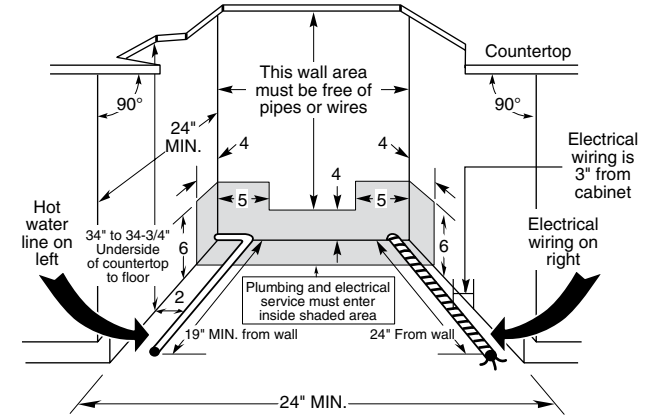
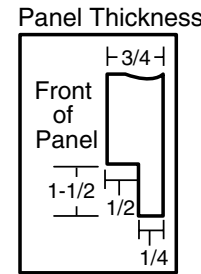
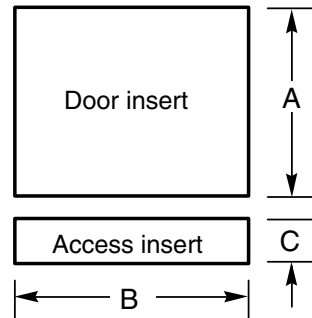
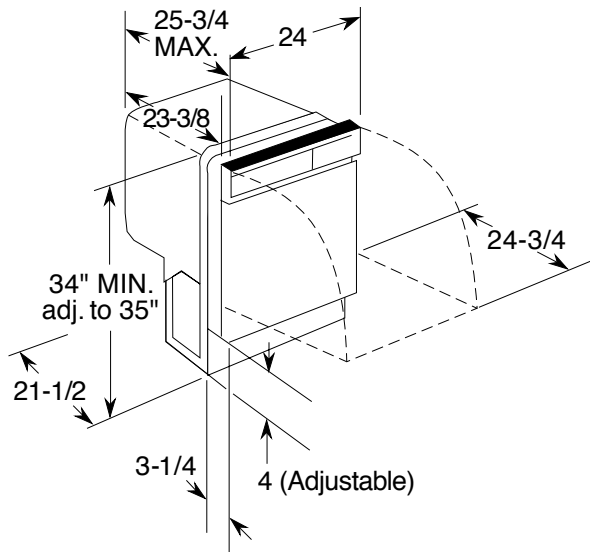


HOTPOINT®

HDA2100R – Hotpoint Built-In Dishwasher

Dishwasher Dimensions (in inches)



When using GPF325
1/4" custom dishwasher
door and access panel kit.

When using GPF375
3/4" custom dishwasher
door and access panel kit.

| Kit | A | B | C | Panel Thickness |
|--------|-----------|----------|------------------|-----------------|
| GPF325 | 18-7/8" | 23-9/16" | 3-11/16" | 1/4" |
| GPF375 | 18-15/16" | 23-5/8" | 4-1/4" to 3-3/4" | 3/4" |

* Bottom of panel must be notched 1-1/2" x 1/2" to clear across panel
 ** Adjustment required to match adjacent cabinet fronts due to leveling leg adjustment, 4" nominal

Note: Dishwasher must not be installed more than 10 feet from sink for proper drainage. All plumbing and electrical work must be in accordance with local codes. Dishwasher includes drain hose and leveling legs.

Installation Information: Before installing, consult installation instructions packed with product for current dimensional data.

Electrical Rating

| | |
|------------------------------------|-----|
| Voltage AC..... | 120 |
| Hertz..... | 60 |
| Total connected load amperage..... | 8.6 |
| Calrod® heater watts max..... | 500 |

For use on adequately wired 120-volt, 15-amp circuit having 2-wire service with a separate ground wire. This appliance must be grounded for safe operation.



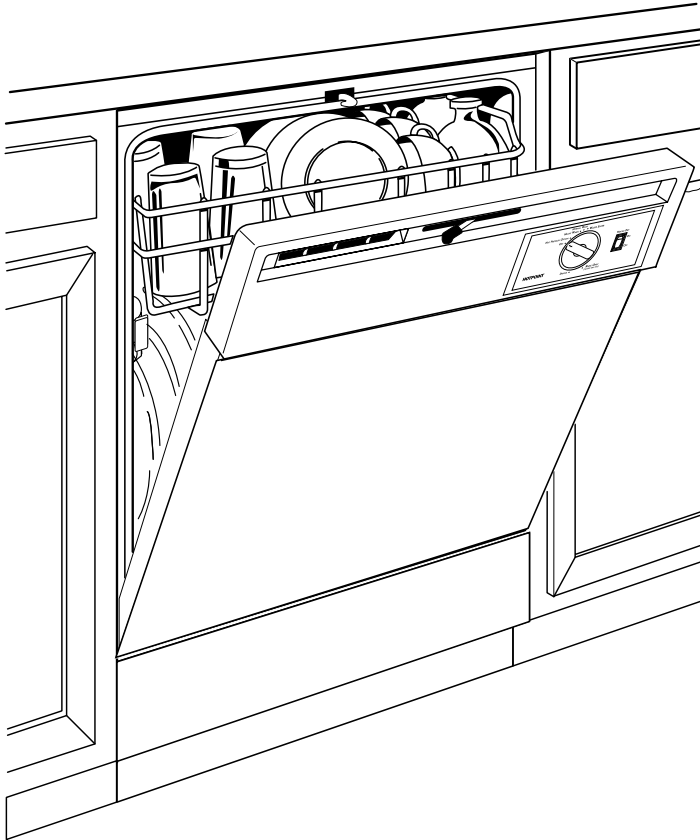
As an ENERGY STAR® partner, GE has determined that this product meets the ENERGY STAR guidelines for energy efficiency.



Listed by Underwriters Laboratories

HOTPOINT®

HDA2100R – Hotpoint Built-In Dishwasher



Features and Benefits

- 4-level PowerScrub™ wash system - Precision water jets and hot temperatures power away tough food stains
- ENERGY STAR® Qualified - Meets or exceeds federal guidelines for energy efficiency for year-round energy and money savings
- 100% water filtration - Water stays clean, so just-washed dishes do, too
- Electronic controls with 5 cycles/2 options - Modern controls make it easy to program the dishwasher
- Short Wash - Great for quickly washing loads of everyday dishes or a quick load of glasses
- HotStart™ option - Ensures that water temperatures remain consistent from the beginning of a cycle to the end
- Piranha™ hard food disposer - This disposal grinds food into tiny particles that are easily washed away
- Model HDA2100RWW – White on white
- Model HDA2100RBB – Black on black
- Model HDA2100RCC – Bisque on bisque