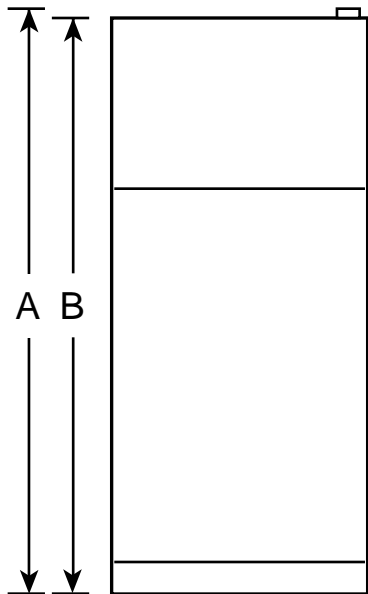


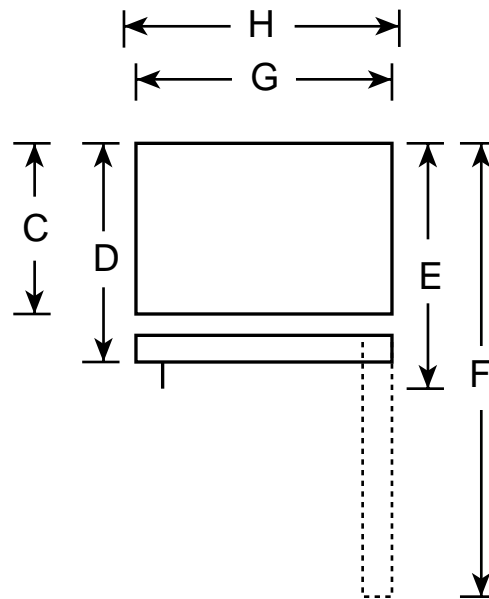
HOTPOINT

CTX16BABAA—Hotpoint 15.6 Cu. Ft. Top-Mount No-Frost Refrigerator

Front View



Top View



Overall Dimensions	Height with hinge (in.) A	64-1/2
	Height without hinge (in.) B	64
	Depth without Doors (in.) C	26
	Depth with Doors (in.) D	28
	Depth plus Handle with Doors Closed (in.) E	28
	Depth with Doors open 90° (in.) F	54-1/2
	Width with Doors Closed (in.) G	28
	Width with Doors open 90° Less Door Handles (in.) H	28-1/2
Air Clearances	Each side (in.)	3/4
	Top (in.)	1
	Back (in.)	1

Note: Before installing, consult installation instructions packed with product for current dimensional data.



Total volume and shelf area are calculated by the Association of Home Appliance Manufacturers' standards.



Listed by Underwriters Laboratories

HOTPOINT

CTX16BABAA—Hotpoint 15.6 Cu. Ft. Top-Mount No-Frost Refrigerator



Features and Benefits

- 15.6 cu ft Capacity (Fresh Food 11.69 cu ft / Freezer 3.86 cu ft)
- Classic White Vegetable/Fruit Crispers
- Snack Pan
- 2 Full-Width Adjustable Wire Everwhite Fresh Food Cabinet Shelves
- 2 Fixed Fresh Food Door Shelves
- Dairy Compartment
- Utility Bin
- Freezer Step Shelf
- 2 Freezer Door Shelves
- Equipped for Optional Automatic Icemaker
- Color-Matched Door Handles
- Model CTX16BABWW - White on white
- Model CTX16BABAA - Almond on almond