

OVER-THE-RANGE & MICROWAVE WALL OVENS

GE Spacemaker™ Rated Number One*



*GE microwaves were ranked #1 by a leading consumer magazine in the category of over-the-range (JVM1660).

The original over-the-range microwave.



We bring good things to life.

The GE Convection/Microwave Oven, two-oven cooking flexibility from a single oven cavity.

Cooks with the speed and
convenience of a microwave...



...and combines the ability to brown and
crisp meats and poultry through fan-driven
convection capability!

- Prepare delicious foods faster.
- Brown, bake, crisp – what you expect
from your conventional oven.
- The perfect solution when you need to prepare
multiple dishes – it's like having an extra oven.

**Discover the added speed, quality, and convenience
a GE Convection/Microwave oven brings to any kitchen.**



GE Profile Performance™ SpacemakerPlus™: Convection/Microwave

These models include • 1.1 cu. ft. oven cavity • 825 watts* • Sensor Cooking Controls for Popcorn, Beverage, Reheat, Canned Vegetables, Fresh Vegetables, and Frozen Vegetables Pads • Combination Microwave/Convection Oven • Sensor Combination (Chicken, Fish, Potato) • Combination Bake Hi/Lo • Combination Roast (probe) • Convection Broil Hi/Lo • Convection Bake • Auto Defrost/Time Defrost • SmartControl System with Interactive Display • Convection Rack/Broil Pan • Temp Cook (probe) • Programmable Nite Light **Note: bold = feature upgrade from previous model**



The Sensor Combination pads take the guesswork out of cooking.



Convection Cooking provides a browned crisp exterior and moist interior.



Combination Bake/Hi uses 30% microwave power, combined with convection cooking for faster cooking results.



GE Profile Performance Series™ SpacemakerPlus™

JVM1190SY Stainless steel

JVM1190WY White on white (not shown)

JVM1190CB Bisque (not shown)

JVM1190AY Almond on almond (not shown)

JVM1190BY Black on black (not shown)

GE Profile™ Spacemaker™: Sensor Cooking

These models include • 1.6 cu. ft. oven cavity • 1000 watts* • Sensor Cooking Controls for Popcorn, Vegetables, Chicken Pieces, Reheat, Beverage, Potatoes, Ground Meats and Fish Fillets Pads • Audio Message Center • Appointment Scheduler • Two Custom Pads • Two Removable Cooking Racks • Temp Cook/Roast (probe) • Clock Saver • Cookbook • CircuWave™ 1000 Cooking System • Turntable On/Off • SmartControl System with Interactive Display • Help Pad • Timer On/Off • Full-View Cooktop Lighting • Programmable Nite Light • Time Cook I & II • Auto Defrost/Time Defrost • Add 30 Seconds • Instant On Controls • Beeper Volume Control • Child Lock-Out • Powerful 300 CFM Two-Speed, High-Capacity Exhaust Fan • Easy Mount Installation **Note: bold = feature upgrade from previous model**



Sensor Controls automatically eliminates guesswork.



Message Center allows you to leave audio messages for your family.



Appointment Scheduler pad allows you to schedule and input future appointments and will remind you as well.



This powerful 300 CFM rated venting system will remove smoke and steam from your cooktop. For more information, see video cassette – Pub. No. 4-V018.



GE Profile™ Spacemaker™

JVM1660SB Stainless steel

JVM1660WB White on white (not shown)

JVM1660CB Bisque (not shown)

JVM1660AB Almond on almond (not shown)

JVM1660BB Black on black (not shown)

*IEC-705 Test Procedure

GE Spacemaker™: Sensor/Convenience Cooking

These models include • Sensor Cooking Controls for Popcorn, Reheat, Vegetables, Beverage and Potato Pads • Time Cook I & II • Delay Start • Reminder • Auto/Time Defrost • Express Cook • Add 30 Seconds • 10 power levels • Instant On Controls • Timer On/Off • Child Lock-Out • Cooking Complete Reminder • Programmable Nite Light • Beeper Volume Control • Turntable On/Off • Easy Mount Installation • Powerful 300 CFM Two-Speed, High-Capacity Exhaust Fan **Note: bold = feature upgrade from previous model**



Sensor Controls automatically eliminates guesswork.



Auto Defrost/Time Defrost automatically sets defrosting time and power level.



Convenience Cooking Controls allow you to defrost, cook or reheat at the touch of a pad.



This powerful 300 CFM rated venting system will remove smoke and steam from your cooktop. For more information, see video cassette – Pub. No. 4-V018.



GE Spacemaker™
JVM1650AB Almond on almond

• **1.6 cu. ft. oven cavity** • **1000 watts*** • Convenience Cooking Controls for Cook and Snack Pads • **CircuWave™ 1000 Cooking System** • **Removable Cooking Rack**



JVM1651AB
Almond on almond (not shown)
• Non-vented model

JVM1650WB
White on white (not shown)

JVM1651WB
White on white (not shown)
• Non-vented model

JVM1650CC
Bisque (not shown)
Available May 2000

JVM1651CC
Bisque (not shown)
• Non-vented model
Available May 2000

JVM1650BB
Black on black (not shown)

JVM1651BB
Black on black (not shown)
• Non-vented model



GE Spacemaker™
JVM1450BC Black on black

• **1.4 cu. ft. oven cavity** • **950 Watts*** • **CircuWave™ Plus Cooking System**



JVM1450WC
White on white (not shown)

*IEC-705 Test Procedure

GE Spacemaker™: Convenience Cooking

These models include • SmartControl System with Interactive Display • Time Cook I & II • Delay Start • Reminder • Auto/Time Defrost • Express Cook • 10 power levels • Instant On Controls • Timer On/Off • Child Lock-Out • Cooking Complete Reminder • Full-View Cooktop Lighting • Easy Mount Installation • Powerful 300 CFM High-Capacity Exhaust Fan

Note: bold = feature upgrade from previous model



Auto Defrost/Time Defrost automatically sets defrosting time and power level.



JVM1640BB
Black on black
(not shown)

JVM1640AB
Almond on almond
(not shown)

GE

Spacemaker™

JVM1640WB White on white

• **1.6 cu. ft. oven cavity** • **1000 Watts*** • Convenience Cooking Controls for Popcorn, Beverage, **Cook** and Reheat Pads • **CircuWave™ 1000** Cooking System • **Turntable On/Off** • **Beeper Volume Control** • **Removable Cooking Rack**



Convenience Cooking Controls allow you to defrost, cook or reheat at the touch of a pad.



JVM1410BC
Black on black
(not shown)

GE

Spacemaker™

JVM1410WC White on white

• **1.4 cu. ft. oven cavity** • **950 Watts*** • Convenience Cooking Controls for Popcorn, **Beverage** and Reheat Pads • **Add 30 Seconds** • **CircuWave™ Plus** Cooking System • Turntable



Add 30 Seconds extends cooking time without the hassle of reprogramming.



JVM1320WB
White on white
(not shown)

GE

Spacemaker™

JVM1320BB Black on black

• **1.3 cu. ft. oven cavity** • **900 Watts*** • Convenience Cooking Controls for Popcorn and Reheat Pads • Turntable



This powerful 300 CFM rated venting system will remove smoke and steam from your cooktop. For more information, see video cassette – Pub. No. 4-V018.

GE Profile Performance™/Profile™ Microwave Wall Ovens

These models include: 1.0 cu. ft. oven cavity • 800 watts* • Express Cook • Sensor Cooking Controls for Popcorn, Reheat, Beverage and Cook pads

Note: bold = feature upgrade from previous model



Convection/Microwave Wall Ovens provide a true built-in appearance. JEB1095 and JEB1055 now fit a 27" or 30" cutout. A trim kit (included with all models) enables the unit to be adapted to a 30" width. The models are available in classic white and black. There is also a stainless steel model available in the GE Profile Performance Series™.

Sensor Microwave/Convection



Shown in 30" width

GE Profile Performance Series™
30" or 27" Convection Microwave Wall Oven

- JEB1095SB** Stainless steel
- **Convection Cooking**
 - **Combination Roast (probe)**
 - **Combination Cooking**

JEB1095WB White on white (not shown)

JEB1095BB Black on black (not shown)



Sensor Controls take the guesswork out of cooking.



Convection cooking produces brown exteriors and moist interiors.

Sensor Microwave



Shown in 27" width

GE Profile™
30" or 27" Microwave Wall Oven

- JEB1055WB** White on white
- **Auto Roast (probe)**

JEB1055BB Black on black (not shown)



JEB1055WB control panel

*IEC-705 Test Procedure

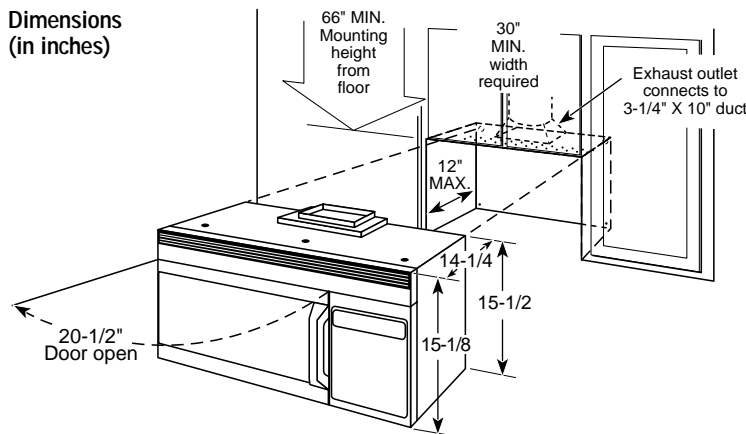
SpacemakerPlus™ Convection/Microwave Ovens

	GE Profile Performance Series™	
	JVM1190SY	JVM1190WY JVM1190CB JVM1190AY JVM1190BY
Capacity		
Oven cavity (cu. ft.)	1.1	1.1
Features		
Watts (IEC-705 Test Procedure)	825	825
Electronic Touch Controls	●	●
SmartControl System w/Interactive Display	●	●
Electronic scrolling digital display w/Clock and AM/PM Pad	●	●
Variable Scroll Speed	●	●
Help Pad	●	●
Concurrent programming	●	●
Display On/Off	●	●
Sensor Controls		
Beverage	●	●
Popcorn	●	●
Reheat	●	●
Vegetables (Canned/Fresh/Frozen)	●	●
Convection Controls		
Convection Broil	Hi/Lo	Hi/Lo
Convection Bake	●	●
Combination Roast	●	●
Sensor Combination	Chicken, Fish, Potato	Chicken, Fish, Potato
Combination Bake	Hi/Lo	Hi/Lo
Express Cook (1-6 minutes)	●	●
Instant On Controls	●	●
Time Cook	I & II	I & II
Add 30 Seconds	●	●
Temp Cook	●	●
Auto Defrost/Time Defrost	●	●
Power levels	10	10
Delay Start	●	●
Surface light	●	●
Night Light	●	●
Programmable Night Light	●	●
Timer On/Off	●	●
Reminder	●	●
Variable Beeper Volume Control	●	●
Cooking Complete Reminder	●	●
Child Lock Out	●	●
Two-speed high-capacity exhaust fan	●	●
Appearance		
Color appearance*	SS	WW CC AA BB
Case color	Stainless Steel	White on white Bisque Almond on almond Black on black
Door Color	Stainless Steel	White on white Bisque Almond on almond Black on black
Designer-style handle	●	●
Weights & Dimensions		
Approx. shipping weight (lbs.)	98	98
WxHxD	Cavity	18 x 8-1/16 x 12-1/2
(in inches)	Exterior	29-15/16 x 15-1/2 x 14-1/4
Power/Ratings		
2450 Frequency (MHz)	●	●
Electrical input @ 120V	Watts	1300
	Amperage	12.5
Accessories		
Convection/Rack broil pan	●	●
Warranty		
Full One-Year In Home Warranty**	●	●
Limited Nine-Year Magnetron Warranty** (10 years total)	●	●

*SS = Stainless steel, WW = White on white, CC = Bisque, AA = Almond on almond, BB = Black on black.
**See written warranty for details.



Dimensions (in inches)



Ventilation Options

The SpacemakerPlus™ microwave/convection and Spacemaker microwave ovens are designed for adaptation to the following three types of ventilation:

Outside Exhaust (Vertical)—as shown above)

Outside Exhaust (Horizontal)

Recirculating (Non-vented ductless—see Filter Kit Drawing, order JX81 or JX81A)

Requires 120V grounded outlet. Electrical receptacle must be located in cabinet above SpacemakerPlus™ microwave/convection and Spacemaker microwave ovens. No additional wiring, venting or cabinet rebuilding necessary in many cases. Complete detailed, easy-to-follow installation instructions and convenient full-size templates are packed with product.

Important: When installing these ovens over a range, allow minimum of 2" from bottom of microwave oven to top of range backguard to allow for removal of light covers.

Optional Accessories (Available at additional cost)

Filler Panel Kits

JX40WH—White
JX42WH—White
JX46WH—White
JX48WH—White
JX40CT—Bisque
JX48CT—Bisque
JX40AL—Almond
JX42AL—Almond
JX48AL—Almond
JX41—Black
JX42BL—Black
JX46BL—Black
JX48BL—Black

When replacing a 36" or 42" range hood, this kit fills in the additional width to provide a custom built-in appearance. For installation between cabinets only; not for end-of-cabinet installation. Each kit contains two 3"-wide filler panels. Two kits are needed for a 42" opening.

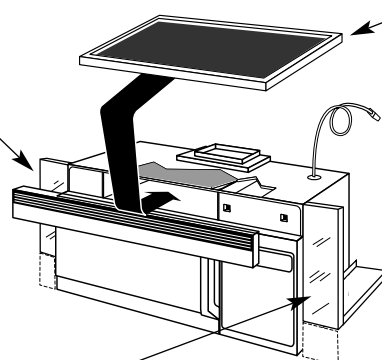
Filter Kits

JX81A—Recirculating Charcoal Filter Kit

To be used when the Spacemaker microwave oven cannot be vented to the outside.

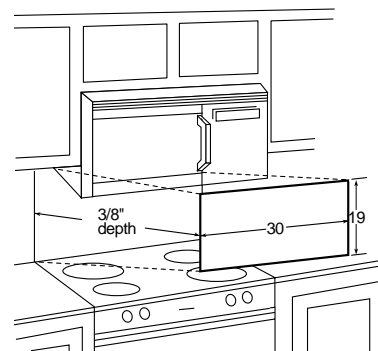
JX81—Recirculating Charcoal Filter Kit

To be used when the SpacemakerPlus™ microwave/convection oven cannot be vented to the outside.



Model	Recirculating Charcoal Filter Kit	Filler Panel Kit	Decorative Panel Kit
JVM1190SY	JX81	JX41/42BL	JX22SS
JVM1190WY	JX81	JX40WH/42WH	JX22SS
JVM1190CB	JX81	JX40CT	JX22SS
JVM1190AY	JX81	JX40AL/42AL	JX22SS
JVM1190BY	JX81	JX41/42BL	JX22SS
JVM1660SB	JX81A	JX48BL	JX22SS
JVM1660WB	JX81A	JX48WH	JX22SS
JVM1660CB	JX81A	JX48CT	JX22SS
JVM1660AB	JX81A	JX48AL	JX22SS
JVM1660BB	JX81A	JX48BL	JX22SS
JVM1650WB	JX81A	JX48WH	JX22SS
JVM1650CC	JX81A	JX48CT	JX22SS
JVM1650AB	JX81A	JX48AL	JX22SS
JVM1650BB	JX81A	JX48BL	JX22SS
JVM1640WB	JX81A	JX48WH	JX22SS
JVM1640AB	JX81A	JX48AL	JX22SS
JVM1640BB	JX81A	JX48BL	JX22SS
JVM1450WC	JX81A	JX40WH/46WH	JX22SS
JVM1450BC	JX81A	JX41/46BL	JX22SS
JVM1410WC	JX81A	JX40WH/46WH	JX22SS
JVM1410BC	JX81A	JX41/46BL	JX22SS
JVM1320WB	JX81A	JX40WH	JX22SS
JVM1320BB	JX81A	JX41	JX22SS

This information is not intended to be used for installing unit described. Before installing, consult installation instructions packed with product/kit for current dimensional data.



JX22SS—Stainless Steel Decorative Panel Kit

When replacing a Hi/Low range with a SpacemakerPlus™ microwave/convection oven or Spacemaker over a range model, this panel kit fills in the area between the microwave and range left by the Hi/Low model.

Spacemaker XL™ Over-The-Range Microwave Ovens

	GE Profile™		GE						
	JVM1660SB JVM1660WB JVM1660CB	JVM1660AB JVM1660BB	JVM1651WB*/CC* JVM1650WB/CC	JVM1651AB* JVM1650AB	JVM1651BB* JVM1650BB	JVM1640WB JVM1640AB/BB	JVM1450WC JVM1450BC	JVM1410WC JVM1410BC	JVM1320WB JVM1320BB
Capacity									
Oven cavity (cu. ft.)	1.6	1.6	1.6	1.6	1.6	1.6	1.4	1.4	1.3
Features									
Watts (IEC-705 Test Procedure)	1000	1000	1000	1000	1000	1000	950	950	900
Electronic touch controls	•	•	•	•	•	•	•	•	•
SmartControl System w/Interactive Display	•	•	•	•	•	•	•	•	•
Electronic scrolling digital display	•	•	•	•	•	•	•	•	•
Demo Mode	•	•	•	•	•	•	•	•	•
Clock and AM/PM Pad	•	•	•	•	•	•	•	•	•
Clock Saver	•	•	•	•	•	•	•	•	•
Variable Scroll Speed	•	•	•	•	•	•	•	•	•
Help Pad	•	•	•	•	•	•	•	•	•
Concurrent programming	•	•	•	•	•	•	•	•	•
Display On/Off	•	•	•	•	•	•	•	•	•
Sensor Controls									
Beverage	•	•	•	•	•	•	•	•	•
Chicken	•	•	•	•	•	•	•	•	•
Fish	•	•	•	•	•	•	•	•	•
Meats	•	•	•	•	•	•	•	•	•
Popcorn	•	•	•	•	•	•	•	•	•
Potatoes	•	•	•	•	•	•	•	•	•
Reheat	•	•	•	•	•	•	•	•	•
Vegetables	•	•	•	•	•	•	•	•	•
Appointment Scheduler Pad	•	•	•	•	•	•	•	•	•
Custom Pads (2)	•	•	•	•	•	•	•	•	•
Message Center	•	•	•	•	•	•	•	•	•
Convenience Controls									
Beverage Pad	•	•	•	•	•	•	•	•	•
Cook Pad	•	•	•	•	•	•	•	•	•
Popcorn Pad	•	•	•	•	•	•	•	•	•
Reheat Pad	•	•	•	•	•	•	•	•	•
Snacks Pad	•	•	•	•	•	•	•	•	•
Express Cook (1-6 min.)	•	•	•	•	•	•	•	•	•
Instant On Controls	•	•	•	•	•	•	•	•	•
Time Cook	I & II	I & II	I & II	I & II	I & II	I & II	I & II	I & II	I & II
Add 30 Seconds	•	•	•	•	•	•	•	•	•
Temp. Cook/Roast (Probe)	•	•	•	•	•	•	•	•	•
Auto Defrost/Time Defrost	•	•	•	•	•	•	•	•	•
Power levels	10	10	10	10	10	10	10	10	10
Delay Start	•	•	•	•	•	•	•	•	•
Reminder	•	•	•	•	•	•	•	•	•
CircuWave™ 1000 Cooking System	•	•	•	•	•	•	•	•	•
CircuWave™ Plus Cooking System	•	•	•	•	•	•	•	•	•
Two Cooking Racks	•	•	•	•	•	•	•	•	•
Dual Rack	•	•	•	•	•	•	•	•	•
Turntable On/Off	•	•	•	•	•	•	•	•	•
Full-View cooktop lighting	•	•	•	•	•	•	•	•	•
Night light	•	•	•	•	•	•	•	•	•
Programmable nite light	•	•	•	•	•	•	•	•	•
Timer On/Off	•	•	•	•	•	•	•	•	•
Beeper sound level control	•	•	•	•	•	•	•	•	•
Cooking Complete Reminder	•	•	•	•	•	•	•	•	•
Child lock out	•	•	•	•	•	•	•	•	•
High-capacity exhaust fan	300 CFM	300 CFM	300 CFM	300 CFM	300 CFM	300 CFM	300 CFM	300 CFM	On/Off
Easy Mount Installation	•	•	•	•	•	•	•	•	•
Appearance									
Color appearance**	SS/WW/CC	AA/BB	WW/CC	AA	BB	WW/AA/BB	WW/BB	WW/BB	WW/BB
Case color	Stainless/White/Bisque	Almond/Black	White/Bisque	Almond	Black	White/Almond/Black	White/Black	White/Black	White/Black
Designer-style handle	•	•	•	•	•	•	•	•	•
Big View window	•	•	•	•	•	•	•	•	•
Weights & Dimensions									
Approx. shipping weight (lbs.)	67	67	67	67	67	67	70	67	73
WxHxD Cavity	20-1/4 x 9-9/32 x 14-13/32						††		
(in inches) Exterior †	29-7/8 x 16-15/32 (rear) x 15-1/16						††		
Power/Ratings									
2450 Frequency (MHz)	•	•	•	•	•	•	•	•	•
Electrical input Watts	1480	1480	1480	1480	1480	1480	1480	1480	1460
@ 120V Amperage	15	15	15	15	15	15	15	15	15
Accessories									
Cookbook	•	•	•	•	•	•	•	•	•
Warranty									
Full One-Year In-Home Warranty†	•	•	•	•	•	•	•	•	•
Limited Nine-Year Magnetron Warranty‡	10 years total	10 years total	10 years total	10 years total	10 years total	10 years total	10 years total	10 years total	5 years total

* Non-vented model.

** SS = Stainless steel, WW = White on white, CC = Bisque, AA = Almond on almond, BB = Black on black.

† Exterior dimensions: depth excludes handle.

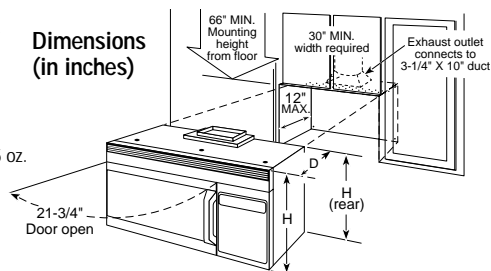
†† Cavity: 19-5/16 x 9-5/16 x 13-3/16 Exterior: 29-7/8 x 16-1/2 (rear) x 14-13/16.

††† Cavity: 19 x 9-1/8 x 12-1/2 Exterior: 29-7/8 x 16-1/2 (rear) x 14.

‡ See warranty for details.

NOTE: Convenience Popcorn Pad designed for use with 3 packages sizes — 3.5, 3.0 and 1.75 oz.

This information is not intended to be used for installing unit described. Before installing, consult installation instructions packed with product/kit for current dimensional data.



Built-In Microwave Ovens

	GE Profile Performance Series™			GE Profile™	
	Microwave/Convection Oven			Microwave Oven	
	JEB1095SB	JEB1095WB	JEB1095BB	JEB1055WB	JEB1055BB
Capacity					
Oven cavity (cu. ft.)	1.0	1.0	1.0	1.0	1.0
Features					
Watts (IEC-705 Test Procedure)	800	800	800	800	800
Electronic Touch Controls	●	●	●	●	●
Electronic digital display w/clock	●	●	●	●	●
Beverage	Sensor	Sensor	Sensor	Sensor	Sensor
Cook	Sensor	Sensor	Sensor	Sensor	Sensor
Popcorn	Sensor	Sensor	Sensor	Sensor	Sensor
Reheat	Sensor	Sensor	Sensor	Sensor	Sensor
Convection Cook	●	●	●		
Combination Cook	●	●	●		
Combination Roast (Probe)	●	●	●		
Express Cook	●	●	●	●	●
Instant On Controls	●	●	●	●	●
Time Cook	I & II	I & II	I & II	I & II	I & II
Add 30 Seconds	●	●	●	●	●
Temp Cook/Hold (Probe)	●	●	●	●	●
Auto Roast (Probe)				●	●
Auto Defrost/Time Defrost	●	●	●	●	●
Power levels	10	10	10	10	10
Delay/Start Reminder	●	●	●	●	●
Minute Pad	●	●	●	●	●
Program cooking	5 Stage	5 Stage	5 Stage	5 Stage	5 Stage
Kitchen timer	99-M./99-S. Digital	99-M./99-S. Digital	99-M./99-S. Digital	99-M./99-S. Digital	99-M./99-S. Digital
Variable Beeper Volume	●	●	●	●	●
Cooking Complete Reminder	●	●	●	●	●
Appearance					
Color appearance*	SS	WW	BB	WW	BB
Designer-style handle	●	●	●	●	●
Weights & Dimensions					
Approx. shipping wt. (lbs.)	84	84	84	75	75
WxHxD					
(in inches)	Cavity ← 18x8-3/16x11-1/2 →			Exterior † ← 26-3/4x18-5/8x16-3/8 →	
Power/Ratings					
2450 Frequency (MHz)	●	●	●	●	●
Electrical input	1450	1450	1450	1450	1450
@ 120V	13.0	13.0	13.0	13.0	13.0
Accessory					
Deluxe cookbook	●	●	●	●	●
Wire oven rack	●	●	●	●	●
30" trim kit (included)	●	●	●	●	●
Warranty					
Full One-Year In-Home Warranty**	●	●	●	●	●
Limited Nine-Year Magnetron Warranty** (10 years total)	●	●	●	●	●

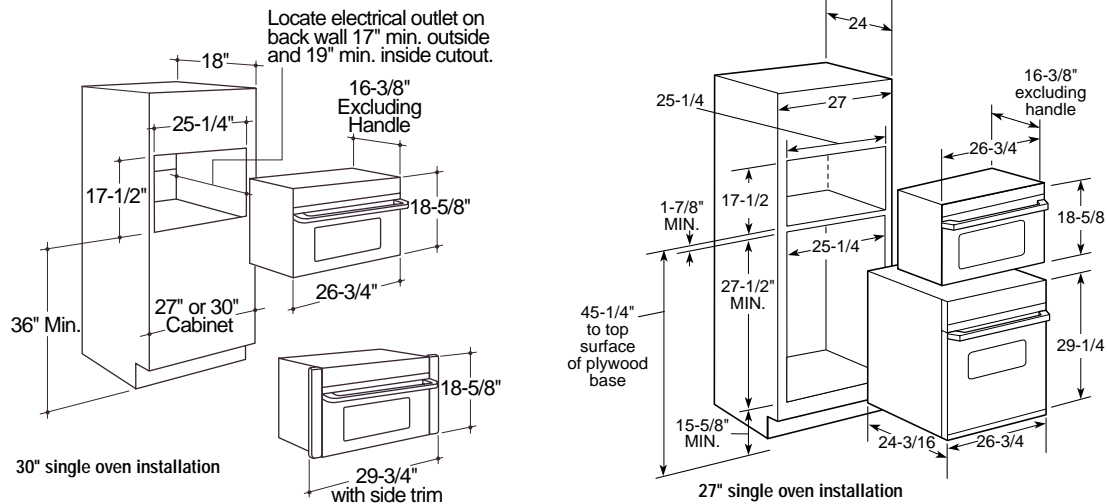
*SS = Stainless steel, WW = White on white, BB = Black on black.

**See written warranty for details.

†Exterior dimensions: depth excludes handle.



Cut-Out and Dimensional Information (in inches)



This information is not intended to be used for installing unit described. Before installing, consult installation instructions packed with product/kit for current dimensional data.

Combining Style, Flexibility & Great Features.



Before

JE1640WB

GE – The Original Spacemaker™

In 1979, GE invented the Spacemaker™ over-the-range microwave. A powerful, two-speed exhaust fan, rated 300 CFM, and cooktop light, integrated into the base of the microwave oven eliminating the need for a range hood. Installing an over-the-range microwave increases valuable countertop space. GE innovation combined with space-saving design, exactly what you've come to expect.



After

JVM1660WB

GE has a microwave for every kitchen.



Microwave Wall Ovens

For more room in the kitchen and a true built-in look, GE offers the microwave wall oven. A Profile Performance™ stainless steel convection model was introduced last fall. All microwave wall ovens are available in 27" and 30" applications.



Spacemaker™ Over-The-Range Microwave Ovens

These microwaves complete your cooking center – and make the most of your time and kitchen space. The built-in vent helps keep the kitchen free of smoke and odors, and eliminates the need for a hood vent.



Countertop Microwave Ovens

GE's countertop microwave ovens complete any kitchen. Build them into a wall, hang them from a cabinet or set them on a shelf! These microwave ovens offer the conveniences today's consumers want – colors, sizes and feature choices.

Industry Leading Service Support From —



America's
#1
Preferred
Appliance
Brand

GE is the appliance brand most often mentioned among the brands rated as offering the best products and services in America.*

*Source: *Louis Harris Poll* – 1999

**The GE Answer Center®
Information Service 800.626.2000.
Questions? Call any time.**

Before or after you buy any GE product, ask us about the features, product comparisons, pricing and where to find it. Call us any time. We never close.

**GE Genuine Parts 800.626.2002.
Enhance, upgrade or fix it.
Check out our accessories!**

Accessories can make great GE products even better. Replacement parts for GE and most other brands, too. Fast delivery, convenient, direct.

**GE Appliance Service 800.432.2737
(800.GE.CARES)**

If you ever need product service, we'll come where and when you want – at your convenience. We're the largest manufacturer-owned service organization in the appliance industry. Same or next day service in most cases. Buy with confidence from GE.

Visit us at www.geappliances.com



GE Appliances

General Electric Company
Louisville, Kentucky 40225
www.geappliances.com

Pub. No. 4-S230
PC21549