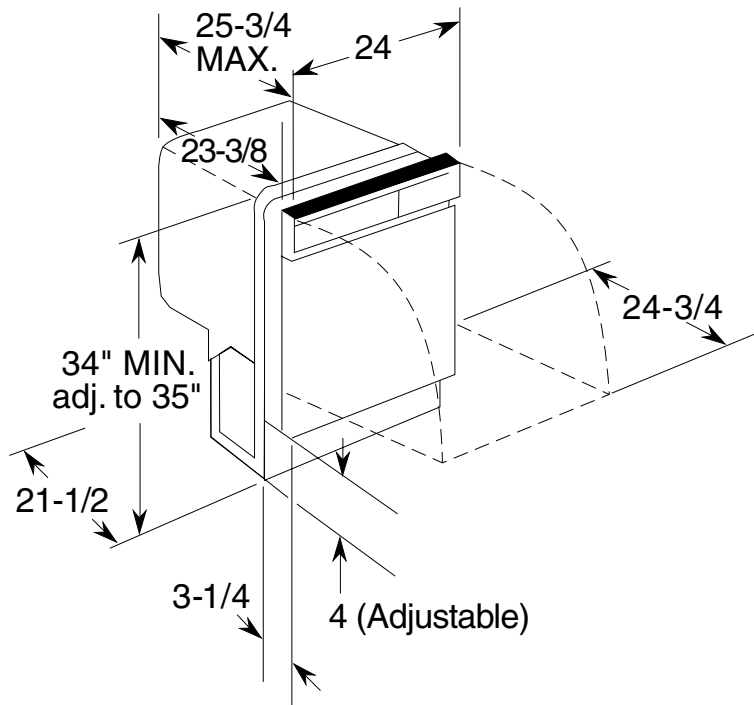


HOTPOINT®

HDA3740G – Hotpoint Built-In Dishwasher

Dishwasher Dimensions (in inches)



Electrical Rating

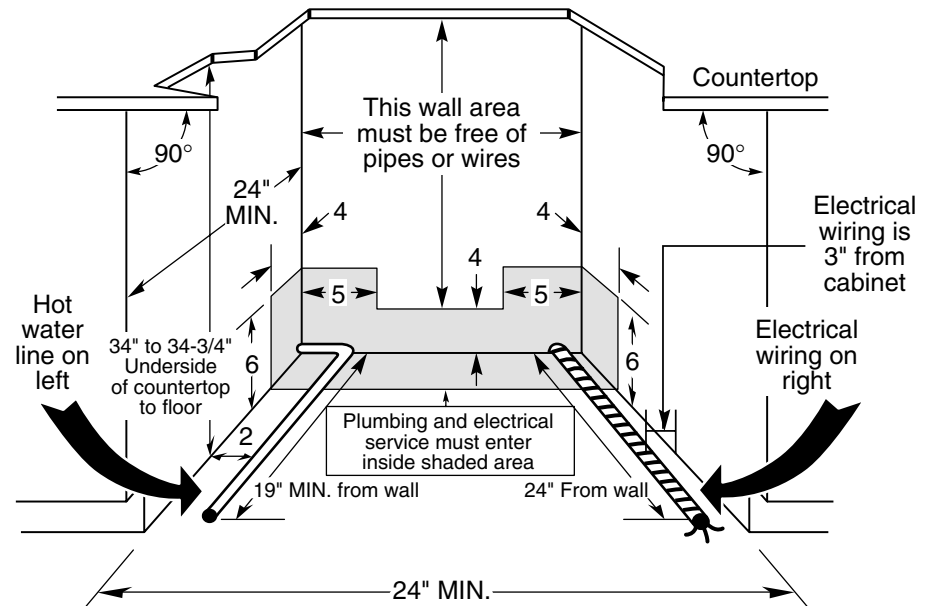
Voltage AC	120
Hertz	60
Total connected load amperage	.62
Calrod® heater watts	500

For use on adequately wired 120-volt, 15-amp circuit having 2-wire service with a separate ground wire. This appliance must be grounded for safe operation.

Specification Created 5/04

450150

Installation Information (in inches)



Note: Dishwasher must not be installed more than 10' from sink for proper drainage. All plumbing and electrical work must be in accordance with local codes. Dishwasher includes drain hose and leveling legs.

Installation Information: Before installing, consult installation instructions packed with product for current dimensional data.



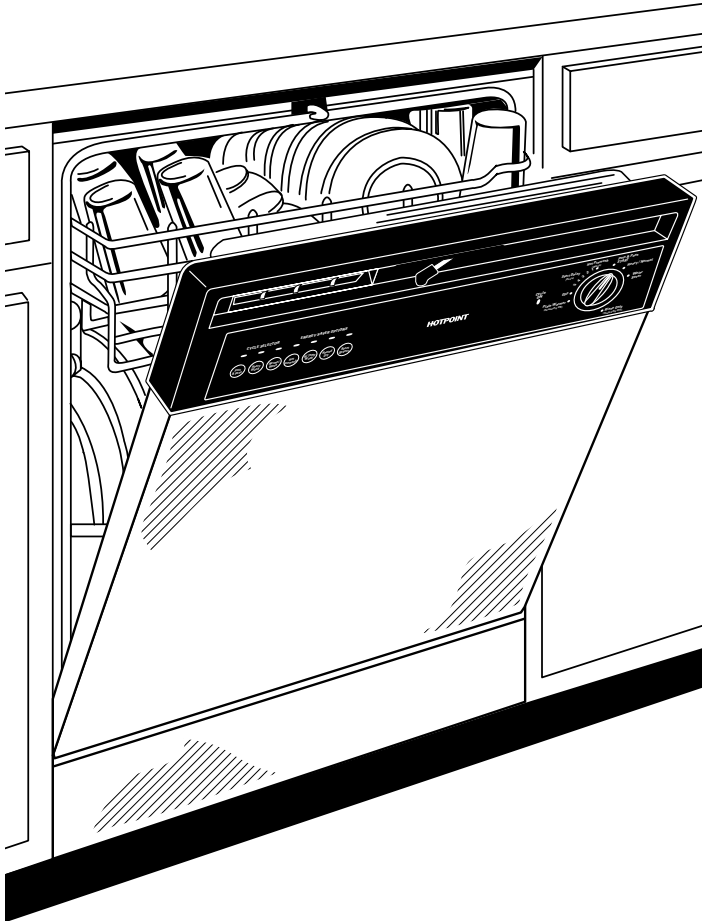
As an ENERGY STAR® partner, GE has determined that this product meets the ENERGY STAR guidelines for energy efficiency.



Listed by Underwriters Laboratories

HOTPOINT®

HDA3740G – Hotpoint Built-In Dishwasher



Features and Benefits

- Trimless door design – Features sleek, classic panels for an instant built-in look
- Power Wash II system – Provides three-level wash action with powerful water jets to effectively remove food soils
- Hot PreWash option – Preheats water before the main wash cycle for excellent performance time after time
- QuietDesign™ sound package – Reduces washing noises with a blanket of insulation and the GE QuietPower™ motor
- TouchTap™ controls – Create a touchpad that's easy to use and easy-to-clean
- 1-5 hour delay start – Program the dishwasher to start the wash cycle at a more convenient time or during off-peak hours when utilities are at reduced rates
- Deluxe Plus upper rack – Provides easy loading of tall items
- Deluxe Lower rack – Features curved tines to accommodate stoneware, large plates or broiler pans
- Model HDA3740GSA – Silver metallic
- Model HDA3700GWW – White on white
- Model HDA3700GBB – Black on black
- Model HDA3700GCC – Bisque on bisque