

PTWN6250M GE Profile™ 3.6 DOE cu. ft. stainless steel capacity washer

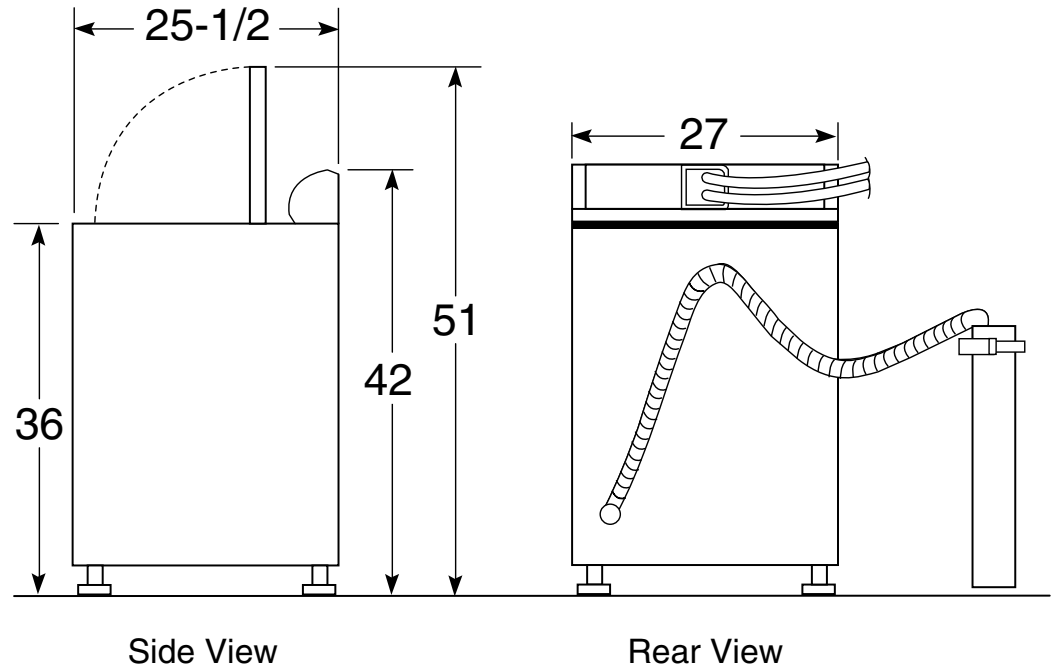
Dimensions and Installation Information (in inches)

Circuit Requirements: An individual, properly-grounded branch circuit, with a three-prong grounding-type receptacle, protected by a 15 or 20 amp circuit breaker or a time-delay fuse, is required.

Electrical Rating: 120V, 60Hz, 10A

Note: Washer wall outlet must be located within 36" of service code entry. Wall outlet must not be located behind dryer.

Installation Information: Before installing, consult installation instructions packed with product for current dimensional data.



For answers to your Monogram®, GE Profile™ or GE® appliance questions, visit our website at geappliances.com or call GE Answer Center® service, 800.626.2000.

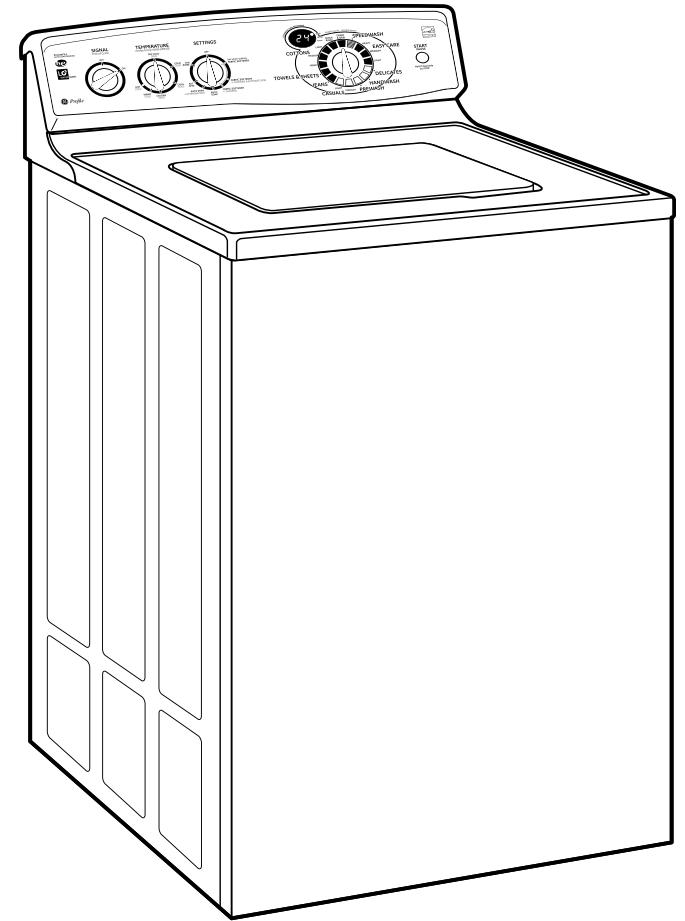


PTWN6250M

GE Profile™ 3.6 DOE cu. ft. stainless steel capacity washer

Features and Benefits

- ENERGY STAR® qualified and CEE Tier II rated - Meets or exceeds federal guidelines for energy efficiency for year-round energy and money savings
- HydroWave wash system with HE LoWater wash and Infusor™ - Utilizes the concentrated power of HE detergent, requiring less water than a traditional topload washer to get clothes clean
- PreciseFill - Washer will automatically measure the load size and add just the right amount of water
- 700 RPM spin speed - Fast speeds remove more water during the spin cycle to minimize drying time
- GE Profile warranty - Offers a lifetime warranty on the stainless tub and a limited ten-year parts warranty, providing peace of mind and dependability See written warranty for details
- Speed Wash - Provides a quick wash for lightly soiled items that are needed in a hurry
- Specialty cycles - Pre-set cycles are designed to provide superior care for specific items
- Quiet-By-Design™ - Special insulating materials help muffle operating noise
- Model PTWN6250MWT - White



Modified Energy Factor (MEF)	2.20
Water Factor (WF)	4.50



imagination at work



ENERGY STAR