

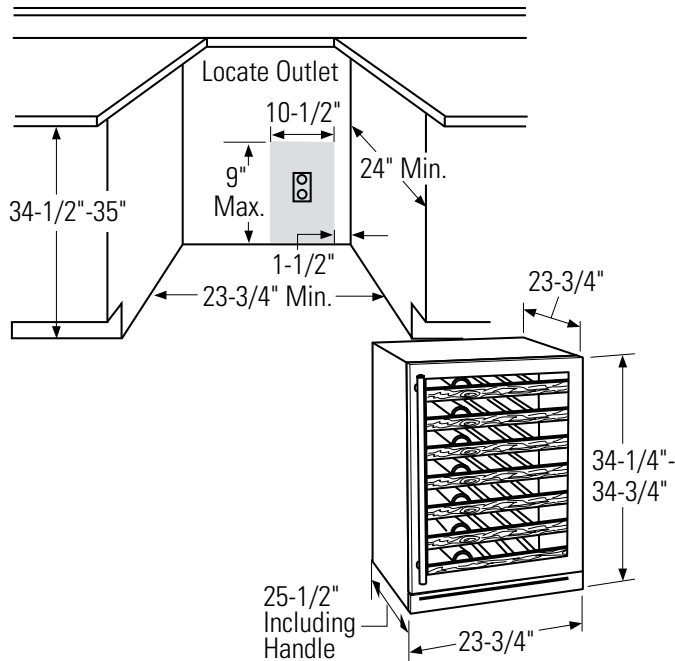


Monogram®

ZDWR240PBS – GE Monogram Wine Reserve with Digital Controls

Dimensions and Specifications (in inches)

Installation Space



The cutout depth must be 24"

The cutout dimensions shown allow for a full door swing and access to the pull-out racks when installed as a built-in.

- The wine reserve can be free-standing.

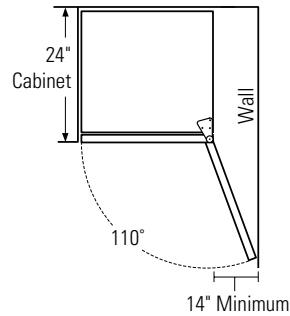
Note: If installing between frameless cabinets, a 1/2" wide filler strip or side panel may be required. The filler strip will act as a spacer between the door case and adjacent cabinet and will prevent interference with cabinet door swing. The width of the opening must include filler panels.

- Wine reserve is vented at the front toekick to allow built-in undercounter installation.
- Door swing is reversible.

Additional Specifications:

- A 120 volt 60Hz., 15 or 20 amp power supply is required. An individual property grounded branch circuit or circuit breaker is recommended. Install a properly grounded 3-prong electrical receptacle recessed into the back wall as shown. Electrical must be located on rear wall as shown. **Note:** GFI (ground fault interrupter) is not recommended.

Product Clearances



All models are factory set for a 110° door swing.

For a minimum 90° door swing:

- Allow 4" min. clearance to wall on the hinge side.

For a full 110° door swing:

- Allow 14" min. clearance to wall on the hinge side.



For answers to your Monogram®, GE Profile™ or GE® appliance questions, visit our website at GEAppliances.com or call GE Answer Center® service, 800.626.2000.



Monogram®

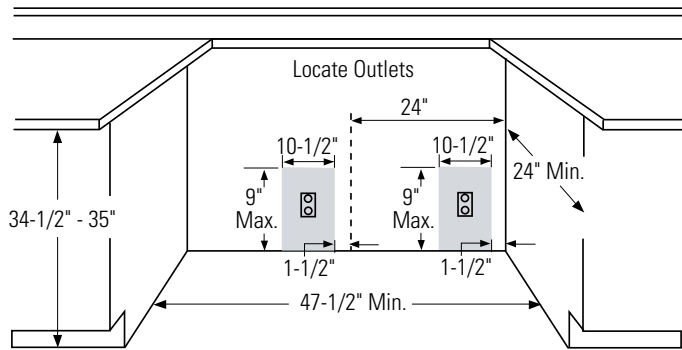
ZDWR240PBS – GE Monogram Wine Reserve with Digital Controls

Dimensions and Specifications (in inches)

For a complete food storage center, install two Monogram refrigeration modules side-by-side.

Note: Reversible door swing on wine chillers/reserves and beverage centers only. See below for combination cutout dimensions.

Important Note: Products must operate from separate, properly grounded receptacles.



Note: Additional cutout width may be required for models with custom panels.

Grounding the Wine Reserve

IMPORTANT – (Please read carefully)

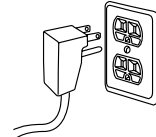
FOR PERSONAL SAFETY, THIS APPLIANCE MUST BE PROPERLY GROUNDING.

The power cord of this appliance is equipped with a 3-prong (grounding) plug which mates with a standard 3-prong (grounding) wall receptacle to minimize the possibility of electric shock hazard from this appliance.

Have the wall outlet and circuit checked by a qualified electrician to make sure the outlet is properly grounded.

When a standard 2-prong wall outlet is encountered, it is your personal responsibility and obligation to have it replaced with a properly grounded 3-prong wall out.

DO NOT, UNDER ANY CIRCUMSTANCES, CUT OR REMOVE THE THIRD (GROUND) PRONG FROM THE POWER CORD.



DO NOT USE AN ADAPTER PLUG TO CONNECT THE REFRIGERATOR TO A 2-PRONG OUTLET.

DO NOT USE AN EXTENSION CORD WITH THIS APPLIANCE.

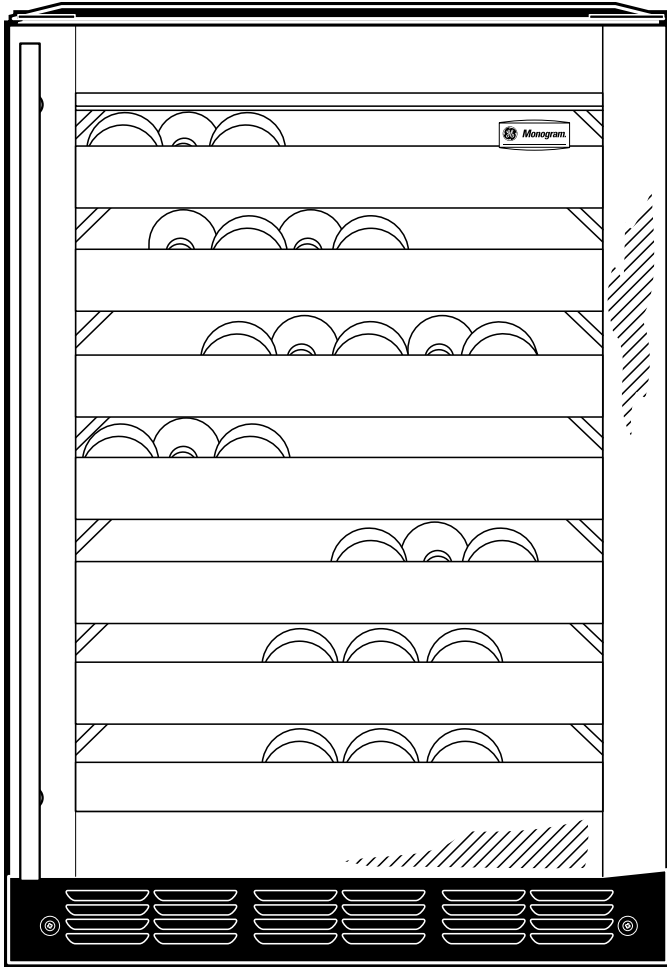


Listed by
Underwriters
Laboratories



Monogram®

ZDWR240PBS – GE Monogram Wine Reserve with Digital Controls



Features and Benefits

- Electronic Adjustable Temperature Control – Offers a range of temperatures for precise chilling
- Red or White Wine Temperature Setting – Maintains the ideal temperature for aging or serving wine
- LED Temperature Display – Allows you to monitor the temperature at a glance
- Full-Extension Sliding Wine Racks – Position bottles either horizontally or vertically to maximize space
- Unfinished Heart-Of-Cherry Wood Shelf Fronts – Can be finished to complement surrounding cabinetry
- See-Through Glass Door –Affords a full view of contents
- Soft Interior Lighting – Automatically illuminates when the door is open, but can be activated by an internal on/off switch
- Stainless Steel Tubular Handle – Designed to coordinate with other Monogram appliances
- Reversible Door Swing – Easily reversed to left or right door swing as needed
- Model ZDWR240PBS –Stainless steel