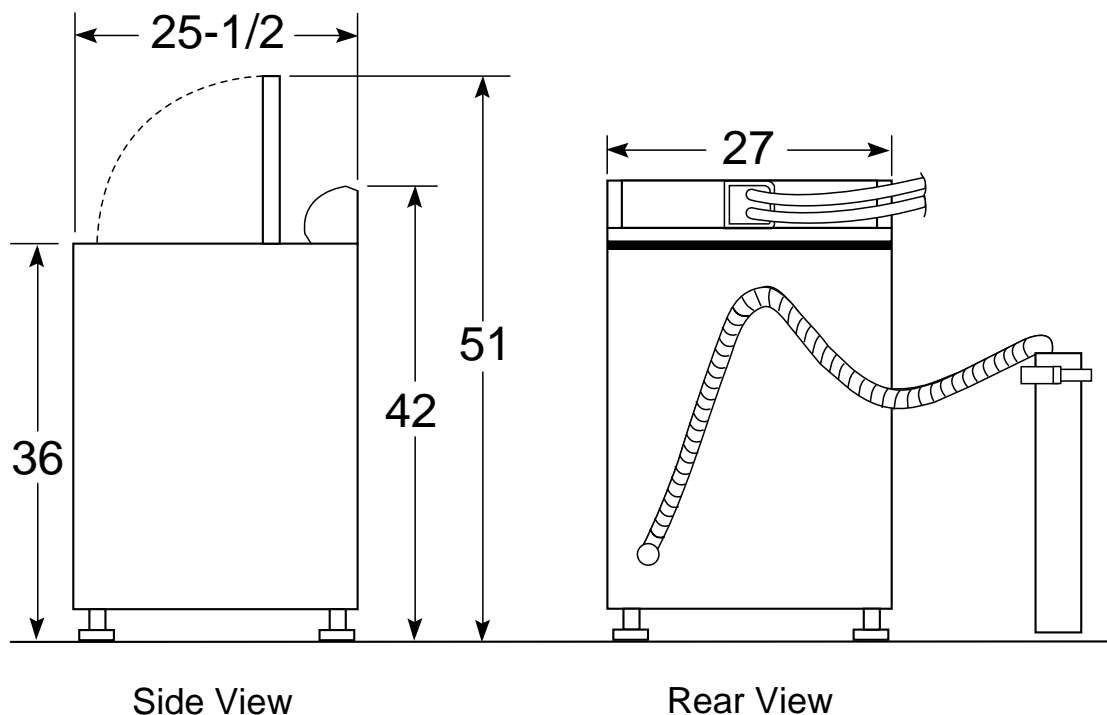




## VVSR1070DWW – Hotpoint 3.2 Cu. Ft. Super Capacity Washer

### Washer Dimensions (in inches)



**Circuit Requirements:** An individual, properly-grounded branch circuit, with a three-prong grounding-type receptacle, protected by a 15 or 20 amp circuit breaker or a time-delay fuse, is required.

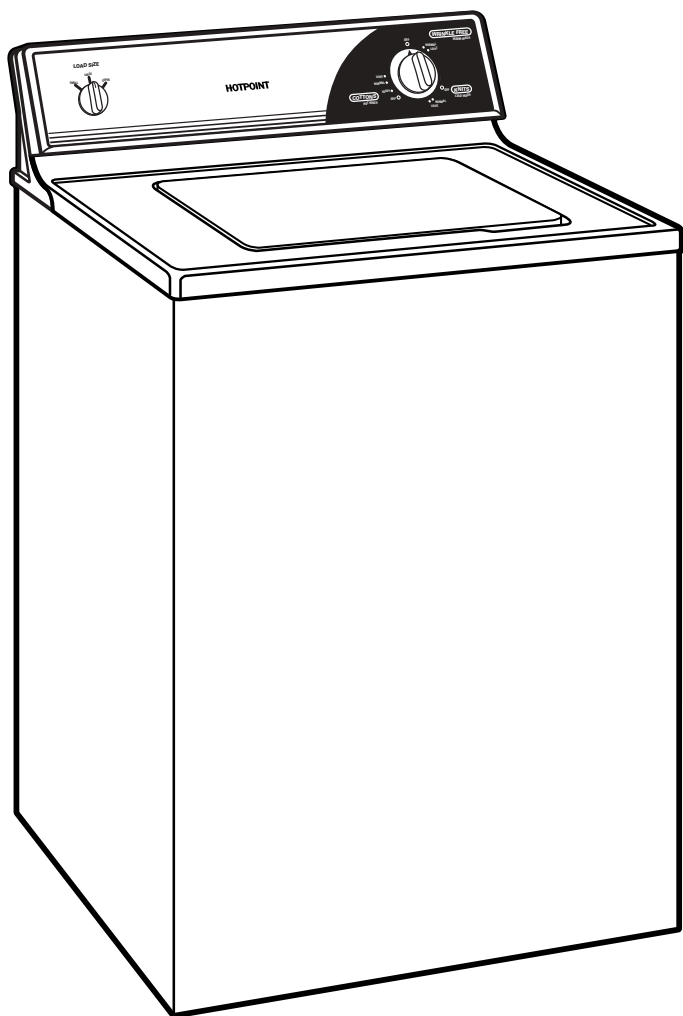
**Electrical Rating:** 115V, 60Hz, 10 Amps

**Installation Information:** Before installing, consult installation instructions packed with product for current dimensional data.

**Washer Note:** Washer wall outlet must be located within 36" of service cord entry. Wall outlet must not be located behind dryer.

# HOTPOINT®

## VVSR1070DWW – Hotpoint 3.2 Cu. Ft. Super Capacity Washer



### Features and Benefits

- Rotary electromechanical controls – Allow fast, easy cycle selection.
- One wash/spin speed – Spins clothes at a consistent speed to remove moisture from clothes.
- Seven wash cycles – Convenient, preprogrammed setting for everyday fabrics.
- Three Water Levels – Minimize water waste.
- FlexCare™ Agitator – Provides gentle, yet effective washing action.
- Quiet-By-Design™ – Engineered for quiet operation.
- Three wash/rinse temperatures – Offer better wash results and longer fabric life.
- Steel Drive Transmission – Provides smooth, quiet operation with all-metal gears.
- Auto Balance Suspension System – Handles the heaviest loads, without banging or walking.
- Model VVSR1070DWW – White on white