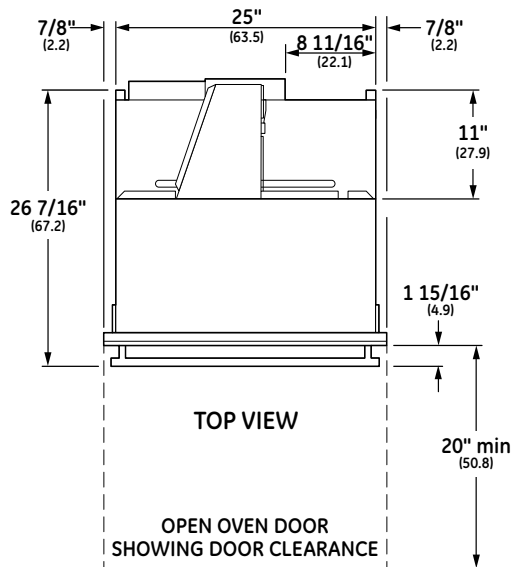
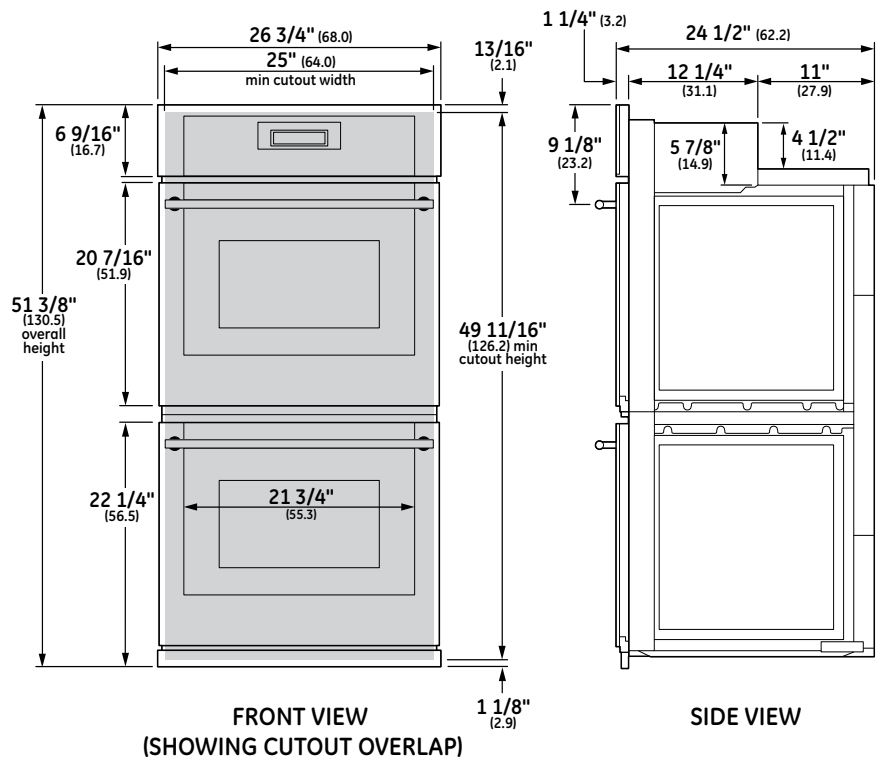




OVERALL DIMENSIONS



SPECIFICATIONS

Overall Width	26 3/4" (67.9 cm)
Overall Height	51 3/8" (130.5 cm)
Overall Depth Including Handle	26 7/16" (67.2 cm)
Oven Door Clearance	20" (50.8 cm) Min
Overall Oven Interior Capacity	3.8 cu. ft. (107.6 l) each oven
Oven Interior Dimensions (W x H x D) each oven	21 1/2" x 17" x 18 1/4" (54.6 cm x 43.2 cm x 46.4 cm)
Minimum Cabinet Width*	27" (68.6 cm)
Minimum Cabinet Depth*	24" (61.0 cm)
Minimum Base Support	300 lbs (135 kg)
Cutout Width*	25" (63.5 cm) Min 25 1/4" (64.1 cm) Max
Cutout Height*	49 11/16" (126.2 cm) Min 50 1/8" (127.3 cm) Max
Cutout Depth*	23 1/2" (59.7 cm) Min
Volts/Hertz/Amps	240/208 V AC, 60 Hz, 40A
Conduit Length	48", 72" available special order: WB18T10398
Electrical Rating	5.1 kW at 208V 6.8 kW at 240V
Shipping Weight	164 lbs (74 kg 389 g)

* Additional space will be needed for flush installation.

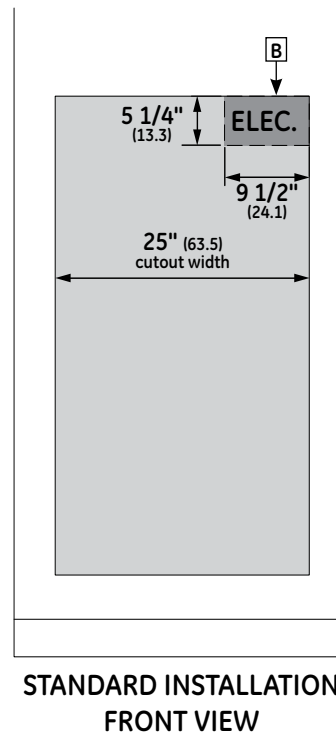
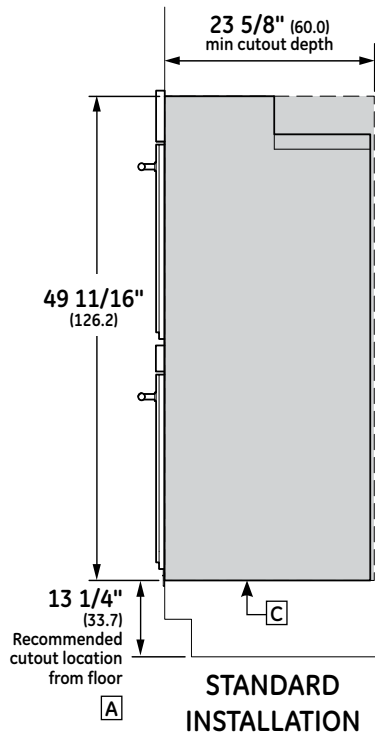
ATTENTION ELECTRICIAN:

A 240/208V, 60Hz, 40 Amp circuit is required. An individual properly grounded branch circuit or circuit breaker is required. Hardware junction box is required for built-in product.

Dimensions in parentheses are in centimeters unless otherwise noted. Actual product dimensions may vary due to manufacturing tolerances.



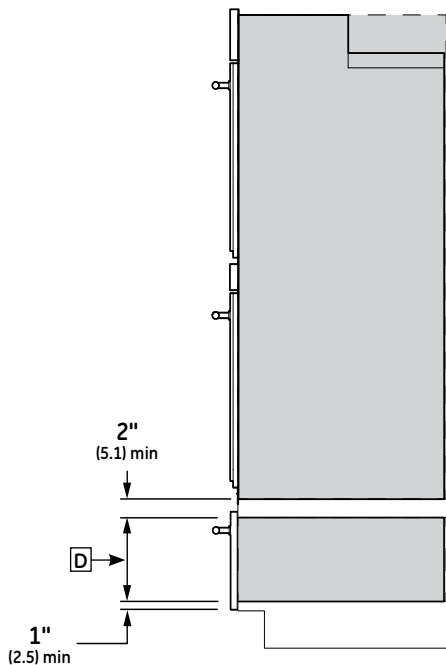
WALL INSTALLATION



NOTES

- A** Based on a user height of 5' 6" to 5' 10"
- B** Junction box location (May also be located in adjacent cabinet.)
- C** Platform must be able to support 375 lbs (169 kg)
- D** Dimension per Warming Drawer requirement

INSTALLATION OVER WARMING DRAWER



For more details, refer to the installation instructions for this product on Monogram.com. Dimensions in parentheses are in centimeters unless otherwise noted.

FEATURES AND BENEFITS

Electronic Controls - As elegant as they are ergonomic

Halogen Light Columns - On the oven walls, provide brilliant task lighting for each rack position

Exclusive Self Cleaning, Full-Extension Oven Racks - Glide in and out smoothly on stainless steel ball bearings, and are designed to be left in the oven during the self-clean cycle

3.8 Cu. Ft. Capacity (each oven) - Easily accommodates even the largest meals

True Hidden Bake Element - Concealed beneath the oven floor, allowing additional capacity and improved cleanability

Reverse-Air Convection System - Uses an innovative fan that reverses direction for optimal air and heat circulation, providing even cooking and multi-rack baking capability

Six-Element Design - Two bake, two broil and two convection elements provide precise cooking control, with fast preheating

208V Performance Compensation - Utilizes the six-element design to boost power in reduced voltage installations

Signature Tubular Handles - Are smooth, sleek and easy to grasp

Hand-Finished Edges - Reflect the meticulous quality and craftsmanship for which Monogram products are renowned

Two Broil Elements with Reflector Shield - Offer intense, dual-zone broiling



70 to 90% U.S. content. Product content details at GEAppliances.com/USA

