

GE Monogram<sup>®</sup>

Installation

Instructions

36" Ceramic  
Cooktop

*Model*

*ZEU676YSB*

Before you begin—Read these instructions completely and carefully.

**IMPORTANT:** Save these instructions for local inspector’s use.

**IMPORTANT: OBSERVE ALL GOVERNING CODES AND ORDINANCES.**

**NOTE TO INSTALLER:** Be sure to leave these instructions with the Consumer.

**NOTE TO CONSUMER:** Keep these instructions with your Use and Care Book for future reference.

**⚠ WARNING This appliance must be properly grounded. See “Electrical Supply”, page 4.**

If you have questions concerning the installation of this product, call the GE Answer Center® Consumer Information Service at 800.626.2000, 24 hours a day, 7 days a week.

Proper installation is the responsibility of the installer. Product failure due to improper installation is not covered under the GE Appliance Warranty. See the Use & Care Guide for warranty information.

If you received a damaged cooktop, you should contact your dealer.

**CAUTION:**

- This cooktop should be installed by a qualified installer or service technician.
- Do not store items of interest to children in cabinets above the cooktop. They could be seriously burned climbing on the cooktop to reach them.
- Never use your cooktop for warming or heating the room. Prolonged use of the cooktop without adequate ventilation can be hazardous.
- The cooktop should be easy to reach and lighted by natural light during the day.

- Always disconnect the electrical service to the unit before repairing or servicing the cooktop. Disconnect the fuse or circuit breaker. Failure to do so could result in a dangerous or fatal shock. Know where your main disconnect switch is located.

Check local building codes for the proper method of cooktop installation. Local codes vary. Installation, electrical connections and grounding must comply with applicable codes. In the absence of local codes, the cooktop should be installed in accordance with National Electrical Code ANSI/NFPA 70-1990.

## Contents

<i>Design Information</i>	
Models Available .....	3
Dimensions and Clearances .....	3
<i>Installation Preparation</i>	
Advance Planning .....	4
Tools & Materials Required .....	4
Electrical Location .....	4
Step 1: Cut the Opening .....	5
<i>Installation</i>	
Step 2: Install Cooktop .....	6
Step 3: Connect Electrical .....	7

# Design Information

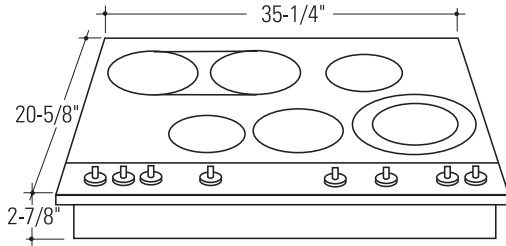
## Ceramic Cooktop

### Models Available

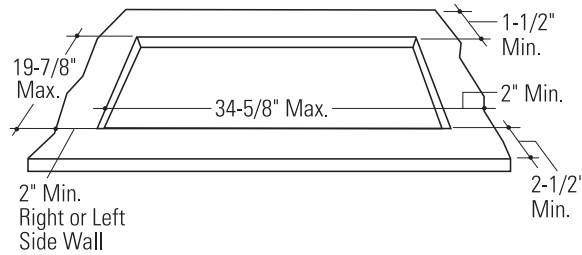
ZEU676YSB  
Ceramic Cooktop

This Monogram cooktop offers a smooth glass surface with bridgeburner to form an elongated heating area and is surrounded by a stainless steel trim.

### Dimensions & Clearances



- The underside (recessed) dimensions are:
  - 34-3/8" wide,
  - 2-13/16" high,
  - 19-11/16" front to back.



# Installation Preparation

## Ceramic Cooktop

### Advance Planning

**IMPORTANT: This cooktop requires 50 Amp service.**

- Use this cooktop with any exhaust hood; no special ventilation is required.
- Refer to "Dimensions and Clearances" for appropriate placement and clearances when planning installation.
- Avoid placing cabinetry directly above the cooktop when possible.
- If cabinetry is used above the cooking surface:
  - Use cabinets no more than 13" deep.
  - Maintain 30" minimum clearance between cooktop and unprotected cabinets directly above cooktop.
- Maintain 24" minimum clearance when bottom of wood or metal cabinet is protected by not less than 1/4" thick flame-retardant millboard covered with not less than no. 28 MSG sheet steel, 0.015 inch thick stainless steel, 0.024 inch thick aluminum, or 0.020 inch thick copper.
- A 36" wide exhaust hood that projects at least 5" beyond the front of the upper cabinets can also reduce risks.
- Working areas adjacent to the cooktop should have 18" minimum clearance between countertop and cabinet bottom.
- This cooktop requires an additional 5" free-space below cooktop bottom to combustible materials.

### Tools & Materials Required

- Drill and appropriate bits
- Electric or hand drill
- Pencil
- Ruler
- Carpenters square
- Hand or saber saw
- Flat-blade screwdriver
- Wire strippers
- 120/240 volt or 120/208 volt junction box.
- Electrical cable, 3-conductor or 4 conductor wire, as required by local codes.

*Note:* Do not use an extension cord with this appliance.

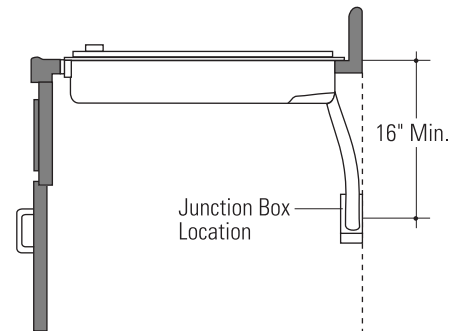
### Electrical Location

**WARNING**  **Warning, for Personal Safety:** Remove house fuse or open circuit breaker before beginning installation.


Do not use an extension cord or adapter plug with this appliance. Follow National electrical codes or prevailing local codes and ordinances.

This cooktop operates on 240 or 208 volts, 60 Hz, power supply and requires an individual, properly-grounded branch circuit, protected by 50 amp fuse or circuit breaker. At 240 volts total amp load is 44, rated 10.5 KW. 208 volt total amp load is 38, rated 7.9 KW.

- Install the junction box within reach of the 36" power cable:
- On the rear wall of the cabinet opening.
  - At least 16" below the countertop.



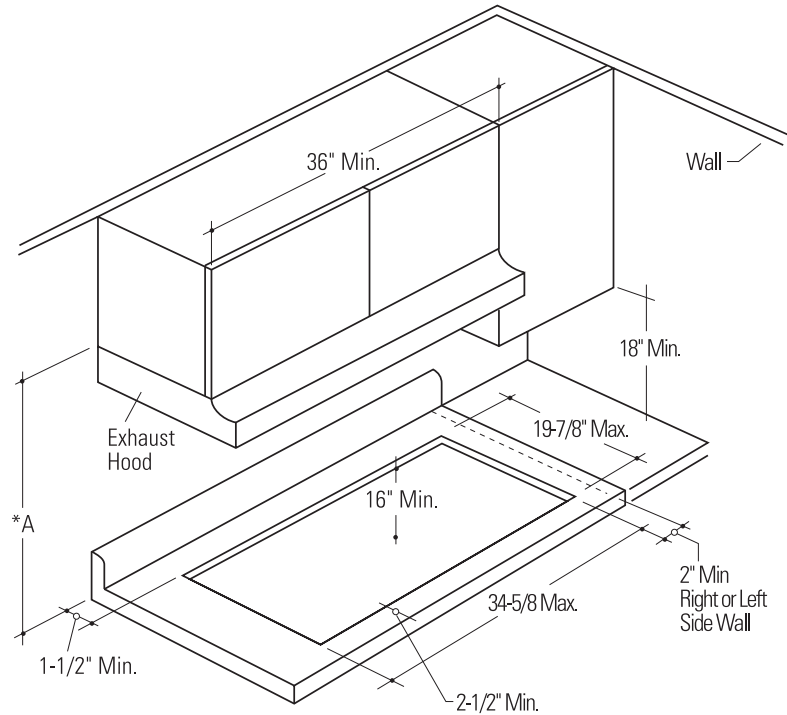
- Connect house wiring to junction box in accordance with local codes.
- Power is located on the bottom at the right rear.

**WARNING**  **Warning:** The improper connection of the equipment-grounding conductor can result in a risk of electric shock. Check with a qualified electrician or service representative if you are in doubt whether the appliance is properly grounded.

# Installation Preparation

## Ceramic Cooktop

### Step 1 Cut the Opening



*Caution:* Wall coverings, countertops and cabinets should withstand 200°F heat generated by the cooktop.

\*A=30 inches minimum clearance between the top of the cooking surface and the bottom of an unprotected wood or metal cabinet or A=24 inches minimum when bottom of wood or metal cabinet is protected by not less than 1/4 inch thick flame-retardant millboard covered with not less than no. 28 MSG sheet steel, 0.015 inch thick stainless steel, 0.024 inch thick aluminum, or 0.020 inch thick copper.

- This cooktop is designed to fit in 36" or larger base cabinet.
- Countertop cutout for this cooktop must be:
  - 34-5/8" wide,
  - 19-7/8" deep.
- Allow at least 1-1/2" clearance between rear of cutout and rear backsplash or wall.
- Allow at least 2" on left side and 2" on right side of cutout for clearance between cutout and adjacent walls.
- Allow at least 2-1/2" from cutout to front edge of countertop.
- Install the junction box within reach of the power cable, at least 16" below the countertop.
- This cooktop is designed to hang from the countertop from its side flanges.
- For additional cooktop support, add braces to the inside of the opening whenever possible. Braces can be added along the inside front rail, the rear and on each side of the opening.
- This cooktop requires an additional 5" free space below cooktop bottom to combustible materials.

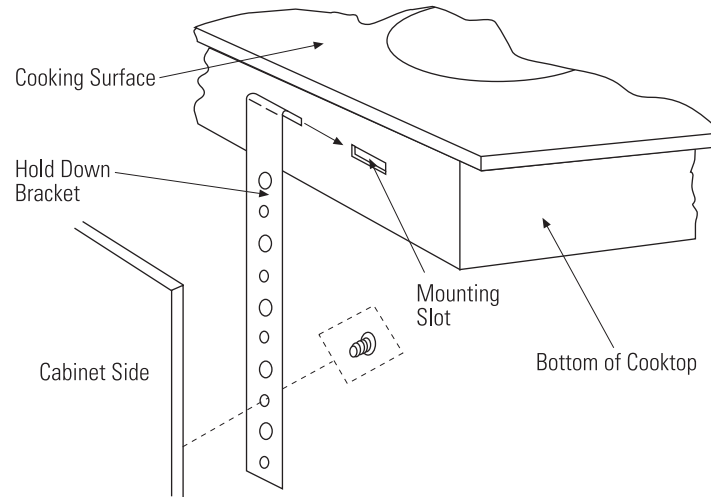
Measure carefully using a carpenters square before cutting the countertop.

- Draw a centerline and measure 17-5/16" to each side. Make sure sides of the opening are parallel.
- Cut along the lines to complete the entire cutout.
- Smooth rough edges before installing the cooktop.

# Installation

## Ceramic Cooktop

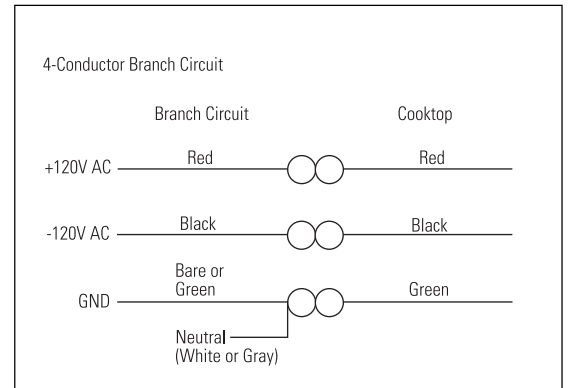
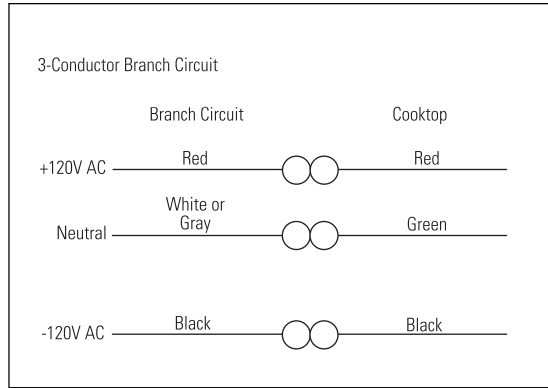
### Step 2 Install Cooktop



- Place foam gasket on the underside of the cooktop flange all the way around.
- Lower the cooktop into the countertop opening.
- Make sure the cooktop is evenly seated and supported.
- Insert 2 hold-down brackets in slots on right and left sides of chassis.
- Bend bracket to reach side wall of cabinet and secure with screws.

**CAUTION:** Over tightening may cause stress and could cause the glass top to break.

### Step 3 Connect Electrical



#### Verify that power is turned off at the source

Connect cooktop flexible power cable to junction box:

- Use a proper-sized flexible conduit connector, securely attached.
- Do not shorten power cable; it should hang in a natural loop when installed.

When connecting to a 4-conductor branch circuit:

- Connect red lead to branch circuit red lead.
- Connect cooktop black lead to branch circuit black lead.
- Connect cooktop ground conductor (green) to branch circuit ground conductor (bare or green) and branch circuit neutral (white or gray) as shown.

When connecting to a 3-conductor branch circuit:

- Connect cooktop red lead to branch circuit red lead.
- Connect cooktop black lead to branch circuit black lead.
- Connect cooktop bare copper or green conductor to branch circuit ground lead (white or gray).



**WARNING**

If house wiring is not 2-wire with a ground wire, a ground must be provided by the installer. When house wiring is aluminum, be sure to use U.L. approved anti-oxidant compound and aluminum-to-copper connectors.

NOTE: While performing installations described in this book, safety glasses or goggles should be worn.

*To obtain specific information concerning any Monogram product or service, call GE Answer Center® consumer information service at 800.626.2000—any time, day or night.*

*For Monogram local service in your area, call 1-800-444-1845.*

NOTE: Product improvement is a continuing endeavor at General Electric. Therefore, materials, appearance and specifications are subject to change without notice.

Pub. No. 49-8789  
Dwg. No. 164D3333P044  
© 1996 GE Appliances  
(N.D. 587) 2/97



General Electric Company  
Louisville, KY 40225

72279000  
Printed in the Netherlands