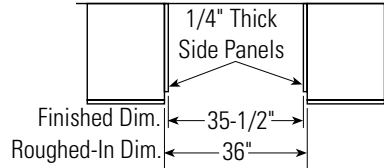
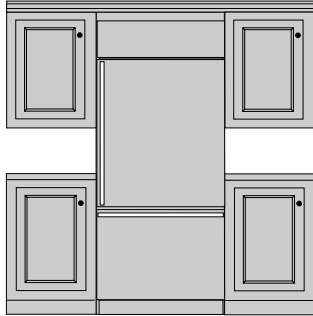




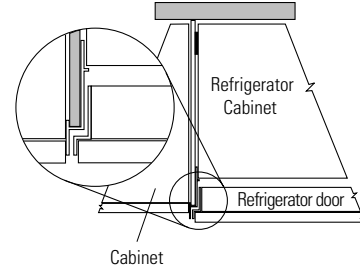
Monogram™

ZIC36NA - GE Monogram 36" Built-In Bottom Mount Refrigerator with Automatic Icemaker

Design Information Installation Between Base & Wall Cabinets

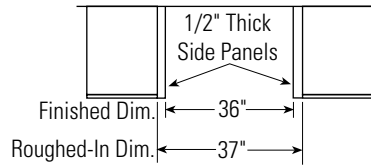
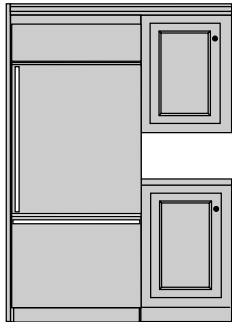


Note: 1/4" thick side panels can be inserted into the case trim, making the rough-in the same as the outside trim width, 36".

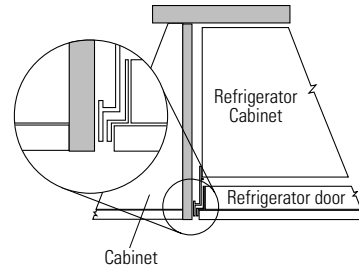


1/4" Side Panels. Insert end of side panel into trim.

Installation at End of Run



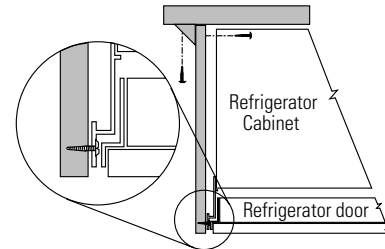
Note: 1/2" thick side panels shown. Side panels can be any thickness. Add side panel thickness to outside trim width (36") to calculate the rough-in dimension. The leading (front) edge must be finished to match surrounding cabinetry.



1/2" To 3/4" Side Panels. Leading Edge Flush With Cabinet.

Frameless Cabinets

Side panels, 1/2" minimum thickness are required when using frameless cabinets. The side panel acts as a spacer between the cabinet and the case trim and prevents interference with cabinet door swing. The leading (front) edge must be finished to match surrounding cabinetry.



1/2" To 3/4" Side Panels. Leading Edge Flush With Cabinet.

For answers to your Monogram®
GE Profile Performance Series™
GE Profile™ or GE appliance questions, call
GE Answer Center® service, 800.626.2000.



Listed by
Underwriters
Laboratories



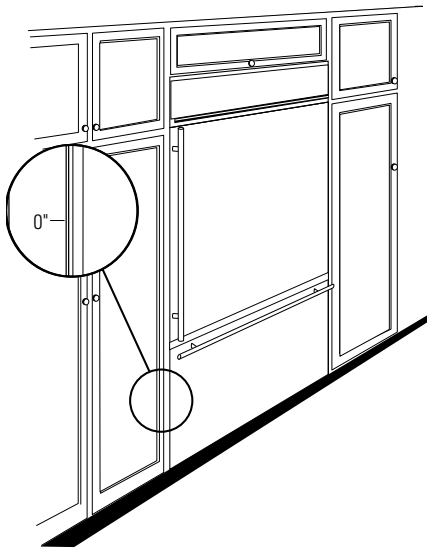
Monogram™

ZIC36NA - GE Monogram 36" Built-In Bottom Mount Refrigerator with Automatic Icemaker

Design Information

Advanced Planning for a Flush or Semi-Flush Enclosure Installation

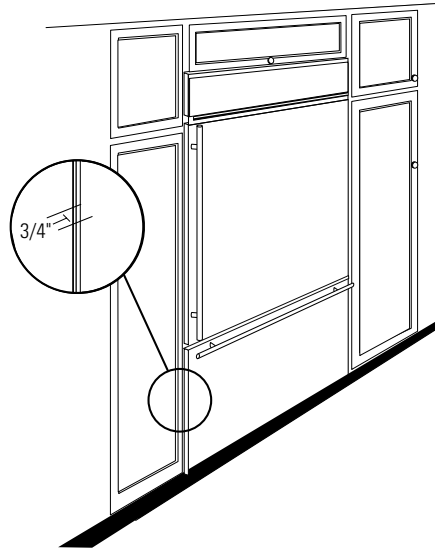
True Flush Installation



True Flush Installation

In a flush installation, the refrigerator doors will align evenly with the front face of adjacent cabinet doors. The refrigerator blends into the surrounding cabinetry.

Semi-Flush Installation



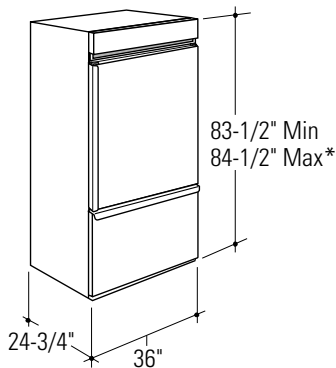
Semi-Flush Installation

These refrigerators can also be installed semi-flush into an enclosure using the minimum cutout width. The case trim creates a frame around the opening.

Monogram built-in refrigerators can be installed flush with typical 24-3/4" deep cabinetry.

When installed semi-flush, the case trim will conceal slight gaps around the enclosure. The refrigerator will project forward approximately 3/4" beyond the front face of surrounding cabinetry.

In any installation situation, a wide range of appearance options can be accomplished through the use of one or more trim kits.



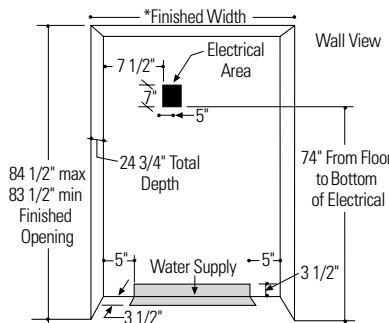
*84" Shipping Height. For any other Height Installation order ZGC2.

Side Panels Requirements:

- Side panels are not required whenever the refrigerator is installed into an enclosure or between pantry and oven cabinets.
- Side panels are required whenever the sides of the refrigerator are exposed.
- Side panel sizes vary depending on the type of installation being made.

To accomplish an attractive installation, you must:

1. Determine the need for side panels.
2. Determine side panel thickness.
3. Order matching side panels from the cabinet manufacturer. Be sure to provide the exact dimensions.



*36" Min. for a flush installation.
35-1/2" Min. for a semi-flush installation.

Note: Additional cutout width may be required when side panels are used. Add side panel thickness to the finished cutout to calculate rough-in width. Water and Electrical must be located as shown for either type of installation.

For answers to your Monogram®, GE Profile Performance Series™, GE Profile™ or GE appliance questions, call GE Answer Center® service, 800.626.2000.

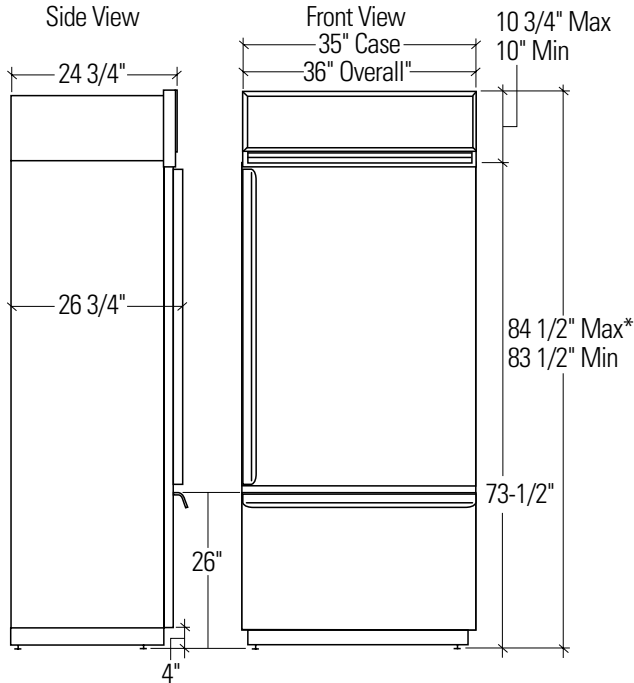




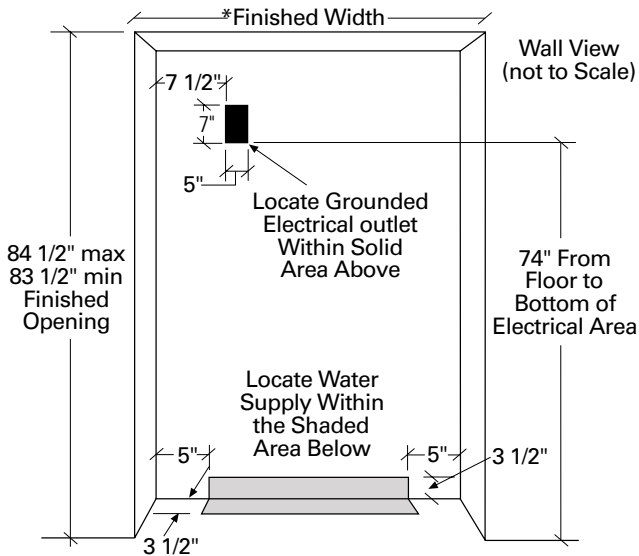
Monogram™

ZIC36NA - GE Monogram 36" Built-In Bottom Mount Refrigerator with Automatic Icemaker

Dimensions and Specifications (in inches)



*84" Shipping Height. For any other Height Installation order ZGC2.



* 36" Min. for a flush installation into an enclosure.
 * 35-1/2" Min. for a semi-flush installation into an enclosure.
 Note: Additional cutout width may be required when side panels are used. Add side panel thickness to the finished cutout width to calculate rough-in width.

Design Information

Designed to be installed flush or semi-flush with surrounding cabinetry. Cutout dimensions, clearances and side panel sizes are determined by the many installation options available. Side panels must be used whenever the sides of the refrigerator will be exposed. Side panels are not required when refrigerator is installed into an enclosure or between pantry and oven cabinets. **IMPORTANT** - Side panels, 1/2" minimum thickness are required when using FRAMELESS CABINETS.

- Field installed custom panels, Lexan® or stainless steel panels are required. The door panels and grille panel sizes vary to accommodate the kit being used.
- The supplied toe kick is vented and must remain unobstructed for proper air circulation.

Optional Panel Kits:

- ZWBC36: Black Lexan® Panel Kit
- ZWWC36: White Lexan® Panel Kit
- ZWSC36: Stainless Steel Panel Kit

Optional Custom Trim Kits:

- ZKHC1: For installation of a custom handle of your choice onto 1/4" Panels.
- ZKTC36L or ZKTC36R: For installation of 3/4" thick custom panels.
- ZKHTC1: For installation of a custom handle of your choice onto 3/4" thick panels. (This kit must be used in combination with ZKTC36L or ZKTC36R.
- ZKHCS1: Tubular Stainless Steel handles for 1/4" thick panels.
- ZKHCS1: Tubular Stainless Steel handles for 3/4" thick panels.
- ZGC2: 1/4" grille panel frame side pieces for 83-1/2 and 84-1/2" installation heights. Factory set height is 84".

Additional Specifications

- A 115 volt 60Hz., 15 or 20 amp power supply is required. An individual properly grounded branch circuit or circuit breaker is recommended. Install a properly grounded 3-prong electrical receptacle recessed into the back wall. Electrical must be located on rear wall as shown.
- Water line can enter opening through the floor or back wall. The water line should be 1/4" O.D. copper tubing between the cold water line and water connection location, long enough to extend to the front of the refrigerator. Installation of an easily accessible shut off valve in the water line is recommended.

Clearances:

- If the refrigerator is to be installed in a corner:

A 4" clearance is required on the hinge side for a 90° door opening and access to fresh food drawers. A 10" clearance is required on the hinge side for removal of pans.

For answers to your Monogram®, GE Profile Performance Series™, GE Profile™ or GE appliance questions, call GE Answer Center® service, 800.626.2000.



Listed by
Underwriters
Laboratories

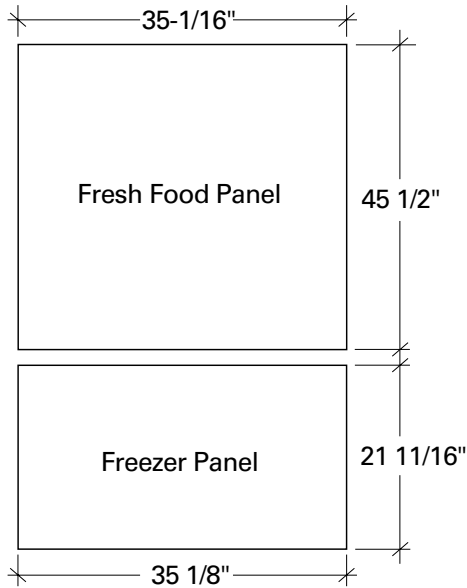


Monogram™

ZIC36NA - GE Monogram 36" Built-In Bottom Mount Refrigerator with Automatic Icemaker

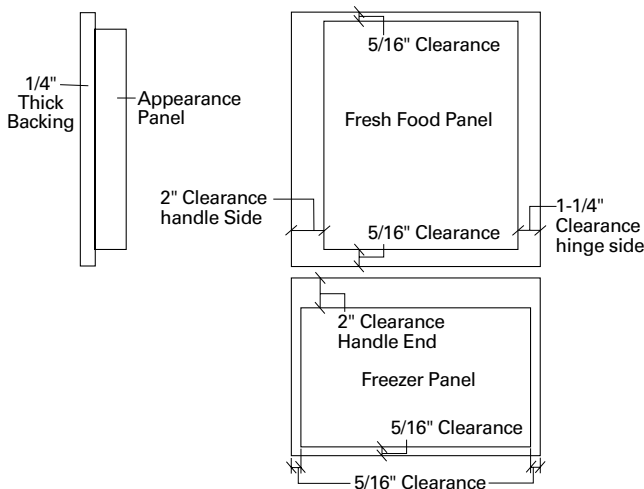
Dimensions and Specifications (in inches)

Custom Door Panel Dimensions Using Standard Trim
1/4" thick panels
or
Panels secured to 1/4" thick backing



Caution: Maximum weight for fresh food panels is 50 pounds and 30 pounds for freezer door panels.

Raised Panel on 1/4" Thick Backing
Using Standard Handles



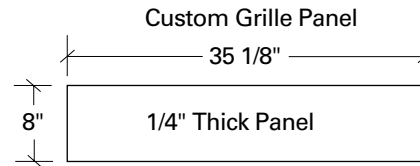
ZIC36N Bottom Mount Refrigerator

- 1/4" Panels: Cut panels to size.
- Custom handles with 1/4" door panels require Trim kits ZKHC1 or ZKHCS1 for tubular stainless steel handles).

Standard Trim with Panels secured to 1/4" thick backing

- Applying a raised panel design to a 1/4" thick backing (screws or glued): Cut 1/4" thick panels to size. On the fresh food door, fabricate the raised panel to permit at least 2" fingertip clearance of the standard handle. 1-1/4" clearance from the hinge side to avoid striking adjacent cabinetry and 5/16" from the top and bottom edges to allow for the trim flange. For the freezer drawer, allow 2" clearance at the top handle end and 5/16" clearance on both sides and the bottom edge to allow for trim flange.

Note: ZKHTC1 custom handle kit cannot be used in this configuration.



The grille panel frame is factory assembled for 84" installation height. If installation height varies, order ZGC2 trim kit that provides optional side trim pieces. Cut grille panel to sizes shown below.

Installation Height	Panel Height
83-1/2"	7-1/2"
84-1/2"	8-1/2"

For answers to your Monogram®, GE Profile Performance Series™, GE Profile™ or GE appliance questions, call GE Answer Center® service, 800.626.2000.



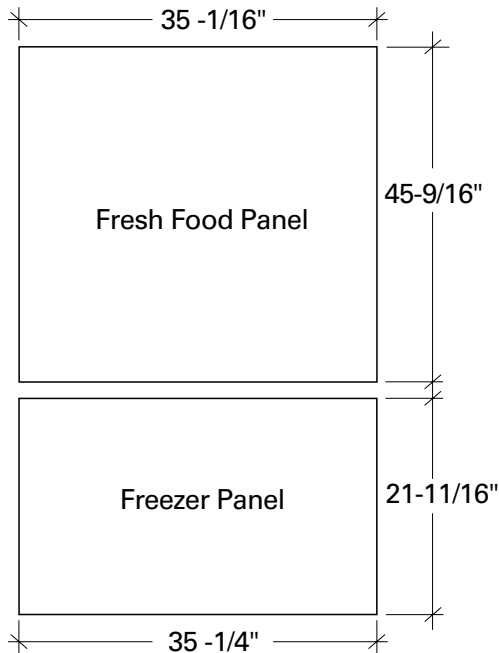


Monogram™

ZIC36NA - GE Monogram 36" Built-In Bottom Mount Refrigerator with Automatic Icemaker

Dimensions and Specifications (in inches)

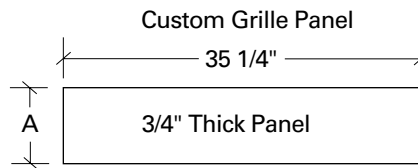
Custom Door Panel Dimensions
Using Trim Kits ZKTC36L or ZKTC36R
3/4" thick panel with kit supplied handle



Caution: Maximum weight for fresh food panels is 50 pounds and 30 pounds for freezer door panels.

ZIS36N Bottom Mount Refrigerator

- The ZKTC36L (or ZKTC36R) trim kit provides for the installation of 3/4" thick custom door and grille panels, using the supplied handle. Cut panels to size and install.



Grille Panel Height can vary to fill installation height.

Installation Height	Dimension A
83-1/2"	7-3/4"
84"	8-1/4"
84-1/2"	8-3/4"

Important: Maintain 1-1/2" minimum gap between top of doors and bottom of panel frame.

For answers to your Monogram®
GE Profile Performance Series™
GE Profile™ or GE appliance questions, call
GE Answer Center® service, 800.626.2000.



Listed by
Underwriters
Laboratories

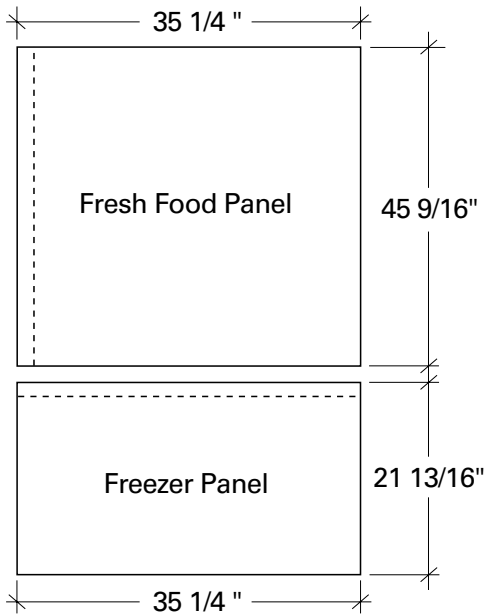


Monogram™

ZIC36NA - GE Monogram 36" Built-In Bottom Mount Refrigerator with Automatic Icemaker

Dimensions and Specifications (in inches)

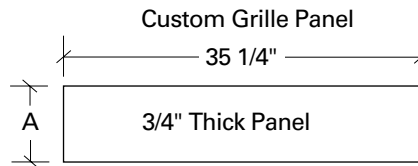
Custom Door Panel Dimensions Using Standard Trim Using Trim Kit ZKTC36L or ZKTC36R 3/4" thick panel with custom handle



Caution: Maximum weight for fresh food panels is 50 pounds and 30 pounds for freezer door panels

ZIC36N Bottom Mount Refrigerator

- The ZKTC36L (or ZKTC36R) trim kit installed together with a ZKHTC1 custom handle kit provides for the installation of 3/4" thick custom door and grille panels with a custom handle of your choice. Order ZKHTCSS1 for tubular stainless steel handles. Cut panels to size, rout the handle side of the panels as shown below and install.

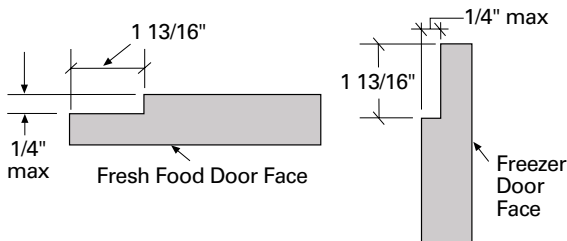


Grille Panel Height can vary to fill installation height.

Installation Height	Dimension A
83-1/2"	7-3/4"
84"	8-1/4"
84-1/2"	8-3/4"

Important: Maintain 1-1/2" minimum gap between top of doors and bottom of panel frame.

Rout panels to specification below on the handle side of each panel



For answers to your Monogram® GE Profile Performance Series™ GE Profile™ or GE appliance questions, call GE Answer Center® service, 800.626.2000.



Listed by Underwriters Laboratories



Monogram™

ZIC36NA - GE Monogram 36" Built-In Bottom Mount Refrigerator with Automatic Icemaker

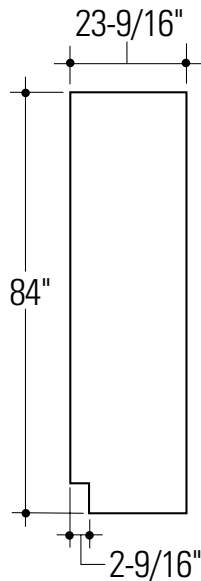
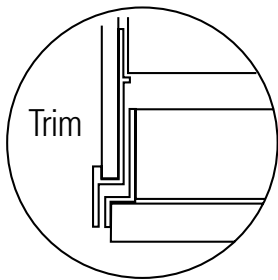
Dimensions and Specifications (in inches)

Side Panel Filer Options (Not to Scale)

Side panels must be used whenever the sides of the refrigerator will be exposed.

Illustration A

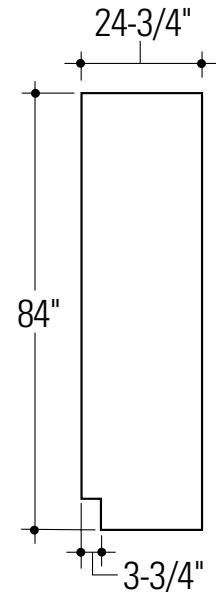
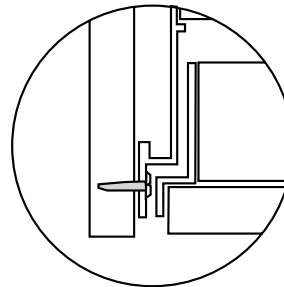
1/4" Side Panels—
Insert end of side
panel into case trim.



Standard 4" high toe-kick or trim to fit. Height may vary depending on application.

Illustration B

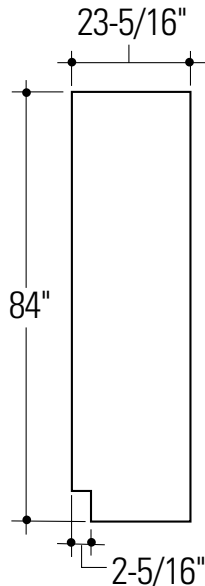
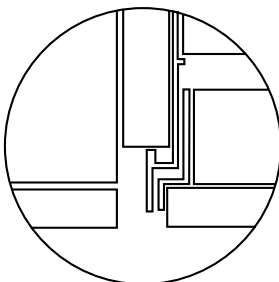
1/2" to 3/4" Side
Panels—Leading
edge flush with cabinet
front. The front or leading
edge must be finished to
match cabinetry.



Standard 4" high toe-kick or trim to fit. Height may vary depending on application.

Illustration C

1/2" to 3/4" Side
Panels—Recessed
front edge.



Standard 4" high toe-kick or trim to fit. Height may vary depending on application.

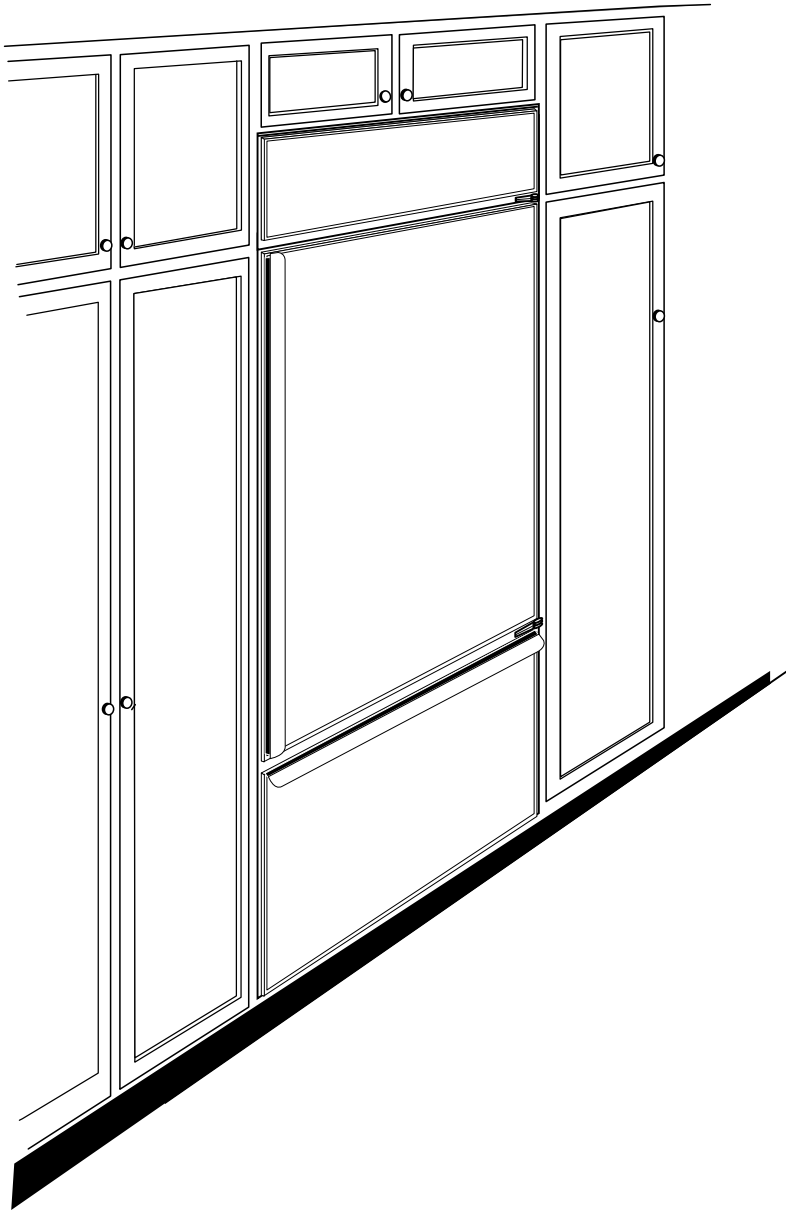
For answers to your Monogram®,
GE Profile Performance Series™,
GE Profile™ or GE appliance questions, call
GE Answer Center® service, 800.626.2000.





Monogram™

ZIC36NA - GE Monogram 36" Built-In Bottom Mount Refrigerator with Automatic Icemaker



Features and Benefits

- 20.8 Cu.Ft. Capacity (Fresh Food 14.1 Cu.Ft./ Freezer 6.7 Cu.Ft.)
- Equipped with Factory Installed Automatic Icemaker with Removable Ice Storage Bin
- 2 Sealed, Adjustable Humidity Slide-Out Vegetable/Fruit Pans
- 2 Sealed Slide-Out Snack Pans
- Adjustable Spill-Proof Glass Shelves
- 6 Fresh Food Door Shelves (4 Adjustable, 2 with Gallon Storage)
- 2 Sealed Dairy Compartments with Glass-Covered Butter Dish
- Egg Bin
- Wine Holder
- Slide-Out Freezer Compartment with 2-Tier Wire Shelves
- Extruded Door Handles
- Model ZIC36NA