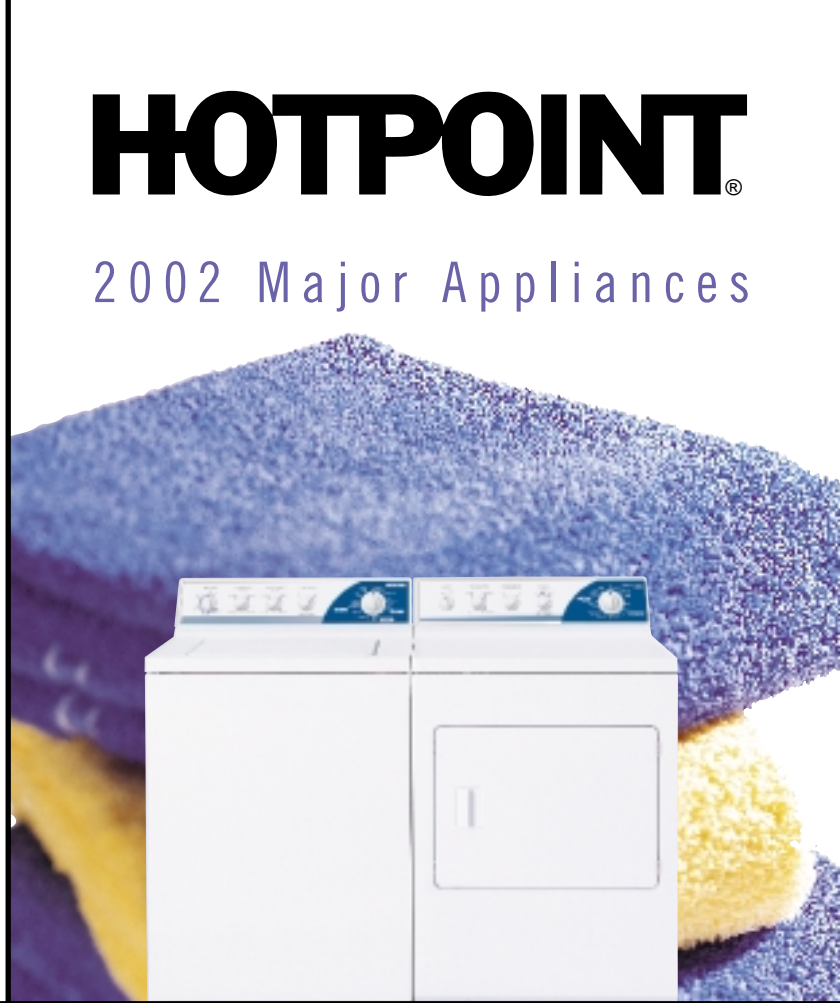


# HOTPOINT®

2002 Major Appliances



For now. For the long run.

## Hotpoint Appliances

Hotpoint® appliances are a good choice when value and affordability are important. Hotpoint appliances offer a wide choice of products combining flexibility, convenience and strong value with a recognized brand name. From more traditional styling to dependable features, Hotpoint appliances bring a practical approach to the kitchen.



# HOTPOINT®

For now. For the long run.

## Refrigeration

Side-By-Sides .....	4-5
Top-Freezers .....	6-11
GE® Bottom-Freezer .....	11
GE Cycle and Manual Defrost .....	12
GE Spacemaker™ Models .....	13
GE Upright Freezers .....	14
GE Chest Freezers .....	15
Specifications .....	16-21

## Free-Standing Ranges

Smooth Top .....	22
Coil Top .....	23
Electric .....	23
30" Ranges .....	24-26
Specialty Application Ranges .....	27
Specifications .....	28-29
Gas .....	30
30" Ranges .....	31-34
Compact Ranges .....	35
Specifications .....	36-37

<b>GE Hoods</b> .....	38
Specifications .....	39

## Microwave Ovens

Counter Saver Plus™ .....	40-41
GE Spacemaker Over-The-Range .....	42-43
GE Countertop .....	44-45
Specifications .....	46-49

<b>Dishwashers</b> .....	50-51
GE Spacemaker® Undersink .....	52
GE Built-In 18" .....	52
GE Convertible .....	52
Specifications .....	54-56

<b>GE Disposers and GE Compactors</b> .....	53
Specifications .....	57

## Washers and Dryers

Super and Extra-Large Capacity Washers .....	58
Super and Extra-Large Capacity Dryers .....	59
GE Spacemaker® Washers and Dryers .....	60
GE Unitized Washer and Dryer .....	61
Specifications .....	62-65

## GE Air Conditioning

GE Built-in "J" Series .....	66-67
GE Air Conditioning .....	68-69
GE Heat/Cool Series .....	70
GE Slide-Aire .....	70
GE Dehumidifiers .....	70
Specifications .....	71-74

<b>Warranties</b> .....	75
-------------------------	----

<b>Consumer Services</b> .....	Back cover
--------------------------------	------------

## Side-by-Side Refrigerators

Hotpoint® Side-by-side refrigerators are available with a variety of convenient extras, including gallon storage on the door, to fit a range of food storage needs.



### LightTouch! dispenser

Tall LightTouch! dispenser fills sport bottles, pitchers, even blenders! Delivers chilled, filtered water and ice.



### Adjustable door bins

Door bins hold gallon containers and six-packs in the fresh food compartment.



### FrostGuard™ technology

Defrosts only as needed, reducing freezer burn.



### Upfront electronic temperature controls

Convenient upfront electronic temperature controls are easy to set and see.



### Sealed pans

Provide the perfect storage environment for fresh foods.



HSS25IFM

### HSS25IFM

- 24.9 cubic foot capacity
- Upfront electronic temperature controls
- Tall LightTouch! dispenser with filtered water and ice
- Adjustable gallon door storage
- Three adjustable glass shelves
- Clear sealed snack pan
- Clear sealed vegetable/fruit crisper
- FrostGuard technology
- Deluxe quiet design
- NeverClean™ condenser

### HSS22IFM (not shown)

- Similar features and appearance as HSS25IFM except 21.8 cubic foot capacity.

Not all features available on all models.

For additional features, specifications and color availability, refer to page 16.

For warranty information, refer to page 75.

### HSS22BDM

- 21.8 cubic foot capacity
- Upfront electronic temperature controls
- Tall LightTouch! dispenser (water only)
- Fixed gallon door storage
- Three adjustable wire shelves
- Classic white sealed snack pan
- Classic white sealed vegetable/fruit crisper
- FrostGuard technology
- Deluxe quiet design
- NeverClean condenser
- Equipped for optional electronic icemaker



HSS22BDM

Not all features available on all models.  
For additional features, specifications and color availability, refer to page 16.  
For warranty information, refer to page 75.

# Top-Freezer Refrigerators

Hotpoint® Top-freezer no-frost refrigerators have a wide range of capacities with a variety of features, including gallon door storage, providing maximum food storage flexibility and convenience.



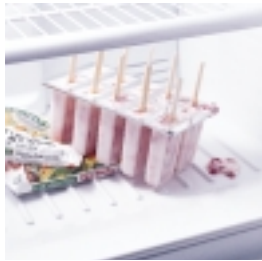
### Fixed gallon door storage

Provides storage for gallon containers, six-packs and other large fresh food items.



### Upfront temperature controls

Convenient upfront temperature controls are easy to set and see.



### Spill-proof freezer floor

Recessed edges catch spills and simplify cleaning.



### Snack pan

Excellent for rewrapped meats, cheese, hors d'oeuvres, pudding and other snacks.



### FrostGuard™ technology

Defrosts only as needed, reducing freezer burn.



### Dairy compartment

Clear, lift-open cover provides easy access to butter, cheese and other dairy products.



### HTS22GBM

#### HTS22GBM

- 21.8 cubic foot capacity
- Upfront illuminated temperature controls
- Two full-width, adjustable glass shelves
- Electronic sensors
- Two fixed, encapsulated door bins, one with gallon storage
- One fixed, split door shelf with gallon storage
- Two clear vegetable/fruit crispers
- Pivot-out pan removal system
- Clear snack pan
- Equipped for optional automatic icemaker
- Spill-proof freezer floor
- FrostGuard technology
- Deluxe quiet design
- NeverClean™ condenser

#### HTS22GCM (not shown)

- Similar features and appearance as HTS22GBM except is equipped with factory-installed electronic icemaker.

Not all features available on all models.

For additional features, specifications and color availability, refer to page 16.

For warranty information, refer to page 75.

## HTS22CBM

- 21.8 cubic foot capacity
- Upfront illuminated temperature controls
- Two full-width, adjustable wire shelves
- Three fixed door shelves with tall bottle storage
- Electronic sensors
- Two classic white vegetable/fruit crispers
- Pivot-out pan removal system
- Classic white snack pan
- Equipped for optional automatic icemaker
- Spill-proof freezer floor
- FrostGuard technology
- Deluxe quiet design
- NeverClean condenser

## HTS18GCM

- 17.9 cubic foot capacity
- Upfront illuminated temperature controls
- Two full-width, adjustable glass cabinet shelves
- Two fixed, encapsulated door bins, one with gallon storage
- One fixed, split door shelf with gallon storage
- Two clear vegetable/fruit crispers
- Clear snack pan
- Equipped with factory-installed electronic icemaker
- Spill-proof freezer floor
- Deluxe quiet design
- NeverClean condenser

## HTS18GBM (not shown)

- Similar features and appearance as HTS18GCM without factory-installed electronic icemaker.



HTS22CBM



HTS18GCM

Not all features available on all models.  
For additional features, specifications and color availability, refer to page 16.  
For warranty information, refer to page 75.

# Top-Freezer Refrigerators



## Deluxe quiet design

Quiet components and insulation allow for quiet operation.

## HTS18BCM

- 17.9 cubic foot capacity
- Upfront temperature controls
- Two full-width, adjustable wire shelves
- Three fixed door shelves with gallon storage
- Two classic white vegetable/fruit crispers
- Equipped with factory-installed electronic icemaker
- Spill-proof freezer floor
- Deluxe quiet design
- NeverClean™ condenser

## HTS18BBM (not shown)

- Similar features and appearance as HTS18BCM without factory-installed electronic icemaker.

## HTR18ABM

- 17.6 cubic foot capacity
- Upfront temperature controls
- Three full-width, adjustable wire cabinet shelves
- Two fixed door shelves with tall bottle storage
- Recessed door handles
- Equipped for optional automatic icemaker
- Deluxe quiet design
- NeverClean condenser



HTS18BCM



HTR18ABM

Not all features available on all models.

For additional features, specifications and color availability, refer to page 17.

For warranty information, refer to page 75.



## Top-Freezer Refrigerators

### HTS17BCM

- 16.9 cubic foot capacity
- Upfront temperature controls
- Two full-width, adjustable wire cabinet shelves
- Two fixed door shelves with tall bottle storage
- Two classic white vegetable/fruit crispers
- Equipped with factory-installed electronic icemaker
- Deluxe quiet design
- NeverClean condenser

### HTS17BBM (not shown)

- Similar features and appearance as HTS17BCM without factory-installed electronic icemaker.

### HTR17BBM

- 16.9 cubic foot capacity
- Upfront temperature controls
- Two full-width, adjustable wire shelves
- Two fixed door shelves with tall bottle door storage
- Two classic white, vegetable/fruit crispers
- Recessed door handles
- Equipped for optional electronic icemaker
- Deluxe quiet design
- NeverClean condenser



HTS17BCM



HTR17BBM

Not all features available on all models.

For additional features, specifications and color availability, refer to pages 17.

For warranty information, refer to page 75.

# Top-Freezer Refrigerators



## Recessed handles

Color-matched recessed door handles reflect the latest in European design and appearance.

## HTS16HBM

- 15.6 cubic foot capacity
- Upfront temperature controls
- Three adjustable glass shelves, one full-width, two split
- Two fixed door shelves with gallon storage
- Two clear vegetable/fruit crispers
- Clear snack pan
- Equipped for optional electronic icemaker
- Deluxe quiet design
- NeverClean™ condenser



HTS16HBM



HTS16BBM

## HTS16BCM (not shown)

- Similar features and appearance as HTS16BBM with factory-installed electronic icemaker.

## HTS16BBM

- 15.6 cubic foot capacity
- Upfront temperature controls
- Two full-width, adjustable wire shelves
- Two fixed door shelves with tall bottle storage
- Two classic white vegetable/fruit crispers
- Equipped for optional electronic icemaker
- Deluxe quiet design
- NeverClean condenser

## HTS15BBM (not shown)

- Similar features and appearance as HTS16BBM except 14.6 cubic foot capacity.

## HTR15BBM (not shown)

- Similar features as HTS15BBM except recessed door handles.

## HTR15ABM

- 14.6 cubic foot capacity
- Two full-width, adjustable wire cabinet shelves
- Two fixed door shelves with tall bottle door storage
- One full-width, white vegetable/fruit crisper
- Equipped for optional electronic icemaker
- Deluxe quiet design
- NeverClean condenser

## HTR16BBM (not shown)

- Similar features as HTS16BBM except recessed door handles.

## HTS15BCM (not shown)

- Similar features and appearance as HTS16BCM except 14.6 cubic foot capacity.



HTR15ABM

Not all features available on all models.

For additional features, specifications and color availability, refer to page 17.

For warranty information, refer to page 75.

## GE® Top-Freezer Refrigerators

### GTS12BBM

- 11.7 cubic foot capacity
- Two full-width, adjustable wire cabinet shelves
- Two full-width and one half fixed door shelves
- One full-width, white vegetable/fruit crisper
- Deluxe quiet design
- NeverClean condenser

### GTS10AAM (not shown)

- 10.3 cubic foot capacity
- Two full-width wire cabinet shelves
- Four fixed door shelves
- One full-width white vegetable/fruit crisper
- Two Ice 'N Easy trays
- Deluxe quiet design



GTS12BBM

## GE Bottom-Freezer Refrigerators

### GBS22LBM

- 21.7 cubic foot capacity
- ShelfSaver™ rack
- Four adjustable split, spill-proof glass shelves (3 slide-out)
- Four modular gallon door bins (two adjustable)
- One full-width fixed door bin with gallon storage
- Two clear adjustable humidity vegetable/fruit crispers
- Clear snack pan
- Wire sliding freezer basket
- One full-width freezer shelf
- Equipped for optional automatic icemaker
- Deluxe quiet design
- NeverClean condenser

### GBS18KBM

- 18.1 cubic foot capacity
- Four adjustable split, spill-proof glass shelves
- Three modular gallon door bins
- One full-width fixed door bin with gallon storage
- Two clear adjustable humidity vegetable/fruit crispers
- Clear snack pan
- Wire sliding freezer basket
- Two split freezer shelves
- Equipped for optional automatic icemaker
- Deluxe quiet design
- NeverClean condenser



GBS22LBM



GBS18KBM

Not all features available on all models.

For additional features, specifications and color availability, refer to pages 17-18.

For warranty information, refer to page 75.

## Cycle Defrost Refrigerators

### *GE® Cycle Defrost Refrigerators*

#### **GFR12AAM**

- 11.7 cubic foot capacity
- 2.6 cubic foot freezer
- Three door shelves
- Two vegetable/fruit crispers
- Full-width freezer shelf



**GFR12AAM**

## Manual Defrost Refrigerator

### *GE Manual Defrost Refrigerator*

#### **GMS10AAM**

- 9.6 cubic foot capacity
- .94 cubic foot compartment for short-term frozen food storage (not a zero-degree freezer)
- Two adjustable wire cabinet shelves
- Full-width vegetable/fruit pan
- Tall bottle storage



**GMS10AAM**

Not all features available on all models.  
For additional features, specifications and color availability, refer to page 18.  
For warranty information, refer to page 75.

## GE Spacemaker™ Refrigerators

### GMRO6AAM

- 6.0 cubic foot capacity
- Two adjustable wire cabinet shelves
- Three door shelves
- Optional black panel available with TK6 trim kit
- Available in white

### GMRO4BAN (not shown)

- 4.3 cubic foot capacity
- Two and one half-width wire cabinet shelves
- One full-width, two half-width door shelves
- Can rack
- Available in white and black

### GMRO2BAN

- 1.7 cubic foot capacity
- One slide-out wire cabinet shelf
- One full-width, one half-width door shelves
- Available in white and black



GMRO6AAMWW



GMRO2BANBB

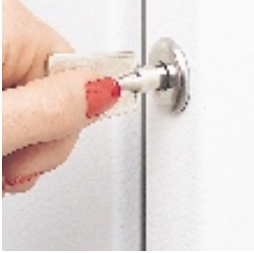
Not all features available on all models.

For additional features, specifications and color availability, refer to page 19.

For warranty information, refer to page 75.

# Upright Freezers

## GE® Upright Freezers



Lock provides security.

### FUF20DM

- 20.3 cubic foot capacity
- Five cabinet shelves, three adjustable
- One slide-out bulk storage basket
- Six door shelves (two juice shelves)
- Adjustable temperature control
- Built-in lock
- Interior light
- Limited food loss warranty\*

### FUF17DM (not shown)

- 16.7 cubic foot capacity
- Four cabinet shelves, three adjustable
- One slide-out bulk storage basket
- Five door shelves (two juice shelves)
- Adjustable temperature control
- Built-in lock
- Interior light
- Limited food loss warranty\*

### FUF14DM (not shown)

- 13.7 cubic foot capacity
- Three cabinet shelves, two adjustable
- One slide-out bulk storage basket
- Five door shelves (two juice shelves)
- Adjustable temperature control
- Built-in lock
- Interior light
- Limited food loss warranty\*

### FUM21DM

- 20.6 cubic foot capacity
- Five cabinet shelves, one adjustable
- One slide-out bulk storage basket
- Six door shelves (two juice shelves)
- Defrost water drain
- Adjustable temperature control
- Built-in lock
- Interior light
- Limited food loss warranty\*

### FUM17DM (not shown)

- 17.1 cubic foot capacity
- Four cabinet shelves, one adjustable
- One slide-out bulk storage basket
- Five door shelves (two juice shelves)
- Defrost water drain
- Adjustable temperature control
- Built-in lock
- Interior light
- Limited food loss warranty\*

### FUM14DM (not shown)

- 14.1 cubic foot capacity
- Four cabinet shelves, one adjustable
- One slide-out bulk storage basket
- Five door shelves (two juice shelves)
- Defrost water drain
- Adjustable temperature control
- Built-in lock
- Interior light
- Limited food loss warranty\*

### FUM14SM (not shown)

- 14.1 cubic foot capacity
- Three cabinet shelves
- Five door shelves (two juice shelves)
- Defrost water drain
- Adjustable temperature control
- Limited food loss warranty\*

### FUM5SM (not shown)

- 5.0 cubic foot capacity
- Two cabinet shelves
- Three door shelves
- Adjustable temperature control
- Limited food loss warranty\*



FUF20DM



FUM21DM

\*See written warranty for complete details.

Not all features available on all models.

For additional features, specifications and color availability, refer to page 20.

For warranty information, refer to page 75.

## GE Chest Freezers



Lift-out and sliding wire baskets for easy loading and unloading.

### FCM25RM (not shown)

- 25.1 cubic foot capacity
- Four lift-out and sliding bulk storage baskets
- Adjustable temperature control
- Upfront defrost drain
- Built-in lock
- Interior light
- Limited food loss warranty\*

### FCM20DM

- 19.7 cubic foot capacity
- Three lift-out and sliding bulk storage baskets
- Adjustable temperature control
- Upfront defrost drain
- Built-in lock
- Interior light
- Limited food loss warranty\*

### FCM15DM (not shown)

- 14.8 cubic foot capacity
- Two lift-out and sliding bulk storage baskets
- Adjustable temperature control
- Upfront defrost drain
- Built-in lock
- Interior light
- Limited food loss warranty\*

### FCM15SM (not shown)

- 14.8 cubic foot capacity
- One lift-out and sliding bulk storage basket
- Adjustable temperature control
- Upfront defrost drain
- Limited food loss warranty\*

### FCM9DM

- 8.8 cubic foot capacity
- Two lift-out and sliding bulk storage baskets
- Adjustable temperature control
- Upfront defrost drain
- Built-in lock
- Interior light
- Limited food loss warranty\*

### FCM7DN (not shown)

- 7.0 cubic foot capacity
- Power "ON" light
- Two lift-out and sliding bulk storage baskets
- Adjustable temperature control
- Upfront defrost drain
- Built-in lock
- Limited food loss warranty\*

### FCM5DM (not shown)

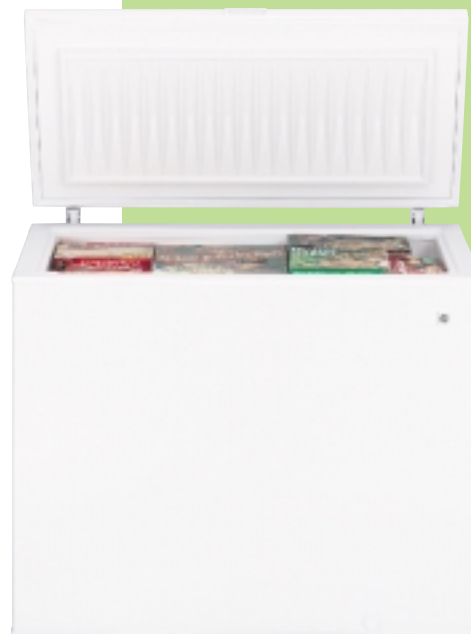
- 5.0 cubic foot capacity
- Power "ON" light
- Two lift-out and sliding bulk storage baskets
- Adjustable temperature control
- Upfront defrost drain
- Built-in lock

### FCM5SM (not shown)

- 5.0 cubic foot capacity
- One lift-out and sliding bulk storage basket
- Adjustable temperature control
- Upfront defrost drain



FCM20DM



FCM9DM

\*See written warranty for complete details.

Not all features available on all models.

For additional features, specifications and color availability, refer to page 21.  
For warranty information, refer to page 75.

# Refrigeration Specifications

<b>Side-by-Side Refrigerators</b>	<b>HSS22BDM</b>	<b>HSS25IFM HSS22IFM</b>
<b>Capacity</b>		
Total (cu. ft.)	21.8	24.9/21.8
Fresh food (cu. ft.)	14.7	15.3/14.7
Freezer (cu. ft.)	7.1	9.5/7.1
Shelf area (sq. ft.)	20.5	22.4/20.4
<b>Fresh Food Features</b>		
Upfront electronic temperature controls	●	●
Electronic sensors	●	●
Hotpoint® Water Filter		●
LightTouch! dispenser	Water only	Cubes, Crushed Ice, Water
Light	●	●
Cabinet shelves (adjustable)	3 Wire	3 Glass
Snack pan	1 White Sealed	1 Clear Sealed
Vegetable/fruit crisper	1 White Sealed	1 Clear Sealed
Door shelves	4 (2 w/gallon storage)	4 (2 Adj. w/ gallon storage)
Dairy compartment		Clear
Utility bin		●
Quiet Package	Deluxe Quiet Design	Deluxe Quiet Design
NeverClean™ condenser	●	●
<b>Freezer Features</b>		
FrostGuard™ technology	●	●
Factory-installed electronic icemaker & bin	Opt. (IM5SS)	●
Ice 'N Easy Trays	2	
Ice Storage bin	●	●
Wire cabinet shelves	3 (2 Adj.)	4 (3 Adj.)
Storage bin	1	1
Door shelves	5 Fixed	5 Fixed
Interior light		●
<b>Appearance</b>		
Color(s) available*	WH	WW, CC
Deluxe door handles	Black, Short	Color-Matched, Short
Textured steel door and case	●	●
Adjustable rollers	Front	Front
<b>Weights &amp; Dimensions</b>		
Height to top of hinge (in.) A	67-1/2	69-3/4 / 67-1/2
Height to top of case (in.) B	66-1/2	68-3/4 / 66-1/2
Case depth without door (in.) C	28	28
Case depth less door handle (in.) D	30-3/4	30-3/4
Case depth with door handle (in.) E	33	33
Depth with fresh food door open 90° (in.) F	48-13/16	48-13/16
Width (in.) G	33-1/2	35-3/4 / 33-1/2
Width w/door open 90° less door handle (in.) H	35-3/4	38 / 35-3/4
Air clearances Each side (in.)	1/8	1/8
Top (in.)	1	1
Back (in.)	1	1
Approx. shipping weight (lbs.)	315	338/315

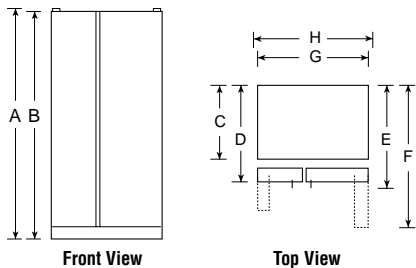
\*Color(s) available: WH = Black on white, WW = White on white, CC = Bisque on bisque  
Add 9/16" for water hook-up. Hook-up fits in 5/8" back air clearance when calculating installation depth.  
If installed against a wall, allow clearance of 10-3/4" on 22 cu. ft.; 12-1/8" on 25 cu. ft. models on freezer side to remove bin.

To remove fresh food pans, remove door bins.  
Clearances required to remove fresh food full-size pan without disassembling:  
15" on 22 cu. ft. and 25 cu. ft.

Allow additional space for any necessary leveling adjustments.

**ALL MODELS AVAILABLE IN U.S. AND CANADA.**

## Side-By-Side Refrigerators

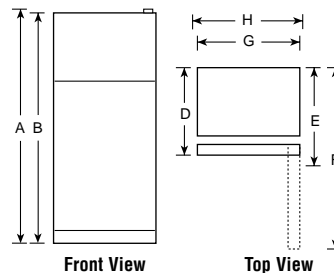


<b>Top-Freezer Refrigerators</b>	<b>HTS22GCM HTS22GBM</b>	<b>HTS22CBM</b>	<b>HTS18GCM HTS18GBM</b>
<b>Capacity</b>			
Total (cu. ft.)	21.8	21.8	17.9
Fresh food (cu. ft.)	15.47	15.47	12.89
Freezer (cu. ft.)	6.37	6.37	5.03
Shelf area (sq. ft.)	24.6	24.4	21.8
<b>Features</b>			
Upfront illuminated temperature controls	●	●	●
Upfront temperature controls			
Electronic sensors	●	●	
Cabinet shelves (adjustable)	2 Glass	2 Wire	2 Glass
Vegetable/fruit crisper(s)	2 Full-Width	2 Full-Width	2 Full-Width
Snack pan	2	2	2
Pivot-out pan removal system	●	●	●
Fixed door bins	2 (1 with gallon storage)		2 (1 with gallon storage)
Fixed door shelves	1 split with gallon storage	3 tall bottle storage	1 split with gallon storage
Dairy compartment	●	●	●
Interior light system	Dual	Dual	Dual
Quiet Package—Quiet Design	Deluxe	Deluxe	Deluxe
Automatic moisture control	●	●	●
NeverClean™ condenser	●	●	●
<b>Freezer Features</b>			
Factory-installed electronic icemaker & bin	● / Opt. (IM4)	Opt. (IM4)	● / Opt. (IM4)
Ice 'N Easy trays	— / 2	2	— / 2
Ice storage bin	Ice Bucket / —		Ice Bucket / —
Ice shelf			
FrostGuard™ technology	●	●	●
Spill-proof freezer floor	●	●	●
Wire freezer compartment shelves	1 F/W (2 pos.)	1 F/W (2 pos.)	1 F/W (2 pos.)
Fixed door shelves	2	2	2
<b>Exterior</b>			
Color(s) available*	WW, CC	WW, CC	WW, CC
Door handle(s) *	CM	CM	CM
Customer installed handles	●	●	●
Exterior design	Rounded Doors	Rounded Doors	Rounded Doors
Reversible doors	●	●	●
Choose right or left door opening			
Adjustable leveling legs	Front	Front	Front
<b>Weights &amp; Dimensions</b>			
Height to top of hinge (in.) A	67-1/2	67-1/2	66-5/8
Height to top of case (in.) B	66-7/8	66-7/8	66-1/8
Case depth without door (in.) C	27-5/8	27-5/8	27-1/2
Case depth less door handle (in.) D	31-5/8	31-5/8	30-1/4
Case depth with door handle (in.) E	33-5/8	33-5/8	32-1/8
Depth w/fresh food door open 90° (in.) F	63	63	58-1/8
Width (in.) G	32-7/8	32-7/8	29-1/2
Width w/door open 90° less door handle (in.) H	33	33	30
Air clearances Each side (in.)	1/8	1/8	1/8
Top (in.)	1	1	1
Back (in.)	1	1	1
Approx. shipping weight (lbs.)	260/255	255	206/201

\*Color(s) available: WW = White on white, CC = Bisque on bisque, AA = Almond on almond, CM = Color-Matched.

**ALL MODELS AVAILABLE IN U.S. AND CANADA.**

## Top-Freezer No-Frost Refrigerator





# Refrigeration Specifications

	HTS18BCM HTS18BBM	HTR18ABM	HTS17BCM HTS17BBM	HTR17BBM	HTS16HBM	HTS16BCM HTS16BBM	HTR16BBM	HTS15BCM HTS15BBM	HTR15BBM	HTR15ABM	GTS12BBM	GTS10AAM
	17.9	17.6	16.9	16.9	15.6	15.6	15.6	14.6	14.6	14.6	11.7	10.3
	12.89	13.58	13.05	13.05	11.69	11.69	11.69	10.77	10.77	10.72	8.80	7.95
	5.03	4.01	3.86	3.86	3.86	3.86	3.86	3.86	3.86	3.86	2.90	2.37
	20.8	16.4	16.7/17.5	17.5	19.6	16.4/17.2	17.2	16.4/17.2	17.2	16.1	13.6	14.0
	●	●	●	●	●	●	●	●	●	●		●
	2 Wire	3 Wire	2 Wire	2 Wire	3 Glass	2 Wire	2 Wire	2 Wire	2 Wire	2 Wire	2 Wire	2 Wire
	2 Full-Width	3 Full-Width	2 Full-Width	2 Full-Width	1 F/W, 2 split	2 Full-Width	2 Full-Width	2 Full-Width	2 Full-Width	2 Full-Width	2 Full-Width	2 Full-Width
	2		2	2	2	2	2	2	2	1 Full-Width	1 Full-Width Divided	1 Full-Width
					●							
	3 (with gallon storage)	2 tall bottle storage	2 tall bottle storage	2 tall bottle storage	2 with gallon storage	2 tall bottle storage	2 tall bottle storage	2 tall bottle storage	2 tall bottle storage	2 tall bottle storage	2 Full-Width, 1 Split	4 (1 Tall Bottle)
	●	●	●	●	●	●	●	●	●	●	●	●
	Single	Single	Single	Single	Single	Single	Single	Single	Single	Single	Single	Single
	Deluxe	Deluxe	Deluxe	Deluxe	Deluxe	Deluxe	Deluxe	Deluxe	Deluxe	Deluxe	Deluxe	Deluxe
	●	●	●	●	●	●	●	●	●	●	●	●
	●	●	●	●	●	●	●	●	●	●	●	●
	● / Opt. (IM4)	Opt. (IM4)	● / Opt. (IM4)	Opt. (IM4)	Opt. (IM4)	● / Opt. (IM4)	Opt. (IM4)	● / Opt. (IM4)	Opt. (IM4)	Opt. (IM4)	Opt. (IM4)	
	— / 2	1	— / 2	2	2	— / 2	2	— / 2	2	1	1	2
	Ice Bucket / —		Ice Bucket / —			Ice Bucket / —		Ice Bucket / —				
			— / ●	●		— / ●	●	— / ●	●			
	●											
	1 F/W (2 pos.)				Step							1 F/W
	2	2	2	2	2	2	2	2	2	2	2	2
	WW WW, CC	WW	WW WW, CC	WW, CC	WW, CC	WW WW, CC	WW, CC	WW WW, CC	WW, CC, AA	WW, CC	WW, CC	WW
	CM	CM Recessed	CM	CM Recessed	CM	CM	CM Recessed	CM	CM Recessed	CM Recessed	CM	CM Recessed
	●		●		●		●		●		●	
	Rounded Doors	Square Doors	Square Doors	Square Doors	Square Doors	Square Doors	Square Doors	Square Doors	Square Doors	Square Doors	Rounded Doors	Rounded Doors
	●	●	●	●	●	●	●	●	●	●	●	●
	●	●	●	●	●	●	●	●	●	●	●	●
	Front	Front	Front	Front	Front	Front	Front	Front	Front	Front		
	66-5/8	67-3/8	67-3/8	67-3/8	64-3/4	64-3/4	64-3/4	61-3/4	61-3/4	61-3/4	60-5/8	58-3/4
	66-1/8	66-7/8	66-7/8	66-7/8	64-1/4	64-1/4	64-1/4	61-1/4	61-1/4	61-1/4	60-1/4	58-1/4
	27-1/2	26-3/4	26-3/4	26-3/4	25-7/8	25-7/8	25-7/8	25-7/8	25-7/8	25-7/8	27-1/2	25
	30-1/4	30-1/2	30	30	29-1/8	29-1/8	29-1/8	29-1/8	29-1/8	29-1/8	30-1/4	27
	32-1/8	30-1/2	31-7/8	30	31	31	29-1/8	31	29-1/8	29-1/8	32	27
	58-1/8	56-3/8	55-3/4	55-3/4	54-7/8	54-7/8	54-7/8	54-7/8	54-7/8	54-7/8	51-5/8	48-3/4
	29-1/2	28	28	28	28	28	28	28	28	28	23-3/8	23-5/8
	30	28-7/8	28-5/8	28-5/8	28-5/8	28-5/8	28-5/8	28-5/8	28-5/8	28-5/8	24-1/8	24-1/8
	1/8	3/4	3/4	3/4	3/4	3/4	3/4	3/4	3/4	3/4	3/4	1
	1	1	1	1	1	1	1	1	1	1	1	3
	1	1	1	1	1	1	1	1	1	1	3/4	1
	203/198	176	184/179	183	183	175/170	169	171/166	165	163	155	158



**Note: All Top-Freezer No-Frost Right-Hand Refrigerator Doors:** As you face the front of the refrigerator, the handle is on your left and the hinges are on your right.  
**All Top-Freezer No-Frost Left-Hand Refrigerator Doors:** As you face the front of the refrigerator, the handle is on your right and the hinges are on your left.

# Refrigeration Specifications

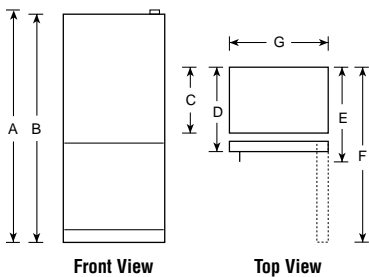
## GE® Bottom-Freezer Refrigerators

	GBS22LBM	GBS18KBM
<b>Capacity</b>		
Total (cu. ft.)	21.7	18.1
Fresh food (cu. ft.)	15.25	13.44
Freezer (cu. ft.)	6.51	4.64
Shelf area (sq. ft.)	30.1	22.2
<b>Features</b>		
Cabinet shelves	4 Glass	4 Glass
Adjustable	4 Split	4 Split
Slide-out	3	
Spill-proof	4	4
ShelfSaver™ rack	●	
Vegetable/fruit crisper(s)	2 Adj. Humidity	2 Adj. Humidity
Snack pan	Clear	Clear
Modular door bins	4 (2 Adj.)	3
Snuggler™ clip(s)	2	2
Fixed door bins	1 F/W w/gal. storage	1 F/W w/gal. storage
Dairy compartment	●	●
Interior light	Single	Dual
Quiet package—Quiet Design	Deluxe	Deluxe
Automatic moisture control	●	●
NeverClean™ condenser	●	●
<b>Freezer Features</b>		
Factory-installed electronic icemaker & bin	Opt. (UK Kit-3S)	Opt. (IM4)
Ice 'N Easy trays	2	2
Ice tray shelf	●	
Ice storage bin	●	Utility
Full slide-out wire basket(s)	1 F/W	1 F/W
Wire compartment shelves	1 F/W	2 Split
Interior light	1	1
<b>Exterior</b>		
Color(s) available*	WW, CC, BB	WW, CC
Door handle(s)	Color-Matched Extruded	Color-Matched
Exterior design	Square Doors	Rounded Doors
Door stops	●	●
Reversible doors	●	●
Adjustable rollers	Front	Front
<b>Weights &amp; Dimensions</b>		
Height to top of hinge (in.) A	68-3/8	66-1/4
Height to top of case (in.) B	67-5/8	65-3/4
Case depth without door (in.) C	28-3/4	25-1/4
Case depth less door handle (in.) D	32-3/4	28
Case depth with door handle (in.) E	33-3/4	30-3/8
Depth w/door open 90° (in.) F	64-1/2	57-3/4
Width (in.) G	32-5/8	31
Side clearance for 90° door open	2-1/8	2-1/4
Air clearances Each side (in.)	0	0
Top (in.)	1	1
Back (in.)	1	1/2
Approx. shipping weight (lbs.)	325	257

\*Color(s) available: WW = White on white, CC = Bisque on bisque, BB = Black on black.

ALL MODELS AVAILABLE IN U.S. AND CANADA.

## Bottom-Freezer Refrigerators

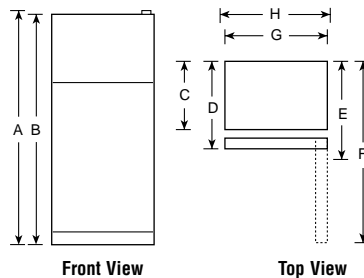


## Cycle and Manual Defrost Refrigerators

	Cycle Defrost		Manual Defrost
	GFR12AAM	GMS10AAM	
<b>Capacity</b>			
Total (cu. ft.)	11.7	9.7	
Fresh food (cu. ft.)	9.04	8.74	
Freezer (cu. ft.)	2.61	.97*	
Shelf area (sq. ft.)	13.9	9.88	
<b>Features</b>			
Ice 'N Easy trays	2	2	
Freezer chiller tray with baffle		●	
Cabinet shelves	2 Adj.	2 Adj.	
Vegetable/fruit crisper	2	1 F/W	
Door shelves	3	5 (2 Egg)	
Tall bottle storage on door	●	●	
Dairy compartment(s)	1 Full Door Width	1	
Egg storage bin		Pockets	
Freezer compartment shelf(s)	1 F/W	1 F/W	
<b>Economical/Quiet</b>			
Cabinet/door insulation	Foam	Foam	
Cabinet/door liner	Plastic	Plastic	
<b>Appearance</b>			
Color(s) available	White	White	
Door handle(s)	White Recessed	Black	
Reversible doors	●	●	
Right or left door opening		●	
<b>Weights &amp; Dimensions</b>			
Height to top of hinge (in.) A	59-1/2	58	
Height to top of case (in.) B	59-5/16	57-9/16	
Case depth without door (in.) C	26	21-3/8	
Case depth with door less handle (in.) D	28	23-1/2	
Case depth with door handle (in.) E	28	24-13/16	
Depth with door open 90° less door handle (in.) F	50-1/8	44-13/16	
Width (in.) G	23-1/2	23	
Width w/door open 90° less door handle (in.) H	23-1/2	23-1/2	
Air clearances Each side (in.)	1/4	5/8	
Top (in.)	1	2	
Back (in.)	2	1	
Approx. shipping weight (lbs.)	139	135	

\*Compartment for short-term storage of frozen food. The frozen food compartment of this refrigerator will make ice, and pre-frozen foods can be stored for about **two weeks**. It will not effectively freeze fresh foods or provide long-term storage for meats, poultry, or fish.

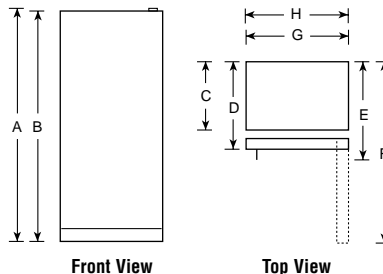
## Cycle Defrost Two Door Refrigerator



Listed by Underwriters Laboratories, Inc.



## Manual Defrost Single Door Refrigerator



## Spacemaker™ Compact Refrigerators

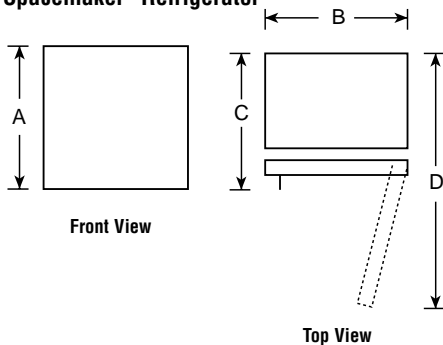
	GMR06AAM	GMR04BAN	GMR02BAN
<b>Capacity</b>			
Total (cu. ft.)	6.0	4.3	1.7
Fresh food (cu. ft.)	5.51	3.89	1.51
Freezer (cu. ft.)	.49*	.42*	.21*
Shelf area (sq. ft.)	8.8	6.0	2.9
<b>Features</b>			
Ice 'N Easy trays	1 Mini	1 Mini	1 Mini
Manual defrost	●	●	●
Cabinet shelves (wire)	2 Adj.	2-1/2 Adj.	1
Can rack		●	
Door shelves	3 FW	1 FW, 2 Half-Width	1 FW, 1 Half-Width
<b>Economical/Quiet</b>			
Cabinet/door insulation	Foam	Foam	Foam
Cabinet/door liner	HIPS	ABS	Polystyrene
<b>Appearance</b>			
Color(s) available**	WW	WW, BB	WW
Door handles	White Visor	Color-Matched Recessed	Color-Matched Recessed
Rounded doors		●	●
<b>Weights &amp; Dimensions</b>			
Height (in.) A	34-1/4	33-1/4	18-15/16
Width (in.) B	23-5/8	20-11/16	17-1/2
Depth with handle (in.) C	25-7/8	21-3/4	19-1/4
Depth with door open 90° (in.) D	47-1/2	40-1/4	35-1/2
Air clearances Each side (in.)	0†	1/2	1/2
Top (in.)	1-1/2	2	2
Back (in.)	3/4	2	2
Approx. shipping weight (lbs.)	88	79	51
<b>Accessories</b>			
Custom trim and black panel	TK6 Optional		

\*Compartment for short-term storage of frozen food. The frozen food compartment of this refrigerator will make ice, and pre-frozen foods can be stored for about **two weeks**. It will not effectively freeze fresh foods or provide long-term storage for meats, poultry, or fish.

\*\*WW = White on white, BB = Black on black.

† If installed against a wall, allow 1-1/4" on hinge side to allow for proper door opening.

## Spacemaker™ Refrigerator



**Note: Right-hand Refrigerator Door:** As you face the front of the refrigerator, the handle is on your left and the hinges are on your right.  
**Left-hand Refrigerator Door:** As you face the front of the refrigerator, the handle is on your right and the hinges are on your left.

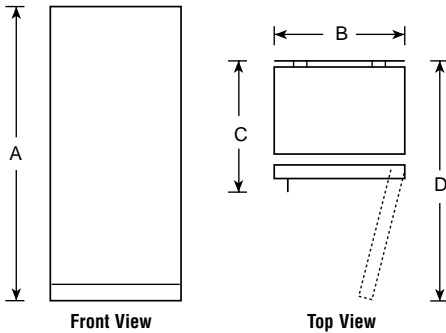
# Freezer Specifications

GE® Upright Freezers	Frost-Free			Manual Defrost				
	FUF20DM	FUF17DM	FUF14DM	FUM21DM	FUM17DM	FUM14DM	FUM14SM	FUM5SM
<b>Capacity</b>								
Total volume (cu. ft.)	20.3	16.7	13.7	20.6	17.1	14.1	14.1	5.0
Shelf area (sq. ft.)	23.9	18.4	14.3	25.3	19.1	17.9	15.0	6.0
<b>Features</b>								
Temperature control	Adjustable	Adjustable	Adjustable	Adjustable	Adjustable	Adjustable	Adjustable	Adjustable
Limited food loss warranty*	●	●	●	●	●	●	●	●
Door shelves (total)	6 (2 juice shelves)	5 (2 juice shelves)	5 (2 juice shelves)	6 (2 juice shelves)	5 (2 juice shelves)	5 (2 juice shelves)	5 (2 juice shelves)	3
Defrost water drain				●	●	●	●	●
Interior light	●	●	●	●	●	●		
Lock	●	●	●	●	●	●		
Cabinet shelves (total)	5 (3 Adj.)	4 (3 Adj.)	3 (2 Adj.)	5 (1 Adj.)	4 (1 Adj.)	4 (1 Adj.)	3	2
Slide-out bulk storage basket	1	1	1	1		1		1
<b>Economical/Quiet</b>								
Defrost	Frost-Free	Frost-Free	Frost-Free	Manual	Manual	Manual	Manual	Manual
Magnetic door gasket	●	●	●	●	●	●	●	●
Cabinet liner	Baked enamel-on-steel	Baked enamel-on-steel	Baked enamel-on-steel	Baked enamel-on-steel	Baked enamel-on-steel	Baked enamel-on-steel	Baked enamel-on-steel	Polystyrene
Wrap-around condenser	●	●	●	●	●	●	●	●
<b>Appearance</b>								
Color available	White	White	White	White	White	White	White	White
Door handle	●	●	●	●	●	●	Recessed	Recessed
Textured steel case/door	●	●	●	●	●	●	●	●
<b>Weights &amp; Dimensions</b>								
Height (in.) A	70	64-1/2	59	70	64-1/2	59	59	33-1/2
Width (in.) B	32	32	28	32	32	28	28	21-3/8
Depth (in.) C	28-1/2	26-1/2	28-1/2	28-1/2	26-1/2	28-1/2	28-1/2	26-3/16
Depth with door open 90° (in.) D	59-1/8	57-1/8	55-1/8	59-1/8	57-1/8	55-1/8	55-1/8	45-3/4
Air clearances	Each side (in.)	3	3	3	3	3	3	1
	Top (in.)	3	3	3	3	3	3	4
	Back (in.)	3	3	3	3	3	3	4
Approx. shipping weight (lbs.)	235	213	186	224	200	177	177	80

NOTE: For proper installation of Upright Freezers (except FUM9SM and FUM5SM), allow clearance of 3"-4" on top.

CM = Color-Matched.

## Upright Freezers



\*See written warranty for complete details.

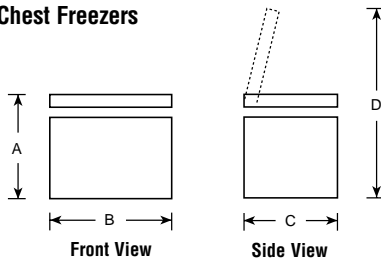
See page 75 for warranty information.

# Freezer Specifications

<b>GE® Chest Freezers</b>	<b>FCM25RM</b>	<b>FCM20DM</b>	<b>FCM15DM</b>	<b>FCM15SM</b>	<b>FCM9DM</b>	<b>FCM7DN</b>	<b>FCM5DM</b>	<b>FCM5SM</b>
<b>Capacity</b>								
Total volume (cu. ft.)	25.1	19.7	14.8	14.8	8.8	7.0	5.0	5.0
<b>Features</b>								
Manual defrost	●	●	●	●	●	●	●	●
Temperature control	Adjustable	Adjustable	Adjustable	Adjustable	Adjustable	Adjustable	Adjustable	Adjustable
Power "ON" light						●	●	
Wrap-around condenser	●	●	●	●	●	●	●	
Wrap-around evaporator	●	●	●	●	●	●	●	
Limited food loss warranty*	●	●	●	●	●	●	●	
Defrost water drain	●	●	●	●	●	●	●	
Interior light	●	●	●		●			
Lock	●	●	●		●	●	●	
Lift-out and sliding bulk storage basket(s)	4	3	2	1	2	2	2	1
<b>Economical/Quiet</b>								
Insulation (cabinet and lid)–Foam	●	●	●	●	●	●	●	●
Cabinet liner	Steel Epoxy-Coated	Steel Epoxy-Coated	Steel Epoxy-Coated	Steel Epoxy-Coated	Steel Epoxy-Coated	Textured Aluminum	Textured Aluminum	Textured Aluminum
<b>Appearance</b>								
Color available	White	White	White	White	White	White	White	White
Handle	●	●	●	Recessed	●	Recessed	Recessed	Recessed
Textured steel case and lid	●	●	●	●	●			
<b>Weights &amp; Dimensions</b>								
Height (in.) A	35	35	35	35	34-1/4	33-1/8	33	33
Width (in.) B	73-7/8	61-1/4	48	48	41	38	29-1/8	29-1/8
Depth (in.) C	28-3/4	29-1/2	29-1/2	29-1/2	23-1/4	22-3/8	22-3/16	22-3/16
Height with lid open (in.) D	59-3/4	60-3/4	60-3/4	60-3/4	54-1/4	53-1/4	53-3/16	53-3/16
Air clearances Each side (in.)	3	3	3	3	3	3	3	3
Back (in.)	3	3	3	3	3	3	3	3
Approx. shipping weight (lbs.)	245	195	161	161	127	126	101	101

CM = Color-Matched.

## Chest Freezers



\*See written warranty for complete details.

See page 75 for warranty information.

## Smooth Top Ranges

Hotpoint free-standing smooth top ranges provide quick cooking response. The fast, ribbon heating elements are positioned beneath the smooth cooktop and direct heat straight up to the pan. This sophisticated cooking method provides even heat for uniform cooking. The hot surface indicator lights provide safe, confident cooking. Electronic oven controls provide an easy, two-step self-clean oven operation.



### 5.0 cu. ft. capacity

Hotpoint's smooth top ranges now have an oven that is big enough to handle just about any cooking needs.



### Two-step self-clean

Simply latch the oven door and turn to "Auto Self-Clean" the oven does the rest.



### Ribbon heating elements

Unlike conventional elements, the heat comes from brightly glowing ribbon elements positioned beneath the smooth fingerprint-and-scratch-resistant patterned ceramic-glass surface.



### Single control knob

Quickly and easily sets your oven to bake, broil, or even self-clean with the turn of a single control.



### Frameless glass oven door

The full-width frameless door offers easy-clean, contemporary styling.

### Removable full-width storage drawer

Conveniently stores cooking utensils close at hand. Drawer removes easily for cleaning underneath.



### Electronic oven controls

Easy-to-use electronic oven controls provide:

- Simple touch pad oven operation
- Auto Self-Clean
- Self-clean cycling light
- Preheated oven light with audible preheat signal
- Auto oven shut-off
- Electronic clock and timer
- Automatic oven timer
- Oven "ON" light
- Delay Bake option.



RB798WC

Hotpoint free-standing coil ranges are perfect solutions for today's busy schedules! Self-clean ovens save you time and effort. On ranges with one-piece, upswept cooktops, a simple wipe-up does the job. White on white models are designed to complement the elegance and efficiency of today's kitchens.



**5.0 cu. ft. capacity**  
Hotpoint's coil ranges now have an oven that is big enough to handle just about any cooking possibility.



**One-piece upswept cooktop**  
No cracks or crevices to trap dirt! The porcelain enamel-on-steel surface wipes clean easily.



**Lift-up cooktop**  
Cooktop lifts up to allow easy clean-up of hard-to-reach spots underneath.



**Plug-in surface elements**  
Unplug to permit clean-up or removal of drip bowls for easy cleaning in dishwasher. Plus easy access for cleaning of recessed areas designed to catch spillovers.



**Two-step self-clean**  
Simply latch the oven door and turn to "Auto Self-Clean"—the oven does the rest.



**Frameless glass oven door**  
The full-width frameless door offers easy-clean, contemporary styling.

**Calrod® surface elements**  
An exclusive feature. The design of the removable Calrod surface elements assures fast, clean cooking and better heat distribution.

**Removable full-width storage drawer**  
Conveniently stores cooking utensils close at hand. Drawer removes easily for cleaning underneath.



**Electronic oven controls**  
Easy-to-use electronic oven controls provide: • Simple touch pad oven operation • Auto Self-Clean • Self-clean cycling light • Preheated oven light with audible preheat signal • Auto oven shut-off • Electronic clock and timer • Automatic oven timer • Oven "ON" light • Delay Bake option.

All features may not be available on all models.

## 30" Electric Ranges

**These models** feature 5.0 cu. ft. capacity self-clean ovens; electronic clock and minute timer; two oven shelves; broiler pan with grid; lift-off oven door; interior oven light; infinite heat controls; removable, full-width storage drawer; and porcelain-enameled, upswept cooktop. Models RB798WC/BC and RB787WC/BC have ribbon cooktops.

### **RB798WC**

- White on white model
- Circuwave™
- Smooth, easy-to-clean fingerprint-and scratch-resistant patterned glass cooktop
- Two 8" and two 6" ribbon heating elements
- Hot surface indicator lights
- Frameless white glass oven door with Big View window
- Designer-style handle

### **RB798BC**

- Black on black model
- Same features and appearance as RB798WC.

### **RB787BC**

- Black on black model
- Smooth, easy-to-clean fingerprint-and scratch-resistant patterned ceramic-glass cooktop
- Two 8" and two 6" ribbon heating elements
- Hot surface indicator lights
- Auto oven shut-off
- Two-step self-clean
- Single oven control knob
- Frameless white glass oven door with window
- Designer-style handle

### **RB787WC**

- White on white model
- Same features and appearance as RB787BC.

### **RB757WC**

- White on white model
- Auto oven shut-off
- Two-step self-clean
- Two 8" and two 6" plug-in Calrod® heating elements with one-piece chrome drip bowls
- Lift-up cooktop
- Frameless white glass oven door with window
- Designer-style handle

### **RB757BC**

- White or Bisque model
- Same features and appearance as RB757WC, except has porcelain-enameled drip bowls, black control panel and black glass oven door.

### **RB753BC**

- White or Bisque model
- Two 8" and two 6" plug-in Calrod® heating elements with one-piece chrome drip bowls
- Frameless black glass oven door
- Designer-style handle



**RB798WC**  
*Ribbon Range*



**RB787BC**  
*Ribbon Range*



## 30" Electric Ranges



**RB757WC**  
*Self-Clean Oven*



**RB757BC**  
*Self-Clean Oven*



**RB753BC**  
*Self-Clean Oven*



### Electronic oven controls

Easy-to-use electronic oven controls provide:

- Simple touch pad oven operation
- Auto Self-Clean
- Self-clean cycling light
- Preheated oven light with audible preheat signal
- Auto oven shut-off
- Electronic clock and timer
- Automatic oven timer
- Oven "ON" light
- Delay Bake option.

For detailed specifications, installation information and color availability, refer to page 28. For warranty information, refer to page 75.

## 30" Electric Ranges

### 30" Free-Standing Electric Ranges

**These models** feature standard-clean ovens, easy-to-clean, upswept, porcelain-enameled cooktop; 5.0 cu. ft. capacity; two oven shelves; plug-in Calrod® heating elements; one-piece removable chrome drip bowls; full-width removable storage drawer and broiler pan with grid.

#### RB536BC

- White or Bisque model
- Electronic clock/timer
- Lift-up cooktop
- Two 8" and two 6" plug-in heating elements
- Frameless black glass oven door with window
- Designer-style handle

#### RB526C

- White on white or Bisque on bisque model
- Two 8" and two 6" plug-in heating elements
- Color-matched oven door with window
- Designer-style handle
- Electronic clock/timer

#### RB525BC

- White or Bisque model
- One 8" and three 6" plug-in heating elements
- Frameless solid black glass oven door
- Chrome visor door handle

#### RB525C (not shown)

- White or Almond model
- Same features and appearance as RB525BC, except has color-matched painted oven door.



RB536BC



RB526C



RB525BC

For detailed specifications, installation information and color availability, refer to page 28. For warranty information, refer to page 75.

## 24" Electric Range



**RA524W**

**RA524W**

- White model
- Standard-clean oven
- One 8" and three 6" plug-in heating elements with chrome drip bowls
- Lift-up cooktop with porcelain-enameled subtop
- Two heating element "ON" indicator lights

## 20" Electric Range



**RA520W**

**RA520W**

- White or Almond model
- Standard-clean oven
- One 8" and three 6" plug-in heating elements with chrome drip bowls
- Lift-up cooktop with porcelain-enameled subtop
- Two heating element "ON" indicator lights

# Electric Range Specifications

30" electric ranges	RB798WC RB798BC	RB787WC RB787BC	RB757WC RB757BC	RB753BC	RB536BC	RB526C	RB525BC	RB525C
<b>Features</b>								
Self-clean oven	●	●	●	●				
Oven capacity	5.0	5.0	5.0	5.0	5.0	5.0	5.0	5.0
Cleaning time	Variable	Variable	Variable	Variable				
Standard-clean oven					●	●	●	●
Circuwave™	●							
Oven shelves	2	2	2	2	2	2	2	2
Patterned cooktop	●	●						
Porcelain-enameled upswept cooktop			●	●	●	●	●	●
Lift-up cooktop			●	●	●	●	●	●
8-inch heating elements	2	2	2	2	2	2	1	1
6-inch heating elements	2	2	2	2	2	2	3	3
Ribbon heating elements	●	●						
Plug-in Calrod® heating elements			●	●	●	●	●	●
Removable one-piece drip bowls			Chrome Porcelain	Chrome	Chrome	Chrome	Chrome	Chrome
Electronic oven control	●	●	●	●				
Electronic clock and minute timer	●	●	●	●	●	●		
Electronic automatic oven timer	●	●	●					
Auto oven shut-off	●	●	●	●				
Audible preheat signal	●	●	●	●				
Hot surface indicator lights	●	●						
Heating element "ON" indicator lights			●	●	●	●	●	●
Oven cycling light	●	●	●	●	●	●	●	●
Interior oven light	●	●	●	●	●	●	●	●
Broiler pan with grid	●	●	●	●	●	●	●	●
<b>Appearance</b>								
Color appearance*	WW BB	WW BB	WW WH/CT	WH/CT	WH/CT	WW/CC	WH/CT	WH/AD
Oven window door	Big View	●	●		●	●		
Door handle	Designer-Style	Designer-Style	Designer-Style	Designer-Style	Designer-Style	Designer-Style	Visor	Visor
Lift-off oven door	White Glass Black Glass	White Glass Black Glass	White Glass Black Glass	Black Glass	Black Glass	CM	Black Glass	CM
Full-width storage drawer	●	●	●	●	●	●	●	●
<b>Weights and Dimensions</b>								
Overall oven interior dimensions (W x H x D in inches)	← 23 -3/4 x 19 x 18-1/2 →							
KW rating @ 240V	10.6	10.5	11.7	10.2	12.6	11.0	10.1	10.1
@ 208V	8.0	7.9	8.8	7.7	9.9	8.7	8.0	8.0
Approx. shipping weight (lbs.)	164	166	155	149	158	150	150	155

\*BB=Black on black, WW=White on white, CC=Bisque on bisque, WH=White, CT=Bisque, AD=Almond, CM=Oven door is color-matched to cooktop and drawer front (either White, Bisque or Almond).

## 30" free-standing range installation information (in inches)

\*Dimensions from wall to front of closed oven door handle:  
28-1/2" on models RB798/787/757/753/536;  
28-3/8" on RB526C and RB525BC; 28" on RB525C

†The range may be placed with a 0" clearance (flush) at the back wall and side walls if the range side trims extend beyond the cabinet fronts at least 1/4". Self-Clean models only.

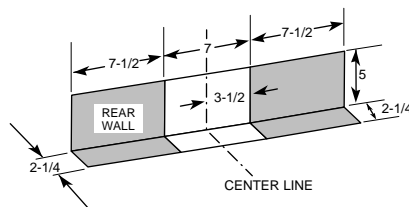
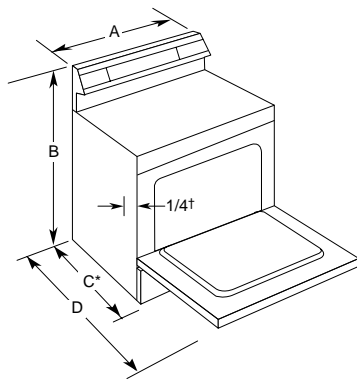
**FULL ONE-YEAR WARRANTY** One year from date of original purchase, we will provide free of charge, parts and service labor in your home to repair or replace any part of the appliance that fails because of a manufacturing defect. Complete details from your dealer.



Listed by Underwriters Laboratories



All Hotpoint ranges are equipped with an Anti-Tip device. The installation of this device is an important, required step in the installation of the range.



## 30" electric range dimensions (in inches)

Models	A Width	B Height	C* Depth	D Depth with door open
RB798WC	29-7/8	46-1/2	26-3/8	46-3/8
RB798BC	29-7/8	46-1/2	26-3/8	46-3/8
RB787WC	29-7/8	46-1/2	26-3/8	46-3/8
RB787BC	29-7/8	46-1/2	26-3/8	46-3/8
RB757WC	29-7/8	46-1/2	26-3/8	46-3/8
RB757BC	29-7/8	46-1/2	26-3/8	46-3/8
RB753BC	29-7/8	46-1/2	26-3/8	46-3/8
RB536BC	29-7/8	46-1/2	26-3/8	46-3/8
RB526C	29-7/8	46-1/2	26-3/8	46-3/8
RB525BC	29-7/8	46-1/2	26-3/8	46-3/8
RB525C	29-7/8	46-1/2	26-3/8	46-3/8

\*Dimensions from wall to front of closed oven door.

**Note:** 30" Electric Ranges conform to U.L. requirements for 0" spacing from walls below countertops. Allow 1-1/2" spacing from the side of the range to adjacent vertical walls above the cooktop surface.

### Receptacle locations

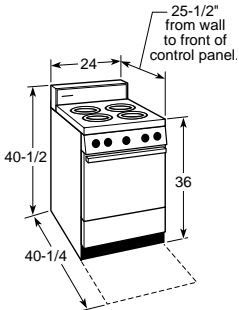
Locally approved flexible service cord or conduit must be used because terminals are not accessible after range installation. See shaded area in drawing for location of electrical outlet box. Recommended outlet locations allow range to be installed directly against rear wall.

# Electric Range Specifications

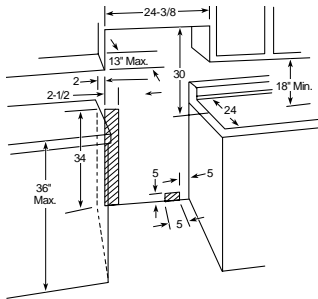
Hotpoint 24" and 20" electric ranges	24" range RA524W	20" range RA520W
<b>Features</b>		
Oven cleaning	Standard	Standard
Oven shelves	2	2
Recessed lift-up cooktop	●	●
Porcelain-enameled subtop	●	●
8-inch heating elements	1 Plug-in	1 Plug-in
6-inch heating elements	3 Plug-in	3 Plug-in
Removable drip bowls	Chrome	Chrome
Push-to-turn controls	●	●
Heating element "ON" indicator lights	2	2
Oven cycling light	●	●
Broiler pan with grid	●	●
<b>Appearance</b>		
Color appearance	WH*	WH/AD*
Porcelain-enameled oven door	Solid CM*	Solid CM*
Four leveling legs	●	●
<b>Weights and Dimensions</b>		
Overall oven interior dimensions (W x H x D in inches)	19 x 14 x 19	16 x 15 x 19
KW rating @ 240V	8.2	8.2
@ 208V	6.2	6.2
Approx. ship. wt. (lbs.)	145	120

\*WH=White, AD=Almond, CM=Color-Matched.

## 24" free-standing range dimensions and installation information (in inches)

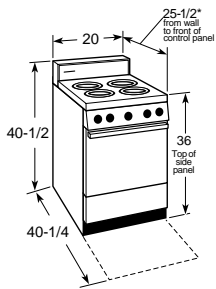


\*Depth including handle 25-9/16".  
Depth to front of control knobs 26

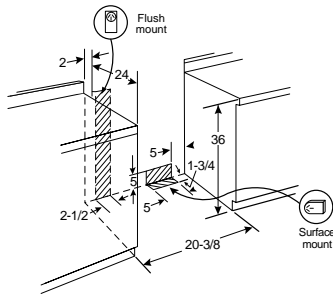


**Note:** 24" Ranges conform to U.L. requirements for 0" spacing from range to adjacent walls below countertop.

## 20" free-standing range dimensions and installation information (in inches)



\*Depth including handle 25-9/16".  
Depth to front of control knobs 26-1/8"



**Note:** Compact 20" Electric Ranges conform to U.L. requirements for 0" spacing from range to adjacent walls below countertop.

### Receptacle locations

Locally approved flexible service cord or conduit must be used because terminals are not accessible after range installation. See shaded area in drawings for location of electrical outlet box. Recommended outlet locations allow range to be installed directly against rear wall.

**Installation information:** Before installing, consult installation instructions packed with product for current dimensional data.



All Hotpoint ranges are equipped with an Anti-Tip device. The installation of this device is an important, required step in the installation of the range.



Listed by  
Underwriters  
Laboratories

# Gas Ranges

Hotpoint Capacity Plus™ gas ranges feature more usable oven capacity than any other leading manufacturers' brand. Available with self-clean or standard-clean ovens. Select models feature sealed burners that provide both simmer capability and maximum output, an extra-large broiler pan and grid, six embossed rack positions and porcelain-enameled upswept cooktop.



### Sealed gas burners

Special burner design helps contain spills and boiling-over liquids from dripping beneath cooktop for easy clean-up.



### Simmer 600 burner

Offers true simmer capability with a low (600 BTU) setting. Provides low, even heat distribution for delicate foods and sauces.



### Performance Plus burner

Provides maximum output (12,000 BTU) for faster boiling and to heat foods quickly.



### EasySet clock and oven timer

Easy-to-use electronic touch pad controls and delayed baking function make cooking simple.



### Capacity Plus™ gas ranges

Extra-large oven has more usable capacity than any other leading manufacturers' brand. Sixth embossed rack position increases cooking flexibility.



### One-piece upswept cooktop

No cracks or crevices to trap dirt. The porcelain enamel-on-steel surface wipes clean easily.



### Extra-large broiler pan/grid

Porcelain-enameled broiler pan and grid are extra large. Allows for extra broiling space.



### Lift-up cooktop with easy-clean subtop

Standard burner models have a cooktop that lifts up for easy access to porcelain-enameled subtop. Twin rod supports allow cooktop to lift and lock into place. No pipes or wires to interfere with clean-up.

All features may not be available on all models.

## CAPACITY PLUS™ 30" Free-Standing Gas Ranges

These models feature more usable oven capacity than any other leading manufacturers' brand; a sixth embossed rack position; extra-large broiler pan; porcelain-enameled upswept cooktop; interior oven light and electronic pilotless ignition.

### RGB845WEC

- White on white model
- Extra-large, self-clean oven
- Sealed cooktop burners
- Simmer 600 burner
- Performance Plus burner
- Heavy-steel grates
- In-oven broiling
- Frameless white glass oven door with Big View window
- EasySet III clock and oven timer
- Removable chrome drip pans
- Storage drawer

### RGB845BEC (not shown)

- White model
- Same features as RGB845WEC, except has black control panel and black glass oven door.

### RGB745WEA

- White on white model
- Extra-large, self-clean oven
- Sealed cooktop burners
- Simmer 600 burner
- Performance Plus burner
- Heavy-steel grates
- In-oven broiling
- Frameless white glass oven door with window
- EasySet III clock and oven timer
- Removable black porcelain-enameled drip pans
- Storage drawer

### RGB745BEA

- White or Bisque model
- Same features as RGB745WEA, except has black control panel and black glass oven door.



RGB845WEC  
CAPACITY PLUS™



RGB745WEA  
CAPACITY PLUS™



RGB745BEA  
CAPACITY PLUS™

For detailed specifications, installation information and color availability, refer to page 36. For warranty information refer to page 75.

# 30" Gas Ranges

## CAPACITY PLUS™ 30" Free-Standing Gas Ranges



These models feature more usable oven capacity than any other leading manufacturers' brand; a sixth embossed rack position; extra-large broiler pan; porcelain-enameled, upswept cooktop; interior oven light; slide-out broiler drawer and electronic pilotless ignition.

### RGB535BEA

- White or Bisque model
- Extra-large standard-clean oven
- Sealed cooktop burners
- Simmer 600 burner
- Performance Plus burner
- Heavy-steel grates
- Frameless black glass oven door with window
- Electronic clock/timer
- Removable black porcelain-enameled drip pans

### RGB533WEA

- White on white model
- Extra-large standard-clean oven
- Sealed cooktop burners
- Simmer 600 burner
- Performance Plus burner
- Frameless white glass oven door with window
- Electronic clock/timer

### RGB532BEA

- White or Bisque model
- Extra-large standard-clean oven
- Sealed cooktop burners
- Simmer 600 burner
- Performance Plus burner
- Frameless black glass oven door with window
- Electronic clock/timer

### RGB528BEA

- White or Bisque model
- Extra-large standard-clean oven
- Frameless black glass oven door with window
- Electronic clock/timer
- Twin cooktop burners
- Lift-up cooktop

### RGB528PEA

- White on white model
- Extra-large standard-clean oven
- White porcelain-enameled oven door with window
- Electronic clock/timer
- Twin cooktop burners
- Lift-up cooktop



RGB535BEA  
CAPACITY PLUS™



RGB533WEA  
CAPACITY PLUS™



30" Gas Ranges



**RGB532BEA**  
*CAPACITY PLUS™*



**RGB528BEA**  
*CAPACITY PLUS™*



**RGB528PEA**  
*CAPACITY PLUS™*

For detailed specifications, installation information and color availability, refer to page 36. For warranty information refer to page 75.

# 30" Gas Ranges

## CAPACITY PLUS™ 30" Free-Standing Gas Ranges

These models feature an extra-large standard oven; six embossed rack positions; twin cooktop burners and lift-up cooktop.

### RGB526PEA

- White or Bisque model
- Extra-large standard-clean oven
- Color-matched porcelain-enameled oven door with window
- Electronic oven controls
- Slide-out broiler drawer
- Electronic pilotless ignition

### RGB524PEA

- White or Bisque model
- Extra-large standard-clean oven
- Solid color-matched porcelain-enameled oven door
- Slide-out broiler drawer
- Electronic pilotless ignition

### RGB524PPA

- White or Bisque model
- Same features as RGB524PEA, except with standing pilot ignition system.

### RGB508PEA

- White or Bisque model
- Extra-large standard-clean oven
- Solid color-matched porcelain-enameled oven door
- Drop-down broiler door
- Electronic pilotless ignition

### RGB508PPA

- White or Almond model
- Same features as RGB508PEA, except with standing pilot ignition system.



RGB526PEA  
CAPACITY PLUS™



RGB524PEA/PPA  
CAPACITY PLUS™



RGB508PEA/PPA  
CAPACITY PLUS™

For detailed specifications, installation information and color availability, refer to page 36. For warranty information refer to page 75.

## 24" Compact Gas Ranges



**RGA524EW/PW**

**RGA524EW**

- White model
- Standard-clean oven
- Electronic pilotless ignition
- Porcelain-enameled oven door
- Recessed, lift-up cooktop
- Round burner grates
- Push-to-turn controls

**RGA524PW**

- White model
- Same features as RGA524EW, except with standing-pilot ignition system.

## 20" Compact Gas Ranges



**RGA520EW/PW**

**RGA520EW**

- White model
- Standard-clean oven
- Electronic pilotless ignition
- Porcelain-enameled oven door
- Recessed, lift-up cooktop
- Round burner grates
- Push-to-turn controls

**RGA520PW**

- White model
- Same features as RGA520EW, except with standing-pilot ignition system.

For detailed specifications, installation information and color availability, refer to page 37. For warranty information refer to page 75.

# Gas Range Specifications

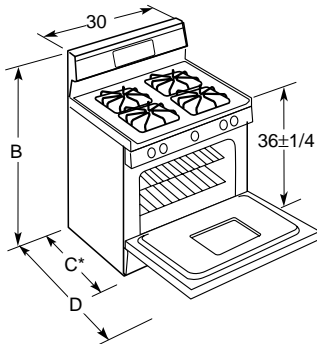
## 30" CAPACITY PLUS™ Gas Ranges

	RGB845WEC RGB845BEC	RGB745WEA RGB745BEA	RGB535BEA	RGB533WEA	RGB532BEA	RGB528BEA RGB528PEA	RGB526PEA	RGB524PEA RGB524PPA	RGB508PEA RGB508PPA
<b>Features</b>									
Extra-large oven	Self-clean	Self-clean	Standard-Clean	Standard-Clean	Standard-Clean	Standard-Clean	Standard-Clean	Standard-Clean	Standard-Clean
Cooktop burners	Sealed	Sealed	Sealed	Sealed	Sealed	Twin	Twin	Twin	Twin
Performance Plus burner (Nat.)	(1) 12,000/1,000 BTU	(1) 12,000/1,000 BTU	(1) 12,000/1,000 BTU	(1) 12,000/1,000 BTU	(1) 12,000/1,000 BTU				
Simmer 600 burner (Nat.)	(1) 5,000/600 BTU	(1) 5,000/600 BTU	(1) 5,000/600 BTU	(1) 5,000/600 BTU	(1) 5,000/600 BTU				
All purpose sealed burners (Nat.)	(2) 9,500/850 BTU	(2) 9,500/850 BTU	(2) 9,500/850 BTU	(2) 9,500/850 BTU	(2) 9,500/850 BTU				
Oven controls	EasySet III	EasySet III	Electronic Clock/Timer	Electronic Clock/Timer	Electronic Clock/Timer	Electronic Clock/Timer	Electronic Clock/Timer	Knob	Knob
Automatic oven timer	Electronic	Electronic							
Porcelain-enameled cooktop	Upswept	Upswept	Upswept	Upswept	Upswept	Upswept	Upswept		
Lift-up cooktop						●	●	●	●
Easy-clean subtop						●	●	●	●
Valves (degree of turn)	270°	270°	270°	270°	270°	140°	140°	140°	140°
Removable drip pans	Chrome	Chrome	Black Porc.-Enam.	Opt. Access.	Black Porc.-Enam.	Opt. Access.	Opt. Access.	Opt. Access.	Opt. Access.
Removable square grates	Heavy-steel	Grey Heavy-steel Black Heavy-steel	Black Heavy-steel	Grey	Black	Black Grey	Black	Black	Black
Ignition system	Electronic	Electronic	Electronic	Electronic	Electronic	Electronic	Electronic	Electronic Pilot	Electronic Pilot
Oven shelves	2	2	2	2	2	2	2	2	2
Six embossed rack positions	●	●	●	●	●	●	●	●	●
Interior oven light	●	●	●	●	●	●	●		
In-oven broiling	●	●							
Slide-out broiler drawer			●	●	●	●	●	●	Drop down door
Removable storage drawer	●	●							
<b>Appearance</b>									
Color appearance*	WW WH	WW WH/CT	WH/CT	WW	WH/CT	WH/CT WW	WH/CT	WH/CT WH/CT	WH/CT WH/AD
Frameless oven door	Big View	White Glass Black Glass	Black Glass	White Glass	Black Glass	Black Glass White Porc.-Enam.	CM Porc.-Enam.	Solid CM Porc.-Enam.	Solid CM Porc.-Enam.
Oven door with window	●	●	●	●	●		●		
Handle style	Designer-style	Designer-style	Designer-style	Designer-style	Designer-style	Designer-style Visor	Visor	Visor	Visor
Removable oven door	●	●	●	●	●	●	●	●	●
<b>Weights and Dimensions</b>									
Overall oven interior dimensions (WxHxD in inches)	← 24x17x19 →								
Approx. shipping weight (lbs.)	185	185	185	185	185	165	165	147	166
<b>Power/Ratings</b>									
Gas range electrical rating**	← 120V, 60 Hz, 5A →								
Top burner† (000's BTU's)	← (1)-12.0/9.5 (1)-5.0/3.5 (2)-9.5/7.0 →					← 9.0/8.0 →			
NAT/LP									
Oven/broiler burner† (000's BTU's)	← 16.0/16.0 - Oven 13.5/12.0 - Broil →		← 18.0/16.5 →						
NAT/LP									
<b>Accessories</b>									
LP conversion kit	●	●	●	●	●	●	●	●	●

\*WW=White on white, WH = White, CT = Bisque, AD = Almond, CM=Indicates color of oven door matches range cooktop (either White, Almond or Bisque)

\*\*Electrical rating not applicable to standing pilot models RGB524PPA/RGB508PPA

†Factory set for natural gas.



### 30" gas range dimensions (in inches)

Models	B Height	C* Depth	D Depth with door open
RGB845WEC	46-1/2	26-1/4	46-3/8
RGB845BEC	46-1/2	26-1/4	46-3/8
RGB745WEA	46-1/2	26-1/4	46-3/8
RGB745BEA	46-1/2	26-1/4	46-3/8
RGB535BEA	46-1/2	26-1/4	46-3/8
RGB533WEA	46-1/2	26-1/4	46-3/8
RGB532BEA	46-1/2	26-1/4	46-3/8
RGB528BEA	46-1/2	26-1/4	46-3/8
RGB528PEA	46-1/2	26-1/2	46-3/8
RGB526PEA	46-1/2	26-1/2	46-3/8
RGB524PEA/PPA	44	26-1/2	46-3/8
RGB508PEA/PPA	39-7/8	26-1/2	46-3/8

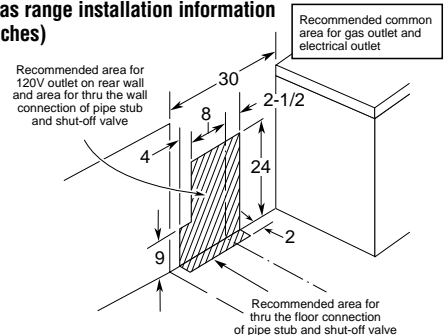
\*Depth from wall to front of closed oven door.

### Optional gas range accessory drip pans (Available at additional cost)

To order these accessory drip pans, call toll-free 800-626-2002.

**Installation information:** Before installing, consult installation instructions packed with product for current dimensional data.

### 30" gas range installation information (in inches)



All Hotpoint ranges are equipped with an Anti-Tip device. The installation of this device is an important, required step in the installation of the range.



Listed by Underwriters Laboratories

# Gas Range Specifications

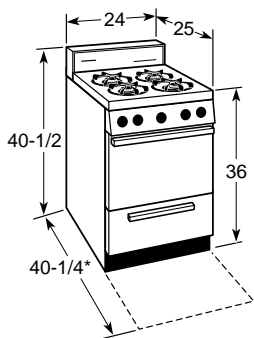
Hotpoint 24" and 20" Gas Ranges	24" range RGA524EW/PW	20" range RGA520EW/PW
<b>Features</b>		
Oven cleaning	Standard	Standard
Oven shelves	2	2
Recessed lift-up cooktop	●	●
Porcelain-enameled subtop	●	●
Round grates	●	●
Ignition system	Electronic/Pilot	Electronic/Pilot
Push-to-turn controls	●	●
Broiler pan with grid	●	●
Separate broiler drawer (with tip down door)	●	●
<b>Appearance</b>		
Color appearance*	WH	WH
Porcelain-enameled oven door	Solid color-matched	Solid color-matched
Removable oven door	●	●
Four leveling legs	●	●
<b>Weights and Dimensions</b>		
Overall oven interior dimensions (WxHxD in inches)	19 x 14 x 19	14-7/8 x 16 x 19-1/2
Burner BTU's:		
Top (Nat/LP)	9,000/8,000	9,000/8,000
Oven (Nat/LP)	18,000/18,000	18,000/18,000
Gas range electrical rating**	120V, 60 Hz, 5A	120V, 60 Hz, 5A
Approx. ship. wt. (lbs.)	140	124

\*WH=White

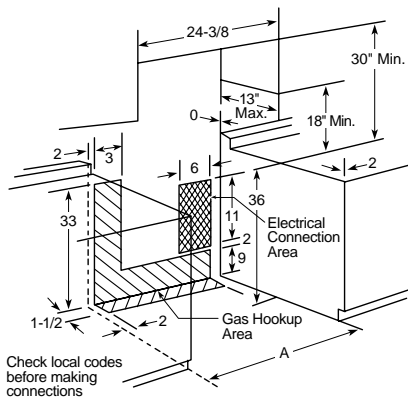
Factory set for natural gas. Can be converted to LP by a qualified technician.

\*\*Electrical rating not applicable to standing pilot model RGA524PW and RGA520PW.

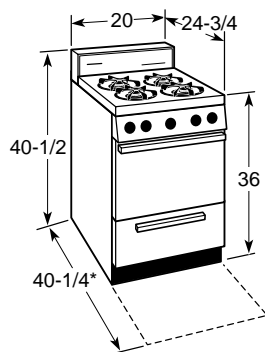
## 24" gas range dimensions and installation information (in inches)



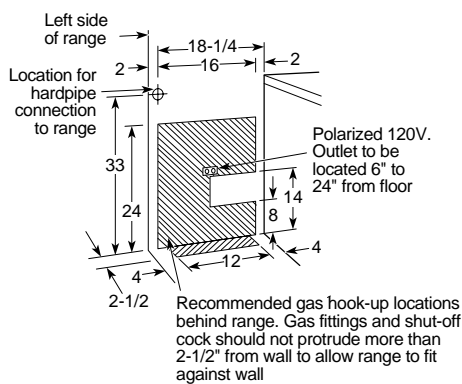
\*Depth including up-front angled control panel



## 20" gas range dimensions and installation information (in inches)



\*Depth including up-front angled control panel



All Hotpoint ranges are equipped with an Anti-Tip device. The installation of this device is an important, required step in the installation of the range.



Listed by Underwriters Laboratories



**Installation information:** Before installing, consult installation instructions packed with product for current dimensional data.

See page 75 for warranty information.

## GE Profile™—High-Performance Hoods



### JV666C

- 36" width
- Stainless steel
- Three-speed fan control plus boost
- Two halogen cooktop lights (50 watts each)
- Nightlight setting
- Vertical or rear exhaust (350/400-CFM)
- 3-1/4" x 10" rectangular duct (convertible to 7" round duct)

### JV665C (not shown)

- Same features and appearance as JV666C except available in White on white or Black on black.

### JV635C

- 30" width
- White on white (shown), or Black on black
- Three-speed fan control plus boost
- Two halogen cooktop lights (50 watts each)
- Nightlight setting
- Vertical or rear exhaust (350/400-CFM)
- 3-1/4" x 10" rectangular duct (convertible to 7" round duct)

### JV636C (not shown)

- Same features and appearance as JV635C except Stainless steel.

## GE Profile—Performance Hoods



### JV565C

- 36" width
- White on white (shown), Bisque on bisque or Black on black
- Two-speed fan control
- 200-CFM (max.)
- Two halogen cooktop lights (50 watts each)
- Convertible exhaust options (7" round, rectangular or nonvented)
- Rectangular damper and 7" round adapter included

### JV566C (not shown)

- Same features and appearance as JV565C except Stainless Steel.

### JV535C (not shown)

- Same features and appearance as JV565C except in 30" width.

### JV536C (not shown)

- Same features and appearance as JV566C except in 30" width.

**JXDA23** Round damper accessory available at additional cost. (Models JV666/665/636/635/566/565/536/535)

Optional charcoal filter accessory available

## GE® Deluxe Hoods



### JV347X

- 30" width
- White on white, Bisque on bisque, Almond on almond or Black on black
- Rotary control
- Three-speed fan
- Cooktop light with Nightlight setting
- Light cover
- Convertible exhaust (Shipped in nonvented configuration, convertible to 7" round or rectangular exhaust.)
- Rectangular damper included

## GE Standard Hoods



### JV327X

- 30" width
- White, Bisque or Almond
- 7" round duct
- Easy-to-use rocker switches
- Two-speed fan
- Cooktop light

### JV337X (not shown)

- White, Bisque or Almond
- 3-1/4" x 10" rectangular duct
- Rectangular damper included

### JN327X (not shown)

- White, Bisque or Almond
- Nonvented

**JXDA22** round damper accessory, available at additional cost. (Models JV347/337/327)

Light bulbs not included

	GE Profile						GE			
	High-Performance		Performance				Deluxe	Standard		
	30"	36"	JV636C	JV635C	JV536C	JV535C	JV347X	JV327X	JV337X	JN327X
<b>Hoods</b>										
<b>Features</b>										
Two-speed fan control					●	●		●	●	●
Three-speed fan control	plus boost	plus boost	plus boost	plus boost			●			
Vertical exhaust (CFM)	350	350	350	350	190	190	180	160	160	
Rear exhaust (CFM)	400	400	400	400	200	200	160		150	
Damper included (rectangular)	●	●	●	●	●	●	●		●	
Optional damper accessory (round)	JXDA23	JXDA23	JXDA23	JXDA23	JXDA23	JXDA23	JXDA22	JXDA22	JXDA22	
Sones rating:										
Top exhaust	4.0/7.0*	4.0/7.0*	4.0/7.0*	4.0/7.0*	4.0	4.0	8.0	8.0	8.0	
Rear exhaust	4.0/7.0*	4.0/7.0*	4.0/7.7*	4.0/7.7*	4.0	4.0	8.0		8.0	
Removable grease filters	2 <sup>†</sup>	2 <sup>†</sup>	2 <sup>†</sup>	2 <sup>†</sup>	2 <sup>††</sup>	2 <sup>††</sup>	Disposable 1-Pc. Filter <sup>†††</sup>	1 <sup>†††</sup>	1 <sup>†††</sup>	Disposable 1-Pc. Filter <sup>†††</sup>
Filter size (sq. in.)	207	207	171	171	171/207	171/207	90	90	90	90
Cooktop light(s)**	2 Halogen (50 watts)	2 Halogen (50 watts)	2 Halogen (50 watts)	2 Halogen (50 watts)	2 Halogen (50 watts)	2 Halogen (50 watts)	1	1	1	1
Nightlight position on light switch	●	●	●	●	●	●	●			
3-1/4" x 10" rectangular duct	●	●	●	●	●	●	Option		●	
7" round duct	●	●	●	●	●	●	Option	●		
Non-vented					●	●	Option			●
Silverstone underside coating	●	●	●	●						
<b>Appearance</b>										
Color appearance***	SS	WW/BB	SS	WW/BB	SS	WW/CC/BB	WW/CC/AA/BB	W/C/A	W/C/A	W/C/A
<b>Weights &amp; Dimensions</b>										
Approx. shipping weight (lbs.)	35	35	30	30	30	30	20	14	17	19
<b>Power/Ratings</b>										
Current rating amps @ 120V	2.5	2.5	2.5	2.5	1.4	1.4	2.5	2.5	2.5	2.5

\*Top exhaust soles rating when in boost mode at 1" W. C. backpressure.

\*\*Light bulbs not furnished.

\*\*\*SS = Stainless steel, WW = White on white, CC = Bisque on bisque, AA = Almond on almond, BB = Black on black, W = White, C = Bisque, A = Almond.

<sup>†</sup>WB02X10713 (30") or WB02X10710 (36") removable grease filter is available for additional cost. Call toll-free 800.626.2002. (Models JV666/665 and JV636/635)

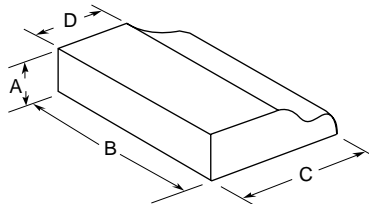
<sup>††</sup>WB02X10709 (30") or WB02X10706 (36") removable grease filter and WB02X10707 (30") or WB02X10708 (36") removable charcoal filter are available for additional cost.

Call toll-free 800.626.2002. (Models JV566/565 and JV536/535)

<sup>†††</sup>WB02X9381 replacement grease filter and WB02X10700 replacement charcoal filter are available for additional cost. Call toll-free 800.626.2002. (Models JV347/327/337 and JN327)

### Dimensions (in inches)

Model	A	B	C	D
JV666/JV665	7-1/4	35-7/8	20	12
JV636/JV635	7-1/4	29-7/8	20	12
JV536/JV535	7-1/4	29-7/8	20	12
JV566/JV565	7-1/4	35-7/8	20	12
JV347	5-1/2	29-7/8	17-1/2	12
JV337	5-1/2	29-7/8	17-1/2	12
JV327	5-1/2	29-7/8	17-1/2	12
JN327	5-1/2	29-7/8	17-1/2	12

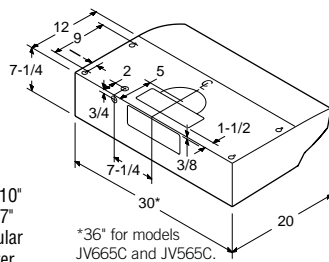


JXHC1 cord kit allows a receptacle in the cabinet over the range to accommodate either an over-the-range microwave oven or a standard hood.

### Hood dimensions (in inches)

## 1 Models: JV666C, JV665C, JV636C, JV635C, JV536C, JV535C, JV566C, and JV565C

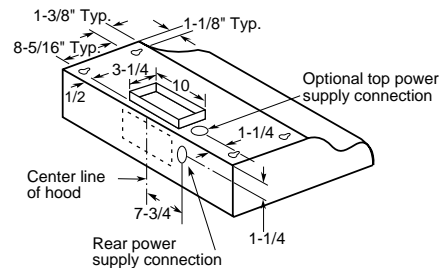
Exhaust outlet connects to 3-1/4" x 10" duct (vertically or horizontally) and 7" round (vertically). Includes rectangular damper and 7" round damper adapter. Round damper accessory, JXDA23, available at additional cost.



\*36" for models JV665C and JV565C.

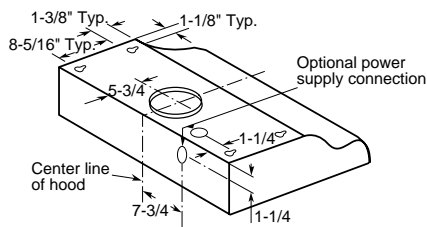
## 2 Models: JV347X\* and JV337X

\*JV347X—Refer to this drawing for rectangular exhaust option. Refer to drawing 3 for round exhaust option. Exhaust outlet connects to 3-1/4" x 10" rectangular duct. Vent top or rear. Includes rectangular damper.



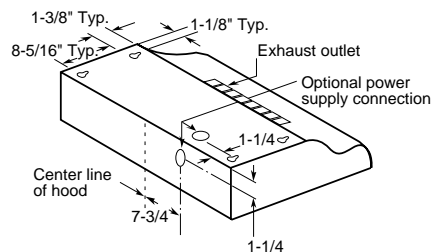
## 3 Models: JV347X\* and JV327X

\*JV347X—Refer to this drawing for round exhaust option. Refer to drawing 2 for rectangular exhaust option. Exhaust outlet connects to 7" diameter duct. Vent top only. Round damper accessory, JXDA22, available at additional cost.



## 4 Model: JN327X

**Note:** Before installing, consult installation instructions packed with product for current dimensional data.



# Counter Saver Plus™ Microwave Ovens

## Microwave convenience with no loss of usable countertop space

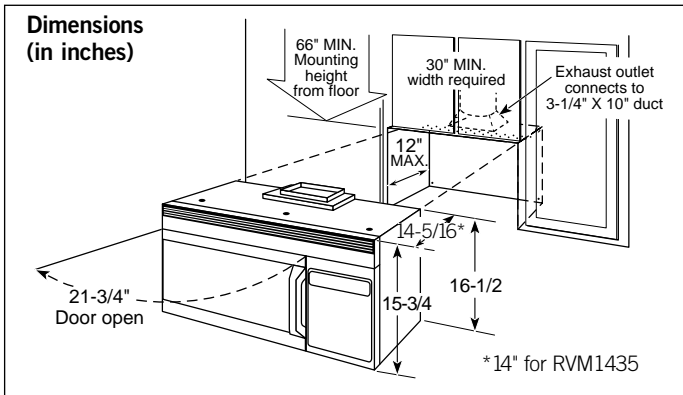
Installs in the same space as a range hood. Counter Saver Plus microwave ovens are equipped with a built-in venting system, an enhanced high-capacity 300-CFM exhaust fan plus Full-View cooktop lighting which illuminates the entire cooking surface. The addition of a Counter Saver Plus microwave oven over your range creates a complete cooking center!



**RVM1625BD**  
**RVM1625WD** (not shown)  
 ● White on white



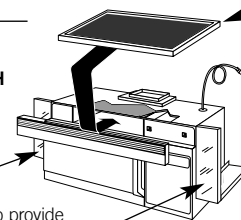
**RVM1435BF**  
**RVM1435WF** (not shown)  
 ● White on white



**Important:** When installing the Counter Saver Plus microwave oven over a range, allow minimum of 2" from bottom of Counter Saver Plus microwave oven to top of range backguard to allow for removal of light covers.

## Optional accessories (Available at additional cost)

	Filler Panel Kit
RVM1625WD	JX48WH
RVM1625BD	JX48BL
RVM1435WF	JX40WH/JX46WH
RVM1435BF	JX41/JX46BL



**JX81A-Recirculating Charcoal Filter Kit**  
 To be used when the Counter Saver Plus™ microwave oven cannot be vented to the outside.

When replacing a 36" range hood, this kit fills in the additional width to provide a custom, built-in appearance. For installation between cabinets only; not for end-of-cabinet installation. Each kit contains two, 3"-wide filler panels.

## Ventilation options

The Counter Saver Plus™ microwave oven is designed for adaptation to the following three types of ventilation:

- Outside Exhaust** (Vertical)
- Outside Exhaust** (Horizontal)
- Recirculating** (Non-vented ductless—see Filter Kit Drawing)

**Note:** Before installing, consult installation instructions for current dimensional data on these three types of ventilation.



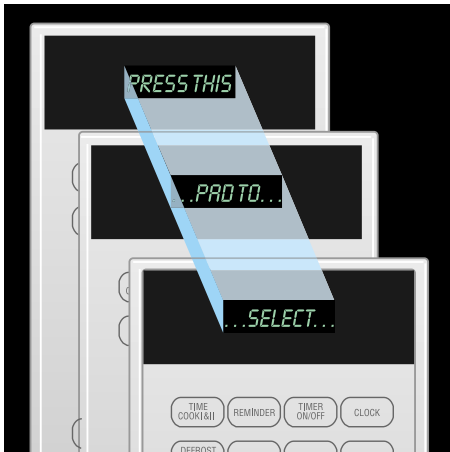
# Counter Saver Plus™ Microwave Ovens

The great design of the Counter Saver Plus™ microwave includes both cooktop lighting and powerful venting. Available in Black on black or White on white styling. Enjoy the convenience of microwave cooking with eye-level controls. Installs directly above your range or cooktop replacing the need for a range hood.



### 1.6 cu. ft. cavity

The largest Hotpoint over-the-range microwave oven ever. It accommodates large casserole dishes for your cooking convenience.



### Interactive Display System

Easy-to-read horizontal scrolling display is designed to make cooking easier, and give you the flexibility of programming several functions at once.



### Turntable

The turntable rotates the dish constantly for even and thorough cooking.

### 1000 watts

Powerful 1000 watts† of microwave output for fast cooking and reheating.

### Auto/Time Defrost

Permits defrosting a variety of foods in minutes instead of hours. Automatically sets defrosting time and power level. Enter food weight and the oven does the rest.

### Time Cook I & II

Allows you to set two time controlled cooking functions within one program.

### Express Cook pads

A shortcut to set cook times from 1 to 6 minutes. Automatically cooks at full power with the touch of one pad.

### 10 power levels

A choice of 10 power levels for maximum cooking flexibility, from warming and reheating, to the full speed of microwave cooking at high power.

### Reheat

Offers the flexibility of automatically reheating a variety of popular foods from a cup of coffee to a plate of leftovers.

### Popcorn

Designed for today's popular pre-packaged popcorn. Now for use with three sizes, 3.5, 3.0 and 1.75 oz., maximizes popping without scorching.

### Instant On controls

Easy, one-step features. Simply press the desired function and the oven automatically begins to cook. No need to press START.

### Full-View cooktop lighting

Provides better distribution of light over the entire cooking surface.

	RVM1625WD/BD	RVM1435WF/BF
<b>Features</b>		
Watts (IEC-705 Test Procedure)	1000	950
Oven cavity (cu. ft.)	1.6	1.4
Door color	White/Black	White/Black
Case color	White/Black	White/Black
Power levels	10	10
Electronic touch controls	●	●
Interactive display system	●	●
Electronic scrolling digital display w/Clock and AM/PM Pad	●	●
Variable scroll speed	●	●
Concurrent programming	●	●
Display On/Off	●	●
Turntable	●	●
Time Cook	I & II	I & II
Auto/Time Defrost	●	●
Popcorn pad	●	●
Reheat pad	●	●
Express cook pads (1-6 minutes)	●	●
Instant On controls	●	●
Cooking complete reminder	●	●
Delay Start	●	●
Timer On/Off	●	●
Reminder	●	●
Child lock out	●	●
Full-View cooktop lighting	●	●
High-capacity exhaust fan	300-CFM	300-CFM
Easy mount installation	●	●
Frequency (MHz)	2450	2450
Electrical input@120V	Watts 1480	1480
	Amps 15	15
Warranty*	1-Yr. In-Home	1-Yr. In-Home
Limited four-year magnetron warranty* (5 years total)	●	●
Dimensions	Cavity	20-1/4 x 9-9/32 x 14-13/32
WxHxD (in inches)	Exterior	29-7/8 x 16-15/32 x 15-1/16
Approx. shipping weight (lbs.)		67
		73

### \*Full One-Year Warranty

In-home parts and labor included. Plus additional four-year limited warranty on magnetron tube (parts only). See written warranty for details.



Listed by Underwriters Laboratories

†IEC-705 Test Procedure

Not all features available on all models. See page 75 for warranty information.

# GE Spacemaker® Over-The-Range Microwave Ovens

## GE — The original Spacemaker

In 1979, GE invented the Spacemaker over-the-range microwave. With 20 plus years of experience and the many innovative features on GE Spacemakers, it is easy to see why so many people are making the Spacemaker their microwave of choice. When paired with a GE range, you now have a great cooking center with more flexibility and space saving design. A powerful, 300-CFM exhaust fan, and cooktop light are integrated into the base of the microwave oven eliminating the need for a range hood. The Easy Mount system makes GE over-the-range microwave ovens simple to install. When installed above a GE range, you've increased valuable countertop space in the kitchen.



**Exclusive CircuWave™ 1100 cooking system**  
New CircuWave system delivers 1100 watts of output power to provide a more even distribution of heat, minimizing cold spots.



**Quick Defrost**  
Quick Defrost lets you thaw a pound of ground beef up to 50% faster than our previous models. What used to take 6-1/2 minutes now defrosts in just 3 minutes.



**Sensor cooking controls**  
Take the guesswork out of cooking.



**Convenience cooking controls**  
Allow you to defrost, cook or reheat at the touch of a pad.



**Scrolling display**  
Easy to read and a helpful cooking guide.



**300-CFM venting system**  
This powerful 300-CFM venting system quickly removes smoke and steam from your cooktop.

# GE Spacemaker® Over-The-Range Microwave Ovens

## GE Spacemaker XL1800 Microwave Ovens

**These models** feature 1.8 cu. ft. cavity; 1100 Watts\*; CircuWave™ 1100 cooking system; Large 14-1/4" recessed turntable; Auto, Time and Quick Defrost; English/Spanish display; Two-Line scrolling display; Big view window; Full-View cooktop lighting



- JVM1850WF** White on white
- Sensor cooking controls • Bright View interior with Halogen Lamp
  - Removable rack, 2 positions
- JVM1840WF** White on white (not shown)
- Convenience cooking controls • Removable rack

- JVM1850BF** (control panel shown)
- Black on black
- JVM1851BF** (not shown)
- Black on black, Non-vented model
- JVM1851WF** (not shown)
- White on white, Non-vented model
- JVM1850CF** (not shown)
- Bisque on bisque
- JVM1851CF** (not shown)
- Bisque on bisque, Non-vented model
- JVM1840BF** (not shown)
- Black on black
- JVM1840CF** (not shown)
- Bisque on bisque
- Available April 2002

## GE Spacemaker XL1600 Microwave Ovens

**These models** feature 1.6 cu. ft. cavity; 1000 Watts\*; CircuWave cooking system; Turntable On/Off; Auto/Time Defrost; 10 power levels; Time Cook I & II; Express Cook; Add 30 seconds; Instant On controls; Child lockout; Night light; Two-speed, high capacity exhaust fan



- JVM1650BB** Black on black
- Sensor cooking controls • Convenience cooking controls • Delay Start
  - Help pad • Removable rack • Programmable night light
- JVM1640WB** (not shown)
- Convenience cooking controls • Help pad • Removable rack
  - Beeper volume control
- JVM1630BB** (not shown)
- Convenience cooking controls • Turntable On Only

- JVM1650WB** (control panel shown)
- White on white
- JVM1650SB** (not shown)
- Stainless steel
- JVM1650CB** (not shown)
- Bisque on bisque
- JVM1640AB** (not shown)
- Almond on almond
- JVM1640BB** (not shown)
- Black on black
- JVM1631BB** (not shown)
- Black on black, non-vented model
- JVM1630WB** (not shown)
- White on white
- JVM1631WB** (not shown)
- White on white, non-vented model
- JVM1631CD** (not shown)
- Bisque on bisque, non-vented model

## GE Spacemaker XL1400 Microwave Oven

**These models** feature 1.4 cu. ft. cavity; 950 Watts\*; SmartControl System with interactive display; Time Cook I & II; Delay Start; Reminder; Auto/Time Defrost; CircuWave cooking system; Express Cook; Add 30 seconds; 10 power levels; Instant On controls; Timer On/Off; Child lockout; Cooking complete reminder; Easy mount installation; Powerful 300-CFM exhaust fan



- JVM1440WD** White on white
- Convenience cooking controls • Turntable On/Off
  - Removable rack

- JVM1441WD** (not shown)
- White on white, non-vented model
- JVM1440BD** (not shown)
- Black on black
- JVM1441BD** (not shown)
- Black on black, non-vented model

\*IEC-705 Test Procedure

For detailed specifications, installation information and color availability, refer to page 46. For warranty information, refer to page 75.

Not all features available on all models.

# GE® Microwave Ovens

**These models** feature Convenience cooking controls; Turntable; Auto/Time Defrost; Electronic touch controls; Electronic digital display with clock; Express Cook; Child lockout



## GE Convenience Oven

**JE1840WB** White on white  
 • Extra-large 1.8 cu. ft. cavity • 1100 watts\* • Optional trim kit available\*\*

**JE1840GB** Black with greystone case (not shown)

## GE Convenience Oven

**JE1640GB** Black with greystone case  
 • Full-size 1.6 cu. ft. cavity • 1100 watts\* • Optional trim kit available\*\*

**JE1640WB** White on white (not shown)

**JE1640AB** Almond on almond (not shown)



## GE Convenience Oven

**JE1440BF** Black on black  
 • Family-size 1.4 cu. ft. cavity • 1150 watts\* • Recessed turntable

**JE1440WF** White on white (not shown)

## GE Convenience Oven

**JE1140WD** White on white  
 • Mid-size 1.1 cu. ft. cavity • 1100 watts\*

**JE1140BD** Black on black (not shown)



## GE Convenience Oven

**JE740WY** White on white  
 • Compact .7 cu. ft. cavity • 700 watts\*  
 • Optional undercabinet mounting kit available†

**JE740GY** Black with greystone case (not shown)

\*IEC-705 Test Procedure

\*\*Optional Trim Kit—Custom Trim kits available in both 27" and 30" configurations at an additional cost.

†Undercabinet mounting kit—Noted microwave ovens can easily be mounted below your cabinetry, freeing up valuable counter space. A mounting template provides all the necessary measurements for installation on practically any wood or metal cabinets.

For detailed specifications, installation information and color availability, refer to page 47 and 49. For warranty information, refer to page 47 and 49.

# GE Compact Microwave Ovens



## GE Compact Oven

**JES834WD** White on white

- .8 cu. ft. cavity • 800 watts\* • Turntable
- Auto/Time Defrost • Electronic touch controls
- Electronic digital display with clock • Pocket handle



## GE Compact Oven

**JE710BA** Black on black

- .7 cu. ft. cavity • 600 watts\* • 15-minute timer
- Turntable • Optional undercabinet hanging kit available†



## GE Compact Oven

**JE620BF** Black on black

- .6 cu. ft. cavity • 600 watts\* • Electronic touch controls
- Electronic digital display with clock • Turntable • Time Defrost
- Optional undercabinet mounting kit available†

**JE620WF** White on white (not shown)

Available June 2002

## GE Spacemaker II™ Microwave Oven



## GE Spacemaker II Oven

**JEM25WF** White on white

- Mid-size 1.0 cu. ft. cavity • 800 watts\* • Convenience cooking controls
- Auto/Time Defrost • Sound on/off • Recessed turntable • Optional undercabinet mounting kit available†

**JEM25BF** Black on black (not shown)

Available May 2002

\*IEC-705 Test Procedure

\*\*Optional Trim Kit—Custom Trim kits available in both 27" and 30" configurations at an additional cost.

†Undercabinet mounting kit—Noted microwave ovens can easily be mounted below your cabinetry, freeing up valuable counter space. A mounting template provides all the necessary measurements for installation on practically any wood or metal cabinets.

For detailed specifications, installation information and color availability, refer to page 48-49. For warranty information, refer to page 48-49.

# GE® Microwave Oven Specifications

GE Spacemaker® over-the-range microwave ovens		GE						
		JVM1850WF JVM1851WF* JVM1850CF JVM1851CF* JVM1850BF JVM1851BF*	JVM1840WF JVM1840CF JVM1840BF	JVM1650SB JVM1650WB JVM1650CB JVM1650BB	JVM1640WB JVM1640AB JVM1640BB	JVM1630WB JVM1631WB* JVM1631CD* JVM1630BB JVM1631BB*	JVM1440WD JVM1441WD* JVM1440BD JVM1441BD*	
<b>Capacity</b>								
Oven cavity (cu. ft)		1.8	1.8	1.6	1.6	1.6	1.4	
<b>Features</b>								
Watts (IEC-705 test procedure)		1100	1100	1000	1000	1000	950	
Electronic touch controls		•	•	•	•	•	•	
SmartControl system w/interactive display		•	•	•	•	•	•	
Scrolling display		2 Line	2 Line	1 Line	1 Line	1 Line	1 Line	
Clock and AM/PM pad		•	•	•	•	•	•	
Variable scroll speed		•	•	•	•	•	•	
Help pad		•	•	•	•	•	•	
Concurrent programming		•	•	•	•	•	•	
Display On/Off		•	•	•	•	•	•	
Bilingual display (English/Spanish)		•	•	•	•	•	•	
Sensor controls								
Beverage		•	•	•	•	•	•	
Popcorn		•	•	•	•	•	•	
Potatoes		•	•	•	•	•	•	
Reheat		•	•	•	•	•	•	
Vegetables		•	•	•	•	•	•	
Custom pads		•	•	•	•	•	•	
Convenience controls								
Beverage		•	•	•	•	•	•	
Cook		•	•	•	•	•	•	
Popcorn		•	•	•	•	•	•	
Reheat		•	•	•	•	•	•	
Snacks		•	•	•	•	•	•	
Express cook (1-6 min.)		•	•	•	•	•	•	
Instant On controls		•	•	•	•	•	•	
Time cook		I & II	I & II	I & II	I & II	I & II	I & II	
Add 30 seconds		•	•	•	•	•	•	
Auto/Time Defrost		•/•	•/•	•/•	•/•	•/•	•/•	
Quick Defrost		•	•	•	•	•	•	
Power levels		10	10	10	10	10	10	
Delay Start		•	•	•	•	•	•	
Reminder		•	•	•	•	•	•	
CircuWave™ cooking system		1100	1100	•	•	•	•	
Rack(s)		1	1	1	1	•	1	
Turntable		Recessed	Recessed	•	•	•	•	
Turntable On/Off		•	•	•	•	•	•	
Halogen interior lighting		•	•	•	•	•	•	
Full-view cooktop lighting		•	•	•	•	•	•	
Night light		•	•	•	•	•	•	
Programmable night light		•	•	•	•	•	•	
Timer On/Off		•	•	•	•	•	•	
Beeper volume control		•	•	•	•	•	•	
Cooking complete reminder		•	•	•	•	•	•	
Child lockout		•	•	•	•	•	•	
300-CFM exhaust fan		3-Speed plus Boost	3-Speed plus Boost	2-Speed	2-Speed	•	2-Speed	
Easy mount installation		•	•	•	•	•	•	
<b>Appearance</b>								
Color appearance**		WW/CC/BB	WW/CC/BB	SS/WW/CC/BB	WW/AA/BB	WW/CC/BB	WW/BB	
Case color		White/ Bisque/Black	White/ Bisque/Black	Black/White/ Bisque/Black	White/Almond/Black	White/Bisque/Black	White/Black	
Designer-style handle		•	•	•	•	•	•	
Big view window		•	•	•	•	•	•	
<b>Weights &amp; Dimensions</b>								
WxHxD Cavity		21-29/32 x 9-1/2 x 14-19/32		20-1/4 x 9-9/32 x 14-13/32			19-5/16 x 9-5/16 x 13-3/16	
(in inches) Exterior †		29-7/8 x 16-15/32		29-7/8 x 16-15/32 (rear) x 15-1/16			29-7/8 x 16-1/2 (rear) x 14-15/16	
Approx. shipping weight (lbs.)		68	68	67	67	67	67	
<b>Power/Ratings</b>								
2450 Frequency (MHz)		•	•	•	•	•	•	
Electrical input Watts		1480	1480	1480	1480	1480	1480	
@ 120V Amperage		15	15	15	15	15	15	
<b>Warranty</b>								
Full one-year in-home warranty††		•	•	•	•	•	•	
Limited nine-year magnetron warranty†† (10 years total)		•	•	•	•	•	•	

\* Non-vented model.

\*\*SS = Stainless steel, WW = White on white, CC = Bisque on bisque, AA = Almond on almond, BB = Black on black.

†Exterior dimensions: depth excludes handle.

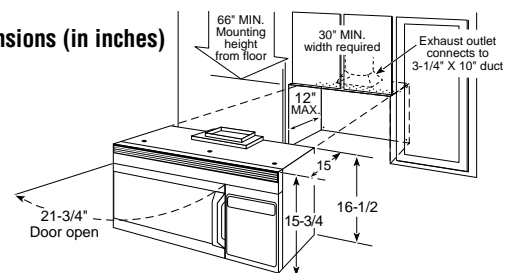
††See warranty for details.

**NOTE:** Convenience popcorn pad designed for use with 3 package sizes—3.5, 3.0 and 1.75 oz.

This information is not intended to be used for installing unit described. Before installing, consult installation instructions packed with product/kit for current dimensional data.

See page 75 for warranty information.

## Dimensions (in inches)



# GE Microwave Oven Specifications

GE microwave ovens	GE			
	Extra-large	Full-size	Family-size	Mid-size
	JE1840WB JE1840GB	JE1640WB JE1640AB JE1640GB	JE1440WF JE1440BF	JE1140WD JE1140BD
<b>Capacity</b>				
Oven cavity (cu. ft.)	1.8	1.6	1.4	1.1
<b>Features</b>				
Watts (IEC-705 Test Procedure)	1100	1100	1500	1100
Electronic touch controls	•	•	•	•
Scrolling display with Help Pad			•	
Demo mode			•	
Electronic digital display w/clock	•	•	•	
Display On/Off			•	
Convenience controls				
Popcorn	•	•	•	•
Beverage	•	•	•	•
Reheat	•	•	•	•
Snacks	•	•	•	
Cook	•	•	•	•
Frozen Pizza				•
Express Cook	•	•	•	•
Instant On controls	•	•	•	•
Time cook	I & II	I & II	I & II	I & II
Add 30 seconds	•	•	•	•
Auto/Time Defrost	•	•	•	•
Power levels	10	10	10	10
Turntable	•	•	Recessed	•
Kitchen timer	99-M./99-S.	99-M./99-S.	Timer On/Off	99-M./99-S.
Delay Start/Reminder	•	•	•	•
Sound On/Off	•	•		
Variable beeper control			•	•
Cooking complete reminder	•	•	•	•
Child lockout	•	•	•	•
<b>Appearance</b>				
Color appearance	White on white Black on greystone	White on white Almond on almond Black on greystone	White on white Black on black	White on white Black on black
Case color	White Greystone	White Almond Greystone	White Black	White Black
Door color	White Black	White Almond Black	White Black	White Black
<b>Weights &amp; Dimensions</b>				
Approx. shipping weight (lbs.)	48	50	44	37
Cavity	17-1/16 x 10-3/8 x 18-3/8	16-1/2 x 9-23/32 x 16-27/32	14-13/16 x 9-7/8 x 16	13-15/16 x 9 x 16-11/16
WxHxD (in inches)	23-7/8 x 13-1/2 x 19-1/4	23-21/32 x 13-5/16 x 18-5/16	21-7/8 x 12-5/8 x 17-1/4	21-7/8 x 12 x 16
<b>Power/Ratings</b>				
2450 Frequency (MHz)	•	•	•	•
Electric Watts input @ 120V	1550	1500	1500	1500
Amperage	13.6	13.0	13.3	13.0
<b>Accessories</b>				
Cooking guide label			•	•
Optional built-in kit	JX1830WB/ JX1827WB JX1830BB/ JX1827BB	JX1530MWW/ JX1527MWW/ JX1530MAW/ JX1527MAW/ JX1530MBW/ JX1527MBW		
<b>Warranty</b>				
Full one-year warranty*	In-Home	In-Home	Carry-In	Carry-In
Limited nine-year magnetron warranty* (10 years total)	•	•	•	•

\*See written warranty for details.

†Exterior dimensions: height includes feet, depth does not include handle.

# GE® Microwave oven Specifications

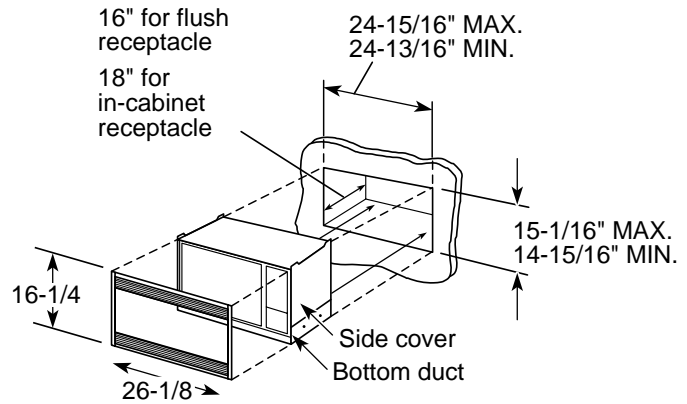
GE Spacemaker II™ microwave ovens	GE	
	JEM25WF	JEM25BF
<b>Capacity</b>		
Oven cavity (cu. ft.)	1.0	1.0
<b>Features</b>		
Watts (IEC-705 Test Procedure)	800	800
Electronic touch controls	●	●
Electronic digital display w/clock	●	●
Beverage	●	●
Cook	●	●
Popcorn	●	●
Reheat	●	●
Snacks	●	●
Express Cook	●	●
Instant On controls	●	●
Time cook I & II	●	●
Add 30 seconds	●	●
Auto/Time Defrost	●	●
Power levels	10	10
Recessed turntable	●	●
Kitchen timer	99-M./99-S.	99-M./99-S.
Sound On/Off	●	●
Cooking complete reminder	●	●
Delay Start/Reminder	●	●
Child lockout	●	●
<b>Appearance</b>		
Color appearance	White on white	Black on black
Door color	White	Black
Case color	White	Black
<b>Weights &amp; Dimensions</b>		
Approx. shipping wt. (lbs.)	40	40
Cavity	← 16-23/32 x 8-1/16 x 12-15/32 →	
WxHxD (in inches) Exterior†	← 23-25/32 x 11-11/64 x 12-55/64 →	
<b>Power/Ratings</b>		
2450 Frequency (MHz)	●	●
Electrical input	Watts	1300
@ 120V	Amperage	11.5
<b>Accessory</b>		
Cooking guide label	●	●
Hanging kit (Pub. No. 4-A019)*	Optional	Optional
Optional built-in kit	JX827WN	JX827BN/SS
<b>Warranty</b>		
Full One-Year warranty**	Carry-In	Carry-In
Limited nine-year Magnetron warranty** (10 years total)	●	●

\*Pub. No. 4-A019 is available at additional cost.

\*\*See written warranty for details.

†Exterior dimensions: height includes feet, depth does not include handle.

## Cut-Out Dimensions (in inches)



## Built-In Trim Kit For 1.0 Cu. Ft. Microwave Ovens

For a custom built-in appearance, this kit allows built-in installation of the Spacemaker II microwave oven into a wall or cabinet alone, and is U.L.-approved for installation over a GE single electric wall oven. This kit should not be installed over a gas wall oven.

## Trim Kits for Model JEM25

JX827SS—Stainless Steel, JX827WN—White, JX827BN—Black

This information is not intended to be used for installing unit described. Before installing, consult installation instructions packed with product/kit for current dimensional data.

## Undercabinet Mounting Kit Pub. No. 4-A019 For Spacemaker II, Compact and Subcompact Microwave Oven Models

(Available at additional cost)

Not to be used over a thermal oven.



## Undercabinet Installation

Install Spacemaker II, Compact and Subcompact microwave ovens in just a few easy steps with the mounting template, which provides all the necessary measurements.\* These microwave ovens can be installed on practically any wood or metal cabinets.

\*Installation may vary depending on cabinets.

**Note:** 120V, 60-cycle, grounded power receptacle location optional on back within cabinet opening.

This information is not intended to be used for installing unit described. Before installing, consult installation instructions packed with product/kit for current dimensional data.



# GE Microwave Oven Specifications

GE compact microwave ovens	GE			
	JE740WY JE740GY	JES834WD	JE710BA	JE620WF JE620BF
<b>Capacity</b>				
Oven cavity (cu. ft.)	.7	.8	.7	.6
<b>Features</b>				
Watts (IEC-705 Test Procedure)	700	800	600	600
Electronic touch controls	●	●		●
Electronic digital display w/clock (LED)	●			●
Mechanical dial			●	
Beverage pad	●			
Cook pad	●			
Popcorn pad	●			
Reheat pad	●			
Snacks pad	●			
Express Cook	●	●		
Instant On controls	●	●		
Time cook	I & II	I & II	15 Min.	●
Add 30 seconds	●	●		
Auto/Time Defrost	●	●		-/●
Power levels	1	10	01	10
Turntable	●	●	●	●
Kitchen timer	99-M./99-S.	●	●	
Delay Start/Reminder	●	●/-		
Sound On/Off	●			
Cooking complete reminder	●	●		
Child lockout	●	●		
<b>Appearance</b>				
Color appearance*	WW BB	WW	BB	WW BB
Door color	White/Black	White	Black	White/Black
Case color	White/ Greystone	White	Black	White/Black
<b>Weights &amp; Dimensions</b>				
Approx. shipping weight (lbs.)	33	39	29	29
Cavity	12-1/16 x 7-11/16 x 12-1/16	13-25/32 x 8-15/32 x 13	11-7/8 x 7-5/8 x 12-1/2	11-3/32 x 6-11/16 x 11-7/32
	19-1/4 x 10-13/16 x 13-9/16	20 x 12 x 14-1/2	19 x 11 x 12-7/8	18-5/32 x 9-19/32 x 12-11/16
WxHxD (in inches) Exterior **				
<b>Power/Ratings</b>				
2450 Frequency (MHz)	●	●	●	●
Electrical input @ 120V	Watts	1150	1300	910
	Amperage	10.5	11.5	8.5
<b>Accessory</b>				
Hanging kit (Pub. No. 4-A019)†	Optional		Optional	Optional
<b>Warranty</b>				
Full one-year warranty††	Carry-In	Carry-In	Carry-In	Carry-In
Four-year magnetron warranty†† (Five years total)	Nine-Year (10 years total)	●	●	●

\*WW = White on white, BB = Black on black.

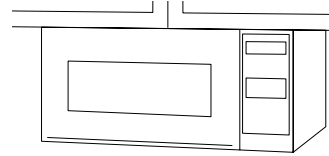
\*\*Exterior dimensions: height includes feet.

†Pub. No. 4-A019 is available at additional cost.

††See written warranty for details.

## Undercabinet Mounting Kit Pub. No. 4-A019 For Spacemaker II and Compact Microwave Oven Models (Available at additional cost)

Not to be used over a thermal oven.



### Undercabinet Installation

Install Spacemaker II and compact microwave ovens in just a few easy steps with the mounting template, which provides all the necessary measurements.\* These microwave ovens can be installed on practically any wood or metal cabinets.

\*Installation may vary depending on cabinets.

**Note:** 120V, 60-cycle, grounded power receptacle location optional on back within cabinet opening.

This information is not intended to be used for installing unit described. Before installing, consult installation instructions packed with product/kit for current dimensional data.

# Hotpoint Dishwashers

*Hotpoint dishwashers offer quiet performance, capacity and quality at an exceptional value*



**Hotpoint dishwashers deliver outstanding performance...quietly.**

Wash performance, quiet operation and dependability make Hotpoint a great choice.



**Power Wash II System**

Three-level wash action with powerful jet action for effective food soil removal and great wash performance.



**ENERGY STAR® qualified**

Hotpoint dishwashers\* are certified to exceed ENERGY STAR® guidelines for energy efficiency.

\*Excluding HDA1000G



**Hot Prewash Option**

Preheats water prior to main wash for great wash performance every time.



**Self-cleaning filter**

Effectively traps and removes food soils. No hand-cleaning of any filter by consumer is necessary.



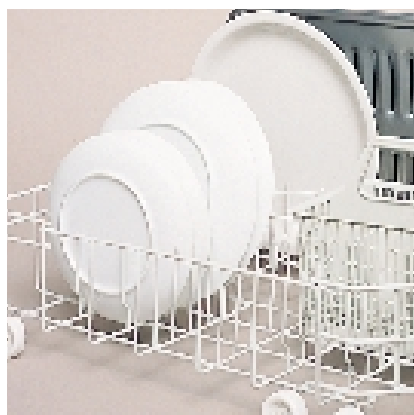
**QuietPower™ motor**

A quieter, cooler, more energy efficient motor than previous motors.



**Deluxe Plus upper rack**

Extra-deep upper rack. Extra fold-up cup shelves allow for double-stacking of dishes.



**Deluxe lower rack**

The rack has curved tines to accommodate stoneware and large plates or broiler pans.



**Durable tub and door liner**


Guaranteed for ten years against leakage from cracking, peeling, chipping or rusting.

Not all features available on all models.

High quality features for performance and convenience



HDA3700GBB


 As an ENERGY STAR® partner, GE has determined that this product meets the ENERGY STAR® guidelines for energy efficiency.

- HDA3700GBB**  
**ENERGY STAR® Model**
- TouchTap™ controls
  - 6 cycles/31 options
  - Pots & Pans cycle
  - Water Saver cycle (on dial)
  - Plate Warmer cycle (on dial)
  - Light Wash cycle (on dial)
  - 1-5-hour Delay Start
  - Hi-Temp Wash
  - Hot PreWash option
  - Deluxe Plus upper rack
  - Deluxe lower rack
  - Deluxe silverware basket
  - QuietDesign insulation package
  - QuietPower™ motor

HDA3700GWW – White on white  
 HDA3700GCC – Bisque on bisque



HDA3400GBB


 As an ENERGY STAR® partner, GE has determined that this product meets the ENERGY STAR® guidelines for energy efficiency.

- HDA3400GBB**  
**ENERGY STAR® Model**
- 5 cycles/22 options
  - Pots & Pans cycle
  - Water Saver cycle (on dial)
  - Plate Warmer cycle (on dial)
  - Hi-Temp Wash
  - Hot PreWash option (on dial)
  - Deluxe Plus upper rack
  - Deluxe lower rack
  - Deluxe silverware basket
  - Standard insulation package
  - QuietPower motor

HDA3400GWW – White on white



HDA2000GBB

 As an ENERGY STAR® partner, GE has determined that this product meets the ENERGY STAR® guidelines for energy efficiency.

- HDA2000GBB**  
**ENERGY STAR® Model**
- 4 cycles/9 options
  - Heavy Wash cycle (on dial)
  - Water Saver cycle (on dial)
  - Rinse Only cycle (on dial)
  - Heated Dry (on rocker)
  - Hot PreWash option (on dial)
  - Standard upper rack
  - Deluxe silverware basket

HDA2000GWW – White on white  
 HDA2000GCC – Bisque on bisque  
 HDA2000GAA – Almond on almond

Available for contract sales only.



HDA1000GWH

- HDA1000GWH**
- 1 cycle/4 options
  - Normal Wash cycle (on dial)
  - Heated Dry (on rocker)
  - Hot Prewash option (on dial)
  - Standard upper rack
  - Deluxe silverware basket

White body with black control panel.  
 For detailed specifications, installation information and color availability, refer to page 54.  
 For warranty information, refer to page 75.

# GE Spacemaker® Under-the-Sink Dishwashers

*Works under a single sink or cooktop*



Installed under a single sink



Installed under a cooktop



GE Under-the-Sink Dishwasher

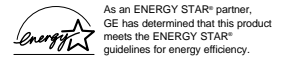
**GSM2100GWW** White on white

**GSM2100GCC** Bisque on bisque

ENERGY STAR® qualified

- 5 cycles/12 options • Two wash levels • Pots & Pans cycle
- Normal Wash cycle • Short Wash cycle (on dial) • Plate Warmer cycle (on dial) • Rinse Only cycle (on dial) • HotStart option
- PermaTuf® tub • Spacemaker upper rack • Deluxe lower rack
- Deluxe silverware basket • QuietPower motor

Note: Under-the-Sink dishwashers can be installed under GE cooktop models JP200V and JP201CV. Refer to cooktop installation instructions.



## GE Spacemaker® 18" Built-in Dishwasher

*New 18" space-saving model*



**GSS1800Z**

- 4 cycles/7 options • Pots and Pans cycle (on dial)
- Light Wash cycle (on dial) • Rinse Only/Hold cycle (on dial)
- Heated Dry On/Off option (rocker) • 3-color panel pack
- Available with black control panel only

## GE Nautilus Convertible Dishwashers

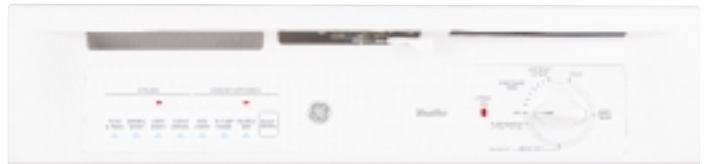
**These models include** • PowerScrub™ wash system • Five wash levels • Piranha™ hard food disposer • Pots & Pans cycle • Normal Wash cycle • Short Wash cycle (on dial) • Plate Warmer cycle (on dial) • Rinse Only cycle (on dial) • Heated Dry option • Hi-Temp Wash option • HotStart™ option • Deluxe rack system • QuietDesign™ sound package • QuietPower™ motor • Woodgrain laminate top • Trimless design



Portable now



Built-in later



**GSC3400GWW** White on white

**GSC3400GBB** Black on black (not shown)

- 7 cycles/39 options • TouchTap™ controls • China/Crystal cycle\* • Six-hour delay start option • Deluxe split silverware basket • Rinse Aid dispenser with indicator

\*Developed in consultation with Lenox®, the leading manufacturer of fine china.



**GSC3200GBB** Black on black

**GSC3200GWW** White on white (not shown)

- 5 cycles/22 options • Deluxe silverware basket

For detailed specifications, installation information and color availability, refer to pages 55-56. For warranty information, refer to page 75.

## Continuous feed disposers

These models feature stainless steel, Dual swivel, Anti-jam grinding blades, Manual reset overload protector, Removable splash guard (continuous feed models only), Drain connector kit



### GFC1020F

- Heavy duty 1 HP motor • 2800 RPM grinding action • Super capacity
- QuietPower™ III sound insulation package • E-Z Mount installation
- Stainless steel sink flange • Sink stopper • 1-year full replacement plus 6-year limited warranty\*

### GFC720F

- Heavy duty 3/4 HP motor • 2700 RPM grinding action • Super capacity
- QuietPower™ II sound insulation package • E-Z Mount installation
- Stainless steel sink flange • Sink stopper • 1-year full replacement plus 4-year limited warranty\*

### GFC530F

- Heavy duty 1/2 HP motor • 2600 RPM grinding action • Extra large capacity
- QuietPower™ I sound insulation package • E-Z Mount installation
- Stainless steel sink flange • Sink stopper • 1-year full replacement plus 2-year limited warranty\*

### GFC535F

Similar to GFC530 but has attached line cord

### GFC520F

- Heavy duty 1/2 HP motor • 2600 RPM grinding action • Large capacity
- Standard sound insulation package • E-Z Mount installation • Stainless steel sink flange • Sink stopper • 1-year full replacement plus 1-year limited warranty\*

### GFC525F

Similar to GFC520 but has attached line cord

### GFC320F

- 1/3 HP motor • 1900 RPM grinding action • Large capacity • Standard sound insulation package • E-Z Mount installation • Stainless steel sink flange • Sink stopper • 1-year full replacement warranty\*

### GFC325F

Similar to GFC320 but has attached line cord

## Batch feed disposer

### GFB760F

- Heavy duty 3/4 HP motor • 2700 RPM grinding action • Super capacity
- QuietPower™ II sound insulation package • E-Z Mount installation
- Stainless steel sink flange • Sink stopper • 1-year full replacement plus 4-year limited warranty\*

## Three-bolt mount adaptable disposer

Designed to mount to existing three-bolt mount system

### GFC329G

- 1/3 HP motor • 1900 RPM grinding action • Large capacity
- Standard sound insulation package • One-year full replacement warranty\*

\*See written warranty for details.

## GE® Built-In Compactors



### GCG1540FSS Stainless steel

- 1.4 cu. ft. capacity • 1/3-horsepower
- Removable key lock • Toe pedal opener
- Rear wheels allow easy movement and installation • Heave-gauge steel construction

### GCG1550FCC Bisque on bisque (not shown)

### GCG1520FBB Black on black (not shown)

### GCG1530FWW White on white (not shown)

GFC329G—Designed to easily adapt to existing 3-bolt mount system of the following models

	ISE®	Emerson®	Sears®
Grind-All	333	E-10	42-6070
Badger 1	333 SS	E-20	42-6051
Badger 5+	77	E-30	42-6050
Badger 5	Classic	E-40	42-6040
777	Medallion	E-80	42-6011
555	Pro 77	E-90	42-6013
444	Pro 333	E-100	42-6010
17	Pro 333 SS		42-6012

ISE® and In-Sink-Erator® are registered trademarks of Emerson Electric Co.

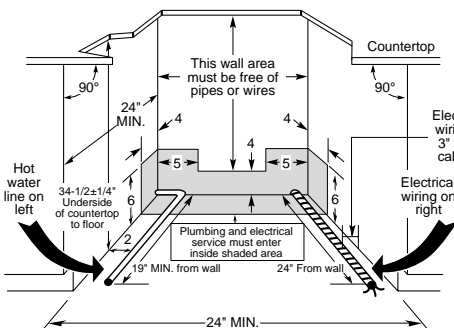
For detailed specifications, installation information and color availability, refer to page 57. For warranty information, refer to page 75.

# Dishwasher Specifications

Built-in dishwashers	ENERGY STAR® HDA3700GWW HDA3700GCC HDA3700GGB	ENERGY STAR® HDA3400GWW HDA3400GGB	ENERGY STAR® Contract Only HDA2000GWW HDA2000GCC HDA2000GAA HDA2000GGB	HDA1000GWH
	<b>Features</b>			
ENERGY STAR®	●	●	●	
Power Wash II System	●	●		
Self-cleaning filter	●	●		
Food disposer	●	●	●	●
Wash levels	3	3	2	2
Cycles/Options	6/31	5/22	4/9	1/4
Pots & Pans cycle	●	●		
Heavy Wash cycle			Dial	
Normal Wash cycle	●	●	Dial	Dial
Light Wash cycle	Dial			
Water Saver cycle	Dial	Dial	Dial	
Plate Warmer cycle	Dial	Dial		
Rinse Only cycle	Dial	Dial	Dial	
Delay Start	1-5 hour			
Heated Dry	●		Rocker	Rocker
Hi-Temp Wash	●	●		
Hot PreWash option	●	Dial	Dial	Dial
Control Type	TouchTap™ w/Dial	Pushbutton w/Dial	Dial w/Rocker	Dial w/Rocker
Touchpads	7			
Cycle progress indicator	1 "cycle on"			
Pushbuttons		6		
Rack System				
Upper	Deluxe Plus	Deluxe Plus	Standard	Standard
Lower	Deluxe	Deluxe	Deluxe	Deluxe
Silverware basket	Deluxe	Deluxe	Deluxe	Deluxe
Rinse aid dispenser	●	●	●	●
Steel door	●	●	●	●
Center throw door latch	●	●	●	●
<b>Economical/Quiet</b>				
Sound insulation package	QuietDesign	Standard	Standard	
QuietPower™ motor	●	●	●	●
<b>Appearance</b>				
Colors available*	WW, CC, BB	WW, BB	WW, CC, AA, BB	WH
Door	Trimless	Trimless	Trimless	Trimless
Access	Trimless	Trimless	Trimless	Trimless
<b>Weights &amp; Dimensions</b>				
Approx. shipping wt. (lbs.)	80	80	80	80
Height w/legs retracted (in.)	34	34	34	34
Overall width (in.)	24	24	24	24
Overall depth (in.)	25-3/4	25-3/4	25-3/4	25-3/4
<b>Accessories</b>				
Requires kit for 1/4" panel capability (w/trim)	GPF425W/C/B	GPF325W/B	GPF325W/C/A/B	GPF325W
Requires kit for 3/4" panel capability (trimless)	GPF475	GPF375	GPF375	GPF375

\*Colors available: WW = White on white, CC = Bisque on bisque, BB = Black on black, AA = Almond on almond, WH = White body, black control panel.

## Dishwasher rough-in information (in inches)



## Specifications and electrical rating

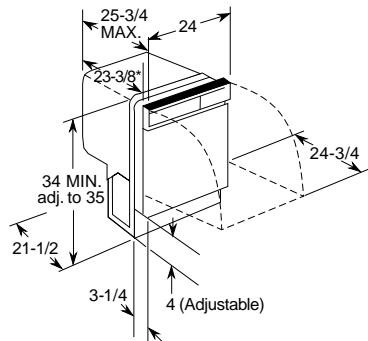
120 Volts AC, 60 Hertz, 8.6 Amps total connected load 500 Watt Calrod® heater. For use on adequately wired 120 volt, 15 amp circuit having two-wire service with a separate ground wire. This appliance must be grounded for safe operation.

Dishwasher must not be installed more than 10 feet from sink for proper drainage. All plumbing and electrical work must be in accordance with local codes. Dishwasher includes drain hose and leveling legs.

**Note:** Before installing, consult installation instructions packed with product for current dimensional data.

See page 75 for warranty information.

## Dishwasher dimensions (in inches)



## Dishwasher accessories

### Side panel for all models:

Contains one panel and adjustable toe-kick for end cabinet installation of built-in model.

Does not attach to dishwasher.

Specify color: GPS5AD—Almond GPS5WH—White

### Optional dishwasher accessories:

GPF53—Brackets for under non-wood countertop installation

GPF95—Stainless sink for Spacemaker® dishwasher—single bowl 21-1/4" x 25" drain hole on right; elbow and strainer included

GPF96—Stainless sink for Spacemaker® dishwasher—single bowl 21-1/4" x 25" drain hole on left; elbow and strainer included

GPF97—Stainless sink for Spacemaker® dishwasher—double bowl 21-1/4" x 33" elbow and strainer included

GPF100—Heavy spring kit for custom door panel weighing more than 4 lbs.

Models: HDA3400, HDA2000, HDA1000

GPF310A/B/C/W—Replacement panels (Door and Access)

Models: HDA3700

GPF410—Replacement panels (Door and Access)

### Wood panel capability:

Models: HDA3400, HDA2000, HDA1000

GPF325W/C/A/B—1/4" panel trim kit (door and access)

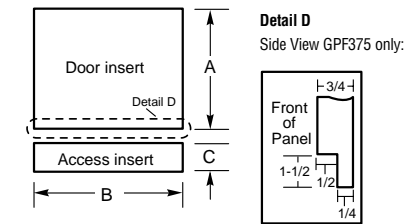
GPF375—3/4" trimless panel trim kit (door and access) [GPF100—heavy-duty spring kit included]

Models: HDA3700

GPF425W/C/A/B—1/4" panel trim (door and access)

GPF475W/C/A/B—3/4" trimless panel kit (door and access) [GPF100—heavy-duty spring kit included]

## Wood insert cut-out dimensions



Models/Kit	A	B	C	D - Panel Thickness
GPF325 Kit	18-7/8"	23-9/16"	3-11/16"	1/4"
GPF375 Kit	18-15/16"	23-5/8"	4-1/4" to 3-3/4"***	3/4"

\*Bottom of panel must be notched 1-1/2" x 1/2" to clear access panel. (See illustration above)

\*\*Adjustment required to match adjacent cabinet fronts due to leveling adjustment, 4" nominal.

Kit	A	B	C	D - Panel Thickness
GPF425	19-3/4"	23-9/16"	3-11/16"	1/4"
GPF475	19-7/8"	23-5/8"	3-11/16" to 4-1/4"***	3/4"

\*Bottom of panel must be notched 1-1/2" x 1/2" to clear access panel. (See illustration above)

\*\*Adjustment required to match adjacent cabinet fronts due to leveling adjustment, 4" nominal.



Listed by  
Underwriters  
Laboratories

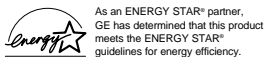
## GE Spacemaker® under-the-sink dishwasher

**ENERGY STAR®**  
GSM2100GW  
GSM2100GCC

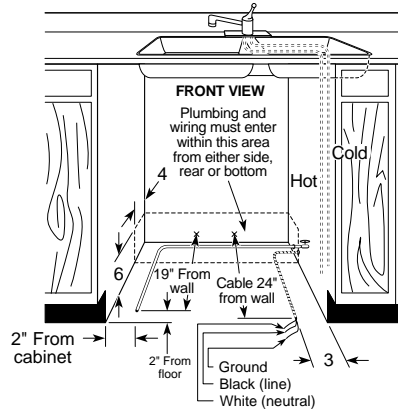
Features	
Wash levels	2
Food disposer	●
Cycles	5
Pots & Pans	●
Normal Wash	●
Short Wash	Dial
Plate Warmer	Dial
Rinse Only	Dial
Options	12
Heated Dry	●
HotStart™	Dial
Racks, shelf & basket	
Upper rack	Spacemaker
Lower rack	Deluxe
Silverware basket	Deluxe
Control type	Turn-to-start
Cycle progress indicator	Dial
Pushbuttons	4
Rinse aid dispenser	●
Steel door	●
Center throw door latch	●
Quiet	
PermaTuf® tub and door liner	●
QuietPower™ motor	●
Appearance	
Colors available*	WW, CC
Color panels—door & access	Trimless
Weights & Dimensions	
Approx. shipping weight (lbs.)	72
Height w/legs retracted (in.)	34
Overall width (in.)	24
Overall depth (in.)	25-3/4
Accessories	
Requires kit for 1/4" panel capability with trim	GPF325W/C
Requires kit for trimless 3/4" panel capability	GPF375

\*Colors available: WW = White on white, CC = Bisque on bisque, control panel/bisque on bisque, front panels.

**Note:** Under-the-Sink dishwashers can be installed under GE cooktop models JP200V and JP201CV. Refer to cooktop installation instructions.



## Plumbing/Electrical Rough-In



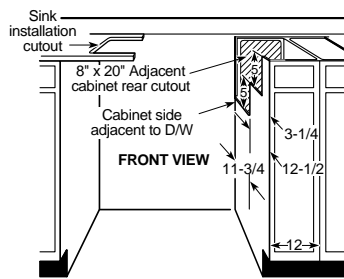
**Plumbing:** Hot Water Only: Use 3/8" O.D. copper tubing or 1/2" O.D. plastic tubing min. inlet line. Water valve has 3/8" internal threads. Hand cut-off valve is recommended.

**Electrical:** Fuse circuit with 15 amp or 20 amp standard fuse or circuit breaker. Total amp load is 6.2. Dishwasher operates on 120V, 60 Hz power. Two-wire cable (14 Ga. Min.) with ground must be installed.

**Note:** All rough-in, both plumbing and electrical, must be completed before the dishwasher is installed. All plumbing and electrical work must be in accordance with local codes.

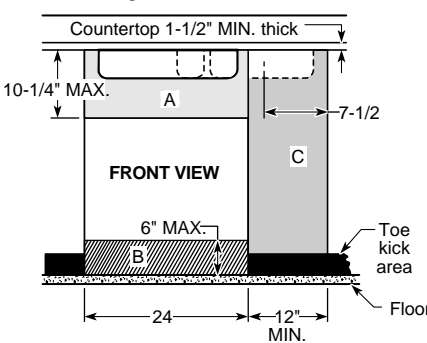
**Specifications:** Inlet Water Temperature Recommended: Minimum 120°F at dishwasher. Inlet Water Pressure Required: 15 to 120 lbs./sq. in.

## Cabinet Cutout for Sink



Cabinet cutouts for offset single and double bowl sinks. Dishwasher not provided with complete enclosure. Enclosures for sides, top, bottom, and back must be provided by installer at time of installation.

## Cabinet Rough-In



Either single- or double-bowl sink may be used, centered or offset, as shown in the front illustration above. The 20-1/2" max. dimension from wall to front of sink bowl must be accurate if dishwasher is to fit properly under sink. Water lines to sink faucet and drain from sink can be run through area "A." HOT WATER line to dishwasher is installed in area "B." Garbage disposer, water lines to faucet, trap, waste air gap and water cut-off valve are installed in 12" wide cabinet shown in area "C." Sink opening for garbage disposer must be dimensioned as shown in front view, area "C" above (7-1/2"). This will provide clearance for disposer and plumbing in cabinet "C" when using double bowl sink. If the sink bowl is more than 20-1/2" max. specified distance from the wall, or if the base cabinet is less than the 24" min. depth from the wall, a gap between the tub front flange and the front of the base cabinet may result.

## Stainless Steel Sinks Single- and Double-Bowl Models Dimensions (in inches)

Model Number	Overall Size		Inside Each Compartment		
	L	W	L	W	D
GPF95 (Single Bowl, R)*	25	21-1/4	21	15-3/4	5-3/8
GPF96 (Single Bowl, L)*	25	21-1/4	21	15-3/4	5-3/8
GPF97 (Double Bowl)	33	21-1/4	14	15-3/4	5-3/8

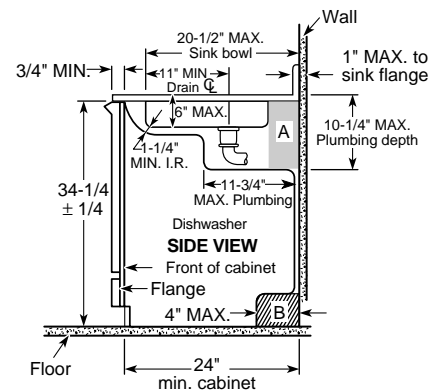
Model Number	Cutout In Countertop 1-1/2" Radius Corners		No. Of 1-1/2" Dia. Faucet Holes	Ship. Wt. Lbs.
	L	W		
GPF95 (Single Bowl, R)*	24-3/8	20-5/8	3 or 4**	10
GPF96 (Single Bowl, L)*	24-3/8	20-5/8	3 or 4**	10
GPF97 (Double Bowl)	32-3/8	20-5/8	3 or 4**	12-1/2

**Note:** Drain opening size is 3-1/2".

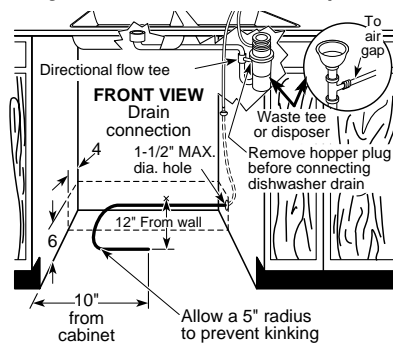
Above models are fully sound deadened.

\*Suffix "L" or "R" means drain outlet is located in upper left or right corner of sink compartment.

\*\*All have four holes, but one hole has a removable plug.

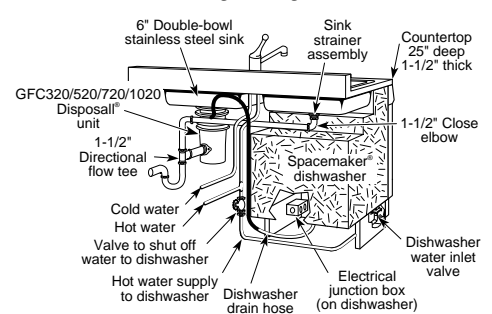


## Rough-In for Installation with Disposer



A close-fitting elbow or special shallow sink strainer is necessary to provide clearance between sink drain and dishwasher. Dishwasher furnished with 1/2" I.D. drain hose, 78" long. If using copper tubing, 2' length of 1/2" I.D. rubber hose must be provided to connect copper tubing to pump outlet. Disposer should have 7/8" I.D. dishwasher drain connector.

## Rear View Plumbing Arrangement



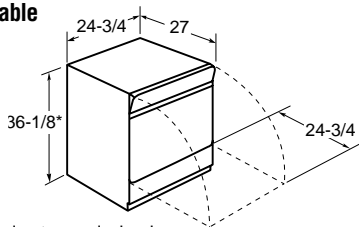
# GE® Convertible/Portable Specifications

GE Nautilus™ convertible dishwashers	GE	
	GSC3400GWW GSC3400GBB	GSC3200GWW GSC3200GBB
<b>Features</b>		
Wash system	PowerScrub™	PowerScrub
Wash levels	5	5
Water filtration	Dual	Dual
Hard food disposer	Piranha™	Piranha
Cycles	7	5
Pots & Pans	●	●
Normal Wash	●	●
Light Wash	●	
China/Crystal	●	
Short Wash	Dial	Dial
Plate Warmer	Dial	Dial
Rinse Only	Dial	Dial
Options	39	22
Delay Start option	1-6-hour	
Heated Dry	●	●
Hi-Temp wash	●	●
HotStart™	●	Dial
Racks (upper/lower)	Deluxe	Deluxe
Silverware basket	Deluxe split w/2 cell covers	Deluxe
Cycle progress indicator	1 "Cycle On"	Dial
TouchTap™ controls	8	
Pushbuttons		6
Rinse aid dispenser	w/Indicator	●
Steel door	●	●
Center throw door latch	●	●
<b>Quiet</b>		
Quiet		
Sound insulation package	QuietDesign™	QuietDesign
PermaTuf® tub and door liner	●	●
QuietPower™ motor	●	●
Sealed toe-kick	●	●
<b>Appearance</b>		
Colors available*	WW, BB	WW, BB
Color panels—door & access	Trimless	Trimless
Decorative wood laminate top	Woodgrain	Woodgrain
<b>Weights &amp; Dimensions</b>		
Approx. shipping weight (lbs.)	130	130
Overall height w/legs extended (in.)	36-3/8	36-3/8
Overall width (in.)	24-7/8	24-7/8
Overall depth (in.)	27	27
<b>Accessories</b>		
Requires kit for 1/4" panel capability with trim	GPF425W/B	GPF325W/B
Requires kit for trimless 3/4" panel capability	GPF475	GPF375

\*Colors available: WW = White on white, BB = Black on black.

## Convertible Dishwasher Dimensions (in inches)

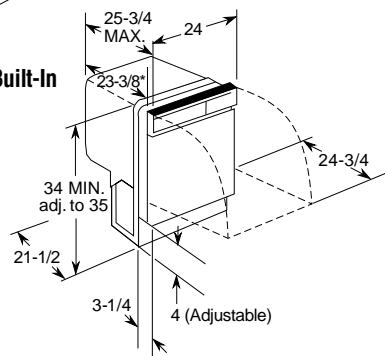
### Portable



\*Includes top and wheels

**Important Note:** GE kit number WD35M34 needed when adapting GE convertible dishwasher to a built-in installation. Contains built-in dishwasher water valve, hardware and complete instructions for changing a GE convertible dishwasher for under-the-counter installation.

### Built-In



See page 75 for warranty information.

GE Spacemaker® 18" built-in dishwasher	GE	
	GSS1800Z	
<b>Features</b>		
Wash levels	2	
Cycles	4	
Pots & Pans	Dial	
Normal Wash	Dial	
Light Wash	Dial	
Rinse & Hold	Dial	
Options	7	
Heated Dry	Rocker	
Racks (upper/lower)	Standard	
Silverware basket	Standard	
Control type	Turn-to-start	
Cycle progress indicator	Dial	
Rinse aid dispenser	●	
120°F inlet water capability	●	
Leveling screws	●	
<b>Economical/Quiet</b>		
Tub insulation	Standard	
<b>Appearance</b>		
Colors available (insert panels)	White / Almond / Black	
<b>Weights &amp; Dimensions</b>		
Approx. shipping weight (lbs.)	70	
Height w/legs retracted (in.)	34-1/8	
Overall width (in.)	18	
Overall depth (in.)	25-3/8	

## Spacemaker Built-In Dimensions (in inches)

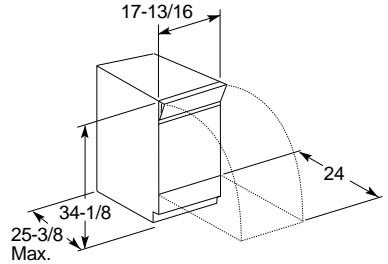


Figure 1

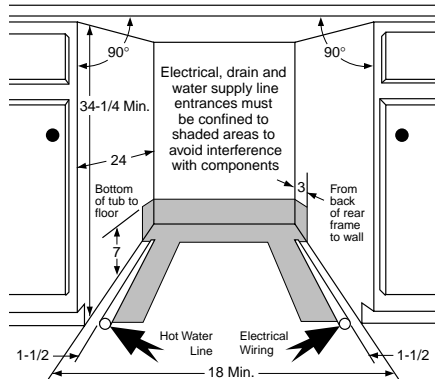
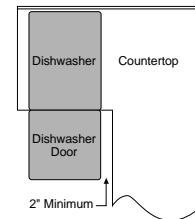


Figure 2



## Dishwasher Rough-In Information

**Note:** Dishwasher must not be installed more than ten feet from sink for proper drainage. All plumbing and electrical work must be in accordance with local codes.

Most of the installation work should be done before the dishwasher is moved into place. First, select a location as close to the sink as possible for ready access to water and drain lines. For proper operation and appearance of the dishwasher, the cabinet opening should be square and have dimensions as shown in Figure 1. If the dishwasher is to be installed in a corner, there must be sufficient clearance to open the door as shown in Figure 2. A minimum clearance of 2" is recommended.

Rough-in the water, electrical, and drain lines before proceeding with installation. The lines should run straight to their connections on the dishwasher.

**Note:** Make sure that the lines do not cross in front of the dishwasher motor or its legs.

**Note:** For trim kit to install wood panel up to 3/16" thick on GSS1800Z model only, order Pub. No. 5-A007.



# GE® Disposer and Built-In Compactor Specifications

GE Disposall® food waste disposers	GE Continuous Feed								Batch Feed	
	GFC1020F	GFC720F	GFC530F	GFC535F	GFC520F	GFC525F	GFC320F	GFC325F	GFB760F	GFC329G
<b>Features</b>										
Motor horsepower	1	3/4	1/2	1/2	1/2	1/2	1/3	1/3	3/4	1/3
Control method	Wall Switch	Wall Switch	Wall Switch	Wall Switch	Wall Switch	Wall Switch	Wall Switch	Wall Switch	Stopper	Wall Switch
Feed type	Continuous	Continuous	Continuous	Continuous	Continuous	Continuous	Continuous	Continuous	Batch	Continuous
Power connection	Direct Wire	Direct Wire	Direct Wire	Line Cord	Direct Wire	Line Cord	Direct Wire	Line Cord	Direct Wire	Line Cord
Impellers										
Dual swivel	•	•	•	•	•	•	•	•	•	•
Jam resistant	•	•	•	•	•	•	•	•	•	•
Stainless steel	•	•	•	•	•	•	•	•	•	•
Armature shaft material	Cold-rolled Carbon Steel	Cold-rolled Carbon Steel	Cold-rolled Carbon Steel	Cold-rolled Carbon Steel	Cold-rolled Carbon Steel	Cold-rolled Carbon Steel	Cold-rolled Carbon Steel	Cold-rolled Carbon Steel	Cold-rolled Carbon Steel	Cold-rolled Carbon Steel
Grinding speed (RPM's)	2,800	2,700	2,600	2,600	2,600	2,600	1,900	1,900	2,700	1,900
Capacity	Super	Super	Extra Large	Extra Large	Large	Large	Large	Large	Super	Large
Mounting type	EZ Mount	EZ Mount	EZ Mount	EZ Mount	EZ Mount	EZ Mount	EZ Mount	EZ Mount	EZ Mount	3-Bolt Mount Adapter
Turntable material	Stainless	Stainless	Stainless	Stainless	Galv. Steel	Galv. Steel	Galv. Steel	Galv. Steel	Stainless	Galv. Steel
2 Level precutter	•	•	•	•	•	•	•	•	•	•
Stainless steel sink flange	•	•	•	•	•	•	•	•	•	•
Manual reset overload protector	•	•	•	•	•	•	•	•	•	•
Splash guard	•	•	•	•	•	•	•	•	•	•
Sink stopper	•	•	•	•	•	•	•	•	•	•
Dishwasher drain connector	•	•	•	•	•	•	•	•	•	•
Drain elbow	•	•	•	•	•	•	•	•	•	•
<b>Quiet</b>										
Sound insulation package	QuietPower™ III	QuietPower™ II	QuietPower™ I	QuietPower™ I	Standard	Standard	Standard	Standard	QuietPower™ II	Standard
<b>Weights &amp; Dimensions</b>										
Approx. shipping weight (lbs.)	14.9	12.45	9.6	9.9	8.8	9.1	8.4	8.7	13.75	8.0
Net weight (lbs.)	13.2	10.7	8.05	8.35	7.8	8.1	7.4	7.7	11	7.4
Dishwasher inlet diameter (in.)	3/4	3/4	3/4	3/4	3/4	3/4	3/4	3/4	3/4	3/4
Drain outlet diameter (in.)	1-1/2	1-1/2	1-1/2	1-1/2	1-1/2	1-1/2	1-1/2	1-1/2	1-1/2	1-1/2
<b>Power Ratings</b>										
Volts, Hertz, Amps	120; 60; 7.0	120; 60; 6.0	120; 60; 4.5	120; 60; 4.5	120; 60; 4.5	120; 60; 4.5	120; 60; 4.0	120; 60; 4.0	120; 60; 6.0	120; 60; 4.0
<b>Warranty*</b>										
1-year full replacement							•	•		•
1-year full replacement plus 1-year limited replacement					•	•				
1-year full replacement plus 2-year limited replacement			•	•						
1-year full replacement plus 4-year limited replacement		•							•	
1-year full replacement plus 6-year limited replacement	•									

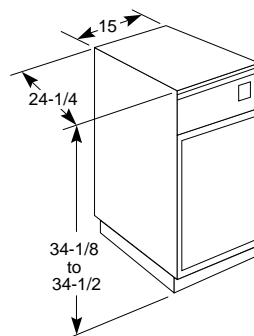
\*See written warranty for details.

GE Built-in compactors	GE Profile™	
	GCG1550FCC, GCG1540FSS, GCG1530FWW, GCG1520FBB	
<b>Features</b>		
Cycle time	27 seconds max., 14 seconds min.	
Drive system	2-Point	
Motor horsepower	1/3	
Compression ratio (average)	75% reduction of volume	
Ram force (lb.) (max.)	2,300	
Front level legs and rear wheels	•	
Capacity	1.4 cu. ft.	
Side release bin	•	
Toe/foot pedal drawer opener	•	
Lock/start control w/removable key	•	
Automatic anti-jam	•	
Slide-out drawer	•	
<b>Appearance</b>		
Color appearance*	CC, SS, WW, BB	
Color-Matched	•	
Heavy-gauge steel construction	•	
1/4" panel capability	•	
<b>Weights &amp; Dimensions</b>		
Total shipping weight (lbs.)	152	
Total appliance weight (lbs.)	141	
Overall height (in.)	34-1/8 to 34-1/2	
Overall width (in.)	15	
Overall depth (in.)	24-1/4	
Cutout dimensions H x W x D (in.)	34-1/4 x 15-1/8 x 24-3/4	
Clearance for drop-down drawer side	6" or more on right side	
Drawer extension for removal	23" or more in front of appliance	
Custom panel size H x W (in.)	23-15/16 x 14-5/8	
<b>Accessories</b>		
Compactor bags (5 included)	WC60X5017	
<b>Warranty</b>		
Full 1-year warranty**	•	

\*Colors available: CC = Bisque, SS = Stainless Steel, WW = White on white, BB = Black on black.

\*\*See written warranty for details.

## Dimensions (in inches)



## Compactor Accessories:

New 1/4" panel trim kits (color-matched)

GPF82S—Stainless steel

GPF82W—White

GPF82C—Bisque

GPF82B—Black

## Disposer Warranty

### Full One Year Warranty:

For one year from date of original purchase, GE will replace the entire disposer if there is a defect in materials or workmanship relating to functional parts only (appearance parts excluded). During this full one-year warranty, GE will also provide, free of charge, all labor charges related to replacing the original disposer.

### Extended Warranty:

For the additional time period specified by model, we will provide, free of charge, a replacement disposer due to a manufacturing defect relating to functional parts only of the original disposer (appearance parts excluded). During this extended limited warranty period, you will be responsible for all installation charges relating to the replacement disposer.

See written warranty for details.

See page 75 for warranty information.

# Hotpoint Washers

## Super and extra-large capacity washers

### VWSR4150B

- 3.2 cu. ft. Super capacity plus washer
- Variable water levels
- 15 cycles
- 4 wash/spin speed combinations
- Extra Rinse
- Auto presoaks
- GentlePower™ Agitator
- Bleach dispenser
- Fabric softener dispenser

### VBSR3100B

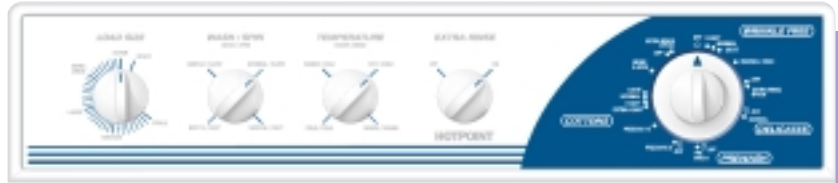
- 3.2 cu. ft. Super capacity washer
- 3 water levels
- 10 cycles
- 3 wash/spin speed combinations
- 3 wash/rinse temperature settings
- FlexCare™ Agitator
- Bleach dispenser
- Fabric softener dispenser

### VVSR1070B

- 3.2 cu. ft. Super capacity washer
- 3 water levels
- 7 cycles
- 1 wash/spin speed combination
- 3 wash/rinse temperature settings
- FlexCare Agitator

### VBXR1090B

- 2.7 cu. ft. Extra-large capacity washer
- 3 water levels
- 9 cycles
- 1 wash/spin speed combination
- 3 wash/rinse temperature settings
- FlexCare Agitator
- Bleach dispenser



VWSR4150B



VBSR3100B



VVSR1070B



VBXR1090B



VWSR4150B



### Extra Rinse option

Ideal for those with sensitive skin, this option removes excess detergent residue from fabric fibers.



### Automatic presoak cycle

This option soaks heavily soiled clothes for 15 or 30 minutes, then automatically goes into the cotton wash cycle. No need for a second trip to the washer!



### GentlePower agitator

This dual-action agitator maximizes wash performance with a rotating spiral and flexible fins. The upper spiral continually circulates the wash load, pulling clothes from the top and lifting them from the bottom. The bottom fins move back and forth to provide gentle, effective cleaning action.



### Delicate cycle

This extra-care setting uses gentle agitation to protect fine handwashables such as lingerie and sweaters.

All features may not be available on all models. For detailed specifications, installation information and color availability, refer to pages 62. For warranty information, refer to page 75.

## Super and extra-large capacity dryers

### NWSR483EB (Electric) NWSR483GB (Gas)

- 7.0 cu. ft. Super capacity dryer
- Automatic dry control
- 8 cycles
- 4 heat selections
- Press Guard Wrinkle Care
- Upfront lint filter
- Variable end-of-cycle signal
- Dryer interior light
- Reversible door

### NBXR463EB (Electric) NBXR463GB (Gas)

- 6.0 cu. ft. Extra-large capacity dryer
- Automatic dry control
- 6 cycles
- 4 heat selections
- Upfront lint filter
- Reversible door

### NVL333EB (Electric) NVL333GB (Gas)

- 5.7 cu. ft. Extra-large capacity dryer
- Automatic dry control
- 3 cycles
- 3 heat selections
- Upfront lint filter
- Reversible door



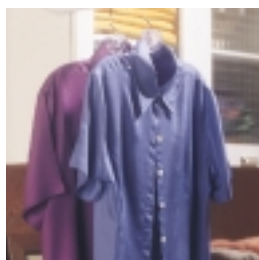
NWSR483EB (Electric), NWSR483GB (Gas)



NBXR463EB (Electric), NBXR463GB (Gas)

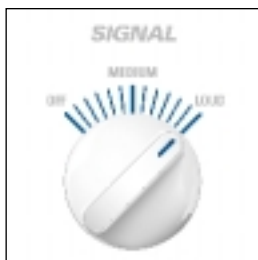


NVL333EB (Electric), NVL333GB (Gas)



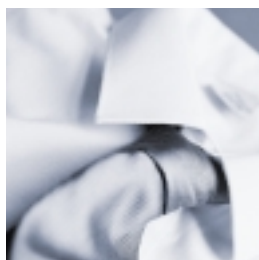
#### Press Guard Wrinkle Care

This no-heat tumble cycle saves you the trouble of rushing to remove clothes by signaling every five minutes, for up to 20 minutes, after clothes are dry.



#### Variable end-of-cycle signal

Great when you're busy, this audible signal reminds you when clothes are dry. The signal volume can be adjusted according to your needs, whether your laundry room is next to the nursery or in the basement.



#### Automatic dry control

For each load, the dryer monitors the temperature with an automatic thermostat and ends the cycle when clothes are properly dried.



#### Dryer interior light

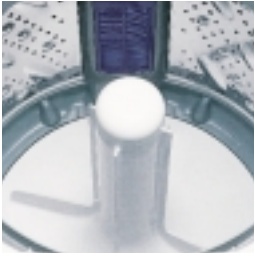
This brilliant light puts small items like socks and washclothes into clear view, making unloading faster and easier.



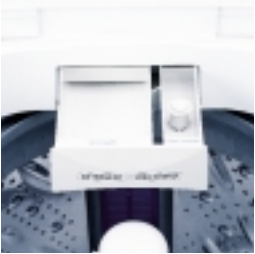
NWSR483EB/GB

All features may not be available on all models. For detailed specifications, installation information and color availability, refer to pages 62 and 65. For warranty information, refer to page 75.

# GE Spacemaker®: Portable/Stationary Models



**Stainless steel tub**  
Extra-Large 2.7 cu. ft. stainless steel tub with lint filter.



**Fabric softener dispenser**  
Easily accessible detergent/fabric softener dispenser.



- GE**  
120V Portable/Topload Washer  
**WSLP1100A** White on white or White with black controls
- 24" 2.7 cu. ft. extra-large capacity
  - 1 wash/spin speed
  - 10 cycles
  - 4 wash/rinse temperatures
  - 4 water levels
  - Load sensing
  - Electronic controls
  - Digital countdown
  - Bifold lid
  - Bleach dispenser
  - Fabric softener dispenser
  - Lint filters
  - Easy-roll rollers
  - Unicouple connector quickly attaches to a faucet adapter

120V Stationary Topload Washer  
**WSLS1100A** (not shown)  
White on white

- GE**  
120V Portable Washer  
**WSPK2060W** White with granite-look top
- 2 wash/spin speeds
  - 6 cycles
  - 3 wash/rinse temperatures
  - 4 water levels
  - Unicouple connector quickly attaches to a faucet adapter

120V Stationary Washer  
**WSKS2060W** (not shown)

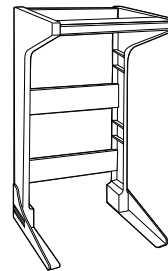


- DSKS433EB**  
240V Stationary Dryer
- 3 drying cycles
  - 4 Heat selections
  - Available in White on white

**WMK-35 Wall-mount Kit**  
(Available at additional cost)



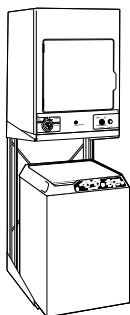
DSL24AW shown with WSLP1100A Washer and DSKS433EB Dryer



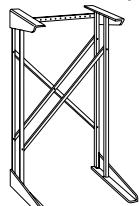
- DSL24AW Stack rack with light**  
(Available at additional cost)
- For use with Portable or Stationary Washers and Dryers
  - Available in White on white



- DSKP233EW**  
120V Portable/Stationary Dryer
- 3 drying cycles
  - 2 Heat selections
  - 15-amp dryer cord attached
  - Available in White with black control panel



DSR24RW shown with WSKS2060W Washer and DSKS433EB Dryer



- DSR24RW Stack Rack**  
(Available at additional cost)
- For use with Portable or Stationary Washers and Dryers
  - Available in White only

All features may not be available on all models. For detailed specifications, installation information and color availability, refer to pages 63 and 64. For warranty information, refer to page 75.

**GE**  
Full Size 27" Unitized  
Washer/Dryer  
**WSM2700W Electric**  
**WSM2780W Gas**  
White on white  
(Electric models also available  
in Bisque on bisque)

- Extra-large capacity washer  
features 3 cycles, 3 wash  
temperature options,  
3 water level selections
- Dryer features Automatic  
Dry Control and has  
4 cycles

**GE**  
24" Unitized Washer/Dryer  
**WSM2420T Electric**  
**WSM2480T Gas**  
White on white  
(Electric models also available  
in Bisque on bisque)

- Washer features 3 cycles,  
3 wash/rinse temperatures,  
3 water levels
- Dryer features Automatic  
Dry Control and has  
4 cycles



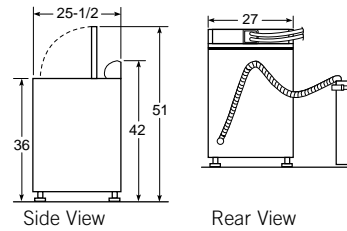
All features may not be available on all models. For detailed specifications, installation information and color availability, refer to pages 63 and 64. For warranty information, refer to page 75.

# Washer and Dryer Specifications

Washers	VWSR4150B	VBSR3100B	VVSR1070B	VBXR1090B
<b>Features</b>				
Capacity/Cubic feet	Super/3.2 Plus	Super/3.2	Super/3.2	Extra-Large/2.7
Wash/spin speed combination(s)	4	3 (timer)	1	1
Wash/rinse temperatures	4	3	3 (timer)	3
Number of wash cycles	15	10	7	9
Water levels	Variable	3	3	3
Cotton				
30 minute presoak	•			
15 minute presoak	•			
Extra-heavy soil	•	•		•
Heavy soil	•	•	•	•
Normal soil	•	•	•	•
Light soil	•	•	•	•
Extra rinse	•			
Rinse & spin	•			
Wrinkle free				
Heavy soil	•	•		•
Normal soil	•	•	•	•
Light soil	•	•	•	•
Extra-light soil				•
Extra rinse	•			
Rinse & spin	•			•
Delicate				
Normal soil	•	•		
Light soil		•		
Rinse & spin		•		
Knits				
Normal soil			•	
Light soil			•	
Quick rinse (Prewash)	•			
Extra rinse	•			
GentlePower™ agitator	•			
FlexCare™ agitator		•	•	•
Bleach dispenser	•	•		•
Fabric softener dispenser	•	•		•
Tuf Tub™ basket	•	•	•	•
Sound package	Quiet-by-Design™	Quiet-by-Design	Quiet-by-Design	Quiet-by-Design
Front serviceable	•	•	•	•
Colors available*	WW	WW	WW	WW, CC
Approx. shipping wt. (lbs.)	160	160	152	152

\*Colors available: WW = White on white, CC = Bisque on bisque

## Washer Dimensions (in inches)



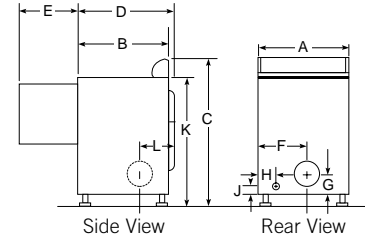
## Washer specifications:

**Electrical rating:** 115V, 60 Hz, 10 Amps  
**Circuit requirements:** An individual properly-grounded branch circuit, with a three-prong grounding-type receptacle protected by a 15 or 20 amp circuit breaker or time-delay fuse, is required.

**Washer Note:** Washer wall outlet must be located within 36" of service cord entry. Wall outlet must not be located behind dryer.

**Dryer Note:** Dryer wall outlet must be located within 36" of service cord entry and accessible when dryer is mounted in position.

## Dryer dimensions (in inches)



## Dryer specifications Exhaust options:

**Electric:** 4-way via rear, right, left and bottom.  
**Gas:** 3-way via rear, left and bottom. Dryer is shipped exhausted to the rear. Alternate exhausting knockouts are supplied.  
**See installation instructions for venting specifications.**

## Dryer dimensions (in inches)

	Extra-Large 5.7 Capacity	Extra-Large 6.0 Capacity	Super Capacity
A	27	27	27
B	25-1/2*	25-1/2*	25-1/2*
C	42	42	42
D	25-3/4	25-3/4	28-1/4
E	23-1/2	23-1/2	23-1/2
F	11-3/4	11-1/2	11-1/2
G	5-1/2	3-1/2	3-1/2
H	2	2	2
J	2-1/2	2-1/2	2-1/2
K	36	36	36
L	4-3/4	5-1/4	8-1/2

\*24-1/2" from the edge of the side panel to the front.  
 25-1/2" from front to edge of end caps.

## Circuit requirements:

**Electric:** An individual properly-grounded branch circuit protected by a 30 amp circuit breaker or time-delay fuse, is required.  
**Gas:** An individual, properly-grounded branch circuit with a three-prong grounding-type receptacle, protected by a 15 or 20 amp circuit breaker or time-delay fuse, is required.  
**Gas (BTU/HR):** 22,000. Factory-equipped for natural gas. Tested for LP gas. LP gas supply requires an optional conversion kit, 5.7 cu. ft. model kit is WE25X10003, 6.0 and 7.0 cu. ft. model kit is WE25X0217. Have a qualified gas technician install a conversion kit. See dryer ducting information for proper installation.  
**Electric dryer rating:** 208/240V, 5600W, 60 Hz, 24 Amp  
**Gas dryer electric rating:** 120V, 60 Hz, 6 Amp

Dryers	NWSR483EB NWSR483GB	NBXR463EB NBXR463GB	NVL333EB NVL333GB
<b>Features</b>			
Capacity/Cubic feet	Super/7.0	Extra-Large/6.0	Extra-Large/5.7
Auto Dry Control	•	•	•
Number of dry cycles	8	6	3
Heat selections	4	4	3 Timer
Cottons			
More/Less dry	•	•	•
Press guard	•		
Wrinkle free			
More/Less dry	•	•	•
Cool down	•	•	•
Press guard	•		
Timed dry			
Actual minutes on timer	80	80	70 (Fluff)
Damp dry	•	•	
Dewrinkle	•	•	
Quick fluff	•	•	
Press guard knob	•		
Interior Light	•		
End-of-cycle signal	Variable		
Sound package	Quiet-by-Design	Quiet-by-Design	Quiet-by-Design
Front serviceable	•	•	•
Colors available*	WW	WW	WW, CC
Approx. shipping weight (lbs.)	160	160	152

\*Colors available: WW = White on white, CC = Bisque on bisque

See page 75 for warranty information.



Listed by  
Underwriters  
Laboratories

# GE® Washer and Dryer Specifications

## GE Spacemaker® Portable/ Stationary Models

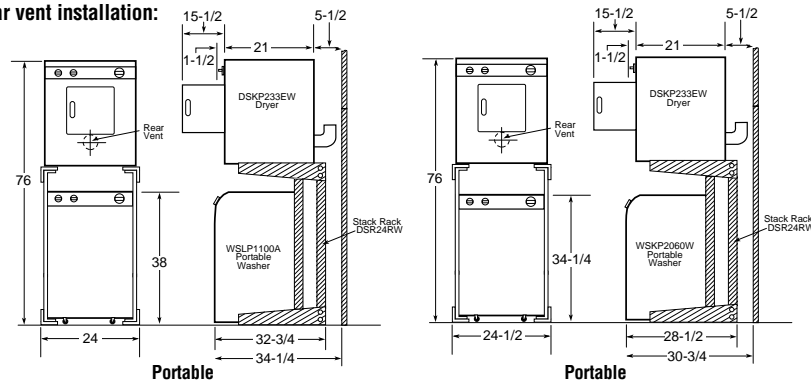
Individual Spacemaker Washers	GE			
	Stationary WSL1100A	Portable WSLP1100A	Stationary WSKS2060W	Portable WSKP2060W
<b>Capacity</b>				
Capacity	Extra-Large	Extra-Large	Compact	Compact
<b>Features</b>				
Wash/spin speed combinations	1	1	2	2
Wash/rinse temperatures	4	4	3	3
Water levels	4	4	4	4
Number of cycles	10	10	6	6
Cycle countdown	Digital	Digital		
Regular				
Heavy Soil	●	●	●	●
Medium Soil	●	●	●	●
Perm. Press				
Medium Soil	●	●	●	●
Light Soil	●	●	●	●
Delicates	●	●	●	●
Spin only	●	●	●	●
One touch load sensing	●	●		
Automatic cool down	●	●		
Bleach dispenser	●	●	●	●
Fabric softener dispenser	●	●		
Automatic detergent dispenser	●	●		
Lint filter	2 Removable	2 Removable	●	●
Quiet pump	●	●	●	●
Easy-roll rollers		●	●	●
Unicouple connector		●		●
Basket material	Stainless Steel	Stainless Steel	PermaTuf II™	PermaTuf II
<b>Appearance</b>				
Colors available*	WW	WW, WH	White with granite-look top	White with granite-look top
<b>Weights &amp; Dimensions</b>				
Circuit requirements	120V, 60 Hertz, 15 or 20 Amps			
Dimensions (HxWxD in inches)**	37-1/2† x 23-5/8 x 26	38 x 23-5/8 x 26	34-1/4 x 22-1/4 x 24	34 x 22-1/4 x 24
Approx. shipping wt. (lbs.)	114	116	109	109

\* Colors available: WW = White on white, WH = White with black controls.  
 \*\* Depth measured from front of control knob.  
 † With leveling legs extended.

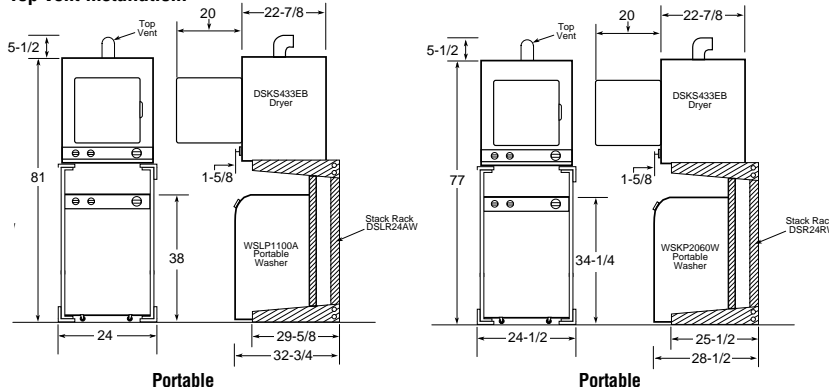
Individual Spacemaker Dryers	GE	
	Stationary DSKS433EB	Portable/Stationary* DSKP233EW*
<b>Capacity</b>		
Capacity	Compact	Compact
<b>Features</b>		
Dry control	Automatic	Automatic
Heat selections	4	2 (timer)
Number of dry cycles	3	3
Auto. Reg.— Perm. Press		●
Auto. Perm. Press & Delicate	●	
Auto. Reg.		
Timed Regular (min.)	140	105
Air Fluff (min.)	(Heat Selection)	10
Separate start switch	●	●
Control location	Mid-Band	Top
End-of-cycle signal		●
Lint filter	Up-Front	Back of Drum
<b>Appearance</b>		
Colors available**	WW	WH
<b>Weight &amp; Dimensions</b>		
Exhaust options***	4-Way	Rear
Circuit requirements	240/208V†, 60 Hertz, 30 Amp	120V, 60 Hertz, 30 Amp
Power cord	No Cord	6 feet
Dimensions (HxWxD in inches)	33-1/4 x 23-7/8 x 24-1/2	32 x 23-7/8 x 23-5/8
Wall-mount kit (available at additional cost)	WMK-35	
Approx. shipping wt. (lbs.)	108	100

\* Dryer comes equipped with casters and stationary leveling legs.  
 DSKP233EW approved for DSR24RW only.  
 \*\* Colors available: WW = White on white, WH = White with black controls.  
 \*\*\* DSKS433EB shipped exhausted through the top. DSKP233EW exhausted to rear only.  
 † 240/208 volt outlet: Rear-mounted outlet on DSKS433EB approved for use with Washer/Dryer Stack Rack DSR24RW or DSLR24AW.  
**Circuit Requirements:** An individual, properly-grounded branch circuit of the proper voltage and frequency as specified on the rating plate, with no other appliances or fixtures in circuit, is required.

### Rear vent installation:



### Top vent installation:



Listed by Underwriters Laboratories

See page 75 for warranty information.

# GE® Washer and Dryer Specifications

## GE Unitized Spacemaker® washers and dryers

	GE			
	Electric		Gas	
	WSM2700W		WSM2420T	
	WSM2780W		WSM2480T	
Washer	Washer	Dryer	Washer	Dryer
<b>Capacity</b>				
Capacity	X-Large	X-Large	Compact	Compact
<b>Features</b>				
Wash/spin speed combinations	1		2	
Wash/rinse temperatures	3		3	
Water levels	3		3	
Number of wash cycles	3		3	
Regular	●		●	
Perm. Press	●		●	
Delicates	●		●	
Unbalanced load control	●		●	
Lint filter	●		●	

### Dryer

Features			
Automatic dry control		●	●
Number of dry cycles		4	4
Auto Regular		●	●
Auto Perm Press			●
Delicates		●	
Timed		●	●
Air Fluff		●	●
Control location		Mid-Band	Mid-Band
Exhaust options		Rear	Rear/Sides

### Appearance

Colors available†	WW, CC	WW, CC
	WW	WW

### Weight & Dimensions

Dimensions (HxWxD in inches)	75-1/2 x 27 x 30-13/16*	71-3/4 x 23-7/8 x 27-1/4*
Approx. shipping wt. (lbs.)	300	238

\*Depth dimension assumes water hook-up is recessed in the wall.

†WW = White on white, CC = Bisque on bisque

**Note:** The third prong on the WSM2780W plug configuration is a flat spade type rather than a typical round probe. It requires a matching wall outlet.

### Electrical requirements

**WSM2700W: Electric dryer**—This appliance should be connected to an individual, properly-grounded branch circuit with 120/240V or 120/208V single-phase 60 Hz electrical service and should be protected by 30-amp time-delay fuses or circuit breakers. This appliance is manufactured with neutral connected to the frame. Power cord should be purchased separately.

**WSM2420T: Electric dryer**—This appliance should be connected to an individual, properly-grounded branch circuit with 120/240V or 120/208V single-phase 60 Hz electrical service and should be protected by 30-amp time-delay fuses or circuit breakers. This appliance is manufactured with neutral connected to the frame. Power cord should be purchased separately.

**NOTE:** THESE APPLIANCES ARE NOT APPROVED FOR 120-VOLT OPERATION.

**WSM2480T: Gas dryer**—This appliance should be connected to an individual, properly-grounded branch circuit with a three-prong grounding-type receptacle and 120-volt single-phase 60 Hz electrical service and should be protected by 15 or 20-amp time-delay fuses or circuit breakers. This appliance is equipped with a 6-foot long flexible U.L. listed 20-amp power cord to match a 15-amp receptacle.

**Gas rated** input 10,500 BTU/HR. Factory equipped for natural gas. Tested for LP gas.

**WSM2780W: Gas dryer**—This appliance should be connected to an individual branch circuit with 120-volt single-phase 60 Hz electrical service and should be protected by 20-amp time-delay fuses or circuit breakers. This appliance is equipped with a 4-foot long flexible U.L. listed 20-amp power cord to match a 20-amp receptacle.

**WSM2780W Gas Rated** input 20,000 BTU/HR. Factory equipped for natural gas.

**LP gas supply requires a conversion kit.**

Kits: WSM2780W-WE25X206

WSM2480T-WE25X0219

Have a qualified gas technician install a conversion kit before use.

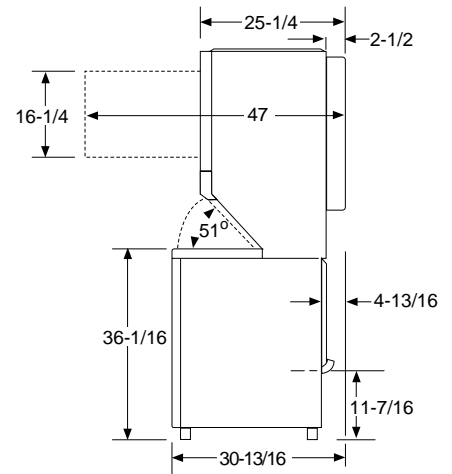
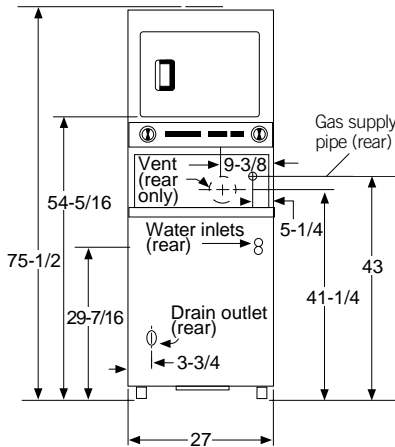
### Exhaust information

See "Dryer Exhausting Information" on page 65.

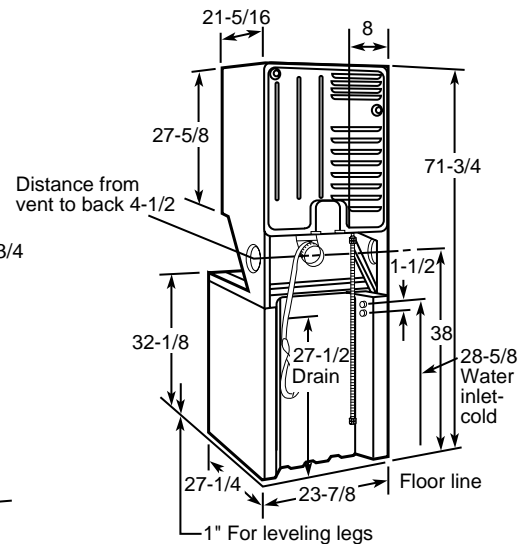
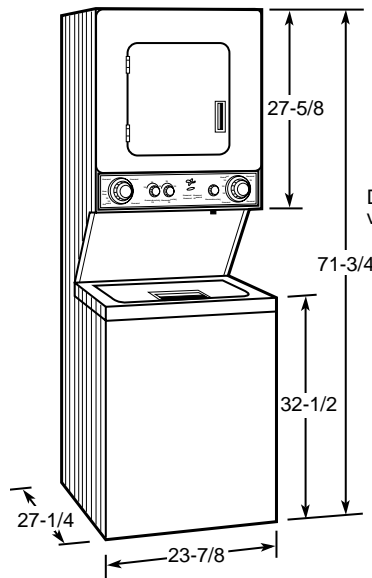
For complete information see installation instructions packed with the product.

See page 75 for warranty information.

## Models WSM2700W and WSM2780W Dimensions (in inches)



## Models WSM2420T and WSM2480T Dimensions (in inches)





## Dryer exhausting information

For complete information see installation instructions packed with dryer.

### Important note:

GE Kit Number 14-A018 needed when converting rear exhaust to bottom or side. (On Extra-large (5.7) capacity models only.)

### Ducting materials

For best performance, this dryer should be vented with 4" diameter all rigid metal exhaust duct. If "all rigid metal" duct cannot be used, then "flexible all metal" venting can be used, but it will reduce the maximum recommended duct length. The following kit or parts are available from your local service organization. Kit WX8X75—7" aluminum duct and 4" hood, short tail. (OR individual parts):

WX8X65 7" aluminum flex duct only

WX8X58 4" clamps (2)

WX8X67 4" exhaust hood

See installation instructions for complete information.

### Exhaust length calculation:

- Determine the number of 90° turns needed for your installation. If you exhaust to the side or bottom of dryer, add one turn.
  - The maximum length of 4" rigid (aluminum or galvanized) duct which can be tolerated is shown in the table. The maximum lengths for flexible ducts are less than for rigid duct.
- See table in installation instructions. A turn of 45° or less may be ignored. Two 45° turns within the duct length should be treated as a 90° elbow. A turn over 45° should be treated as a 90° elbow.

**Exhausting the dryer to the outside is strongly recommended** to prevent large amounts of moisture and lint from being blown into the room. Gas dryers or any dryer located in a closet **must** be exhausted to the outside.

**Caution:** For personal safety do not terminate exhaust into a chimney, under any enclosed house floor (crawl space), or into an attic, since the accumulated lint could create a fire hazard or moisture could cause damage. Never terminate the exhaust into a common duct or plenum with a kitchen exhaust, since the combination of lint and grease could create a fire hazard.

Exhaust ducts should be terminated in a dampered wall cap to prevent back drafts, bird nesting, etc. The wall cap must also be located at least 12" above the ground or any other obstruction with the opening pointed down. Other terminations, such as louvered wall boxes, are acceptable provided they are equivalent to a 4" opening dampered wall cap.

## Special installation requirements

### Alcove or closet installation:

- If your dryer is approved for installation in an alcove or closet, it will be stated on a label on the dryer back.
- The dryer **MUST** be exhausted to the outdoors. See EXHAUST INFORMATION above and installation instructions.
- Minimum clearances between dryer cabinet and adjacent walls or other surfaces are:
  - 0" either side
  - 3" front and rear
- Minimum vertical space from floor to overhead cabinets, ceilings, etc. is 52".
- Closet doors must be louvered or otherwise ventilated and must contain a minimum of 60 sq. in. of open area equally distributed. If this closet contains both a washer and a dryer, doors must contain a minimum of 120 sq. in. of open area equally distributed.
- The closet should be vented to the outdoors to prevent gas pocketing in case of a gas leak in the supply line.
- No other fuel-burning appliance shall be installed in the same closet with the dryer.

### Bathroom or bedroom installation:

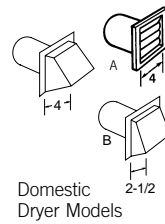
- The dryer **MUST** be exhausted to the outdoors. See EXHAUST INFORMATION above and installation instructions.
- The installation must conform with the local codes, or in the absence of local codes, with the National Fuel Gas Code, ANSI Z223.

### Minimum clearances other than alcove or closet installations

- Minimum clearances to combustible surfaces:
  - 0" both sides
  - 3" rear

For more information on venting kits and accessories, please call 1-800-GE-CARES.

## Dryer exhausting information—Use metal duct only Vertical and horizontal ducting



Domestic  
Dryer Models

	Number of 90° Turns	Maximum Length of 4" Dia. Rigid Metal Duct		Maximum Length of 4" Dia. Flexible Metal Duct	
		Exhaust Hood Type		Exhaust Hood Type	
		A 4" Opening	B 2-1/2" Opening	A 4" Opening	B 2-1/2" Opening
Domestic Dryer Models	0	90 ft.	60 ft.	55 ft.	45 ft.
	1	60 ft.	45 ft.	40 ft.	30 ft.
	2	45 ft.	35 ft.	30 ft.	20 ft.
	3	35 ft.	25 ft.	20 ft.	15 ft.
Super & Extra-Large 6.0 Capacity Models All Electric Dryers	0	25 ft.	15 ft.	15 ft.	10 ft.
	1	45 ft.	30 ft.	30 ft.	15 ft.
	2	35 ft.	20 ft.	20 ft.	10 ft.
	3	25 ft.	15 ft.	—	—
Super & Extra-Large 6.0 Capacity Models All Gas Dryers	0	45 ft.	30 ft.	30 ft.	15 ft.
	1	35 ft.	20 ft.	20 ft.	10 ft.
	2	25 ft.	10 ft.	10 ft.	—
	3	15 ft.	—	—	—
Extra-Large 5.7 Capacity Electric and Gas Dryers	0	60 ft.	48 ft.	30 ft.	18 ft.
	1	52 ft.	40 ft.	22 ft.	14 ft.
	2	44 ft.	32 ft.	14 ft.	10 ft.
	3	32 ft.	24 ft.	—	—
Spacemaker Models DSKS433EA WSM2780W	0	28 ft.	16 ft.	—	—
	0	46 ft.	37 ft.	30 ft.	24 ft.
	1	38 ft.	30 ft.	25 ft.	20 ft.
	2	31 ft.	22 ft.	20 ft.	14 ft.
Spacemaker Model DSKP233EW	3	24 ft.	15 ft.	16 ft.	10 ft.
	0	43 ft.	36 ft.	30 ft.	24 ft.
	1	33 ft.	26 ft.	24 ft.	18 ft.
	3	23 ft.	16 ft.	16 ft.	10 ft.
Spacemaker Model WSM2700W	0	56 ft.	42 ft.	30 ft.	22 ft.
	1	46 ft.	36 ft.	22 ft.	14 ft.
	2	34 ft.	28 ft.	16 ft.	10 ft.
	3	32 ft.	18 ft.	10 ft.	5 ft.
Spacemaker Models WSM2420T WSM2480T	0	43 ft.	36 ft.	30 ft.	24 ft.
	1	33 ft.	26 ft.	24 ft.	18 ft.
	2	23 ft.	16 ft.	16 ft.	10 ft.



Listed by  
Underwriters  
Laboratories

# GE® Built-In “J” Series Air Conditioning

## GE Regular-Mount chassis only models

These models feature Variable setting thermostat, Fan cycle switch, Four-way air direction, Up-front, Washable air filter, “Fan Only” setting for air circulation



**E.E.R. (Energy Efficiency Ratio)**  
Shown on the tag of each new unit, compares the air conditioner’s cooling output with the electricity it requires for power. The higher the E.E.R. number, the more efficient the unit, and the less costly to operate.

**Fan Cycle switch**  
Helps reduce power consumption and operating costs.



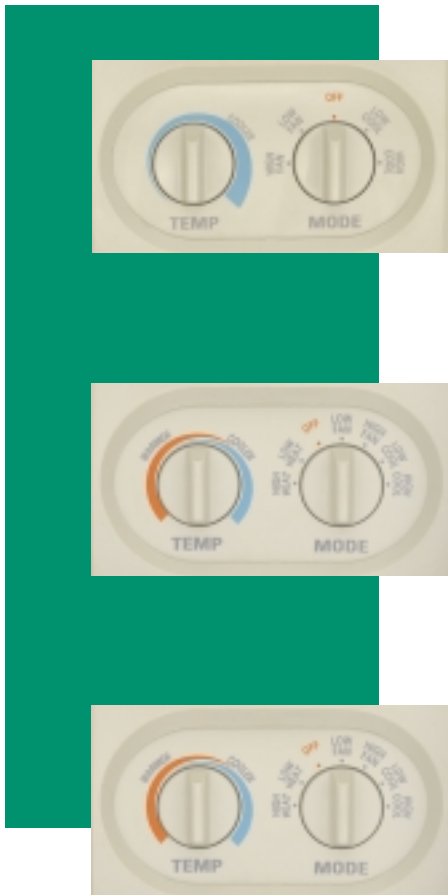
**Cool Only Units**  
Offer a variety of capacities to cool many applications.

**Heat/Cool Units**  
Provide a variety of capacities for summer cooling, plus supplemental heat for cold weather—units combine air conditioning with electric resistance heat.

**Heat Pump Units**  
Heat pump units offer efficient summer cooling with reverse cycle heating and back-up resistance heat for cold weather.

Units include attractive room-side grille of high-impact polystyrene.

These units are chassis-only models and require a separately purchased solid-sided wall case (RAB46, RAB47 or RAB48) and exterior grille (RAG13 or RAG14) for installation.



### Cool Only Units

Models	BTUH Cooling	Volts	EER	BTUH Electric Resistance Heating	Wall Case
AJCS06LCA	6000	115	9.5	–	RAB46/47/48
AJCS08ACA	8000	115	9.2	–	RAB46/47/48
AJCS10ACA	9900	115	9.2	–	RAB46/47/48
AJCS09DCA	8900/8700	230/208	9.5/9.5	–	RAB46/47/48
AJCS10DCA	9900/9700	230/208	9.2/9.2	–	RAB46/47/48
AJCS12DCA	11,600/11,400	230/208	9.0/9.0	–	RAB46/47/48

### Heat/Cool Units

Models	BTUH Cooling	Volts	EER	BTUH Electric Resistance Heating	Wall Case
AJES09DCA	8900/8700	230/208	9.5/9.5	11,600/9,480	RAB46/47/48
AJES10DCA	9900/9700	230/208	9.2/9.2	11,600/9,480	RAB46/47/48
AJES12DCA	11,600/11,400	230/208	9.0/9.0	11,600/9,480	RAB46/47/48

### Heat Pump Units

Models	BTUH Cooling	Volts	EER	BTUH Electric Resistance Heating	BTUH Reverse Cycle Heating†	Wall Case
AJHS08DCA*	8000/7800	230/208	9.2/9.2	11,600/9,480	7700/7500	RAB46/47/48
AJHS10DCA*	9800/9600	230/208	9.2/9.2	11,600/9,480	9700/9500	RAB46/47/48

\*Model includes two-stage heating thermostat.  
†At 47°F.

Note: If any “J” Series unit is a replacement unit the existing rear grille should be replaced for better performance with either stamped aluminum (RAG13) grille or architectural louvered extruded aluminum (RAG14).

For additional features, specifications and color availability, refer to page 72.

For warranty information, refer to page 75.

## GE High-Mount chassis only models

**These models** feature Variable setting thermostat, Fan Cycle switch, Four-way air direction, Up-front, Washable air filter, Multiple fan speeds



For high-mount installations where control accessibility is difficult, GE offers five “J” Series models with controls located in the lower corner of the room-side cabinet. There are two 115V and two 230V cooling only models, and one 230V model with electric heat.

Units include attractive room-side grille of high-impact polystyrene.

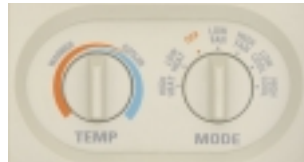
Each unit requires a solid-sided wall case (RAB46, RAB47 or RAB48) and exterior grille (RAG13 or RAG14E) for installation.

### Cool Only Units



Models	BTUH Cooling	Volts	EER	BTUH Electric Resistance Heating	Wall Case
AJCH08ACA	8000	115	9.2	–	RAB46/47/48
AJCH10ACA	9900	115	9.2	–	RAB46/47/48
AJCH10DCA	9900/9700	230/208	9.2/9.2	–	RAB46/47/48
AJCH12DCA	11,600/11,400	230/208	9.0/9.0	–	RAB46/47/48

### Heat/Cool Unit



Model	BTUH Cooling	Volts	EER	BTUH Electric Resistance Heating	Wall Case
AJEH12DCA	11,600/11,400	230/208	9.0/9.0	11,600/9,480	RAB46/47/48

## GE Window/Wall mount models

**These models** feature Multiple cooling/heating speeds, Vent/Exhaust, Multi-position thermostat, Fan Cycle switch, Easy access filter, Slide-out chassis, EZ Mount window kit (for Cooling Only models)



For convenience and efficiency, GE offers a unique line of units that provide cooling only, cooling with electric heat, and cooling with heat pumps, for use in window or through-the-wall application.

All units include solid-sided sleeve with a slide-out chassis.

### Heat/Cool Units

Models	BTU	EER	Volts	Cools (sq. ft.)	Heater Wattage
AJES10DSA	9,900/9,700	9.2/9.2	230/208	425-525	3.4/2.8 (kw)
AJES08ASA	8,000	9.2	115	250-350	1.2 (kw)
AJES06LSA	6,000	9.5	115	170-210	1.2 (kw)

### Heat Pump Unit

Model	BTU	EER	Volts	Cools (sq. ft.)	Heater Wattage
AJHS08ASA	8,000	9.2	115	250-350	1.2 (kw)

### Cooling Only Units

Models	BTU	EER	Volts	Cools (sq. ft.)
AJCS10AZA	9,900	9.2	115	425-525
AJCS08AZA	8,000	9.2	115	250-350
AJCS06LZA	6,000	9.5	115	170-210



Cooling Only

Heat/Cool, Heat Pump

For additional features, specifications and color availability, refer to page 72.  
For warranty information, refer to page 75.

# GE® Air Conditioning

## GE ENERGY STAR® Qualified Models

**Most models** feature Energy Saver feature, Multiple cooling speeds, Vent/Exhaust, Adjustable thermostat, Auto Circulaire™, EZ Mount window kit, Remote control, Sleep mode, Four-way adjustable air discharge, One Touch Lift-Out filter, Slide-out chassis



**Money Isn't All You're Saving**

### The #1 Preferred Brand adds ENERGY STAR® Label to 2002 line

New for 2002, the most preferred brand of room air conditioners is introducing a complete line of models with the ENERGY STAR® label. GE's new ENERGY STAR® qualified models not only keep homes cool and comfortable, they use less energy and cost less to operate. This is a major benefit that will help consumers reduce their energy bills. And money isn't all they'll save. GE ENERGY STAR® qualified models also reduce air pollution, protecting the environment for future generations. Count on GE to deliver more efficient and effective home cooling products.



**ASM24DC**

Models	BTU	EER	Volts	Cools (sq. ft.)
<b>ASM24DC</b>	23,700/23,100	9.4/9.4	230/208	1500-1650



As an ENERGY STAR® partner, GE has determined that this product meets the ENERGY STAR® guidelines for energy efficiency.



**AGM18DA**  
**AGM14AA** (not shown)

**AGM12AA**  
**AGM10AA** (not shown)

**AGM08FB**

Models	BTU	EER	Volts	Cools (sq. ft.)
<b>AGM18DA</b>	17,800/17,300	10.7/10.7	230/208	1050/1150
<b>AGM14AA</b>	13,800	10.8	115	750/850
<b>AGM12AA</b>	12,000	10.8	115	575/650
<b>AGM10AA</b>	10,000	10.8	115	425-525
<b>AGM08FB</b>	8,000	10.8	115	250-350



As an ENERGY STAR® partner, GE has determined that this product meets the ENERGY STAR® guidelines for energy efficiency.



**AGM06LA**  
**AGM05LA** (not shown)

**AGM05LA**

Model	BTU	EER	Volts	Cools (sq. ft.)
<b>AGM06LA</b>	5,950	10.8	115	170-210
<b>AGM05LA</b>	5,200	10.8	115	100-150

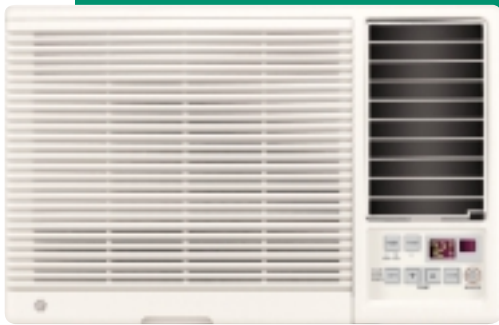


As an ENERGY STAR® partner, GE has determined that this product meets the ENERGY STAR® guidelines for energy efficiency.

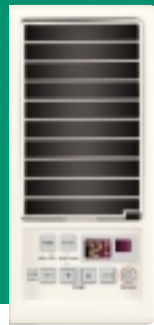
For additional features, specifications and color availability, refer to page 71. For warranty information, refer to page 75.

*GE Electronic Models*

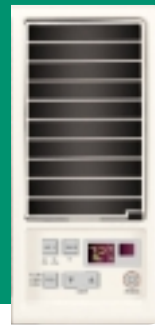
**Most models** feature Energy Saver feature, Multiple cooling speeds, digital thermostat, Rigid slide-out filter, EZ Mount window kit, Vent exhaust, Auto Circulaire™



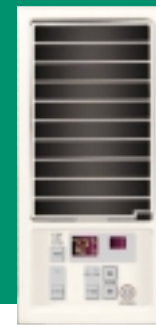
AGQ24DA  
AGQ18DA (not shown)



AGQ14AA



AGQ12AA  
AGQ12DA (not shown)



AGQ10AA  
AGQ08FA (not shown)

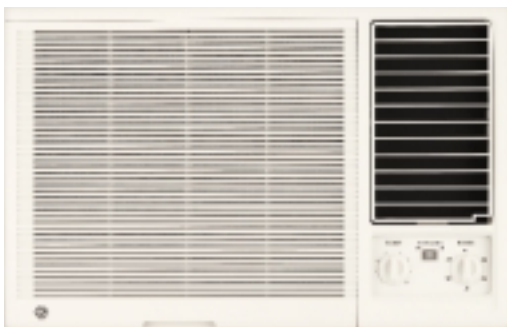


AGQ06LA  
AGQ05LA (not shown)

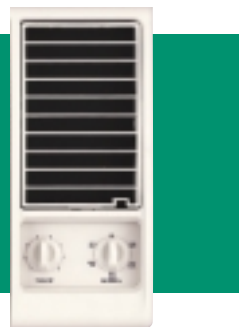
Model	BTU	EER	Volts	Cools (sq. ft.)
AGQ24DA	23,800/23,300	8.5/8.5	230/208	1500-1650
AGQ18DA	18,000/17,500	9.7/9.7	230/208	1050-1150
AGQ14AA	13,800	10	115	750-850
AGQ12AA	12,000	9.8	115	575-650
AGQ12DA	12,000/11,500	9.8/9.8	230/208	575-650
AGQ10AA	10,000	9.8	115	425-525
AGQ08FA	8,000	10	115	250-350
AGQ06LA	6,000	9.7	115	170-210
AGQ05LA	5,200	9.7	115	100-150

*GE Mechanical Models*

**Most models** feature Multiple cooling speeds, 8-position thermostat, Auto Circulaire™, Slide-out Chassis



AGV24DB  
AGV18DD (not shown)  
AGV14AA (not shown)

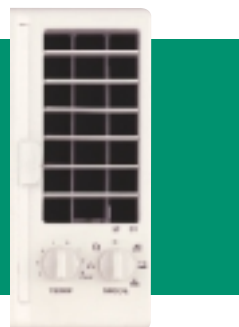


AGV12AD  
AGV10AD (not shown)  
AGV08FB (not shown)

Models	BTU	EER	Volts	Cools (sq. ft.)
AGV24DB	23,800/23,300	8.5/8.5	230/208	1500-1650
AGV18DD	17,800/17,300	9.7/9.7	230/208	1050-1150
AGV14AA	13,800	10	115	750-850
AGV12AD	12,000	9.8	115	575-650
AGV10AD	10,000	9.8	115	425-525
AGV08FB	8,000	10	115	250-350
ASV06LC	6,000	9.8	115	170-210
ASV05LC	5,200	9.8	115	100-150



ASV06LC



ASV05LC

For additional features, specifications and color availability, refer to page 71.

For warranty information, refer to page 75.

# GE® Air Conditioning

## GE Heat/Cool series

**These models** feature Multiple cooling/heating speeds, Vent/Exhaust, 8-position thermostat, Four-way adjustable air discharge, Easy access filter, Slide-out chassis, Rigid panel window kit



Models	BTU	EER	Volts	Cools (sq. ft.)	Heater Wattage
AGE21DA	21,000/TBD	8.5/8.5	230/208	1,260-1,375	3,670/3,100 (kw)
AGE18DA	17,600/17,200	9.7/9.7	230/208	1,050-1,150	3,670/3,100 (kw)
AGE14DA	11,800/11,300	9.7/9.7	230/208	750-850	3,670/3,100 (kw)



Circulaire™ oscillating louvers automatically distribute the air evenly in a room. Creates a cooler, more even temperature throughout the room.

## GE Slide-Aire

**These models** feature 10-position thermostat, Vertical Slider Kit Panel, Multiple cooling and fan speeds, Two-way adjustable air discharge



**Slide-Aire models**  
Accommodate the special installation needs of sliding and casement windows (those with side hinges that open in or out).



**Contemporary styling**  
Sleek new contemporary styling blends quietly with most decor.



Models	BTU	EER	Volts	Cools (sq. ft.)
AGX10AA	TBD	TBD	115	425-525
AGX08FA	TBD	TBD	115	250-350

## GE® Dehumidifiers

**These models** feature Compact and contemporary design, Automatic Humidity sensor control, Automatic Shut-Off system with Bucket Full indicator, Easy roll casters, External drain connector, Automatic defrost control, Removable condensate container, Washable air filter



**Odors and mildew**  
Reduce musty odors and mildew.



Models	Pints Per Day
AHG50LC – ENERGY STAR®	50
AHG40FC – ENERGY STAR®	40
AHG30LB	30



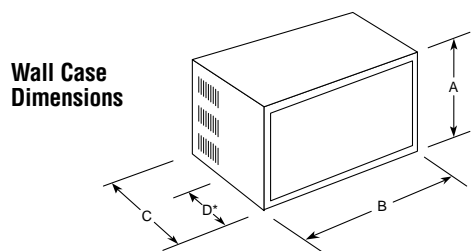
As an ENERGY STAR® partner, GE has determined that this product meets the ENERGY STAR® guidelines for energy efficiency.

For additional features, specifications and color availability, refer to pages 73-74.

For warranty information, refer to page 75.

Features	ENERGY STAR®								Electronic			
	230 Volt		115 Volt						230 Volt			
	ASM24DC	AGM18DA	AGM14AA	AGM12AA	AGM10AA	AGM08FB	AGM06LA	AGM05LA	AGQ24DA	AGQ18DA	AGQ12DA	
BTUH	23,700/23,100	17,800/17,300	13,800	12,000	10,000	8,000	5,950	5,200	23,800/23,300	18,000/17,500	12,000/11,500	
Voltage	230/208	230/208	115	115	115	115	115	115	230/208	230/208	230/208	
E.E.R. (BTUH/Watt)	9.4/9.4	10.7/10.7	10.8	10.8	10.8	10.8	10.8	10.8	8.5/8.5	9.7/9.7	9.8/9.8	
Amps	11.3/12.3	7.8/8.3	12.0	10.2	8.5	6.8	5.0	4.4	12.7/13.7	8.2/8.9	5.5/5.8	
Watts	2,530/2,470	1,670/1,620	1,280	1,110	920	710	550	480	2,800/2,740	1,850/1,800	1,220/1,170	
Plug type	Perpendicular	Tandem	Perpendicular	Parallel	Parallel	Parallel	Parallel	Parallel	Perpendicular	Tandem	Tandem	
Energy Saver feature	●	●	●	●	●	●	●	●				
Dehumidification (pints/hr.)	7.2	5.5	4.8	3.3	3.3	2.3	1.8	1.4	7.5	5.5	3.3	
Circulaire™	●	●	●	●	●	●	●	●	●	●		
ENERGY STAR®	●	●	●	●	●	●	●	●				
Fan speeds (Cool/Fan Only)	3/3	3/3	3/3	3/3	3/3	3/3	3/3	3/3	3/3	3/3	3/3	
CFM (High Shown) (Indoor)	540	460	420	300	280	220	190	140	560	440	280	
Vent/exhaust	Exhaust	Exhaust	Exhaust	Exhaust	Exhaust	Exhaust	Exhaust	Exhaust	Exhaust	Exhaust	Exhaust	
Thermostat	Electronic	Electronic	Electronic	Electronic	Electronic	Electronic	Electronic	Electronic	Electronic	Electronic	Electronic	
Filter type	One Touch Lift-Out	Rigid Frame/Slide-Out	Rigid Frame/Slide-Out	Rigid Frame/Slide-Out	Rigid Frame/Slide-Out	Rigid Frame/Slide-Out	Rigid Frame/Slide-Out	Rigid Frame/Slide-Out	Rigid Frame/Slide-Out	Rigid Frame/Slide-Out	Rigid Frame/Slide-Out	
Chassis	Slide-Out	Slide-Out	Slide-Out	Slide-Out	Slide-Out	Slide-Out	Slide-Out	Slide-Out	Fixed	Slide-Out	Slide-Out	
Window Mounting	EZ Mount	EZ Mount	EZ Mount	EZ Mount	EZ Mount	EZ Mount	EZ Mount	EZ Mount	EZ Mount	EZ Mount	EZ Mount	
Window Opening Height (min. in inches)	17-3/8	18	18	16	16	14	14	13	18	18	16	
Window Opening Width (in inches) min.	30	29	29	27	27	22	22	22	29	29	27	
max.	41	41	41	39	39	36	36	36	41	41	39	
<b>Case Dimensions</b>												
Height (in inches)	<b>A</b>	16-3/4	16-27/32	16-27/32	15	15	13-7/8	13-7/8	12-9/32	16-27/32	16-27/32	15
Width (in inches)	<b>B</b>	26	26	26	23-5/8	23-5/8	18-9/16	18-9/16	18-9/16	26	26	23-5/8
Depth (in inches)	<b>C</b>	27-3/16	28-21/32	24-15/16	20-9/32	20-9/32	19-5/32	19-5/32	13-27/32	28-21/32	24-15/16	20-9/32
Depth to louvers (in inches)	<b>D</b>	9-1/4	10-5/16	10-5/16	8-5/8	8-5/8	8-1/2	8-1/2	5	10-5/16	10-5/16	8-5/8
Net Weight (lbs.)		147	120	115	100	95	66	55	48	146	120	95
Approx. Shipping Weight (lbs.)		163	133	124	106	101	72	61	52	160	133	101

Features	Electronic						Mechanical								
	115 Volt						230 Volt		115 Volt						
	AGQ14AA	AGQ12AA	AGQ10AA	AGQ08FA	AGQ06LA	AGQ05LA	AGV24DB	AGV18DD	AGV14AA	AGV12AD	AGV10AD	AGV08FB	ASV06LC	ASV05LC	
BTUH	13,800	12,000	10,000	8,000	6,000	5,200	23,800/23,300	17,800/17,300	13,800	12,000	10,000	8,000	6,000	5,200	
Voltage	115	115	115	115	115	115	230/208	230/208	115	115	115	115	115	115	
E.E.R. (BTUH/Watt)	10.0	9.8	9.8	10.0	9.7	9.7	8.5/8.5	9.7/9.7	10.0	9.8	9.8	10.0	9.8	9.8	
Amps	12.0	11.0	9.2	7.3	5.8	5.0	12.7/13.7	8.2/8.9	12.0	11.0	9.2	7.3	5.6	4.8	
Watts	1,380	1,220	1,020	800	620	535	2,800/2,740	1,840/1,780	1,380	1,220	1,020	800	610	530	
Plug Type	Parallel	Parallel	Parallel	Parallel	Parallel	Parallel	Perpendicular	Tandem	Parallel	Parallel	Parallel	Parallel	Parallel	Parallel	
Energy Saver Feature	●														
Dehumidification (pints/hr.)	4.6	3.3	3.0	2.3	1.8	1.4	7.5	5.5	4.6	3.3	3.0	2.3	1.6	1.5	
Circulaire™	●						●	●	●						
Fan Speeds (Cool/Fan Only)	3/3	3/3	3/3	3/3	3/3	3/3	3/2	3/2	3/2	3/2	3/2	3/2	3/2	3/2	
CFM (High Shown) (Indoor)	420	280	265	210	150	140	560	440	420	280	265	210	190	150	
Vent/exhaust	Exhaust	Exhaust	Exhaust	Exhaust			Exhaust	Exhaust	Exhaust	Exhaust	Exhaust	Exhaust	Exhaust	Exhaust	
Thermostat	Electronic	Electronic	Electronic	Electronic	Electronic	Electronic	8-Position	8-Position	8-Position	8-Position	8-Position	8-Position	8-Position	8-Position	
Filter Type	Rigid Frame/Slide-Out	Rigid Frame/Slide-Out	Rigid Frame/Slide-Out	Rigid Frame/Slide-Out	Rigid Frame/Slide-Out	Rigid Frame/Slide-Out	Rigid Frame/Slide-Out	Rigid Frame/Slide-Out	Rigid Frame/Slide-Out	Rigid Frame/Slide-Out	Rigid Frame/Slide-Out	Rigid Frame/Slide-Out	Rigid Frame/Slide-Out	One Touch Lift-Out	
Chassis	Slide-Out	Slide-Out	Slide-Out	Slide-Out	Fixed	Fixed	Slide-Out	Slide-Out	Slide-Out	Slide-Out	Slide-Out	Slide-Out	Slide-Out	Fixed	
Window Mounting	EZ Mount	EZ Mount	EZ Mount	EZ Mount	EZ Mount	EZ Mount	EZ Mount	EZ Mount	EZ Mount	EZ Mount	EZ Mount	EZ Mount	EZ Mount	EZ Mount	
Window Opening Height (min. in inches)	16	16	14	14	13	13	18	18	16	16	14	14	14	12-7/8	
Window Opening Width (in inches) min.	27	27	22	22	22	22	29	29	27	27	22	22	22	22	
max.	39	39	36	36	36	36	41	41	39	39	36	36	37	36	
<b>Case Dimensions</b>															
Height (in inches)	<b>A</b>	15	15	13-7/8	13-7/8	12-9/32	12-9/32	16-27/32	16-27/32	15	15	13-7/8	13-7/8	13-19/32	12-3/8
Width (in inches)	<b>B</b>	23-5/8	23-5/8	18-9/16	18-9/16	18-9/16	18-9/16	26	26	23-5/8	23-5/8	18-9/16	18-9/16	20-1/2	17-13/16
Depth (in inches)	<b>C</b>	20-9/32	20-9/32	19-5/32	19-5/32	13-27/32	13-27/32	28-21/32	24-15/16	20-9/32	20-9/32	19-5/32	19-5/32	17-17/32	12-7/16
Depth to louvers (in inches)	<b>D</b>	8-5/8	8-5/8	8-1/2	8-1/2	5	3-1/4	10-5/16	10-5/16	8-5/8	8-5/8	8-1/2	8-1/2	7-5/32	4-31/32
Net Weight (lbs.)		100	95	75	64	48	44	146	120	100	95	75	64	64	48
Approx. Shipping Weight (lbs.)		106	101	81	70	52	48	160	133	106	101	81	70	71	57



\*Distance from front of case to side louvers (excluding grille).

- Parallel**  
115V.  
15 Amp.
- Perpendicular**  
230/208V.  
20 Amp.
- Tandem**  
230/208V.  
15 Amp.
- Large Tandem**  
230/208V.  
30 Amp.

**Wall Outlets**  
All wiring, including installation of receptacle, must be made in accordance with local electrical codes and regulations. Electrical outlet should be in reach of line cord.  
**Note:** Aluminum building wiring may pose special problems—consult a qualified electrician.

**Note:** When installing slide-out chassis units in through-the-wall applications, keep louvers free. Do not restrict air flow areas. Fixed chassis units are not suitable for through-the-wall applications.  
**Note:** Some models may not be available in your area due to local legislation. Contact your local dealer.

See page 75 for warranty information.

# GE® Built-In “J” Series and Heat Pumps

Models		GE									
		Chassis/Cool						Chassis/Cool High-Mount			
		AJCS06LCA	AJCS08ACA	AJCS10ACA	AJCS09DCA	AJCS10DCA	AJCS12DCA	AJCH08ACA	AJCH10ACA	AJCH10DCA	AJCH12DCA
<b>Capacity</b>											
BTUH-AHAM		6000	8000	9900	8900/8700	9900/9700	11,600/11,400	8000	9900	9900/9700	11,600/11,400
E.E.R.		9.5	9.2	9.2	9.5/9.5	9.2/9.2	9.0/9.0	9.2	9.2	9.2/9.2	9.0/9.0
Dehumidification (pints/hr.)		1.4	2.0	2.7	2.5	2.7	3.2	2.0	2.7	2.6	3.2
<b>Features</b>											
Fan speeds (Cool/Fan Only)		2/2	2/2	2/2	2/2	2/2	2/2	2/2	2/2	2/2	2/2
Airflow (cfm) roomside hi/low		210/180	250/210	250/210	250/210	250/210	265/230	250/210	250/210	250/210	265/230
Air exchange exhaust		•	•	•	•	•	•	•	•	•	•
Variable setting thermostat		•	•	•	•	•	•	•	•	•	•
Filter type		Slide-Out	Slide-Out	Slide-Out	Slide-Out	Slide-Out	Slide-Out	Slide-Out	Slide-Out	Slide-Out	Slide-Out
Rotary compressor		•	•	•	•	•	•	•	•	•	•
<b>Economical/Quiet</b>											
Fan cycle switch		•	•	•	•	•	•	•	•	•	•
<b>Appearance</b>											
Slide-out chassis		•	•	•	•	•	•	•	•	•	•
Installation		Wall	Wall	Wall	Wall	Wall	Wall	Wall	Wall	Wall	Wall
Wall case required		RAB46/47/48	RAB46/47/48	RAB46/47/48	RAB46/47/48	RAB46/47/48	RAB46/47/48	RAB46/47/48	RAB46/47/48	RAB46/47/48	RAB46/47/48
<b>Weights &amp; Dimensions</b>											
Height (in inches) A		15-5/8									
Width (in inches) B		26									
Depth (in inches) C		16-7/8									
Approx. net weight (lbs.)		66	73	82	75	82	84	75	82	84	84
Approx. shipping weight (lbs.)		75	82	90	84	90	93	84	90	93	93
<b>Power/Ratings</b>											
Voltage		115	115	115	230/208	230/208	230/208	115	115	230/208	230/208
Amps-AHAM		5.7	7.9	9.7	4.2/4.6	4.9/5.3	5.8/5.3	7.9	9.7	4.9/5.3	5.8/6.3
Watts input		630	870	1075	935/915	1075/1055	1290/1265	870	1075	1075/1055	1290/1265
Line cord plug		Parallel	Parallel	Parallel	Tandem	Tandem	Tandem	Parallel	Parallel	Tandem	Tandem
Recommended circuit protection (time delay)		15 Amps	15 Amps	15 Amps	15 Amps	15 Amps	15 Amps	15 Amps	15 Amps	15 Amps	15 Amps

Models		GE					
		Chassis/Heat/Cool			Chassis/Heat/Cool High-Mount		Chassis/Heat Pumps
		AJES09DCA	AJES10DCA	AJES12DCA	AJEH12DCA	AJHS08DCA	AJHS10DCA
<b>Capacity</b>							
BTUH-AHAM		8900/8700	9900/9700	11,600/11,400	11,600/11,400	8000/7800	9800/9600
E.E.R.		9.5/9.5	9.2/9.2	9.0/9.0	9.0/9.0	9.2/9.2	9.2/9.2
Dehumidification (pints/hr.)		2.5	2.6	3.2	3.2	2.0	2.6
<b>Features</b>							
Fan speeds (Heating/Cooling)		2/2	2/2	2/2	2/2	2/2	2/2
Fan Only speeds		2	2	2	2	2	2
Airflow (cfm) roomside hi/low		250/210	250/210	265/230	265/230	230/190	250/210
Air exchange exhaust		•	•	•	•	•	•
Variable setting thermostat		•	•	•	•	•	•
Filter type		Slide-Out	Slide-Out	Slide-Out	Slide-Out	Slide-Out	Slide-Out
Rotary compressor		•	•	•	•	•	•
<b>Economical/Quiet</b>							
Fan cycle switch		•	•	•	•	•	•
<b>Appearance</b>							
Slide-out chassis		•	•	•	•	•	•
Wall case required		RAB46/47/48	RAB46/47/48	RAB46/47/48	RAB46/47/48	RAB46/47/48	RAB46/47/48
Installation		Wall	Wall	Wall	Wall	Wall	Wall
Window installation kit		Optional	Optional	Optional	Optional	Optional	Optional
<b>Weights &amp; Dimensions</b>							
Height (in inches) A		15-5/8					
Width (in inches) B		26					
Depth (in inches) C		16-7/8					
Approx. net weight (lbs.)		77	84	84	86	75	84
Approx. shipping weight (lbs.)		86	93	93	95	84	93
<b>Power/Ratings</b>							
Voltage		230/208	230/208	230/208	230/208	230/208	230/208
Amps-AHAM		4.2/4.6	4.9/5.3	5.8/6.3	5.8/6.3	4.0/4.3	4.9/5.3
Watts input		935/915	1075/1055	1290/1265	1290/1265	870/850	1065/1045
Line cord plug		Perpendicular	Perpendicular	Perpendicular	Perpendicular	Perpendicular	Perpendicular
Recommended circuit protection (time delay)		20 Amps	20 Amps	20 Amps	20 Amps	20 Amps	20 Amps
<b>Reverse Cycle Heating</b>							
BTUH-AHAM						7700/7500	9700/9500
C.O.P. @ 47°F						3.0	3.0
Amps-AHAM						3.4/3.7	4.3/4.7
Watts input						750/730	950/930
<b>Electric Resistance Heating</b>							
BTUH-AHAM		11,600/9,480	11,600/9,480	11,600/9,480	11,600/9,480	11,600/9,480	11,600/9,480
Amps (Max. connected load)		16.0	16.0	16.0	16.0	16.0	16.0
Watts output		3400/2780	3400/2780	3400/2780	3400/2780	3400/2780	3400/2780

All cooling with electric heat models and heat pumps are corrosion treated. Specifications and design subject to change without notice.



# GE® Heat/Cool and Window/Built-In “J” Series and Heat Pumps

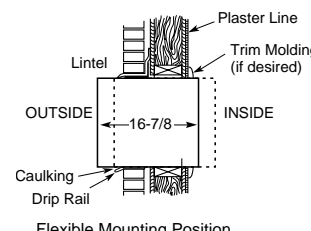
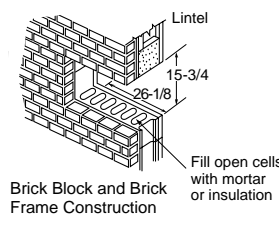
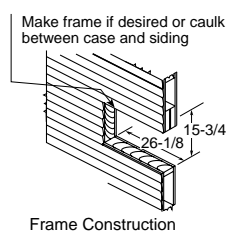
Features	GE Heat/Cool			GE “J” Series						
	Heat/Cool Units			Heat/Cool Units			Heat Pump	Cooling Only Units		
	AGE21DA	AGE18DA	AGE14DA	AJES10DSA	AJES08ASA*	AJES06LSA*	AJHS08ASA*	AJCS10AZA	AJCS08AZA	AJCS06LZA
Cooling BTUH-AHAM	21,000/TBD	17,600/17,200	11,800/11,300	9,900/9,700	8,000	6,000	8,000	9,900	8,000	6,000
Heating BTUH-AHAM	TBD	TBD	TBD							
Voltage	230/208	230/208	230/208	230/208	115	115	115	115	115	115
E.E.R. (BTUH/Watt)	8.5/8.5	9.7/9.7	9.7/9.7	9.2/9.2	9.2	9.5	9.2	9.2	9.2	9.5
Rated cooling amps - AHAM	TBD	8.3/9.0	TBD	4.9/5.3	7.9	5.7	7.9	9.7	7.9	5.7
Cooling watts	TBD	1,850/1,800	TBD	1,075/1,055	870	630	870	1,075	870	630
Circuit size, amps	20	20	20	20	15	15	15	15	15	15
Plug type (see below)	Tandem/Rt. Angle	Tandem/Rt. Angle	Tandem/Rt. Angle	Perpendicular	Parallel	Parallel	Parallel	Parallel	Parallel	Parallel
Line cord plug recommended circuit protection (time delay)	20 Amps	20 Amps	20 Amps	20 Amps	15 Amps	15 Amps	15 Amps	15 Amps	15 Amps	15 Amps
Line cord length	52' right	52' right	52' right	65' right	72' right	72' right	72' right	72' right	72' right	72' right
Dehumidification (pints/hr.)	TBD	5.5	TBD	2.6	2.0	1.4	2.0	2.7	2.0	1.4
CFM (high shown)	TBD	425	TBD	250	250	210	230	250	250	210
Air exchange exhaust	●	●	●	●	●	●	●	●	●	●
Variable air discharge	4-Way	4-Way	4-Way	4-Way	4-Way	4-Way	4-Way	4-Way	4-Way	4-Way
Control Door	●	●	●							
Fan speeds: Cooling/Heating	2/2	2/2	2/2	2/2	2/2	2/2	2/2	2	2	2
Fan Only position	1	1	1	2	2	2	2	2	2	2
Fan cycle switch				●	●	●	●	●	●	●
Thermostat	8-Position	8-Position	8-Position	Variable Setting	Variable Setting	Variable Setting	Variable Setting	Variable Setting	Variable Setting	Variable Setting
Filter type	Rigid/Slide-Out	Rigid/Slide-Out	Rigid/Slide-Out	Slide-Out	Slide-Out	Slide-Out	Slide-Out	Slide-Out	Slide-Out	Slide-Out
Chassis	Slide-Out	Slide-Out	Slide-Out	Slide-Out	Slide-Out	Slide-Out	Slide-Out	Slide-Out	Slide-Out	Slide-Out
Compressor type	Rotary	Rotary	Rotary	Rotary	Rotary	Rotary	Rotary	Rotary	Rotary	Rotary
Window mounting	Rigid Panel	Rigid Panel	Rigid Panel	Standard	Standard	Standard	Standard	EZ Mount	EZ Mount	EZ Mount
Window opening height (min. in inches)	18	18	18	17	17	17	17	17	17	17
Window opening width (min. in inches)	29	29	29	31	31	31	31	31	31	31
Window opening width (max. in inches)	41	41	41	42	42	42	42	41	41	41
<b>Case Dimensions</b> (See drawing, page 71)										
<b>Height (in inches) A</b>	16-27/32	16-27/32	16-27/32	15-5/8	15-5/8	15-5/8	15-5/8	15-5/8	15-5/8	15-5/8
<b>Width (in inches) B</b>	26	26	26	26	26	26	26	26	26	26
<b>Depth (in inches) C</b>	24-15/16	24-15/16	24-15/16	16-7/8	16-7/8	16-7/8	16-7/8	16-7/8	16-7/8	16-7/8
<b>Depth to louvers (in inches) D</b>	10-15/16	10-15/16	10-15/16	None	None	None	None	None	None	None
Net weight (lbs.)	143	120	TBD	100	91	86	94	98	90	85
Approx. shipping weight (lbs.)	135	133	TBD	108	100	95	102	106	99	93
<b>Heating Capacity - Reverse Cycle</b>										
BTUH - AHAM - H.P.							7,700			
Rated Heating Amps - AHAM							6.8			
COP @ 47°							3.0			
<b>Heating Capacity - Electric</b>										
BTUH - AHAM - I <sup>2</sup> R	TBD	TBD	TBD	11,600/9,480	4,100	4,100	4,100			
Rating Heating Amps - AHAM	TBD	TBD	TBD	15.5/14.0	12.0	12.0	12.0			
Total Heating Load Watts	TBD	TBD	TBD	3,400/2,780	1,200	1,200	1,200			

\*These units are not intended to be the primary source of heat.

## Built-In room air conditioners wall opening for RAB46/47/48 cases

A finished opening of 26-1/8" x 15-3/4", clear of intrusions, is required. Keep clearance of 4" from side walls. Brick veneer or frame walls should have wood studding surrounding case to provide firm anchoring with screws. Case can be fastened directly to brick or block walls with screws sunk in lead expansion shields.

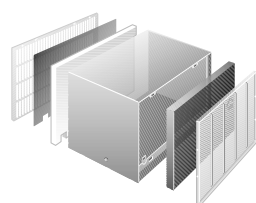
**Note:** Units should be caulked on all four sides of case to the building exterior to assure building integrity.



**Two Wall Cases for Tenant Option Installation**  
When the air conditioner is offered as a tenant option, these wall cases provide protection against outside elements.

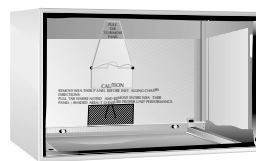
**RAB47**—includes wall case, exterior grille and steel closure panels.

**RAB48**—includes wall case, exterior grille, steel closure panel and two layers of insulation.



### Standard Wall Case RAB46

Solid-sided wall case fabricated of galvanized steel with baked enamel finish. Welded areas are coated with a sealing compound to help resist rust and corrosion. Polymer gasket surrounds opening to assure tight weather seal. Aluminum grille (RAG13) is included. Panels on interior and between case and grille provide weather protection prior to installation of chassis.



**Parallel**  
115V.  
15 Amp.

**Tandem**  
230/208V.  
15 Amp.

**Perpendicular**  
230/208V.  
20 Amp.

**Large Tandem**  
230/208V.  
30 Amp.

### Wall Outlets

All wiring, including installation of receptacle, must be made in accordance with local electrical codes and regulations. Electrical outlet should be in reach of line cord.

**Note:** Aluminum wiring may pose special problems—consult a qualified electrician.

**Note:** Some models may not be available in your area due to local legislation. Contact your local dealer.

**Note:** When installing slide out chassis units in through-the-wall applications, keep louvers free. Do not restrict air flow areas. Fixed chassis units are not suitable for through-the-wall applications.



Listed by Underwriters Laboratories



Total capacity and E.E.R. ratings are calculated based on the Association of Home Appliance Manufacturers' standards.

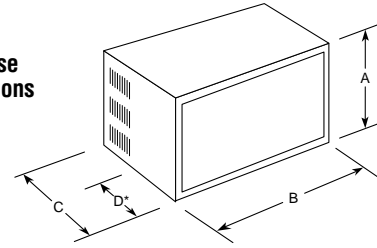


See page 75 for warranty information.

# GE® Dehumidifier and Slide-Aire Specifications

Features	GE		
	ENERGY STAR® AHG50LC	ENERGY STAR® AHG40FC	AHG30LB
	Dehumidification (pints/day)	50	40
Dry Airflow (CFM)	125/115	125/115	TBD
Color	Cameo White	Cameo White	Cameo White
Auto Shut Off	●	●	●
Automatic Defrost	●	●	●
Water Full indicator	●	●	●
Fan speeds	2	2	2
Removable bucket with handle	●	●	●
Bucket capacity (pints)	21	21	21
External drain connector	●	●	●
Casters - 4 movable	●	●	●
Voltage	115	115	115
Watts	580	600	TBD
Amps	5.3	7.0	TBD
Circuit size (Amps)	15	15	15
Plug type	Parallel	Parallel	Parallel
Case Dimensions			
Height (in inches)	20-7/8	20-7/8	20-7/8
Width (in inches)	12-5/8	12-5/8	12-5/8
Depth (in inches)	17-1/8	17-1/8	17-1/8
Shipping weight (lbs.)	45	43	TBD
Net weight (lbs.)	39	38	TBD

## Wall Case Dimensions



\*Distance from front of case to side louvers (excluding grille).



**Parallel**  
115V.  
15 Amp.



**Perpendicular**  
230/208V.  
20 Amp.



**Tandem**  
230/208V.  
15 Amp.



**Large Tandem**  
230/208V.  
30 Amp.

**Note:** When installing slide-out chassis units in through-the-wall applications, keep louvers free. Do not restrict air flow areas. Fixed chassis units are not suitable for through-the-wall applications.

**Note:** Some models may not be available in your area due to local legislation. Contact your local dealer.

Features	Slide-Aire	
	AGX10AA	AGX08FA
BTUH	10,000	8,000
Voltage	115	115
E.E.R. (BTUH/Watt)	9.5	9.5
Amps	TBD	TBD
Watts	TBD	TBD
Plug Type	Parallel	Parallel
Energy Saver Feature		
Dehumidification (pints/hr.)	TBD	TBD
Circulaire™		
Fan Speeds (Cool/Fan Only)	3/2	3/2
CFM (High Shown) (Indoor)	TBD	TBD
Vent/exhaust	Exhaust	Exhaust
Thermostat	10-Position	10-Position
Filter Type	TBD	TBD
Chassis	Fixed	Fixed
Window Mounting	V-Std. Mount	V-Std. Mount
Window Opening Height (min. in inches)	21-1/2	21-1/2
Window Opening Width (in inches) min.	15-1/2	15-1/2
max.	40-1/2	40-1/2
Warranty* (Entire Unit)	Full 1-Yr.	Full 1-Yr.
Warranty* (Sealed Ref. System)	Full 5-Yr.	Full 5-Yr.
Case Dimensions (see drawing, page 71)		
Height (in inches) <b>A</b>	20-1/2	20-1/2
Width (in inches) <b>B</b>	14-1/2	14-1/2
Depth (in inches) <b>C</b>	23	23
Depth to louvers (in inches) <b>D</b>	TBD	TBD
Net Weight (lbs.)	TBD	TBD
Approx. Shipping Weight (lbs.)	TBD	TBD

## Wall Outlets

All wiring, including installation of receptacle, must be made in accordance with local electrical codes and regulations. Electrical outlet should be in reach of line cord.

**Note:** Aluminum building wiring may pose special problems—consult a qualified electrician.

The condensed list below is a convenient overview of the written warranties offered on various Hotpoint and GE® appliances described in this catalog. For complete warranty details on a specific appliance model, contact your nearest Hotpoint/GE appliance dealer, or call GE Factory Service, toll-free, 800-GE-CARES (800-432-2737).

Appliance	Length	Type	Warranty Covers	Parts Or Labor	Where Serviced*
Refrigerators (All models except GMR02BAN, GMR04BAN, GMR06AAM, GWR03AAM)	1-Year	Full	Entire Appliance	Both	In-Home
	Additional 4-Year (5 years total)	Limited	Sealed Refrigeration System, Compressor	Both	In-Home
Refrigerators (Models GMR02BAN, GMR04BAN, GMR06AAM, GWR03AAM)	1-Year	Limited	Entire Appliance	Both	Carry-In**
	Additional 4-Year (5 years total)	Limited	Compressor	Part	Carry-In**
Freezers (Upright and Chest)	1-Year	Limited	Entire Appliance	Both	In-Home
	Additional 4-Year (5 years total)	Full	Sealed Refrig. Sys.	Both	In-Home
	1-Year/5-Year††	Full	Food Spoilage†	N/A	N/A
Washers	1-Year	Full	Entire Appliance	Both	In-Home
	Additional 4-Year (5 years total)	Limited	Transmission	Parts	In-Home***
	Additional 19-Year (20 years total)	Limited	Tuf Tub™ basket	Parts	In-Home***
GE Spacemaker® Washers	1-Year	Full	Entire Appliance	Both	In-Home
	Additional 4-Year (5 years total)	Limited	Transmission	Parts	In-Home***
Dryers (Extra-Large Capacity)	1-Year	Full	Entire Appliance	Both	In-Home
	Additional 4-Year (5 years total)	Limited	Extra-Large Capacity Drum	Parts	In-Home***
Dryers (Large Capacity) and GE Spacemaker® Dryers	1-Year	Full	Entire Appliance	Both	In-Home
Ranges	1-Year	Full	Entire Appliance	Both	In-Home
Hoods	1-Year	Full	Entire Appliance	Both	In-Home
Over-The-Range Microwave Ovens (Models JVM1850/51BF/CF/WF, JVM1840BF/CF/WF, JVM1650BB/AB/CB/WB, JVM1640BB/AB/WB, JVM1631BB/CB/WB, JVM1630BB/WB, JVM1440/41BD/WD)	1-Year	Full	Entire Appliance	Both	In-Home
	Additional 9-Year (10 years total)	Limited	Magnetron Tube	Part	In-Home
Over-The-Range Microwave Ovens (Models RVM1625BD/WD, RVM1435BF/WF)	1-Year	Full	Entire Appliance	Both	In-Home
	Additional 4-Year (5 years total)	Limited	Magnetron Tube	Part	In-Home***
Microwave Ovens (Models JE1840WB/GB, JE1640AB/WB/GB)	1-Year	Full	Entire Appliance	Both	In-Home
	Additional 9-Year (10 years total)	Limited	Magnetron Tube	Part	In-Home***
Microwave Ovens (Models JE1440BF/WF, JE1140BD/WD, JE740WY/GY, JEM25WF/BF)	1-Year	Limited	Entire Appliance	Both	Carry-In**
	Additional 9-Year (10 years total)	Limited	Magnetron Tube	Part	Carry-In**
Microwave Ovens (Models JE620BF/WF, JE710BA)	1-Year	Limited	Entire Appliance	Both	Carry-In**
	Additional 4-Year (5 years total)	Limited	Magnetron Tube	Part	Carry-In**
Dishwashers (Models HDA3400GWW, HDA3400GBB, HDA3700GWW, HDA3700GCC, HDA3700GBB, HDA2000GBB, HDA2000GWW, HDA2000GCC, HDA2000GAA)	1-Year	Full	Entire Appliance	Both	In-Home
	Additional 9-Year (10 years total)	Full	Polypropylene Tub and Door Liner	Both	In-Home
Dishwasher (Models HDA1000GWH and GSS1800Z)	1-Year	Full	Entire Appliance	Both	In-Home
Dishwasher (Models GSC3400G, GSC3200G, GSM2100G)	1 Year	Full	Entire Appliance	Both	In-Home
	Additional 1-Year (2 years total)	Limited	Water Distrib. Sys.	Parts	In-Home***
	Additional 9-Year (10 years total)	Full	PermaTuf® Tub and Door Liner	Both	In-Home
Disposers (Models GFC320F, GFC325F, GFC329G)	1-Year	Full	Entire Appliance	Both	In-Home
Disposers Model GFC1020F	6-Year	limited	Entire Appliance	Parts	Carry In***
Disposers (Models GFC720F, GFC760B)	4-Year	limited	Entire Appliance	Parts	Carry In***
Disposers (Models GFC530F, GFC535F)	2-Year	limited	Entire Appliance	Parts	Carry In***
Disposers (Models GFC520F, GFC525F)	1-Year	limited	Entire Appliance	Parts	Carry In***
Compactors	1-Year	Full	Entire Appliance	Both	In-Home
Room Air Conditioners (Window, Window Built-In)	1-Year	Full	Entire Appliance	Both	In-Home
	Additional 4-Year (5 years total)	Full	Sealed Refrig. Sys.	Both	In-Home
Dehumidifiers	1-Year	Full	Entire Appliance	Both	In-Home
	Additional 4-Year (5 years total)	Full	Sealed Refrig. Sys.	Both	In-Home

\* See warranty for details.

\*\* In-Home service available at additional cost.

\*\*\* Does not include service trip and labor charges.

† Cumulative limits: \$100—14.9 cu. ft. and smaller; \$150—15.0 cu. ft. and larger.

†† One year on spoilage from any part failure. Five years on spoilage from sealed refrigerant system failure.

## Consumer Services

Visit us at [hotpoint.com](http://hotpoint.com)



### We're surfer-friendly!

Completely comprehensive, this site provides you with virtually everything you need to know about Hotpoint® appliances, parts, accessories and service. And, it's also surfer-friendly, so your searches won't be endless—they'll be effortless!

Industry leading support—



### The GE Answer Center® Information Service 800.626.2000. (GEAppliances.com)

Questions? Call any time.

Before or after you buy any GE or Hotpoint appliance, ask us about the features, product comparisons, pricing and where to find it. Call us any time.

We never close.

### GE Genuine Parts 800.626.2002.

Enhance, upgrade or fix it. Check out our accessories!

Accessories can make great GE or Hotpoint products even better. Replacement parts for GE, Hotpoint and most other brands, too. Fast delivery, convenient, direct.

### GE Appliance Service 800.432.2737 (800.GE.CARES)

#### Same day or next day service.

If you ever need product service, we'll come where and when you want—at your convenience. We're the largest manufacturer-owned service organization in the appliance industry. Same or next day service in most cases.

Hotpoint has a policy of continuous improvement on its products and reserves the right to change materials and specifications without notice.

# HOTPOINT®

For now. For the long run.

Appliance Park, Louisville, Kentucky 40225