



Profile

OPAL 2.0 ULTRA ICE MAKER

SAFETY INFORMATION3

PARTS INCLUDED5

GETTING STARTED6

CARE AND CLEANING7

DISPLAY SETTINGS9

MAKING ICE10

WATER FILTER10

SIDE TANK ACCESSORY 11

TROUBLESHOOTING13

ICE MAKER PRODUCT SPECIFICATIONS16

LIMITED WARRANTY17

CONSUMER SUPPORT18

OWNER'S MANUAL

- XPIO13SWBB
- XPIO13SWOW
- XPIO13SWSS
- XPIO23SWBB
- XPIO23SWOW
- XPIO23SWSS
- XPIO13SWSO

ENGLISH/FRANÇAIS ESPAÑOL

Write the model and serial numbers here:

Model # _____

Serial # _____

Find these numbers on a label on the back of the unit.



THANK YOU FOR MAKING GE APPLIANCES A PART OF YOUR HOME.

Whether you grew up with GE Appliances, or this is your first, we're happy to have you in the family.

We take pride in the craftsmanship, innovation and design that goes into every GE Appliances product, and we think you will too. Among other things, registration of your appliance ensures that we can deliver important product information and warranty details when you need them.

The Good Ice™

IMPORTANT SAFETY INFORMATION

READ ALL INSTRUCTIONS BEFORE USING THE APPLIANCE

⚠ WARNING To reduce the risk of fire, explosion, electric shock, or injury when using your Opal, follow these basic safety precautions. follow these basic safety precautions.

- Do not, under any circumstances, alter or remove the third (ground) prong from the power cord. For personal safety, this product must be properly grounded.
- Do not exceed power outlet ratings. It is recommended that the ice maker is connected to its own circuit. Use only a 115 V, 60 Hz standard electrical supply that is properly grounded in accordance with the National Electric Code and local codes and ordinances.
- Due to potential safety hazards under certain conditions, we strongly advise against the use of an extension cord. However, if you must use an extension cord, it is absolutely necessary that it is a UL-listed, 3-wire ground type appliance extension cord having a grounding type plug and that the electrical rating of the cord be 15 Amperes (minimum) and 120 Volts.
- This product must be properly installed and located in accordance with the installation instructions before it is used. Product is for indoor household use only. Do not use outdoors.
- Do not store or use flammable vapors or liquids near this product.
- Do not allow children to climb, stand, or hang on the ice maker. They could seriously injure themselves.
- Do not use with water that is micro-biologically unsafe or of unknown quality.
- Place power cord in such a way it cannot be pulled on by children or cause a tripping hazard.
- Place power cord in such a way that it is not in contact with hot surfaces.
- Do not operate if any component, including the cord or plug, is damaged.
- Unplug the product before cleaning by hand and when not in use.
- Do not immerse any part of the product in water.
- Do not plug or unplug product with wet hands.
- Do not attempt to disassemble, repair, modify, or replace any part of your product.
- Use this product only for its intended purpose as described in this user manual.
- Do not use any accessories not recommended by the manufacturer.
- When handling, installing, and operating the appliance, care should be taken to avoid damage to the refrigerant tubing.
- Servicing shall be performed by factory authorized service personnel and component parts shall be replaced with manufacturer authorized replacement components.
- If the SUPPLY CORD is damaged, it must be replaced by the manufacturer, its service agent or similarly qualified persons in order to avoid a hazard.
- Fill with potable water only.

⚠ CAUTION To reduce the risk of injury when using your Opal, follow these basic safety precautions.

- Do not remove any safety, warning, or product information labels from your ice maker.
- Lifting Hazard: It is recommended to have two people move and install the ice maker in order to prevent injury.

Refrigerant and Foam Disposal

Dispose of appliance in accordance with Federal and Local Regulations. Flammable refrigerant and insulation material used require special disposal procedures. Contact your local authorities for the environmentally safe disposal of your appliance.

⚠ WARNING  **FIRE OR EXPLOSION HAZARD Flammable Refrigerant**

This appliance contains isobutane refrigerant, also known as R600a, a natural gas with high environmental compatibility. However, it is also combustible. Adhere to the warnings below to reduce the risk of injury or property damage.

1. When handling, installing, and operating the appliance, care should be taken to avoid damage to the refrigerant tubing.
2. Service shall only be performed by authorized service personnel. Use only manufacturer-authorized service parts.
3. Dispose of refrigerator in accordance with Federal and Local Regulations. The flammable refrigerant and insulation material used in this product require special disposal procedures. Contact your local authorities for the environmentally safe disposal of your refrigerator.
4. Keep ventilation openings in the appliance enclosures or in the built-in structure clear of obstruction.
5. To remove frost, scrape with a plastic or wood spatula or scraper. Do not use an ice pick or a metal or sharp-edged instrument as it may puncture the freezer liner and then the flammable refrigerant tubing behind it.
6. Do not use electrical appliances inside the food storage compartments of the appliance, unless they are of the type recommended by the manufacturer.
7. Do not use any electrical device to defrost your appliance
8. Do not use mechanical devices or other means to accelerate the defrosting process, other than those recommended by the manufacturer.
9. Do not damage the refrigerant circuit. This warning is only applicable for appliances with refrigerating circuits which are accessible by the user.

READ AND SAVE THESE INSTRUCTIONS

CONSIGNES DE SÉCURITÉ IMPORTANTES

LISEZ, SUIVRE, ET CONSERVER CES INSTRUCTIONS

⚠ AVERTISSEMENT

Pour réduire le risque d'incendie, d'explosion, de choc électrique, ou de blessure lors de l'utilisation de votre Opal, observez les consignes de sécurité élémentaires suivantes.

- En cas, vous ne devez modifier ni retirer la troisième broche (terre) du cordon électrique. Pour votre sécurité, ce produit doit être correctement mis à la terre.
- N'exécédez pas les valeurs nominales de la prise électrique. Nous recommandons que la machine à glaçons soit branchée à son propre circuit. Utilisez uniquement une alimentation électrique standard de 115 V, 60 Hz, correctement mise à la terre conformément au code national de l'électricité et aux codes et règlements locaux en vigueur.
- En raison de risques potentiels pour la sécurité dans certaines conditions, nous vous mettons fortement en garde contre l'utilisation d'un cordon prolongateur. Si toutefois vous devez utiliser un cordon prolongateur, celui-ci doit présenter les caractéristiques suivantes : type pour électroménagers à trois broches avec mise à la terre, fiche avec mise à la terre, homologation UL, valeurs nominales de 15 ampères (minimum) et 120 volts.
- Ce produit doit être installé correctement et placé conformément aux instructions d'installation avant son utilisation. Ce produit est destiné à un usage domestique à l'intérieur seulement. Ne l'utilisez pas à l'extérieur.
- Ne rangez ni n'utilisez des vapeurs ou des liquides inflammables à proximité de ce produit.
- Ne permettez pas aux enfants de grimper sur la machine à glaçons, ni de s'y tenir ou s'y agripper. Ils pourraient se blesser gravement.
- N'utilisez pas d'eau impropre à la consommation ou de qualité douteuse sur le plan microbiologique.
- Placez le cordon électrique de façon qu'il ne soit pas tiré par les enfants et qu'il ne pose pas un risque de trébuchement.
- Placez le cordon électrique de façon qu'il ne touche pas aux surfaces chaudes.
- Ne faites pas fonctionner l'appareil si un de ses composants, cordon et fiche inclus, est endommagé.
- Débranchez le produit avant de le nettoyer à la main ou lorsqu'il n'est pas utilisé.
- N'immergez aucune pièce de ce produit dans l'eau.
- Ne branchez ni ne débranchez le produit avec les mains mouillées.
- Ne tentez pas de démonter, réparer, modifier ou remplacer une pièce quelconque de ce produit.
- Utilisez ce produit uniquement aux fins auxquelles il est destiné qui sont décrites dans ce manuel d'utilisation.
- N'utilisez aucun accessoire qui n'est pas recommandé par le fabricant.
- Lors de la manipulation, de l'installation et de l'utilisation de l'appareil, veillez à ne pas endommager le tube de réfrigérant.
- L'entretien doit être effectué par du personnel de service autorisé par l'usine et les composants doivent être remplacés par des pièces de rechange autorisées par le fabricant.
- Si le CORDON ÉLECTRIQUE est endommagé, il doit être remplacé par le fabricant, son agent de service ou des personnes ayant des qualifications similaires, afin d'éviter de générer des dangers.
- Procédez au remplissage avec de l'eau potable uniquement.

⚠ ATTENTION

Pour réduire le risque de blessure lors de l'utilisation de votre Opal, observez les consignes de sécurité élémentaires suivantes

- Ne retirez aucune étiquette apposée sur la machine à glaçons qui présente des renseignements sur la sécurité, les avertissements ou le produit.
- Risque associé à une charge lourde : Nous recommandons que deux personnes déplacent et installent la machine à glaçons afin de prévenir les blessures.

Élimination du réfrigérant et de la mousse

Jeter l'appareil conformément aux réglementations fédérales et locales. Le réfrigérant inflammable et les matériaux d'isolation utilisés nécessitent des procédures d'élimination spéciales. Contactez vos autorités locales pour l'élimination écologique de votre appareil.

⚠ AVERTISSEMENT



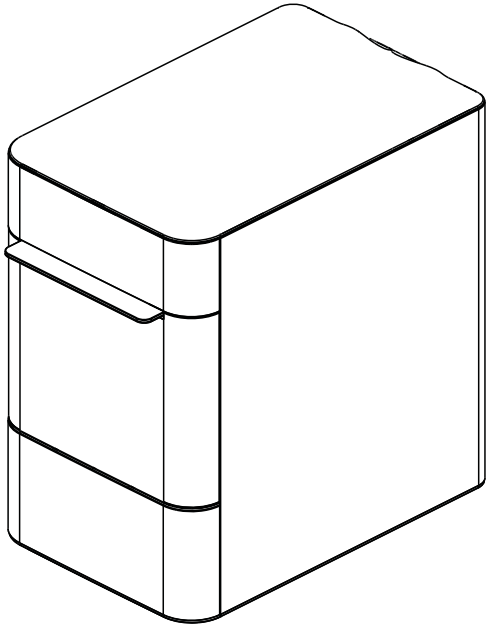
RISQUE D'INCENDIE OU D'EXPLOSION Fluide frigorigène inflammable

Cet électroménager contient le réfrigérant isobutane, aussi connu comme R600a, un gaz naturel à compatibilité élevée avec l'environnement. Il s'agit cependant d'un combustible. Observez les consignes de sécurité ci-dessous afin de réduire le risque de blessure ou de dommage à la propriété.

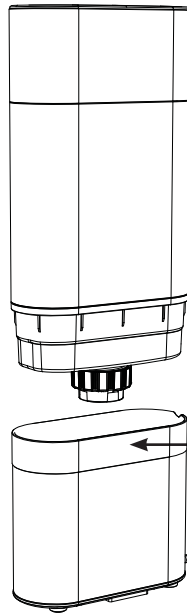
1. Lors de la manipulation, de l'installation et de l'utilisation de cet appareil, prenez soin de ne pas endommager les tubes de circulation du fluide frigorigène.
2. L'entretien ou la réparation doivent être effectués par un personnel de service autorisé. Utilisez seulement des pièces de rechange autorisées par le fabricant.
3. Mettez le réfrigérateur au rebut conformément aux réglementations fédérales et locales. Le fluide frigorigène inflammable et le matériel isolant utilisés nécessitent des procédures de mise au rebut spéciales. Communiquez avec les autorités locales compétentes pour la mise au rebut de votre réfrigérateur sans danger pour l'environnement.
4. N'obstruez pas les événements dans l'enceinte prévue pour l'appareil.
5. Pour retirer le givre, grattez à l'aide d'un grattoir ou d'une spatule en plastique ou en bois. N'utilisez pas un pic à glace ni un instrument métallique ou aux arêtes coupantes car il y a risque de percer la doublure du congélateur et la tubulure du réfrigérant inflammable derrière elle.
6. N'utilisez pas d'appareils électriques à l'intérieur des compartiments de stockage des aliments de l'électroménager, sauf s'ils sont du type recommandé par le fabricant.
7. N'utilisez aucun appareil électrique pour dégivrer votre congélateur.
8. N'utilisez pas d'appareils mécaniques ou d'autres moyens d'accélérer le processus de dégivrage, autres que ceux recommandés par le fabricant.
9. N'endommagez pas le circuit de fluide frigorigène. Cet avertissement est applicable uniquement aux appareils dotés de circuits de réfrigération qui sont accessibles par l'utilisateur.

LISEZ, SUIVRE, ET CONSERVER CES INSTRUCTIONS

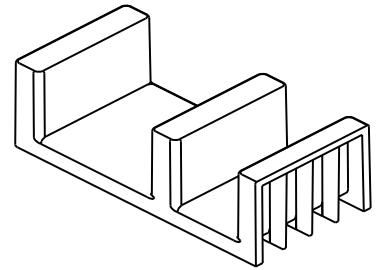
Parts Included



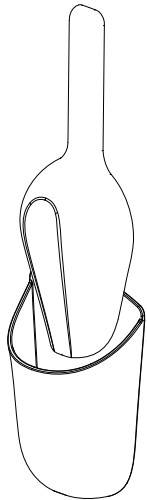
Opal Ice Maker



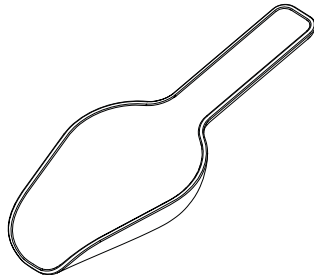
Side Tank



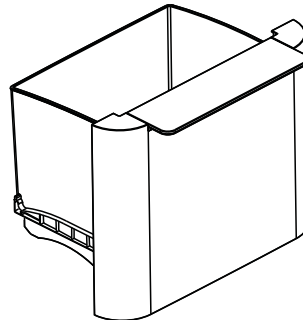
Side Tank Clip



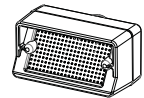
Ice Scoop Holder



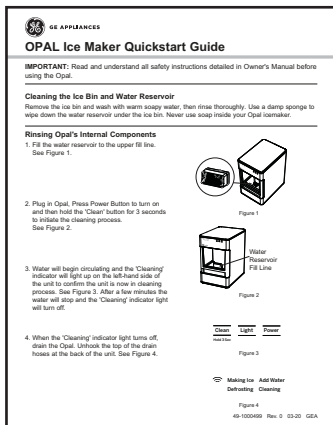
Ice Scoop



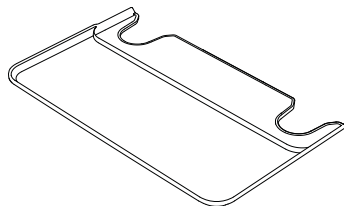
Ice Bin



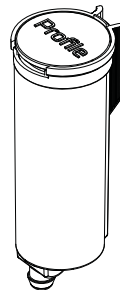
Mesh Screen



Quick Start Guide



Drip Tray



Water Filter (x1)



Descaling Powder (x1)

Getting Started

Installation Requirements

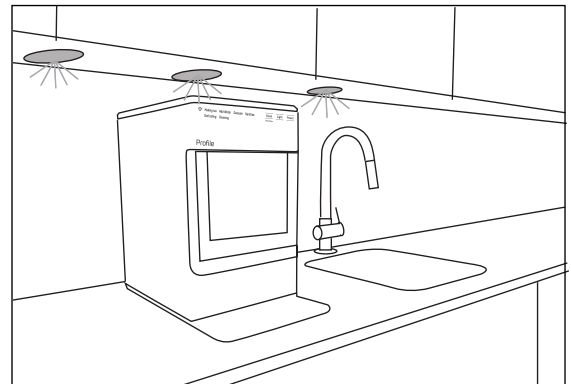
⚠ CAUTION Lifting Hazard: It is recommended to have two people move and install the ice maker in order to prevent injury.

- Product is designed to be installed indoors. Do not use your ice maker outdoors.
- Product must be installed upright on a flat, level surface that is able to support the total weight when full of water.
- Ensure a minimum of four inches (4") clearance on both sides and four inches (4") clearance from the back wall of the ice maker for proper air circulation.
- Install the product in a well-ventilated area with an ambient temperature between 55°F and 90°F.
- Do not place the product near heat sources such as ovens or cooktops.
- Do not place the product in direct sunlight.

Prepare Opal For Use

1. Carefully remove packing material. Do not use sharp tools that can damage the box contents.
2. Ensure all components are present. If any item is missing, please contact 1.866.907.6718.
3. Place the ice maker upright on a flat, level surface and plug it in.
4. Install drip tray by sliding it under the front edge of Opal. The tray slots should align with the front feet of Opal.
5. Sanitize and rinse the ice maker with clean water for five minutes before first use.

⚠ NOTICE Some types of under-cabinet lamps can be hot enough to cause damage to your Opal top's appearance.



Care and Cleaning

Descaling and Sanitizing

To keep nugget ice tasting fresh and ice maker performing properly, descaling/sanitizing is highly recommended.

Descaling is recommended for removing hard mineral deposits and should be performed every 4 weeks depending on water hardness.

Sanitizing is recommended 4 per week. If using tap water, cleaning schedule may need to be adjusted based on hardness of water.

Harder water may require more frequent descaling. Using distilled water is suggested to limit scale build-up.

Cleaning the Exterior

To clean the exterior of the ice maker, unplug the product, then use a soft cloth dampened with soapy water to gently clean the exterior surfaces. Dry with a soft cloth. Do not use soap to clean the reservoir. Use a soft cloth moistened with water.

⚠ WARNING Chemical Exposure Hazard, when cleaning with bleach, use bleach in a well ventilated area and avoid mixing bleach with other household cleaners.

⚠ WARNING Unplug the product before cleaning by hand, and when not in use.

Cleaning the Bin and Tray

To clean the ice bin, remove the ice bin from the ice maker and clean with a soft cloth dampened with soapy water. Rinse thoroughly. Dry with a soft cloth. **Do not use solvents or chemicals.**

The drip tray should be wiped dry. Water left in this area may leave deposits. To clean the drip tray, remove the tray from Opal and use a soft cloth dampened with mild soapy water to gently clean the surface. Dry with a soft cloth. **Do not use solvents or chemicals.**

How to Drain Your Opal

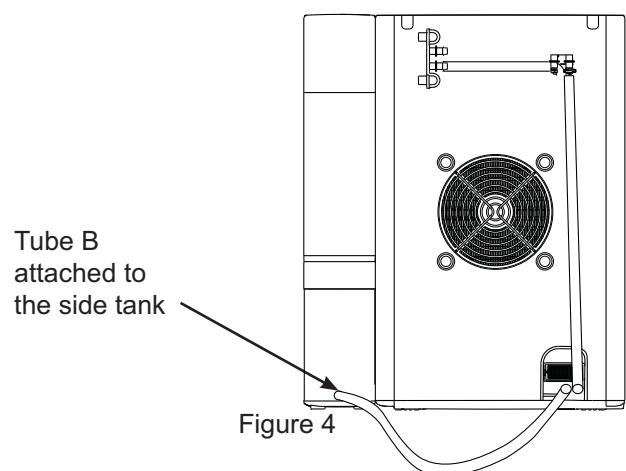
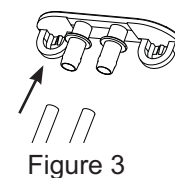
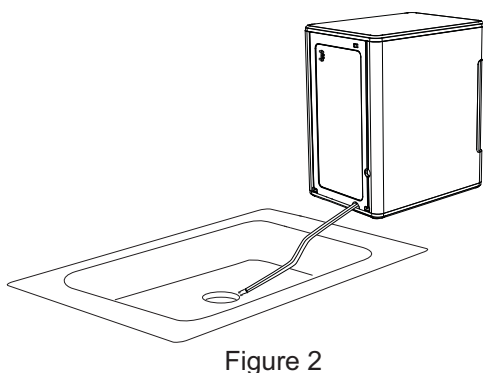
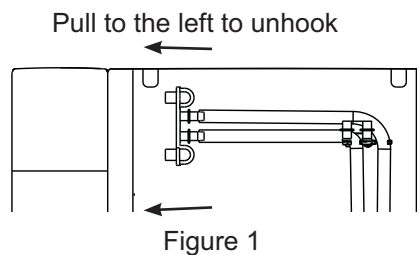
Before You Drain:

- Remove the Side Tank from it's base if you have one connected
- The side tank base will have residual water present. Empty the side tank base of any residual water.

Draining Your Opal

- Disconnect both tubes from the back of the machine / side tank base and drape them into your sink, a bowl, a bucket, or a vessel that can hold at least 0.5 Gal / 2 Liters of water. (Figure 1 and 2)

- Allow the water to drain out naturally or tap the "Clean" button to pump the water out of the system into the nearby vessel.
- Once water stops flowing, reconnect the drain tubes to the drain plug (Figure 3), or if you have a side tank, reconnect the unlabeled tube to the drain plug, and Tube B to the Side Tank base (Figure 4).



Care and Cleaning

How to Descale / Sanitize

Before You Descale/Sanitize:

- Unplug your Opal
- Drain your Opal (See draining instructions on page 7)
- Disconnect side tank if present
- Once draining is complete, reconnect both tubes to the gray plastic tube plug (Figure 5)
- Uninstall all accessory filters and replace mesh screen that came with the unit. (Figure 6)

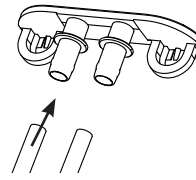


Figure 5

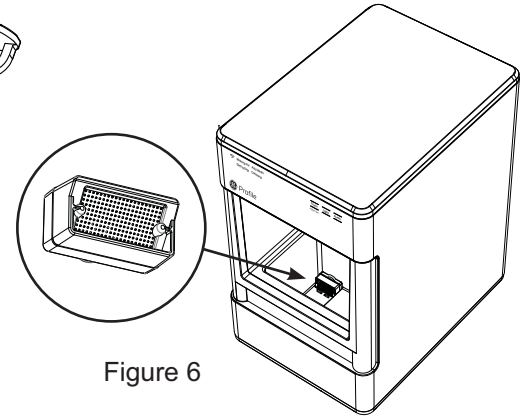


Figure 6

Starting your Descale

Descaling helps to break down and remove mineral deposits from the ice system.

1. For best results, add 1 packet of Opal Citric Acid Powder Descaler to a full inner reservoir of hot water.
2. Plug in your Opal and hold the “Clean” button to initiate a 55 min descale cycle.
3. Once the descale cycle is complete, rinse your Opal (See Rinsing Your Opal section below).

Starting your Sanitize

Sanitizing helps refresh your Opal system to keep ice hygienic and tasting great.

1. For best results, add 1 teaspoon of bleach to a full inner reservoir of water.
2. Plug in your Opal and tap the “Clean” button to initiate a 3 min sanitize cycle.
3. Once the sanitize cycle is complete, rinse your Opal (See Rinsing Your Opal section below).

Rinsing Your Opal

1. Drain your Opal (See draining instructions on page 7)
Reconnect drain tubes to drain plug.
2. Fill the inner reservoir with fresh water.
3. Tap the “Clean” button to initiate a 3 min rinse cycle.
4. After the rinse cycle is completed, disconnect tubes, drain water, reconnect tubes, and refill with fresh water.
5. Repeat step 5 & 6, 2 more times – complete 3 total rinses
6. Once rinsing is complete, reconnect the drain tubes to the drain plug (Figure 5), or if you have a side tank, reconnect the unlabeled tube to the drain plug, and Tube B to the Side Tank base (Figure 4).
7. Opal is ready to make Fresh Ice!

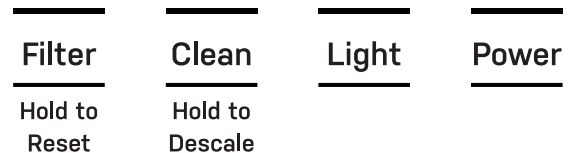


Figure 7

⚠ WARNING Scalding Hazard

Water temperatures coming from tap are dependent on water heater settings. Water temperatures above 125° F (52° F) can cause severe burns from scalding. Children, the disabled, and the elderly are at highest risk of being scalded. Use caution when descaling with hot water.

Rear Air Filter

Air Filter

The air filter behind the unit should be checked and cleaned at least every 2 months.

To Remove

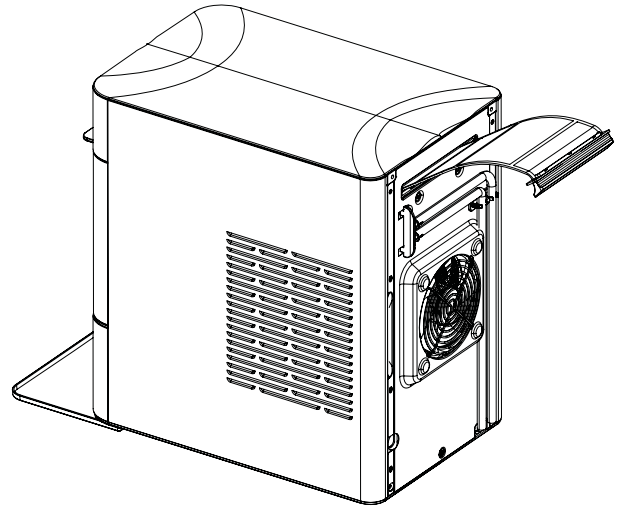
To remove the filter attached to the back panel of the unit, pull it out gently by holding the filter handle.

To Clean

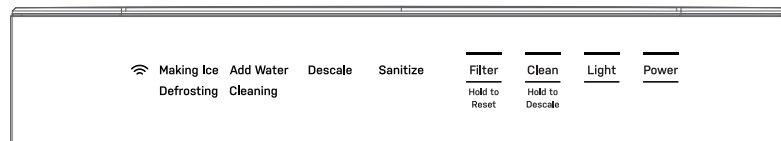
Clean the filter with warm, soapy water, Rinse and let the filter dry before replacing it.

NOTE: DO NOT put the filter in an automatic dishwasher

CAUTION Do not operate an ice machine without a filter because dirt and lint can clog the condenser and reduce performance.



Understanding the Display



Power

The Power button, when pressed, will begin the ice making process. When pressed, while ON, will turn the ice maker off.

Light

The light feature has three different modes: ON/DIM/OFF. Toggle between the three modes by pressing the light button until you reach your desired lighting mode.

Clean

Tap the Clean button to start a Sanitizing or Rinse cleaning cycle. Hold the Clean button to start a Descal cleaning cycle.

Filter

The filter will help you track your filter life status. If the filter light is pulsing, it means your filter is expired or awaiting initial setup. Hold the filter button to start or reset the filter tracker. Tap the filter button at any time to hide or show the filter status light.

Sanitize

The Sanitize light turns ON after 25 hours of ice making. (see Page 7 for Sanitizing instructions)

Descal

The Descal light turns ON after 100 hours of ice making. (see page 7 for Descaling instructions).

Defrosting

If the ice maker has detected a frozen auger and low ice production then the Defrosting indicator will light up. The unit will run a rinse cycle to defrost the ice maker and then start making ice again.

Indicator Lights

The six indicator lights on the left-hand side of the unit display the current status of the Opal. If 'Add Water' is highlighted, your unit needs more water before it can cycle to make ice or clean.

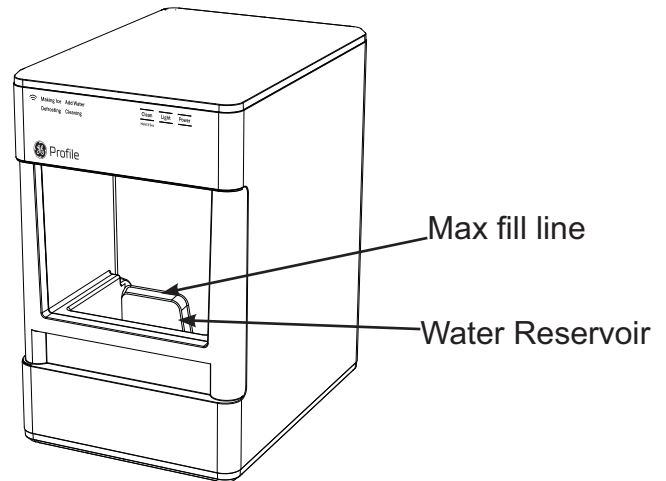
WiFi

Using the complimentary SmartHQ mobile app, customers can connect to their Opal and control it from their Android or iPhone. The indicator light on the left-hand side will confirm a successful connection. See page 14 for how to connect Opal 2.0 Ice Maker to WiFi Application.

Making Ice with Opal

Once Opal has been cleaned/sanitized, move the ice maker to its desired location and complete the following steps.

1. Remove ice bin.
2. Fill reservoir with drinking water up to the "Max Fill" line. Water hardness must be less than 12 grains per gallon. Do not fill reservoir with any liquid except water. Using any liquid except potable water is misuse and will void your warranty.
3. Plug the ice maker into a grounded outlet.
4. Touch the Power button to start the ice maker. The indicator on the left-hand side will light up 'Making Ice' to confirm that unit has begun to make ice.
5. Opal will begin to produce ice in 10-30 minutes. It will continue to make ice until the bin is full, or it runs out of water. To continue making ice, just add more water.



Draining Opal

We recommend draining your Opal when:

1. You put it away or anytime it's being relocated
2. You turn it off for more than a few days. (i.e. vacation)
3. You are not using much ice. Continuous recirculation of melt-water may affect taste. For best results, drain your Opal.

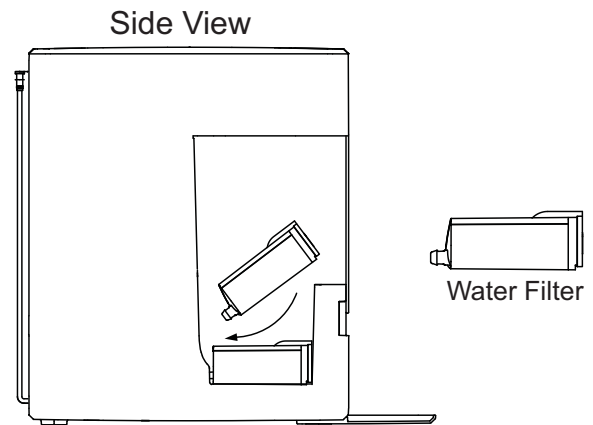
Water Filter

The Opal Water Filter, is available at GE Appliances and is the only water filter compatible with Opal. Please follow the installation instructions included with your filter.

NOTE: Remove your water filter (if installed) and reinstall the screened intake cap prior to cleaning your Opal.

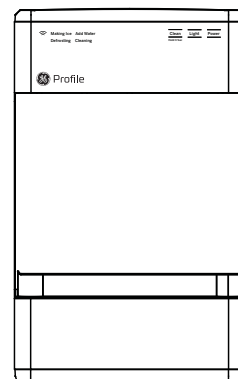
INSTALLATION INSTRUCTIONS

1. Remove the mesh screen that came installed in your Opal. This screen is located in the lower left corner of the Opal water reservoir.
2. Make sure you save this mesh screen for use when no water filter is installed.
3. Insert your Opal water filter into the hole where the mesh screen was installed. Be sure the filter plug is facing away from you, and the finger grips are closest to you.
4. It is best to position the filter at a vertical 45 degrees angle for easiest installation. Once the filter plug is inserted completely, push the filter down until you hear a clicking sound.
5. You will know the filter is in place when you hear the click and the filter feels secure in the machine.



Water filter snaps into place

Front View



Side Tank Accessory

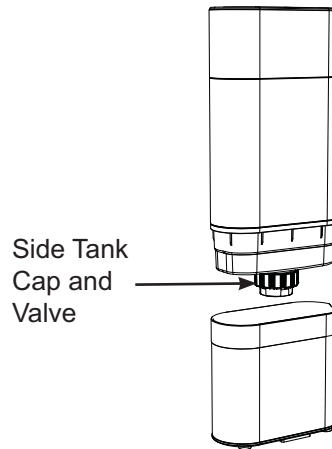
⚠ WARNING To reduce the risk of electrical shock or injury when using your Opal, follow these basic safety precautions:

- Unplug the product before cleaning by hand and when not in use.
- Do not use with water that is microbiologically unsafe or of unknown quality.
- Use caution when filling and installing Opal Side Tank, as filled unit may be heavy.
- Do not use this side tank for any liquid other than water.
- Children should not fill or install Opal Side Tank, as filled unit may be heavy.
- Side tank should be assembled to ice maker per installation instructions. Installing side tank in a different manner may result in overturning risk.
- Make sure that Opal Nugget Ice Maker is unplugged when draining reservoir and installing Opal Side Tank.

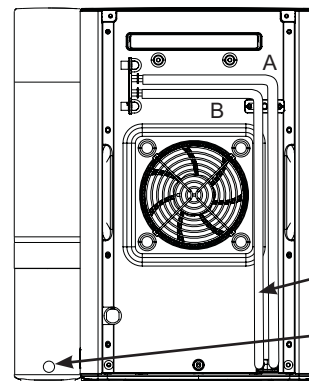
NOTE: There are two drain tubes located on the back of your Opal Nugget Ice Maker indicated as drain tube A and B in the illustration below.

1. Hand Wash Only: Rinse and hand wash Opal Side Tank with warm water and a mild dish soap. Rinse the cap, rubber valve, tank and the base well to remove any residual soap (see illustration).

DO NOT WASH THE SIDE TANK IN THE DISHWASHER.



2. Unplug Opal Nugget Ice Maker. Unhook Opal's drain tubes and drain the water from the reservoir.
3. Connect drain tube, labeled B, to the back of Opal Side Tank's base.
4. Make sure drain tube (A) is connected to the black hanger and installed on the back of Opal.
5. Make sure drain tube (B) connecting to the Side Tank is resting flat on the countertop.
6. Place Opal Side Tank base on the right or left-hand side of the Opal Nugget Ice Maker. Using the side tank attachment, slide the shorter side of the attachment under the unit, near the front of the unit. The attachment will slide into a slot on the bottom of the unit. Once this is placed, the side tank can slide onto the opposite attachment. See figures on next page. Do not elevate the side tank or your ice maker reservoir may overflow.

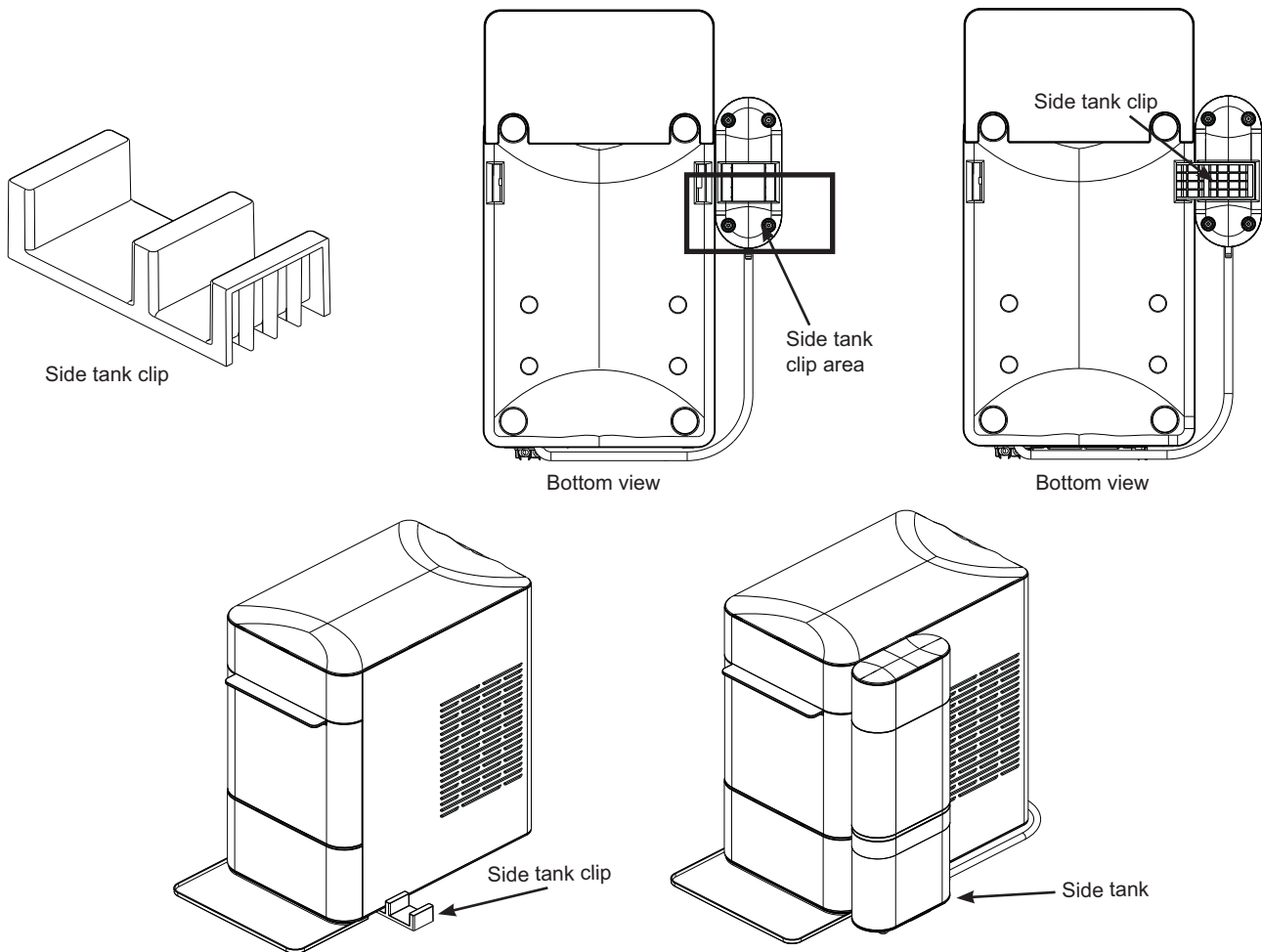


Unplug this drain tube (B) from the black hanger and connect this tube to the Side Tank.

Plug drain tube B into the side tank here.

Side Tank Accessory

6. Continued.



7. Lift the side tank reservoir from the base, unscrew the cap and fill side tank with water. Replace cap after side tank reservoir is full.
8. Carefully flip over Opal Side Tank's reservoir and place in the base. Water should start flowing into the Opal Nugget Ice Maker and bubbles in the Opal Side Tank will appear periodically during the time water is flowing to the ice maker.
9. Fill Opal Nugget Ice Maker's reservoir (if desired).
10. Plug in Opal Nugget Ice Maker, and begin making ice.

Use and Care

Cleaning the Side Tank

- Remove and drain the Side Tank.
- If there is residual water in Opal Side Tank base unit, flip Opal Side Tank's base to drain.
- Remove and wash Opal Side Tank's cap and valve with dish soap and warm water as needed. Ensure the cap is clean after removing and re-installing by hand.

- Only remove drain tubes while near a sink or bucket, as removing drain tubes from Opal or Opal Side Tank will drain any water in either unit.

Proper Installation and Location

The side tank should be installed flush to the front of the Opal Nugget Ice maker. Opal Side Tank needs to sit on the same level surface as your Opal Nugget Ice Maker. Do not elevate Opal Side Tank, or your Opal may overflow.

Side Tank Troubleshooting

If water does not flow from the Side Tank to the Opal Ice Maker:

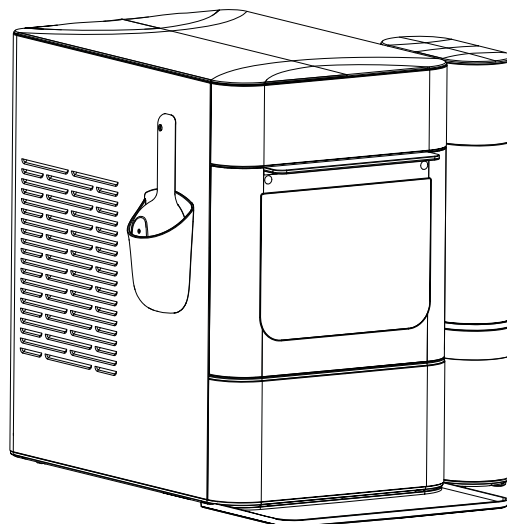
There may be bubbles in the tube connecting the side tank to the Opal if the tube is not lying flat. Try adjusting the tube to allow the water to flow. Once water starts flowing it typically will not need further adjusting.

Scoop Holder Accessory

Scoop Holder

Your Opal includes a magnetized scoop holder that can be placed on the outside of the unit to hold the scoop.

We recommend cleaning the scoop & scoop holder regularly with warm soapy water.



Troubleshooting

Normal Operating Sounds

Your new ice maker may make sounds that are not familiar. Most of these sounds are normal. Hard surfaces like the floor, walls, and countertops can amplify these sounds. The following describes the sounds that may be new to you and what may be creating them.

- **WHIR** - When Opal is first turned on, you may notice the condenser fan spinning.
- **BUZZ** - When the water pump first turns on, it may be dry and slightly noisy. Once it is filled with water, the noise reduces significantly.
- **RATTLE** - Rattling noises may be produced from the flow of the refrigerant. These noises should reduce significantly once the refrigerant system has stabilized.
- **GURGLE** - When the refrigerant system shuts off, there may be a brief gurgle as the refrigerant stops flowing.
- **HUM** - The compressor is a motor. It produces a low toned humming sound while it is running.
- **CLICK** - As nugget ice is produced, it drops into the ice drawer. The first nuggets produced are the loudest, as they impact the bottom of the ice bin. As the bin fills, this noise reduces significantly.
- **SQUEAK** - When Opal is in need of defrosting, it may start to squeak as ice starts to build up around the mechanisms. The defrost cycle is automatic, and may take 30-45 minutes. During this time, the front button won't respond. More frequent squeaking usually requires white vinegar cleaning to remove internal mineral scale buildup.

WiFi Connect – SmarthQ

Your OPAL 2.0 ice maker is WiFi Connect Enabled. A WiFi communication card is built into the product allowing it to communicate with your Smart Phone for remote monitoring, control, and notifications.

Please visit geappliances.com/ge/connected-appliances/ to learn more about connected appliance features and to learn what connected appliance App's will work with your Smart Phone.

Regulatory Module Instruction

This Wi-Fi/Bluetooth module installed in this product has been granted modular approval for mobile applications. The module has been certified by FCC/IC/Bluetooth SIG, and complies with FCC/IC regulations. The product description is as follows.

- Product Name: Opal 2.0 Ice Maker
- Contains FCC ID: ZKJ-WCATA008
- Contains IC: 10229A-WCATA008

RF Exposure Information

This device complies with 47 CFR § 2.1091 and 2.1093.

§ 2.1091 Radiofrequency radiation exposure evaluation: mobile devices.

(b) For purposes of this section, the definitions in § 1.1307(b)(2) of this chapter shall apply. A mobile device is defined as a transmitting device designed to be used in other than fixed locations and to generally be used in such a way that a separation distance of at least 20 centimeters is normally maintained between the RF source's radiating structure(s) and the body of the user or nearby persons. In this context, the term "fixed location" means that the device is physically secured at one location and is not able to be easily moved to another location while transmitting. Transmitting devices designed to be used by consumers or workers that can be easily re-located, such as wireless devices associated with a personal desktop computer, are considered to be mobile devices if they meet the 20-centimeter separation requirement.

(d) (4) In some cases, e.g., modular or desktop transmitters, the potential conditions of use of a device may not allow easy classification of that device as either mobile or portable (also see § 2.1093). In such cases, applicants are responsible for determining minimum distances for compliance for the intended use and installation of the device based on evaluation of either specific absorption rate (SAR), field strength or power density, whichever is most appropriate.

§ 2.1093 Radiofrequency radiation exposure evaluation: portable devices.

(b) For purposes of this section, the definitions in § 1.1307(b)(2) of this chapter shall apply. A portable device is defined as a transmitting device designed to be used in other than fixed locations and to generally be used in such a way that the RF source's radiating structure(s) is/are within 20 centimeters of the body of the user.

Further guidance for equipment used in general population/uncontrolled or occupational/controlled environments is provided in various KDB Publications 447498 and 616217.

447498 RF exposure procedures and equipment authorization policies for mobile and portable devices

616217 SAR evaluation considerations for laptop, notebook, netbook, and tablet computers

FCC Part 15 Information

(COMPLIANCE INFORMATION)

This device complies with part 15 of the FCC Rules.

Operation is subject to the following two conditions.

- 1) This device may not cause harmful interference, and
- 2) This device must accept any interference received, including interference that may cause undesired operation.
 - a. That module is limited to OEM installation ONLY.
 - b. That OEM integrators are responsible for ensuring that the end-user has no manual instructions to remove or install module.
 - c. That module is limited to installation in mobile or fixed applications, according to Part 2.1091(b).
 - d. That separate approval is required for all other operating configurations, including portable configurations with respect to Part 2.1093 and different antenna configurations.
 - e. That grantee shall provide guidance to the host manufacturer for compliance with Part 15 subpart B requirements.

Regulatory Module Instruction

FCC Part 15 Information (cont.)

(INFORMATION TO USER)

NOTE: This equipment has been tested and found to comply with the limits for a Class B digital device, pursuant to part 15 of the FCC Rules. These limits are designed to provide reasonable protection against harmful interference in a residential installation. This equipment generates, uses, and can radiate radio frequency energy and, if not installed and used in accordance with the instructions, may cause harmful interference to radio communications. However, there is no guarantee that interference will not occur in a particular installation. If this equipment does cause harmful interference to radio or television reception, which can be determined by turning the equipment off and on, the user is encouraged to try to correct the interference by one or more of the following measures:

- Reorient or relocate the receiving antenna.
- Increase the separation between the equipment and receiver.
- Connect the equipment into an outlet on a circuit different from that to which the receiver is connected.
- Consult the dealer or an experienced radio/TV technician for help.

⚠ CAUTION Changes or modifications not expressly approved by the party responsible for compliance could void the user's authority to operate the equipment.

FCC Part 15 Information

This device complies with Industry Canada's license-exempt RSSs. Operation is subject to the following two conditions:

- (1) This device may not cause interference; and
- (2) This device must accept any interference, including interference that may cause undesired operation of the device.

This equipment complies with radiation exposure limits set forth for an uncontrolled environment and meets FCC Radio Frequency (RF) exposure guidelines and RSS-102 **Radio Frequency (RF) Exposure Compliance of Radiocommunication Apparatus (All Frequency Bands)**. This equipment radiates very low RF energy which is deemed to comply without specific absorption rate (SAR) evaluation.

Ice Maker Product Specifications

Description of product	Portable nugget ice maker
Model	XPIO13SWBB, XPIO13SWOW, XPIO13SWSS, XPIO23SWBB, XPIO23SWOW, XPIO23SWSS, XPIO13SWSO
Voltage/Frequency	120V AC/60Hz
Current	3.0 A
Ice storage capacity	3.0 lbs
Ice making rate	38 lb./day 1.6 lb./hr. @70°F ambient / 60°F Water; 32 lb./day 1.33 lb./hr. @90°F ambient / 70°F Water per DOE*
Dimensions (width x depth x height)	13.43 x 17.5 x 16.5
Installation clearance (sides and back)	4 in
Operating environment	55°F - 90°F
Weight (when empty)	37.6 lbs

NOTE: Technical data and performance information provided for reference only.

Specifications are subject to change. Check the rating label on your ice maker for the most accurate information.

*The actual quantity of ice produced will vary with environmental conditions.

GE Appliances Ice Maker Limited Warranty

GEAppliances.com

Please have your serial number and your model number available when calling for service. Call 1.866.907.6718 for service questions.

For the Period of:	GE Appliances Covers
One Year From the date of the original purchase	If the ice machine fails due to a defect in materials or workmanship, during the limited one-year warranty , GE Appliances will either replace your product with a new or remanufactured product, or refund the purchase price of the product at GE Appliances sole discretion.

What GE Appliances Will Not Cover:

- Service trips to your home.
- Improper installation, delivery or maintenance.
- Failure of the product if it is abused, misused, or used for other than the intended purpose or used commercially.
- Replacement of house fuses or resetting of circuit breakers.
- Damage caused after delivery.
- Replacement of the light bulbs, if included.
- Damage to the product caused by accident, fire, floods or acts of God.
- Incidental or consequential damage caused by possible defects with this appliance.
- Software bugs that can be corrected with an update via the SmartHQ App
- Labor and other charges to install and/or remove the product

EXCLUSION OF IMPLIED WARRANTIES

Your sole and exclusive remedies are product exchange or refund as provided in this Limited Warranty. Any implied warranties, including the implied warranties of merchantability or fitness for a particular purpose, are limited to one year or the shortest period allowed by law.

For US Customers: This limited warranty is extended to the original purchaser for products purchased for home use within the USA. In Alaska and Hawaii, the limited warranty does not include the costs of shipping units. Some states do not allow the exclusion or limitation of incidental or consequential damages. This warranty gives you specific legal rights, and you may also have other rights which vary from state to state. To know what your legal rights are, consult your local or state consumer affairs office or your state's Attorney General.

Warrantor: GE Appliances, a Haier company
Louisville, KY 40225

For Customers in Canada: This limited warranty is extended to the original purchaser and any succeeding owner for products purchased in Canada for home use within Canada. In-home warrant service will be provided in areas where it is available and deemed reasonable by Mabe to provide. For extended warranty information, visit geappliances.ca/purchase-extended-warranty

Warrantor Canada: MC Commercial, Burlington, Ontario, L7L 6C7

Staple your receipt here. Proof of the original purchase date is needed to obtain service under the warranty.

Consumer Support

Service and Registration

Register your new appliance on-line at your convenience! Timely product registration will allow for enhanced communication and prompt service under the terms of your warranty, should the need arise.

Register your appliance at **GEAppliances.com/register** or visit **myopalservice.com** to submit a service request.

Contact Us

If you are not satisfied with the service you receive from GE Appliances, contact us on our Website with all the details including your phone number, or write to:

In the US: General Manager, Customer Relations | GE Appliances, Appliance Park | Louisville, KY 40225

GEAppliances.com/contact

In Canada: Director, Customer Relations | MC Commercial Inc. | Suite 300, 5420 North Service Road | Burlington, ON L7L 6C7

GEAppliances.ca/en/contact-us



MACHINE À GLAÇONS ULTRA OPAL 2.0

CONSIGNES DE SÉCURITÉ IMPORTANTES.....	3
PIÈCES INCLUSES.....	4
COMMENT DÉMARRER.....	5
ENTRETIEN ET NETTOYAGE.....	6
COMPRENDRE L’AFFICHAGE.....	8
PRODUIRE DES GLAÇONS AVEC L’OPAL.....	9
FILTRE À EAU.....	9
RÉSERVOIR LATÉRAL.....	10
CONSEILS DE DÉPANNAGE.....	12
SPÉCIFICATIONS DE LA MACHINE À GLAÇONS.....	15
GARANTIE LIMITÉE.....	17
SOUTIEN AU CONSOMMATEUR.....	18

MANUEL D’UTILISATION

XPIO13SWBB
XPIO13SWOW
XPIO13SWSS
XPIO23SWBB
XPIO23SWOW
XPIO23SWSS
XPIO13SWSO

FRANÇAIS

Transcrivez les numéros de modèle et de série ici :

de modèle _____

de série _____

Vous trouverez ces numéros sur l’étiquette à l’arrière de l’appareil.



NOUS VOUS REMERCIONS D'INTÉGRER GE APPLIANCES À VOTRE DEMEURE.

Que vous ayez grandi avec des électroménagers GE ou qu'il s'agisse de votre première acquisition, nous sommes heureux de vous accueillir dans notre famille.

Nous sommes fiers du savoir-faire, de l'innovation et du design qui constituent chaque électroménager GE, et nous pensons que vous le serez aussi. Nous vous rappelons que l'enregistrement de votre électroménager vous assure de recevoir des renseignements importants sur le produit et la garantie lorsque vous en avez besoin.

The Good Ice™

CONSIGNES DE SÉCURITÉ IMPORTANTES

LISEZ, SUIVRE, ET CONSERVER CES INSTRUCTIONS

⚠ AVERTISSEMENT

Pour réduire le risque d'incendie, d'explosion, de choc électrique, ou de blessure lors de l'utilisation de votre Opal, observez les consignes de sécurité élémentaires suivantes.

- En cas, vous ne devez modifier ni retirer la troisième broche (terre) du cordon électrique. Pour votre sécurité, ce produit doit être correctement mis à la terre.
- N'excédez pas les valeurs nominales de la prise électrique. Nous recommandons que la machine à glaçons soit branchée à son propre circuit. Utilisez uniquement une alimentation électrique standard de 115 V, 60 Hz, correctement mise à la terre conformément au code national de l'électricité et aux codes et règlements locaux en vigueur.
- En raison de risques potentiels pour la sécurité dans certaines conditions, nous vous mettons fortement en garde contre l'utilisation d'un cordon prolongateur. Si toutefois vous devez utiliser un cordon prolongateur, celui-ci doit présenter les caractéristiques suivantes : type pour électroménagers à trois broches avec mise à la terre, fiche avec mise à la terre, homologation UL, valeurs nominales de 15 ampères (minimum) et 120 volts.
- Ce produit doit être installé correctement et placé conformément aux instructions d'installation avant son utilisation. Ce produit est destiné à un usage domestique à l'intérieur seulement. Ne l'utilisez pas à l'extérieur.
- Ne rangez ni n'utilisez des vapeurs ou des liquides inflammables à proximité de ce produit.
- Ne permettez pas aux enfants de grimper sur la machine à glaçons, ni de s'y tenir ou s'y agripper. Ils pourraient se blesser gravement.
- N'utilisez pas d'eau impropre à la consommation ou de qualité douteuse sur le plan microbiologique.
- Placez le cordon électrique de façon qu'il ne soit pas tiré par les enfants et qu'il ne pose pas un risque de trébuchement.
- Placez le cordon électrique de façon qu'il ne touche pas aux surfaces chaudes.
- Ne faites pas fonctionner l'appareil si un de ses composants, cordon et fiche inclus, est endommagé.
- Débranchez le produit avant de le nettoyer à la main ou lorsqu'il n'est pas utilisé.
- N'immergez aucune pièce de ce produit dans l'eau.
- Ne branchez ni ne débranchez le produit avec les mains mouillées.
- Ne tentez pas de démonter, réparer, modifier ou remplacer une pièce quelconque de ce produit.
- Utilisez ce produit uniquement aux fins auxquelles il est destiné qui sont décrites dans ce manuel d'utilisation.
- N'utilisez aucun accessoire qui n'est pas recommandé par le fabricant.
- Lors de la manipulation, de l'installation et de l'utilisation de l'appareil, veillez à ne pas endommager le tube de réfrigérant.
- L'entretien doit être effectué par du personnel de service autorisé par l'usine et les composants doivent être remplacés par des pièces de rechange autorisées par le fabricant.
- Si le CORDON ÉLECTRIQUE est endommagé, il doit être remplacé par le fabricant, son agent de service ou des personnes ayant des qualifications similaires, afin d'éviter de générer des dangers.
- Procédez au remplissage avec de l'eau potable uniquement.

⚠ ATTENTION

Pour réduire le risque de blessure lors de l'utilisation de votre Opal, observez les consignes de sécurité élémentaires suivantes

- Ne retirez aucune étiquette apposée sur la machine à glaçons qui présente des renseignements sur la sécurité, les avertissements ou le produit.
- Risque associé à une charge lourde : Nous recommandons que deux personnes déplacent et installent la machine à glaçons afin de prévenir les blessures.

⚠ AVERTISSEMENT



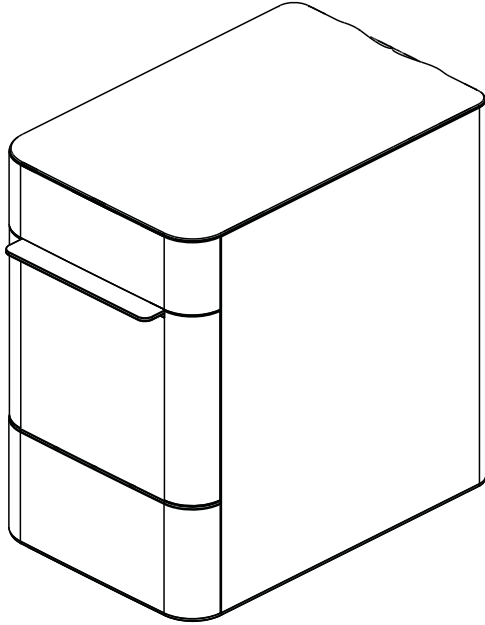
RISQUE D'INCENDIE OU D'EXPLOSION Fluide frigorigène inflammable

Cet électroménager contient le réfrigérant isobutane, aussi connu comme R600a, un gaz naturel à compatibilité élevée avec l'environnement. Il s'agit cependant d'un combustible. Observez les consignes de sécurité ci-dessous afin de réduire le risque de blessure ou de dommage à la propriété.

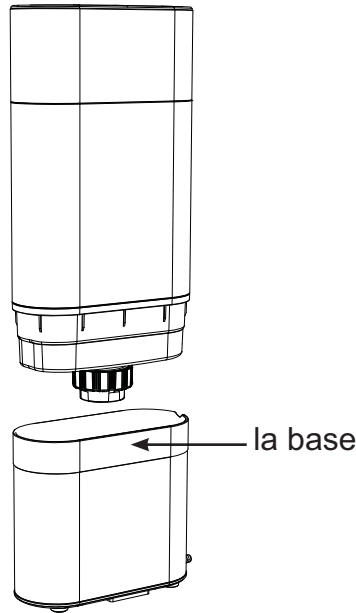
1. Lors de la manipulation, de l'installation et de l'utilisation de cet appareil, prenez soin de ne pas endommager les tubes de circulation du fluide frigorigène.
2. L'entretien ou la réparation doivent être effectués par un personnel de service autorisé. Utilisez seulement des pièces de rechange autorisées par le fabricant.
3. Mettez le réfrigérateur au rebut conformément aux réglementations fédérales et locales. Le fluide frigorigène inflammable et le matériel isolant utilisés nécessitent des procédures de mise au rebut spéciales. Communiquez avec les autorités locales compétentes pour la mise au rebut de votre réfrigérateur sans danger pour l'environnement.
4. N'obstruez pas les événements dans l'enceinte prévue pour l'appareil.
5. Pour retirer le givre, grattez à l'aide d'un grattoir ou d'une spatule en plastique ou en bois. N'utilisez pas un pic à glace ni un instrument métallique ou aux arêtes coupantes car il y a un risque de percer la doublure du congélateur et la tubulure du réfrigérant inflammable derrière elle.
6. N'utilisez pas d'appareils électriques à l'intérieur des compartiments de stockage des aliments de l'électroménager, sauf s'ils sont du type recommandé par le fabricant.
7. N'utilisez aucun appareil électrique pour dégivrer votre congélateur.
8. N'utilisez pas d'appareils mécaniques ou d'autres moyens d'accélérer le processus de dégivrage, autres que ceux recommandés par le fabricant.
9. N'endommagez pas le circuit de fluide frigorigène. Cet avertissement est applicable uniquement aux appareils dotés de circuits de réfrigération qui sont accessibles par l'utilisateur.

LISEZ, SUIVRE, ET CONSERVER CES INSTRUCTIONS

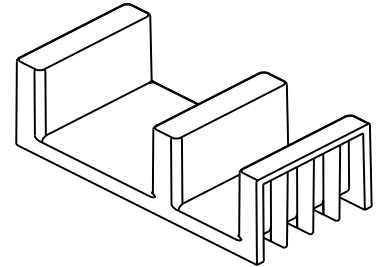
Pièces Incluses



machine à glaçons opale



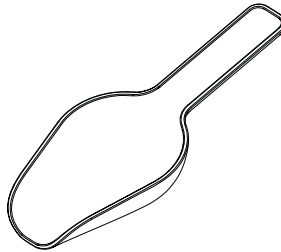
Réservoir latéral



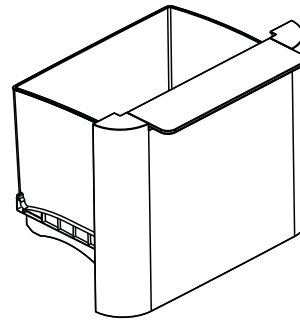
clip de réservoir latéral



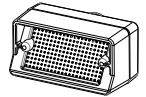
Support pour cuillère à
crème glacée



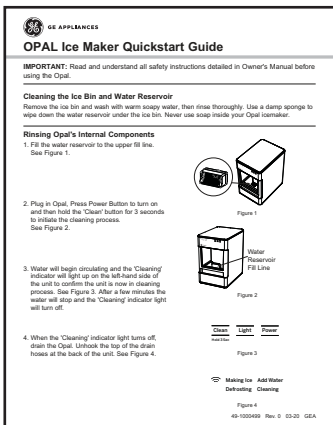
cuillère à glace



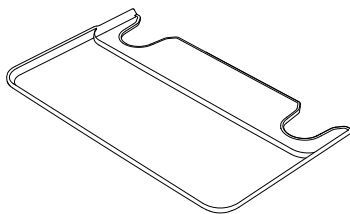
bac à glace



Tamis à mailles



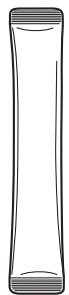
Guide de démarrage rapide



bac de récupération



Filtre à eau (x1)



Poudre de
détartrage (x1)

Comment Démarrer

Exigences d'installation

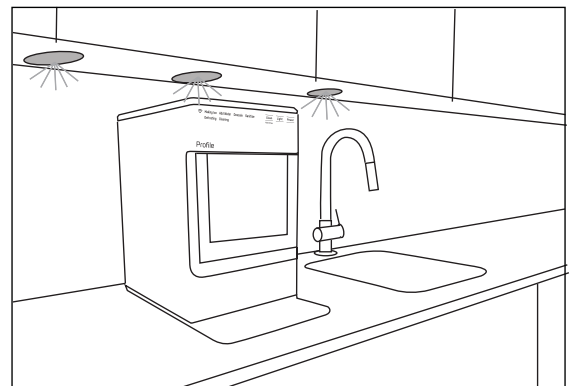
⚠ ATTENTION Risque lié à la manipulation d'un objet lourd : Nous recommandons que deux personnes déplacent et installent la machine à glaçons afin de prévenir les blessures.

- Le produit est conçu pour être installé à l'intérieur. N'utilisez pas la machine à glaçons à l'extérieur.
- Le produit doit être installé verticalement sur une surface plane et de niveau qui soit capable de supporter le poids total de l'appareil rempli d'eau.
- Pour obtenir une circulation d'air adéquate, prévoyez un dégagement minimal de quatre (4) pouces sur les deux côtés et un dégagement de quatre (4) pouces depuis la paroi arrière de la machine à glaçons.
- Installez le produit dans un endroit bien ventilé avec une température ambiante entre 55 °F et 90 °F (13 °C et 32 °C).
- Ne placez pas le produit près de sources de chaleur telles que fours ou tables de cuisson.
- Ne placez pas le produit à un endroit exposé aux rayons directs du soleil.

Préparation de l'Opal avant l'utilisation

1. Retirez le matériel d'emballage avec soin. N'utilisez pas d'outils coupants qui peuvent endommager le contenu de la boîte.
2. Assurez-vous de la présence de tous les composants. Si un article est absent, veuillez composer le 1.866.907.6718.
3. Placez la machine à glaçons verticalement sur surface plane et de niveau et branchez-la.
4. Installez le plateau d'égouttage en le glissant sous le bord frontal de l'Opal. Les fentes du plateau doivent s'aligner sur les pieds frontaux de l'Opal.
5. Rincez la machine à glaçons avec de l'eau claire durant 5 minutes avant la première utilisation.

⚠ AVIS Certains types de lampes sous armoire peuvent devenir suffisamment chauds pour endommager l'apparence du dessus de l'Opal.



Entretien Et Nettoyage

Détartrage et désinfection

Pour conserver le goût frais des glaçons et pour que la machine à glaçons fonctionne correctement, il est fortement recommandé de procéder à un détartrage /désinfection.

Le **détartrage** est recommandé pour retirer les dépôts minéraux durs, et il doit être effectué toutes les 4 semaines, selon la dureté de l'eau.

Il est recommandé d'effectuer 4 **désinfections** par semaine. Si vous utilisez de l'eau du robinet, le calendrier de nettoyage pourrait devoir être ajusté selon la dureté de l'eau.

Une eau plus dure exige un détartrage plus fréquent. Il est suggéré d'utiliser de l'eau distillée pour limiter l'accumulation de tartre.

Nettoyage du bac et du plateau

Pour nettoyer le bac à glaçons, retirez-le de la machine à glaçons et nettoyez avec un linge doux imbibé d'eau savonneuse. Rincez à fond. Séchez à l'aide d'un linge doux. N'utilisez pas de solvants ni de produits chimiques.

Le plateau d'égouttage doit être essuyé jusqu'à le sécher

Nettoyage de l'extérieur

To clean the exterior of the ice maker, unplug the product, then use a soft cloth dampened with soapy water to gently clean the exterior surfaces. Dry with a soft cloth. Do not use soap to clean the reservoir. Use a soft cloth moistened with water.

⚠ AVERTISSEMENT Risque d'exposition à des produits chimiques - Lors du nettoyage avec un javellisant, travaillez dans un endroit bien ventilé et évitez de mélanger le javellisant avec d'autres nettoyeurs domestiques.

⚠ AVERTISSEMENT Débranchez le produit avant de le nettoyer à la main, ou lorsqu'il n'est pas utilisé.

Comment vidanger la machine Opal

Avant la vidange:

- Retirez le réservoir latéral de sa base; le cas échéant
- Il y aura de l'eau résiduelle dans la base du réservoir. Videz la base du réservoir latéral de toute eau résiduelle.

Vidange de la machine Opal

- Débranchez les deux tubes de l'arrière de la machine / base du réservoir latéral et posez-les dans votre évier, une cuve, un seau ou un récipient qui peut contenir au moins 0,5 Gal/2 litres d'eau. (Figure 1 et 2).

- Laissez l'eau se drainer naturellement ou appuyez sur le bouton « Clean » (Nettoyer) pour pomper l'eau hors du système, dans le récipient à proximité..
- Une fois que l'eau cesse de s'écouler, rebranchez les tubes de vidange au bouchon de vidange (Figure 3), ou si vous disposez d'un réservoir latéral, rebranchez le tube non identifié au bouchon de vidange, et le tube B à la base du réservoir latéral (Figure 4).

Tirez à gauche pour décrocher

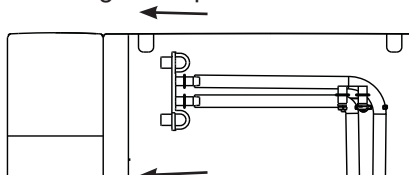


Figure 1

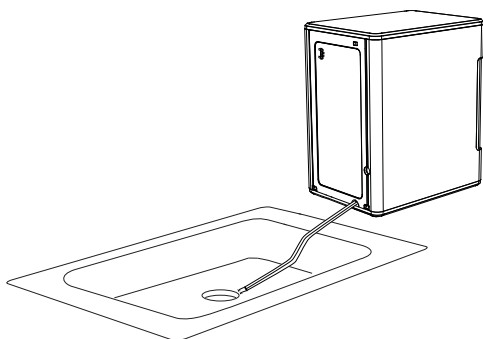


Figure 2

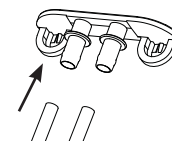


Figure 3

Tube B fixé au réservoir latéral

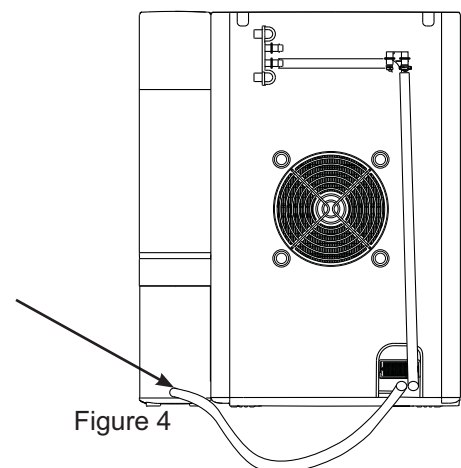


Figure 4

Entretien Et Nettoyage

Comment procéder au détartrage / désinfection

Avant de procéder au détartrage/désinfection:

Débranchez votre machine Opal

- Procédez à la vidange de votre machine Opal (consultez les instructions de vidange à la page 7)
- Débranchez le réservoir latéral; le cas échéant
- Une fois la vidange terminée, rebranchez les deux tubes au bouchon de tube en plastique gris (Figure 5)
- Désinstallez tous les filtres accessoires et remplacez le tamis à mailles fourni avec l'appareil. (Figure 6).

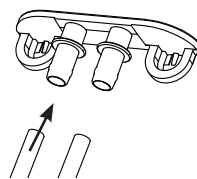


Figure 5

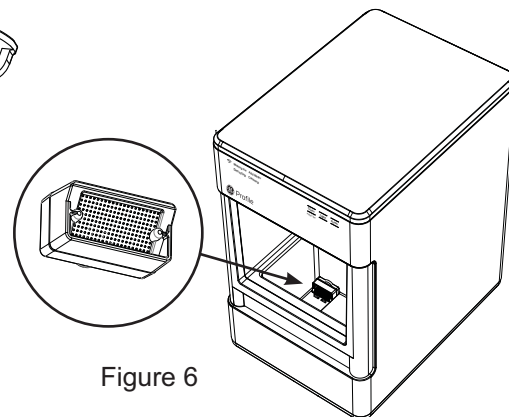


Figure 6

Démarrage du détartrage

Le détartrage aide à briser et à retirer les dépôts minéraux du système de fabrication de glaçons.

1. Pour des résultats optimaux, ajoutez 1 paquet d'agent de détartrage en poudre à base d'acide citrique Opal à un réservoir interne plein d'eau chaude.
2. Branchez votre machine Opal et maintenez le bouton « Clean » enfoncé pour lancer un cycle de détartrage de 55 min.
3. Une fois que le cycle de détartrage est terminé, rincez votre machine Opal (Consultez la section Rinçage de la machine Opal ci-dessous).

Démarrage de la désinfection

La désinfection aide à rafraîchir votre système Opal pour préserver l'hygiène et le bon goût de la glace.

1. Pour des résultats optimaux, ajoutez une cuillère à thé d'eau de javel à un réservoir interne plein d'eau.
2. Branchez votre machine Opal et appuyez sur le bouton « Clean » (Nettoyer) pour lancer un cycle de désinfection de 3 minutes.
3. Une fois le cycle de désinfection terminé, rincez votre machine Opal (Consultez la section Rinçage de la machine Opal ci-dessous)

Rinçage de la machine Opal

1. Procédez à la vidange de votre machine Opal (Consultez les instructions de vidange à la page 7). Rebranchez les tubes de vidange au bouchon de vidange.
2. Remplissez le réservoir interne d'eau fraîche.
3. Appuyez sur le bouton Clean pour lancer un cycle de rinçage de 3 minutes.
4. Une fois le cycle de rinçage terminé, débranchez les tubes, vidangez l'eau, rebranchez les tubes et procédez au remplissage avec de l'eau fraîche.
5. Répétez les étapes 5 et 6, 2 fois de plus; effectuez 3 rinçages au total
6. Une fois le rinçage terminé, rebranchez les tubes de vidange au bouchon de vidange (Figure 5), ou si vous avez un réservoir latéral, rebranchez le tube non identifié au bouchon de vidange et le tube B à la base du réservoir latéral (Figure 4).
7. La machine Opal est prête à fabriquer de la glace fraîche!

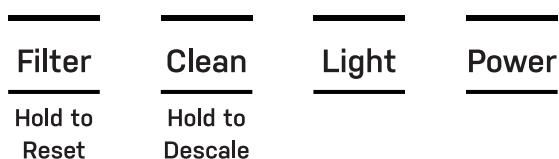


Figure 7

⚠ AVERTISSEMENT



Danger de brûlure

La température de l'eau sortant du Robinet dépend des réglages du chauffe-eau. Des températures supérieures à 125 °F (52 °C) peuvent causer des blessures graves. Les enfants, les personnes handicapées et les personnes âgées sont plus à risque de subir ces brûlures. Faites preuve de prudence lorsque vous procédez au détartrage d'eau chaude.

Filtre à air arrière

Filtre à air

Le filtre à air derrière l'appareil doit être vérifié et nettoyé au moins tous les 2 mois.

Retrait du filtre

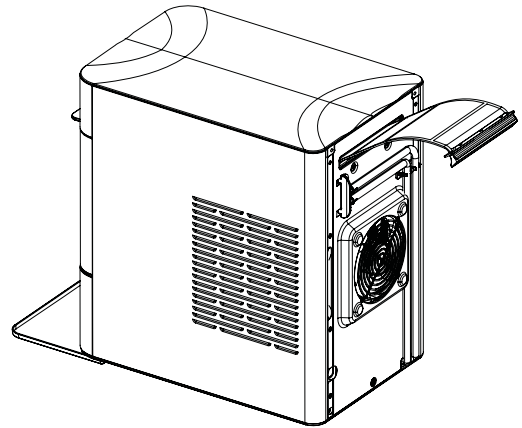
Pour retirer le filtre attaché au panneau arrière de l'appareil, tirez-le avec soin par sa poignée.

Nettoyage du filtre

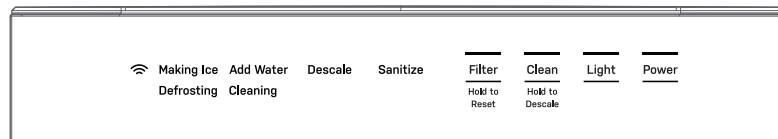
Nettoyez le filtre à l'eau chaude savonneuse, rincez-le et laissez sécher avant de le réinstaller.

REMARQUE: NE lavez PAS le filtre au lave-vaisselle automatique.

⚠ ATTENTION Ne faites pas fonctionner la machine à glaçons sans filtre parce que la saleté et les charpies peuvent boucher le condenseur et diminuer sa performance.



Comprendre l'affichage



Power

Le bouton d'alimentation, lorsqu'il est enfoncé, commencera le processus de fabrication de glace.

Light

La fonction d'éclairage a trois modes différents: ON / DIM / OFF. Basculez entre les trois modes en appuyant sur le bouton d'éclairage jusqu'à ce que vous atteigniez le mode d'éclairage souhaité.

Clean

Appuyez sur le bouton Clean (Nettoyer) pour lancer le cycle de nettoyage de désinfection ou de rinçage. Maintenez le bouton Clean enfoncé pour lancer le cycle de nettoyage de détartrage.

Filter

Le filtre vous aidera à faire le suivi de l'état de la durée de vie de votre filtre. Si le témoin du filtre émet des impulsions, cela signifie que votre filtre est expiré ou attend la configuration initiale. Maintenez le bouton du filtre enfoncé pour lancer le dispositif de suivi du filtre ou le réinitialiser. À tout moment, appuyez sur le bouton de filtre pour cacher ou afficher le témoin de statut du filtre.

Désinfection

Le voyant «Sanitize» (désinfection) s'allume après 25 heures de fabrication de glaçons. (consultez les instructions de désinfection à la page 7).

Détartrage

Le voyant «Descale» (détartrage) s'allume après 100 heures de fabrication de glaçons. (consultez les instructions de détartrage à la page 7).

Dégivrage

Si la machine à glaçons détecte du givre sur la vis sans fin et une faible production de glace, le voyant Defrosting (dégivrage) s'allume. L'appareil exécute alors un cycle de rinçage pour dégivrer la machine à glaçons puis redémarre pour fabriquer de la glace à nouveau.

Signaux lumineux

Les six voyants lumineux sur le côté gauche de l'unité affichent l'état actuel de l'opale. Si «Ajouter de l'eau» est en surbrillance, votre appareil a besoin de plus d'eau avant de pouvoir faire du vélo pour faire de la glace ou nettoyer.

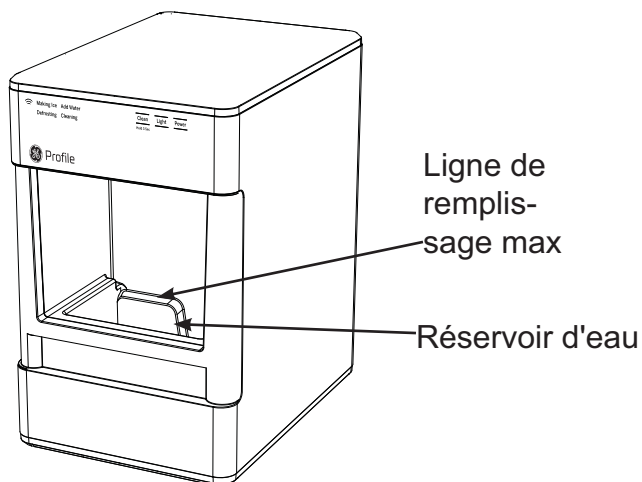
WiFi

En utilisant l'application mobile SmarthQ gratuite, les clients peuvent se connecter à leur Opal et la contrôler depuis leur Android ou iPhone. Le voyant lumineux sur le côté gauche confirmera une connexion réussie. Voir page 13 pour savoir comment connecter machine à glaçons Opal 2.0 à l'application WiFi.

Produire des glaçons avec l'Opal

Une fois que l'Opal a été nettoyée/désinfectée, placez-la à l'endroit désiré et suivez les étapes suivantes.

1. Retirez le bac à glaçons.
2. Remplissez le réservoir d'eau potable jusqu'à la ligne « Max Fill » (Remplissage maximum). La dureté de l'eau doit être inférieure à 12 grains par gallon. Ne remplissez pas le réservoir avec un liquide autre que de l'eau. L'utilisation d'un liquide autre que de l'eau potable constitue une mauvaise utilisation et annulera la garantie.
3. Branchez la machine à glaçons dans une prise mise à la terre.
4. Appuyez sur le bouton Power pour démarrer la machine à glaçons. Le voyant situé sur le côté gauche s'allume pour confirmer que l'appareil a commencé à produire des glaçons.
5. L'Opal commencera à produire des glaçons dans 10 à 30 minutes. Elle continuera à produire des glaçons jusqu'à ce que le bac soit plein, ou qu'elle manque d'eau. Pour continuer à produire des glaçons, ajoutez simplement de l'eau.



Vidange de l'Opal

Nous recommandons de vidanger l'Opal lorsque :

1. vous la rangez ou à chaque fois qu'elle est installée ailleurs;
2. vous l'éteignez durant plus de quelques jours (vacances, etc.);
3. vous n'utilisez pas beaucoup de glaçons. La recirculation continue d'eau de fonte peut changer le goût. Pour les meilleurs résultats, vidanger votre Opal.

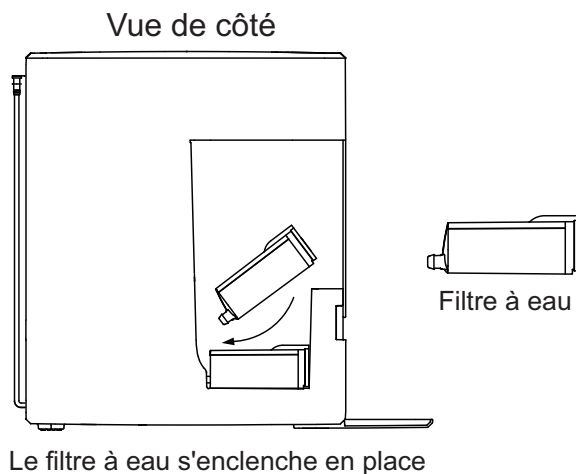
Filtre à eau

Le filtre à eau Opal est disponible chez GE Appliances et il est le seul filtre à eau compatible avec l'Opal. Veuillez suivre les instructions d'installation incluses avec votre filtre.

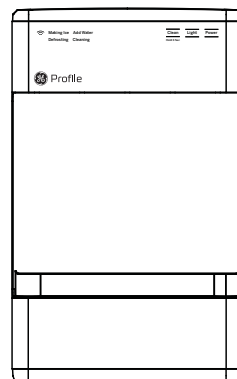
REMARQUE : Retirez votre filtre à eau (s'il est installé) et réinstallez le capuchon d'admission grillagé avant de nettoyer votre Opal.

INSTRUCTIONS D'INSTALLATION

1. Retirez le tamis à mailles qui a été installé dans votre Opal. Ce tamis est situé dans le coin inférieur gauche du réservoir d'eau Opal.
2. Assurez-vous de conserver ce tamis à mailles pour une utilisation lorsqu'aucun filtre à eau n'est installé.
3. Insérez votre filtre à eau Opal dans le trou où le tamis à mailles était installé. Assurez-vous que le bouchon du filtre est orienté à l'opposé de vous et que les poignées sont les plus proches de vous.
4. Il est préférable de placer le filtre à un angle vertical de 45 degrés pour une installation plus facile. Une fois que le bouchon du filtre est complètement inséré, poussez le filtre vers le bas jusqu'à ce que vous entendiez un clic.
5. Vous savez que le filtre est en place lorsque vous entendez le clic et sentez que le filtre est bien fixé dans la machine.



Vue de face



Réservoir Latéral

⚠ AVERTISSEMENT

Pour réduire le risque de décharge électrique ou de blessure lorsque vous utilisez votre Opal, veuillez suivre les consignes de sécurité élémentaires suivantes :

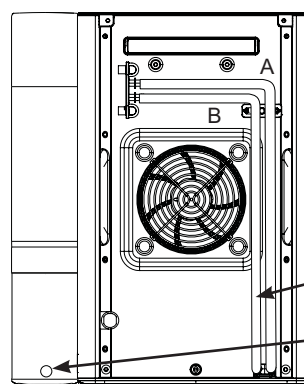
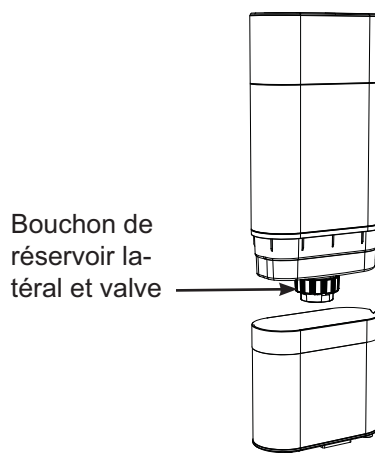
- Débranchez le produit avant de le nettoyer à la main ou lorsqu'il n'est pas utilisé.
- N'utilisez pas de l'eau impropre à la consommation ou de qualité douteuse sur le plan microbiologique.
- Usez de prudence lors du remplissage et de l'installation du réservoir latéral car il est lourd une fois rempli.
- N'utilisez pas le réservoir latéral avec du liquide autre que de l'eau.
- Ne laissez pas les enfants remplir ou installer le réservoir latéral car il est lourd une fois rempli.
- Le réservoir latéral doit être monté sur la machine à glaçons conformément aux instructions d'installation. L'installation du réservoir latéral d'une manière différente peut poser un risque de renversement.
- Assurez-vous que la machine à glaçons Opal est débranchée lors de la vidange ou de l'installation du réservoir latéral.

REMARQUE : Deux tuyaux de vidange sont situés sur l'arrière de la machine à glaçons Opal, identifiés par A et B sur l'illustration ci-dessous.

1. Laver à la main seulement : Lavez à la main et rincez le réservoir latéral avec de l'eau tiède et un savon à vaisselle doux. Rincez bien le bouchon, la valve de caoutchouc, le réservoir et la base afin d'évacuer tout résidu de savon (voir l'illustration).

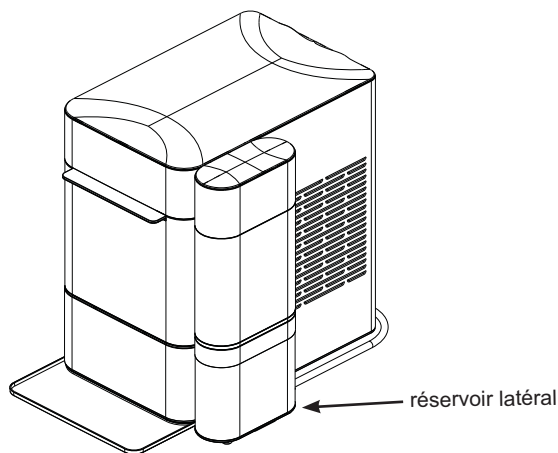
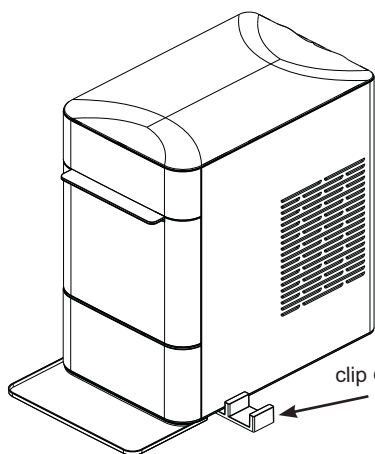
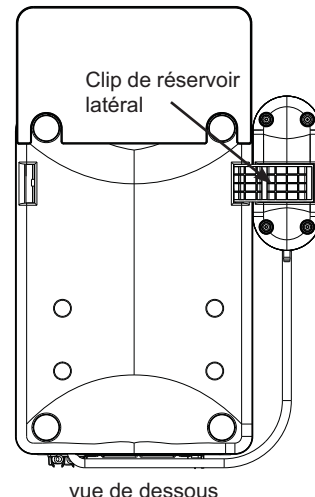
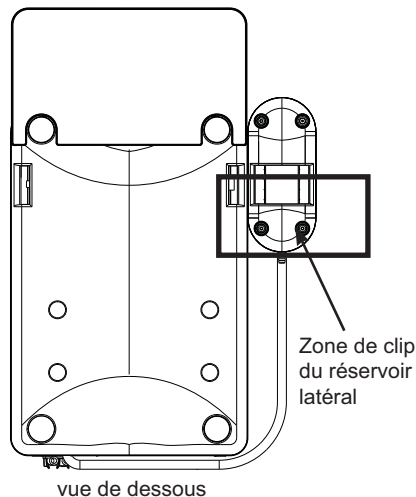
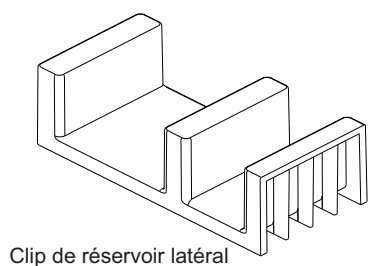
NE LAVEZ PAS LE RÉSERVOIR LATÉRAL AU LAVE-VAISSELLE.

2. Débranchez la machine à glaçons Opal. Débranchez les tuyaux de vidange et vidangez l'eau du réservoir.
3. Connectez le tuyau de vidange identifié B sur l'arrière de la base du réservoir latéral.
4. Assurez-vous que le tuyau de vidange (A) est connecté au support noir et installé sur l'arrière de l'Opal.
5. Assurez-vous que le tuyau de vidange (B) connecté au réservoir latéral repose à plat sur le comptoir.
6. Placez la base du réservoir latéral sur le côté droit ou gauche de la machine à glaçons Opal. À l'aide de l'attache du réservoir latéral, faites glisser le côté le plus court de l'attache sous l'appareil, près de l'avant de celui-ci. L'attache se glisse dans une fente au bas de l'appareil. Une fois cette attache en place, le réservoir latéral peut glisser sur l'attache opposée. Voyez les illustrations de la page suivante. Ne montez pas le réservoir latéral car le réservoir de la machine à glaçons peut déborder.



Réservoir Latéral

6. A continué.



7. Soulevez le réservoir latéral de la base, dévissez le capuchon et remplissez le réservoir latéral avec de l'eau. Remettez le bouchon en place une fois le réservoir latéral rempli.
8. Retournez avec précaution le réservoir latéral et placez-le sur sa base. L'eau devrait commencer à circuler dans la machine à glaçons et des bulles apparaîtront périodiquement pendant la circulation de l'eau.
9. Remplissez le réservoir (principal) de la machine à glaçons Opal.
10. Branchez la machine à glaçons et commencez à produire des glaçons.

Utilisation et entretien

Nettoyage du réservoir latéral

- Retirez et vidangez le réservoir latéral.
- S'il y a de l'eau résiduelle dans la base du réservoir latéral, retournez la base pour la vidanger.
- Retirez et lavez le capuchon et la valve du réservoir latéral avec du savon à vaisselle et de l'eau tiède au besoin. Assurez-vous que le capuchon est propre après son retrait et sa réinstallation à la main.

- Assurez-vous d'être à proximité d'un évier ou d'un seau avant de retirer les tuyaux de vidange car l'eau de l'Opal ou du réservoir latéral va se vidanger.

Installation et position appropriées

Le réservoir latéral doit être installé à égalité avec le devant de la machine à glaçons. Le réservoir latéral doit reposer sur la même surface de niveau que la machine à glaçons. N'élevez pas le réservoir latéral car l'Opal pourrait déborder.

Dépannage du réservoir latéral

Si l'eau ne circule pas du réservoir latéral vers la machine à glaçons :

Il peut y avoir des bulles dans le tuyau qui connecte le réservoir latéral à l'Opal, ou le tuyau ne repose pas à plat. Ajustez le tuyau

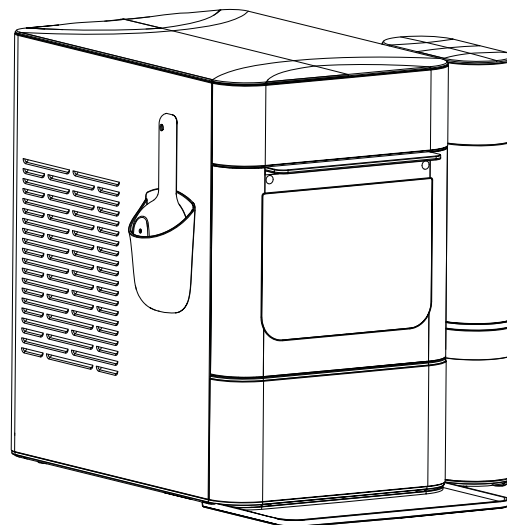
pour permettre à l'eau de circuler. Une fois que l'eau commence à circuler, il n'est généralement plus nécessaire d'ajuster le tuyau davantage.

Support pour cuillère à crème glacée accessoire

Support pour cuillère à crème glacée

Votre machine à glaçons comprend un support pour cuillère à crème glacée magnétique pouvant être placé à l'extérieur de l'appareil pour y insérer votre cuillère à crème glacée.

Nous recommandons de nettoyer régulièrement la cuillère et son support à l'eau chaude savonneuse.



Conseils de Dépannage

Sons de fonctionnement normaux

Votre nouvelle machine à glaçons peut produire des sons qui ne sont pas familiers. La plupart de ces sons sont normaux. Les surfaces dures telles que planchers, murs et comptoirs peuvent amplifier ces sons. La liste suivante décrit les sons qui peuvent vous surprendre et ce qui les produit.

- **RONRONNEMENT** - Lorsque l'Opal est allumée pour la première fois, vous pourriez entendre le ventilateur du condenseur tourner.
- **BOURDONNEMENT** - Lorsque la pompe à eau se met en marche la première fois, elle peut être sèche et légèrement bruyante. Une fois remplie d'eau, le bruit s'amenuisera.
- **CLIQETIS** - Des cliquetis peuvent être générés par la circulation du réfrigérant. Ces bruits devraient s'amenuiser considérablement une fois le système de réfrigérant stabilisé.
- **GARGOILLIS** - Un bref gargouillis peut se produire suite à l'absence de circulation du réfrigérant lorsque le système s'arrête.
- **VROMBISSEMENT** - Le compresseur est un moteur. Il produit un vrombissement de faible tonalité lorsqu'il fonctionne.
- **CLIC** - Les glaçons tombent dans le tiroir à glace à mesure qu'ils sont produits. Les premiers glaçons produits sont les plus bruyants car ils frappent le fond du bac à glaçons. À mesure que le bac se remplit, ce bruit s'amenuise considérablement.
- **GRINCEMENT** - Lorsque l'Opal doit être dégivrée, elle peut commencer à grincer à mesure que la glace s'accumule autour des mécanismes. Le cycle de dégivrage est automatique et peut prendre 30 à 45 minutes. Pendant ce temps, le bouton frontal ne répond pas.

Connexion WiFi – SmartHQ

Votre machine à glaçons OPAL 2.0 est compatible avec la connexion WiFi. Une carte de communication WiFi est intégrée au produit lui permettant de communiquer avec votre Smartphone pour la surveillance, le contrôle et les notifications à distance.

Veillez visiter geappliances.com/ge/connected-appliances/ pour en savoir plus sur les fonctionnalités des appareils connectés et pour savoir quelles applications d'appareils connectés fonctionneront avec votre téléphone intelligent.

Dispositions réglementaires concernant le module

Le module Wi-Fi/Bluetooth installé sur ce produit a reçu une approbation relative aux applications mobiles. Le module a été certifié par le organismes FCC/IC/Bluetooth SIG et satisfait la réglementation FCC/IC. L'identification du produit se présente comme suit :

- Nom du produit : Machine à glaçons Opal 2.0
- Identification FCC : ZKJ-WCATA008
- Identification IC : 10229A-WCATA008

Informations sur l'exposition aux radiofréquences

Cet appareil est conforme aux chapitres § 2.1091 et 2.1093 de la partie 47 du Code of Federal Regulations américain.

§ 2.1091 Évaluation de l'exposition aux radiofréquences : dispositifs mobiles.

(b) Aux fins de cette section, les définitions figurant au paragraphe 1.1307(b)(2) du présent chapitre s'appliquent. Un dispositif mobile est un dispositif émetteur conçu pour être utilisé ailleurs que dans des emplacements fixes et généralement de manière à maintenir une distance de séparation d'au moins 20 centimètres entre la ou les structures rayonnantes de la source des radiofréquences et le corps de l'utilisateur ou des personnes à proximité. Dans ce contexte, le terme « emplacement fixe » signifie que le dispositif est physiquement fixé à un emplacement et qu'il ne peut pas être facilement déplacé vers un autre emplacement lorsqu'il émet. Les dispositifs émetteurs conçus pour être utilisés par des consommateurs ou des travailleurs et qui peuvent être facilement déplacés, tels que les dispositifs sans fil associés à un ordinateur de bureau personnel, sont considérés comme des dispositifs mobiles s'ils répondent à l'exigence de séparation de 20 centimètres.

(d) (4) Dans certains cas, par exemple les émetteurs modulaires ou de bureau, les conditions potentielles d'utilisation d'un dispositif peuvent rendre difficile sa classification comme mobile ou portable (voir également § 2.1093). Dans de tels cas, les candidats ont la responsabilité de déterminer les distances minimales de conformité pour l'utilisation prévue et l'installation du dispositif en fonction de l'évaluation du débit d'absorption spécifique (DAS), de la force de champ ou de la densité de puissance, selon le cas le plus approprié.

§ 2.1093 Radiofrequency radiation exposure evaluation: portable devices.

(b) Aux fins de cette section, les définitions figurant au paragraphe 1.1307(b)(2) du présent chapitre s'appliquent. Un dispositif portable est un dispositif émetteur conçu pour être utilisé ailleurs que dans des emplacements fixes et généralement de manière que la ou les structures rayonnantes de la source des radiofréquences se trouvent à moins de 20 centimètres du corps de l'utilisateur.

Des directives supplémentaires concernant les équipements utilisés dans les environnements de population générale ou non contrôlée, ou professionnels ou contrôlés, sont fournies dans diverses publications de la base de connaissances 447498 et 616217.

447498 Procédures d'exposition aux radiofréquences et politiques d'autorisation relatives aux dispositifs mobiles et portables

616217 Considérations d'évaluation pour les ordinateurs portables, les ordinateurs bloc-notes, les miniportables et les tablettes

Informations sur la partie 15 de la FCC

(INFORMATIONS DE CONFORMITÉ)

Cet appareil est conforme à la partie 15 des règles de la FCC.

L'utilisation de cet équipement est assujettie aux deux conditions suivantes.

- 1) Cet appareil ne doit pas causer de brouillage préjudiciable, et
- 2) Cet appareil doit accepter tout brouillage qu'il reçoit, y compris celui pouvant entraîner un fonctionnement indésirable.
 - a. Ce module est limité à l'installation de matériel d'origine UNIQUEMENT.
 - b. Il incombe aux intégrateurs de matériel d'origine de s'assurer que l'utilisateur final n'a pas d'instructions manuelles pour retirer ou installer le module.
 - c. Ce module est limité à l'installation dans des applications mobiles ou fixes, conformément à la partie 2.1091(b).
 - d. Une approbation distincte est requise pour toutes les autres configurations de fonctionnement, y compris les configurations portables en regard de la partie 2.1093 et les différentes configurations d'antenne.
 - e. Le titulaire doit fournir au fabricant hôte des directives sur la conformité aux exigences de la sous-partie B de la partie 15.

Dispositions réglementaires concernant le module (suite)

Informations sur la partie 15 de la FCC (suite)

(INFORMATION TO USER)

REMARQUE : Cet équipement a été testé et déclaré conforme aux limites d'un dispositif numérique de Classe B, conformément à la partie 15 des règles de la FCC. Ces limites sont définies afin d'assurer une protection raisonnable contre le brouillage nuisible dans une installation résidentielle. Cet équipement génère, utilise et peut irradier des radiofréquences qui, en cas d'une installation erronée ou d'une utilisation non-conforme aux instructions, peuvent causer un brouillage nuisible aux communications radio. Cependant, il n'y a aucune garantie qu'un brouillage nuisible ne se produira pas dans une installation particulière. Si cet équipement cause un brouillage nuisible sur votre poste radio ou de télévision, ce que vous pouvez déterminer en éteignant et en rallumant votre équipement, il est conseillé à l'utilisateur d'essayer de pallier à ce brouillage nuisible en prenant l'une ou l'autre des mesures suivantes :

- Réorienter ou déplacer l'antenne de réception.
- Augmenter la distance entre l'équipement et le récepteur.
- Brancher l'équipement dans une prise d'un circuit qui diffère de celui auquel le récepteur est branché.
- Consulter le revendeur ou un technicien en radio-télévision pour obtenir de l'aide.

ATTENTION

Les modifications non explicitement approuvées par l'autorité responsable de la conformité peuvent annuler le droit de l'utilisateur de se servir de cet équipement.

Informations sur la partie 15 de la FCC

Cet appareil est conforme aux normes CNR exemptes de licence d'Industrie Canada. L'utilisation de cet équipement est assujettie aux deux conditions suivantes.

- (1) Cet appareil ne doit pas causer de brouillage; et
- (2) Cet appareil doit accepter tout brouillage, y compris celui pouvant entraîner un fonctionnement indésirable de l'appareil.

Cet équipement est conforme aux limites d'exposition aux rayonnements définies pour un environnement non contrôlé, aux directives de la FCC en matière d'exposition aux radiofréquences (RF) et à la norme CNR-102 en matière d'exposition aux radiofréquences des équipements de radiocommunication (toutes bandes de fréquences). Cet équipement irradie une énergie RF très faible, ce qui est considéré conforme sans évaluation du débit d'absorption spécifique (DAS).

Spécifications De La Machine À Glaçons

Description du produit	Machine à glaçons portable
Modelé	XPIO13SWBB, XPIO13SWOW, XPIO13SWSS, XPIO23SWBB, XPIO23SWOW, XPIO23SWSS, XPIO13SWSO
Tension/Fréquence	120V AC/60Hz
Intensité	3.0 A
Capacité de stockage de glace	3.0 lbs
Taux de production de glace	38 lb/jour 1,6 lb/h à 70 °F ambiant / 60 °F eau 32 lb/jour 1,33 lb/h à 90 °F ambiant / 70 °F eau selon DOE*
Dimensions (larg x prof x haut)	13.43 x 17.5 x 16.5
Dégagements pour l'installation (côtés et arrière)	4 in
Température de fonctionnement	55°F - 90°F
Poids (vide)	37.6 lbs

REMARQUE : Les données techniques et de rendement sont fournies à titre de référence seulement.

Les spécifications sont sujettes à modification. Vérifiez l'étiquette signalétique sur votre machine à glaçons pour les informations les plus précises.

*La quantité réelle de glace produite variera en fonction des conditions ambiantes.

Notes

Garantie limitée de la machine à glaçons GE Appliances

GEAppliances.com

Veillez garder les numéros de série et de modèle à portée de la main au moment d'effectuer un appel de service. Composez le 1.866.907.6718 pour des questions relatives au service.

Durant la période de	GE Appliances appliquera la garantie suivante
Un (1) an À partir de la date d'achat initial	Si la machine à glaçons présente une défaillance en raison de vices de matière ou de fabrication pendant la garantie limitée de un (1) an, GE Appliances procédera, à sa seule discrétion, au remplacement de votre produit par un neuf, à sa remise à neuf, ou encore au remboursement de son prix d'achat.

Ce que GE Appliances ne garantie pas:

- Les déplacements de service à votre domicile.
- Une installation, une livraison ou un entretien inadéquats.
- La défaillance du produit en raison d'un usage abusif, d'une mauvaise utilisation, ou s'il est utilisé à des fins commerciales ou autres que celles prévues.
- Le remplacement des fusibles du domicile ou le réarmement des disjoncteurs.
- Les dommages survenus après la livraison.
- Le remplacement des ampoules, si elles sont incluses.
- Tout dommage occasionné par un accident, un incendie, une inondation ou une autre catastrophe naturelle.
- Les dommages accessoires ou indirects causés par d'éventuelles déficiences de cet électroménager.
- Les bogues logiciels qui ne peuvent pas être corrigés par une mise à jour de l'application SmartHQ.
- Les frais de main-d'œuvre ou les autres frais encourus pour l'installation et/ou le retrait du produit.

EXCLUSION DES GARANTIES IMPLICITES

Votre seul recours exclusif consiste en l'échange du produit ou son remboursement en vertu de cette garantie limitée. Toute garantie implicite, y compris les garanties implicites relatives à la qualité marchande ou à l'adéquation à un usage particulier, se limitera à une période de un an ou à la période la plus courte prescrite par la loi.

Clients des États-Unis : Cette garantie limitée est étendue à l'acheteur d'origine pour les produits achetés relativement à une utilisation domestique à l'intérieur des États-Unis. En Alaska et à Hawaii, la garantie limitée n'inclut pas les coûts relatifs à l'expédition des appareils.

Certains États ou provinces ne permettent pas l'exclusion ou la restriction des dommages accessoires ou indirects. Certains droits particuliers vous sont dévolus en vertu de la présente garantie et peuvent s'accompagner d'autres droits qui varient selon votre lieu de résidence. Pour connaître la nature exacte de vos droits, consultez l'organisme de protection du consommateur de votre région, ou encore le bureau du procureur général de l'État.

Garant : GE Appliances, une compagnie Haier

Louisville, KY 40225

Pour les clients au Canada: Cette garantie limitée est étendue à l'acheteur original et à tout propriétaire suivant pour les produits achetés au Canada pour un usage domestique au Canada. Le service de mandat à domicile sera fourni dans les zones où il est disponible et jugé raisonnable par Mabe. Pour plus d'informations sur la garantie prolongée, visitez geappliances.ca/purchase-extended-warranty

Garant Canada: MC Commercial, Burlington, Ontario, L7L 6C7

Brochez votre reçu ici. Pour obtenir le service sous garantie, vous devez fournir la preuve de l'achat original.

Soutien Au Consommateur

Service et enregistrement

Enregistrez votre nouvel électroménager en ligne à votre convenance! L'enregistrement de votre produit dans les plus brefs délais permet une meilleure communication et un service rapide en vertu de votre garantie, le cas échéant.

Enregistrez votre électroménager sur **GEAppliances.com/register** ou visitez **myopalservice.com** pour soumettre une requête de service.

Communiquez avec nous

Si vous n'êtes pas satisfait du service reçu de GE Appliances, contactez-nous via notre site Web avec tous les détails, y compris votre numéro de téléphone, ou encore écrivez à :

Aux États-Unis : General Manager, Customer Relations | GE Appliances, Appliance Park | Louisville, KY 40225
GEAppliances.com/contact

Au Canada: Director, Customer Relations | MC Commercial Inc. | Suite 300, 5420 North Service Road | Burlington, ON L7L 6C7
GEAppliances.ca/en/contact-us



MÁQUINA DE HIELO ULTRA OPAL 2.0

- INFORMACIÓN SOBRE SEGURIDAD**3
- PARTES INCLUIDAS**.....4
- PUESTA EN MARCHA**.....5
- CUIDADO Y LIMPIEZA**6
- COMPRENSIÓN DE LA PANTALLA**8
- FABRICACIÓN DE HIELO**9
- FILTRO DE AGUA**.....9
- ACCESORIO DEL TANQUE LATERAL**10
- SOLUCIONAR PROBLEMAS**12
- ESPECIFICACIONES DEL PRODUCTO**.....15
- GARANTÍA LIMITADA**17
- SERVICIO AL CONSUMIDOR** ...18

MANUAL DEL PROPIETARIO

- XPIO13SWBB
- XPIO13SWOW
- XPIO13SWSS
- XPIO23SWBB
- XPIO23SWOW
- XPIO23SWSS
- XPIO13SWSO

ESPAÑOL

Escriba los números de modelo y de serie aquí:

Nº de Modelo _____

Nº de Serie _____

Estos números se encuentran en una etiqueta en la parte trasera de la unidad.



GRACIAS POR HACER QUE GE APPLIANCES SEA PARTE DE SU HOGAR.

Ya sea que haya crecido usando GE Appliances, o que ésta es su primera vez, nos complace tenerlo en la familia.

Sentimos orgullo por el nivel de arte, innovación y diseño de cada uno de los electrodomésticos de GE Appliances, y creemos que usted también. Entre otras cosas, el registro de su electrodoméstico asegura que podamos entregarle información importante del producto y detalles de la garantía cuando los necesite.

The Good Ice™

INFORMACIÓN IMPORTANTE DE SEGURIDAD

LEA TODAS LAS INSTRUCCIONES ANTES DE USAR

⚠️ ADVERTENCIA

A fin de reducir el riesgo de incendio, explosión, descarga eléctrica, o lesiones al usar su Opal, siga estas precauciones básicas de seguridad:

- Nunca, bajo ninguna circunstancia, altere o elimine la tercera clavija (tierra) del cable de corriente. Por seguridad personal, este producto deberá estar adecuadamente conectado a tierra.
- No supere la potencia del tomacorriente. Se recomienda conectar la máquina de hielo en su propio circuito. Use sólo un suministro eléctrico estándar de 115 V, 60 Hz., que se encuentre correctamente conectado a tierra de acuerdo con el Código Nacional de Electricidad y los códigos y ordenanzas locales.
- Debido a los posibles riesgos sobre la seguridad bajo ciertas condiciones, recomendamos enfáticamente evitar el uso de prolongadores. Sin embargo, si deberá usar un prolongador, es absolutamente necesario que sea un prolongador para electrodomésticos de 3 cables con conexión a tierra de la lista de UL, que cuente con un enchufe con conexión a tierra y que la potencia eléctrica del cable sea de 15 amperes (mínimo) y 120 volts.
- Este producto se deberá instalar y ubicar adecuadamente de acuerdo con las instrucciones de instalación antes de su uso. Este producto es para uso hogareño en interior únicamente. No lo use en áreas exteriores.
- No guarde ni use vapores inflamables o líquidos cerca de este producto.
- No permita que los niños se trepen, paren o cuelguen de la máquina de hielo. Podrían sufrir lesiones graves.
- No use la misma con agua que no sea segura a nivel microbiológico o de calidad desconocida.
- Coloque el cable de corriente de modo tal que los niños no puedan tirar del mismo u ocasionar riesgos de tropiezo.
- Coloque el cable de corriente de modo tal que no tenga contacto con superficies calientes.
- Evite el uso si un componente, incluyendo el cable o el enchufe, se encuentran dañados.
- Desenchufe el producto antes de realizar la limpieza manual o cuando no esté en uso.
- No sumerja ninguna parte del producto en agua.
- No enchufe ni desenchufe el producto con las manos húmedas.
- No intente desensamblar, reparar, modificar o reemplazar cualquier pieza del producto. Para acceder a información sobre la Garantía, consulte la página 13.
- No intente desensamblar, reparar, modificar o reemplazar cualquier pieza del producto.
- No use accesorios que no hayan sido recomendados por el fabricante.
- Al mover, instalar y utilizar el electrodoméstico, se deberá tener cuidado para evitar dañar la tubería del refrigerante.
- El servicio técnico deberá ser realizado por personal autorizado del servicio de fábrica, y los componentes podrán ser reemplazados por componentes de repuesto autorizados por el fabricante.
- Si el CABLE DE ALIMENTACION está dañado, deberá ser reemplazado por el fabricante, su agente de servicios o una persona con calificación similar a fin de evitar riesgos.
- Llene con agua potable únicamente.

⚠️ PRECAUCIÓN

A fin de reducir el riesgo de lesión al usar su Opal, siga estas precauciones básicas de seguridad:

- No retire ninguna advertencia de seguridad ni etiquetas del producto de la máquina de hielo.
- Riesgo al Levantar: se recomienda contar con dos personas para trasladar e instalar la máquina de hielo, a fin de evitar lesiones.

⚠️ ADVERTENCIA



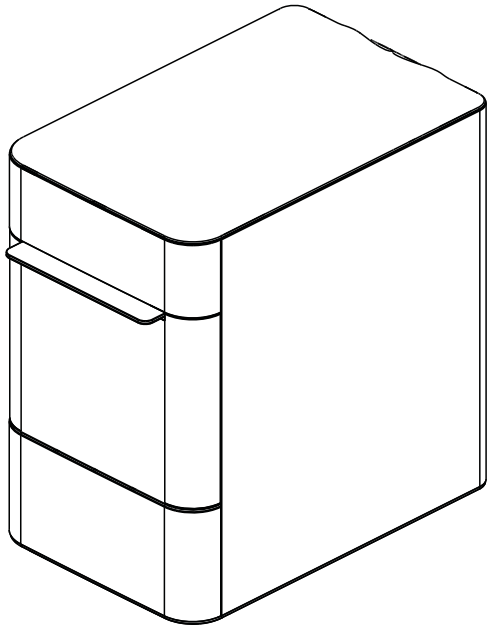
RIESGO DE INCENDIO O EXPLOSIÓN Refrigerantes Inflamables

Este electrodoméstico cuenta con refrigerante isobutano, también conocido como R600a, un gas natural con alto nivel de compatibilidad medioambiental. Sin embargo, también es combustible. Siga las advertencias que figuran a continuación, a fin de reducir el riesgo de lesiones o daños sobre la propiedad.

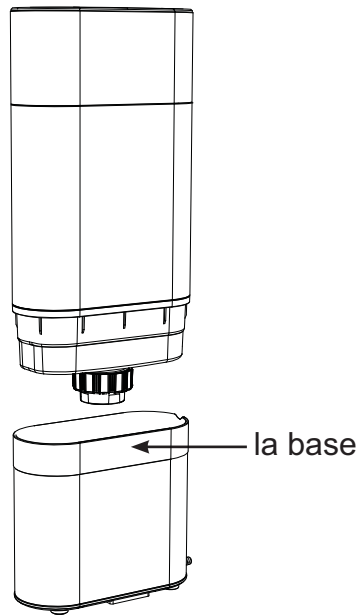
1. Al mover, instalar y operar el electrodoméstico, se deberá tener cuidado de no dañar la tubería del refrigerante.
2. El servicio técnico sólo debe ser realizado por personal autorizado del servicio. Use sólo piezas del servicio autorizadas por el fabricante
3. Descarte el electrodoméstico de acuerdo con las Regulaciones Federales y Locales. El refrigerante inflamable y el material aislante inflamable usados requieren procedimientos de descarte especiales. Comuníquese con las autoridades locales para descartar su refrigerador de forma ambientalmente segura.
4. Mantenga las aberturas de ventilación en el espacio de protección del electrodoméstico o en la estructura incorporada libres de obstrucción.
5. A fin de eliminar la escarcha, raspe con una espátula o raspador de plástico o madera. No use un instrumento con pico de hielo, metal, o con forma puntiaguda, ya que esto podrá perforar el revestimiento del freezer y luego la tubería refrigerante inflamable detrás de éste.
6. No use electrodomésticos dentro de los compartimentos de almacenamiento de comida del electrodoméstico, a menos que sean del tipo recomendado por el fabricante.
7. No use ningún dispositivo eléctrico para descongelar su refrigerador.
8. No use dispositivos mecánicos u otros medios para acelerar el proceso de descongelación que no sean aquellos recomendados por el fabricante.
9. No dañe el circuito del refrigerante. Esta advertencia sólo es aplicable para electrodomésticos con circuitos refrigerantes a los cuales el usuario tiene acceso.

LEA Y GUARDE ESTAS INSTRUCCIONES

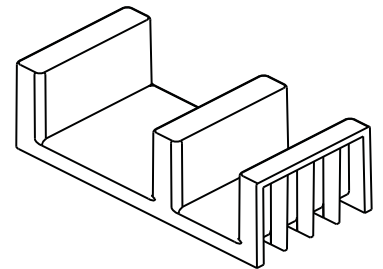
Partes Incluidas



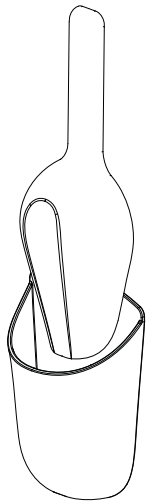
Máquina de hielo opal



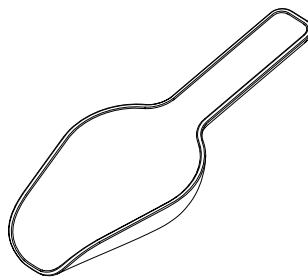
Tanque lateral



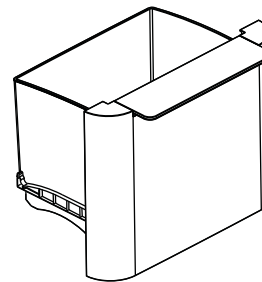
Clip de tanque lateral



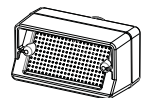
Porta Cucharas de Hielo



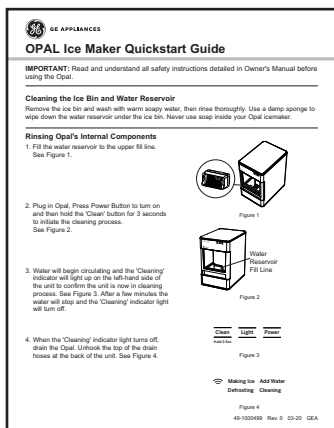
Cuchara de hielo



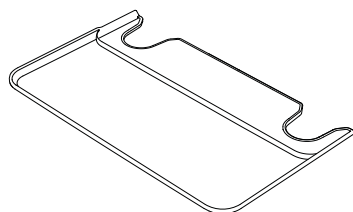
Cubo de hielo



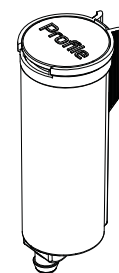
Malla



Guía de inicio rápido



Bandeja de goteo



Filtro de Agua (x1)



Polvo para Descalcificar (x1)

Puesta en marcha

Requisitos de instalación

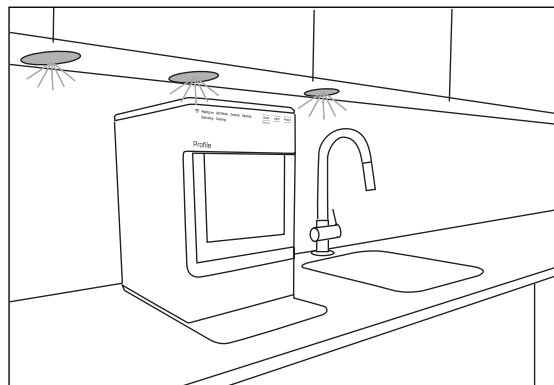
⚠ PRECAUCIÓN Riesgo al Levantar: se recomienda contar con dos personas para trasladar e instalar la máquina de hielo, a fin de evitar lesiones.

- Este producto fue diseñado para su instalación en interior. No use la máquina de hielo en áreas exteriores.
- Este producto deberá ser instalado sobre una superficie plana y nivelada, capaz de soportar el peso total cuando esté lleno de agua.
- Asegure un espacio libre mínimo de cuatro pulgadas (4") sobre ambos lados y un espacio libre de cuatro pulgadas (4") desde la pared trasera de la máquina de hielo, para contar con una circulación de aire adecuada.
- Instale el producto en un área bien ventilada con una temperatura ambiente de entre 55° y 90°.
- No coloque el producto cerca de fuentes de calor tales como hornos o superficies de cocción.
- No coloque el producto en contacto directo con la luz del sol.

Preparación de la Opal para su uso

1. Retire el material de embalaje con cuidado. No use herramientas puntiagudas que puedan dañar los contenidos de la caja.
2. Asegúrese de que todos los componentes estén presentes. En caso de faltar un ítem, por favor comuníquese a 1.866.907.6718.
3. Coloque la máquina de hielo en posición parada sobre una superficie plana y nivelada y enchufe la misma.
4. Instale la bandeja de goteo deslizando la misma debajo del extremo frontal de la Opal. Las ranuras de la bandeja se deberán alinear con el pie frontal de la Opal.
5. Enjuague la máquina de hielo con agua limpia durante cinco minutos antes de su primer uso.

⚠ AVISO Algunos tipos de lámparas debajo del gabinete podrán generar un nivel de calor que ocasione daños sobre el aspecto de la parte superior de la Opal.



Cuidado y limpieza

Descalcificación y Desinfección

Para mantener fresco el sabor de las pepitas de hielo y la máquina de hielo funcionando de forma correcta, se recomienda enfáticamente realizar los ciclos de descalcificación/desinfección.

La Descalcificación se recomienda para eliminar depósitos de minerales duros y se deberá realizar cada 4 semanas, dependiendo de la dureza del agua.

La desinfección se recomienda 4 veces por semana. Si se usará agua del grifo, es posible que sea necesario ajustar la frecuencia de la limpieza en base a la dureza del agua.

El agua dura podrá requerir una descalcificación más frecuente. Se recomienda usar agua destilada para limitar la acumulación de sarro.

Limpieza de la papelera y la bandeja

Para limpiar el depósito de hielo, retire el depósito de hielo de la fábrica de hielo y límpielo con un paño suave humedecido con agua jabonosa. Enjuague bien. Secar con un paño suave. No use solventes o productos químicos.

La bandeja de goteo debe limpiarse en seco. El agua que

Cómo Limpiar el Exterior

Para limpiar el exterior de la máquina de hielo, desenchufe el producto, y luego use una tela suave y húmeda con agua y jabón para limpiar de forma suave las superficies exteriores. Seque con una tela seca. No use jabón para limpiar el depósito. Use una tela suave humedecida con agua.

⚠ ADVERTENCIA Riesgo de Exposición a Químicos: al limpiar con blanqueador, use el mismo en un área bien ventilada y evite la mezcla con otros limpiadores hogareños.

⚠ ADVERTENCIA Desenchufe el producto antes de realizar la limpieza manual o cuando no esté en uso.

Cómo Drenar la Opal

Antes de Realizar el Drenaje:

- Retire el Tanque Lateral de la base, de estar conectado.
- La base del tanque lateral tendrá agua residual presente. Vacíe cualquier residuo de agua de la base del tanque lateral.

Drenaje de la Opal

- Desconecte ambas tuberías de la parte trasera de la máquina/ base del tanque lateral y cubra las mismas en un lavabo, recipiente, cubo, o receptáculo que pueda contener por lo menos 0.5 galones / 2 litros de agua. (Figura 1 y 2)

queda en esta área puede dejar depósitos. Para limpiar la bandeja de goteo, retire la bandeja de Opal y use un paño suave humedecido con agua jabonosa suave para limpiar suavemente la superficie. Secar con un paño suave. No use solventes o productos químicos.

- Deje que el agua se drene naturalmente o presione el botón "Clean" (Limpiar) para bombear el agua desde el sistema hasta el receptáculo más cercano.
- Una vez que el agua deje de circular, vuelva a conectar las tuberías de drenaje al tapón del drenaje (Figura 3), o si cuenta con un tanque lateral, vuelva a conectar la tubería sin etiqueta al tapón del drenaje, y la Tubería B a la base del Tanque Lateral (Figura 4).

Empuje hacia la izquierda para desenganchar

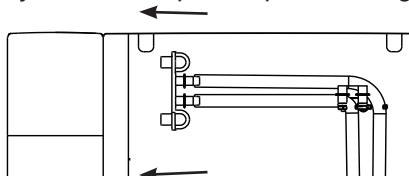


Figura 1

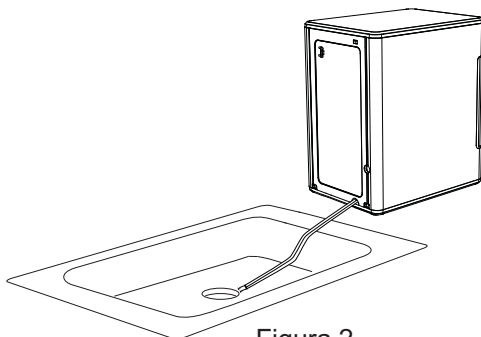


Figura 2

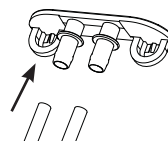


Figura 3

Tube B fixé au réservoir latéral

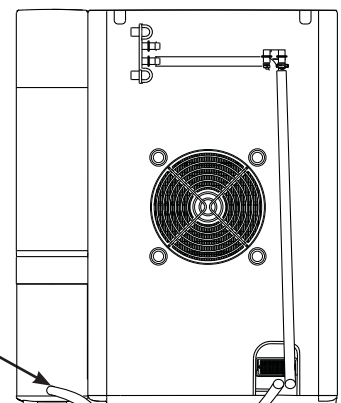


Figura 4

Cuidado y limpieza

Cómo Descalcificar / Desinfectar

Antes de Descalcificar / Desinfectar:

- Desenchufe la Opal.
- Drene la Opal (Consulte la instrucciones de drenaje en la página 7).
- Desconecte el tanque lateral, de estar presente.
- Una vez completado el drenaje, vuelva a conectar ambas tuberías al tapón de la tubería de plástico gris (Figura 5).
- Desinstale todos los filtros accesorios y vuelva a colocar la malla incluida con la unidad. (Figura 6)

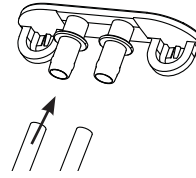


Figura 5

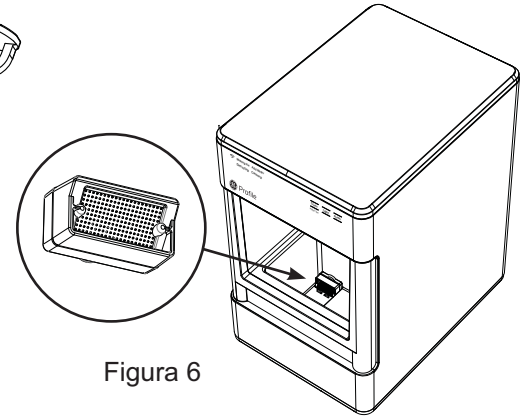


Figura 6

Inicio de la Descalcificación

La descalcificación ayuda a descomponer y eliminar depósitos minerales del sistema de hielo.

1. Para obtener mejores resultados, agregue 1 paquete de Descalcificador en Polvo de Ácido Cítrico para Opal en un depósito interior completo de agua caliente.
2. Enchufe la Opal y mantenga presionado el botón "Clean" (Limpiar) para iniciar un ciclo de descalcificación de 55 minutos.
3. Una vez completado del ciclo de descalcificación, enjuague la Opal (Consulte la sección de Enjuague de la Opal a continuación).

Inicio de la Desinfección

La desinfección ayuda a refrescar el sistema de la Opal para mantener la higiene del hielo y un gran sabor.

1. Para obtener mejores resultados, agregue una cucharadita de blanqueador en un depósito interior de agua completo.
2. Enchufe la Opal y presione el botón "Clean" (Limpiar) para iniciar un ciclo de desinfección de 3 minutos.
3. Una vez completado del ciclo de desinfección, enjuague la Opal (Consulte la sección de Enjuague de la Opal a continuación).

Enjuague de la Opal

1. Drene la Opal (Consulte las instrucciones de drenaje en la página 7). Vuelva a conectar las tuberías del drenaje al tapón del drenaje.
2. Llene del depósito interior con agua fresca.
3. Presione el botón "Clean" (Limpiar) para iniciar un ciclo de enjuague de 3 minutos.
4. Una vez completado el ciclo de enjuague, desconecte las tuberías, el agua del drenaje, vuelva a conectar las tuberías, y vuelva a realizar el llenado con agua fresca.
5. Repita los pasos 5 y 6, 2 veces más – complete 3 enjuagues completos.
6. Una vez completado el enjuague, vuelva a conectar las tuberías de drenaje al tapón de drenaje (Figura 5), o si cuenta con un tanque lateral, vuelva a conectar la tubería sin etiqueta al tapón del drenaje, y la Tubería B a la base del Tanque Lateral (Figura 4).
7. ¡La Opal está lista para fabricar Hielo Fresco!

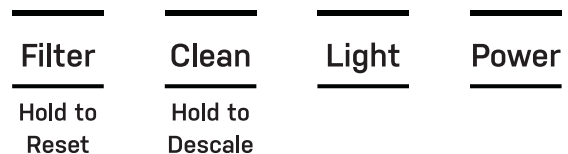


Figura 7

⚠️ ADVERTENCIA



Riesgo de Escaldadura

La temperatura del agua que viene del grifo depende de las configuraciones del calentador de agua. La temperatura del agua superior a 125° F (52° F) puede causar quemaduras graves por escaldadura. Los niños, discapacitados, y personas mayores presentan el mayor riesgo de sufrir escaldaduras. Tenga cuidado al descalcificar con agua caliente.

Filtro de Aire Trasero

Filtro de Aire

El filtro de aire que se encuentra detrás de la unidad se deberá controlar y limpiar por lo menos cada 2 meses.

Para Retirarlo

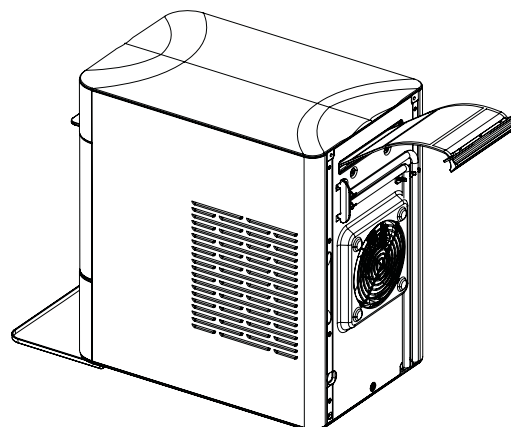
Para retirar el filtro adherido al panel trasero de la unidad, empuje el mismo hacia afuera de forma suave y sosteniendo la manija del filtro.

Para Limpiarlo

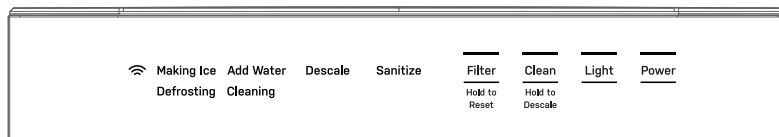
Limpie el filtro con agua caliente y jabón, enjuague y deje secar el filtro antes de volver a colocarlo.

NOTA: NO coloque el filtro en un lavavajillas automático.

⚠ PRECAUCIÓN No utilice la máquina de hielo sin un filtro, ya que la suciedad y las pelusas podrán atascar el condensador y reducir su funcionamiento.



Comprensión de la pantalla



Encendido

Cuando se presione el botón Power (Encendido), se iniciará el proceso de producción de hielo.

Luz

La función Light (Luz) cuenta con tres modos diferentes: ON/ DIM/OFF (Encendido/ Atenuado/ Apagado). Alterne entre los tres modos presionando el botón de la luz hasta que alcance el modo de iluminación deseado.

Limpieza

Presione el botón Clean (Limpiar) para iniciar los ciclos de limpieza Sanitizing (Desinfección) o Rinse (Enjuague). Mantenga presionado el botón Clean (Limpiar) para iniciar un ciclo de limpieza Descale (Descalcificación).

Filtro

El filtro le ayudará a hacer un seguimiento de la vida útil del mismo. Si la luz del filtro está parpadeando, significa que su vida útil caducó o que espera una configuración inicial. Mantenga presionado el botón del filtro para iniciar o reiniciar el rastreador del filtro. Presione el botón del filtro en cualquier momento para esconder o mostrar la luz de estado del filtro.

Desinfección

La luz de Sanitize (Desinfectar) se enciende luego de 25 horas de producción de hielo. (consulte las instrucciones de Desinfección en la Página 7).

Descalcificación

La luz de Descale (Descalcificar) se enciende luego de 100 horas de producción de hielo. (consulte las instrucciones de Descalcificación en la Página 7).

Descongelación

Si la máquina de hielo detectó que el taladro está congelado y que la producción de hielo es baja, entonces el indicador Defrosting (Descongelación) se iluminará. La unidad realizará un ciclo de enjuague a fin de descongelar la máquina de hielo y luego comenzará a producir hielo nuevamente.

Luces del indicador

El (El indicador) seis indicador sobre el lado izquierdo de la unidad muestra el estado actual de la Opal. Si se resalta "Add Water" (Agregar Agua), la unidad necesitará más agua antes de poder realizar el ciclo de producción de hielo o de limpieza.

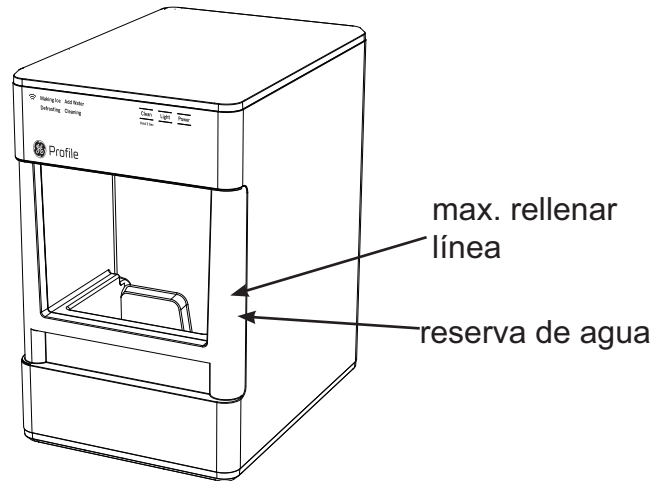
WiFi

Utilizando la aplicación móvil complementaria de la SmartHQ, los clientes se podrán conectar a su Opal y controlar la misma desde su dispositivo Android o iPhone. La luz indicadora sobre el lado izquierdo confirmará que la conexión fue exitosa. Vea la página 13 para saber cómo conecte Opal 2.0 Ice Maker a la aplicación WiFi.

Fabricación de hielo con la Opal

Una vez finalizada la limpieza de la Opal, traslade la máquina de hielo hasta su ubicación deseada y complete los siguientes pasos:

1. Retire el recipiente para hielo.
2. Llene el depósito con agua corriente hasta la línea de "Llenado Máximo". La dureza del agua deberá ser inferior a 12 granos por galón. No llene el depósito con ningún otro líquido que no sea agua. El uso de cualquier líquido que no sea agua potable se considerará como uso incorrecto y anulará su garantía.
3. Enchufe la máquina de hielo en un tomacorriente conectado a tierra.
4. Presione el botón Power (Encendido) para iniciar la máquina de hielo. El indicador sobre el lado izquierdo iluminará "Making Ice" (Produciendo Hielo) para confirmar que la unidad comenzó a producir hielo.
5. La Opal comenzará a producir hielo en aproximadamente entre 10 y 30 minutos. Ésta continuará fabricando hielo hasta que el recipiente esté lleno o se quede sin agua. Para continuar fabricando hielo, sólo agregue más agua.



Drenaje de la Opal

Le recomendamos drenar la Opal cuando:

1. La guarde, o en cualquier momento es que sea reubicada.
2. La mantendrá apagada por más que unos pocos días. (Por ejemplo: vacaciones)
3. No esté usando mucho hielo. La recirculación continua de agua derretida podrá afectar el gusto. Para obtener mejores resultados, drene la Opal.

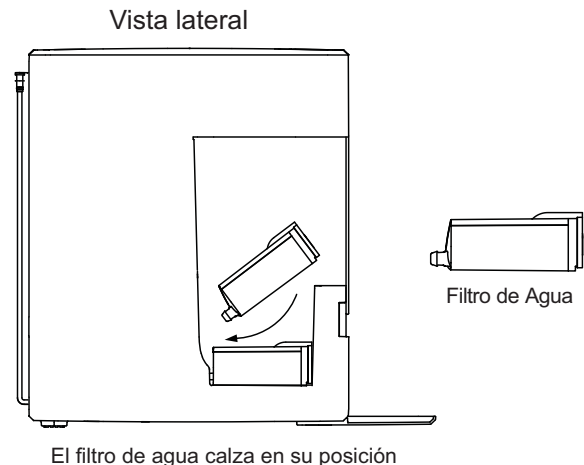
Filtro de Agua

El Filtro de Agua de la Opal, disponible en GE Appliances, es el único filtro de agua compatible con la Opal. Por favor, siga las instrucciones de instalación incluidas con su filtro.

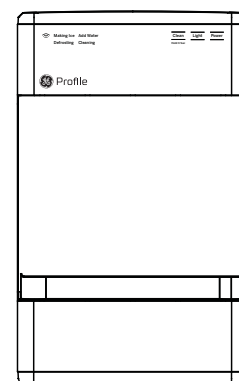
NOTA: Retire su filtro de agua (si se encuentra instalado) y vuelva a instalar la tapa de entrada con malla antes de limpiar la Opal.

INSTRUCCIONES DE INSTALACIÓN

1. Retire la pantalla con malla que se encuentra instalada en la Opal. Esta pantalla está ubicada en la esquina inferior izquierda del depósito de agua de la Opal.
2. Asegúrese de guardar esta pantalla con malla para su uso cuando no se instale un filtro de agua.
3. Inserte el filtro de agua de la Opal en el orificio donde la pantalla con malla estaba instalado. Asegúrese de que el tapón del filtro mire hacia usted y que el espacio para apoyar los dedos sea el más cercano en relación a usted.
4. Es mejor posicionar el filtro en un ángulo vertical de 45 grados para facilitar la instalación. Una vez que el tapón del filtro esté completamente insertado, presione el mismo hacia abajo hasta que escuche un sonido de clic.
5. Usted sabrá que el filtro está en su posición cuando escuche el sonido de clic y el filtro se sienta seguro en la máquina.



Vista frontal



Accesorio Del Tanque Lateral

⚠ ADVERTENCIA

A fin de reducir el riesgo de descargas eléctricas o lesiones al usar la Opal, siga estas precauciones básicas de seguridad:

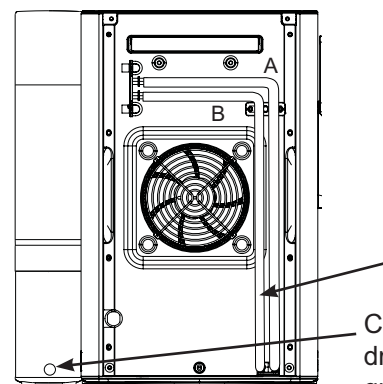
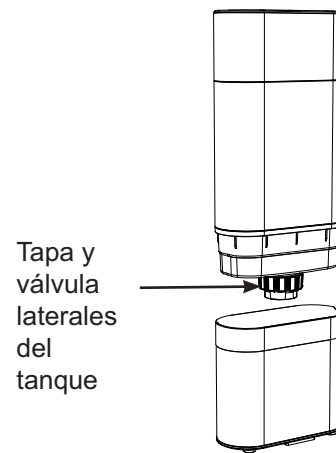
- Desenchufe el producto antes de realizar la limpieza manual o cuando no esté en uso.
- No use la misma con agua que no sea segura a nivel microbiológico o de calidad desconocida.
- Tenga cuidado al llenar e instalar el Tanque Lateral de la Opal, ya que la unidad llena podrá ser pesada.
- No use este tanque lateral con otros líquidos que no sean agua.
- Los niños no deberán llenar ni instalar el Tanque Lateral de la Opal, ya que la unidad llena podrá ser pesada.
- El tanque lateral se deberá ensamblar a la máquina de hielo de acuerdo con las instrucciones de instalación. La instalación del tanque lateral de un modo diferente podrá producir riesgos de volcaduras.
- Asegúrese de que la Máquina de Pepitas de Hielo Opal esté desenchufada al drenar el depósito e instalar el Tanque Lateral de la Opal.

NOTA: Hay dos tuberías de desagüe ubicadas en la parte trasera de su Máquina de Pepitas de Hielo Opal, indicadas como tuberías de desagüe A y B en la ilustración que se encuentra en la página 12.

1. Lavado Manual Únicamente: Enjuague y lave manualmente el Tanque Lateral de la Opal con agua caliente y un detergente para platos suave. Enjuague bien la tapa, la válvula de goma, el tanque y la base, a fin de eliminar cualquier residuo de jabón (consulte la ilustración)

NO LAVE EL TANQUE LATERAL DEL LAVAVAJILLAS.

2. Desenchufe la Máquina de Pepitas de Hielo. Desenganche las tuberías de desagüe de la Opal y drene el agua de la reserva.
3. Conecte la tubería de desagüe, con la etiqueta B, a la parte trasera de la base del Tanque Lateral de la Opal.
4. Asegúrese de que la tubería de desagüe (A) esté conectada al gancho negro e instalada en la parte trasera de la Opal.
5. Asegúrese de que la tubería de desagüe (B) que se conecta al Tanque Lateral esté colocada de forma plana sobre la mesada.
6. Coloque el Tanque Lateral de la Opal sobre el lado derecho o izquierdo de la Máquina de Pepitas de Hielo Opal. Usando el gancho del tanque lateral, deslice el lado más corto del gancho debajo de la unidad, cerca del frente de la unidad. El gancho se deslizará por la ranura sobre la parte inferior de la unidad. Una vez colocado, el tanque lateral se podrá deslizar sobre el gancho opuesto. Vea las Figuras en la siguiente página. No eleve el tanque lateral, ya que el depósito de la máquina de hielo se podrá desbordar.

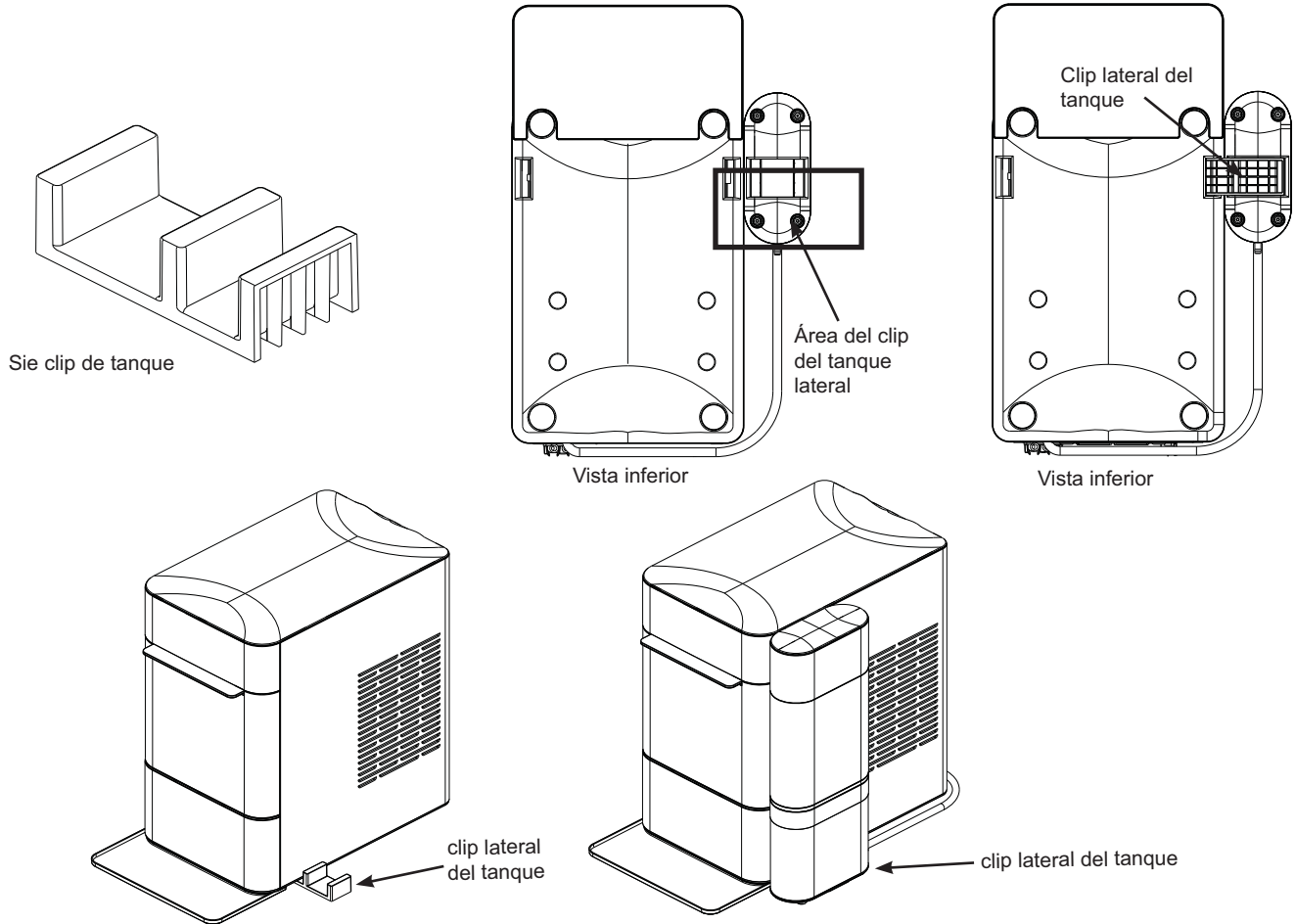


Desenchufe este tubo de drenaje (B) de la percha negra y conecte este tubo al tanque lateral

Conecte el tubo de drenaje B en el tanque lateral aquí.

Accesorio Del Tanque Lateral

6. Continuado.



- Levante el depósito del tanque lateral de la base, desenrosque la tapa y llene el tanque lateral con agua. Vuelva a colocar la tapa una vez que el depósito del tanque lateral esté lleno.
- Con cuidado, dé vuelta el depósito del Tanque Lateral de la Opal y coloque el mismo en la base. El agua deberá comenzar a circular por la Máquina de Pepitas de Hielo de la Opal y aparecerán burbujas en el Tanque Lateral de la Opal de forma periódica durante el tiempo en el cual el agua esté circulando hacia la máquina de hielo.
- Llene el depósito de la Máquina de Pepitas de Hielo Opal.
- Enchufe la Máquina de Pepitas de Hielo Opal, y comience a producir hielo.

Uso y Cuidado

Limpieza del Tanque Lateral

- Retire y drene el Tanque Lateral.
- Si quedan residuos de agua en la unidad de la base del Tanque Lateral de la Opal, dé vuelta la base del Tanque Lateral de la Opal a fin de drenar el mismo.
- Retire y lave la tapa del Tanque Lateral de la Opal y la válvula con detergente para platos y agua caliente, según sea necesario. Asegúrese de que la tapa esté limpia luego de retirar y volver a colocar la misma de forma manual.

- Sólo retire la tuberías de desagüe cuando se encuentren cerca de un lavabo o balde, ya que retirar la tuberías de desagüe de la Opal o del Tanque Lateral de la Opal producirá el desagüe de cualquiera de estas unidades.

Instalación y Ubicación Correctas

El tanque lateral deberá ser instalado de forma nivelada con el frente de la Máquina de Pepitas de Hielo Opal. Es necesario apoyar el Tanque Lateral de la Opal en una superficie del mismo nivel que su Máquina de Pepitas de Hielo Opal. No eleve el Tanque Lateral de la Opal, ya que éste se podrá desbordar.

Soluciones de Problemas del Tanque Lateral

Si no fluye agua desde el Tanque Lateral hasta la Máquina de Hielo Opal:

Es posible que haya burbujas en la tubería conectada al tanque lateral de la opal o que no esté colocada de forma plana. Intente

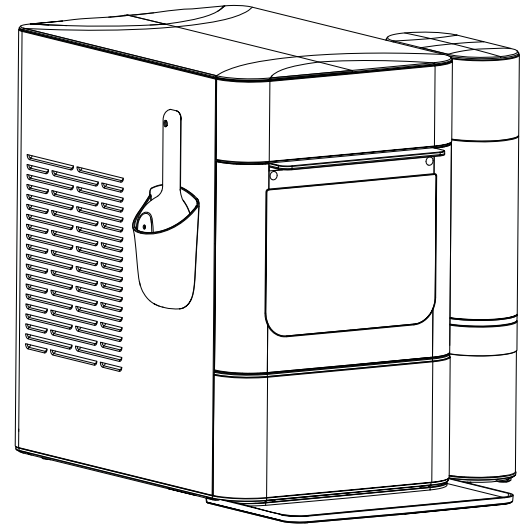
ajustar la tubería para permitir que el agua circule. Una vez que el agua comience a circular, normalmente no hará falta ningún otro ajuste.

Accesorio del Porta Cucharas

Porta Cucharas

Su Opal incluye un porta cucharas imantado, el cual se puede colocar en la parte exterior de la unidad para sostener la cuchara.

Le recomendamos limpiar la cuchara y el porta cucharas de forma regular con agua caliente y jabón.



Solucionar Problemas

Sonidos Normales

Es posible que su nueva máquina de hielo produzca sonidos que no sean conocidos. La mayoría de estos sonidos son normales. Las superficies duras como el piso, las paredes y las mesadas pueden amplificar estos sonidos. A continuación se describen los sonidos que pueden ser nuevos para usted y aquello que pueda estar creando dichos sonidos.

- **RUNRUNEO** – Al encender la Opal por primera vez, es posible que observe que el ventilador del condensador está girando.
- **PITIDO** – Cuando la bomba de agua es encendida por primera vez, es posible que esté seca o levemente ruidosa. Una vez llena de agua, el sonido se reducirá de forma significativa.
- **REPIQUETEADO** – Es posible que los sonidos de repiqueteo sean producidos desde el flujo del refrigerante. Estos sonidos deberían reducirse de forma significativa una vez que el sistema de refrigeración se encuentre estabilizado.
- **GORGOTEADO** – Cuando el sistema de refrigeración se apague, es posible que haya un gorgoteo breve cuando el refrigerante deje de circular.
- **ZUMBIDO** – El compresor es un motor. Produce un zumbido en un tono bajo mientras se encuentra en funcionamiento.
- **CLIC** – A medida que las pepitas de hielo son producidas, las mismas caen en el cajón de hielo. Las primeras pepitas producidas son las que mayor ruido hacen, ya que impactan contra el fondo del recipiente de hielo. A medida que el recipiente se llena, el ruido se reduce significativamente.
- **CHILLIDO** – Cuando sea necesario descongelar la Opal, podrá comenzar a realizar chillidos a medida que el hielo comience a acumularse en torno a los mecanismos. El ciclo de descongelación es automático, y podrá tomar entre 30 y 45 minutos. Durante este tiempo, el botón frontal no responderá.

Configuración WiFi – SmartHQ

Su máquina de hielo OPAL 2.0 está habilitada para conexión WiFi. El producto incorpora una tarjeta de comunicación WiFi que le permite comunicarse con su teléfono inteligente para monitoreo, control y notificaciones remotas.

Visite geappliances.com/ge/connected-appliances/ para obtener más información sobre las funciones de los dispositivos conectados y para saber qué aplicaciones de dispositivos conectados funcionarán con su teléfono inteligente.

INSTRUCCIÓN DEL MÓDULO DE REGULACIÓN

El módulo Wi-Fi/Bluetooth instalado en este producto posee aprobación modular para aplicaciones móviles. El módulo ha sido certificado por la FCC/IC/Bluetooth SIG, y cumple con las regulaciones de la FCC/IC. La descripción del producto es la siguiente.

- Nombre del Producto: Máquina de Hielo Opal 2.0
- Cuenta con ID. de la FCC: ZKJ-WCATA008
- Cuenta con IC: 10229A-WCATA008

Información de Exposición a RF

Este dispositivo cumple con 47 CFR § 2.1091 y 2.1093.

Evaluación de exposición a Radiofrecuencia § 2.1091: dispositivos móviles.

(b) Con propósitos relacionados con esta sección, las definiciones en § 1.1307(b)(2) de este capítulo serán aplicadas. Un dispositivo móvil se define como un dispositivo de transmisión diseñado para su uso en ubicaciones no fijas y para un uso general de modo tal que se mantenga normalmente una distancia de separación de por lo menos 20 centímetros entre la estructura(s) de radiación de la fuente de RF y el cuerpo del usuario o personas que se encuentren cerca. En este contexto, el término "ubicación fija" significa que el dispositivo está físicamente asegurado en una ubicación y no se puede mover con facilidad a otra ubicación mientras se realiza la transmisión. Los dispositivos de transmisión diseñados para el uso por parte de los consumidores o trabajadores que se pueden reubicar de forma fácil, tales como dispositivos inalámbricos asociados con una computadora personal de escritorio, se consideran dispositivos móviles si cumplen con el requisito de separación de 20 centímetros.

(d) (4) En algunos casos, como por ejemplo, con los transmisores modulares o de escritorio, las posibles condiciones de uso de un dispositivo podrán no permitir una clasificación fácil de dicho dispositivo ya sea como móvil o portátil (vea también § 2.1093). En esos casos, los solicitantes son responsables de determinar las distancias mínimas para el cumplimiento del uso previsto y por la instalación del dispositivo en base a la evaluación ya sea del índice de absorción específico (SAR, según sus siglas en inglés), la fuerza de campo o la densidad de energía, cualquiera sea más apropiado.

Evaluación de exposición a Radiofrecuencia § 2,1093: dispositivos portátiles.

(b) Con propósitos relacionados con esta sección, las definiciones en § 1.1307(b)(2) de este capítulo serán aplicadas. Un dispositivo portátil se define como un dispositivo de transmisión diseñado para el uso en ubicaciones no fijas y generalmente un uso de modo tal que la estructura(s) de radiación de la fuente de RF esté/estén dentro de los 20 centímetros del cuerpo del usuario.

Más orientación para equipos usados en ambientes con poblaciones generales/ no controlados u ocupacionales/ controlados es brindada en diversas publicaciones de KDB 447498 y 616217.

447498 Procedimientos de exposición a RF y políticas de autorización de equipamiento para dispositivos móviles o portátiles.

616217 Consideraciones de evaluación de SAR para computadoras laptop, notebook, netbook y tablet.

Información sobre la Parte 15 de la FCC

(INFORMACIÓN DE CUMPLIMIENTO)

Este dispositivo cumple con la Parte 15 de la Normativa de la FCC.

Su funcionamiento está sujeto a las dos condiciones siguientes.

- (1) Este dispositivo no podrá causar interferencias perjudiciales, y
- (2) Este dispositivo deberá aceptar cualquier interferencia recibida, incluidas las interferencias que puedan provocar un funcionamiento no deseado.
 - a. El módulo se limita a la instalación de OEM ÚNICAMENTE.
 - b. Los integradores OEM son responsables de asegurar que el usuario final cuente con instrucciones no manuales para retirar o instalar el módulo.
 - c. El módulo se limita a la instalación en aplicaciones móviles o fijas, de acuerdo a la Parte 2.1091(b).
 - d. La aprobación separada es requerida para todas las demás configuraciones de funcionamiento, incluyendo configuraciones portátiles con respecto a la Parte 2.1093 y diferentes configuraciones de antena.
 - e. El cesionario le brindará orientación al fabricante del host (anfitrión) para el cumplimiento de los requisitos de la Parte 15 subparte B.

INSTRUCCIÓN DEL MÓDULO DE REGULACIÓN (Cont.)

Información sobre la Parte 15 de la FCC (cont.)

(INFORMACIÓN PARA EL USUARIO)

NOTA: Este equipo ha sido probado y cumple con los límites establecidos para un dispositivo digital de Clase B, según la parte 15 de la Normativa de la FCC. Estos límites han sido diseñados para ofrecer una protección razonable contra interferencias perjudiciales en la instalación residencial. Este equipo genera, usa y puede emitir energía de radiofrecuencia y, si no se instala y utiliza de acuerdo con las instrucciones, puede ocasionar interferencias perjudiciales para las comunicaciones de radio. Sin embargo, no se garantiza que no se presenten interferencias en una instalación en particular. Si este equipo provoca interferencias perjudiciales para la recepción de radio o televisión, lo que puede comprobar encendiendo y apagando el equipo, se aconseja al usuario intentar corregir la interferencia a través de una de las siguientes medidas:

- Reoriente o reubique la antena receptora.
- Aumente la separación entre el equipo y el receptor.
- Conecte el equipo a un tomacorriente de un circuito diferente del tomacorriente al que se encuentra conectado el receptor.
- En caso de necesitar ayuda, consulte al proveedor o a un técnico experimentado de radio o TV.

⚠ PRECAUCIÓN

Cualquier cambio o modificaciones no aprobadas expresamente por la parte responsable del cumplimiento podrán anular la autoridad del usuario para utilizar el equipo.

Información sobre la Parte 15 de la FCC

Este dispositivo cumple con la exención de licencia RSSs de la Industria de Canadá. Su funcionamiento está sujeto a las dos condiciones siguientes:

- (1) Este dispositivo no podrá causar interferencias perjudiciales, y
- (2) Este dispositivo deberá aceptar cualquier interferencia recibida, incluidas las interferencias que puedan provocar un funcionamiento no deseado del dispositivo.

Este equipo cumple con los límites de exposición a la radiación establecidos para un ambiente no controlado y sigue las pautas de exposición a la Radio Frecuencia (RF) y el Cumplimiento de Exposición a Radio Frecuencia (RF) RSS-102 para Aparatos de Radiocomunicación (Todas las Bandas de Frecuencia). Este equipo irradia energía muy baja de RF, la cual se considera que cumple con la evaluación del índice de absorción específico (SAR)..

Especificaciones del Producto

Descripción del producto	Máquina de pepitas de hielo portátil
Modelo	XPIO13SWBB, XPIO13SWOW, XPIO13SWSS, XPIO23SWBB, XPIO23SWOW, XPIO23SWSS. XPIO13SWSO
Voltaje/Frecuencia	120V AC/60Hz
Corriente	3.0 A
Capacidad de almacenamiento de hielo	3.0 lbs
Promedio de fabricación de hielo	38 lbs./día 1.6, lbs./hr. a 70F ambiente / 60F el Agua. 32 lbs./día, 1.33 lbs./hr. a 90F ambiente / 70F el Agua de acuerdo con el DOE (Departamento de Energía).*
Dimensiones (ancho x grosor x alto)	13.43 x 17.5 x 16.5
Espacios libres para la instalación (costados y parte trasera)	4 in
Ambiente de funcionamiento	55°F - 90°F
Peso (cuando está vacía)	37.6 lbs

NOTA: Datos técnicos e información de rendimiento provista como referencia únicamente.

Las especificaciones están sujetas a cambios. A fin de contar con la información más precisa, consulte la etiqueta de clasificación de su máquina de hielo.

***La cantidad real de hielo producida variará de acuerdo con las condiciones ambientales.**

Garantía Limitada de la máquina de pepitas de hielo Opal

GEAppliances.com

Tenga a mano su número de serie y su número de modelo cuando solicite servicio técnico. Llame al 1.866.907.6718 para preguntas de servicio.

Por el período de:	GE Appliances Reemplazará:
Un Año A partir de la fecha de la compra original	Cualquier parte del acondicionador de aire que falle debido a defectos en los materiales o en la fabricación. Durante esta garantía limitada de un año , GE Appliances también proporcionará, sin costo alguno, toda la mano de obra y el servicio relacionado—para reemplazar partes defectuosas.

Qué No Cubrirá GE Appliances:

- Viajes del servicio técnico hasta su ubicación.
- Instalación, entrega o mantenimiento inadecuados.
- Fallas del producto en caso de abuso, mal uso, o uso para propósitos diferentes al original o uso comercial.
- Reemplazo de fusibles de la casa o reinicio de disyuntores.
- Daño causado después de la entrega.
- Reemplazo de las bombillas de luz, si están incluidas.
- Daños ocasionados sobre el producto por accidente, incendio, inundaciones o catástrofes naturales.
- Daños incidentales o consecuentes causados por posibles defectos sobre este producto.
- Errores de software que pueden ser corregidos con una actualización a través de la Aplicación de SmartHQ.
- Trabajo y otros costos para instalar y/o retirar el producto.

EXCLUSIÓN DE GARANTÍAS IMPLÍCITAS—Su único y exclusivo derecho es la reparación del producto, tal y como se indica en esta Garantía limitada. Cualquier garantía implícita, incluyendo las garantías implícitas de comerciabilidad o adecuación para un fin determinado, están limitadas a dos años o el período de tiempo más breve permitido por la ley.

Para clientes de EE. UU .: esta garantía limitada se extiende al comprador original de los productos comprados para uso doméstico dentro de los EE. UU. En Alaska y Hawái, la garantía limitada no incluye los costos de envío de unidades.

Algunos estados no permiten la exclusión o las limitaciones de daños incidentales o consecuenciales. Esta garantía limitada da derechos legales específicos, y usted podría tener otros derechos que variarán de estado a estado. Para saber cuáles son sus derechos legales, consulte a la oficina de asuntos del consumidor local o la oficina del Attorney General en su localidad.

**Garante: GE Appliances, a Haier company
Louisville, KY 40225**

Grape aquí su recibo. Se requiere facilitar prueba de la fecha de compra original para obtener un servicio bajo la garantía.

Soporte al Cliente

Registre su Electrodoméstico

¡Registre su electrodoméstico nuevo a través de Internet, según su conveniencia! Un registro puntual de su producto permitirá una mejor comunicación y un servicio más puntual de acuerdo con los términos de su garantía, en caso de surgir la necesidad. También puede enviar una carta en la tarjeta de inscripción preimpresa que se incluye con el material embalado.

En EE.UU.: **GEAppliances.com/register o visite myopalservice.com para enviar una solicitud de servicio**

Contáctenos

Si no se encuentra satisfecho con el servicio que recibió de GE Appliances, comuníquese con nosotros a través de nuestro sitio Web con todos los detalles, incluyendo su número telefónico, o escriba a:

En EE.UU.: General Manager, Customer Relations | GE Appliances, Appliance Park | Louisville, KY 40225

GEAppliances.com/contact

En Canada: Director, Customer Relations | MC Commercial Inc. | Suite 300, 5420 North Service Road | Burlington, ON L7L 6C7

GEAppliances.ca/en/contact-us