

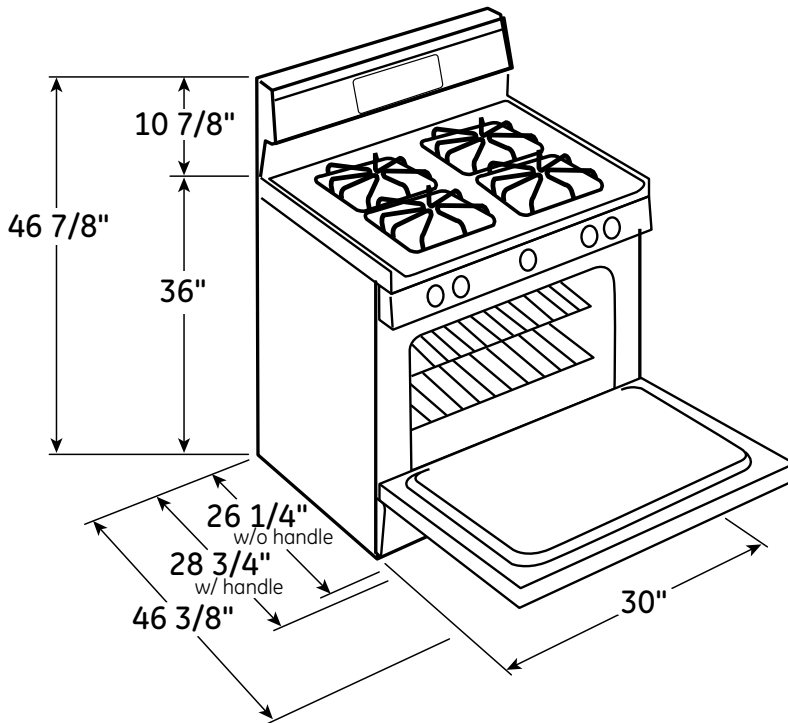
RGB525DEH

Hotpoint® 30" Free-Standing Gas Range

Dimensions and Installation Information (in inches)

Electrical Rating: 120V, 60Hz, 15A

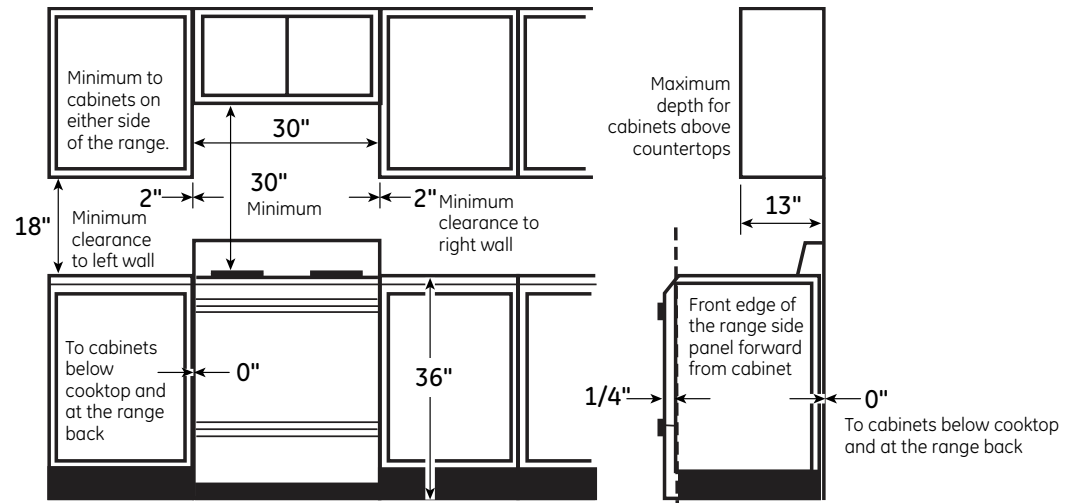
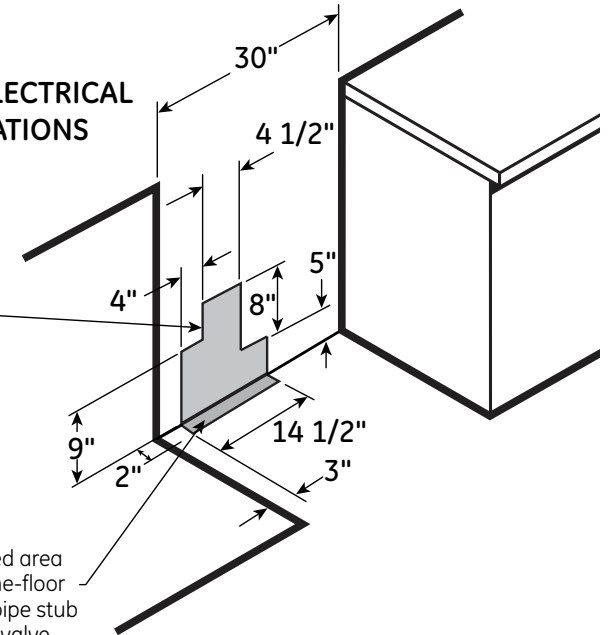
Installation Information: Before installing, consult installation instructions packed with product for current dimensional data.



GAS PIPE AND ELECTRICAL OUTLET LOCATIONS

Recommended area for 120V outlet on rear wall and area for through-the-wall connection of pipe stub and shut-off valve.

Recommended area for through-the-floor connection of pipe stub and shut-off valve.



imagination at work

For answers to your Monogram® or GE® appliance questions, visit our website at geappliances.com or call GE Answer Center® service, 800.626.2000.



All GE ranges are equipped with an Anti-Tip device. The installation of this device is an important, required step in the installation of the range.

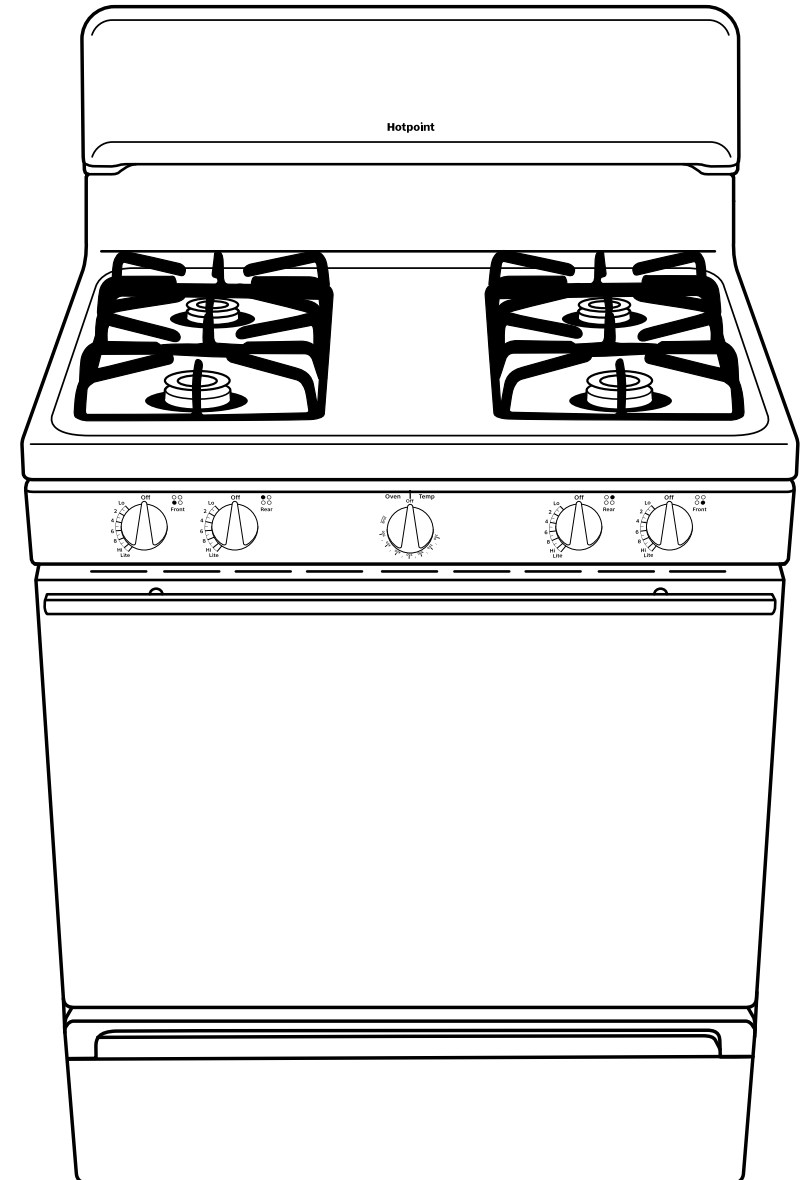
Specification Revised 12/14

RGB525DEH

Hotpoint® 30" Free-Standing Gas Range

Features and Benefits

- Standard Clean Oven - Smooth surface and rounded corners make clean-up quick and easy
- 4.8 cu. ft. Oven Capacity - Enough room to cook an entire meal at once
- All purpose burners - Deliver a wide range of heat output ideal for most cooking needs
- Electronic ignition - Ensures a continuous flame and reignites automatically if accidentally extinguished
- Porcelain upswept cooktop - Raised edges contain spills, while the surface is easy to wipe clean
- Lift-up cooktop - Access messes under the cooktop for easy cleanability
- Easy clean subtop - Porcelain enameled subtop collects spills and messes for easy cleaning
- Standard Grates - Hold cookware securely over burners
- Two Oven Racks - Durable to securely hold any cookware
- Model RGB525DEHBB - Black on black
- Model RGB525DEHWW - White on white



imagination at work