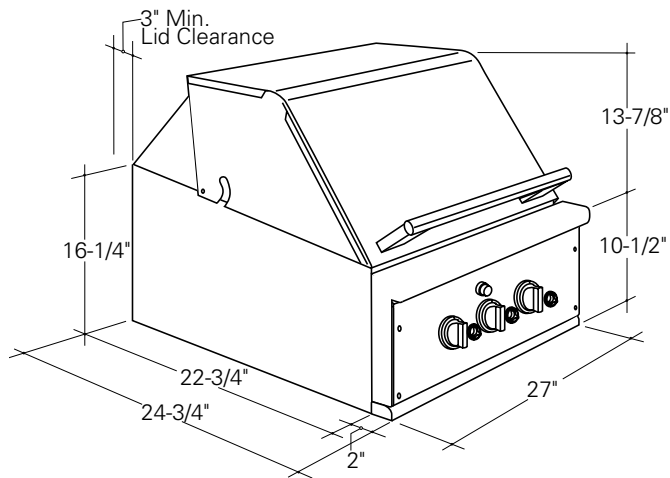




Monogram®

ZGG27L21CSS – GE Monogram 27" Outdoor Cooking Center

Dimensions and Specifications (in inches)



27" Liquid Propane Gas Model: 2 Grill Burners, 1 Infrared Burner

- Monogram Outdoor Cooking Centers are designed to be installed on a grill cart or into an enclosure.
- **These cooking centers are designed for outdoor use only.** Do not locate the grill in a building, garage or other enclosed area.
- Ensure that fresh air ventilation is adequate.
- Consider exposure to wind and proximity to traffic paths.
- The minimum clearances to combustibles must be maintained at all times.
- Do not install a grill below overhead unprotected combustible construction.
- The installation must conform to local codes or in the absence of local codes, with the national fuel gas code, ANSI Z223 latest edition.

Note: Reference pub. no. 49-8843-1, Monogram Outdoor Cooking Center Installation Instructions, for complete details.
Reference pub.no. 49-8840-1, Monogram Outdoor Cooking Center Cart Installation Instructions, for complete details.

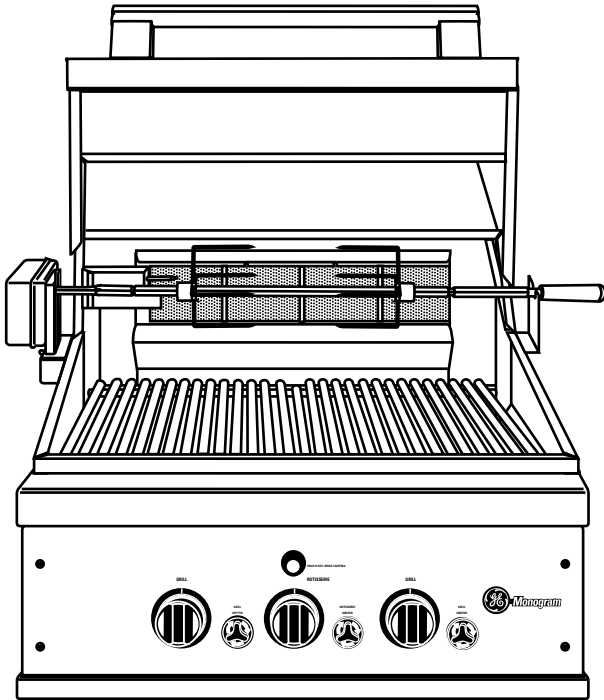


For answers to your Monogram® GE Profile™ or GE® appliance questions, visit our website at GEAppliances.com or call GE Answer Center® service, 800.626.2000.



Monogram®

ZGG27L21CSS – GE Monogram 27" Outdoor Cooking Center



Features and Benefits

- Liquid Propane Gas Model
- 2 (20,000 BTU) Cast-Iron Gas Grill Burners
- 14,000 BTU Infrared Rotisserie System
- Warming Rack
- Rotary Multi-Spark Piezo Ignition
- Brass Control Valves
- Steel, Porcelain-Enameled Grill Grates
- Stainless Steel, Slide-Out Drip Tray
- Heavy Duty 304 Stainless Steel Construction
- Flexible Installation
- LP Tank Included
- Model ZGG27N21CSS – Natural gas
- Model ZGG27L21CSS – Liquid propane gas