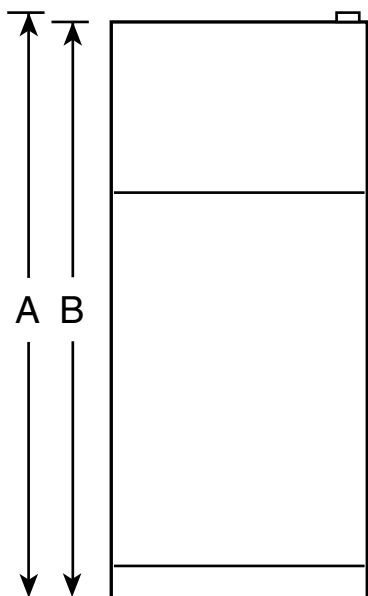


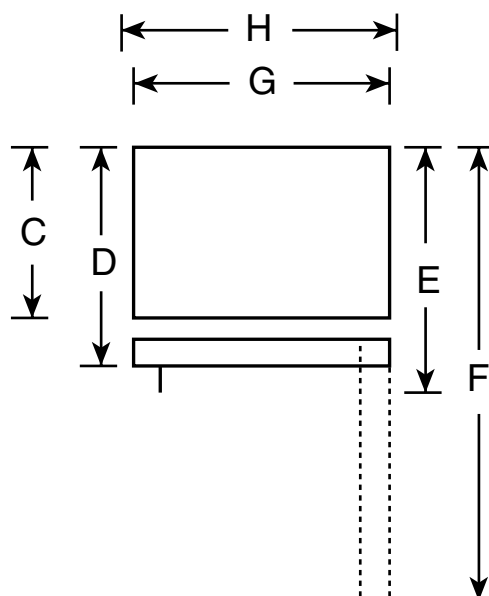
HOTPOINT

HTS18GBM - Hotpoint 17.9 Cu. Ft. Top-Freezer Refrigerator

Front View



Top View



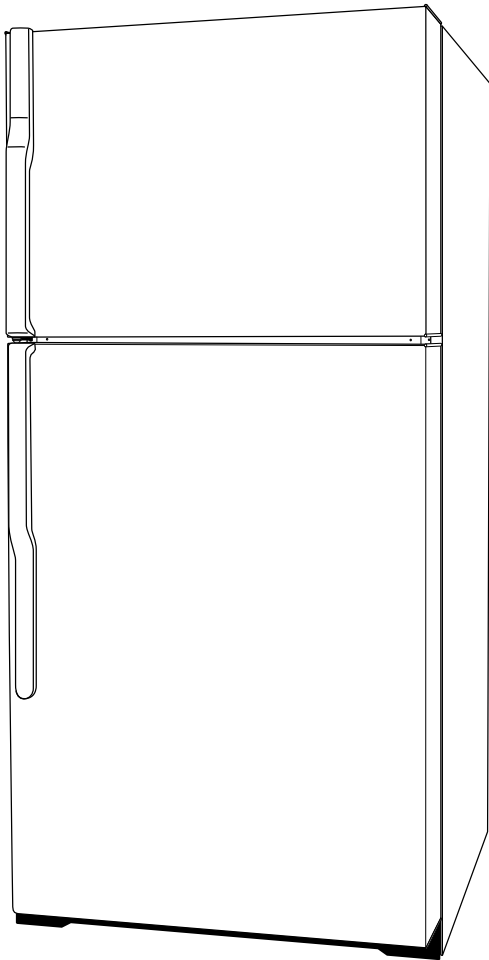
Overall Dimensions	Height with hinge (in.) A	66-5/8
	Height without hinge (in.) B	66-1/8
	Depth without Doors (in.) C	27-1/2
	Depth with Doors (in.) D	30-1/4
	Depth plus Handle with Doors Closed (in.) E	32-1/8
	Depth with Doors open 90° (in.) F	58-1/8
	Width with Doors Closed (in.) G	29-1/2
	Width with Doors open 90° Less Door Handles (in.) H	30
Air Clearances	Each side (in.)	1/8
	Top (in.)	1
	Back (in.)	1

Note: Before installing, consult installation instructions packed with product for current dimensional data.



HOTPOINT

HTS18GBM - Hotpoint 17.9 Cu. Ft. Top-Freezer Refrigerator



Features and Benefits

- 17.9 cu ft Capacity (Fresh Food 12.89 cu ft / Freezer 5.03 cu ft)
- Equipped for Optional Automatic Icemaker
- 2 Vegetable/Fruit Crispers
- Snack Pan
- 2 Full-Width Adjustable Glass Fresh Food Cabinet Shelves
- Fixed Fresh Food Door Shelves
- Dairy Compartment
- Utility Bin
- 1 Adjustable Full-Width Wire Everwhite Freezer Compartment Shelf
- Spill Proof Freezer Floor
- 2 Fixed Freezer Door Shelves
- 2 Ice 'n Easy Trays
- Deluxe Quiet Design Quiet Package
- Color-Matched Door Handles
- Model HTS18GBMWW - White on white
- Model HTS18GBMCC - Bisque