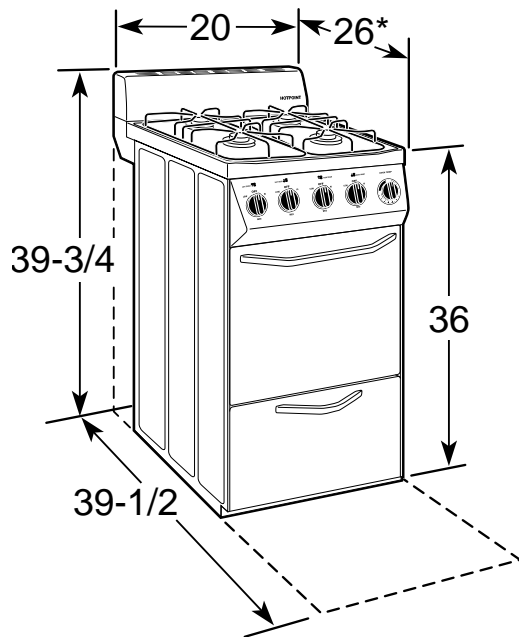


HOTPOINT®

RGA620EF – Hotpoint 20" Free-Standing Gas Range

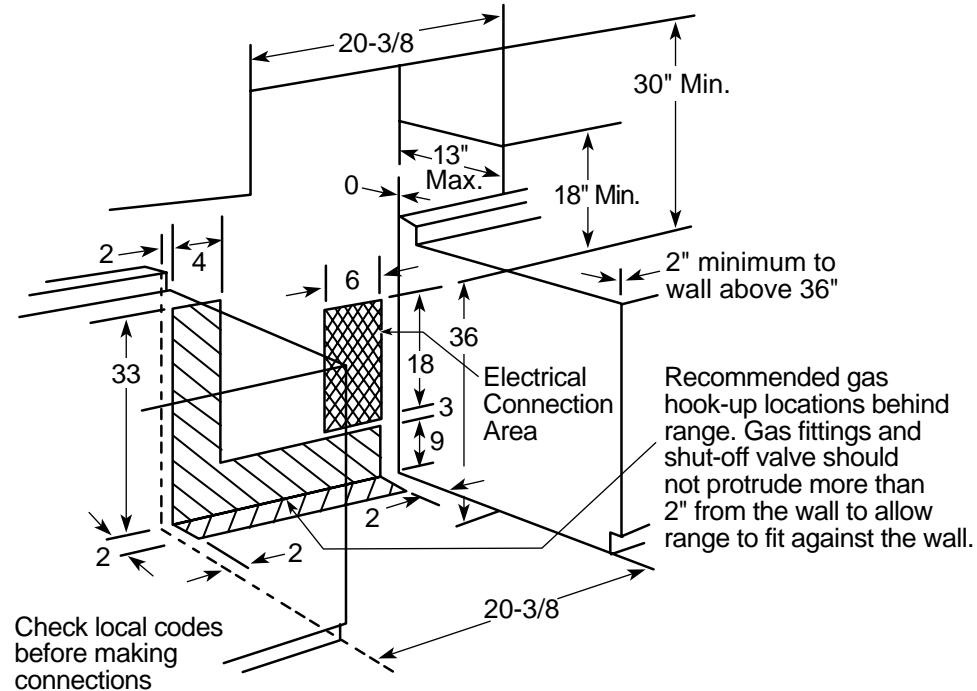
Dimensions (in inches)



*Depth including up-front angled control panel.

Installation Information (in inches)

Recommended gas and electric supply locations.



Check local codes before making connections

Electrical Rating: 120V, 60Hz, 5A

Installation Information: Before installing, consult installation instructions packed with product for current dimensional data.

Note: LP conversion kit is NOT required for this model.

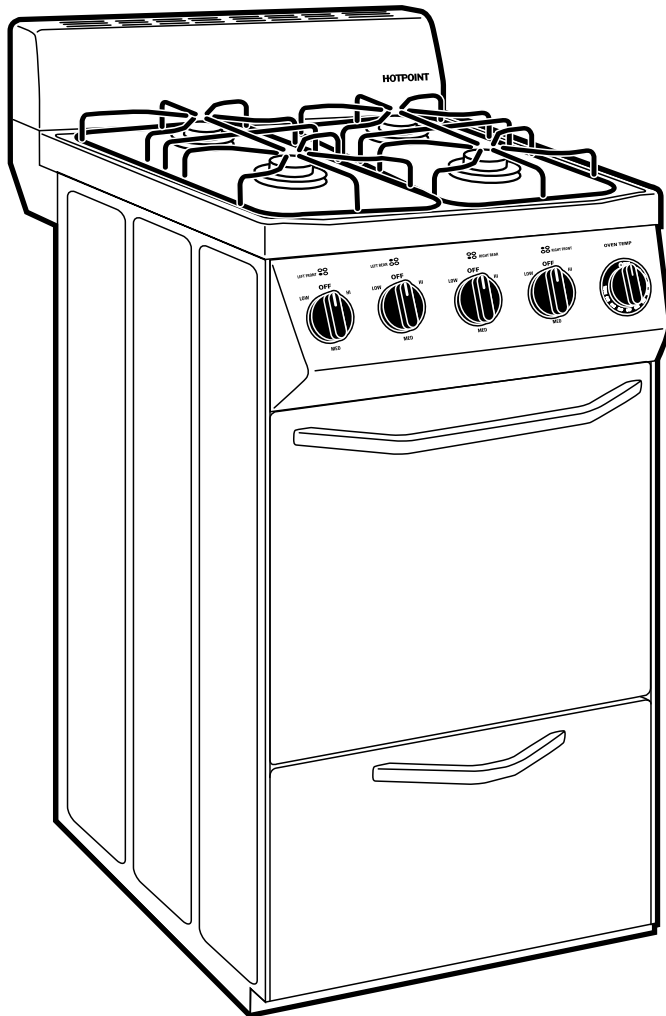


All Hotpoint ranges are equipped with an Anti-Tip device. The installation of this device is an important, required step in the installation of the range.



HOTPOINT®

RGA620EF – Hotpoint 20" Free-Standing Gas Range



Features and Benefits

- Recessed Lift-Up Cooktop with Easy-Clean Subtop
- Standard Clean Oven
- 4 Standard Burners
- Rectangular Burner Grates
- Electronic Pilotless Ignition System
- Push-To-Turn Controls
- Separate Broiler Drawer (with Tip-Down Door)
- Model RGA620EFWH – White