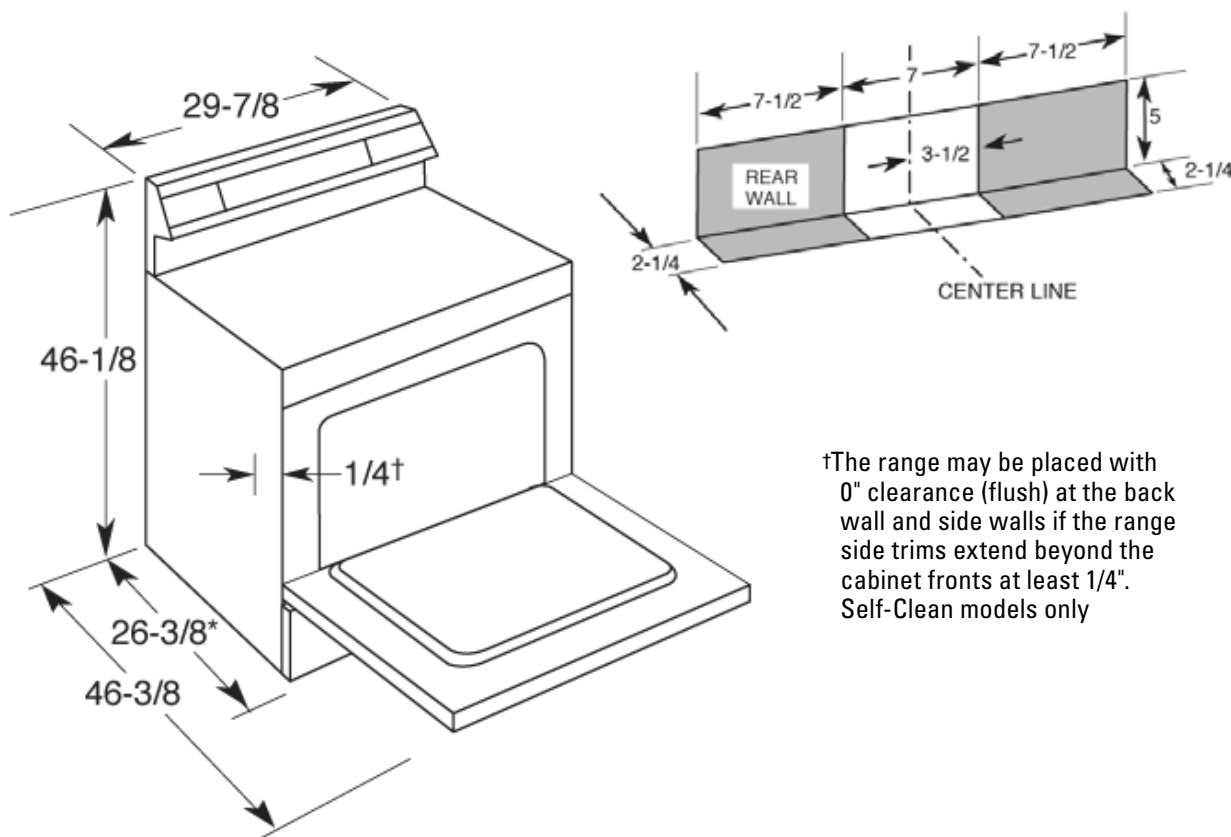


HOTPOINT®

RB525DD– Hotpoint® 30" Free-Standing Electric Range

Dimensions (in inches)



†The range may be placed with 0" clearance (flush) at the back wall and side walls if the range side trims extend beyond the cabinet fronts at least 1/4". Self-Clean models only

Amp Rating	
240V	10.1
208V	8.0
Breaker Size	
40 Amps†	

†**Note:** Check local codes for required breaker size.

Note: 30" Electric Ranges conform to U.L. requirements for 0" spacing from walls below countertops. Allow 1-1/2" spacing from the side of the range to adjacent vertical walls above the cooktop surface.

Receptacle Locations: Locally approved flexible service cord or conduit must be used because terminals are not accessible after range installation. See shaded area in drawing for location of electrical outlet box. Recommended outlet locations allow range to be installed directly against rear wall.

Installation Information: Before installing, consult installation instructions packed with product for current dimensional data.

*Dimension from wall to front of closed oven door.
Dimension from wall to the front of closed oven door handle is 28-1/2".

Specification Created 9/12

420419



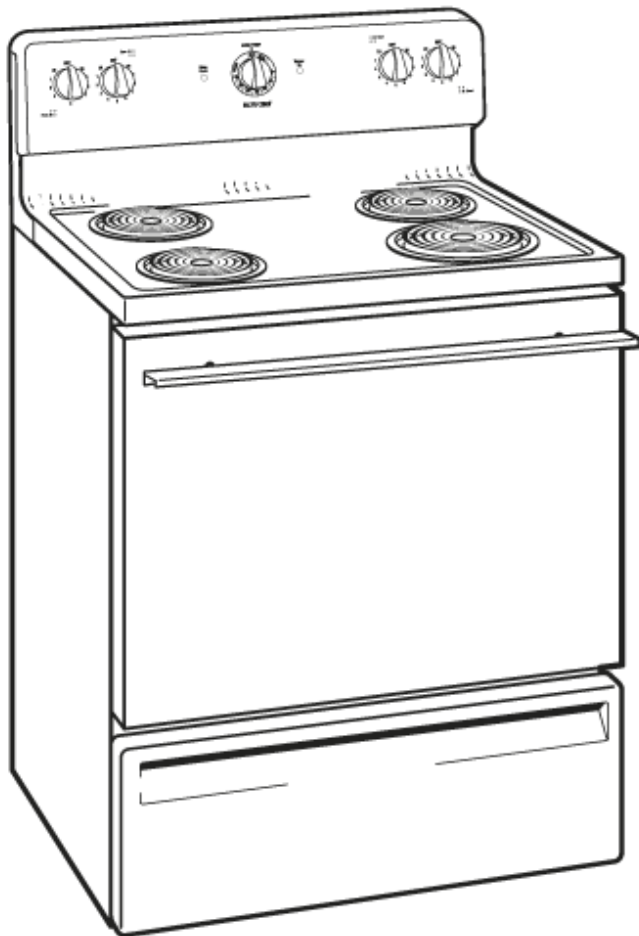
All Hotpoint ranges are equipped with an Anti-Tip device. The installation of this device is an important, required step in the installation of the range.



Listed by Underwriters Laboratories

HOTPOINT®

RB525DD– Hotpoint® 30" Free-Standing Electric Range



Features and Benefits

- 5.0 cu. ft. oven capacity - Enough room to cook an entire meal at once
- Coil heating elements - Provide even heat and easy cleanup
- Porcelain upswept cooktop - Raised edges contain spills, while the surface is easy to wipe clean
- Chrome drip bowls - Contain spills and remove for easy cleaning
- Two oven racks - Durable to securely hold any cookware
- Removable full-width storage drawer - Store cookware or kitchen accessories
- Element "on" indicator light - Know when an element is on
- Porcelain oven door - Scratch-resistant coating is easy to maintain
- Visor handle - Features a classic design and easy cleanability
- Standard clean oven - Smooth surface makes cleaning by hand easier
- Model RB525DDWW – White
- Model RB525DDBB – Black
- Model RB525DDCC – Bisque