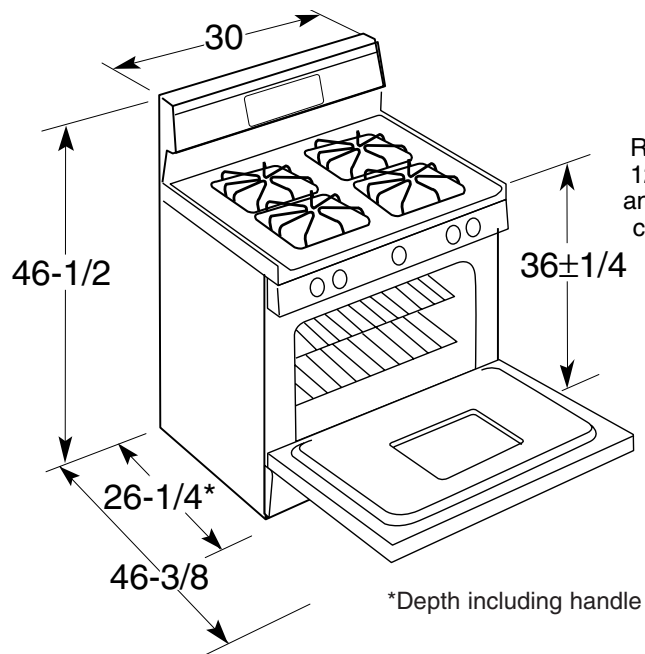


HOTPOINT®

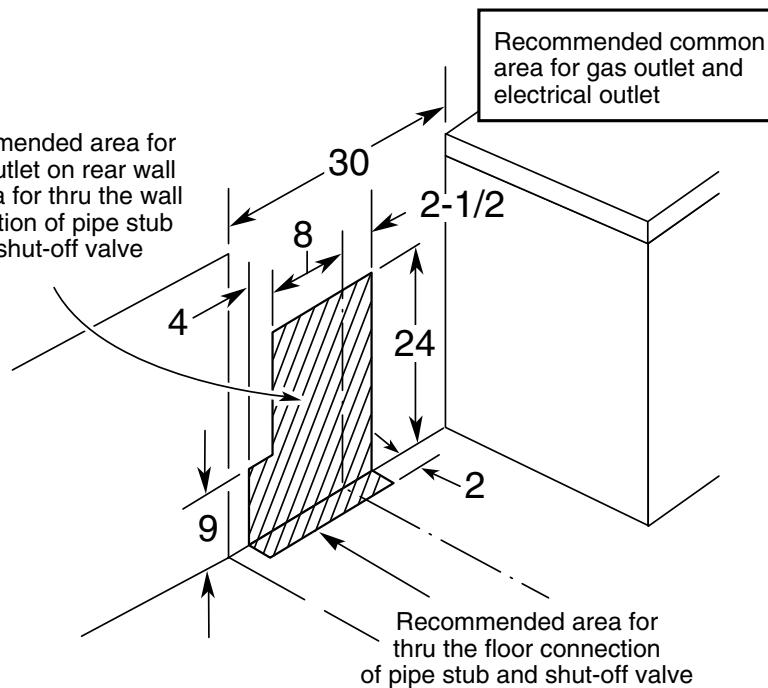
RGB790SEH – Hotpoint 30" Free-Standing Gas Range

Dimensions (in inches)



30" Gas Range Installation Information (in inches)

Recommended area for 120V outlet on rear wall and area for thru the wall connection of pipe stub and shut-off valve



Installation Information: Before installing, consult installation instructions packed with product for current dimensional data.

Optional gas range accessory drip pans:

(Available at additional cost)
To order these accessory drip pans, call toll-free 800-626-2002.

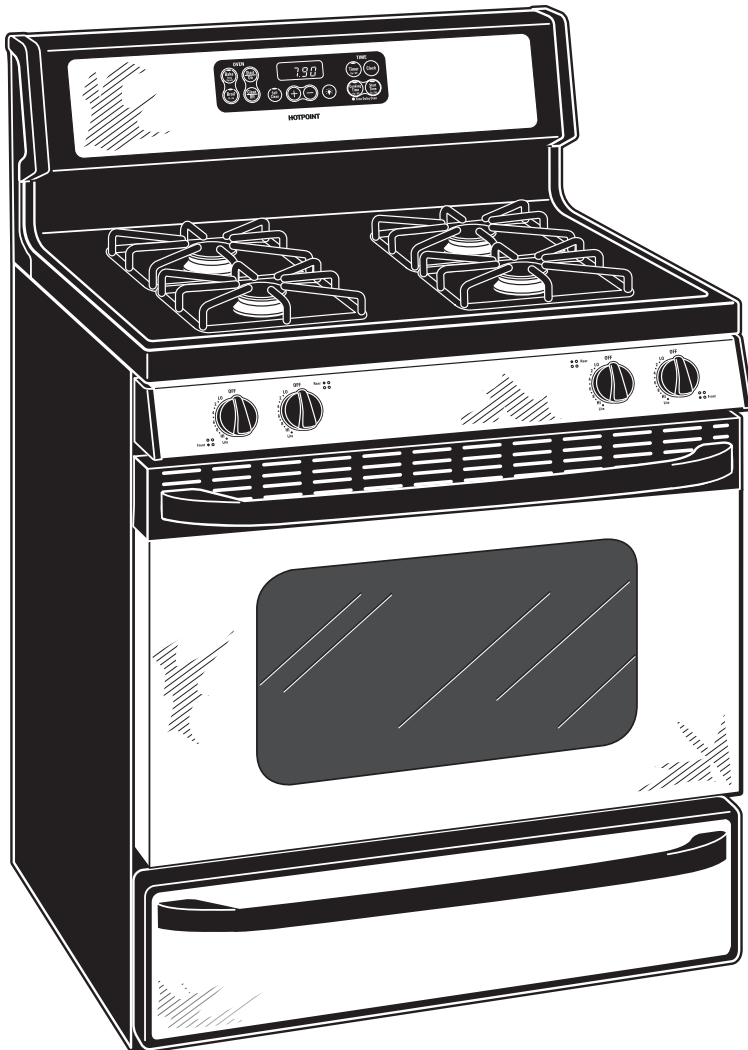


All Hotpoint ranges are equipped with an Anti-Tip device. The installation of this device is an important, required step in the installation of the range.



HOTPOINT®

RGB790SEH – Hotpoint 30" Free-Standing Gas Range



Features and Benefits

- Self Clean Oven – Conveniently cleans the oven cavity without need of scrubbing.
- Extra-Large Oven Capacity – Provides a large oven interior ideal for cooking more items at once.
- Sealed Cooktop Burners – Eliminate the space between the burners and the cooktop to help contain spills and boil over liquids, ensuring easy cleanup.
- Performance Plus Burner – Provides a maximum output of 12,000 BTUs for fast heat-up and boiling.
- Simmer Burner – Provides low, even heat distribution for delicate foods and sauces.
- All Purpose Burners – Deliver a wide range of heat output ideal for most cooking requirements.
- EasySet IV Controls – Features a smooth design that's easy-to-operate and easy-to-clean.
- Model RGB790SEHSA – Silver metallic

Specification Created 1/04

430198