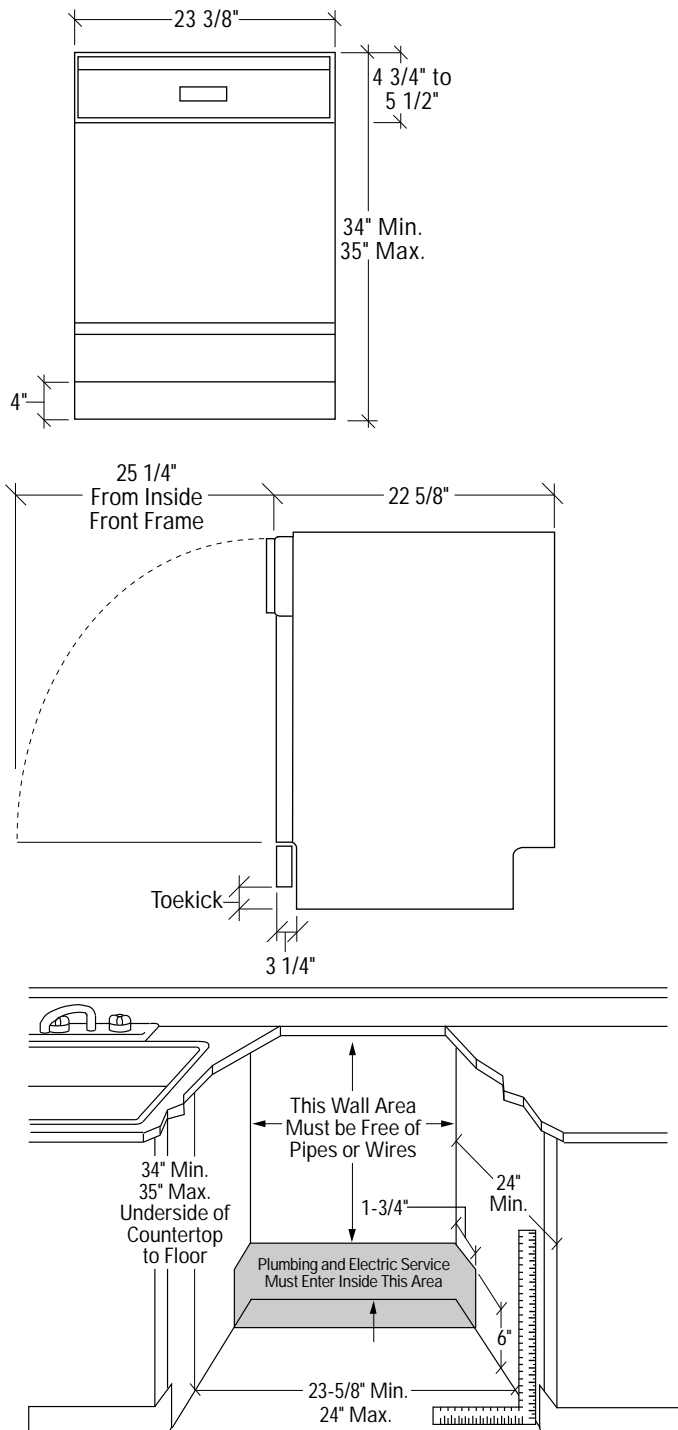




Monogram™

ZBD4800XWW—Dishwasher with stainless steel interior

Dimensions and Specifications (in inches)



Design Information: This dishwasher has a white control panel. This model does not have a finished door or access panel. A 3/4" thick custom door and access panel must be supplied by the consumer.

A toe-kick is supplied and may be covered with custom toe-kick to match kitchen decor.

Side trim is not required. Side filler strips are supplied to fill a 24" wide opening.

The escutcheon height may be adjusted from 4-3/4" to 5-1/2" to match the height of adjacent drawers.

Additional Specifications: A 120 Volt, 60 Hz power supply is required. An individual properly grounded branch circuit protected by a 15 or 20 amp circuit breaker or time delay fuse is recommended. Install a 3-prong electrical receptacle at least 6" above the floor and within 18" of the right or left adjacent cabinet wall. Wiring must enter the cutout in shaded area shown. A double, side-by-side installation requires two separate circuits.

The hot water line must enter the cutout in the shaded area from the right, left, rear or through the floor. The water line should be 3/8" O.D. copper or 1/2" O.D. plastic. Installation of an easily accessible hand shut-off valve is strongly recommended.

The dishwasher should be placed no more than 10 feet from the sink for proper drainage.

If the dishwasher is to be located in or near a corner of base cabinets, allow 2" min. clearance from the corner to prevent interference with adjacent door handles.

For answers to your GE Monogram™, GE Profile™, GE, Hotpoint and RCA appliance questions, call GE Answer Center® service, 800.626.2000.



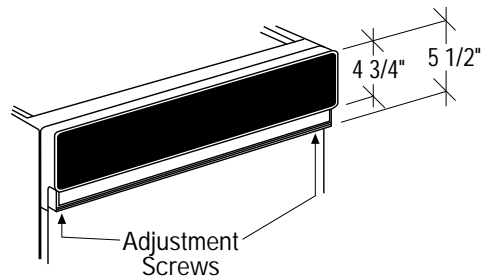
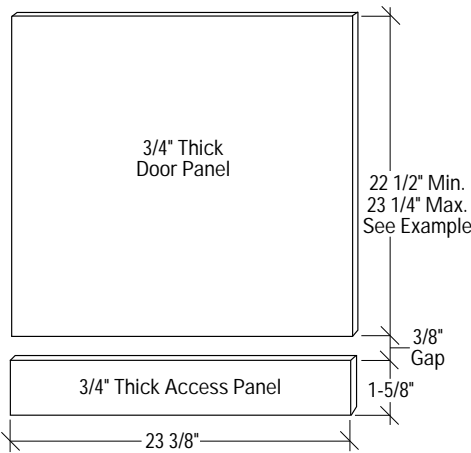


Monogram™

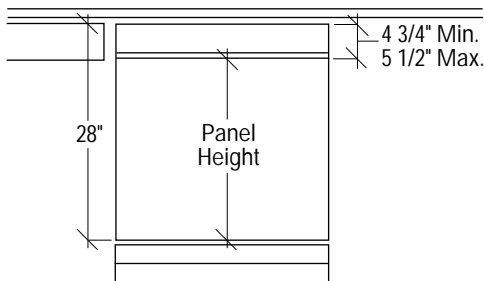
ZBD4800XWW—Dishwasher with stainless steel interior

Dimensions and Specifications (in inches)

3/4" Custom Door and Access Panel Dimensions



OR



Measure the adjusted height of the control panel. Subtract that dimension from 28". The panel height will be 22-1/2" Min. to 23-1/4" Max.

Models ZBD4800X do not have a finished door or access panel. 3/4" thick custom panels are required.

Caution: Read carefully and completely before cutting the door panel. The height of the door panel can vary depending upon the desired installation appearance.

Door and access panels should be constructed in the same manner as the surrounding cabinetry. Cut edges will show and must be finished for optimum appearance. Provide these dimensions to the cabinet manufacturer to ensure that the panels are constructed accurately.

This dishwasher has an adjustable spacer bar below the control panel. The spacer bar allows you to match the height of adjacent drawers. When adjacent drawers are shorter height than the control panel, align the bottom of the control panel by pushing the spacer bar upwards and tightening two screws. Maximum spacer bar adjustment is 3/4".

Any adjustment to the spacer bar will affect the height of the custom panel.

EXAMPLE: Minimum panel height is 22-1/2"
Add adjusted dimension 1/4"
TOTAL PANEL HEIGHT 22-3/4"

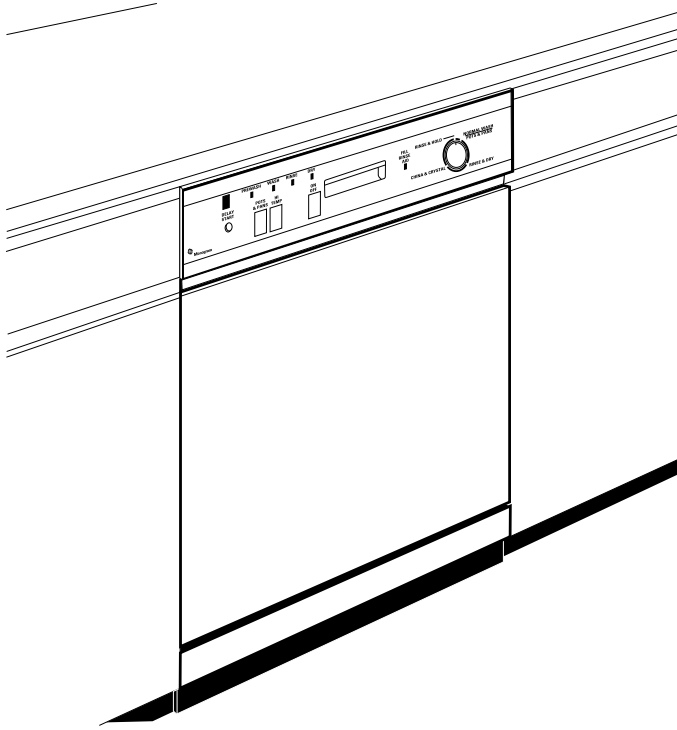
For answers to your GE Monogram™, GE Profile™, GE, Hotpoint and RCA appliance questions, call GE Answer Center® service, 800.626.2000.





Monogram™

ZBD4800XWW—Dishwasher with stainless steel interior



Features and Benefits

- White on white Model
- Triple Sound Insulation Package
- Stainless Steel Interior
- Cycle Selections: Pots & Pans, Normal Wash, China/Crystal, Rinse & Hold, Rinse & Dry
- 4 Wash Levels
- Stainless Steel Multi-Axis Lower Wash Arm
- Triple Filter System
- Adjustable Nylon Upper Rack
- Nylon Lower Rack with Removable Tine Inserts
- Deluxe Silverware Basket
- 2 Utility Shelves
- 9-Hour Delay Start Option
- Water Heat On/Off
- Convection Drying
- Requires 3/4" Custom Panels
- Model ZBD4800XWW—White on white
- Model ZBD4800XBB—Black on black