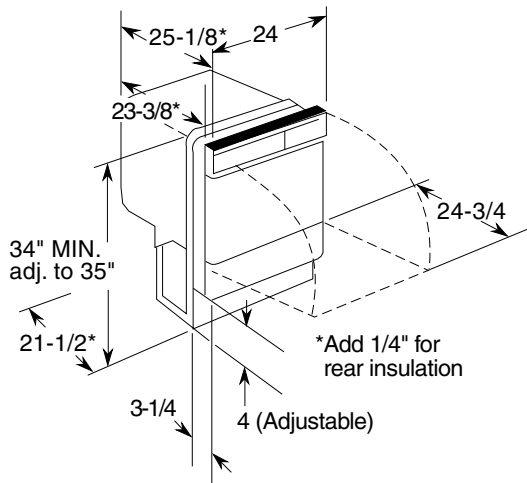


# HOTPOINT

## HDA2100FWW - Hotpoint Built-In Dishwasher

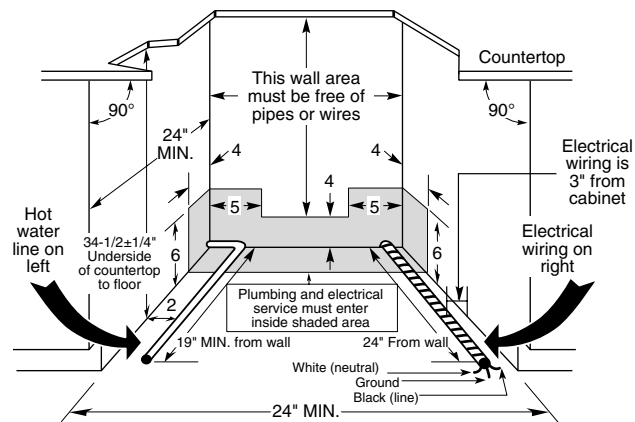
### Dishwasher Dimensions (in inches)



### Electrical Rating

Voltage AC.....120  
 Hertz .....60  
 Total connected load amperage.....8.6  
 Calrod® heater watts.....500  
 For use on adequately wired 120-volt, 15-amp circuit having 2-wire service with a separate ground wire. This appliance must be grounded for safe operation.

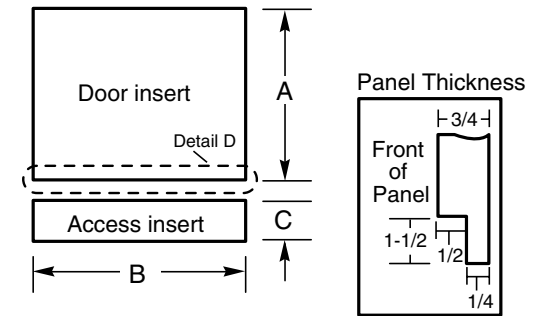
### Installation Information (in inches)



**Note:** Dishwasher must not be installed more than 10' from sink for proper drainage. All plumbing and electrical work must be in accordance with local codes. Dishwasher includes drain hose and leveling legs.

**Installation Information:** Before installing, consult installation instructions packed with product for current dimensional data.

### Wood Insert Cut-Out Dimensions (in inches)



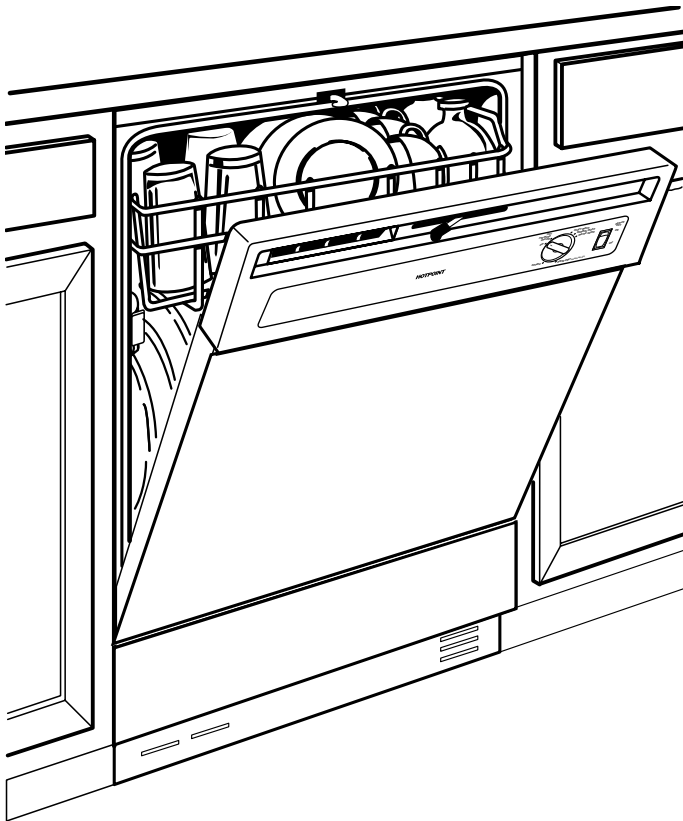
Models/Kits	A	B	C	Panel Thickness
GPF325 Kit	18-7/8"	23-9/16"	3-11/16"	1/4"
GPF375 Kit	18-15/16"	23-5/8"*	4-1/4" to 3-3/4"***	3/4"

\*Bottom of panel must be notched 1-1/2" x 1/2" to clear access panel. (See illustration above)

\*\*\*Adjustment required to match adjacent cabinets fronts due to leveling leg adjustment, 4" nominal.

# HOTPOINT

## HDA2100FWW - Hotpoint Built-In Dishwasher



### Features and Benefits

- 4 Cycle / 9 Options
- Cycles: Heavy Wash, Normal Wash, Water Saver and Rinse Only
- Heated Dry On/Off
- Hot Prewash Option (Dial)
- 2 Wash Levels
- Standard Upper Rack
- Deluxe Flat Lower Rack
- Deluxe Silverware Basket
- Trimless Appearance
- Standard Sound Insulation Package
- Model HDA2100FWW - White on white
- Model HDA2000FBB - Black on black
- Model HDA2000FWH - White
- Model HDA2000FAD - Almond