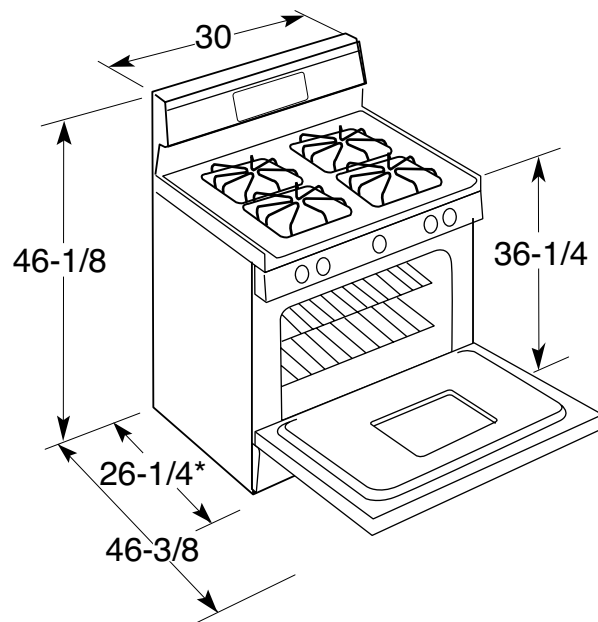


HOTPOINT®

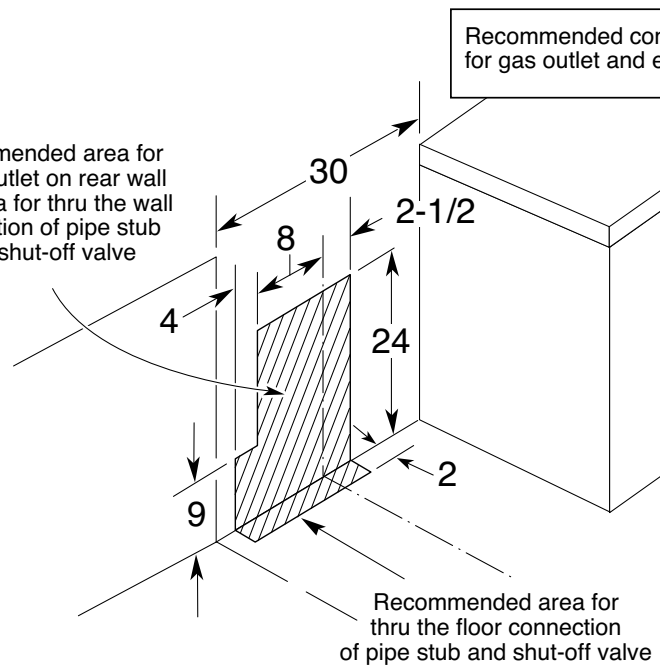
RGB745DEP – Hotpoint 30" Free-Standing Gas Range

Dimensions (in inches)



*Depth from wall to front of closed oven door.

Recommended area for 120V outlet on rear wall and area for thru the wall connection of pipe stub and shut-off valve



Installation Information: Before installing, consult installation instructions packed with product for current dimensional data.

Optional gas range accessory drip pans:
(Available at additional cost)
To order these accessory drip pans, call toll-free 800-626-2002.

Specification Revised 10/13

430180

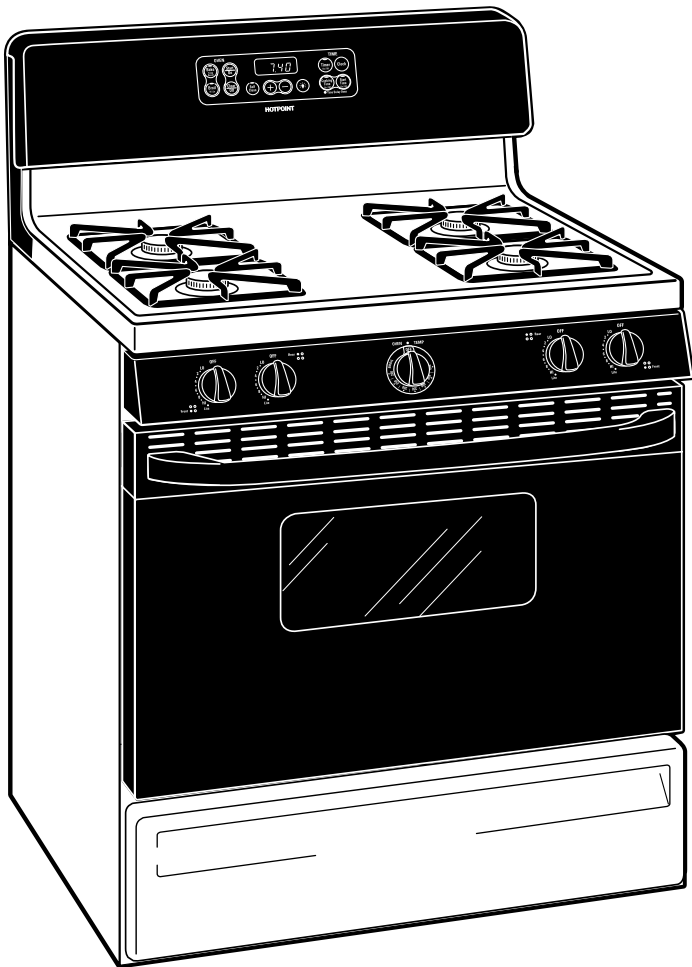


All Hotpoint ranges are equipped with an Anti-Tip device. The installation of this device is an important, required step in the installation of the range.



HOTPOINT®

RGB745DEP – Hotpoint 30" Free-Standing Gas Range



Features and Benefits

- Self-Clean Oven - Self-clean allows you to spare yourself from the trouble and effort it takes to scrub the oven interior
- Sealed Cooktop Burners - Burner elements are sealed to the cooktop to keep foods and liquid contained on the cooktop, making cleaning painless
- Simmer Burner - Provides low, even heat distribution for delicate foods and sauces
- 12,500 BTU Burner - Quickly produces high heat
- Heavy Steel Grates - Constructed from quality steel for long-lasting performance and durability
- In-Oven Broil - Healthy meals are hassle-free with in-oven broiling
- Model RGB745DEPWW - White