

Monogram[®] Assembly Instructions

**24" and 27" Outdoor Cooking Center
Grill Carts
Models ZX24CTBSS/ZX27CTACSS**

Before you Begin – Read these instructions completely and carefully.

Note To Installer: Be sure to leave these instructions with the Consumer.

Note to Consumer: Keep these instructions with your Owner's Manual for future reference.

If you received a damaged Grill Cart, you should contact your dealer.

Assembly of this grill cart requires basic mechanical skills. Proper assembly is the responsibility of the installer.

**For Monogram local service in your area, 1.800.444.1845.
For Monogram service in Canada, 1.888.880.3030.
For Monogram Parts and Accessories, call 1.800.626.2002.**

NOTE:

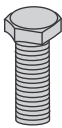
Carts must be completely assembled before any gas connections are made.

Step 1:
*Remove
Packaging*

Open the box and remove the contents.
Remove packaging and protective film.

Locate the hardware accessory package and check contents.

24" Grill Cart



1/4-20 x 3/4"
Hex Bolts



1/4-20 Hex
Keps Nuts



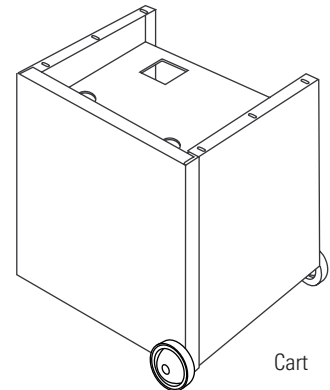
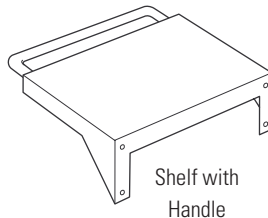
1/4-20 Acorn
Lock Nut

ITEM

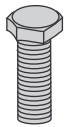
1/4-20 x 3/4" HEX BOLTS
1/4-20 HEX KEPS NUTS
1/4-20 ACORN LOCK NUTS

QUANTITY

4
8
8



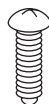
27" Grill Cart



1/4-20 x 1/2" Hex Bolts



10-24 x 1/2" Screws



10-24 x 1-1/8" Screws



Shelf Stops



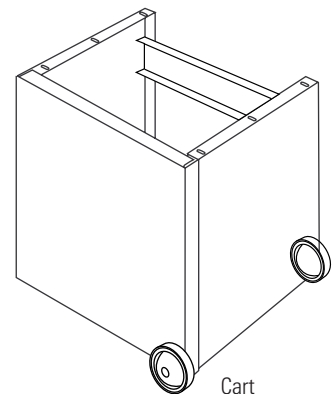
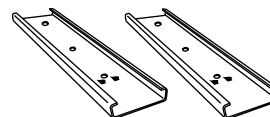
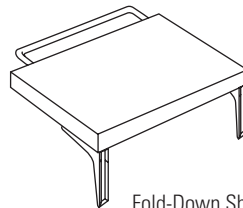
Flat Washers

ITEM

1/4-20 x 1/2" HEX BOLTS
10-24 x 1/2" SCREWS
10-24 x 1-1/8" SCREWS
ALUMINUM SHELF STOPS 3/8 x 3/8
1/4 x 3/4" WASHER FLT SS

QUANTITY

4
4
2
2
4



24" Grill Cart Assembly Instructions

Tools You Will Need

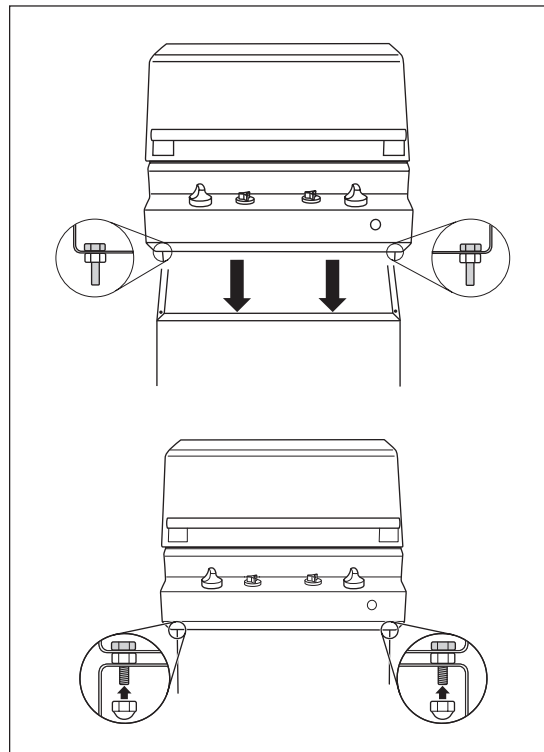
- Two 7/16" wrenches or socket with 6" extension.
- Phillips head screwdriver
- Gloves to protect against sharp edges

⚠ CAUTION The grill is extremely heavy. 2 people are required to lift and place the grill onto the cart.

⚠ PRUDENCE Le gril est extrêmement lourd, Il faut deux personnes pour le soulever et le mettre sur un chariot.

Step 2 Mount Grill Onto Cart

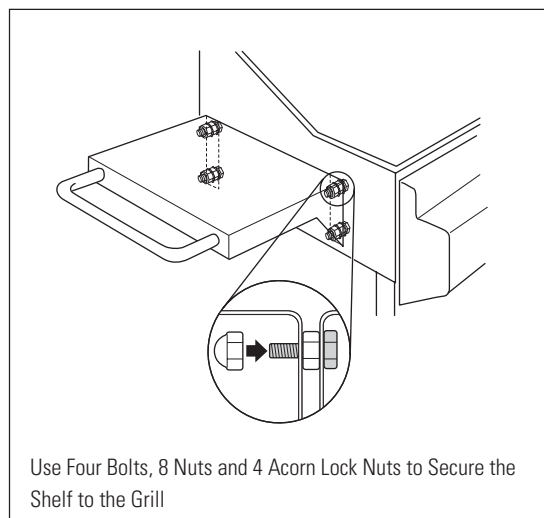
- The grill base has 1/4-20 bolts with two nuts pre-installed on each corner. Remove bottom nuts on each corner and set aside.
- Check to be sure the remaining nuts on the bottom of the grill are tight.
- Lower the grill onto the cart.
- Route the attached hose through the large square cutout in the top of the cart as you position the grill onto the cart.
- The bolts on the bottom of the grill should go through the four corner holes in the top of the cart.
- Install the four nuts on each corner to the grill bolts protruding through the cart.
- Remove the four acorn lock nuts (1/4-20) from the hardware bag.
- Install one acorn lock nut onto each bolt protruding through the cart at each corner.



Step 3 Mount Side Shelf Onto 24" Grill

- The shelf should be installed after the grill has been secured to the cart.
- Open the grill lid.
- Remove the 8 nuts and 4 bolts from the hardware bag.
- Install bolts through the grill and secure with nuts. Tighten.
- Mount shelf onto the four bolts. Secure with nuts and tighten.
- Install the four remaining acorn lock nuts onto the four shelf bolts.

NOTE: The additional nut installed between the grill and shelf serves as a spacer that will help keep the shelf cool during long periods of cooking.



Use Four Bolts, 8 Nuts and 4 Acorn Lock Nuts to Secure the Shelf to the Grill

27" Grill Cart Assembly Instructions

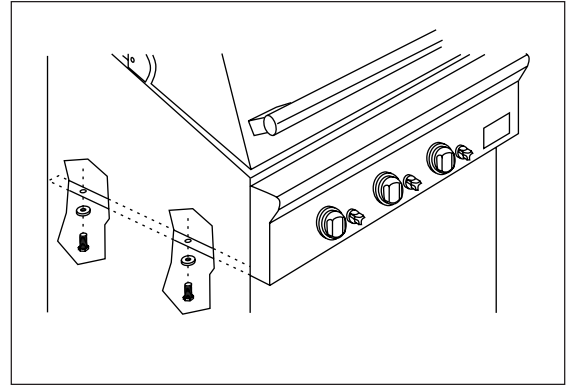
Step 2: Mount Grill Onto Cart

CAUTION: Lock front caster on the cart to prevent movement.

See installation instructions packed with the grill. Remove Packaging, drip tray, burner grates and parts box.

CAUTION: The grill is extremely heavy. Two people are required to lift and place the grill onto the cart.

- Lower the grill onto the cart.
- Check to be sure the grill rests securely and fits square on the cart.
- To secure the grill to the cart: Insert the 1/4–20 bolts and washers up through the cart holes and thread into the bottom holes of the grill head, two on each side.



Step 3 Install Mounting Brackets and Shelf

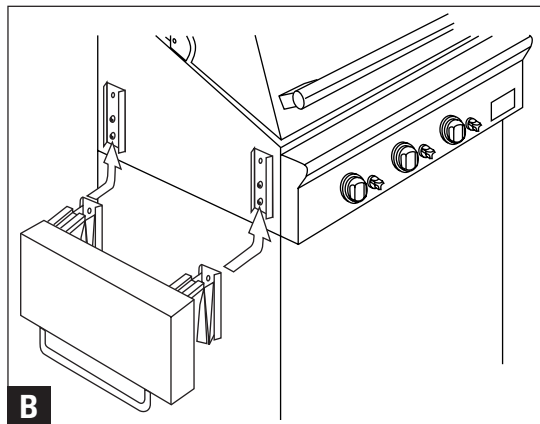
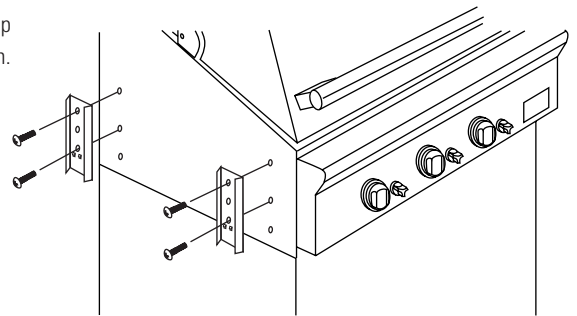
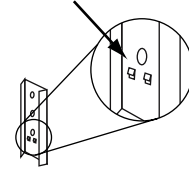
- Install the side shelf mounting brackets (with tabs pointing down) to the left side of the grill head. Use four 10–24 x 1/2" screws.

Install screws through the top and bottom bracket holes and into the top two holes on the grill head as shown.

Leave bottom holes in the grill head open for shelf stops.

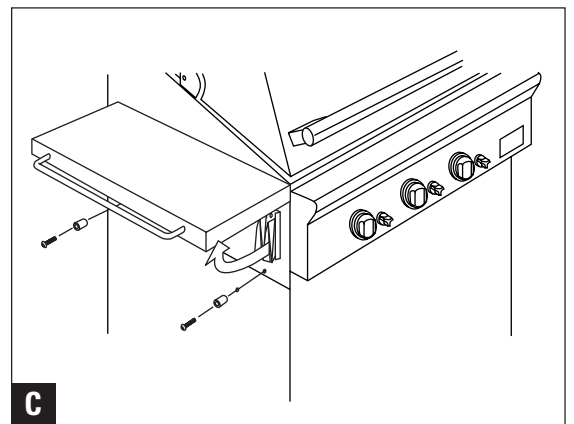
Tabs Pointing Downwards

A



B

- Slide shelf supports up and into the shelf mounting brackets.
- When the shelf stops at the top, fold the shelf out horizontally.
- The shelf should rest securely in the channels.



C

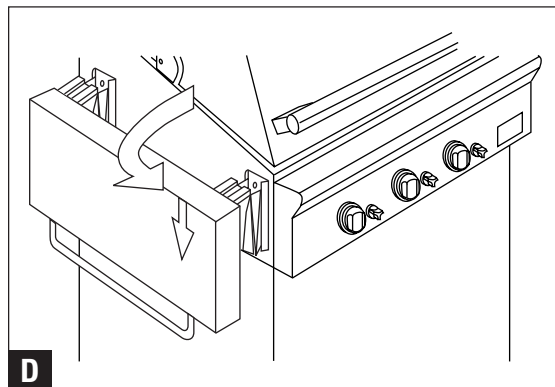
- Install the two long 10–24x1-1/8" screws and shelf stops below the shelf supports.
- The stops and screws will prevent the shelf from sliding out of the channels when folded down.

27" Grill Cart Assembly Instructions

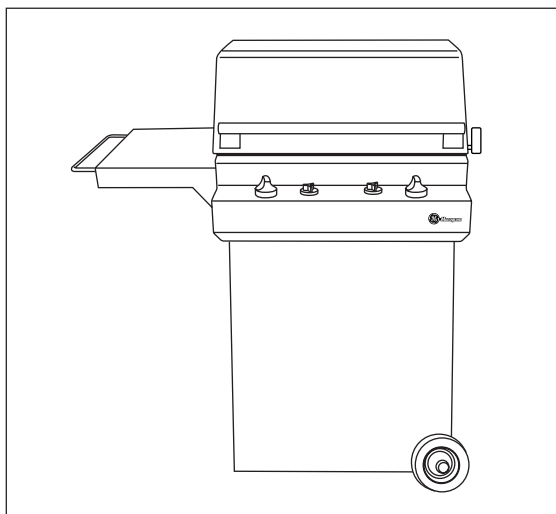
Step 3 (continued)

To fold the shelf down:

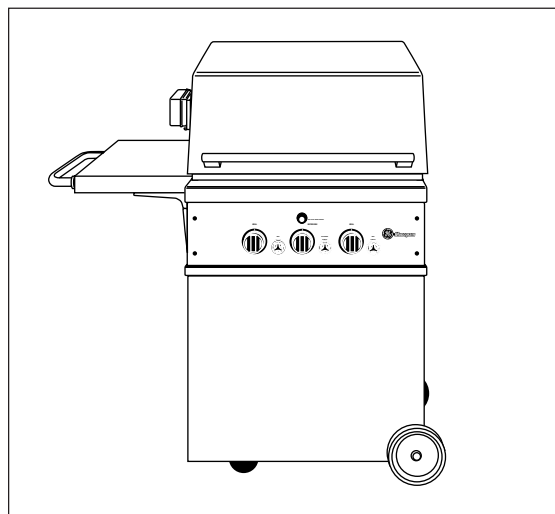
- Lift the shelf up until it clears the channels.
- Fold down and let the shelf slide down and stop on the spacers.



Complete The Installation



24" Grill on Cart



27" Grill on Cart

- Complete the installation according to the installation instructions packed with the grill.

For Monogram local service in your area, call
1.800.444.1845.

NOTE: Product improvement is a continuing endeavor at General Electric. Therefore, materials, appearance and specifications are subject to change without notice.



Monogram.[®]

GE Consumer & Industrial
Louisville, KY 40225

©2005 GE Company

Pub. No. 49-80007-2
Dwg. No. 164D3333P225

02-05 JR

10744-Rev. 3