

Installation Instructions

Dishwasher 1/4" Custom Panel Trim Kit

GPF525 Series

GPF525B-Black Trim Kit, GPF525C-Bisque Trim Kit, GPF525W-White Trim Kit



BEFORE YOU BEGIN

Read these instructions completely and carefully.

IMPORTANT – Save these instructions for local inspector's use.

IMPORTANT – Observe all governing codes and ordinances

Note to Installer – Be sure to leave these instructions with the Consumer.

Note to Consumer – Keep these instructions with your Owner's Manual for future reference.

TOOLS AND MATERIALS REQUIRED:

- 1/4" socket driver
- Phillips screwdriver
- Electric drill
- 1/8" drill bit
- Masking tape
- Safety Glasses
- Gloves to protect against sharp edges

KIT INCLUDES:

- Installation Instructions
- Left, right, top and bottom door trim
- 8 – 18 x 5/16" color-matched screws



WARNING:

To prevent electric shock, disconnect electrical power supply to dishwasher before changing panels. Do not operate dishwasher while changing panels or when toekick assembly is removed.

IMPORTANT!

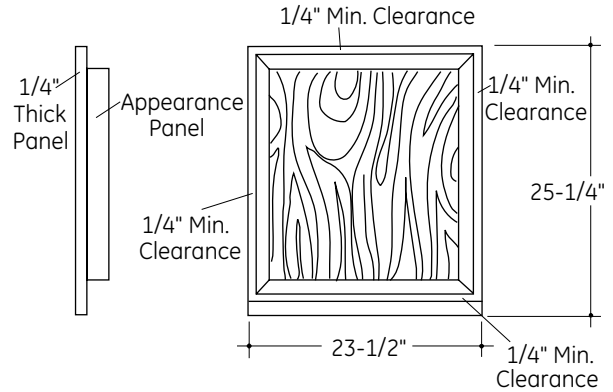
The factory supplied door springs must be replaced with two WD03X10012 door springs if the custom panel weighs more than 3.5 pounds. Order these springs at GE.COM or call 1-800-626-2002. Refer to Step 4 for more information



INSTALLATION OPTIONS

This trim kit is designed to accommodate 1/4" thick panels. A raised panel screwed or glued to 1/4" thick backing can be used. The raised portion of the panel must be fabricated to permit clearances for the trim on all sides.

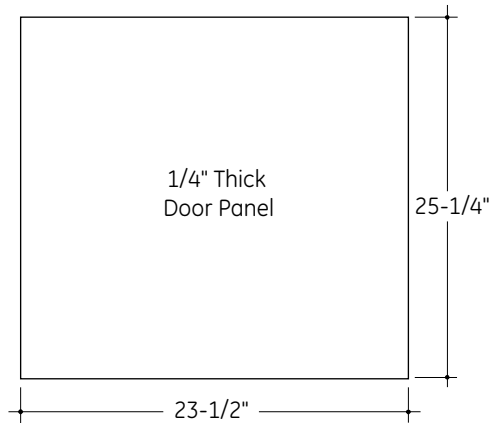
A 3/4" thick custom panel may be installed by routing the top and sides to 1/4" thickness.



STEP 1: CUT 1/4" THICK CUSTOM PANELS TO SIZE

- Cut door panel to the dimensions shown.

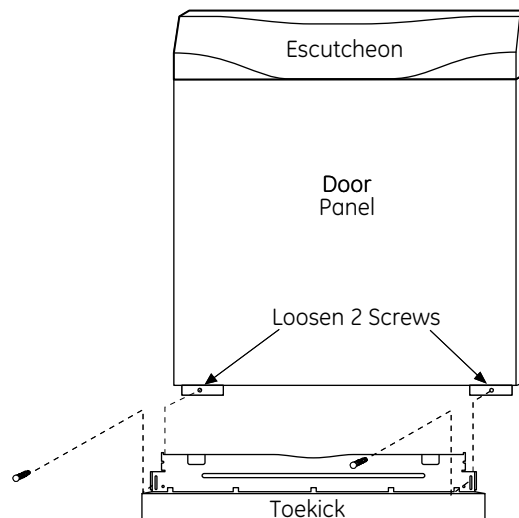
NOTE: The trim provided will conceal the cut edges of the panels.



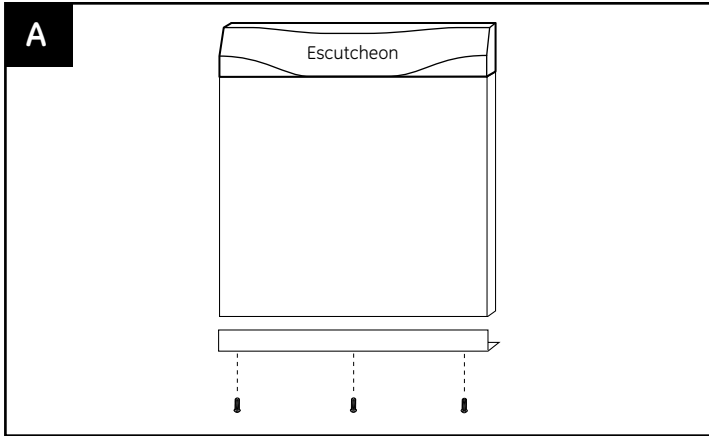
STEP 2: REMOVE TOEKICK ASSEMBLY

- Make sure electrical power to the dishwasher is turned off.
- Remove the two toekick panel screws and toekick panel. Set them aside for use in Step 6.

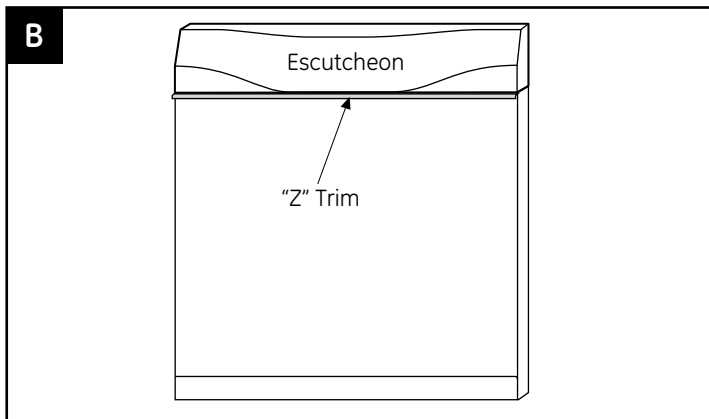
NOTE: Do not remove the insulation behind the toekick.



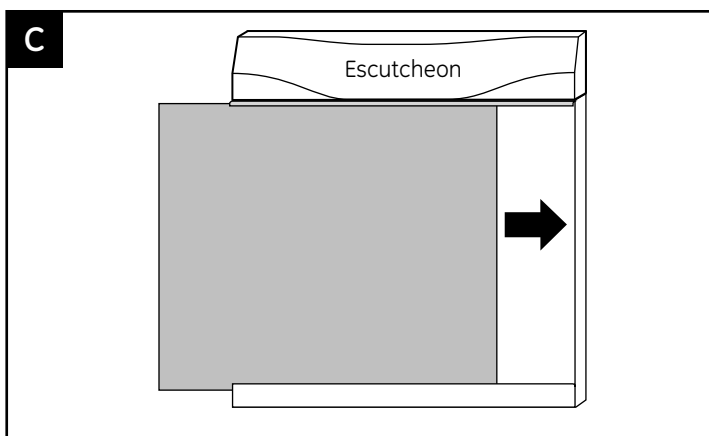
STEP 3: INSTALL DOOR PANEL TRIM AND CUSTOM PANEL



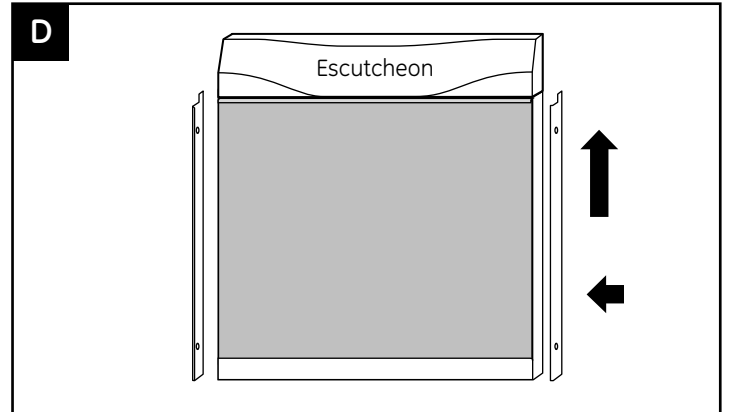
- Place bottom trim against the bottom of the door panel and drive center screw, then left and right screws. Use the 8 - 18 x 5/16" color-matched screws provided.



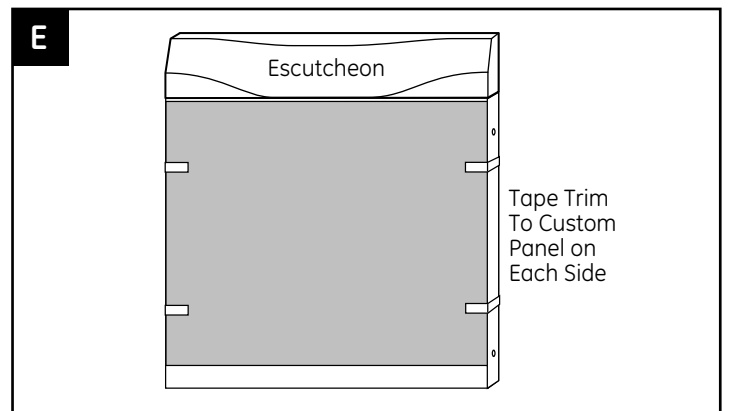
- Slide "Z" shaped trim under the escutcheon.



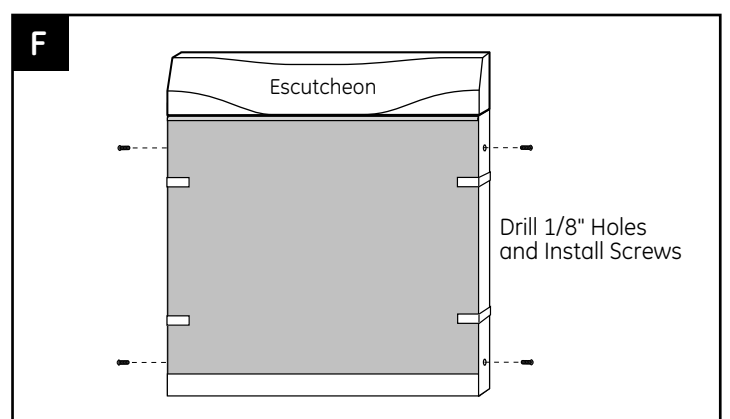
- Slide custom door panel under the "Z" trim and bottom trim.



- The notch on the side trim pieces goes towards the front. Slide side trim up and under the escutcheon and over the edge of the custom panel.



- Use masking tape to hold trim tightly against the custom panel.



- Use the holes in the side trim pieces to locate, center punch, and then drill 1/8" holes in the dishwasher panel. Use care when performing this operation to prevent damage to the side trim.
- Fasten the trim to the dishwasher door panel with the 8 - 18 x 5/16" color-matched screws.
- Remove tape.

STEP 4: CHECK AND ADJUST DOOR BALANCE



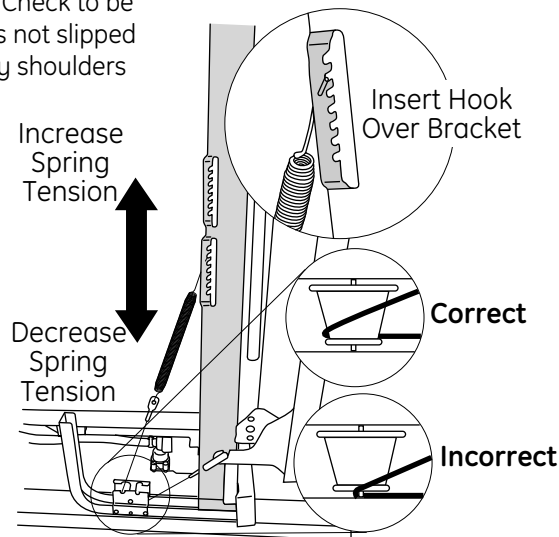
WARNING:

- All dishwashers can tip when removed from enclosure.
- Injury to persons could result.
- Use caution when opening door.

- Check door for proper balance. Door is properly balanced if it gently drops from a 1/2 open position and does not rise from the full open position.
- If a balance adjustment is required, remove the two countertop bracket screws or side mount bracket screws if the counter is granite or similar material. Pull the dishwasher part way out from the cabinet to expose the door springs. The front of the dishwasher should extend about 12" from the face of the cabinet.
- Custom panels weighing more than 3.5 pounds require heavier door springs than those provided with the dishwasher. Purchase two WD03X10012 springs and replace the factory supplied springs with the purchased springs. Order the springs at GE.COM or call 1-800-626-2002. Refer to the illustration at right when replacing the springs. Pay particular attention to the routing of the cables over the pulleys. Cable routing is important for proper door operation. Check door balance with the new springs installed as described above.
- Close and latch the dishwasher door.

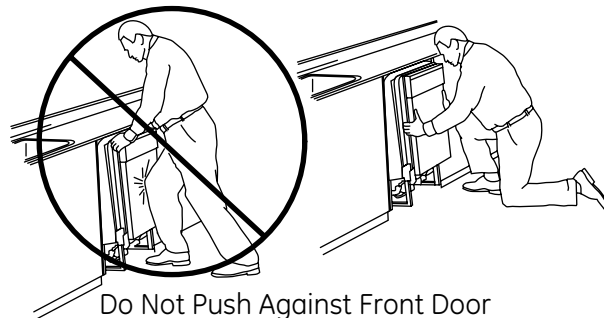
- Increase spring tension if the door dropped by moving the springs to a higher notch on the dishwasher frame. Refer to the figure below.
- Decrease tension if the door rose by moving the springs to a lower notch on the dishwasher frame. Refer to the figure below.
- Both springs should be adjusted to the same tension setting.
- Recheck door balance and repeat the above procedure if necessary.

Tip: If door does not open easily or falls too quickly, check spring cable routing. The cable is held in place by "shoulders" on the pulley. Check to be sure cable has not slipped over the pulley shoulders and onto the axle.



STEP 5: POSITION DISHWASHER

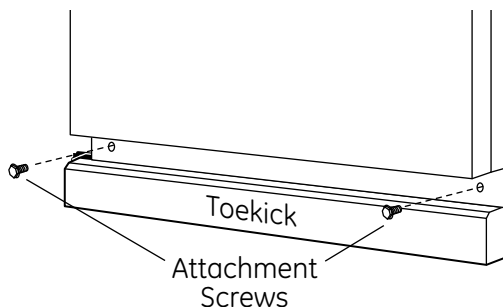
- Grasp the sides of the front panel and slide the dishwasher back into the opening a few inches at a time. Do not push against the front panel with a knee or the palm of your hand as damage to the front panel may result.
- As you proceed, pull the drain hose through the opening under the sink to prevent damage to the drain hose.
- Drive the mounting screws through the countertop brackets or side mount brackets (if used) into the countertop or adjacent cabinets to secure the dishwasher.



Do Not Push Against Front Door Panel With Knee. Damage to The Door Panel May Occur.

STEP 6: REPLACE TOEKICK PANEL

- Place the toekick panel against the legs of the dishwasher and align mounting holes.
- Make sure toekick is against the floor for quiet dishwasher operation.
- Insert and tighten mounting screws.
- Restore dishwasher power.



SPECIFICATIONS SUBJECT TO CHANGE WITHOUT NOTICE