

GTW485ASJ

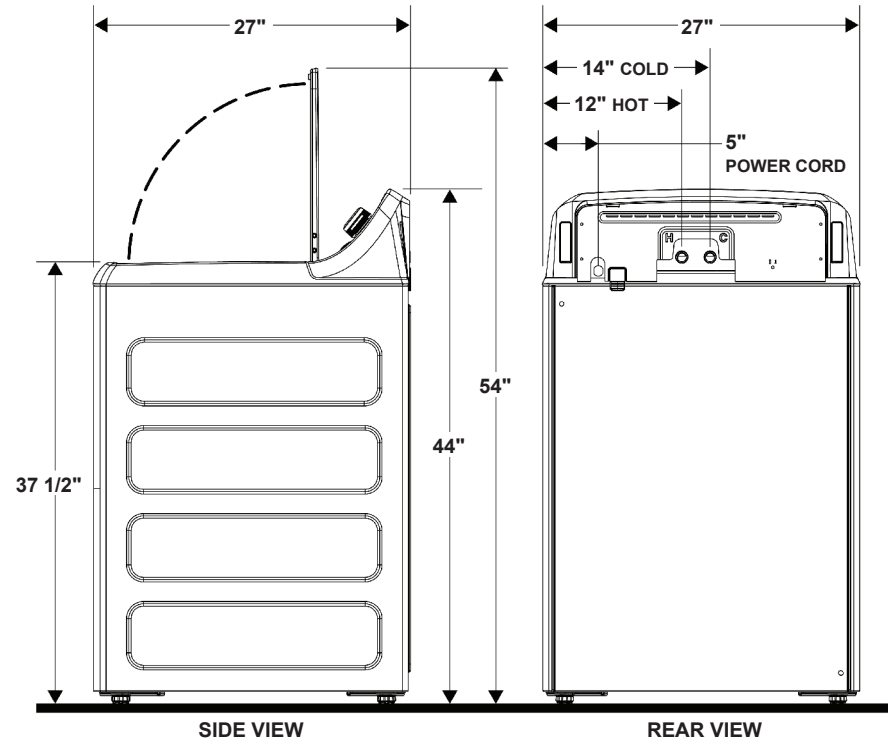
GE Appliances ENERGY STAR® 4.2 DOE Cu. Ft. Capacity Stainless Steel Basket Washer

DIMENSIONS AND INSTALLATION INFORMATION (IN INCHES)

CIRCUIT REQUIREMENTS: An individual, properly-grounded branch circuit, with a three-prong grounding-type receptacle, protected by a 15 or 20 amp circuit breaker or a time-delay fuse, is required. Electrical Rating: 120V, 60Hz, 10A

NOTE: Washer wall outlet must be located within 36" of service code entry. Wall outlet must not be located behind dryer.

INSTALLATION INFORMATION: Before installing, consult installation instructions packed with product for current dimensional data.



For answers to your Monogram, GE Café™ Series, GE Profile™ Series or GE Appliances product questions, visit our website at geappliances.com or call GE Answer Center® Service, 800.626.2000.



Listed by
Underwriters
Laboratories

Specification Revised 5/16

GTW485ASJ

GE® Series ENERGY STAR® 4.2 DOE Cu. Ft. Capacity Stainless Steel Basket Washer

FEATURES AND BENEFITS

Deep Fill – Customize your water-fill levels with just the touch of a button. Add a little extra or fill the tub to wash the way you want

ENERGY STAR® certified – Meets or exceeds federal guidelines for energy efficiency for year-round energy and money savings

Dual-action agitator – Powerful reversing wash action rotates your laundry for a thorough clean every time

Stain Pretreat – Assists removing tough stains with preprogrammed settings that modify your cycle to treat the four most common stains.

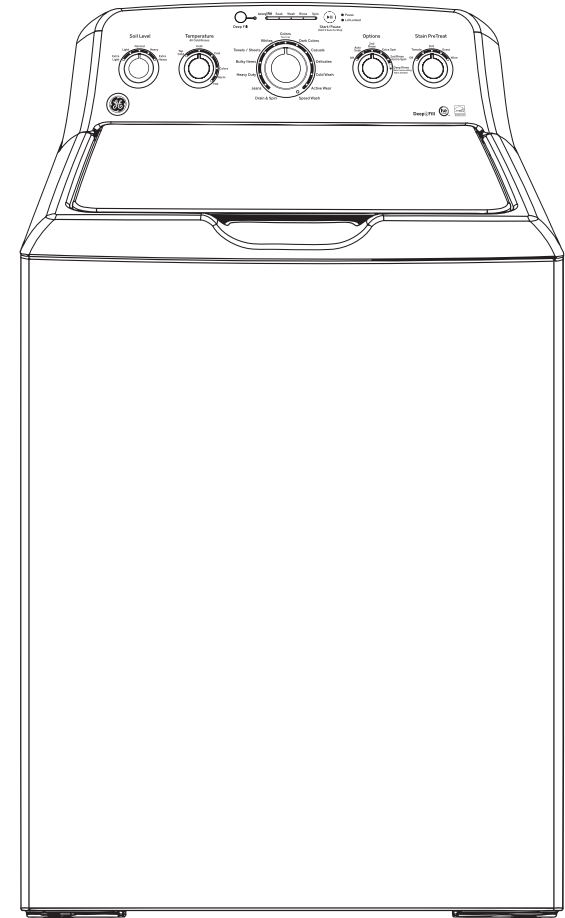
Auto Soak – Loosens stains by soaking prior to the wash cycle

Deep Rinse – Removes any leftover soap residue

Speed Wash – Provides a quick wash for lightly soiled items that are needed in a hurry

Rotary electronic controls with cycle status lights – Know the progress of the wash cycle with just a quick glance

Model GTW485ASJWS – White with silver backsplash



MODIFIED ENERGY FACTOR (IMEF)	2.06
WATER FACTOR (IWF)	4.3

