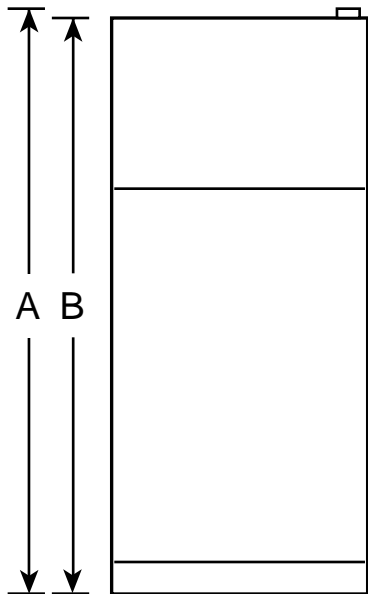


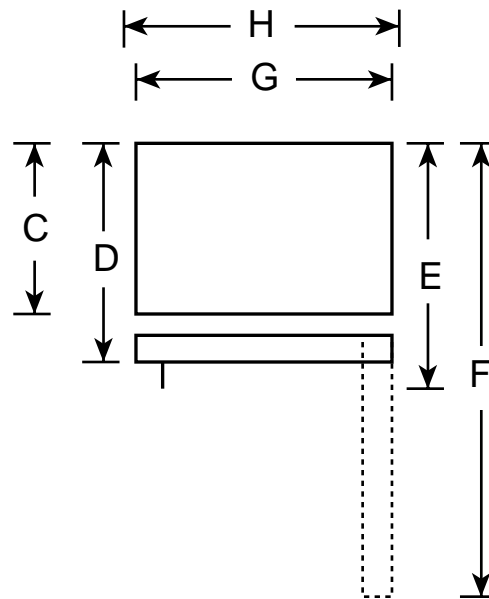
HOTPOINT

HTS22CBM—Hotpoint 21.8 Cu. Ft. Top-Freezer Refrigerator

Front View



Top View



Overall Dimensions	Height with hinge (in.) A	67-1/2
	Height without hinge (in.) B	66-7/8
	Depth without Doors (in.) C	27-5/8
	Depth with Doors (in.) D	31-5/8
	Depth plus Handle with Doors Closed (in.) E	33-5/8
	Depth with Doors open 90° (in.) F	63
	Width with Doors Closed (in.) G	32-7/8
	Width with Doors open 90° Less Door Handles (in.) H	33
Air Clearances	Each side (in.)	1/8
	Top (in.)	1
	Back (in.)	1

Note: Before installing, consult installation instructions packed with product for current dimensional data.



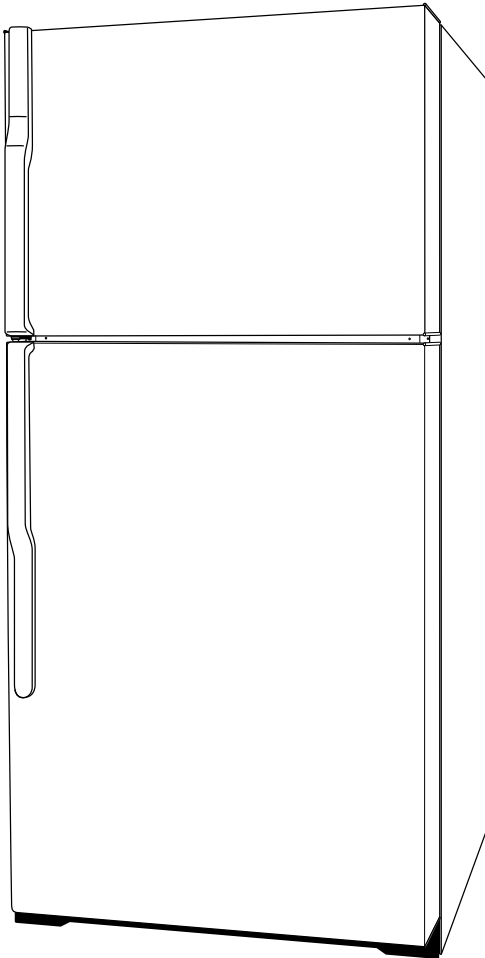
Total volume and shelf area are calculated by the Association of Home Appliance Manufacturers' standards.



Listed by Underwriters Laboratories

HOTPOINT

HTS22CBM—Hotpoint 21.8 Cu. Ft. Top-Freezer Refrigerator



Features and Benefits

- 21.8 cu. ft. Capacity (Fresh Food 15.47 cu. ft. / Freezer 6.37 cu. ft.)
- Equipped for Optional Automatic Icemaker
- 2 Vegetable/Fruit Crispers
- Pivot-Out Pans
- Snack Pan
- 2 Adjustable Full-Width Wire Everwhite Fresh Food Cabinet Shelves
- 3 Fixed Fresh Food Door Shelves (2 with Gallon Storage)
- Dairy Compartment
- Utility Bin
- FrostGuard™
- Spill Proof Freezer Floor
- 1 Adjustable Full-Width Wire Everwhite Freezer Compartment Shelf
- 2 Fixed Freezer Door Shelves
- 2 Ice 'N Easy Trays
- Deluxe Quiet Design
- Color-Matched Door Handles
- Model HTS22CBMWW—White on white
- Model HTS22CBMCC—Bisque