



GE WINDOW-TYPE ROOM AIR CONDITIONER

ASV07WB
ASV09WB





GE WINDOW-TYPE ROOM AIR CONDITIONER



Preparing Your Air Conditioner

Safety Precautions 2



Air Conditioner Unit

– Main Parts and Control Panel 3



How to Operate

Getting Started 4

Operating Your Air Conditioner

Cooling Your Room 5

Setting the Off Timer 6

Cancelling the Off Timer 6

Switching the Air Conditioner Off 6

Adjusting the Air Flow Direction Horizontally 7

Adjusting the Air Flow Direction Vertically 7

Using the Ventilation Lever 7

Recommendations For Use

Operating Recommendation 8

Temperature and Humidity Ranges 8



How to Clean

Cleaning Your Air Conditioner 9



Installation

..... 10



Troubleshooting Guide

..... 11

Model: ASV07WB / ASV09WB



SAFETY PRECAUTIONS

The following safety precautions must be taken when installing and using your air conditioner.

1. *The air conditioner must be plugged into its own specific power source, which must be installed in compliance with local wiring, earthing and safety regulations.*

Depending on local regulations and your specific installing, you may need to install:

- ◆ *A circuit breaker*

For further information on electrical requirements, contact a professional electrician. This device must be installed according to the local electrical rules.

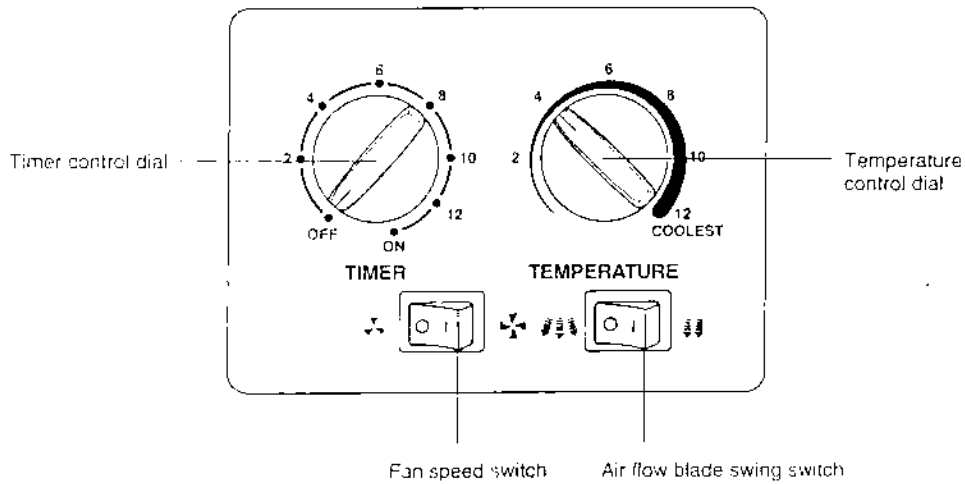
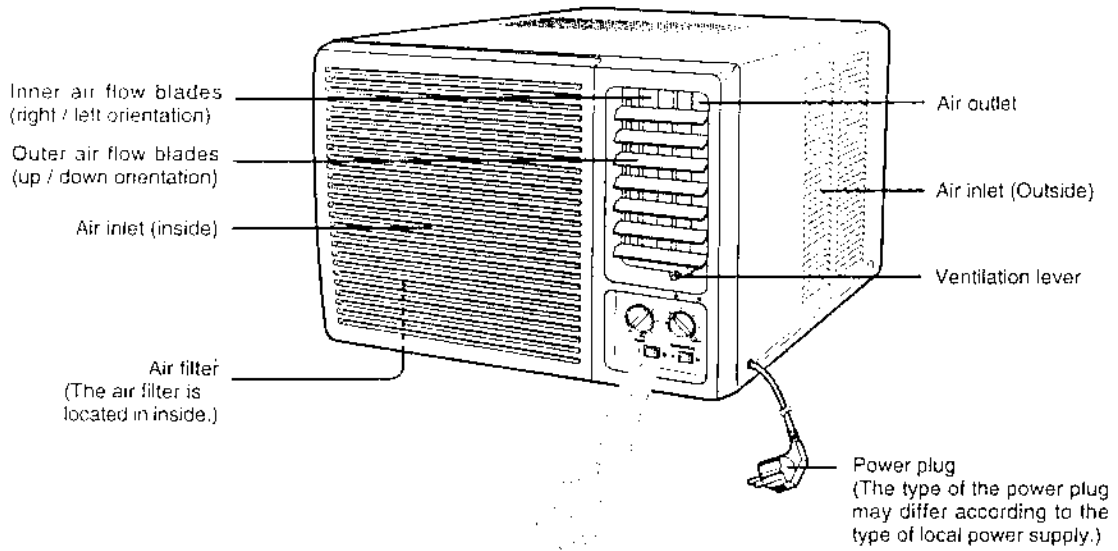
2. *Make sure that the unit is correctly ventilated at all times; do NOT place clothing or other materials over it.*
3. *NEVER spill liquid of any kind into the unit. Should this happen, unplug the unit and contact your installation specialist.*
4. *Do NOT insert anything between the air outlet blades, as the inner fan may be damaged and you may be hurt. Keep children away from the unit.*
5. *ALWAYS ensure that the power cable is in good condition. Make sure that it is not walked on or damaged by items placed on or against it.*

If the power cord is damaged in any way, it must be replaced by an approved power cord available from the manufacturer or its service agent.
6. *Do NOT attempt to repair the unit yourself. If it is damaged in any way, contact:*
 - ◆ *An approved service center*
 - ◆ *The outlet at which the air conditioner was purchased*
7. *Do NOT place any obstacles in front of the unit.*

AIR CONDITIONING UNIT - MAIN PARTS AND CONTROL PANEL



* The design and shape are subject to change according to the model.



Safety Precautions / Air Conditioning Unit - Main Parts and Control Panel



HOW TO OPERATE

Getting Started

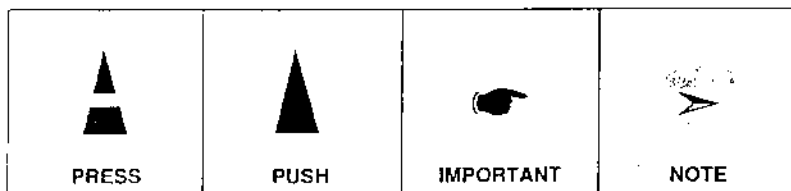
You have just purchased a window-type room air conditioner and it has been installed by your installation specialist.

Your Owner's instructions contain much valuable information on using your air conditioner. Please take the time to read them; they will help you take full advantage of the unit's features.

The booklet is organized as follows.

- ◆ *The illustration on page 3 shows the air conditioning unit; it indicates the location and purpose of the main parts and controls on the unit.*
- ◆ *In the main part of the document, you will find a series of step-by-step procedures for each function available.*

The illustrations in the step-by-step procedures use four different symbols:





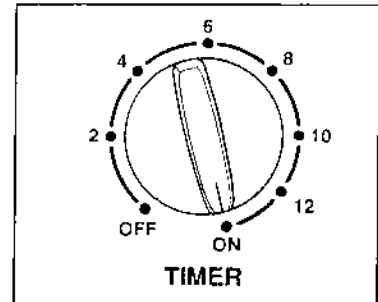
Cooling Your Room

You must select the Cool mode if you wish to lower the temperature in your room. You can also set the fan speed.

1. Set the timer control dial to the "ON." Position.

Result: The air conditioner starts up in Cool mode.

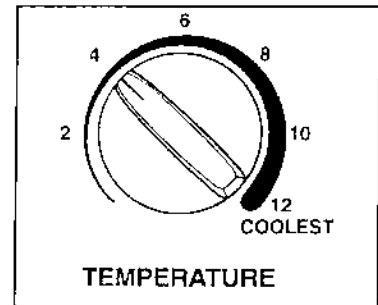
- When attempting to use it for a specified period of time, set it to the desired period of time. Refer to page 6.





2. To adjust the temperature, turn the temperature control dial to the desired position.

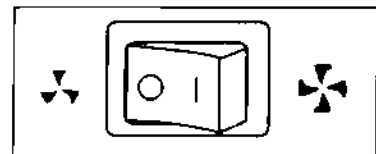
Possible temperatures: Between 18°C and 29°C inclusive.

Result: The air conditioner starts cooling if the room temperature is higher than the selected temperature.



3. If necessary, set the FAN SPEED switch to the desired speed.

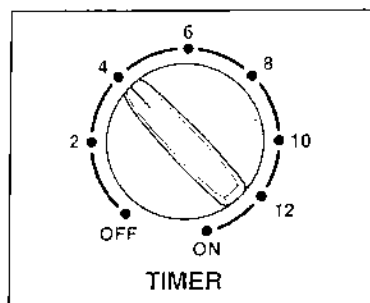
-  The fan turns rapidly.
-  The fan turns slowly.



4. To control the direction of the air flow, refer to page 7.



HOW TO OPERATE



Setting the Off Timer

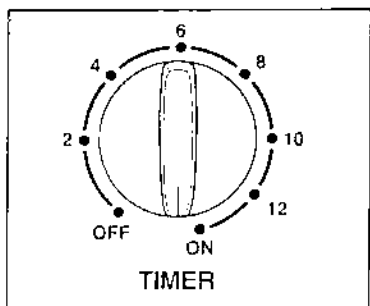
Use the timer when attempting to operate the air conditioner for a specified period of time, and then turn it off automatically.

1. Set the timer control dial to the desired time.

Example: ♦ When you want to turn it off after operating it for four hours, set it to "4".

∇ Some minor errors may occur when setting the time depending upon the supply power and position of the timer.

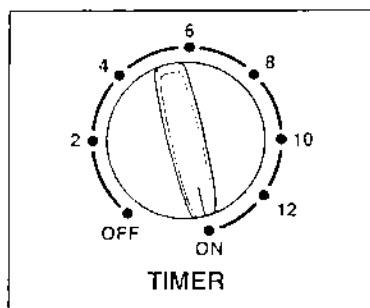
2. Set it to desired operating conditions.
Refer to page 5.



Cancelling the Off Timer

You can cancel the operation of the timer whenever you want to cancel it.

1. Set the timer control dial to the "ON," or "OFF" position.



Switching the Air Conditioner Off

You can switch the air conditioner off whenever you want.

To switch the unit off, simply set the timer control dial to the "OFF" position.


Result: The air conditioner stops operating.

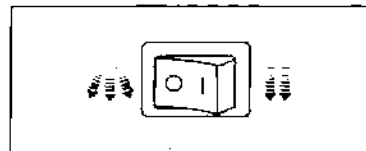
HOW TO OPERATE




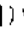
Adjusting the Air Flow Direction Horizontally

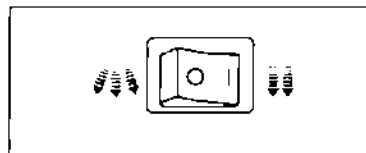
Depending on the position of the unit in your room, you can adjust the orientation of the inner air flow blades on the right-hand side of the unit, thus increasing the efficiency of the air conditioner.

1. Set the air flow blade swing switch to the  position (O).
Result: The inner blades swing automatically left and right.



2. To stop the blades moving left and right, set the air flow blade swing switch to the  position (I).

- To stop the blades in a specific position and orient the air flow in the corresponding direction, simply set the switch to the  position (II) when the blades are in the desired position.



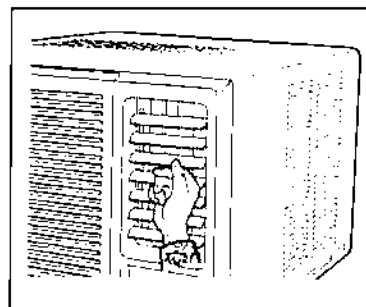
Adjusting the Air Flow Direction Vertically

Again depending on the position of the unit in your room, you can adjust the orientation of the outer air flow blades on the right-hand side of the unit.

RECOMMENDATION	When ...	Adjust the blades to face ...
	Cooling	Upwards.


Adjust the air flow blades to the desired position, by pushing them upwards or downwards.

- If you orient the air flow blades downwards and the unit operates in Cool mode for long periods of time, dew may:
- ◆ Form on the surface of the blades
 - ◆ Drip from the blades




Using the Ventilation Lever

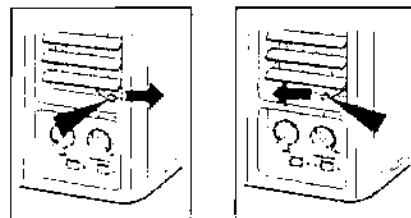
Use the ventilation lever when you want to exhaust unfresh air.

1. If you wish to evacuate stale air outside, push the ventilation lever on the front of the unit to the right and the open position ().

Result: The air inside the room circulates and stale air is evacuated outside.

Otherwise, push the ventilation lever to the left and the closed position ().

Result: The air simply circulates inside the room.





HOW TO OPERATE

Operating Recommendation

Here is a recommendation that you should follow when using your air conditioner.

Topic:	Recommendation:
Power failure	If a power failure occurs when the air conditioner is operating, the unit is switched off. When the power returns, the air conditioner starts up again automatically.

Temperature and Humidity Ranges

The following table indicates the temperature and humidity ranges within which the air conditioner can be used.

Mode:	Outdoor Temperature	Indoor Temperature	Indoor Humidity
Cooling	21°C to 43°C approx.	21°C to 32°C approx.	80% or less


If the air conditioner is used at	Then
Higher temperature	The automatic protection feature may be triggered and the air conditioner stopped.
Lower temperature	A water leakage or some other malfunction may happen if the heat exchanger freezes.
Higher humidity levels	Water may condense on and drip from the surface of the unit if it is used for long periods.

HOW TO CLEAN

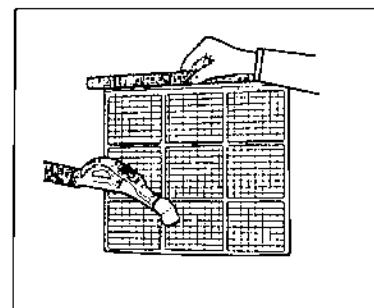
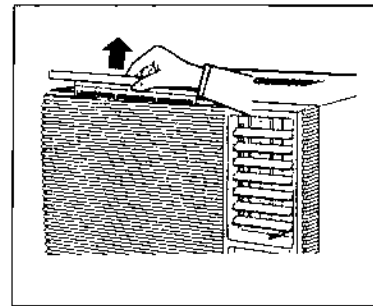


Cleaning Your Air Conditioner

To get the best possible use out of your air conditioner, you must clean it regularly to remove the dust on the air filter.

 Before cleaning your air conditioner, ensure that it is switched off and unplugged from the wall socket.

1. Grasp the handle on the air filter and lift it slightly and then out to the front.
2. Remove all dust on the air filter with a vacuum cleaner or brush.
3. When you have finished, slide the air filter back into position.
4. Clean the outer surfaces with a damp cloth and mild detergent (do NOT use benzene, solvents or other chemicals). Wipe them dry with a clean, soft cloth.



If you

Then

Will not be using the air conditioner for a long period of time

- ◆ Set the fan going for a few hours to dry the inside of the air conditioner thoroughly.
- ◆ Switch the air conditioner off and unplug it from the wall socket.
- ◆ Clean the filter and outer surfaces.

Have not used the air conditioner for a long period of time

Set the fan going for a few hours to dry the inside of the air conditioner thoroughly.



INSTALLATION

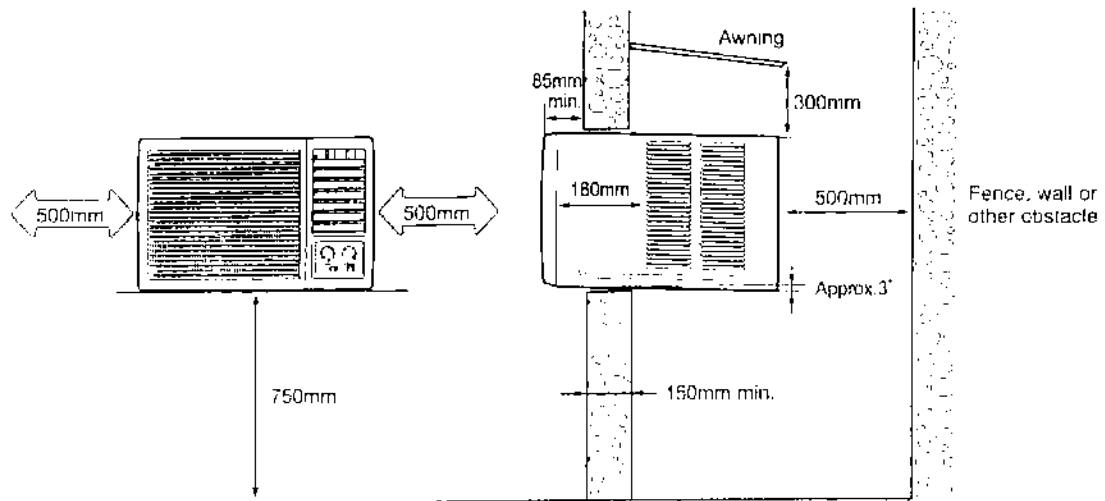
Before installation, be sure to check the installation area or the air conditioner, and drain hose.

Checkpoints prior to installation

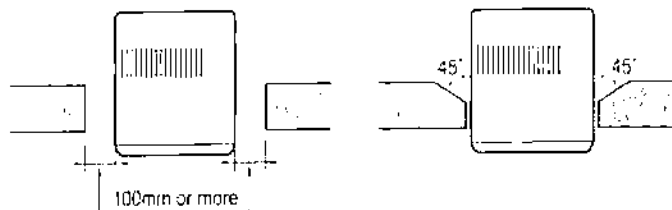
1. Check the cabinet and front grille of the unit for any harmful defects such as scratches.
2. Be sure to check the power supply.
 - Refer to the specifications on the label attached to the unit.

Installation Conditions

1. As the unit is heavy, the wall or window of the installation area should have sufficient strength and durability for operation of the air conditioner, and for prevention of any vibration or noise.
If it is weak, reinforcement work should be performed separately.
2. It is advisable to install the air conditioner in the north or west side to prevent the effect of direct sunlight.
When installing it in the south or east side due to unavoidable circumstances, it is advisable to install the sunshade to prevent the direct sunlight.
In this case, take care not to cause any hindrance to the flow of outside air.
3. When installing the air conditioner, be sure to obtain sufficient space on the rear side of the unit for smooth flow of air.
When operating the air conditioner in closed areas such as inner building with cooling operation, and result in trouble with the unit.
See I

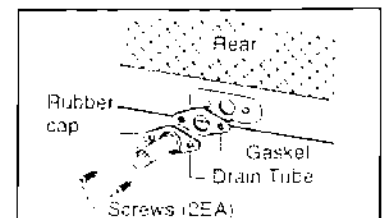


◆ If the wall is greater than 150mm thick, cut the wall back on a 45° angle if possible.



Installation of the Drain Tube


Fix the drain tube as shown in the figure





TROUBLE SHOOTING GUIDE

Before contacting the after-sales service, perform the following simple checks. They may save you the time and expense of an unnecessary call.

PROBLEM	EXPLANATION / SOLUTION
The air conditioner does not operate at all	<ul style="list-style-type: none">◆ Check that the circuit breaker used for the air conditioner has not been triggered.◆ Check that the power cable is plugged into a wall socket and the socket is switched on, if necessary.◆ Check that the correct operating mode has been selected.
The air conditioner does not cool	<ul style="list-style-type: none">◆ Set the temperature control dial to the desired position.◆ The room temperature may be too low.◆ Dust may be blocking the air filter; refer to page 9 for cleaning instructions.◆ Check that there is no obstacle blocking the air flow into or out of the unit.
The air flow direction does not change when you set the air flow blade swing switch to the  position (O)	<ul style="list-style-type: none">◆ Check that the air conditioner has been switched on; if necessary, turn the timer control dial.
Odours are permeated in the room during air conditioning	<ul style="list-style-type: none">◆ Air the room.