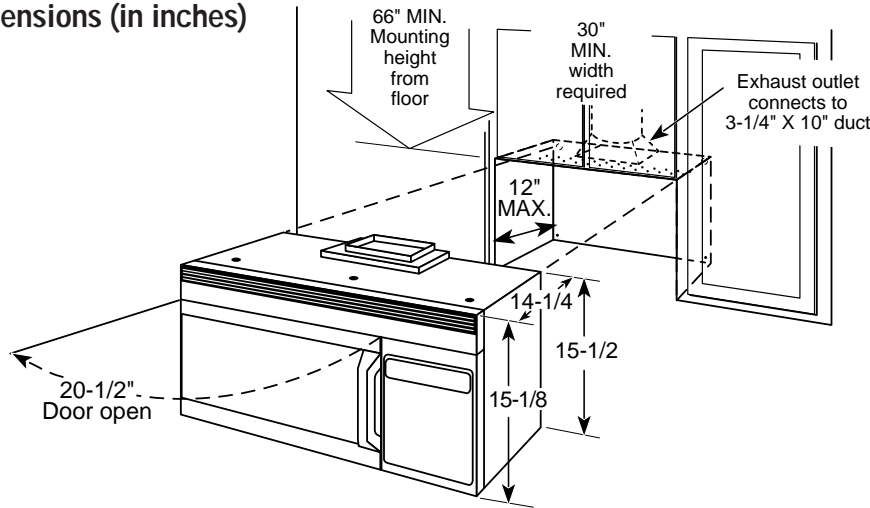




Profile Performance Series™

JVM1190WY—GE Profile Performance™ SpacemakerPlus™ 1.1 Cu. Ft. Microwave/Convection Oven

Dimensions (in inches)



Accessory Trim Kits	
Recirculating Charcoal Filter Kit	JX81
Filler Panel Kit	JX40WH
Decorative Panel Kit	JX22SS

Electrical Input @ 120V	
Watts	1300
Amperage	12.5

Note: Requires 120V grounded outlet. Electrical receptacle must be located in cabinet above SpacemakerPlus™ microwave/convection oven. No additional wiring, venting or cabinet rebuilding necessary in many cases. Complete detailed, easy-to-follow installation instructions and convenient full-size templates are packed with the SpacemakerPlus™ microwave/convection oven.

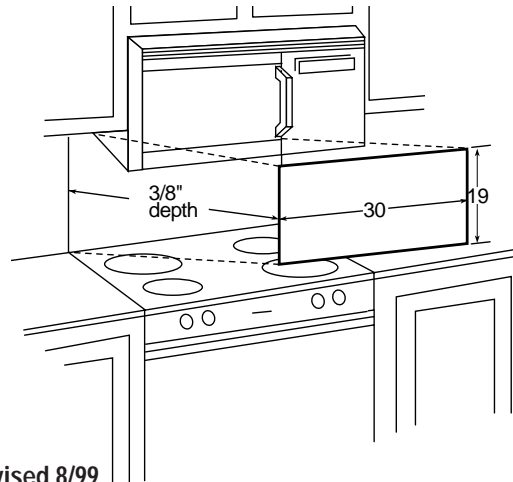
Important Information: When installing the SpacemakerPlus™ combination microwave/convection oven over a range, allow minimum of 2" from bottom of SpacemakerPlus™ microwave oven to top of range backguard to allow for removal of light covers.

Ventilation Options: The SpacemakerPlus™ microwave/convection ovens are designed for adaptation to the following three types of ventilation:

- Outside Exhaust (Vertical —as shown)
- Outside Exhaust (Horizontal)
- Recirculating (Non-vented ductless—see Filter Kit Drawing)

Installation Information: This information is not intended to be used for installing unit described. Before installing, consult installation instructions packed with product/kit for current dimensional data.

JX22SS—Stainless Steel Decorative Panel Kit



Specification Revised 8/99

For answers to your Monogram®, GE Profile Performance Series™, GE Profile™ or GE appliance questions, call GE Answer Center® service, 800.626.2000.





Profile Performance Series™

JVM1190WY—GE Profile Performance™ SpacemakerPlus™ 1.1 Cu. Ft. Microwave/Convection Oven

HOOD EXHAUST DUCT

Outside ventilation requires a HOOD EXHAUST DUCT. Read the following carefully.

EXHAUST CONNECTION: The hood exhaust has been designed to mate with a standard 3-1/4" x 10" rectangular duct. If a round duct is required, a rectangular-to-round transition adaptor must be used. Do not use less than a 6" diameter duct

REAR EXHAUST: If a rear or horizontal exhaust is to be used, care should be taken to align exhaust with space between studs, or wall should be prepared at the time it is constructed by leaving enough space between the wall studs to accommodate exhaust.

MAXIMUM DUCT LENGTH: For satisfactory air movement, the total duct length of 3-1/4" x 10" rectangular or 6" diameter round duct should not exceed 140 equivalent feet.

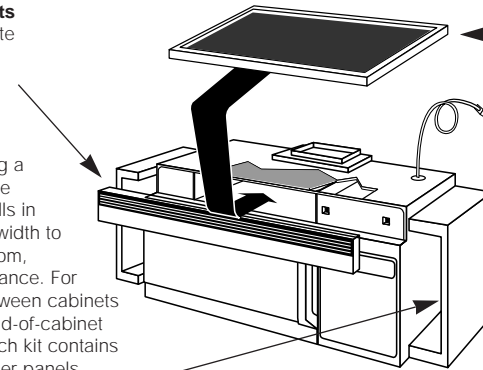
ELBOWS, TRANSITIONS, WALL AND ROOF CAPS, etc., present additional resistance to airflow and are equivalent to a section of straight duct which is longer than their actual physical size. When calculating the total duct length, add the equivalent length of all transitions and adaptors plus the lengths of all straight duct sections. The chart below shows the approximate feet of equivalent length of some typical ducts.

Duct	Equivalent Feet
A. Rectangular-To-round Transition Adaptor	5ft.
B. Wall Cap	40ft.
C. 90° Elbow	10ft.
D. 45° Elbow	5ft.
E. 90° Elbow	25ft.
F. 45° Elbow	5ft.
G. Roof Cap	24ft.

Optional Accessories (Available at additional cost)

Filler Panel Kits
JX40WH—White

When replacing a 36" or 42" range hood, this kit fills in the additional width to provide a custom, built-in appearance. For installation between cabinets only; not for end-of-cabinet installation. Each kit contains two, 3"-wide filler panels. Two kits are needed for a 42" opening.



Filter Kits

JX81—Recirculating Charcoal Filter Kit
To be used when the SpacemakerPlus™ microwave convection oven cannot be vented to the outside.

JX22SS—Stainless Steel Decorative Panel Kit

When replacing a Hi/Low range with a SpacemakerPlus™ microwave oven over a range model, this panel kit fills in the area between the microwave and range left by the Hi/Low model.

For answers to your Monogram®, GE Profile Performance Series™, GE Profile™ or GE appliance questions, call GE Answer Center® service, 800.626.2000.

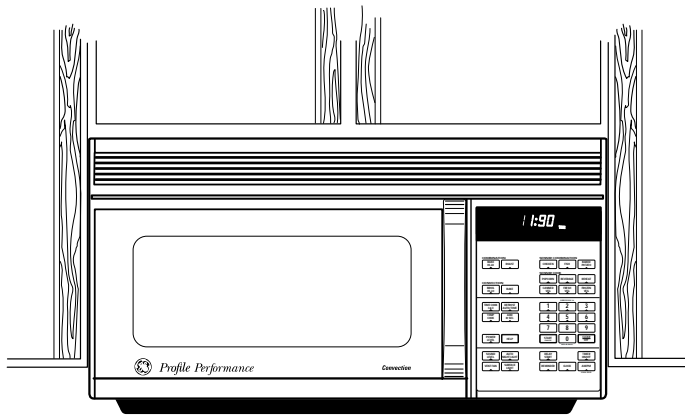


Listed by
Underwriters
Laboratories



Profile Performance Series™

JVM1190WY—GE Profile Performance™ SpacemakerPlus™ 1.1 Cu. Ft. Microwave/Convection Oven



Features and Benefits

- 1.1 cu. ft. Oven Capacity
- 825 Watts[®]
- Microwave / Convection Oven
- SmartControl System with Interactive Display and Help Pad
- Electronic Scrolling Display with Clock and AM/PM Pad
- Microwave Sensor Cooking Controls for Popcorn, Beverage, Reheat, Vegetables, Potatoes, Chicken, Fish and Meat
- Convection Controls for Convection Broil, Convection Cook (with Sensor Combination), Combination Cook and
- Combination Roast (Probe)
- Convection Rack / Broil Pan
- Micro Cook I & II
- Express Cook with Instant On Controls
- Auto Defrost / Time Defrost
- Variable Beeper Volume Control
- Auto Night Light
- 10 Power Levels
- Two-Speed, High-Capacity Exhaust Fan
- Model JVM1190WY—White on White
- Model JVM1190BY—Black on Black
- Model JVM1190AY—Almond on Almond
- Model JVM1190SY - Stainless steel
- Model JVM1190CB - Bisque

Specification Revised 8/99

*IEC-705 Test Procedure