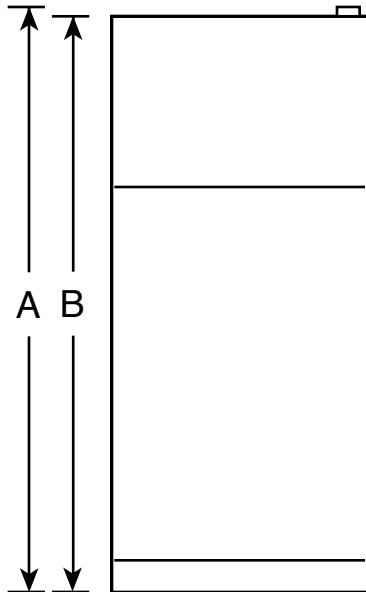


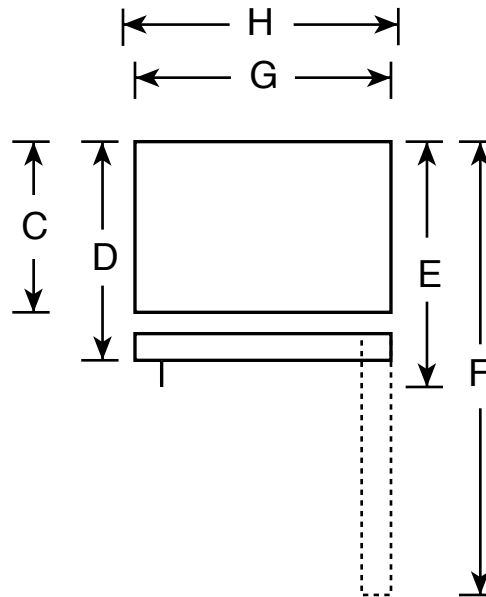
HOTPOINT®

HTS17GCS – Hotpoint® 16.6 Cu. Ft. Top-Freezer Refrigerator with Icemaker

Front View



Top View



Overall Dimensions	Height to top of hinge (in.) A	64-3/4
	Height to top of case (in.) B	64-1/4
	Height to mid-freezer (in.)	54-3/8
	Case depth without door (in.) C	25-7/8
	Case depth less door handle (in.) D	29-1/8
	Case depth with door handle (in.) E	31
	Depth with fresh food door open 90° (in.) F	54-7/8
	Width (in.) G	28
Air Clearances	Width with door open 90° with door handle (in.) H	30-1/2
	Each side (in.)	3/4
	Top (in.)	1
	Back (in.)	1

Note: Before installing, consult installation instructions packed with product for current dimensional data.

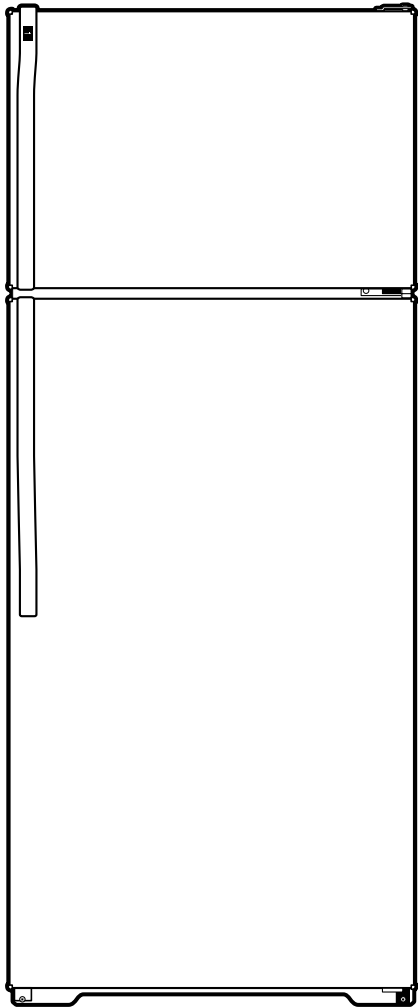
Note: All Top-Freezer No-Frost Right-Hand Refrigerator Doors: As you face the front of the refrigerator, the handle is on your left and the hinges are on your right.

All Top-Freezer No-Frost Left-Hand Refrigerator Doors: As you face the front of the refrigerator, the handle is on your right and the hinges are on your left.





HTS17GCS – Hotpoint® 16.6 Cu. Ft. Top-Freezer Refrigerator with Icemaker



Features and Benefits

- Upfront Temperature Controls - Are positioned up front, close at hand, for maximum convenience and ease of use
- Factory-Installed Icemaker - Makes ice automatically ensuring a ready supply
- Adjustable Glass Shelves - Lets consumers maximize usable storage space
- Gallon Door Storage - Makes room for milk and any other gallon size containers
- Vegetable/Fruit Crisper - For easy storage of fruits and vegetables
- NeverClean™ Condenser - Condenser coils are encased, so they don't require cleaning in normal operating environments
- Deluxe Quiet Design - Significantly reduces operating noise
- Model HTS17GCSWW – White on white