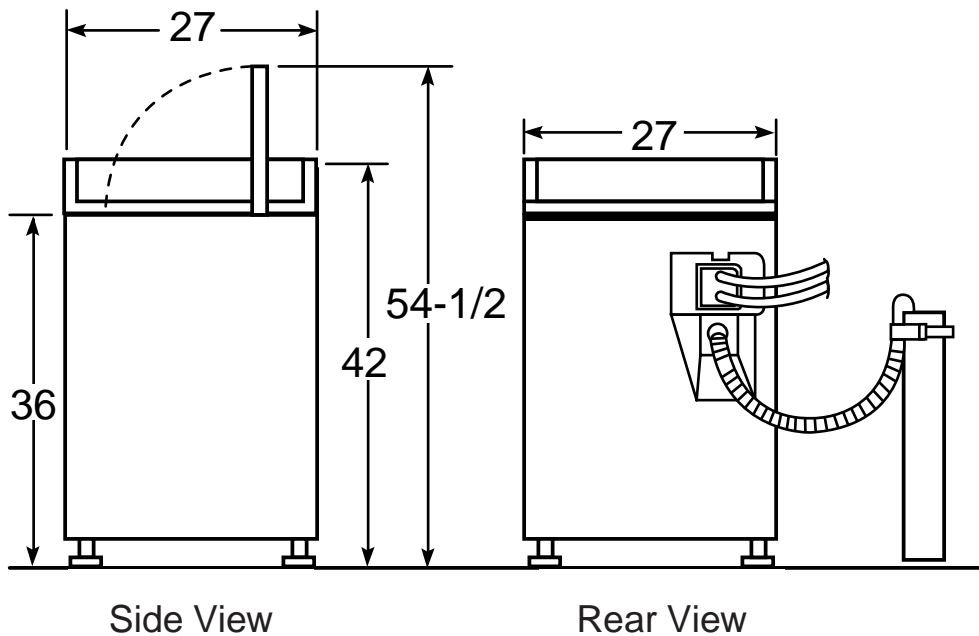


# HOTPOINT

## VVSR1040VWW—Hotpoint Super Capacity Washer

### Washer Dimensions (in inches)



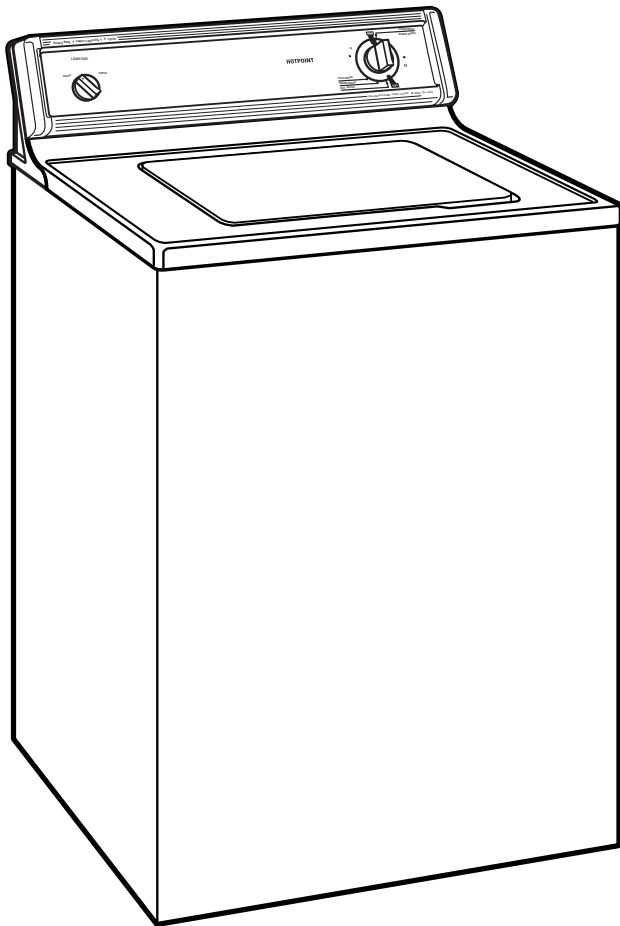
**Circuit Requirements:** An individual, properly-grounded branch circuit, with a three-prong grounding-type receptacle, protected by a 15 or 20 amp circuit breaker or a time-delay fuse, is required.

**Electrical Rating:** 115V, 60Hz, 10 Amps

**Installation Information:** Before installing, consult installation instructions packed with product for current dimensional data.

# HOTPOINT

## VVSR1040VWW—Hotpoint Super Capacity Washer



### Features and Benefits

- Super 32 (3.2 Cu. Ft.) Capacity
- 1 Wash/Spin Speed Combination
- 4 Cycle Selections: Permanent Press, Heavy Soil, Normal Soil and Light Soil
- 3 (Timer) Wash/Rinse Temperature Settings
- 2 Water Levels
- FlexCare™ Agitator
- Tuf Tub™ Basket
- Self-Cleaning Filter
- Balance Pro™ Suspension System
- Front Serviceable
- Model VVSR1040VWW - White on white