

# Haier

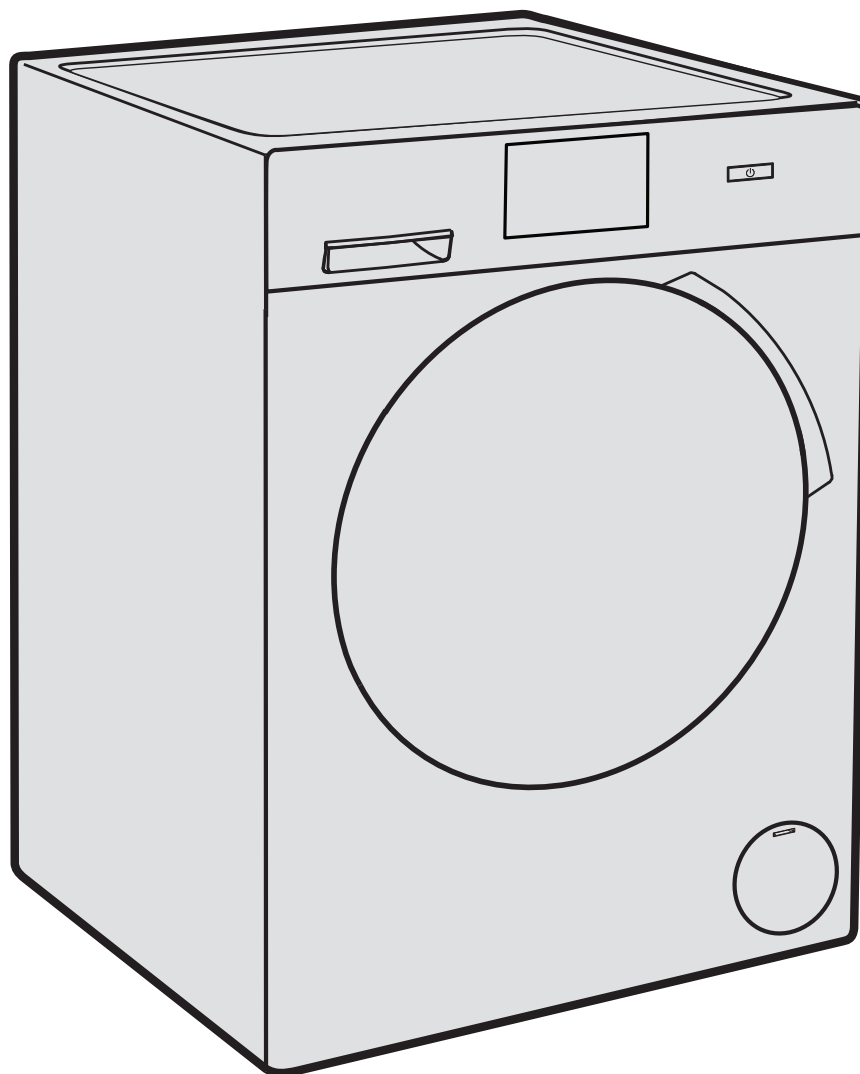
Owner's Manual &  
Installation Instructions

Manuel d'utilisation et  
Instruction d'installation

Manual del propietario y  
Instrucciones de instalación

Washers  
Laveuses  
Lavadoras

QFW150 Series/Séries/Serie



# TABLE OF CONTENTS

**SAFETY INFORMATION** ..... **3**

**USING THE WASHER** ..... **5**

    Getting started ..... 5

    Dispensers ..... 12

    Loading ..... 13

**CARE AND CLEANING** ..... **14**

**INSTALLATION INSTRUCTIONS** ..... **16**

**TROUBLESHOOTING TIPS** ..... **21**

**LIMITED WARRANTY** ..... **27**

**CONSUMER SUPPORT** ..... **28**

## RECORD KEEPING

Thank you for purchasing this Haier Appliances product. This Owner's Manual will help you get the best performance from your new washer.

For future reference, record the model and serial number located on a label inside the door.

Staple your proof of purchase to this manual to aid in obtaining warranty service if needed.

---

Model number

---

Serial number

---

Date of purchase

## SAFETY INFORMATION

### IMPORTANT SAFETY INFORMATION READ ALL INSTRUCTIONS BEFORE USING THE APPLIANCE

#### **⚠ WARNING**

To reduce the risk of death, fire, explosion, electric shock, or injury to persons when using your appliance, follow basic precautions, including the following:

- Read all instructions before using the appliance.
- Follow all fabric care instructions and warnings to prevent melting of garments or damage to the appliance.
- **DO NOT** wash or dry articles that have been previously cleaned in, washed in, soaked in or spotted with gasoline, dry-cleaning solvents, or other flammable or explosive substances, as they give off vapors that could ignite or explode.
- **DO NOT** add gasoline, dry-cleaning solvents, or other flammable or explosive substances to the wash water. These substances give off vapors that could ignite or explode.
- Under certain conditions, hydrogen gas may be produced in a hot-water system that has not been used for 2 weeks or more. **HYDROGEN GAS IS EXPLOSIVE.** If the hot water system has not been used for such a period, before using a washing machine, turn on all hot-water faucets and let the water flow from each for several minutes. This will release any accumulated hydrogen gas. As the gas is flammable, **DO NOT** smoke or use an open flame during this time.
- **DO NOT** allow children to play on or in this appliance. Close supervision of children is necessary when this appliance is used near children. Before the washer is removed from service or discarded, remove the door or lid. Failure to follow these instructions may result in death or injury to persons.
- **DO NOT** reach into the appliance if the tub or agitator is moving to prevent accidental entanglement.
- **DO NOT** install or store this appliance where it will be exposed to the weather.
- **DO NOT** tamper with controls, repair or replace any part of this appliance or attempt any servicing unless specifically recommended in the user maintenance instructions or in published user repair instructions that you understand and have the skills to carry out.
- **DO NOT** climb or stand on this unit.
- **DO NOT** operate this appliance if it is damaged, malfunctioning, partially disassembled, or has missing or broken parts including a damaged cord or plug.
- Unplug the appliance or turn off the circuit breaker before servicing. Pressing the **Power** button (⏻) **DOES NOT** disconnect power.
- See "ELECTRICAL REQUIREMENTS" located in the Installation Instructions for grounding instructions.

#### **Proper Disposal of your Appliance**

- Dispose of or recycle your appliance in accordance with Federal and Local Regulations. Contact your local authorities for the environmentally safe disposal or recycling of your appliance.

## READ AND SAVE THESE INSTRUCTIONS

## SAFETY INFORMATION

### IMPORTANT SAFETY INFORMATION READ ALL INSTRUCTIONS BEFORE USING THE APPLIANCE

#### PROPER INSTALLATION

This washer must be properly installed and located in accordance with the Installation Instructions before it is used.

- Ensure that the hot water hose is connected to the "H" valve and the cold water hose is connected to the "C" valve.
- Install or store where it will not be exposed to temperatures below freezing or exposed to the weather, which could cause permanent damage and invalidate the warranty.
- Properly ground washer to conform with all governing codes and ordinances. Follow details in the Installation Instructions.
- Ensure washer is properly leveled and washer legs are adjusted such that unit is stable.
- Optional drain hose extension recommended for discharging heights from 60" - 96".
- Haier Appliances strongly recommends the use of factory specified parts. A list of factory hoses available for purchase are listed. These hoses are manufactured and tested to meet Haier Appliances specifications.
- Haier Appliances strongly recommends the use of new water supply hoses. Hoses degrade over time and need to be replaced every 5 years to reduce the risk of hose failures and water damage.
- Consider recycling options for your appliance packaging material.

#### WHEN NOT IN USE

- Turn off water faucets to minimize leakage if a break or rupture should occur. Check the condition of the fill hoses; Haier Appliances recommends changing the hoses every 5 years.

#### PARTS AND ACCESSORIES

Visit our website at [haierappliances.com/parts](http://haierappliances.com/parts) or in Canada visit [haiercanada.ca/parts](http://haiercanada.ca/parts).

| Part Number | Accessory                       |
|-------------|---------------------------------|
| PM14X10002  | 4 ft rubber water supply hoses  |
| <b>Or</b>   |                                 |
| PM14X10005  | 4 ft braided water supply hoses |
| WX10X10011  | Tide® Washing Machine Cleaner*  |
| PM7X1       | Washer Floor Tray               |

\*Tide® is a registered trademark of Procter & Gamble

## READ AND SAVE THESE INSTRUCTIONS

# USING THE WASHER

Features and appearance will vary throughout this manual

## ⚠ WARNING

To reduce the risk of fire, electric shock, or injury to persons, read the IMPORTANT SAFETY INFORMATION before operating this appliance.

### Step 1

(Appearance will vary)



- Add fabric softener to the fabric softener dispenser; see page 10.
- Add the manufacturer's recommended amount of detergent. Haier Appliances recommends the use of High Efficiency detergents such as in your energy efficient washer. Place detergent pods in the bottom of the wash basket before adding clothes.

### Step 2



- Loosely add items. Overloading may negatively impact wash performance. See page 11 for suggested loading examples.
  - Close door.
- NOTE:** Washer will not start with door open.

### Step 3



- If the screen is dark, press and hold the Power button for 2 seconds to "wake up" the display.

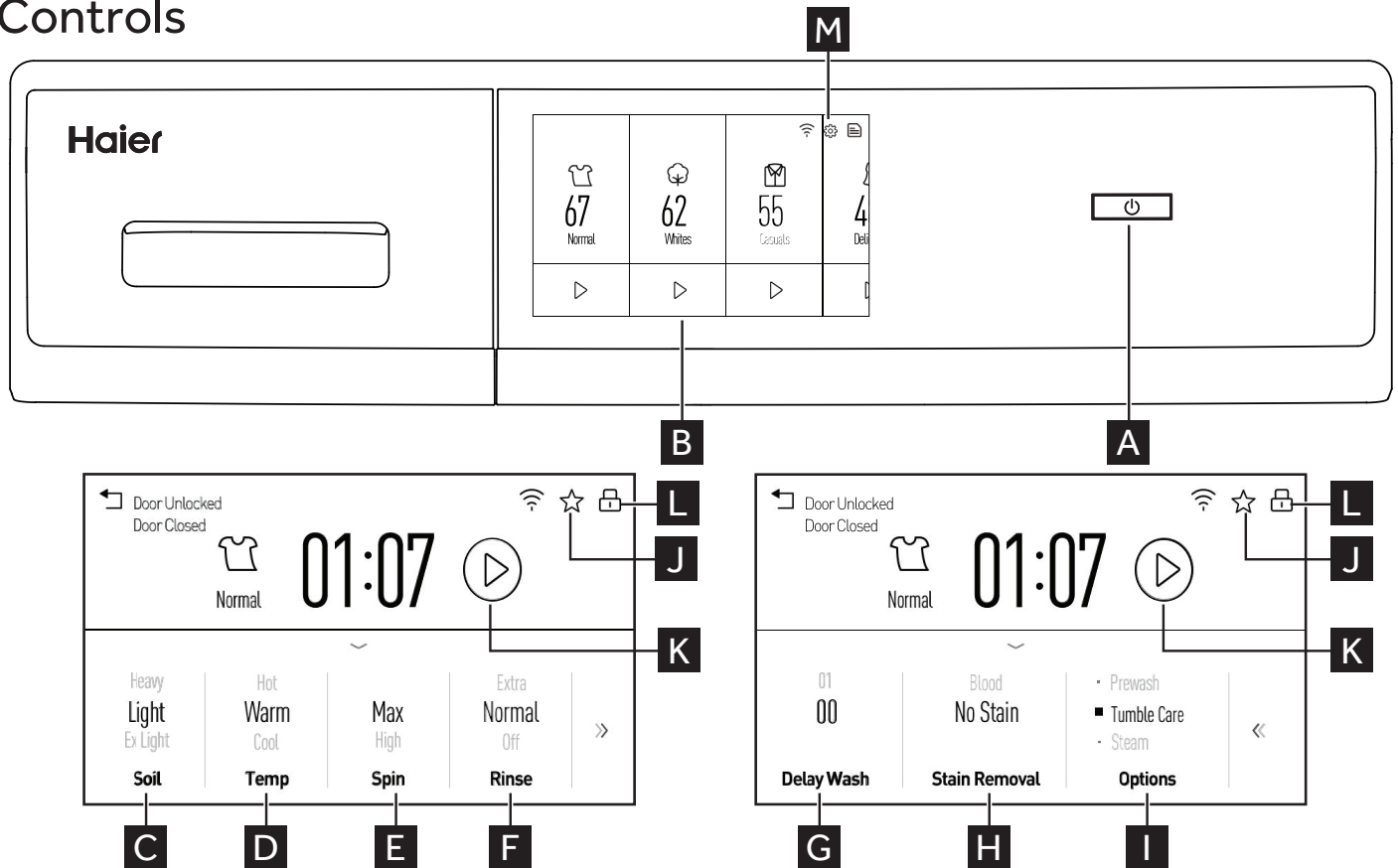
### Step 4



- Select a wash cycle. (Defaults are set for each wash cycle. These default settings can be changed. See Control settings for more information.)
- Press the Start button for 1 second.

\*Instructions can also be found by touching the document (📄) icon, on the cycle selection screen, in the top right corner.

## Controls



# USING THE WASHER

## Display and Status Lights

The display shows the approximate time remaining until the end of the cycle.

**In addition, this display will show the washer status:**

| Status                   | Fill >> Wash >> Rinse >> Spin  |
|--------------------------|--|
| Lock Symbol              | Controls lock feature.   |
| Estimated Time Remaining | Display shows the estimated time remaining until set cycle is completed. |
| Ext Tumble               | Indicates the Extended Tumble feature is set.                            |
| Delay Wash               | Indicates Delay Wash set time is selected.                               |
| PreWash                  | Indicates PreWash is selected.   |
| Steam                    | Indicates Steam is selected.   |
| Tumble Care              | Indicates Tumble Care is selected.                                       |

**NOTE:** If an out-of-balance condition is detected by the washer, an **Out-of-Balance indicator** will appear and blink during the remaining portion of the cycle. It will stay illuminated for a short time after cycle completion. When this occurs, the washer is taking actions to correct the out-of-balance condition and complete the cycle normally. In some cases, the washer may not be able to balance the load and spin up to full speed. If you notice the load is more wet than usual at the end of the cycle, redistribute the load evenly in the wash tub and run a **Drain+Spin** cycle.

### A Power

Press and hold for 2 seconds to "wake up" the display. If the display is active, press and hold for 2 seconds to turn the washer off.

**NOTE:** Pressing **Power** does not disconnect the appliance from the power supply.

### B Wash Cycles

The wash cycles are optimized for specific types of wash loads. The chart below will help you match the wash setting with the loads. The Gentle Wash™ lifters lightly tumble the clothes into the water and detergent solution to clean the load.

| Items to Wash   | Cycle   | Soil Level  | Wash Temp                                       | Spin Selection   | Options Available   | Cycle Details   |
|---|---------|---|---|--|---|---|
| Cycle for normal, regular, or typical use for washing up to a full load of normally soiled cotton clothing. | Normal  | Ex. Heavy<br>Heavy<br><b>Normal</b><br>Light<br>Ex. Light | Extra Hot<br>Hot<br><b>Warm</b><br>Cool<br>Cold | <b>Max</b><br>High<br>Medium<br>No Spin                                    | Extra Rinse<br>Delay Wash<br>Stain Removal Guide<br>Time Saver<br>Prewash<br>Tumble Care<br>Steam<br>My Cycle | Cycle for normal, regular, or typical use for washing up to a full load of normally soiled cotton clothing.<br>Choose the Heavy or Extra Heavy soil level selection and Warm or Hot water temperature selection as appropriate for your clothes load for a higher degree of cleaning. |
| Whites and household linens.  | Whites  | Ex. Heavy<br>Heavy<br><b>Normal</b><br>Light<br>Ex. Light | Extra Hot<br>Hot<br><b>Warm</b><br>Cool<br>Cold | <b>Max</b><br><b>High</b><br><b>Medium</b><br><b>Low</b><br><b>No Spin</b> | Extra Rinse<br>Delay Wash<br>Stain Removal Guide<br>Time Saver<br>Prewash<br>Tumble Care<br>Steam<br>My Cycle | Cycle tailored to clean and brighten your whites.   |
| Casual clothes, lightly soiled office wear.   | Casuals | Ex. Heavy<br>Heavy<br><b>Normal</b><br>Light<br>Ex. Light | Extra Hot<br>Hot<br><b>Warm</b><br>Cool<br>Cold | <b>Max</b><br><b>High</b><br>Medium<br>Low<br>No Spin                      | Extra Rinse<br>Delay Wash<br>Stain Removal Guide<br>Time Saver<br>Prewash<br>Tumble Care<br>Steam<br>My Cycle | Wash cycle tailored to care for casual clothes and office wear items.   |

# USING THE WASHER

## B Wash Cycles - Continued

| Items to Wash   | Cycle           | Soil Level  | Wash Temp                                       | Spin Selection                                 | Options Available  | Cycle Details  |
|---|-----------------|---|---|--|--|--|
| Lingerie and special care fabrics with light soil.                              | Delicates       | Ex. Heavy<br>Heavy<br><b>Normal</b><br>Light<br>Ex. Light | Warm<br>Cool<br><b>Cold</b>                     | High<br><b>Medium</b><br>Low<br>No Spin        | Extra Rinse<br>Delay Wash<br>Stain Removal<br>Guide<br>Time Saver<br>Prewash<br>Tumble Care<br><br>My Cycle      | For lightly soiled items labeled handwashable. Provides gentle tumbling and soak during wash and rinse.  |
| Sturdy fabrics with heavy to medium soil.                                       | Bulky Items     | Ex. Heavy<br><b>Heavy</b><br>Normal<br>Light<br>Ex. Light | Extra Hot<br>Hot<br><b>Warm</b><br>Cool<br>Cold | <b>Max</b><br>High<br>Medium<br>Low<br>No Spin | Extra Rinse<br>Delay Wash<br>Stain Removal<br>Guide<br>Time Saver<br>Prewash<br>Tumble Care<br>Steam<br>My Cycle | Incorporates multi-step wash and soak periods combined with extended wash periods to effectively clean heavily to medium soiled sturdy fabrics.                            |
| Towels, sheets, pillowcases and dish rags.                                      | Towels & Sheets | Ex. Heavy<br>Heavy<br><b>Normal</b><br>Light<br>Ex. Light | Extra Hot<br>Hot<br><b>Warm</b><br>Cool<br>Cold | <b>Max</b><br>High<br>Medium<br>Low<br>No Spin | Extra Rinse<br>Delay Wash<br>Stain Removal<br>Guide<br>Time Saver<br>Prewash<br>Tumble Care<br>Steam<br>My Cycle | Cycle designed for washing towels, sheets, pillowcases and dish rags. It is recommended that towels and sheets be washed separately for best care and washing performance. |
| Denim or heavy cotton canvas textiles.  | Jeans           | Ex. Heavy<br>Heavy<br><b>Normal</b><br>Light<br>Ex. Light | Extra Hot<br>Hot<br><b>Warm</b><br>Cool<br>Cold | <b>Max</b><br>High<br>Medium<br>Low<br>No Spin | Extra Rinse<br>Delay Wash<br>Stain Removal<br>Guide<br>Time Saver<br>Prewash<br>Tumble Care<br>Steam<br>My Cycle | Incorporates multi-step wash and soak periods intended to optimize the washing of denim and heavy canvas textiles.   |
| Medium to lightly soiled athletic wear items of technical or synthetic fabrics. | Active Wear     | Ex. Heavy<br><b>Heavy</b><br>Normal<br>Light<br>Ex. Light | Extra Hot<br>Hot<br>Warm<br><b>Cool</b><br>Cold | Max<br><b>High</b><br>Medium<br>Low<br>No Spin | Extra Rinse<br>Delay Wash<br>Stain Removal<br>Guide<br>Time Saver<br>Prewash<br>Tumble Care<br>Steam<br>My Cycle | Cycle designed for care of medium to lightly soiled active wear, athletic wear and technical fabrics.  |
| Garments with wool contents.  | Wool            | Ex. Heavy<br><b>Heavy</b><br>Normal<br>Light<br>Ex. Light | <b>Cool</b><br>Cold                             | <b>Low</b><br>No Spin                          | Extra Rinse<br>Delay Wash<br><br>Time Saver<br>Prewash<br>Tumble Care<br><br>My Cycle                            | Balances cool water with gentle agitation and low spin intended to safely clean wool fabrics.  |
| Small garments such children's clothes.   | Baby Care       | Ex. Heavy<br>Heavy<br>Normal<br><b>Light</b><br>Ex. Light | Extra Hot<br>Hot<br><b>Warm</b><br>Cool<br>Cold | Max<br>High<br><b>Medium</b><br>Low<br>No Spin | Extra Rinse<br>Delay Wash<br>Stain Removal<br>Guide<br>Time Saver<br>Prewash<br>Tumble Care<br>Steam<br>My Cycle | Wash cycle tailored to care for children's clothes and other small items.  |

# USING THE WASHER

## B Wash Cycles - Continued

| Items to Wash   | Cycle      | Soil Level  | Wash Temp                          | Spin Selection                                 | Options Available   | Cycle Details   |
|---|------------|---|------------------------------------|--|---|---|
| Small loads of lightly soiled items that are needed in a hurry.                 | Quick Wash | Ex. Heavy<br>Heavy<br>Normal<br>Light<br><b>Ex. Light</b> | Hot<br><b>Warm</b><br>Cool<br>Cold | <b>Max</b><br>High<br>Medium<br>Low<br>No Spin | Extra Rinse<br>Delay Wash<br>Stain Removal<br>Guide<br><br>Prewash<br>Tumble Care<br><br>My Cycle | For cleaning lightly soiled loads in the fastest time possible. Cycle time is approximately 33 minutes, depending on selected options.  |
| Heavily soiled colorfast items with the need for sanitization.                  | Sanitize   | Ex. Heavy<br>Heavy<br><b>Normal</b><br>Light<br>Ex. Light | <b>Extra Hot</b>                   | <b>Max</b><br>High<br>Medium<br>Low<br>No Spin | Extra Rinse<br>Delay Wash<br>Stain Removal<br>Guide<br><br>Prewash<br>Tumble Care<br><br>My Cycle | Use this cycle to eliminate 99.9% of bacteria from fabrics. Cycle uses an increased water temperature and a longer wash cycle to provide the sanitization benefit. A longer rinse is incorporated to remove contaminants. For best results, select the Extra Heavy soil selection if available. See NOTE.   |
| For removing common allergens such as dust mites and pet dander.                | Allergen   | Ex. Heavy<br>Heavy<br><b>Normal</b><br>Light<br>Ex. Light | <b>Extra Hot</b>                   | <b>Max</b><br>High<br>Medium<br>Low<br>No Spin | Extra Rinse<br>Delay Wash<br>Stain Removal<br>Guide<br><br>Prewash<br>Tumble Care<br><br>My Cycle | Use this cycle to remove common allergens such as dust mites and pet dander. Cycle uses an increased water temperature and a longer wash cycle to provide the sanitization benefit. A pump purge and longer rinse is incorporated to remove contaminants. For best results, select the Extra Heavy soil selection if available. Extra Rinse is on by default. See NOTE below for more details. Extra Rinse is Default |
| For items that need only to be rinsed, use this cycle.                          | Rinse+Spin |   |                                    | <b>Max</b><br>High<br>Medium<br>Low<br>No Spin | Extra Rinse<br>Delay Wash   | To quickly rinse and spin out any items at any time. Utilizes a high speed spin to extract water from wet items.  |
| For items that need to quickly drain and spin out, use this cycle.              | Drain+Spin |   |                                    | <b>Max</b><br>High<br>Medium<br>Low<br>No Spin | Delay Wash  | To quickly drain and spin out any items at any time. Utilizes a high speed spin to extract water from wet items.  |
| Cleaning the tub of residue and odor. No clothes to be washed using this cycle. | Tub Clean  |   |                                    |  |   | Recommended use of at least once per month to clean the basket of residue and odor. Never load laundry when using this cycle; laundry may become damaged. Cycle incorporates a hot extended wash, intense agitation action and a flush out of the pump.   |

**NOTE:** The **Sanitize** and **Allergen** cycle water temperatures CANNOT be changed. The **Sanitize** cycle is certified by NSF International, an independent third party testing and certification organization.

The **Sanitize** certification verifies that the cycle reduced 99.9% of bacteria typically found in residential laundry and that no significant contamination is transferred to subsequent washer loads. Only the **Sanitize** cycle has been designed to meet the requirements of NSF Protocol P172 for sanitizing effectiveness.



NSF Protocol P172  
Sanitization Performance of Residential and Commercial, Family-Sized Clothes Washers

The **Allergen** certification verifies that the cycle reduced at least 95% of dust mites and pet dander. Only the **Allergen** cycle has been designed to meet the requirements of NSF Protocol P351 for allergen reducing effectiveness.



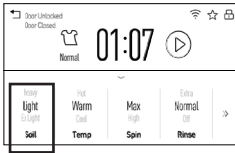
NSF Protocol P351  
Allergen Reduction Performance of Residential and Commercial, Family-Sized Clothes Washers



# USING THE WASHER

C

## Soil



Changing the **Soil** level increases or decreases the wash time to remove different amounts of soil. To change the **Soil** level, locate the **Soil** level section on the cycle screen and scroll up or down until you have reached the desired setting. You can choose between Extra Light, Light, Normal, Heavy or Extra Heavy soil.

D

## Temp



Adjust to select the proper water temperature for the wash cycle. The rinse water is always cold to help reduce energy usage and reduce setting of stains and wrinkles.

Follow the fabric manufacturer's care label when selecting the wash temperature.

To change the wash temperature, locate the **Temp** section on the cycle screen and scroll up or down until you have reached the desired setting. You can choose between Cold, Cool, Warm, Hot or Extra Hot.

E

## Spin



Changing the **Spin** setting changes the final spin speed of the cycles. Always follow the garment manufacturer's care label when changing the **Spin** setting.

To change the **Spin** setting, locate the spin section on the cycle screen and scroll up or down until you have reached the desired setting. You can choose between No Spin, Low, Medium, High or Max.

Higher spin speeds remove more water from the clothes and will help reduce dry time, but may also increase the possibility of setting wrinkles on some fabrics.

F

## Rinse



Changing **Rinse** will change the number of rinses the cycle will use. To change the rinse option, locate the Rinse section on the cycle screen and scroll up or down until you have reached the desired setting. You can choose between Normal, Extra and no rinse.

G

## Delay Wash



Use to delay the start of your washer.

1. Choose your wash cycle and any options.
2. In the **Delay Wash** section you can change the delay time in 1 hour increments up to 24 hours.
3. Press and hold the **Start** button for 1 seconds to start the countdown. The selected delay time will not be shown on the screen. Only the estimated cycle time will be visible. Once the delayed time period has been completed, the selected dry cycle will start.

**NOTE:** If the door is opened while the dryer is in **Delay Wash**, the countdown time will not restart unless the door is closed and **Start** button has been pressed again.

# USING THE WASHER

H

## Stain Removal Guide



The Stain Removal guide is pre-programmed with the ideal wash and rinse settings to tackle five common stains. To use this feature, select the desired wash cycle and locate the **Stain Removal** guide menu and select the stain you want to remove. Next, press **Start**.

For some stains, a prewash will be selected automatically. If desired, add detergent or wash additive to the prewash dispenser. **Add Steam** cannot be selected along with this feature.

I

## Options

### Prewash



Prewash is an extra wash before the main wash. Use it for heavily soiled clothes or for clothes with a care label that recommends prewashing before washing. Be sure to add liquid or powder high efficiency detergent, or the proper wash additive to the prewash dispenser. The **PreWash** feature will fill the washer with water (adding the prewash detergent), tumble the clothes, drain and spin. Then the washer will run the selected wash cycle. **NOTE:** The **PreWash** is not selected automatically and must be selected before starting the cycle.

### Tumble Care

Freshly tumbles your garments periodically for up to 8 hours after the wash cycle is complete to lessen the setting of wrinkles and creases when you are not able to move clothing to the dryer right away. At the end of the cycle, the display will scroll "END" and after ten minutes the **Tumble Care** will begin. It can be stopped at any time by pressing the **Power** button. **NOTE:** The **Tumble Care** option cannot be added to the **My Cycle** feature.

### Steam

Steam adds steam into the washer early in the cycle to assist with loosening stains on the **Whites, Normal, Casuals, Bulky Items, Jeans, Towels/Sheets, Active Wear, and Baby Care** cycles.

To use:

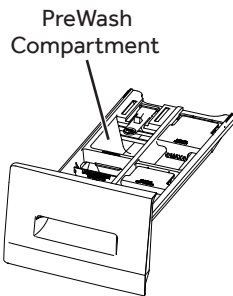
1. Turn power **ON** and select a wash cycle which has **Steam** as an option.
2. Select the **Add Steam** button to activate steam.
3. Press the **Start/Pause** button.

### Time Saver

Use this option to reduce the overall wash cycle by at least 20% without sacrificing wash performance. This feature is available on all cycles except **Quick Wash, Sanitize, Allergen, Rinse+Spin, Drain+Spin, and TubClean**. This option will modify the wash cycle, slightly raising the wash temperature and using more water to deliver equal wash performance as the basic cycle. All other features, such as **Prewash, Extra Rinse, Add Steam, etc.** can be used with **Time Saver** but may adjust the total wash time.

To use:

1. Turn power on and select a wash cycle which has **Time Saver** as an option.
2. Make any adjustments to **Soil, Temp** and **Spin** as desired.
3. Press the **Time Saver** button to reduce the overall wash time.
4. Press the **Start/Pause** button.



J

## My Cycle



Set up your favorite combination of settings for each cycle and save them here for one touch recall. These custom settings can be set while a cycle is in progress.

**NOTE:** You can store 1 **My Cycle** combination of settings for each cycle.

### To store a My Cycle combination of settings:

1. Select your washing cycle.
2. Change **Temp** and **Level** settings to fit your needs.
3. Select any washing options you want.
4. Press and hold the ☆ for 3 seconds to store your selection. A beep will sound and the button will light up.

### To recall your stored My Cycle combination:

Select the cycle and press the ☆ before washing a load.

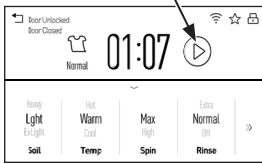
### To change your stored My Cycle combination:

Repeat steps 1–4.

# USING THE WASHER

K

Start cycle



## Start/Pause

Press to start a wash cycle. If the washer is running, pressing it once will pause the washer and unlock the door. This function can be used to add garments during a cycle. Press again to restart the wash cycle.

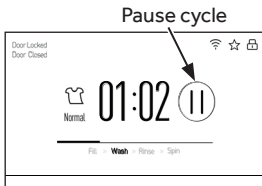
### Start

Press and hold for 1 second to start or restart a cycle.

### Pause

If the washer is running, press and hold for 1 second to pause the cycle. This function can be used to add garments during a cycle.

**NOTE:** If the washer is paused and the cycle is not restarted within 15 minutes, the current wash cycle will be cancelled.



L

Lock Symbol



## Lock

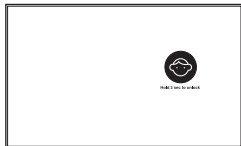
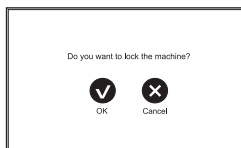
You can lock the controls to prevent any selections from being made. Or you can lock or unlock the controls after you have started a cycle.

Children cannot accidentally start the washer by touching pads with this option selected.

**To lock the washer controls,** press and hold the lock symbol (🔒) in the top right corner for 3 seconds and a lock screen will appear asking if you want to lock the machine.

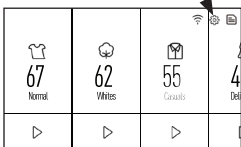
To unlock the washer controls, press and hold the unlock symbol (🔓) for 3 seconds and the lock screen will disappear.

**NOTE:** The **Power** button can still be used when the machine is locked.



M

Gear Symbol



## Settings

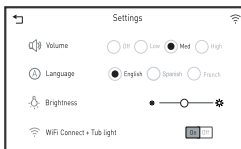
Select the gear symbol (⚙️) in the top right corner to enter the **Settings** screen.

### Volume

When the control panel is powered on, the washer will beep at the end of the cycle and every time you press a button on the control panel.

Use the options pad to select either High, Med, Low, or Off.

**NOTE:** The selected volume is for both end of cycle and pad sounds.



### Language

Use the **Option** pad to select either English, Spanish, or French.

### Brightness

To change the brightness of the screen, use the brightness slider to change from darker to brighter.

### WiFi Connect + Tub Light

Use the **WiFi Connect + Tub Light** toggle button to turn this feature on or off. Toggling this feature on will enable the WiFi Connect function and enable the usage of the tub light when the door is opened & closed. Follow the directions on the Wifi Connect screen using the information provided to connect with the GEA Laundry App. Toggling this feature off will disable the Wifi Connect function and disable the tub light.



**NOTE:** When the washer to set up with the GEA Laundry App, new software may be available to install. After approving the installation of the new software through the GEA Laundry App, the washer tub light will flash on and off during the software installation. The washer tub light will stop flashing and turn off after the software is done installing.

# USING THE WASHER

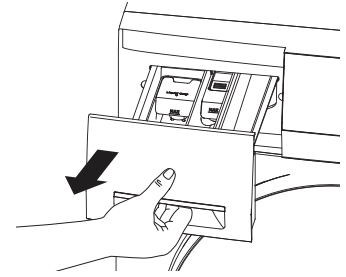
## Dispenser Drawer

Slowly open the dispenser drawer by pulling it out until it stops.

After adding laundry products, slowly close the dispenser drawer. Closing the drawer too quickly could result in early dispensing of the fabric softener or detergent.

You may see water in the fabric softener compartment at the end of the cycle. This is a result of the flushing/siphoning action and is part of the normal operation of the washer.

Use only HE  
High-Efficiency  
detergent



## Detergent Compartment

- Only use high-efficiency detergent in this washer. Use the detergent manufacturer's recommended amount. DO NOT fill above the MAX line.
- Detergent is flushed from the dispenser at the beginning of the wash cycle. Either powdered or liquid high-efficiency detergent can be used.
- Detergent usage may need to be adjusted for water temperature, water hardness, size and soil level of the load. Avoid using too much detergent in your washer since it can lead to oversudsing and detergent residue being left on the clothes.

### Divider Drawer System (on some models)

The detergent compartment is in the **front left** of the dispenser drawer.

#### • Powder Detergent –

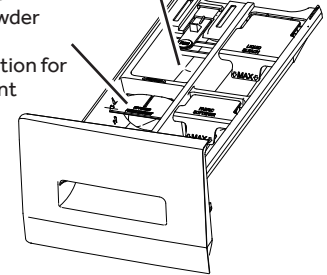
Lock the detergent card flat into its top position in the compartment. Make sure the card is locked, then pour the suggested amount of powder detergent into the detergent dispenser.

#### • Liquid Detergent –

Lock the detergent card vertically into its center position in the compartment. Make sure the card is locked, then pour the suggested amount of liquid detergent into the detergent dispenser.

PreWash Compartment (no cup) – Use for Liquid and Powder Detergent

Lock in HORIZONTAL position for Powder Detergent and VERTICAL position for Liquid Detergent

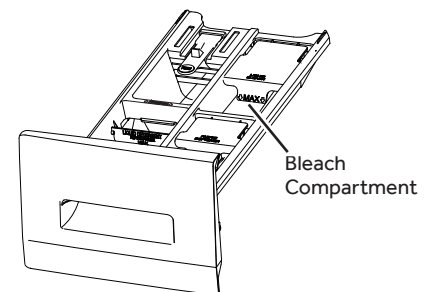


## Bleach Compartment

If desired, measure out the recommended amount of liquid bleach, not to exceed 1/3 cup (80 ml), and pour into the right compartment labeled "LIQUID BLEACH".

Do not exceed the maximum fill line. Overfilling can cause early dispensing of the bleach which could result in damaged clothes.

**NOTE:** Do not use powdered bleach in the dispenser.



## Fabric Softener Compartment

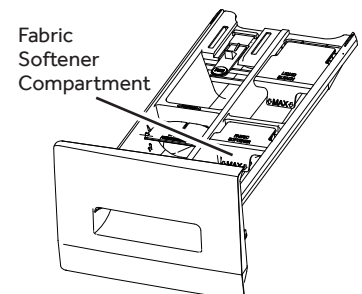
If desired, pour the recommended amount of liquid fabric softener into the compartment labeled "Fabric Softener."

Use only liquid fabric softener in the dispenser.

Dilute with water to the maximum fill line.

Do not exceed the maximum fill line. Overfilling can cause early dispensing of the fabric softener, which could stain clothes.

**NOTE:** Do not pour fabric softener directly on the wash load.



# LOADING

Always follow fabric manufacturer’s care label when laundering.

## Sorting Wash Loads

Sort by color (whites, lights, colors), soil level, fabric type (sturdy cottons, easy care, delicates) and whether the fabric produces lint (terry cloth, chenille) or collects lint (velveteen, corduroy). Wash lint producers such as cotton towels and socks separate from lint collectors including synthetic garments and dress pants.

**⚠ WARNING  - Fire Hazard**

**DO NOT** wash fabrics soiled with flammable liquids or cleaning solvents.

No washer can completely remove oil.

**DO NOT** wash or dry anything that has been soaked in or spotted with any type of oil (including cooking oils).

**DO NOT** reach into the washer until all moving parts have stopped.

Doing so can result in death, explosion, fire or amputation.

## Loading the Washer

The wash drum may be fully loaded with loosely added items.

To add items after the washer has started, press **Pause** and wait until the door is unlatched. The washer may take up to 30 seconds to unlock the door after pressing **Pause**, depending on the machine conditions. Do not try to force open the door when it is locked. After the door unlocks, open gently. Add items, close the door and press **Start** to restart.

The wash drum may be fully loaded with loosely added items.

## Loading Examples

| WORKWEAR   | LINENS  | MIXED LOAD   | DELICATES*  | QUICK WASH<br>(2-3 GARMENTS)   |
|--|---|--|---|--|
| 3 Jeans<br>3 Work Wear Shirts<br>2 Work Wear Pants | 1 Bath Sheet<br>6 Bath Towels/<br>8 Washcloths<br>4 Hand Towels/<br>1 Terrycloth Bath Mat<br><b>OR</b><br>1 Flat Queen-Sized Sheet<br>1 Fitted Queen-Sized Sheet<br>2 Pillowcases | 2 Pillowcases<br>1 Hand Towel<br>1 Flat Sheet/<br>1 Fitted Sheet<br>2 Bath Towels/<br>2 Washcloths<br><b>OR</b><br>4 Shirts (Men’s or Women’s)<br>3 Pair Pants (Khakis or Twills)<br>3 T-shirts<br>4 Pairs of Boxers<br>2 Pairs of Shorts<br><b>OR</b><br>4 T-shirts<br>2 Pairs of Sweatpants<br>2 Sweatshirts<br>1 Hoodie<br>5 Pairs of Socks | 4 Bras<br>4 panties<br>2 Slips<br>1 Camisole<br>3 Nightgowns<br>*Using a nylon mesh bag for small items is recommended. | 2 Casual Wear Work Shirts<br>1 Pair Casual Wear Work Pants<br><b>OR</b><br>3 Soccer Uniforms |

# CARE AND CLEANING

## Water Supply Hoses

Periodically inspect all water inlet hoses for water leaks, wear, cuts, corrosion, and bulges. Replace all hoses immediately if any sign of these failures appear. All hoses should be replaced every 5 years of use to reduce risk of hose failures and possible water damage. When replacing hoses, refer to the Installation Instructions for proper installation. **DO NOT** overtighten or cross thread fittings. **DO NOT** allow the hose to rub against sharp objects, become kinked, or become over stretched. Always ensure hose rubber gaskets are installed and free from leaks when pressurized.

## Exterior

Immediately wipe off any spills. Wipe with damp cloth. Wipe or dust spills or washing compounds with a damp cloth. Washer control panel and finishes may be damaged by some laundry pretreatment and stain remover products. Apply these products away from the washer. The fabric may then be washed and dried normally. Damage to your washer caused by these products is not covered by your warranty. Do not hit surface with sharp objects.

## Interior

Dry around the washer door opening, flexible gasket (including attached hoses) and door glass. These areas should always be clean to ensure a watertight seal.

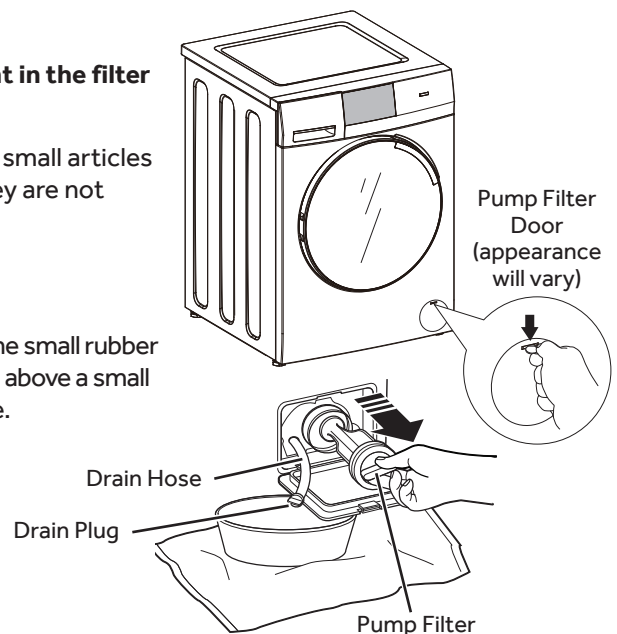
It is recommended to rinse the washer at least once per month with 1 cup of bleach (or other commercially available product manufactured for this purpose, such as Tide® Washing Machine Cleaner) poured directly into the basket without clothes and using the  **Tub Clean Cycle**.

## Pump Filter

**Clean EVERY MONTH to remove any items that may have been caught in the filter or housing.**

Due to the nature of the front-load washer, it is sometimes possible for small articles to pass to the pump. The washer has a filter to capture lost items so they are not dumped to the drain. To retrieve lost items, clean out the pump filter.

- 1 Open the door on the bottom right of the front of the unit.
- 2 Twist the small white cap counterclockwise a quarter turn and unhook the small rubber hose. Pull the hose out of the hole and remove the white drain hose plug above a small pan to capture any water that may drain. Drain the excess water. Replace.
- 3 Unscrew the pump filter. Rinse off any debris. Replace.
- 4 Close the access door.

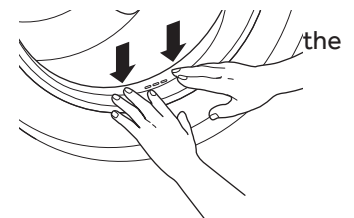


## Door Gasket

Open the washer door. Using both hands, press down the door gasket. Remove any foreign objects if found trapped inside the gasket. Make sure there is nothing blocking the holes behind the gasket.

While holding down the door gasket, inspect the interior of the gasket by pulling it down with your fingers. Remove any foreign objects if found trapped inside this gasket. Make sure there is nothing blocking the holes behind the gasket.

When you are finished cleaning the door gasket, remove your hands and the gaskets will return to the operating position.

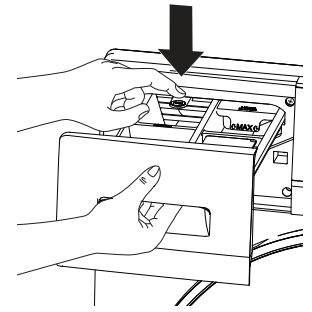


# CARE AND CLEANING

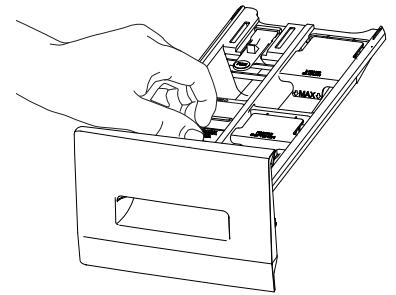
## Dispenser Drawer Area

Detergent and fabric softener may build up in the dispenser drawer. Residue should be removed once or twice a month.

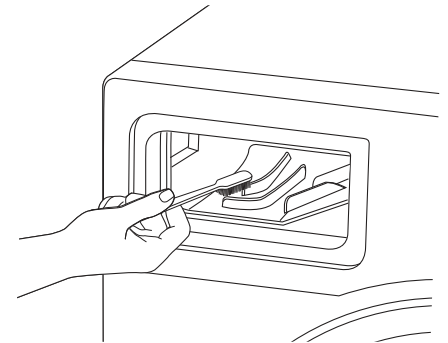
- Remove the drawer by first pulling it out until it stops. Then reach back into the rear center of the drawer cavity and press down firmly on the lock tab, pulling out the drawer.



- Remove all cups and inserts from the dispenser drawer. Rinse the inserts, cups and drawer with hot water to remove traces of accumulated laundry products.



- To clean the drawer opening, use a small brush to clean the recess. Remove all residue from the upper and lower parts of the recess.
- Return inserts to the proper compartments. Replace the dispenser drawer.
- To reduce buildup in the Dispenser Drawer area:



Use only HE  
High-Efficiency  
detergent.



## Moving and Storage

Ask the service technician to remove water from drain pump and hoses. Do not store the washer where it will be exposed to the weather. When moving the washer, the tub should be kept stationary by using the shipping bolts removed during installation. See Installation Instructions in this manual. If these parts are not available, visit our website at [haierappliances.com/parts](http://haierappliances.com/parts) or in Canada visit [haiercanada.ca/parts](http://haiercanada.ca/parts).

## Long Vacations

Be sure water supply is shut off at faucets. Drain all water from hoses and water filter pump area if weather will be below freezing.

# INSTALLATION INSTRUCTIONS

# WASHER




If you have questions, visit our website at [haierappliances.com](http://haierappliances.com)  
or in Canada visit [haiercanada.ca](http://haiercanada.ca).

## BEFORE YOU BEGIN

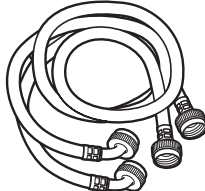
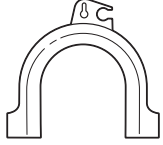

Read these instructions completely and carefully.

- **IMPORTANT** – Save these instructions for local inspector's use.
- **IMPORTANT** – Observe all governing codes and ordinances.
- **Note to Installer** – Be sure to leave these instructions with the Consumer.
- **Note to Consumer** – Keep these instructions for future reference.
- **Skill level** – Installation of this appliance requires basic mechanical and electrical skills.
- **Completion time** – 1-3 hours
- Proper installation is the responsibility of the installer.
- Product failure due to improper installation is not covered under the Warranty.

## TOOLS REQUIRED FOR WASHER INSTALLATION

- Level 
- Wrench (provided) 
- Channel-lock adjustable pliers 

## PARTS SUPPLIED

- Water Hoses (2)  
(Flat washers pre-installed) 
- Drain Hose Guide 
- Cable Tie 

## LOCATION OF YOUR WASHER

### DO NOT Install the Washer:

1. In an area exposed to dripping water or outside weather conditions. The ambient temperature should never be below 60°F (15.6°C) for proper washer operation.
2. In an area where it will come in contact with curtains or drapes.
3. On carpet. The floor **MUST** be a hard surface with a maximum slope of 1/2" per foot (1.27 cm per 30 cm). To make sure the washer does not vibrate or move, you may have to reinforce the floor.

**NOTE:** If floor is in poor condition, use 3/4" impregnated plywood sheet solidly attached to existing floor covering.

### IMPORTANT:

#### Minimum Installation Clearances

- When installed in alcove: Sides/Rear = 0" and Top = 1"
- When installed in closet: Sides/Rear = 0" and Top/Front = 1" (2.54 cm)
- Consideration must be given to provide adequate clearance for installation and service.
- Closet doors must be louvered or otherwise ventilated and have at least 60 square inches (387.1 cm<sup>2</sup>) of open area. If the closet contains both a washer and a dryer, doors must contain a minimum of 120 square inches (774.2 cm<sup>2</sup>) of open area.

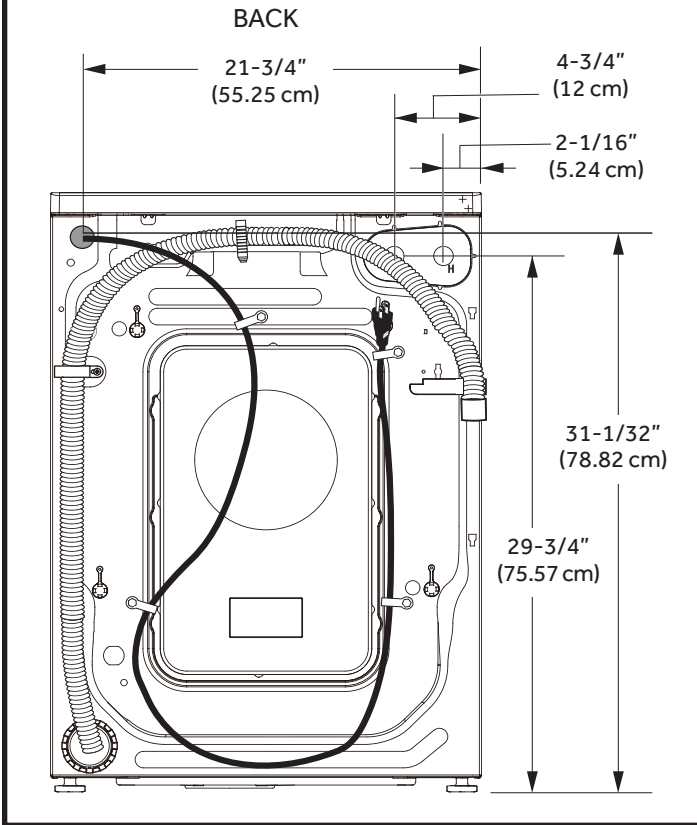
## MOBILE HOME INSTALLATION:

Installation must conform to Standard for Mobile Homes, ANSI A119.1 and National Mobile Home Construction and Safety Standards Act of 1974 (PL93-383).

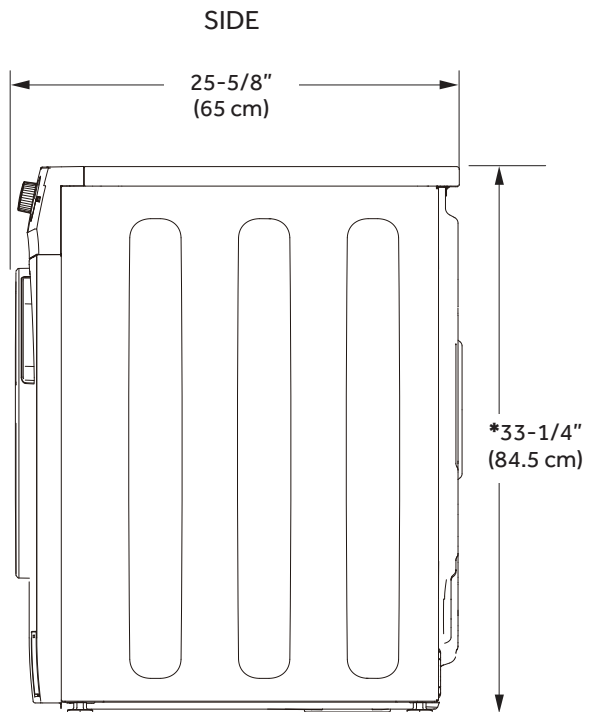
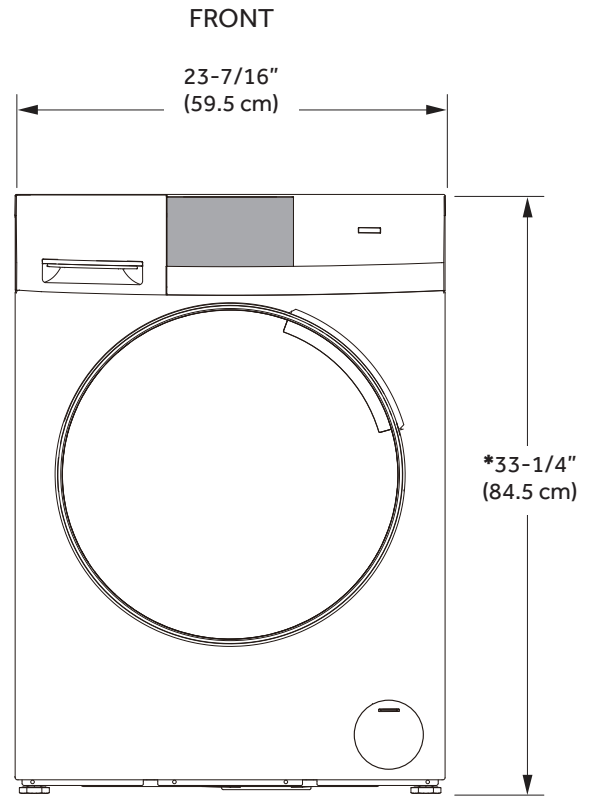


# INSTALLATION INSTRUCTIONS

## CONNECTION DIMENSIONS



## ROUGH-IN DIMENSIONS



**\*NOTE:**

Washer leveling legs retracted = 33-1/4" (84.5 cm)

Washer leveling legs extended = 33-3/4" (85.5 cm)

Stacked = 66-1/2" (169.0 cm)

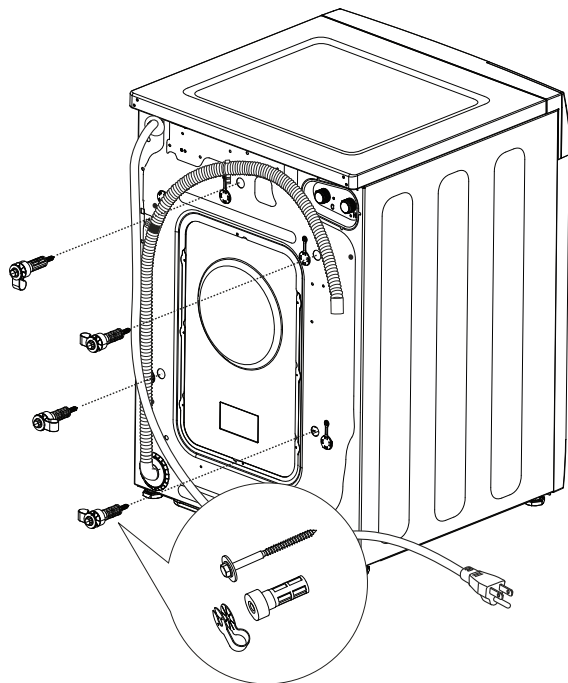
# INSTALLATION INSTRUCTIONS

## UNPACKING THE WASHER

**▲ WARNING** Recycle or destroy the carton and plastic bags after the washer is unpacked. Make materials inaccessible to children. Children might use them for play. Cartons covered with rugs, bedspreads or plastic sheets can become airtight chambers causing suffocation.

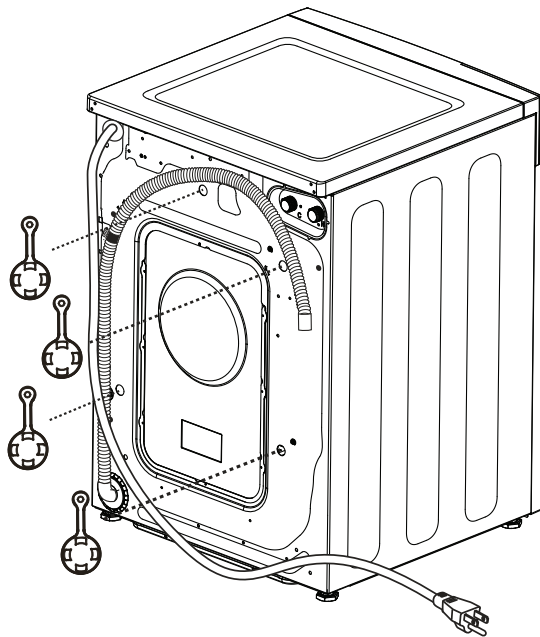
1. Cut and remove all packaging straps.
2. While it is in the carton, carefully lay the washer on its side. **DO NOT** lay the washer on its front or back.
3. Turn down the bottom flaps. Remove all base packaging including the styrofoam base.
4. Carefully return the washer to an upright position and remove the carton by lifting it upward.
5. Carefully move the washer to within 4 feet (122 cm) of the final location.
6. Remove the following from the back side of the washer:
  - 4 bolts
  - 4 plastic spacers (including rubber grommets)

**NOTE:** Do NOT remove the screw or clip holding the hose.



## UNPACKING THE WASHER (cont.)

7. Insert shipping bolt hole covers into shipping bolt holes.



### NOTES:

- Failure to remove the shipping braces can cause the washer to become severely unbalanced.
- **IMPORTANT:** Save all bolts for future use.

If you must transport the washer at a later date, you must reinstall the shipping support hardware to prevent shipping damage. Keep the hardware in the plastic bag provided.

**NOTE:** Consider recycling options for your appliance packaging material.

# INSTALLATION INSTRUCTIONS

## ELECTRICAL REQUIREMENTS

### **⚠ WARNING** - Electrical Shock Hazard

Plug into a grounded 3-prong outlet.

**DO NOT** remove ground prong.

**DO NOT** use an adapter.

**DO NOT** use an extension cord.

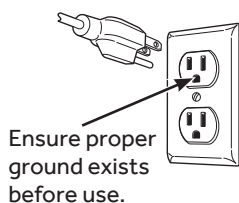
Failure to follow these instructions can result in death, fire or electrical shock.

**CIRCUIT** – Individual, properly polarized and grounded 15 or 20 amp circuit breaker or time-delay fuse.

**POWER SUPPLY** – 2 wire plus ground, 120 Volt, single phase, 60 Hz, alternating current.

**Outlet Receptacle** – Properly grounded 3-prong receptacle to be located so the power cord is accessible when the washer is in an installed position. If a 2-prong receptacle is present, it is the owner's responsibility to have a licensed electrician replace it with a properly grounded 3-prong grounding type receptacle.

Washer must be electrically grounded in accordance with local codes and ordinances, or in the absence of local codes, with latest edition of the NATIONAL ELECTRICAL CODE, ANSI/NFPA NO. 70 or CANADIAN ELECTRICAL CODE, CSA C22.1. Check with a licensed electrician if you are not sure that the washer is properly grounded.



## GROUNDING INSTRUCTIONS

This appliance must be grounded. In the event of malfunction or breakdown, grounding will reduce the risk of electric shock by providing a path of least resistance for electric current. This appliance is equipped with a cord having an equipment-grounding conductor and a grounding plug. The plug must be plugged into an appropriate outlet that is properly installed and grounded in accordance with all local codes and ordinances.

**⚠ WARNING** Improper connection of the equipment-grounding conductor can result in a risk of electrical shock. Check with a qualified electrician, or service representative or personnel, if you are in doubt as to whether the appliance is properly grounded. **DO NOT** modify the plug on the power supply cord. If it will not fit the outlet, have a proper outlet installed by a qualified electrician.

If required by local codes, an external 18 gauge or larger copper ground wire (not provided) may be added. Attach to washer cabinet with a #10-16 x 1/2" sheet metal screw (available at any hardware store) to rear of washer.

### **⚠ WARNING** - Electrical Shock Hazard

Disconnect power supply before servicing.

Replace all parts and panels before operating.

Failure to do so can result in death or electrical shock.

### **⚠ WARNING** - Shock Hazard

Certain internal parts are intentionally not grounded and may present a risk of electric shock only during servicing.

**Service personnel – DO NOT** contact the following parts while the appliance is energized: Electrical Valve, Drain Pump, NTC and Motor Control Unit.

## WATER SUPPLY REQUIREMENTS

Hot and cold water faucets **MUST** be installed within 42 inches (107 cm) of your washer's water inlet. The faucets **MUST** be 3/4" (1.9 cm) garden hose-type so inlet hoses can be connected. Water pressure **MUST** be between 10 and 120 pounds per square inch. Your water department can advise you of your water pressure. The hot water temperature should be set to deliver water at 120° to 140°F (48°–60°C) to provide proper Automatic Temperature Control (ATC) performance.

## DRAIN REQUIREMENTS

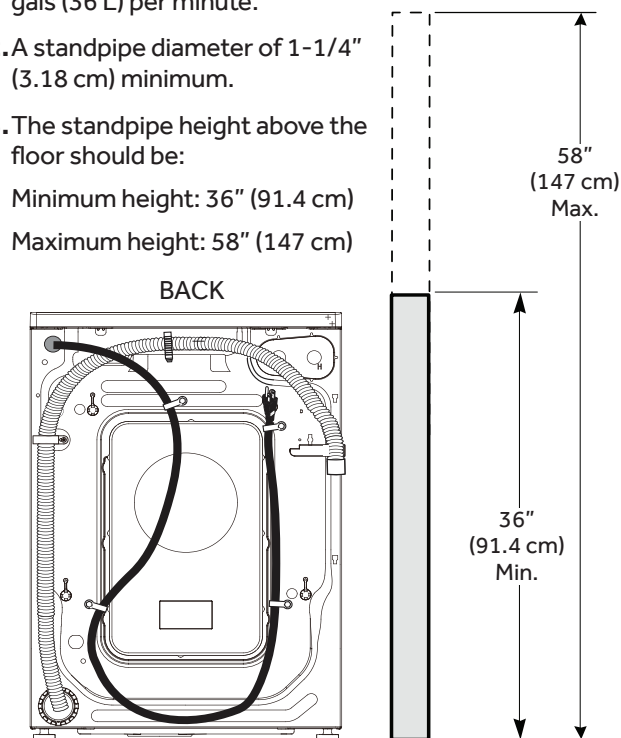
1. Drain capable of eliminating 9.5 gals (36 L) per minute.

2. A standpipe diameter of 1-1/4" (3.18 cm) minimum.

3. The standpipe height above the floor should be:

Minimum height: 36" (91.4 cm)

Maximum height: 58" (147 cm)

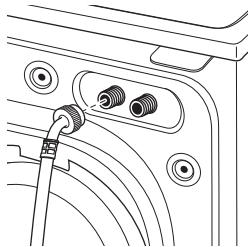


# INSTALLATION INSTRUCTIONS

## INSTALLING THE WASHER

1. Run some water from the hot and cold faucets to flush the water lines and remove particles that might clog the water valve screens.
2. Remove the inlet hoses from the plastic bag. Remove black rubber washers from bag and insert into hose fitting before connecting to unit.

3. (90° elbow end)  
Carefully connect the inlet hose marked H<sup>OT</sup> to the outside "H" outlet of the water valve. Tighten by hand; then tighten another 2 turn with pliers. Carefully connect the other inlet hose to the inside "C" outlet of the water valve. Tighten by hand; then tighten another 2/3 turn with pliers. **Do not cross-thread or overtighten these connections.**



4. Connect the inlet hose ends to the H<sup>OT</sup> and C<sup>OLD</sup> water faucets tightly by hand; then tighten another 2/3 turn with pliers. Turn the water on and check for leaks.

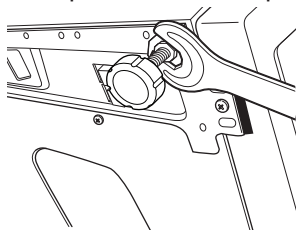


5. Carefully move the washer to its final location. Gently rock the washer into position. It is important not to damage the rubber leveling legs when moving your washer to its final location. Damaged legs can increase washer vibration. It may be helpful to spray window cleaner on the floor to help move your washer into its final position. **NOTE: To reduce vibration, ensure that all four rubber leveling legs are firmly touching the floor. Push and pull on the back right and then back left of your washer.**

**NOTE:** Do not use the dispenser drawer or door to lift the washer.

**NOTE:** If you are installing into a drain pan, you can use a 24-inch-long 2x4 to lever the washer into place.

6. With the washer in its final position, place a level on top of the washer (if the washer is installed under a counter, the washer should not be able to rock). Adjust the front leveling legs up or down to ensure the washer is resting solidly. Turn the locknuts on each leg up toward the base of the washer and snug with a wrench.

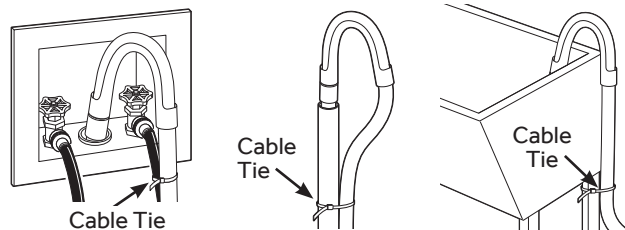


**NOTE: Keep the leg extension at a minimum to prevent excessive vibration. The farther out the legs are extended, the more the washer will vibrate.**

If the floor is not level or is damaged, you may have to extend the rear leveling legs.

## INSTALLING THE WASHER (cont.)

7. Attach U-shaped hose guide to the end of the drain hose. Place the hose in a laundry tub or standpipe and secure it with the cable tie provided in the enclosure package.



**NOTE:** If the drain hose is placed in a standpipe without forming a U shape, a siphoning action could occur. There must be an air gap around the drain hose. A snug hose fit can also cause a siphoning action.

**NOTE:** Do not place drain hose deeper than 7" into the drain. 4" - 7" is suggested. Deeper than 7" can cause a siphoning action.

8. Plug the power cord into a grounded outlet.

**NOTE:** Check to be sure the power is off at the circuit breaker/fuse box before plugging the power cord into an outlet.

9. Turn on the power at the circuit breaker/fuse box.

10. Read the rest of this Owner's Manual. It contains valuable and helpful information that will save you time and money.

11. Before starting the washer, check to make sure:

- Main power is turned on.
- The washer is plugged in.
- The water faucets are turned on.
- The unit is level and all four leveling legs are firmly on the floor.
- The shipping support hardware is removed and saved.
- The drain hose is properly tied up.
- There are no leaks at the faucet, drain line or washer.

12. Run the washer through a complete cycle. Check for water leaks and proper operation.

13. If your washer does not operate, please review the **Troubleshooting Tips** section before contacting us for service.

14. Place these instructions in a location near the washer for future reference.

## REPLACEMENT PARTS

Visit our website at [haierappliances.com/parts](http://haierappliances.com/parts) or in Canada visit [haiercanada.ca/parts](http://haiercanada.ca/parts).

# TROUBLESHOOTING TIPS

| Problem                                      | Possible Cause   | What To Do   |
|--|--|--|
| Not draining<br>Not spinning<br>Not tumbling | Load is out of balance   | Redistribute clothes and run <b>Rinse+Spin</b> .<br>Increase load size if washing small load containing heavy and light items.   |
|  | Pump filter may be clogged                                     | See the <b>Care and Cleaning</b> section on how to clean the <b>Pump Filter</b> .  |
|  | Drain hose is kinked or improperly connected                   | Straighten drain hose and make sure washer is not sitting on it.   |
|  | Household drain may be clogged                                 | Check household plumbing. You may need to call a plumber.  |
|  | Drain hose siphoning; drain hose pushed too far down the drain | Ensure there is an air gap between hose and drain.   |
| Leaking water                                | Door gasket is damaged   | Check to see if gasket is seated and not torn. Objects left in pockets may cause damage to the washer (nails, screws, pens, pencils)<br>Water may drip from the door when the door is opened. This is a normal operation.<br>Carefully wipe off rubber door seal. Sometimes dirt or clothing is left in this seal and can cause a small leak |
|  | Check back left of washer for water                            | If this area is wet, you have oversudsing condition. Use less detergent.   |
|  | Fill hoses or drain hose is improperly connected               | Make sure hose connections are tight at washer and faucets and make sure end of drain hose is correctly inserted in and secured to drain facility.   |
|  | Household drain may be clogged                                 | Check household plumbing. You may need to call a plumber.  |
|  | Dispenser clogged  | Powder soap may cause clogs inside the dispenser and cause water to leak out the front of the dispenser. Remove drawer and clean both drawer and inside of dispenser box. Please refer to <b>Care and Cleaning</b> section.  |
|  | Incorrect use of detergent                                     | Use only HE and correct amount of detergent.   |
| Clothes too wet                              | Load is out of balance   | Redistribute clothes and run <b>Rinse+Spin</b> .   |
|  |  | Increase load size if washing small load containing heavy and light items.   |
|  | Pump filter may be clogged                                     | See the <b>Care and Cleaning</b> section on how to clean the <b>Pump Filter</b> .  |
|  | Overloading  | Load your washer so clothes have enough room to move freely.   |
|  | Drain hose is kinked or improperly connected                   | Straighten drain hose and make sure washer is not sitting on it.   |
|  | Household drain may be clogged                                 | Check household plumbing. You may need to call a plumber.  |
|  | Drain hose siphoning; drain hose pushed too far down the drain | Ensure there is an air gap between hose and drain.   |

## TROUBLESHOOTING TIPS

| Problem  | Possible Cause  | What To Do   |
|--|---|--|
| Incomplete cycle or timer not advancing  | <b>Automatic load redistribution</b>  | Timer stops at 1 minute; machine has redistributed the load once or twice. This is normal operation. Do nothing; the machine will finish the wash cycle.   |
|  | <b>Pump filter may be clogged</b>   | See the <b>Care and Cleaning</b> section on how to clean the <b>Pump Filter</b> .  |
|  | <b>Drain hose is kinked or improperly connected</b>   | Straighten drain hose and make sure washer is not sitting on it.   |
|  | <b>Household drain may be clogged</b>   | Check household plumbing. You may need to call a plumber.  |
|  | <b>Drain hose siphoning; drain hose pushed too far down the drain</b>                             | Ensure there is an air gap between hose and drain.   |
| Loud or unusual noise; vibration or shaking                                      | <b>Cabinet moving</b>   | Washer is designed to move 1/4" to reduce forces transmitted to the floor. This movement is normal.  |
|  | <b>All rubber leveling legs are not firmly touching the floor</b>                                 | Push and pull on the back right and then back left of your washer to check if it is level. If the washer is uneven, adjust the rubber leveling legs so they are all firmly touching the floor and locked in place. |
|  | <b>Unbalanced load</b>  | Pause unit, open door and manually redistribute load. To check machine, run rinse and spin with no load. If normal, unbalance was caused by load.  |
|  | <b>Pump filter may be clogged</b>   | See the <b>Care and Cleaning</b> section on how to clean the <b>Pump Filter</b> .  |
| No power/washer not working or dead  | <b>Washer is unplugged</b>  | Make sure cord is plugged securely into a working outlet.  |
|  | <b>Water supply is turned off</b>   | Turn both hot and cold faucets fully on.   |
|  | <b>Circuit breaker/fuse is tripped/blown</b>  | Check house circuit breakers/fuses. Replace fuses or reset breaker. Washer should have separate outlet.  |
|  | <b>Automatic self system checks</b>   | First time the washer is plugged in, automatic checks occur. It may take up to 20 seconds before you can use your washer. This is normal operation.  |
| Snags, holes, tears, rips or excessive wear                                      | <b>Pens, pencils, nails, screws or other objects left in pockets</b>                              | Remove loose items from pockets.   |
|  | <b>Pins, snaps, hooks, sharp buttons, belt buckles, zippers and sharp objects left in pockets</b> | Fasten snaps, hooks, buttons and zippers.  |
| Control time wrong or changes  | <b>This is normal</b>   | During spin the washer may need to rebalance the load sometimes to reduce vibrations. When this happens, the estimated time is increased causing time left to increase or jump.                                    |
| Not enough water   | <b>This is normal</b>   | Horizontal washers do not require the tub to fill with water like top-load washers.  |
| Washer pauses or has to be restarted, or washer door is locked and will not open | <b>Pump filter may be clogged</b>   | See the <b>Care and Cleaning</b> section on how to clean the <b>Pump Filter</b> .  |
| Door unlocks or press Start and machine doesn't operate                          | <b>This is normal</b>   | Front-load washers start up differently than top-load washers, and it takes several seconds to check the system. The door will lock and unlock.  |
|  | <b>Incorrect operation</b>  | Simply open and close the door firmly; then press <b>Start</b> .   |

# TROUBLESHOOTING TIPS

| Problem                                      | Possible Cause   | What To Do   |
|--|--|--|
| Water does not enter washer or enters slowly | <b>Automatic self system checks</b>  | After <b>Start</b> is pressed, the washer does several system checks. Water will flow several seconds after <b>Start</b> is pressed.   |
|  | <b>Water valve screens are stopped up</b>  | Turn off the water source and remove the water connection hoses from the upper back of the washer. Use a brush or toothpick to clean the screens in the machine. Reconnect the hoses and turn the water back on. |
|  | <b>Inlet hose screen washers are stopped up</b>  | Turn off the water source and remove the inlet hoses from the wall faucets. Use a brush or toothpick to clean the screen washers in the end of the hoses. Reconnect the hoses and turn the water back on.        |
|  | <b>Pump filter may be clogged</b>  | See the <b>Care and Cleaning</b> section on how to clean the <b>Pump Filter</b> .  |
|  | <b>Fill hoses may be kinked</b>  | Check that fill hoses are not kinked or clogged.   |
|  | <b>Water supply is turned off</b>  | Turn on both hot and cold faucets fully.   |
|  | <b>Energy efficiency</b>   | This is an energy-efficient washer. As a result, the temperature settings for this washer may be different than for a non-energy-efficient washer.   |
|  | <b>Insufficient water supply</b>   | Make sure that the water supply is turned on. Make sure that the water faucets are turned to their completely open position.   |
|  | <b>The washer door is open</b>   | The washer door must be closed for all washer cycle operations. If the door is opened during the washer operation, all functions will stop, including water filling.   |
|  | <b>Incorrect fill hose connection</b>  | Make sure that the fill hoses connect the hot water supply to the hot inlet on the washer and the cold water supply to the cold inlet on the washer (hot to hot, cold to cold).                                  |
| Wrinkling                                    | <b>Improper sorting</b>  | Avoid mixing heavy items (like work clothes) with light items (like blouses).  |
|  | <b>Overloading</b>   | Load your washer so clothes have enough room to move freely.   |
|  | <b>Incorrect wash cycle</b>  | Match cycle selection to the type of fabric you are washing (especially for easy care loads).  |
|  | <b>Repeated washing in water that is too hot</b>   | Wash in warm or cold water.  |
| Grayed or yellowed clothes                   | <b>Not enough detergent</b>  | Use correct amount of detergent.   |
|  | <b>Not using HE (high efficiency) detergent</b>  | Use only HE detergent.   |
|  | <b>Hard water</b>  | Use hottest water safe for fabric.   |
|  |  | Use a water conditioner like Calgon brand or install a water softener.   |
|  | <b>Water is not hot enough</b>   | Make sure water heater is delivering water at 120°–140°F (48°–60°C).   |
|  | <b>Detergent is not dissolving</b>   | Try a liquid HE detergent.   |
| <b>Dye transfer</b>                          | Sort clothes by color. If fabric label states wash separately, unstable dyes may be indicated. |  |

## TROUBLESHOOTING TIPS

| Problem                                  | Possible Cause  | What To Do  |
|--|---|---|
| Colored spots                            | Incorrect use of fabric softener  | Check fabric softener package for instructions and follow directions for using dispenser.   |
|  | Dye transfer  | Sort whites or lightly colored items from dark colors.<br>Promptly remove wash load from washer.  |
| Water temperature is incorrect           | Water supply is improperly connected  | Make sure hoses are connected to correct faucets.   |
|  | House water heater is not set properly  | Make sure house water heater is delivering water at 120°–140°F (48°–60°C).  |
| Slight variation in metallic color       | This is normal  | Due to the metallic properties of paint used for this unique product, slight variations of color may occur due to viewing angles and lighting conditions.   |
| Bad odor inside your Washer              | Washer unused for a long time, not using recommended quality of HE detergent or used too much detergent | Run a <b>Tub Clean</b> cycle.   |
|  |   | In case of strong odor, you may need to run the <b>Tub Clean</b> cycle more than once.  |
|  |   | Use only the amount of detergent recommended on the detergent container.  |
|  |   | Use only HE (high efficiency) detergent.  |
|  |   | Always remove wet items from the washer promptly after machine stops running.<br>Leave the door slightly open for the water to air dry. Close supervision is necessary if this appliance is used by or near children. Do not allow children to play on or in this or any other appliance. |
| Detergent leak                           | Incorrect placement of detergent insert   | Make sure detergent insert is properly located and fully seated. Never put detergent above max line.  |
|  | This is normal  | It is normal operation to see detergent leak on door gasket about 20 seconds after filling the dispenser.   |
| Improper dispensing of softener          | Dispenser clogged   | Monthly clean the dispenser drawer to remove buildup of chemicals.  |
|  | Softener is filled above the max line   | Make sure to have the correct amount of softener.   |
|  | Softener cap issue  | Make sure softener cap for dispenser is seated or it will not work.   |
| Dispenser drawer not dispensing properly | Laundry detergent packet placed in dispenser drawer   | Laundry detergent packets should not be used in the dispenser. They should only be added directly to the wash tub following the manufacturer's directions.  |
| Pump running while washer is not in use  | Clog in sump drain  | This is normal. Drain sump is detecting an undesired water fill level from a potential open faucet. Shut off water valve and inspect water valve for blockage.  |



# NOTES

# NOTES

# LIMITED WARRANTY

## haierappliances.com

All warranty service is provided by our Factory Service Centers, or an authorized Customer Care® technician. To schedule service online, visit us at [haierappliances.com/support/schedule-service](http://haierappliances.com/support/schedule-service) or in Canada [haiercanada.ca/service](http://haiercanada.ca/service). Please have your serial number and your model number available when contacting us for service.

Servicing your appliance may require the use of the onboard data port for diagnostics. This gives a Haier Appliances factory service technician the ability to quickly diagnose any issues with your appliance and helps Haier Appliances improve its products by providing Haier Appliances with information on your appliance. If you do not want your appliance data to be sent to Haier Appliances, please advise your technician not to submit the data to Haier Appliances at the time of service.

| For the period of                                     | Haier Appliances will replace   |
|---|---|
| <b>One year</b><br>From date of the original purchase | <b>Any part</b> of the washer which fails due to a defect in materials or workmanship. During this <b>limited one-year warranty</b> , Haier Appliances will provide, <b>free of charge</b> , all labor and in-home service to replace the defective part. |

### What Haier Appliances will not cover (for customers in the United States):

- Service trips to your home to teach you how to use the product.
- Improper installation, delivery or maintenance.
- Failure of the product if it is abused, misused, or used for other than the intended purpose or used commercially.
- Replacement of house fuses or resetting of circuit breakers.
- Products which are not defective or broken, or which are working as described in the Owner's Manual.
- Damage to the product caused by accident, fire, floods or acts of God.
- Incidental or consequential damage caused by possible defects with this appliance.
- Defects or damage due to operation in freezing temperatures.
- Damage caused after delivery.
- Product not accessible to provide required service.

This limited warranty is extended to the original purchaser and any succeeding owner for products purchased for home use within the USA. If the product is located in an area where service by a Haier Appliances Authorized Servicer is not available, you may be responsible for a trip charge or you may be required to bring the product to an Authorized Haier Appliances Service location for service. In Alaska, the limited warranty excludes the cost of shipping or service calls to your home.

Some states do not allow the exclusion or limitation of incidental or consequential damages. This limited warranty gives you specific legal rights, and you may also have other rights which vary from state to state. To know what your legal rights are, consult your local or state consumer affairs office or your state's Attorney General.

**Warrantor: Haier Appliances, Louisville, KY 40225**

### What Haier Appliances will not cover (for customers in Canada):

- Service trips to your home to teach you how to use the product.
- Improper installation.  
If you have an installation problem, contact your dealer or installer. You are responsible for providing adequate electrical, exhausting and other connecting facilities.
- Failure of the product if it is abused, misused or used for other than the intended purpose or used commercially.
- Replacement of house fuses or resetting of circuit breakers.
- Damage to the product caused by accident, fire, floods, or acts of God.
- Damage caused after delivery including damage from items dropped on the door.

This limited warranty is extended to the original purchaser and any succeeding owner for products purchased in Canada for home use within Canada. In home warranty service will be provided in areas where it is available and deemed reasonable by Mabe to provide.

**WARRANTOR IS NOT RESPONSIBLE FOR CONSEQUENTIAL DAMAGES.**

**Warrantor: MC Commercial Inc., Burlington, ON, L7R 5B6**

### EXCLUSION OF IMPLIED WARRANTIES

Your sole and exclusive remedy is product repair as provided in this Limited Warranty. Any implied warranties, including the implied warranties of merchantability or fitness for a particular purpose, are limited to one year or the shortest period allowed by law.

Staple your receipt here. Proof of the original purchase date is needed to obtain service under the warranty.

# CONSUMER SUPPORT

## Haier Appliances Website

Have a question or need assistance with your appliance? Try the Haier Appliances Website 24 hours a day, any day of the year! You can also shop for more great Haier Appliances products and take advantage of all our on-line support services designed for your convenience. In the US: [haierappliances.com](http://haierappliances.com)

---

## Register Your Appliance

Register your new appliance on-line at your convenience! Timely product registration will allow for enhanced communication and prompt service under the terms of your warranty, should the need arise. You may also mail in the pre-printed registration card included in the packing material. In the US: [haierappliances.com/support/register](http://haierappliances.com/support/register)

In Canada: [prodsupport.mabe.ca/crm/Products/ProductRegistration.aspx](http://prodsupport.mabe.ca/crm/Products/ProductRegistration.aspx)

---

## Schedule Service

Expert Haier Appliances repair service is only one step away from your door. Get on-line and schedule your service at your convenience any day of the year. In the US: [haierappliances.com/support/schedule-service](http://haierappliances.com/support/schedule-service).

In Canada: [haiercanada.ca/service](http://haiercanada.ca/service)

---

## Remote Connectivity

For assistance with wireless network connectivity (for models with remote enable), visit our website in the US at [haierappliances.com](http://haierappliances.com)

---

## Parts and Accessories

Individuals qualified to service their own appliances can have parts or accessories sent directly to their homes (VISA, MasterCard and Discover cards are accepted).

In the US: [haierappliances.com/parts](http://haierappliances.com/parts)

In Canada: [haiercanada.ca/parts](http://haiercanada.ca/parts)

**Instructions contained in this manual cover procedures to be performed by any user. Other servicing generally should be referred to qualified service personnel. Caution must be exercised, since improper servicing may cause unsafe operation.**

---

## Contact Us

If you are not satisfied with the service you receive from Haier Appliances, contact us on our website at [haierappliances.com/support/contact-us](http://haierappliances.com/support/contact-us) with all the details including your phone number, or write to:

In the US: Haier Appliances, Consumer Relations | PO Box 1780 | Rapid City, SD 57709

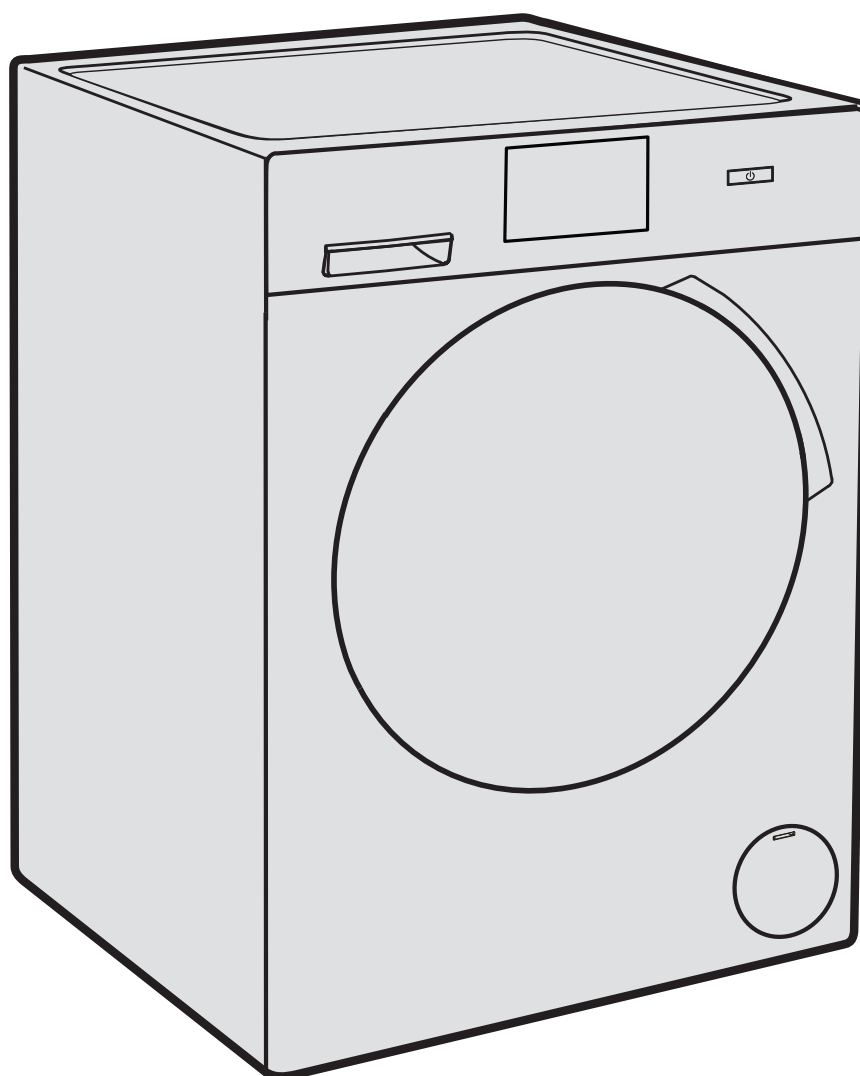
In Canada: [haiercanada.ca/contact-us](http://haiercanada.ca/contact-us)

# Haier

Manuel d'utilisation et  
Instruction d'installation

QFW150 Série

## Laveuses



# TABLE DES MATIÈRES

|  |           |
|--|-----------|
| <b>CONSIGNES DE SÉCURITÉ</b> .....       | <b>3</b>  |
| <b>UTILISATION DE LA LAVEUSE</b> .....   | <b>5</b>  |
| Comment démarrer .....                   | 5         |
| Distributeurs .....                      | 12        |
| Chargement .....                         | 13        |
| <b>ENTRETIEN ET NETTOYAGE</b> .....      | <b>14</b> |
| <b>INSTALLATION D'INSTALLATION</b> ..... | <b>16</b> |
| <b>CONSEILS DE DÉPANNAGE</b> .....       | <b>21</b> |
| <b>GARANTIE LIMITÉE</b> .....            | <b>27</b> |
| <b>SERVICE À LA CLIENTÈLE</b> .....      | <b>28</b> |

## DOCUMENTS À CONSERVER

Merci d'avoir acheté ce produit Haier Appliances. Ce manuel d'utilisation vous aidera à obtenir la meilleure performance possible de votre nouveau laveuse.

Pour référence ultérieure, inscrire le numéro de plaque signalétique et la date d'achat. La plaque signalétique est située sur une étiquette placée à l'intérieur de la porte.

Pour faciliter l'obtention d'un service sous garantie, agrafez la preuve de la date d'achat à ce manuel.

---

N° de modèle

---

N° de série

---

Date d'achat

# CONSIGNES DE SÉCURITÉ

## CONSIGNES DE SÉCURITÉ IMPORTANTES LIRE TOUTES LES CONSIGNES AVANT D'UTILISER L'APPAREIL

**⚠ AVERTISSEMENT** Pour réduire les risques de décès, d'incendie, d'explosion, de choc électrique ou de blessures lorsque vous utilisez votre appareil, suivez les mesures de sécurité de base, notamment :

- Lisez toutes les instructions avant d'utiliser l'appareil.
- Suivez toutes les instructions et avertissements de soin des tissus pour éviter que les vêtements fondent ou des dommages à l'appareil.
- **NE** nettoyez et **NE** séchez **PAS** d'articles qui ont été nettoyés, lavés, trempés ou tachés avec de l'essence, du solvant pour nettoyage à sec ou d'autres produits combustibles ou substances explosives, car ces derniers peuvent dégager des vapeurs qui pourraient s'enflammer ou exploser.
- **N'ajoutez PAS** de l'essence, du solvant pour nettoyage à sec ou d'autres produits combustibles ou substances explosives à l'eau de lavage. Ces substances peuvent dégager des vapeurs qui pourraient s'enflammer ou provoquer une explosion.
- Dans certaines conditions, de l'hydrogène peut se former dans un circuit d'eau chaude qui n'a pas été utilisé pendant deux semaines ou plus. L'HYDROGÈNE EST UN GAZ EXPLOSIF. Si le circuit d'eau chaude n'a pas été utilisé pendant une telle période, ouvrez tous les robinets d'eau chaude et laissez l'eau couler pendant plusieurs minutes avant d'utiliser votre laveuse. Ainsi, l'hydrogène accumulé sera évacué du système. Ce gaz étant inflammable, **NE fumez PAS** et n'utilisez pas de flamme nue pendant cette opération.
- **NE** laissez **PAS** les enfants jouer sur ou à l'intérieur de cet appareil. La présence d'enfants près de cet appareil lorsqu'il est en marche doit faire l'objet d'une étroite supervision. Avant de mettre la laveuse au rebut ou hors service, retirez la porte ou le couvercle. Le non-respect de ces instructions peut entraîner le décès ou des blessures.
- **NE** mettez **PAS** la main dans l'appareil lorsque le tambour ou l'agitateur est en mouvement pour éviter d'être happé accidentellement.
- **N'installez** ou n'entrez pas **PAS** cet appareil dans un endroit où il sera exposé aux intempéries.
- **NE** modifiez **PAS** les commandes, ne réparez ou ne remplacez pas de pièce de cet appareil et ne tentez pas d'effectuer une réparation, sauf si cette procédure est recommandée expressément dans les instructions d'entretien de l'utilisateur ou dans les instructions de réparation de l'utilisateur et que vous possédez les connaissances et les aptitudes requises pour le faire.
- **ABSTENEZ-VOUS** de grimper ou de vous tenir sur l'appareil.
- **N'utilisez PAS** cet appareil s'il est endommagé, s'il fonctionne mal, s'il est partiellement démonté ou si certaines de ses pièces manquent ou sont cassées (y compris le cordon d'alimentation ou la fiche).
- Débranchez l'appareil ou fermez son disjoncteur avant de procéder à l'entretien. Appuyer sur le bouton d'alimentation **Power** (⏻) de l'appareil **NE** le déconnecte **PAS** de l'alimentation.
- Consultez la section sur le « EXIGENCES ÉLECTRIQUES » des instructions d'installation pour obtenir les procédures de mise à la terre.

### Mise au rebut adéquate de votre électroménager

- Veuillez jeter ou recycler votre électroménager conformément aux règlements fédéraux ou locaux. Communiquez avec les instances locales pour en savoir plus sur la mise au rebut ou le recyclage de votre électroménager.

## LIRE ET CONSERVEZ CES DIRECTIVES

# CONSIGNES DE SÉCURITÉ

## CONSIGNES DE SÉCURITÉ IMPORTANTES LIRE TOUTES LES CONSIGNES AVANT D'UTILISER L'APPAREIL

### INSTALLATION APPROPRIÉE

Cette laveuse doit être installée conformément aux instructions d'installation avant d'être utilisée.

- Assurez-vous que le boyau d'eau chaude est raccordé au robinet « H » et que le boyau d'eau froide est raccordé au robinet « C ».
- Installez ou entreposez l'appareil à un endroit où il ne sera exposé ni à des températures en dessous du point de congélation ni aux intempéries; l'appareil pourrait subir des dommages permanents et la garantie serait annulée.
- Mettez la laveuse à la terre conformément aux codes et règlements en vigueur. Suivez les instructions détaillées de la section « Instructions d'installation ».
- Veillez à ce que la laveuse soit bien de niveau et que les pieds soient correctement réglés pour que cet appareil soit stable.
- Une rallonge de tuyau d'évacuation optionnelle est recommandée pour les hauteurs d'évacuation allant de 60 à 96 po (152,4 à 243,8 cm).
- Haier Appliances recommande fortement d'utiliser les pièces spécifiées du fabricant. Une liste de boyaux manufacturés disponibles pour l'achat est indiquée. Ces boyaux ont été fabriqués et testés afin de répondre aux spécifications de Haier Appliances.
- Haier Appliances recommande fortement d'utiliser de nouveaux boyaux d'alimentation en eau. Les boyaux se dégradent avec le temps et doivent être remplacés tous les cinq ans afin de réduire le risque de bris de boyau et de dégâts d'eau.
- Considérez les options de recyclage des matériaux d'emballage de votre électroménager.

### LORSQUE L'APPAREIL N'EST PAS UTILISÉ

- Fermez les robinets d'eau pour réduire les fuites en cas de tuyau cassé. Vérifiez l'état des tuyaux de remplissage. Haier Appliances recommande de les remplacer tous les 5 ans.

### PIÈCES ET ACCESSOIRES

Visitez notre site web à [fr.haiercanada.ca/parts](http://fr.haiercanada.ca/parts).

| Numéro de pièce | Accessoire  |
|-----------------|---|
| PM14X10002      | Boyaux d'alimentation en eau en caoutchouc de 4 pi (1,2 m)  |
| <b>Ou</b>       |   |
| PM14X10005      | Boyaux d'alimentation en eau de type tressé de 4 pi (1,2 m) |
| WX10X10011      | Nettoyant pour laveuse Tide®*                               |
| PM7X1           | Plateau de plancher pour laveuse                            |

\*Tide® est une marque déposée de Procter & Gamble

## LIRE ET CONSERVEZ CES DIRECTIVES



# UTILISATION DE LA LAVEUSE

Les caractéristiques et l'apparence des appareils varient tout au long de ce manuel selon les modèles

## ⚠️ AVERTISSEMENT

Pour réduire le risque d'incendie, de choc électrique ou de blessure, lisez les CONSIGNES DE SÉCURITÉ IMPORTANTES avant de faire fonctionner cet appareil.

### Étape 1

(l'apparence varie)



- Ajoutez de l'assouplissant dans le distributeur d'assouplissant; consultez la page 10.
- Ajoutez la quantité de détergent recommandée par le fabricant. Haier Appliances recommande l'utilisation de détergents Haute Efficacité tels que dans votre laveuse écoénergétique. Placez les dosettes de détergent dans le fond du tambour avant d'ajouter des vêtements.

### Étape 2



- Chargez le linge sans le tasser. Charger trop de linge peut avoir un impact négatif sur la performance de lavage. Consultez la page 11 pour obtenir des suggestions de chargement.

• Fermez la porte.

**REMARQUE :** La laveuse ne démarre pas lorsque la porte est ouverte.

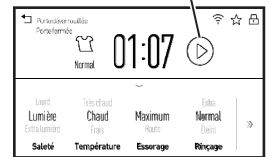
### Étape 3



- Si l'écran est sombre, maintenez une pression sur le bouton Power (Alimentation) durant 2 secondes pour activer l'afficheur.

### Étape 4

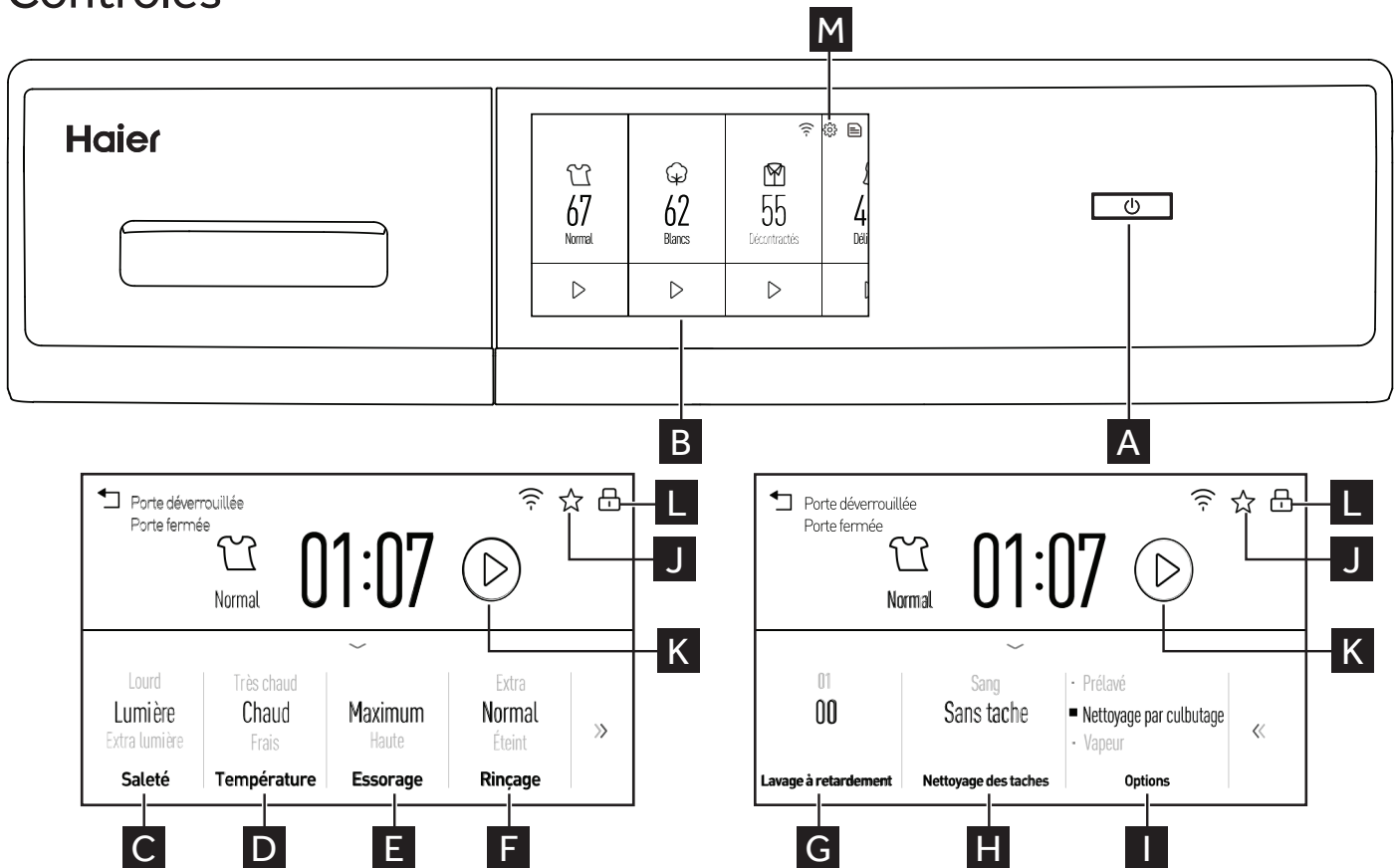
Départ



- Sélectionnez le cycle de lavage. (Des réglages par défaut sont établis pour chaque cycle de lavage. Ces réglages peuvent être changés. Consultez la section Réglage des contrôles pour de plus amples renseignements.)
- Si vous avez choisi un cycle de lavage, appuyez sur le bouton Start/Pause (Départ/Pause).

\*On peut aussi trouver les instructions en touchant l'icône de document sur l'écran de sélection du cycle dans le coin supérieur droit.

## Contrôles



# UTILISATION DE LA LAVEUSE

## Affichage et voyants d'état

L'affichage indique le temps restant approximatif jusqu'à la fin du cycle.

De plus, cet affichage indiquera l'état de la laveuse :

| État                        | Remplissage >> Lavage >> Rinçage >> Essorage   |
|-----------------------------|--|
| Symbole de cadenas          | Verrouillage des commandes   |
| Estimation du temps restant | L'affichage indique l'estimation du temps restant jusqu'à la fin du cycle sélectionné. |
| Culbutage prolongé          | Indique l'activation du culbutage prolongé.  |
| Lavage à retardement        | Indique que l'heure du Lavage à retardement (Delay Wash) est sélectionnée.             |
| Prélavage                   | Indique que le prélavage (PreWash) est sélectionné                                     |
| Vapeur                      | Indique que le prélavage (PreWash) est sélectionné.                                    |
| Culbutage antifroissement   | Indique que le culbutage antifroissement (Tumble Care) est sélectionné.                |

**REMARQUE :** Si une condition de déséquilibre est détectée par la laveuse, un indicateur de déséquilibre clignotera durant le reste du cycle. Il restera allumé durant un bref moment après la fin du cycle. Lorsque cela survient, la laveuse prend des mesures pour corriger la condition de déséquilibre et termine le cycle normalement. Dans certains cas, la laveuse n'arrive pas à équilibrer la brassée et tourner à pleine vitesse. Si vous remarquez que la brassée est plus mouillée que d'habitude à la fin du cycle, redistribuez la brassée uniformément dans la cuve de lavage et lancez le cycle **Drain+Spin** (Vidange+Essorage).

## A Power (alimentation)

Maintenez une pression durant 2 secondes pour activer l'afficheur. Si l'afficheur est actif, maintenez une pression durant 2 secondes pour arrêter la sècheuse.

**REMARQUE :** Appuyer sur Power (Alimentation) ne débranche pas l'appareil de l'alimentation électrique.

## B Cycles de lavage

Les cycles sont optimisés pour des catégories particulières de charges de lavage. Le tableau ci-dessous vous aidera à trouver un réglage de lavage qui correspond à votre charge de lavage. Les pales élavatrices Gentle Wash™ font délicatement culbuter les vêtements dans la solution d'eau et de détergent pour les laver.

| Articles à laver  | Cycle                | Degré saleté  | Temp. Lavage  | Sélection essorage  | Options disponibles   | Description du cycle   |
|---|----------------------|---|---|---|---|--|
| Cycle pour une utilisation normale, régulière ou typique pour le lavage jusqu'à une charge complète de vêtements de coton normalement sale. | Normal               | Extrém. sale<br>Très sale<br><b>Normal</b><br>Légèrement<br>Extrém.<br>Légèrement | Très chaude<br>Chaude<br><b>Tiède</b><br>Frais<br>Froide        | Max<br><b>Rapide</b><br>Modéré<br>Pas<br>d'essorage         | Rinçage supplémentaire<br>Lavage différé<br>Guide du détachage<br>Économiseur de temps<br>Prélavage<br>Culbutage antifroissement<br>Vapeur<br>Mon cycle | Cycle pour une utilisation normale, régulière ou typique pour le lavage jusqu'à une charge complète de vêtements de coton normalement sale. Choisissez les options de degré de saleté Très sale ou Extrêmement sale et les températures Chaude ou Très chaude selon la charge de vêtements et le degré de nettoyage à obtenir. |
| Blancs et linge de maison.  | Whites (Blancs)      | Extrém. sale<br>Très sale<br><b>Normal</b><br>Légèrement<br>Extrém.<br>Légèrement | Très chaude<br>Chaude<br><b>Tiède</b><br>Frais<br>Froide        | Max<br>Rapide<br>Modéré<br>Lent<br>Pas<br>d'essorage        | Rinçage supplémentaire<br>Lavage différé<br>Guide du détachage<br>Économiseur de temps<br>Prélavage<br>Culbutage antifroissement<br>Vapeur<br>Mon cycle | Cycle conçu pour laver et aviver les blancs.   |
| Tout-aller, vêtements de travail peu sales.   | Casuals (Tout-Aller) | Extrém. sale<br>Très sale<br><b>Normal</b><br>Légèrement<br>Extrém.<br>Légèrement | Très chaude<br>Chaude<br><b>Tiède</b><br><b>Frais</b><br>Froide | Max<br><b>Rapide</b><br>Modéré<br>Lent<br>Pas<br>d'essorage | Rinçage supplémentaire<br>Lavage différé<br>Guide du détachage<br>Économiseur de temps<br>Prélavage<br>Culbutage antifroissement<br>Vapeur<br>Mon cycle | Cycle de lavage adapté au tout-aller et aux vêtements de travail.  |

# UTILISATION DE LA LAVEUSE

## B Cycles de lavage - Suite

| Articles à laver  | Cycle                          | Degré saleté  | Temp. Lavage   | Sélection essorage  | Options disponibles  | Description du cycle   |
|---|--------------------------------|---|--|---|--|--|
| Pour la lingerie fine et les tissus à entretien spécial, légèrement sales.          | Delicates (Déliçats)           | Extrém. sale<br>Très sale<br><b>Normal</b><br>Légèrement<br>Extrém.<br>Légèrement | Tiède<br>Frais<br><b>Froide</b>                          | Rapide<br><b>Modéré</b><br>Lent<br>Pas d'essorage               | Rinçage supplémentaire<br>Lavage différé<br>Guide du détachage<br>Économiseur de temps<br>Prélavage<br>Culbutage<br>antifroissement<br><br>Mon cycle       | Pour les articles étiquetés lavage à la main peu sales. Assure un trempage et un culbutage déliçats pendant le lavage et le rinçage.   |
| Tissus résistants sales à très sales.   | Articles volumineux            | Extrém. sale<br><b>Très sale</b><br>Normal<br>Légèrement<br>Extrém.<br>Légèrement | Très chaude<br>Chaude<br><b>Tiède</b><br>Frais<br>Froide | <b>Max</b><br>Rapide<br>Modéré<br>Lent<br>Pas d'essorage        | Rinçage supplémentaire<br>Lavage différé<br>Guide du détachage<br>Économiseur de temps<br>Prélavage<br>Culbutage<br>antifroissement<br>Vapeur<br>Mon cycle | Intègre un lavage et en trempage en plusieurs étapes associées à des périodes de lavage prolongées pour nettoyer efficacement les tissus résistants sales à très sales.                              |
| Serviettes, draps, taies d'oreiller et lavettes.                                    | Towels (Serviettes)            | Extrém. sale<br>Très sale<br><b>Normal</b><br>Légèrement<br>Extrém.<br>Légèrement | Très chaude<br>Chaude<br><b>Tiède</b><br>Frais<br>Froide | <b>Max</b><br>Rapide<br>Modéré<br>Lent<br>Pas d'essorage        | Rinçage supplémentaire<br>Lavage différé<br>Guide du détachage<br>Économiseur de temps<br>Prélavage<br>Culbutage<br>antifroissement<br>Vapeur<br>Mon cycle | Cycle conçu pour laver les serviettes, draps, taies d'oreiller et lavettes. Il est recommandé de laver les serviettes et les draps séparément pour les meilleurs résultats d'entretien et de lavage. |
| Denim ou tissu lourd en coton   | Jeans                          | Extrém. sale<br>Très sale<br><b>Normal</b><br>Légèrement<br>Extrém.<br>Légèrement | Très chaude<br>Chaude<br><b>Tiède</b><br>Frais<br>Froide | <b>Max</b><br>Rapide<br>Modéré<br>Lent<br>Pas d'essorage        | Rinçage supplémentaire<br>Lavage différé<br>Guide du détachage<br>Économiseur de temps<br>Prélavage<br>Culbutage<br>antifroissement<br>Vapeur<br>Mon cycle | Intègre des périodes de trempage et de lavage à plusieurs étapes pour optimiser le lavage des articles en denim ou autres tissus lourds.   |
| Vêtements de sport de saleté modérée à légère de tissus techniques et synthétiques. | Active Wear (Tenue active)     | Extrém. sale<br><b>Très sale</b><br>Normal<br>Légèrement<br>Extrém.<br>Légèrement | Très chaude<br>Chaude<br>Tiède<br><b>Frais</b><br>Froide | <b>Max</b><br>Rapide<br>Modéré<br>Lent<br>Pas d'essorage        | Rinçage supplémentaire<br>Lavage différé<br>Guide du détachage<br>Économiseur de temps<br>Prélavage<br>Culbutage<br>antifroissement<br>Vapeur<br>Mon cycle | Cycle conçu pour l'entretien des tenues actives, des vêtements de sport et des tissus techniques de saleté modérée à légère.   |
| Vêtements avec de la laine.   | Laine                          | Extrém. sale<br>Très sale<br>Normal<br>Légèrement<br>Extrém.<br>Légèrement        | Frais<br>Froide  | <b>Low</b><br>No Spin   | Rinçage supplémentaire<br>Lavage différé<br><br>Économiseur de temps<br>Prélavage<br>Culbutage<br>antifroissement<br><br>Mon cycle                         | Combine de l'eau fraîche avec une légère agitation et un essorage basse vitesse afin de laver les tissus contenant de la laine d'une façon sûre.   |
| Petits vêtements tels que pour enfants.   | Vêtements d'enfants en bas âge | Extrém. sale<br>Très sale<br>Normal<br>Légèrement<br>Extrém.<br>Légèrement        | Très chaude<br>Chaude<br><b>Tiède</b><br>Frais<br>Froide | <b>Max</b><br>Rapide<br><b>Modéré</b><br>Lent<br>Pas d'essorage | Rinçage supplémentaire<br>Lavage différé<br>Guide du détachage<br>Économiseur de temps<br>Prélavage<br>Culbutage<br>antifroissement<br>Vapeur<br>Mon cycle | Cycle de lavage spécialement conçu pour les vêtements d'enfants et autres petits articles.   |

# UTILISATION DE LA LAVEUSE

## B Cycles de lavage - Suite

| Articles à laver   | Cycle                             | Degré saleté   | Temp. Lavage                       | Sélection essorage                                       | Options disponibles  | Description du cycle   |
|--|-----------------------------------|--|------------------------------------|--|--|--|
| Petites charges d'articles légèrement sales dont on a un besoin pressant.                              | Quick Wash (Lavage Rapide)        | Extrém. sale<br>Très sale<br>Normal<br>Légèrement<br><b>Extrém.</b><br><b>Légèrement</b> | Chaude<br>Tiède<br>Frais<br>Froide | <b>Max</b><br>Rapide<br>Modéré<br>Lent<br>Pas d'essorage | Rinçage supplémentaire<br>Lavage différé<br><br>Économiseur de temps<br>Prélavage<br>Culbutage<br>antifroissement<br><br>Mon cycle | Pour laver les brassées légèrement sales le plus rapidement possible. La durée du cycle est d'environ 33 minutes, selon les options choisies.  |
| Articles de couleur foncée très sales nécessitant l'enlèvement des allergènes.                         | Sanitize (Désinfecter)            | Extrém. sale<br>Très sale<br><b>Normal</b>   | <b>Très chaude</b>                 | <b>Max</b><br>Rapide<br>Modéré<br>Lent<br>Pas d'essorage | Rinçage supplémentaire<br>Lavage différé<br>Guide du détachage<br><br>Prélavage<br>Culbutage<br>antifroissement<br><br>Mon cycle   | Utilisez ce cycle pour éliminer 99,9 % des bactéries des tissus. La température d'eau et la durée de lavage de ce cycle sont augmentées afin d'obtenir la désinfection. Un rinçage prolongé est intégré afin de retirer les contaminants. Pour les meilleurs résultats, sélectionnez l'option Extra Heavy soil (Extrêmement sale) si elle est offerte. Voir <b>REMARQUE</b> .  |
| Pour éliminer les allergènes communs tels que les acariens de la poussière et les particules animales. | Allergen (Allergène)              | Extrém. sale<br>Très sale<br><b>Normal</b><br>Légèrement<br>Extrém.<br>Légèrement        | <b>Très chaude</b>                 | <b>Max</b><br>Rapide<br>Modéré<br>Lent<br>Pas d'essorage | Rinçage supplémentaire<br>Lavage différé<br>Guide du détachage<br><br>Prélavage<br>Culbutage<br>antifroissement<br><br>Mon cycle   | Utilisez ce cycle pour éliminer les allergènes communs tels que les acariens de la poussière et les particules animales. Ce cycle utilise de l'eau à température plus élevée et un lavage prolongé dans un but de désinfection. Une purge de la pompe et un rinçage prolongé sont intégrés afin d'éliminer les contaminants. Pour les meilleurs résultats, sélectionnez l'option Extra Heavy (Extrêmement sale) si elle est présente. Le rinçage supplémentaire (Extra Rinse) est activé par défaut. Voyez la REMARQUE ci-dessous pour les détails. Le rinçage supplémentaire (Extra Rinse) est activé par défaut. |
| Pour les articles qui n'ont besoin que de rinçage, utilisez ce cycle.                                  | Rinse + Spin (Rinçage + Essorage) |  |                                    | <b>Max</b><br>Rapide<br>Modéré<br>Lent<br>Pas d'essorage | Rinçage supplémentaire<br>Lavage différé   | Pour rincer et essorer rapidement tout article à tout moment. Utilisez un essorage à haute vitesse pour extraire l'eau des articles mouillés.  |
| Utilisez ce cycle pour les articles qui nécessitent une vidange et un essorage rapides.                | Drain+Spin (Vidange+essorage)     |  |                                    | <b>Max</b><br>Rapide<br>Modéré<br>Lent<br>Pas d'essorage | Lavage différé   | Pour vidanger et essorer n'importe quel article rapidement. Utilisez un essorage haute vitesse pour extraire l'eau des articles mouillés.  |
| Nettoyage du tambour pour éliminer les résidus et les odeurs. Aucun vêtement à laver avec ce cycle.    | Tub Clean (Nettoyage du tambour)  |  |                                    |  |  | <b>Utilisation recommandée au moins une fois par mois</b> pour nettoyer la cuve des résidus et des odeurs. Ne chargez jamais de vêtements avec ce cycle, cela pourrait les endommager. Ce cycle intègre un lavage prolongé à température élevée, une agitation intense et une vidange par pompe.   |

**REMARQUE :** Les températures d'eau du cycle Sanitize (Désinfecter) et Allergen (Allergène) NE SONT PAS modifiables. Les cycles **Sanitize** sont certifiés par NSF International, une organisation tierce indépendante de testage et certification.

La certification **Sanitize** a vérifié que le cycle réduit 99,9% des bactéries habituellement trouvées dans la lessive résidentielle et qu'aucune contamination importante est transférée aux charges suivantes. Seulement le cycle **Sanitize** a été conçu pour répondre aux exigences du Protocole NSF P172 pour une désinfection efficace.

La certification Allergen vérifie que le cycle réduit d'au moins 95 % les acariens de la poussière et les particules animales. Seul le cycle Allergen est conçu pour satisfaire les spécifications du protocole P351 de la NSF relatives à l'efficacité de réduction des allergènes.



Protocole NSF P172  
Rendement de désinfection de laveuses résidentielles et commerciales, de taille familiale



Protocole NSF P351  
La réduction des allergènes de laveuses résidentielles et commerciales, de taille familiale

# UTILISATION DE LA LAVEUSE

**C**

## Soil (Saleté)



En changeant le niveau de saleté, vous augmentez ou diminuez la durée de lavage pour enlever divers montants de saleté.

Pour changer de degré de saleté (Soil), repérez la section des degrés de saleté sur l'écran du cycle et faites défiler vers le haut ou le bas jusqu'à trouver le réglage désiré. Vous pouvez choisir entre Extra Light (Très Peu Sale), Light (Peu Sale), Normal (Normal), Heavy (Très Sale) ou Extra Heavy (Extrêmement Sale).

**D**

## Temp (Température)



Ajustez pour choisir la bonne température de l'eau pour le cycle de lavage. L'eau de pré-lavage et de rinçage est toujours froide pour réduire l'utilisation d'énergie et diminuer la fixation des taches et les froissements.

Suivez l'étiquette du fabricant pour choisir la température de lavage.

Pour changer de température de lavage, repérez la section des températures (Temp) sur l'écran du cycle et faites défiler vers le haut ou le bas jusqu'à trouver le réglage désiré. Vous pouvez choisir entre Cold (Froid), Cool (Frais), Warm (Tiède), Hot (Chaud) ou Extra Hot (Très chaud).

**E**

## Spin (Essorer)



En changeant le réglage d'essorage, vous changez la vitesse de l'essorage final des cycles. Suivez toujours les instructions de l'étiquette du vêtement pour changer le réglage d'essorage.

Pour changer le réglage de l'essorage, repérez la section de l'essorage (Spin) sur l'écran du cycle et faites défiler vers le haut ou le bas jusqu'à trouver le réglage désiré. Vous pouvez choisir entre No Spin (aucun essorage), Low (basse vitesse), Medium (moyenne), High (haute) ou Max (Maximum).

Les vitesses d'essorage plus rapides enlèvent plus d'eau des vêtements, et aident à réduire le temps de séchage, mais augmentent également la possibilité de froisser certains tissus.

**F**

## Rinse (Rinçage)



Une modification du rinçage (Rinse) changera le nombre de rinçages qui seront utilisés par un cycle. Pour changer le réglage du rinçage, repérez la section du rinçage (Rinse) sur l'écran du cycle et faites défiler vers le haut ou le bas jusqu'à trouver le réglage désiré. Vous pouvez choisir entre Normal (Normal), Extra (Supplémentaire) et No rinse (aucun rinçage).

**G**

## Delay Wash (Lavage à retardement)



Utilisez pour différer le démarrage de votre laveuse.

1. Choisissez votre cycle de lavage et les options.
2. Dans la section **Lavage à retardement**, vous pouvez modifier le délai par unités de 1 heure, jusqu'à 24 heures.
3. Maintenez une pression sur le bouton **Marche** durant 1 secondes pour démarrer le décompte. Le délai sélectionné n'apparaît pas sur l'écran. Seul le temps estimé du cycle sera visible. Une fois la période de délai terminée, le cycle de séchage sélectionné va démarrer.

**REMARQUE :** Si la porte est ouverte pendant que la sècheuse est en période de **Lavage à retardement**, le décompte ne redémarrera pas à moins que la porte soit fermée et le bouton **Marche** pressé de nouveau.

# UTILISATION DE LA LAVEUSE

**H**

## Stain Removal Guide (Guide du détachage)



Le guide du détachage comporte les meilleurs réglages préprogrammés de lavage et rinçage afin de venir à bout des cinq principaux types de taches : Pour utiliser cette fonction, sélectionnez le cycle de lavage désiré puis repérez le menu du guide de détachage (**Stain Removal Guide**) et sélectionnez le type de tache à faire disparaître. Ensuite, pressez **Start** (Marche).

Pour certaines taches, un pré-lavage sera sélectionné automatiquement. Selon votre souhait, vous pouvez ajouter du détergent ou un additif de lessive dans le distributeur de pré-lavage. L'option **Add Steam** (Ajouter de la vapeur) ne peut être sélectionnée avec cette fonction.

**I**

## Options

### PreWash (Pré-lavage)



Pré-lavage est un lavage supplémentaire avant le lavage principal. Utilisez-le pour les vêtements très sales ou pour les vêtements dont l'étiquette recommande un pré-lavage avant le lavage. Assurez-vous d'ajouter du détergent liquide ou en poudre à rendement élevé ou le bon additif de lavage au distributeur de pré-lavage. La fonction de PreWash (Pré-lavage) déclenche les étapes suivantes : remplissage de la laveuse avec de l'eau (ajout du détergent de pré-lavage), culbutage des vêtements, évacuation et essorage. Ensuite, la laveuse exécute le cycle de lavage sélectionné. NOTE : Le PreWash (Pré-lavage) n'est pas automatiquement sélectionné et doit l'être avant de démarrer le cycle.

### Tumble Care (Culbutage antifrissage)

Renouvelle le culbutage de vos vêtements périodiquement durant une période allant jusqu'à 8 heures après la fin du cycle de lavage afin de réduire le froissement et les faux plis lorsque vous ne pouvez pas mettre les vêtements dans la sècheuse immédiatement. À la fin du cycle, l'afficheur fera défiler « END » (Fin) et après dix minutes le culbutage antifrissage (**Tumble Care**) va démarrer. On peut l'arrêter à tout moment en pressant le bouton **Power** (Alimentation). **REMARQUE :** L'option **Tumble Care** (Culbutage antifrissage) ne peut pas s'ajouter à la fonction **My Cycle** (Mon cycle).

### Steam (Vapeur)

Cette option ajoute de la vapeur tôt dans le cycle pour contribuer à déloger les taches dans les cycles **Whites** (Blancs), **Normal**, **Casuals** (Tout-Aller), **Bulky Items** (Articles volumineux), **Jeans**, **Towels/Sheets** (Serviettes/draps), **Active Wear** (Tenue active), and **Baby Care** (Soin de bébé) cycles.

Mode d'emploi :

1. Mettez l'appareil sous tension (**ON**) et sélectionnez le cycle de lavage offrant l'option **Steam** (Vapeur).
2. Sélectionnez le bouton **Add Steam** (Ajouter de la vapeur) pour activer la génération de vapeur.
3. Pressez le bouton **Start/Pause** (Départ/Pause).

### Time Saver (Sauve-temps)

Utilisez cette option pour réduire le cycle de lavage global d'au moins 20% sans sacrifier les performances de lavage. Cette fonction est disponible pour tous les programmes sauf les programmes de **Quick Wash** lavage rapide, **Sanitize** (Désinfection), **Allergen** (Allergène), **Rinse+Spin** (Rinçage + Essorage), **Drain+Spin** (Vidange + Essorage) et **TubeClean**. Cette option modifiera le cycle de lavage en augmentant légèrement la température de lavage et en utilisant plus d'eau pour obtenir des performances de lavage égales à celles du cycle de base. Toutes les autres fonctionnalités, telles que **Prewash** (Pré-lavage), **Extra Rinse** (Rinçage supplémentaire), **Add Steam** (Ajouter de la vapeur), etc., peuvent être utilisées avec **Time Saver** (Sauve-temps) mais peuvent ajuster le temps total de lavage.

Utilisation :

1. Mettez la laveuse en marche et sélectionnez le cycle de lavage offrant l'option **Time Saver** (Sauve-temps).
2. Effectuez les réglages nécessaires pour **Soil** (Saleté), **Temp** (Température) et **Spin** (Essorage).
3. Appuyez sur le bouton **Time Saver** (Sauvetemps) pour réduire la durée générale du lavage.
4. Appuyez sur le bouton **Start/Pause** (Mise en marche/Pause).

**J**

My Cycle (Mon cycle)



## My Cycle (Mon cycle)

Choisissez votre combinaison de réglages favoris pour chaque cycle et sauvegardez-les ici pour rappel d'une seule touche. On peut sélectionner ces réglages personnalisés pendant que le cycle est en cours.

**REMARQUE :** Vous pouvez mémoriser une combinaison de réglages **My Cycle** (Mon cycle) pour chaque cycle.

**Pour mémoriser une combinaison de réglages My Cycle :**

1. Sélectionnez votre cycle de séchage.
2. Choisissez les réglages **Temp** (Température) et **Level** (Degré de saleté) selon vos besoins.
3. Sélectionnez toute option de séchage que vous souhaitez.
4. Maintenez une pression sur < ★ > durant 3 secondes pour mémoriser votre sélection. Un bip retentira et le bouton s'illuminera.

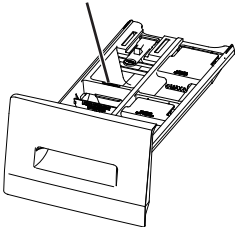
**Pour rappeler votre combinaison My Cycle mémorisée :**

Sélectionnez le cycle et pressez < ★ > avant de sécher la brassée.

**Pour modifier votre combinaison My Cycle mémorisée :**

Répétez les étapes 1 à 4.

PreWash  
Compartment



# UTILISATION DE LA LAVEUSE

## K Démarrer le cycle



## Mettre le cycle en pause



## Start/Pause (Départ/Pause)

Pressez le bouton pour démarrer le cycle de lavage. Si la laveuse fonctionne, presser une fois ce bouton mettra la laveuse en pause et déverrouillera la porte. On peut utiliser cette fonction pour ajouter des articles pendant le cycle. Pressez de nouveau pour redémarrer le cycle de lavage.

### Start (Marche)

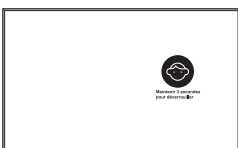
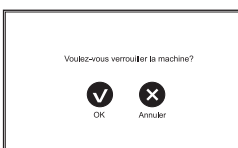
Maintenez une pression durant 1 seconde durant 1 seconde pour démarrer ou redémarrer un cycle.

### Pause (Pause)

Si la laveuse fonctionne, maintenez une pression durant 1 seconde pour mettre le cycle en pause. On peut utiliser cette fonction pour ajouter des articles pendant le cycle.

**REMARQUE :** Si la laveuse est en pause et que le cycle n'est pas redémarré au bout de 15 minutes, le cycle de lavage actuel sera annulé.

## L Symbole de cadenas



## Lock (Verrouillage)

Vous pouvez verrouiller les commandes pour éviter toute sélection. Ou vous pouvez verrouiller ou déverrouiller les commandes après avoir commencé un cycle.

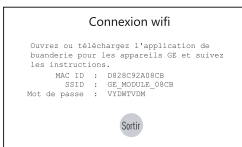
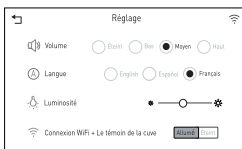
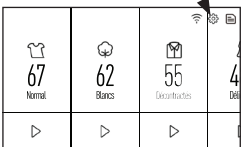
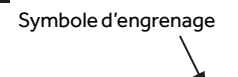
Les enfants ne peuvent pas démarrer accidentellement la sècheuse en appuyant sur des touches lorsque cette option est sélectionnée.

Pour verrouiller les commandes de la laveuse, maintenez une pression sur le symbole de verrouillage <🔒> dans le coin supérieur droit durant 3 secondes et un écran de verrouillage apparaîtra.

Pour déverrouiller les commandes de la laveuse, maintenez une pression sur le symbole de déverrouillage <🔓> durant 3 secondes et l'écran de verrouillage disparaîtra.

**REMARQUE :** On peut encore utiliser le bouton **Power** (Alimentation) lorsque l'appareil est verrouillé.

## M Symbole d'engrenage



## Settings (Paramètres)

Sélectionnez le symbole d'engrenage <⚙️> dans le coin supérieur droit pour accéder à l'écran **Settings** (Paramètres).

### Volume

Lorsque le panneau de commande est allumé, la laveuse émet un bip à la fin du cycle et chaque fois que vous pressez un bouton sur le panneau.

Utilisez la touche des options pour choisir High (Haut), Med (Moyen), Low (Bas) ou Off (Désactivé).

**REMARQUE :** Le degré du volume sonore choisi s'applique aussi bien pour le bip de fin de cycle que pour celui des touches.

### Langue

Utilisez la touche des options pour choisir English (Anglais), Spanish (Espagnol) ou French (Français).

### Luminosité

Pour modifier la luminosité de l'écran, utilisez le curseur de luminosité pour aller de plus sombre à plus clair.

### Connexion WiFi + Le témoin de la cuve

Utilisez le bouton à bascule **Connexion WiFi + Le témoin de la cuve** pour activer ou désactiver cette fonction. Ce bouton permet d'activer la fonction Connexion WiFi et d'allumer ou éteindre la lampe du tambour lorsque la porte est ouverte et fermée. Suivez les directives de l'écran Connexion WiFi à l'aide des instructions fournies pour installer l'application GEA Laundry. En position désactiver, ce bouton désactive la fonction Connexion WiFi et l'usage de la lampe du tambour.

**REMARQUE :** Lorsque l'application GEA Laundry est installée dans la laveuse, il se peut qu'un nouveau logiciel soit prêt à installer. Après l'approbation de l'installation du nouveau logiciel via l'application GEA Laundry, la lampe du tambour de la laveuse clignotera durant l'installation du logiciel. La lampe du tambour cessera de clignoter et s'éteindra une fois l'installation du logiciel terminée.

# UTILISATION DE LA LAVEUSE

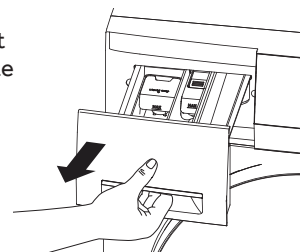
## Tiroir distributeur

Ouvrez lentement le tiroir distributeur en le tirant jusqu'à son arrêt final.

Après avoir ajouté vos produits de lavage, fermez lentement le tiroir distributeur. Si vous fermez le tiroir trop vite, vous risquez de distribuer l'adoucissant ou le détergent trop tôt.

Vous pouvez voir de l'eau dans le compartiment d'adoucissant à la fin du cycle. C'est occasionné par l'action de vidange/siphonnage et cela fait partie du fonctionnement normal de la laveuse.

Utilisez seulement le détergent à haute efficacité HE



## Compartiment de détergent

• **Mettez seulement du détergent à haute efficacité dans la laveuse. Mesurez la quantité recommandée par le fabricant du détergent. NE PAS remplir au-dessus de la ligne MAX.**

• Le détergent est évacué du distributeur au début du cycle de lavage. On peut utiliser du détergent en poudre ou du détergent liquide haute efficacité.

• Vous devez peut-être ajuster l'utilisation du détergent à la température de l'eau, à la dureté de l'eau, à la taille et au niveau de saleté de la charge. Évitez d'utiliser trop de détergent dans votre laveuse car cela peut provoquer des traces de détergent et de mousse sur les vêtements.

### Systeme du séparateur du tiroir (certains modèles)

Le compartiment de détergent est à l'avant du côté gauche du tiroir distributeur.

#### • Détergent en poudre –

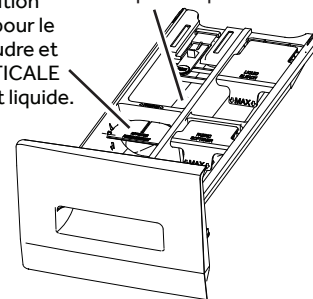
Verrouillez la carte de détergent dans sa position supérieure dans le compartiment. Assurez-vous que la carte soit verrouillée, puis versez la quantité suggérée de détergent en poudre dans le distributeur de détergent.

#### • Détergent liquide –

Verrouillez verticalement la carte de détergent dans sa position centrale compartiment. Assurez-vous que la carte soit verrouillée, puis versez la quantité de détergent liquide suggérée dans le distributeur de détergent.

Compartiment pré-lavage (no godet) – Utiliser pour détergent liquide et poudre

Verrouillé en position HORIZONTALE pour le détergent en poudre et en position VERTICALE pour le détergent liquide.

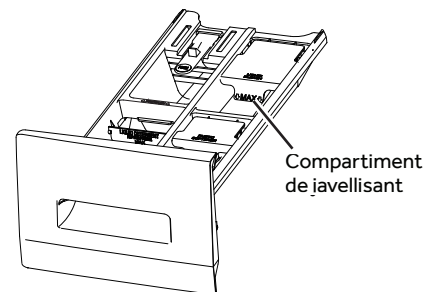


## Compartiment du javellisant

Si vous le souhaitez, mesurez la quantité de javellisant liquide, sans dépasser 1/3 tasse (80 ml), et versez dans le compartiment de droite libellé « LIQUID BLEACH » (Javellisant liquide).

Ne dépassez pas la ligne de remplissage maximal. Trop remplir peut causer la distribution hâtive du javellisant et ainsi endommager les vêtements.

**REMARQUE :** N'utilisez pas de javellisant en poudre dans le distributeur.



## Compartiment d'adoucissant

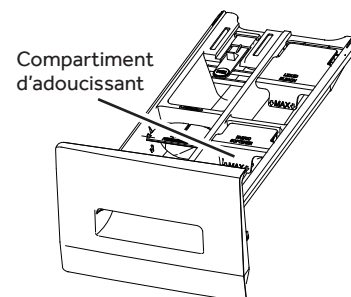
Si vous le désirez, versez le montant recommandé d'adoucissant liquide dans le compartiment étiqueté FABRIC SOFTENER (adoucissant).

N'utilisez que de l'adoucissant liquide dans le distributeur.

Diluez avec de l'eau jusqu'à la ligne maximum de remplissage.

Ne dépassez jamais la ligne maximum de remplissage. Si vous mettez trop d'adoucissant, cela risque de provoquer une distribution prématurée d'adoucissant, qui peut tacher vos vêtements.

**NOTE :** Ne mettez jamais d'adoucissant directement dans la charge à laver.





# CHARGEMENT

Respectez toujours l'étiquette d'entretien du fabricant lors de la lessive.

## Tri du linge

Triez le linge par couleur (blancs, clairs, couleurs), degré de saleté, type de tissu (coton robuste, tissu à entretien facile, tissu délicat) et en fonction de la charpie qu'il produit (tissu éponge, tissu chenille) ou qu'il ramasse (velvétine, velours côtelé). Lavez les articles qui génèrent de la charpie, tels que les serviettes de coton et les bas, séparément des articles qui la collectent, par exemple les vêtements synthétiques et les pantalons habillés.

### **AVERTISSEMENT** - Risque d'incendie

**NE** lavez **PAS** les tissus contaminés avec des liquides inflammables ou des solvants de nettoyage.

Aucune laveuse ne peut éliminer l'huile totalement.

**NE** lavez ou séchez **RIEN** qui a été trempé ou éclaboussé avec tout type d'huile (y compris les huiles de cuisson).

**NE** mettez **PAS** à la main dans la machine à laver jusqu'à ce que toutes les pièces mobiles soient arrêtées.

Cela peut entraîner la mort, une explosion, un incendie ou une amputation.

## Chargement de la laveuse

Vous pouvez charger complètement le tambour de lavage en ajoutant les articles lachement.

Pour ajouter des articles après avoir mis en marche la laveuse, appuyez sur **Pause** (Pause) et attendez que la porte soit déverrouillée. La laveuse peut prendre jusqu'à 30 secondes pour déverrouiller sa porte après que vous ayez appuyé sur **Pause** (Pause), selon les conditions. N'essayez pas de forcer la porte pour l'ouvrir quand elle est verrouillée. Quand la porte est déverrouillée, ouvrez doucement. Ajoutez les articles, refermez la porte et appuyez sur **Start** (Mise en marche) pour remettre en marche.

Vous pouvez charger complètement le tambour de lavage en ajoutant les articles lachement.

### Exemples de brassées

| VÊTEMENTS DE TRAVAIL                                       | LINGE DE MAISON   | BRASSÉES MIXTES  | TISSUS DÉLICATS*   | LAVAGES RAPIDES (2 à 3 vêtements)  |
|--|---|--|--|--|
| 3 Jeans<br>3 chemises de travail<br>2 pantalons de travail | 1 drap de bain<br>6 serviettes de bain/<br>8 débarbouillettes<br>4 essuie-mains/<br>1 tapi de baignoire<br>en tissu éponge<br><b>OU</b><br>1 drap plat format grand lit<br>1 drap-housse format grand lit<br>2 taies d'oreiller | 2 taies d'oreiller<br>1 essuie-main<br>1 drap plats<br>1 drap-housse<br>2 serviettes de bain/<br>2 débarbouillettes<br><b>OU</b><br>4 chemises (homme ou femme)<br>3 pantalons (kakis ou tissus croisés)<br>3 tee-shirts<br>4 boxeurs<br>2 caleçons<br><b>OU</b><br>4 tee-shirts<br>2 pantalons molletonnés<br>2 pulls molletonnés<br>1 kangourou<br>5 paires de bas | 4 soutiens-gorge<br>4 culottes<br>2 slips<br>1 camisole<br>3 chemises de nuit<br><br>*On recommande de placer les petits articles dans un sac en filet de nylon. | 2 chemises sport<br>1 pantalon sport<br><b>OU</b><br>3 uniformes de soccer |

# ENTRETIEN ET NETTOYAGE

## Flexibles d'alimentation d'eau

Inspectez régulièrement tous les flexibles d'alimentation d'eau afin de détecter des signes de fuites d'eau, d'usure, de coupures, de corrosion et de bombements. Remplacez les flexibles immédiatement si des signes de cette nature apparaissent. Pour réduire le risque de défaillance des flexibles et de dégâts d'eau, ceux-ci doivent être remplacés tous les 5 ans d'utilisation. Lorsque vous remplacez des flexibles, reportez-vous aux instructions d'installation pour vous assurer d'une installation correcte. **ÉVITEZ** de trop serrer les raccords et de fausser leur filetage. Les flexibles **NE** doivent **PAS** frotter contre des objets coupants ni présenter des plis ou des étirements trop prononcés. Vérifiez toujours que les joints d'étanchéité en caoutchouc des flexibles sont installés et exempts de fuites lorsqu'ils sont sous pression.

## Extérieur

Essayez immédiatement tout débordement. Essayez avec un linge humide. Essayez ou époussetez les renversements ou les produits de lavage avec un linge humide. Le panneau de commande et le fini de la laveuse peuvent être endommagés par certains détachants et produits de prétraitement. Appliquez ces produits à l'écart de la laveuse. Le tissu peut ensuite être lavé et séché normalement. Les dommages à votre laveuse causés par ces produits ne sont pas couverts par votre garantie. Ne frappez jamais la surface avec des objets aiguisés.

## Intérieur

Séchez autour de l'ouverture de la porte de la laveuse, du joint flexible (y compris les tuyaux) et de la porte en verre. Ces surfaces doivent être toujours propres pour assurer que le joint soit bien imperméable.

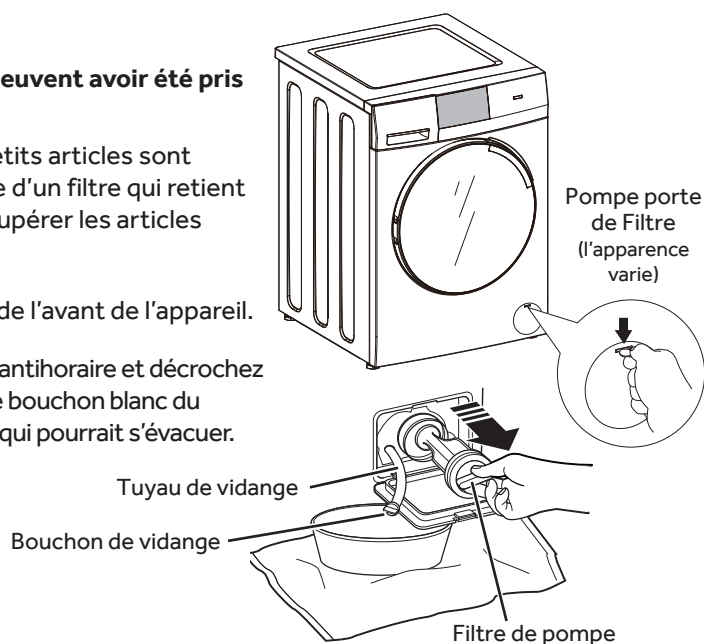
Il est recommandé de rincer la machine à laver au moins une fois par mois avec 1 tasse (250 ml) d'eau de javel (ou tout autre produit disponible dans le commerce fabriqué à cet effet, tel que le nettoyant pour laveuse Tide®) versée directement dans le panier sans vêtements et en utilisant le cycle **Tub Clean** (Nettoyage de la Cuve).

## Filtre de la pompe

**Nettoyez CHAQUE MOIS pour enlever tous les éléments qui peuvent avoir été pris dans le filtre ou dans le boîtier.**

Étant donné la nature d'une laveuse à chargement frontal, de petits articles sont susceptibles d'être aspirés par la pompe. La laveuse est équipée d'un filtre qui retient les articles perdus lorsqu'ils sont évacués vers le drain. Pour récupérer les articles perdus, nettoyez le filtre de pompe.

- 1 Ouvrez en l'écartant la porte dans la partie inférieure droite de l'avant de l'appareil.
- 2 Tournez le petit capuchon blanc d'un quart de tour dans le sens antihoraire et décrochez le petit tuyau en caoutchouc. Sortez le tuyau du trou et retirez le bouchon blanc du tuyau de vidange au-dessus d'un petit bac pour récupérer l'eau qui pourrait s'évacuer. Vidangez le surplus d'eau. Remplacez.
- 3 Dévissez le filtre de la pompe. Rincez les débris. Remplacez.
- 4 Fermez la porte d'accès.

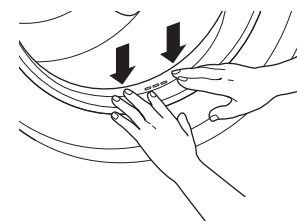


## Joint d'étanchéité de la porte

Ouvrez la porte de la laveuse. Avec les deux mains, poussez le joint d'étanchéité vers le bas. Enlevez tout objet étranger qui pourrait se trouver dans le joint. Assurez-vous que rien ne bloque les orifices derrière le joint.

Tout en maintenant le joint en position basse, inspectez-en l'intérieur en tirant vers le bas avec les doigts. Enlevez tout objet étranger qui pourrait se trouver dans le joint. Assurez-vous que rien ne bloque les orifices derrière le joint.

Une fois le nettoyage terminé, retirez vos mains et les joints retourneront à ses positions normales.

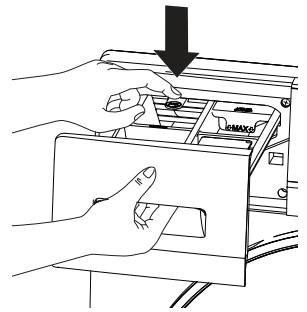


# ENTRETIEN ET NETTOYAGE

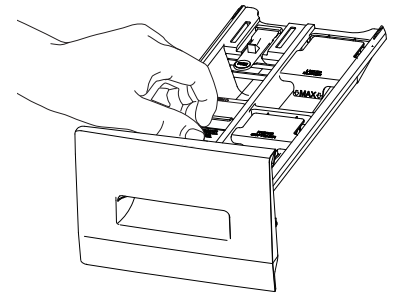
## Emplacement du tiroir distributeur

Le détergent et l'adoucisseur peuvent s'amasser dans le tiroir distributeur. Il faut enlever ces résidus une ou deux fois par mois.

- Enlevez le tiroir en le tirant d'abord jusqu'à ce qu'il s'arrête. Puis atteignez le centre arrière de la cavité du tiroir et appuyez fermement sur la patte de verrouillage, en tirant le tiroir.

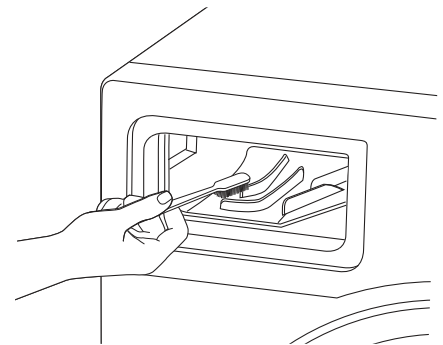


- Retirez toutes les tasses et les insertions du tiroir distributeur. Rincez à l'eau chaude les insertions, les tasses et le tiroir pour faire disparaître les traces de produits de lavage qui se sont accumulées.



- Pour nettoyer l'ouverture du tiroir, utilisez une petite brosse pour l'intérieur. Enlevez tout résidu en haut et en bas de l'intérieur.
- Remettez les insertions dans leur bon compartiment. Remettez en place le tiroir de distribution.
- Pour réduire l'accumulation dans le tiroir de distribution :

Utilisez seulement  
un détergent à  
haute efficacité HE.



## Déménagement et rangement

Demandez au technicien de service d'enlever l'eau de la pompe et des tuyaux de vidange. Ne rangez jamais la laveuse dans un endroit où elle est exposée au mauvais temps. Quand vous déménagez la laveuse, vous devez immobiliser le bassin de lavage en utilisant les boulons d'expédition enlevés pendant l'installation. Consultez les Instructions d'installation dans ce manuel. Si vous n'avez pas ces pièces, visitez notre site web à [fr.haiercanada.ca/parts](http://fr.haiercanada.ca/parts).

## Longues vacances

Assurez-vous de fermer tous les robinets d'alimentation de l'eau. Vidangez toute l'eau des tuyaux si la température risque de descendre en dessous de celle de gel.

# INSTRUCTIONS D'INSTALLATION

# LAVEUSE

Visitez notre site web à [fr.haiercanada.ca](http://fr.haiercanada.ca)

## AVANT DE COMMENCER

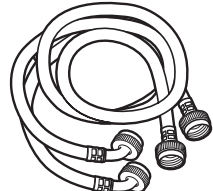
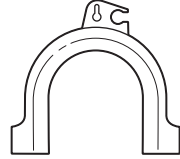

Lisez ces instructions entièrement et soigneusement.

- **IMPORTANT** – Conservez ces instructions pour l'inspecteur local.
- **IMPORTANT** – Observez tous les codes et les ordonnances en vigueur.
- **Note à l'installateur** – Assurez-vous de laisser ces instructions au consommateur.
- **Note au consommateur** – Conservez ces instructions à titre de référence.
- **Niveau de compétences** – L'installation de cet appareil électroménager nécessite des compétences mécaniques et électriques de base.
- **Temps d'installation** – 1-3 heures
- L'installateur est responsable de bien installer cet appareil.
- Toute panne de produit due à une mauvaise installation n'est pas couverte par la garantie.

## OUTILS NÉCESSAIRES POUR INSTALLER LA LAVEUSE

- Niveau 
- Clé (fournie) 
- Pince multiprise à crémaillère 

## PIÈCES FOURNIES

- Flexibles d'eau (2)  
(Rondelles plates préinstallées) 
- Guide de tuyau 
- Ligature de câble 

## EMPLACEMENT DE VOTRE LAVEUSE

**N'installez jamais votre laveuse :**

1. Dans un endroit exposé à de l'eau qui coule ou aux conditions climatiques extérieures. La température ambiante ne doit jamais être inférieure à 15,6°C (60°F) pour que la laveuse fonctionne bien.
2. Dans un endroit où elle entre en contact avec des tentures ou des rideaux.
3. Sur un tapis. Le sol **DOIT** être une surface dure avec une pente maximum de 1,27 cm per 30 cm (1/2 pouce par pied). Pour vous assurer que la laveuse ne vibre pas ou ne bouge pas, il est possible que vous deviez renforcer le plancher.

**REMARQUE :** Si le plancher est en mauvais état, utilisez une feuille de contreplaqué traité de 3/4 po. fixé solidement à la couverture de plancher actuelle.

**IMPORTANT:**

### Espaces libres minimum pour l'installation

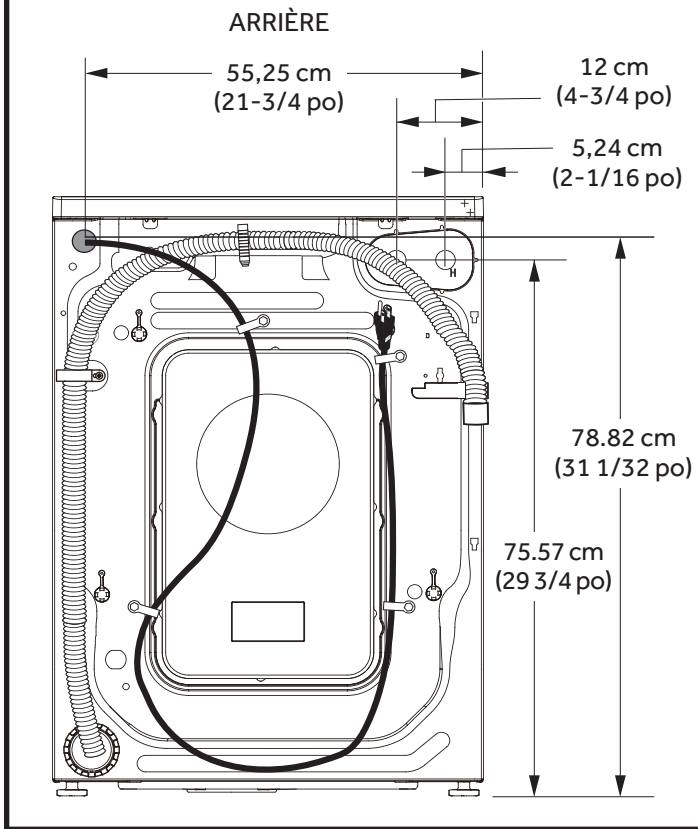
- Installation dans une alcôve : Côtés/Arrière = 0 cm et Haut = 2,54 cm (1 po.)
- Installation dans un placard : Côtés/Arrière = 0 cm et Haut/Avant = 2,54 cm (1 po.)
- Il faut veiller à procurer le dégagement nécessaire à l'installation et aux interventions de service.
- Les portes du placard doivent être perforées ou bien ventilées et disposer d'au moins 387,1 cm<sup>2</sup> (60 pouces carrés) d'espace. Si le placard abrite une laveuse et une sècheuse, les portes doivent disposer de 774,2 cm<sup>2</sup> (120 pouces carrés) au minimum d'espace ouvert.

## INSTALLATION EN MAISON MOBILE :

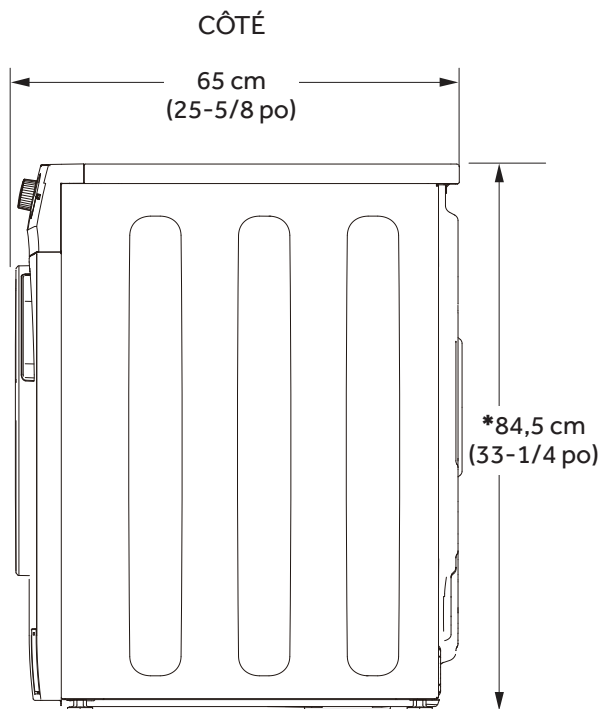
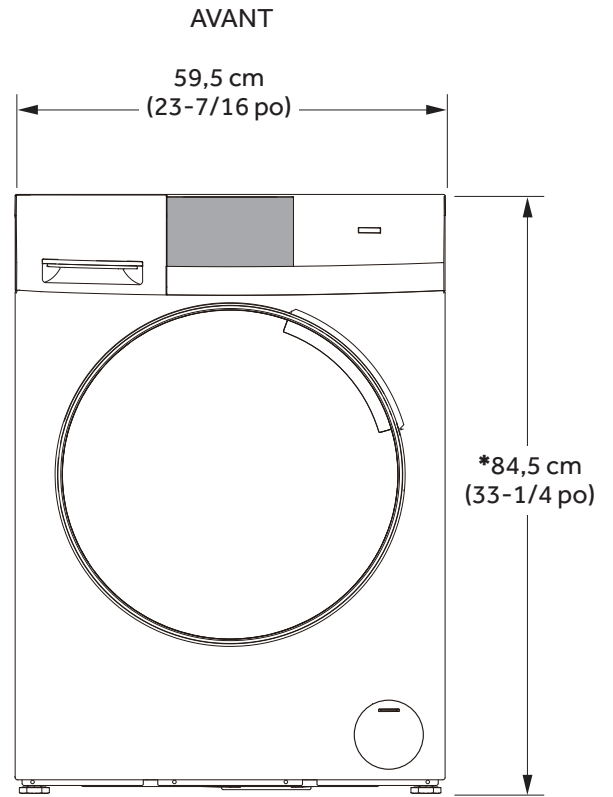
L'installation doit satisfaire les normes suivantes : Standard for Mobile Homes, ANSI A119.1 et National Mobile Home Construction and Safety Standards Act of 1974 (PL93-383).

# INSTRUCTIONS D'INSTALLATION

## DIMENSIONS DE CONNEXION



## DIMENSIONS APPROXIMATIVES



### \*NOTE :

Pieds de nivellement rétractés = 84,5 cm (33-1/4 po)

Pieds de nivellement sortis = 85,5 cm (33-3/4 po)

Superposé = 66-1/2" (169 cm)

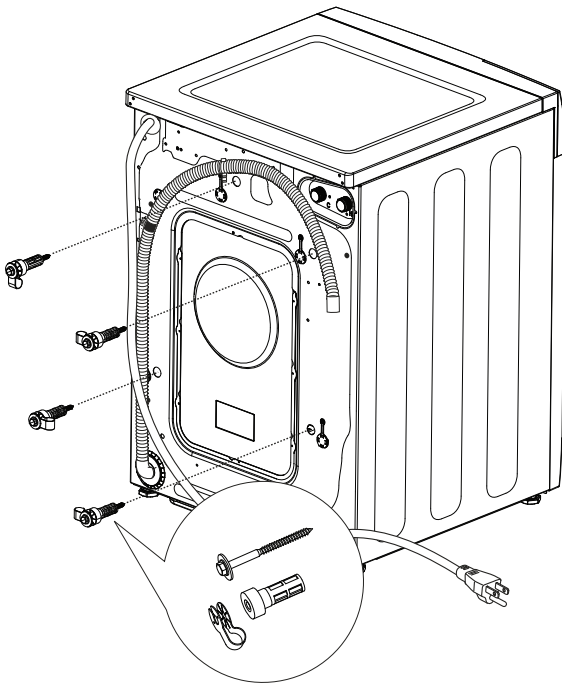
# INSTRUCTIONS D'INSTALLATION

## DÉBALLAGE DE VOTRE LAVEUSE

**⚠ AVERTISSEMENT** Recyclez ou détruisez le carton et les sacs en matière plastique après avoir déballé votre laveuse. Mettez ces matériaux hors de la portée des enfants. Les enfants peuvent être tentés de les utiliser pour jouer. Les cartons recouverts de tapis, de couve-lit, ou de drap en matière plastique peuvent devenir des chambres hermétiquement closes risquant d'étouffer des enfants.

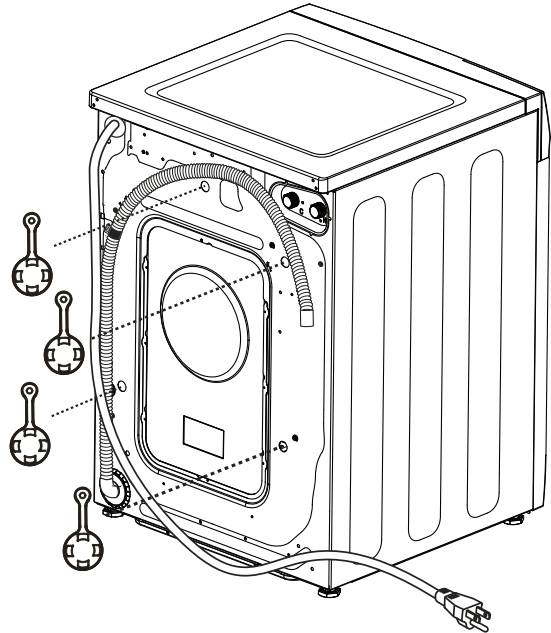
1. Coupez et enlevez toutes les sangles d'emballage.
2. Alors qu'elle est dans le carton, posez avec soin la laveuse sur son côté. **NE LAISSEZ JAMAIS** reposer la laveuse sur son avant ou son arrière.
3. Tournez vers le bas les rebords du bas—enlevez tout l'emballage de base, y compris la base en styrofoam.
4. Remettez soigneusement la laveuse debout et enlevez le carton.
5. Amenez soigneusement la laveuse à moins de 4 pieds (122 cm) de son emplacement final.
6. Enlevez les pièces suivantes de l'arrière de la laveuse :  
4 boulons  
4 bagues en matière plastique (y compris les anneaux en caoutchouc)

**NOTE :** NE retirez PAS la vis ou le clip tenant le tuyau.



## DÉBALLAGE DE VOTRE LAVEUSE (suite)

7. Insérez les capuchons des trous de boulons d'expédition dans les trous des boulons d'expédition.



### NOTES :

- Si vous n'enlevez pas les cales d'expédition, vous risquez de déséquilibrer sérieusement la laveuse.
- **IMPORTANT :** Conservez tous les boulons pour un usage futur.

Si vous devez transporter la laveuse à une date future, vous devez remettre en place la quincaillerie de soutien d'emballage pour éviter tout dommage pendant le transport. Conservez la quincaillerie dans le sac en matière plastique fourni.

**REMARQUE :** Considérez les options de recyclage des matériaux d'emballage de votre électroménager.

# INSTRUCTIONS D'INSTALLATION

## EXIGENCES ÉLECTRIQUES

### ⚠ AVERTISSEMENT - Risque d'électrocution

Brancher à une prise de courant à 3 broches mise à la terre.

**NE PAS** retirer la broche de contact de mise à la terre.

**N'UTILISEZ** pas de rallonge électrique.

**N'UTILISEZ** pas d'adaptateur de prise.

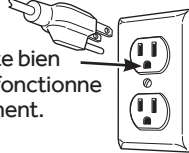
Le non-respect de ces instructions pourrait entraîner un décès, un incendie ou un choc électrique.

**CIRCUIT** - Individuel, correctement polarisé et mis à la terre, disjoncteur ou fusible temporisé de 15 ou 20 ampères.

**ALIMENTATION ÉLECTRIQUE** – 2 fils plus la mise à la terre, 120 volts, monophasé, 60 Hz, courant alternatif.

**Prise Électrique** – Prise à 3 voies correctement mise à la terre située de façon à ce que le cordon soit accessible lorsque la laveuse est installée dans sa position définitive.

Assurez-vous au préalable qu'une mise à la terre existe bien et qu'elle fonctionne correctement.



Si la prise n'est qu'à 2 voies, il est de la responsabilité du propriétaire de demander à un électricien agréé de la remplacer par une prise à 3 voies correctement mise à la terre.

La laveuse doit être correctement mise à la terre conformément aux codes locaux de l'électricité, ou dans l'absence de codes locaux, à la dernière édition du Code Électrique National, ANSI/NFPA NO. 70 ou au Code Électrique Canadien CSA C22.1. Demandez à un électricien agréé de vérifier la connexion si vous n'êtes pas certain que la laveuse est correctement mise à la terre.

## INSTRUCTIONS DE MISE À LA TERRE

Cet appareil doit être mis à la terre. Dans l'éventualité d'un mal fonctionnement ou d'une panne, la mise à la terre réduit le risque de choc électrique en procurant un circuit de moindre résistance au courant électrique. Cet appareil comporte un cordon doté d'un conducteur de mise à la terre de l'appareillage et d'une fiche de mise à la terre. La fiche doit être branchée dans une prise compatible correctement installée et mise à la terre conformément à tous les codes et règlements en vigueur.

**⚠ AVERTISSEMENT** Une connexion incorrecte du conducteur de mise à la terre de l'appareillage peut poser un risque de choc électrique. Consultez un électricien ou réparateur qualifié si vous doutez que l'appareil soit correctement mis à la terre. **NE** modifiez **PAS** la fiche du cordon d'alimentation. Si elle ne s'insère pas dans la prise, demandez à un électricien agréé de poser une prise appropriée.

Si les codes locaux l'exigent, un fil de terre extérieur en cuivre de calibre 18 ou supérieur (non fourni) peut être ajouté. Fixer à l'enceinte de la laveuse à l'aide d'une vis à tôle #10-16 x 1/2 po (dans toute bonne quincaillerie) à l'arrière de la laveuse.

### ⚠ AVERTISSEMENT - Risque d'électrocution

Débranchez l'alimentation électrique avant la réparation. Remettez toutes les pièces et panneaux en place avant d'utiliser l'appareil.

L'omission de prendre ces précautions peut provoquer la mort ou l'électrocution.

**⚠ AVERTISSEMENT - Risque d'électrocution** Certaines pièces internes sont intentionnellement non mises à la terre et peuvent présenter un risque de choc électrique lors d'un entretien.

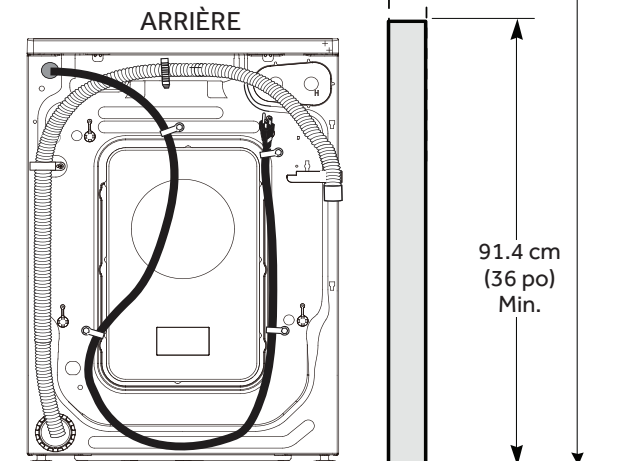
**Personnel de réparateur – NE PAS** toucher aux composants suivants lorsque l'appareil est sous tension : Électrovanne, Pompe de vidange, NTC et Module de commande du moteur.

## EXIGENCES D'ALIMENTATION D'EAU

Vous DEVEZ installer des robinets d'eau chaude et froide à moins de 42 pouces (107 cm) de l'entrée d'eau de votre laveuse. Les robinets DOIVENT être des robinets de jardin de 1,9 cm (3/4 po.), pour pouvoir brancher les tuyaux d'entrée. La pression de l'eau DOIT être entre 10 et 120 livres par pouce carré. Votre service d'eau peut vous indiquer votre pression d'eau. La température de l'eau chaude doit être réglée de manière à fournir de l'eau à une température de 48°C à 60°C (120°F à 140°F) pour obtenir un rendement adéquat de la commande de température automatique (ATC).

## EXIGENCES DE VIDANGE

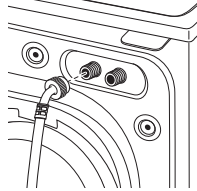
1. Une vidange capable d'éliminer 36 L (9.5 gals) par minute.
2. Un diamètre minimum de tuyau ascendant de 3,18 cm (1 1/4 po.)
3. La hauteur du tuyau ascendant au dessus du plancher doit être la suivante :  
Hauteur minimum : 91.4 cm (36 po.)  
Hauteur maximum : 147 cm (58 po.)



# INSTRUCTIONS D'INSTALLATION

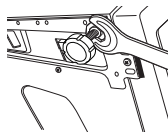
## INSTALLATION DE LA LAVEUSE

1. Faites couler un peu d'eau des robinets chaud et froid pour purger les tuyaux d'eau et enlever les particules qui peuvent boucher les tamis de robinet d'eau.
2. Enlevez les tuyaux d'entrée d'eau du sac en matière plastique. Retirez les rondelles en caoutchouc noires du sac et insérez-les dans le raccord de tuyau avant de le raccorder à l'appareil.
3. (extrémité coudée 90°)  
Branchez soigneusement le tuyau d'entrée marqué HOT (chaud) à la sortie extérieure du robinet d'eau marquée H. Serrez à la main, puis serrez encore 2/3 de tour avec des pinces. Branchez soigneusement l'autre tuyau d'entrée à la sortie intérieure du robinet d'eau marquée C (froide). Serrez à la main, puis serrez encore 2/3 de tour avec des pinces. **Ne faussez pas le filetage ou ne serrez pas trop ces branchements.**
4. Branchez les extrémités du tuyau d'entrée aux robinets d'eau CHAUDE et FROIDE, en serrant légèrement à la main, puis en serrant encore 2/3 de tour avec des pinces. Ouvrez l'eau et vérifiez qu'il n'y ait pas de fuite.



5. Amenez soigneusement la laveuse dans son emplacement final. Mettez gentilement la laveuse à sa place, en la balançant. Il est important de ne pas endommager les pattes de nivellement en caoutchouc lorsque vous déplacez la laveuse vers sa position finale. Des pattes endommagées peuvent accroître les vibrations produites par la laveuse. La vaporisation de nettoyant à vitres sur le plancher peut faciliter le déplacement de la laveuse vers sa position finale. **NOTE : Afin de réduire les vibrations, assurez-vous que les quatre pattes de nivellement reposent fermement au plancher. Poussez et tirez sur l'arrière de la laveuse du côté droit, puis du côté gauche pour ajuster les pattes.**  
**NOTE :** N'essayez jamais de soulever la laveuse par sa porte ou par son tiroir distributeur.  
**NOTE :** Si vous installez dans un bac de vidange, vous pouvez utiliser un 2 x 4 long de 24 po. pour bien mettre à l'horizontale la laveuse.

6. La laveuse dans son emplacement final, placez un niveau à bulle sur la laveuse (si elle est installée sous un comptoir, elle ne doit pas bouger). Ajustez les pattes de nivellement avant vers le haut ou vers le bas pour vous assurer qu'elle ne bouge pas. Tournez les contre-écrous de chaque patte vers la base de la laveuse et serrez avec une clé anglaise.

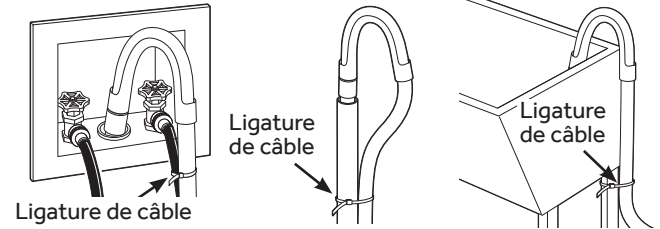


**NOTE : Conservez les extensions des pattes à un minimum pour empêcher les vibrations. Plus les pattes sont tirées, et plus la laveuse vibre.**

Si le plancher n'est pas bien horizontal ou est endommagé, il est possible que vous deviez allonger les pattes de nivellement arrière.

## INSTALLATION DE LA LAVEUSE (suite)

7. Attachez le guide de tuyau en U à l'extrémité du tuyau de vidange. Placez le tuyau dans une cuve à lessive ou un tuyau vertical et liez-le avec la ligature de câble fournie dans le paquet.



**NOTE :** Si le tuyau de vidange est placé dans un tuyau vertical sans être recourbé en U, il peut produire un effet de siphonnement. Vous devez maintenir un espace d'air libre autour du tuyau de vidange. Un tuyau ajusté peut aussi occasionner un effet de siphonnement.

**NOTE :** N'insérez pas l'extrémité du tuyau de vidange de plus de 18 cm (7 pouces) dans la bonde. Il est conseillé de l'insérer de 10 à 18 cm (4 à 7 pouces). Une insertion supérieure à 18 cm (7 pouces) peut également provoquer un effet de siphon.

8. Branchez le cordon d'alimentation dans une prise mise à la terre.  
**NOTE :** Vérifiez que le courant est coupé au niveau du disjoncteur ou de la boîte à fusibles avant de brancher le cordon d'alimentation à une prise.
9. Branchez le courant au niveau du disjoncteur ou de la boîte à fusibles.
10. Lisez le reste de ce Manuel du propriétaire. Il contient des renseignements précieux et utiles qui vous feront économiser du temps et de l'argent.
11. **Avant de mettre en marche la laveuse, vérifiez que tout est en ordre :**
  - L'alimentation principale de courant est branchée.
  - La laveuse est branchée à la prise.
  - Les robinets d'eau sont ouverts.
  - L'appareil est bien horizontal et les quatre pattes de nivellement reposent fermement sur le plancher.
  - La quincaillerie de soutien pour l'expédition est enlevée et mise de côté.
  - Le tuyau de vidange est bien attaché.
  - Le robinet, les rondelles et le tuyau de vidange ne fuient pas.
12. Faites marcher la laveuse pendant un cycle complet. Vérifiez qu'il n'y a aucune fuite d'eau et qu'elle fonctionne bien.
13. Si votre laveuse ne fonctionne pas, veuillez consulter la section **Conseils de dépannage** avant de nous contacter pour le service.
14. Rangez ces instructions dans un emplacement proche de la laveuse pour référence future.

## PIÈCES DE RECHANGE

Visitez notre site web à [fr.haiercanada.ca/parts](http://fr.haiercanada.ca/parts).



# CONSEILS DE DÉPANNAGE

| Problème  | Causes possibles  | Correctifs  |
|---|---|---|
| Pas de vidange<br>Pas d'essorage<br>Pas de culbutage                            | La charge est déséquilibrée   | Redistribuez les vêtements et faites un <b>Rinse+Spin</b> (Rinçage + Essorage).   |
|   |   | Augmentez la taille de la charge si vous lavez une petite charge contenant des articles légers et lourds.   |
|   | Le filtre de la pompe à eau est peut-être bouché  | Reportez-vous <b>Entretien et nettoyage</b> pour le nettoyage du <b>Filtre de la pompe</b> .  |
|   | Le tuyau de vidange est tortillé ou mal connecté  | Redressez le tuyau de vidange et assurez-vous que la laveuse n'est pas dessus.  |
|   | Le siphon d'évacuation de la maison peut être bouché  | Vérifiez la plomberie de la maison. Vous pouvez avoir besoin d'appeler un plombier.   |
| Siphonage du tuyau de vidange; tuyau de vidange enfoncé trop bas dans le drain. | Assurez-vous qu'il y a un espace d'air entre le tuyau et le drain.  |   |
| Fuite d'eau   | Le joint de la porte est endommagé  | Vérifiez si le joint est bien en place et s'il n'est pas déchiré. Les objets oubliés dans les poches peuvent endommager la laveuse (clous, vis, stylos, crayons).                   |
|   |   | L'eau peut dégoutter de la porte lorsque celle-ci est ouverte. Il s'agit d'un fonctionnement normal.  |
|   |   | Essuyez soigneusement le joint de porte en caoutchouc. Parfois de la saleté ou des vêtements coincés dans le joint peuvent causer une petite fuite.                                 |
|   | Vérifiez la présence d'eau à la partie arrière gauche de la laveuse   | Si cette partie est mouillée, cela indique la présence d'un surplus de mousse savonneuse. Utilisez moins de détergent.  |
|   | Les tuyaux d'entrée de l'eau ou le tuyau de vidange ne sont pas bien branchés   | Assurez-vous que les tuyaux soient bien branchés au niveau des robinets et la laveuse et assurez-vous que le tuyau de vidange soit bien inséré et fixé à l'installation de vidange. |
|   | La vidange de la maison est peut-être bloquée   | Vérifiez la plomberie de la maison. Il est possible que vous ayez besoin d'appeler un plombier.   |
| Distributeur colmaté  | Le savon en poudre peut causer des colmatages à l'intérieur du distributeur et causer une fuite d'eau à l'avant du distributeur. Retirez le tiroir et nettoyez le tiroir et l'intérieur de la boîte de distributeur. Reportez-vous à la section <b>Entretien et nettoyage</b> . |   |
| Utilisation incorrecte de détergent   | Utilisez du détergent HE uniquement et en bonne quantité.   |   |
| Vêtements trop mouillés   | La charge est déséquilibrée   | Redistribuez les vêtements et faites un <b>Rinse+Spin</b> (Rinçage + Essorage).   |
|   |   | Augmentez la taille de la charge si vous lavez une petite charge contenant des articles légers et lourds.   |
|   | Le filtre de la pompe à eau est peut-être bouché  | Reportez-vous <b>Entretien et nettoyage</b> pour le nettoyage du <b>Filtre de la pompe</b> .  |
|   | Surcharge   | Chargez la laveuse pour que les vêtements aient assez de place pour bouger librement.   |
|   | Le tuyau de vidange est tortillé ou mal connecté  | Redressez le tuyau de vidange et assurez-vous que la laveuse n'est pas dessus.  |
|   | Le siphon d'évacuation de la maison peut être bouché  | Vérifiez la plomberie de la maison. Vous pouvez avoir besoin d'appeler un plombier.   |
| Siphonage du tuyau de vidange; tuyau de vidange enfoncé trop bas dans le drain. | Assurez-vous qu'il y a un espace d'air entre le tuyau et le drain.  |   |

# CONSEILS DE DÉPANNAGE

| Problème  | Causes possibles   | Correctifs   |
|---|--|--|
| Cycle incomplet ou minuterie arrêtée  | Redistribution automatique de la charge  | La minuterie s'arrête après une minute. La laveuse répartit la charge à une ou deux reprises. C'est un fonctionnement normal. Ne faites rien, la machine terminera le cycle de lavage.   |
|   | Le filtre de la pompe à eau est peut-être bouché   | Reportez-vous <b>Entretien et nettoyage</b> pour le nettoyage du <b>Filtre de la pompe</b> .   |
|   | Le tuyau de vidange est tortillé ou mal connecté   | Redressez le tuyau de vidange et assurez-vous que la laveuse n'est pas dessus.   |
|   | Le siphon d'évacuation de la maison peut être bouché   | Vérifiez la plomberie de la maison. Vous pouvez avoir besoin d'appeler un plombier.  |
|   | Siphonage du tuyau de vidange; tuyau de vidange enfoncé trop bas dans le drain.  | Assurez-vous qu'il y a un espace d'air entre le tuyau et le drain.   |
| Secousses, vibrations ou bruits forts ou inhabituels  | Déplacement d'armoire  | La laveuse est conçue pour bouger de 6 mm pour réduire les forces transmises au sol. Ce mouvement est normal.  |
|   | Tous les pieds de mise à niveau en caoutchouc ne touchent pas fermement le sol   | Poussez tirez sur l'arrière droit puis sur l'arrière gauche de la laveuse pour vérifier qu'elle est de niveau. Si elle ne l'est pas, réglez les pieds de mise à niveau en caoutchouc pour qu'ils touchent fermement le sol et qu'ils se bloquent en place. |
|   | Charge déséquilibrée   | Mettez l'appareil en pause, ouvrez la porte et redistribuez manuellement la charge. Pour inspecter la machine, exécutez un rinçage et un essorage à vide. Si tout est normal, le déséquilibre était causé par la charge.                                   |
|   | Le filtre de la pompe à eau est peut-être bouché   | Reportez-vous <b>Entretien et nettoyage</b> pour le nettoyage du <b>Filtre de la pompe</b> .   |
| Pas de puissance/ la laveuse ne fonctionne pas ou semble hors tension   | La laveuse est débranchée  | Assurez-vous que le cordon est bien branché dans une prise sous tension.   |
|   | L'arrivée d'eau est coupée   | Ouvrez à fond les robinets d'eau chaude et d'eau froide  |
|   | Le disjoncteur est déclenché/le fusible a sauté  | Inspectez les disjoncteurs/fusibles de la maison. Remplacez les fusibles ou réarmez le disjoncteur. La laveuse doit présenter une prise distincte.   |
|   | Vérifications automatiques du système  | La première fois que la laveuse est branchée, des vérifications automatiques se produisent. Il peut être nécessaire d'attendre 20 secondes avant de pouvoir utiliser la laveuse. C'est un fonctionnement normal.   |
| Accrocs, trous, déchirures, ou usure excessive  | Stylos, crayons, clous, vis ou autres objets égarés dans les poches  | Retirez les objets égarés dans les poches.   |
|   | Aiguilles, boutons pressions, agrafes, boutons à bord vif, boucles de ceinture, fermetures à glissière et objets à bord vif égarés dans les poches | Fermez les boutons pressions, agrafes, boutons et fermetures à glissière   |
| Temps de contrôle incorrect ou variations   | C'est normal.  | Pendant l'essorage, la laveuse peut avoir besoin de rééquilibrer la charge parfois pour réduire les vibrations. Lorsque cela se produit, le temps estimé est augmenté, ce qui cause une augmentation du temps qui reste.                                   |
| Pas assez d'eau   | C'est normal.  | Les laveuses horizontales ne nécessitent pas que la cuve se remplisse d'eau contrairement aux laveuses à charge par le haut  |
| La laveuse fait une pause ou doit être redémarrée ou la porte de la laveuse est verrouillée et ne s'ouvre pas | Le filtre de la pompe à eau est peut-être bouché   | Reportez-vous <b>Entretien et nettoyage</b> pour le nettoyage du <b>Filtre de la pompe</b> .   |

# CONSEILS DE DÉPANNAGE

| Problème  | Causes possibles   | Correctifs   |
|---|--|--|
| La porte se débloque ou la machine ne fonctionne pas lorsque vous appuyez sur Start | C'est normal.  | Les laveuses à chargement frontal démarrent différemment de celles à chargement par le haut, et il faut plusieurs secondes pour vérifier le système. La porte se verrouille et se déverrouille                                     |
|   | Fonctionnement incorrect   | Ouvrez et fermez simplement la porte fermement, puis appuyez sur <b>Start</b> (Marche).  |
| L'eau ne rentre pas dans la laveuse ou entre lentement                              | Vérifications automatiques du système  | Une fois <b>Start</b> (Marche) appuyé, la laveuse fait plusieurs vérifications du système. L'eau coule plusieurs secondes après que <b>Start</b> (Marche) soit appuyé  |
|   | Les tamis de vanne d'eau sont colmatés   | Coupez l'arrivée d'eau et retirez les tuyaux de connexion d'eau en haut à l'arrière de la laveuse. Utilisez une brosse ou un cure-dent pour nettoyer les tamis dans la machine. Reconnectez les tuyaux et rouvrez l'arrivée d'eau. |
|   | Les rondelles à grille de l'admission d'eau sont bloqués   | Fermez l'eau et enlevez les tuyaux d'admission des robinets muraux. Utilisez une brosse ou un cure-dent pour nettoyer les rondelles à grille au bout des tuyaux. Reconnectez les tuyaux et ouvrez l'eau.                           |
|   | Le filtre de la pompe à eau est peut-être bouché   | Reportez-vous <b>Entretien et nettoyage</b> pour le nettoyage du <b>Filtre de la pompe</b> .   |
|   | Tuyaux de remplissage pliés  | Vérifiez que les tuyaux de remplissage ne sont pas pliés ni bouchés.   |
|   | L'arrivée d'eau est coupée   | Ouvrez à fond les robinets d'eau chaude et d'eau froide.   |
|   | Efficacité énergétique   | Comme cette laveuse est éconergétique, ses réglages de température peuvent différer par rapport à une laveuse qui ne l'est pas.  |
|   | Alimentation d'eau insuffisante  | Assurez-vous que l'alimentation d'eau est ouverte et que les robinets d'eau sont tournés à la position d'ouverture maximale.   |
|   | La porte de la laveuse est ouverte   | La porte de la laveuse doit être fermée pendant tous les cycles de lavage. Si la porte est ouverte pendant un cycle de lavage, toutes les fonctions s'arrêteront, y compris le remplissage d'eau.                                  |
|   | Raccordement de tuyaux de remplissage incorrect  | Vérifiez que les tuyaux de remplissage relient l'alimentation d'eau chaude à l'entrée d'eau chaude de la laveuse et l'alimentation d'eau froide à l'entrée d'eau froide de la laveuse (chaude avec chaude, froide avec froide).    |
| Froissement   | Tri incorrect  | Évitez de mélanger des articles lourds (comme des vêtements de travail) avec des articles légers (comme des chemisiers).   |
|   | Surcharge  | Chargez la laveuse pour que les vêtements aient assez de place pour bouger librement.  |
|   | Cycle de lavage incorrect  | Assortissez la sélection de cycle au type de tissus que vous lavez (surtout pour les charges à entretien facile).  |
|   | Lavage répété dans de l'eau trop chaude  | Lavez dans l'eau froide ou chaude.   |
| Vêtements grisâtres ou jaunâtres  | Pas assez de détergent   | Utilisez la bonne quantité de détergent.   |
|   | Détergent utilisé pas HE (haute efficacité)  | Utilisez du détergent HE uniquement.   |
|   | Eau calcaire   | Utilisez l'eau la plus chaude possible pour le tissu.  |
|   |  | Utilisez un conditionneur d'eau comme la marque Calgon ou installez un adoucisseur d'eau.  |
|   | L'eau n'est pas assez chaude   | Assurez-vous que le chauffe-eau distribue de l'eau entre 48 et 60°C.   |
|   | Le détergent ne se dissout pas   | Essayez un HE détergent liquide  |
| Transfert de colorant   | Triez les vêtements par couleur. Si l'étiquette du vêtement indique de laver séparément, cela peut indiquer des colorants instables. |  |

# CONSEILS DE DÉPANNAGE

| Problème  | Causes possibles   | Correctifs  |
|---|--|---|
| Taches colorées   | Utilisation incorrecte d'assouplisseur   | Inspectez le sachet d'assouplisseur de tissu pour des instructions et suivez les directives d'utilisation du distributeur.  |
|   | Transfert de colorant  | Séparez le blanc et les couleurs claires des couleurs foncées.<br>Sortez rapidement le linge de la laveuse.   |
| La température de l'eau est incorrecte                      | L'arrivée d'eau est mal connectée  | Assurez-vous que les tuyaux sont connectés aux bons robinets.   |
|   | Le chauffe-eau de la maison est mal réglé  | Assurez-vous que le chauffe-eau distribue de l'eau entre 48 et 60°C.  |
| Légère variation dans la couleur métallisée                 | C'est normal   | À cause des propriétés métalliques de la peinture utilisée pour ce produit unique, de légères variations de couleur peuvent être visibles à cause de l'angle de vue et des conditions d'éclairage.  |
| Odeur désagréable dans la laveuse                           | Laveuse inutilisée pendant longtemps, pas d'utilisation du détergent HE de la qualité recommandée ou utilisation d'une quantité excessive de détergent | Exécutez un cycle <b>Tub Clean</b> (Nettoyage de cuve).   |
|   |  | En cas d'odeur forte, vous pouvez avoir besoin d'exécuter le cycle  |
|   |  | Utilisez uniquement la quantité de détergent recommandée sur le conteneur de détergent.   |
|   |  | Utilisez uniquement du détergent HE (haute efficacité)  |
|   |  | Retirez toujours rapidement les vêtements humides de la laveuse après arrêt de la machine.  |
|   |  | Laissez la porte légèrement ouverte pour que l'eau sèche à l'air. Une surveillance étroite est requise pour tout appareil utilisé par des enfants ou à leur proximité. NE laissez pas les enfants jouer sur ou dans cet appareil ou tout autre. |
| Fuite de détergent  | Positionnement incorrect du contenant de détergent   | Assurez-vous que le contenant de détergent est correctement positionné et placé. Ne mettez jamais de détergent au-dessus du trait max.  |
|   | C'est normal   | Il est normal de voir le détergent fuir sur le joint de la porte environ 20 secondes après remplissage du distributeur.   |
| Distribution incorrecte de l'assouplisseur                  | Distributeur colmaté   | Nettoyez une fois par mois le tiroir distributeur pour retirer les dépôts de produits chimiques.  |
|   | Assouplisseur au-dessus du trait max   | Assurez-vous de mettre la bonne quantité d'assouplisseur.   |
|   | Problème de bouchon d'assouplisseur  | Assurez-vous que le bouchon d'assouplisseur du distributeur est positionné ou qu'il fonctionneront pas.   |
| Le tiroir distributeur ne distribue pas correctement        | Sachet de détersif placé dans le tiroir distributeur   | Les sachets de détersif ne doivent pas être utilisés dans le distributeur. Ils doivent être ajoutés directement dans le panier de lavage conformément aux directives du fabricant.  |
| La pompe fonctionne alors que la laveuse n'est pas utilisée | Obstruction dans le drain de puisard   | Ce phénomène est normal. Le puisard détecte un niveau d'eau indésirable causé probablement par un robinet ouvert. Fermez la vanne d'eau et vérifiez si elle reste bloquée.  |

# NOTES

# NOTES

# GARANTIE LIMITÉE

## haierappliances.com

Toutes les réparations sous garantie seront effectuées par nos centres de réparation ou nos réparateurs autorisés. Pour programmer une visite de service en ligne, visitez-nous [fr.haiercanada.ca/service](http://fr.haiercanada.ca/service). Veuillez fournir le numéro de série et le numéro de modèle lorsque vous nous contactez pour une réparation.

Pour le diagnostic, la réparation de votre appareil peut nécessiter l'utilisation du port de données embarqué. Celui-ci permet au technicien de réparation Haier Appliances de diagnostiquer rapidement des problèmes avec votre appareil. Il permet également à Haier Appliances d'améliorer ses produits en fournissant à ces derniers des informations sur votre appareil. Si vous ne voulez pas que les données de votre appareil soient envoyées à Haier Appliances, veuillez demander à votre technicien de NE PAS soumettre les données à Haier Appliances pendant la réparation.

| Pour une période de :                              | Haier Appliances remplacera :   |
|--|---|
| Un an<br>Un an à partir de la date d'achat initial | Toute pièce du laveuses qui se casse à cause d'un vice de matériau ou de main-d'oeuvre. Au cours de cette <b>année de garantie limitée</b> , Haier Appliances fournira, <b>gratuitement</b> , toute la main-d'oeuvre et le service à la maison nécessaires pour remplacer la pièce défectueuse. |

### Ce qui n'est pas couvert :

- Toute visite à votre domicile pour vous expliquer le fonctionnement de l'appareil.
- L'installation, la livraison ou l'entretien inadéquats de l'appareil.
- Toute défectuosité du produit attribuable à une utilisation abusive ou inadéquate, s'il a été utilisé à toute autre fin que celle pour laquelle il a été conçu, ou s'il a été utilisé à des fins commerciales.
- Le remplacement des fusibles ou le réenclenchement des disjoncteurs de votre domicile.
- Les produits qui ne sont pas défectueux ou brisés, ou qui fonctionnent tel que décrit dans le Manuel de l'utilisateur.
- Tout dommage au produit attribuable à un accident, un incendie, une inondation ou une catastrophe naturelle.
- Tout dommage accessoire ou indirect, causé par des défaillances possibles de l'appareil.
- Les défectuosités ou les dommages causés par une utilisation de l'appareil à des températures situées sous le point de congélation.
- Tout dommage causé après la livraison.
- Tout produit auquel il n'est pas possible d'accéder pour effectuer les réparations nécessaires.

### EXCLUSION DE GARANTIES IMPLICITES

Votre seul et unique recours est la réparation du produit selon les dispositions de cette Garantie limitée. Toutes les garanties implicites, incluant les garanties de commercialité et d'adéquation à un usage spécifique, sont limitées à une année ou à la période la plus courte autorisée par la législation.

Cette garantie limitée est valable pour le premier propriétaire et tout autre propriétaire du produit s'il acheté au Canada pour utilisation domestique au Canada. Le service à domicile sous garantie sera fourni là où il est disponible et dans les régions que Mabe considère que l'offre de service est raisonnable.

**LE GARANT N'EST PAS RESPONSABLE DES DOMMAGES CONSÉQUENTS.**

**Garant : MC Commercial Inc., Burlington, ON, L7R 5B6**

Agrafez le reçu d'achat ici. Pour obtenir le service sous garantie, vous devrez fournir la preuve de l'achat original

FRANÇAIS

# SERVICE À LA CLIENTÈLE

## Site Web de Haier Appliances

Vous avez une question ou vous avez besoin d'aide pour votre appareil électroménager? Visitez le site Web de Haier Appliances 24 heures par jour, tous les jours de l'année! Vous pouvez aussi y trouver d'autres formidables produits Haier Appliances et tirer avantage de tous nos services d'assistance en ligne. [fr.haiercanada.ca](http://fr.haiercanada.ca)

## Enregistrez votre électroménager

Enregistrez votre nouvel appareil en ligne au moment qui vous convient le mieux! L'enregistrement de votre produit dans les délais prescrits permet une meilleure communication et un service rapide, selon les modalités de votre garantie, si besoin est. Vous pouvez également envoyer par courrier la carte d'enregistrement pré-imprimée qui se trouve dans l'emballage de votre appareil.

Au Canada : [prodsupport.mabe.ca/crm/Products/ProductRegistration.aspx](http://prodsupport.mabe.ca/crm/Products/ProductRegistration.aspx)

## Service de réparation

Un service de réparation expert Haier Appliances se trouve à quelques pas de chez vous. Rendez-vous sur notre site et programmez, à votre convenance, une visite de réparation à n'importe quel jour de l'année.

Au Canada : [fr.haiercanada.ca/service](http://fr.haiercanada.ca/service)

## Pièces et accessoires

Les personnes ayant les compétences requises pour réparer elles-mêmes leurs appareils peuvent recevoir directement à la maison des pièces ou accessoires (les cartes VISA, MasterCard et Discover sont acceptées).

**Les instructions contenues dans le présent manuel comportent des procédures que tout utilisateur peut effectuer. Les autres types de réparation doivent généralement être confiés à un technicien qualifié. Usez de prudence : une réparation ou un entretien mal effectués peuvent rendre l'utilisation de l'appareil dangereuse.**

Les consommateurs au Canada doivent visiter notre site web à [fr.haiercanada.ca/parts](http://fr.haiercanada.ca/parts).

## Communiquez avec nous

Si vous n'êtes pas satisfait du service de Haier Appliances, visitez notre site web à [fr.haiercanada.ca/contact-us](http://fr.haiercanada.ca/contact-us) :

Au Canada : Director, Consumer Relations, Mabe Canada Inc. | Suite 310, 1 Factory Lane | Moncton, N.B. E1C 9M3

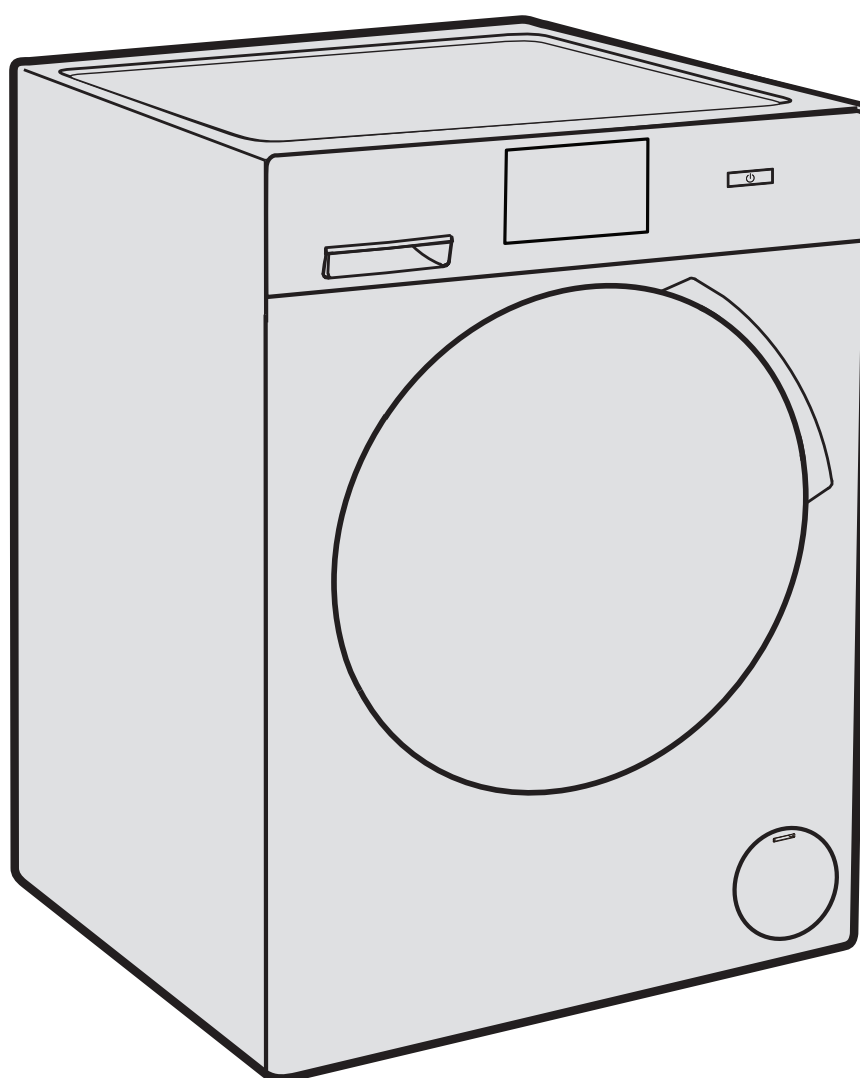


# Haier

Manual del propietario y  
Instrucciones de instalación

QFW150 Serie

## Lavadoras



# ÍNDICE

|   |           |
|---|-----------|
| <b>INSTRUCCIONES DE SEGURIDAD</b> .....             | <b>3</b>  |
| <b>USAR LA LAVADORA</b> .....                       | <b>5</b>  |
| Puesta en Marcha .....                              | 5         |
| Dispensadores.....                                  | 12        |
| Carga.....  | 13        |
| <b>CUIDADO Y LIMPIEZA</b> .....                     | <b>14</b> |
| <b>INSTRUCCIONES DE INSTALACIÓN</b> .....           | <b>16</b> |
| <b>CONSEJOS PARA LA SOLUCIÓN DE PROBLEMAS</b> ..... | <b>21</b> |
| <b>GARANTÍA LIMITADA</b> .....                      | <b>27</b> |
| <b>SOPORTE AL CLIENTE</b> .....                     | <b>28</b> |

## INFORMACIÓN A TENER EN CUENTA

Le agradecemos la compra de este producto de marca Haier Appliances. Este manual para el usuario le ayudará a obtener el mejor funcionamiento de su nueva lavadora.

Para referencia futura, registre el modelo y el número de serie ubicado en una etiqueta dentro de la puerta.

Engrape la prueba de compra a este manual para asistirle cuando necesite obtener servicio bajo la garantía.

---

Nº de Modelo

---

Nº de Serie

---

Fecha de compra

# INSTRUCCIONES DE SEGURIDAD

## INFORMACIÓN IMPORTANTE DE SEGURIDAD LEA TODAS LAS INSTRUCCIONES ANTES DE USAR

### ⚠️ ADVERTENCIA

Para reducir el riesgo de muerte, incendio, explosión, descargas eléctricas o lesiones sobre las personas al usar su electrodoméstico, siga las precauciones básicas, incluyendo lo siguiente

- Lea todas las instrucciones antes de usar este electrodoméstico.
- Siga todas las instrucciones y advertencias de cuidado de tejidos para evitar el derretimiento de las prendas o daños al aparato.
- **NO** lave ni seque prendas que en forma previa hayan sido secadas, lavadas, mojadas o manchadas con gasolina, solventes de limpieza en seco, u otras sustancias inflamables o explosivas, ya que despiden vapores que se podrían encender o explotar.
- **NO** agregue gasolina, solventes de limpieza en seco, u otras sustancias inflamables o explosivas al agua de lavado. Estas sustancias despiden vapores que se podrían prender fuego o explotar.
- Bajo ciertas condiciones, se podrá producir gas de hidrógeno en un sistema de agua caliente que no fue usado por 2 semanas o más. **EL GAS DE HIDRÓGENO ES UN EXPLOSIVO**. Si el sistema de agua caliente no fue usado por dicho periodo, antes de usar una lavadora, abra todos los grifos de agua caliente y deje que corra agua de cada uno durante varios minutos. Esto liberará cualquier gas de hidrógeno acumulado. Debido a que el gas es inflamable, **NO** fume ni use una llama abierta durante este proceso.
- **NO** permita que los niños jueguen sobre o dentro de este electrodoméstico. Cuando el electrodoméstico se use cerca de niños, será necesario supervisarlos de cerca. Antes de dejar la lavadora fuera de servicio o de deshacerse de ésta, quite la puerta o la tapa. Si no se siguen estas instrucciones, se podrá producir la muerte o lesiones personales.
- **NO** introduzca las manos en el electrodoméstico si el tambor o agitador se encuentra en movimiento a fin de evitar enredos accidentales.
- **NO** instale ni guarde este electrodoméstico donde quede expuesto a los factores climáticos.
- **NO** manipule indebidamente los controles, reparar ni reemplazar cualquier parte del electrodoméstico o realizar cualquier otro trabajo técnico, a menos que esto sea específicamente recomendado en las instrucciones de mantenimiento del usuario o en instrucciones publicadas sobre reparaciones del usuario, que entienda y para las cuales posea las destrezas necesarias.
- **NO** se trepe ni se pare sobre la unidad.
- **NO** intente usar este electrodoméstico si se encuentra dañado, funcionando mal, parcialmente desensamblado, o si tiene partes faltantes o rotas, incluyendo un cable o enchufe dañado.
- Desenchufe el electrodoméstico o apague el disyuntor antes de realizar el servicio técnico. Presionar el botón **Power** (Encendido) (⏻) **NO** desconecta el encendido.
- Para acceder a las instrucciones de conexión a tierra, lea los "REQUISITOS ELÉCTRICOS" ubicados en las Instrucciones de Instalación.

### Forma adecuada de descartar su electrodoméstico

- Descarte o recicle su electrodoméstico de acuerdo con las Regulaciones Federales y Locales. Comuníquese con las autoridades locales para descartar o reciclar su electrodoméstico de forma ambientalmente segura.

## LEA Y GUARDE ESTAS INSTRUCCIONES

# INSTRUCCIONES DE SEGURIDAD

## INFORMACIÓN IMPORTANTE DE SEGURIDAD LEA TODAS LAS INSTRUCCIONES ANTES DE USAR

### INSTALACIÓN CORRECTA

La lavadora se debe instalar y colocar correctamente de acuerdo con las instrucciones de instalación, antes de utilizarla.

- Asegúrese de que la manguera de agua caliente esté conectada a la válvula "H" y que la manguera de agua fría esté conectada a la válvula "C".
- Instale o almacene la lavadora en un lugar donde no esté expuesta a temperaturas bajo cero ni a las inclemencias climáticas, ya que esto puede provocar daños irreversibles e invalidar la garantía.
- Conecte correctamente a tierra la lavadora de conformidad con todos los códigos y ordenanzas regulatorias. Siga la información de Instrucciones de instalación.
- Asegúrese de que la lavadora esté correctamente nivelada y que sus patas estén ajustadas de modo que la unidad se encuentre estable.
- Se recomienda una extensión opcional de la manguera de drenaje para descargas en alturas de 60" a 96".
- Haier Appliances recomienda enfáticamente el uso de piezas especificadas de fábrica. A continuación se encuentra una lista de mangueras de fábrica disponibles para la compra. Estas mangueras están fabricadas y probadas para cumplir con las especificaciones de Haier Appliances.
- Haier Appliances recomienda enfáticamente el uso de mangueras nuevas de suministro de agua. Las mangueras se desgastan con el tiempo y deben reemplazarse cada 5 años para reducir el riesgo de fallas en las mangueras y daños provocados por el agua.
- Tenga en cuenta las opciones de reciclaje del material de embalaje de su electrodoméstico.

### CUANDO NO ESTÉ EN USO

- Cierre las llaves de paso minimizar las fugas en caso de que se produzca una rotura o grieta. Compruebe el estado de las mangueras de llenado; Haier Appliances recomienda el cambio de las mangueras cada 5 años.

### PIEZAS Y ACCESORIOS

Visite nuestro sitio web en [haierappliances.com/parts](http://haierappliances.com/parts).

| Número de Pieza | Accesorio  |
|-----------------|--|
| PM14X10002      | Mangueras de goma de suministro de agua de 4 pies  |
| <b>O</b>        |  |
| PM14X10005      | Mangueras trenzada de suministro de agua de 4 pies |
| WX10X10011      | Limpiador Tide® para Lavadoras*                    |
| PM7X1           | Bandeja del Piso de la Lavadora                    |

\*Tide® es una marca registrada de Procter & Gamble.

## LEA Y GUARDE ESTAS INSTRUCCIONES

# USAR LA LAVADORA

Las funciones y la apariencia variarán a través de este manual.

## ⚠ ADVERTENCIA

Para reducir el riesgo de incendios, descargas eléctricas o heridas, lea las **INFORMACIÓN IMPORTANTE DE SEGURIDAD** antes de utilizar este electrodoméstico.

### Paso 1

(La apariencia variará)



- Agregue el suavizante al dosificador para suavizante; para más detalles, lea la página 10.
- Agregue la cantidad de detergente recomendada por el fabricante. Haier Appliances recomienda el uso de detergentes de Alta Eficiencia tales como en su lavadora de energía eficiente. Coloque los receptáculos de detergente en la parte inferior de la canasta de lavado antes de agregar la ropa.

### Paso 2



- Agregue las prendas. Sobrecargar el tambor puede producir un impacto negativo en el desempeño de lavado. Consulte la página 11 para obtener ejemplos de carga sugeridos.
- Cierre la puerta.

NOTA: La lavadora no se iniciará con la puerta abierta.

### Paso 3



- Si la pantalla está oscura, mantenga presionado el botón Power (Encendido) durante 2 segundos para "despertar" la pantalla.

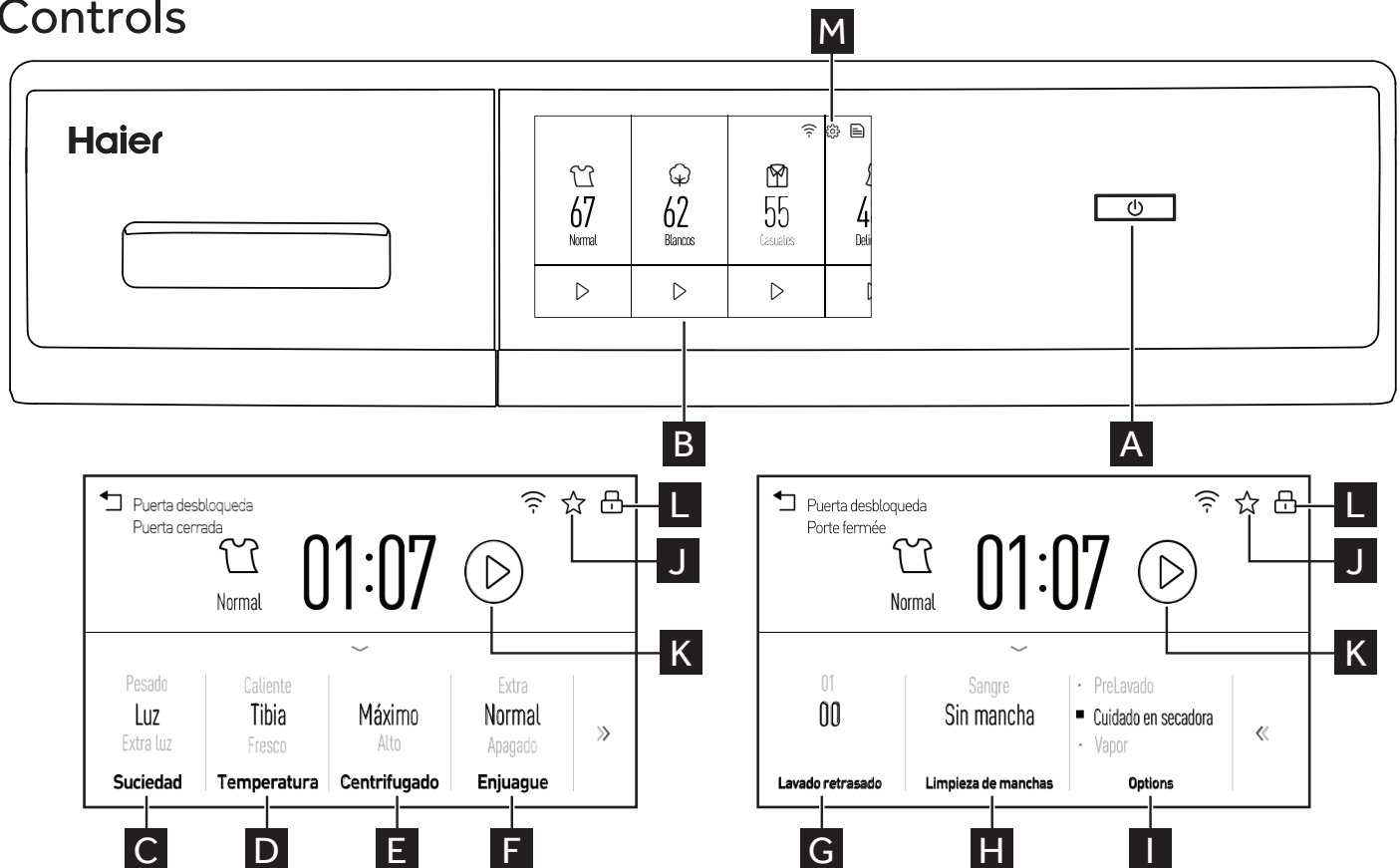
### Paso 4



- Seleccione un ciclo de lavado. (Existen configuraciones por defecto para cada ciclo de lavado. Estas configuraciones por defecto pueden modificarse. Para más información, consulte Configuraciones de control.)
- Presione el botón Start (Iniciar) durante 1 segundo.

\*También podrá acceder a instrucciones presionando el ícono del documento (📄), en la pantalla de selección de ciclo, en la esquina superior derecha.

## Controls



# USAR LA LAVADORA

## Pantalla y las Luces de Estado

La pantalla muestra el tiempo restante aproximado hasta el final del ciclo.

Además, esta pantalla mostrará el estado de la lavadora:

| Estado                   | Llenado >> Lavado >> Enjuague >> Centrifugado   |
|--------------------------|---|
| Símbolo de Bloqueo       | Función de bloqueo de los controles   |
| Tiempo Restante Estimado | La pantalla muestra el tiempo restante estimado, hasta que el ciclo configurado sea completado. |
| Giro Extendido           | Indica que la función Extended Tumble (Giro Extendido) fue configurada.                         |
| Lavado retrasado         | Indica que la configuración de tiempo de Delay Wash (Lavado retrasado) fue seleccionada.        |
| Pre Lavado               | Indica que la función PreWash (Pre Lavado) fue seleccionada.                                    |
| Vapor                    | Indica que la función Steam (Vapor) fue seleccionada.   |
| Cuidado en el Giro       | Indica que la función Tumble Care (Cuidado en el Giro) fue seleccionada.                        |

**NOTA:** Si se detecta un problema de desbalance en la lavadora, un indicador de Desbalance aparecerá y parpadeará durante la parte restante del ciclo. El mismo permanecerá iluminado durante un período de tiempo corto luego de que el ciclo sea completado. Cuando esto suceda, la lavadora estará realizando acciones para corregir el problema de desbalance y completar el ciclo normalmente. En algunos casos, la lavadora no podrá balancear la carga y girar en su máxima velocidad. Si usted observa que la carga está más mojada que lo normal al final del ciclo, redistribuya la carga de forma pareja en el tambor de lavado y active el ciclo Drain+Spin (Desagüe + Centrifugado).

## A Power (Encendido/apagado)

Mantenga presionada esta función durante 2 segundos para "despertar" la pantalla. Si la pantalla se encuentra activa, mantenga presionada esta función durante 2 segundos para apagar la secadora.

**NOTA:** Presionar Power (Encendido) no desconecta el electrodoméstico del suministro de corriente.

## B Ciclos de lavado

Los ciclos de lavado se han optimizado para tipos específicos de cargas de lavado. La siguiente tabla le ayudará a combinar el tipo de lavado con las cargas. Los elevadores Gentle Wash™ hacen girar la ropa suavemente en la solución de agua y detergente para limpiar la carga.

| Prendas a Lavar   | Ciclo                        | Nivel de Suciedad   | Temperatura de Lavado                                      | Selección del Giro                                      | Opciones Disponibles  | Detalles del Ciclo   |
|---|------------------------------|---|--|---|---|--|
| Ciclo para el uso normal, regular o típica para el lavado hasta una carga completa de ropa de algodón de suciedad normal. | Normal                       | Ext. Sucia<br><b>Normal</b><br>Apenas Sucia<br>Ext. Apenas Sucia          | Muy caliente<br>Caliente<br><b>Tibio</b><br>Fresca<br>Fría | Max<br><b>Alto</b><br>Medio<br>Sin centrifugado         | Enjuague Adicional<br>Lavado con Retraso<br>Eliminación de Manchas Guía<br>Ahorro de Tiempo<br>Prelavado<br>Cuidado en el Giro<br>Vapor<br>Mi Ciclo | Ciclo para el uso normal, regular o típica para el lavado hasta una carga completa de ropa de algodón de suciedad normal. Elija la selección de nivel de suciedad Heavy (Sucio) o Extra Heavy (Muy Sucio) o la selección de temperatura Hot Water (Agua Caliente), según sea apropiado para su carga de ropa en un nivel de lavado más alto. |
| Blanca y ropa de cama.  | Whites (Blanca)              | Ext. Sucia<br>Sucia<br><b>Normal</b><br>Apenas Sucia<br>Ext. Apenas Sucia | Muy caliente<br>Caliente<br><b>Tibio</b><br>Fresca<br>Fría | Max<br>Alto<br>Medio<br>Bajo<br>Sin centrifugado        | Enjuague Adicional<br>Lavado con Retraso<br>Eliminación de Manchas Guía<br>Ahorro de Tiempo<br>Prelavado<br>Cuidado en el Giro<br>Vapor<br>Mi Ciclo | Ciclo adaptado para limpiar y dar brillo a sus blancos.  |
| Ropa informal, con poca suciedad para uso de oficina.   | Casuals (Ropa de uso diario) | Ext. Sucia<br>Sucia<br><b>Normal</b><br>Apenas Sucia<br>Ext. Apenas Sucia | Muy caliente<br>Caliente<br>Tibio<br><b>Fresca</b><br>Fría | Max<br><b>Alto</b><br>Medio<br>Bajo<br>Sin centrifugado | Enjuague Adicional<br>Lavado con Retraso<br>Eliminación de Manchas Guía<br>Ahorro de Tiempo<br>Prelavado<br>Cuidado en el Giro<br>Vapor<br>Mi Ciclo | Ciclo de lavado a medida para el cuidado de ropa informal y prendas de oficina.  |

# USAR LA LAVADORA

## B Ciclos de lavado - Continuado

| Prendas a Lavar   | Ciclo                       | Nivel de Suciedad   | Temperatura de Lavado                                      | Selección del Giro                                      | Opciones Disponibles   | Detalles del Ciclo  |
|---|-----------------------------|---|--|---|--|---|
| Lencería y telas que requieren cuidado especial con suciedad entre leve.                      | Delicates (Delicadas)       | Ext. Sucia<br>Sucia<br><b>Normal</b><br>Apenas Sucia<br>Ext. Apenas Sucia | Tibio<br>Fresca<br><b>Fría</b>                             | Alto<br><b>Medio</b><br>Bajo<br>Sin centrifugado        | Enjuague Adicional<br>Lavado con Retraso<br>Eliminación de Manchas<br>Guía<br>Ahorro de Tiempo<br>Prelavado<br>Cuidado en el Giro<br><br>Mi Ciclo      | Para prendas con etiqueta de lavado a mano con poca suciedad. Ofrece un secado delicado y remojo durante el lavado y enjuague.  |
| Telas fuertes con mediano o alto nivel de suciedad.   | Prendas Gruesas             | Ext. Sucia<br><b>Sucia</b><br>Normal<br>Apenas Sucia<br>Ext. Apenas Sucia | Muy caliente<br>Caliente<br><b>Tibio</b><br>Fresca<br>Fría | <b>Max</b><br>Alto<br>Medio<br>Bajo<br>Sin centrifugado | Enjuague Adicional<br>Lavado con Retraso<br>Eliminación de Manchas<br>Guía<br>Ahorro de Tiempo<br>Prelavado<br>Cuidado en el Giro<br>Vapor<br>Mi Ciclo | Incorpora un lavado de pasos múltiples y un período de remojo combinado con períodos de lavado prolongados, para limpiar de forma efectiva telas fuertes con mediano o alto nivel de suciedad.            |
| Toallas, sábanas, fundas de almohadas y paños de cocina.                                      | Towels (Toallas)            | Ext. Sucia<br>Sucia<br><b>Normal</b><br>Apenas Sucia<br>Ext. Apenas Sucia | Muy caliente<br>Caliente<br><b>Tibio</b><br>Fresca<br>Fría | <b>Max</b><br>Alto<br>Medio<br>Bajo<br>Sin centrifugado | Enjuague Adicional<br>Lavado con Retraso<br>Eliminación de Manchas<br>Guía<br>Ahorro de Tiempo<br>Prelavado<br>Cuidado en el Giro<br>Vapor<br>Mi Ciclo | Ciclo diseñado para lavar toallas, sábanas, fundas de almohadas y paños de cocina. Se recomienda que las toallas y sábanas sean lavadas de forma separada para un mejor cuidado y rendimiento del lavado. |
| Tela de vaquero o telas gruesas de algodón  | Vaqueros                    | Ex. Heavy<br>Heavy<br><b>Normal</b><br>Light<br>Ex. Light                 | Extra Hot<br>Hot<br><b>Warm</b><br>Cool<br>Cold            | <b>Max</b><br>High<br>Medium<br>Low<br>No Spin          | Enjuague Adicional<br>Lavado con Retraso<br>Eliminación de Manchas<br>Guía<br>Ahorro de Tiempo<br>Prelavado<br>Cuidado en el Giro<br>Vapor<br>Mi Ciclo | Incorpora el lavado en pasos múltiples y períodos de enjuague con la finalidad de optimizar el lavado de vaqueros y prendas gruesas.  |
| Prendas deportivas con nivel de suciedad entre medio y leve de tejidos técnicos y sintéticos. | Active Wear (Ropa Informal) | Ext. Sucia<br><b>Sucia</b><br>Normal<br>Apenas Sucia<br>Ext. Apenas Sucia | Muy caliente<br>Caliente<br>Tibio<br><b>Fresca</b><br>Fría | Max<br><b>Alto</b><br>Medio<br>Bajo<br>Sin centrifugado | Enjuague Adicional<br>Lavado con Retraso<br>Eliminación de Manchas<br>Guía<br>Ahorro de Tiempo<br>Prelavado<br>Cuidado en el Giro<br>Vapor<br>Mi Ciclo | Ciclo diseñado para el cuidado de la tela de ropa informal, deportiva y de uso técnico con un nivel de suciedad entre medio y leve.   |
| Prendas con contenido de lana.  | Lana                        | Ex. Heavy<br><b>Heavy</b><br>Normal<br>Light<br>Ex. Light                 | <b>Cool</b><br>Cold  | <b>Low</b><br>No Spin                                   | Enjuague Adicional<br>Lavado con Retraso<br><br>Ahorro de Tiempo<br>Prelavado<br>Cuidado en el Giro<br><br>Mi Ciclo                                    | Equilibra el agua fría con una agitación suave y un giro bajo con la finalidad de lavar prendas de lana de forma segura.  |
| Prendas pequeñas tales como prendas de niños.   | Cuidado del Bebé            | Ex. Heavy<br>Heavy<br>Normal<br><b>Light</b><br>Ex. Light                 | Extra Hot<br>Hot<br><b>Warm</b><br>Cool<br>Cold            | Max<br>High<br><b>Medium</b><br>Low<br>No Spin          | Enjuague Adicional<br>Lavado con Retraso<br>Eliminación de Manchas<br>Guía<br>Ahorro de Tiempo<br>Prelavado<br>Cuidado en el Giro<br>Vapor<br>Mi Ciclo | Ciclo de lavado a medida para el cuidado de las prendas de los niños y otros ítems pequeños.  |

# USAR LA LAVADORA

## B Ciclos de lavado - Continuado

| Prendas a Lavar   | Ciclo                                  | Nivel de Suciedad   | Temperatura de Lavado                      | Selección del Giro                                      | Opciones Disponibles   | Detalles del Ciclo  |
|---|--|---|--|---|--|---|
| Para pequeñas cantidades de prendas con poca suciedad que se necesitan de forma rápida.         | Quick Wash (Lavado Rápido)             | Ext. Sucia<br>Normal<br>Apenas Sucia<br><b>Ext. Apenas Sucia</b>          | Caliente<br><b>Tibio</b><br>Fresca<br>Fría | <b>Max</b><br>Alto<br>Medio<br>Bajo<br>Sin centrifugado | Enjuague Adicional<br>Lavado con Retraso<br>Eliminación de Manchas Guía<br><br>Prelavado<br>Cuidado en el Giro<br><br>Mi Ciclo | Para el lavado de cargas con poca suciedad en el menor tiempo posible. La duración del ciclo es de aproximadamente 33 minutos, dependiendo de las opciones seleccionadas.   |
| Prendas muy sucias que no destiñen necesitando una desinfección.                                | Sanitize (Desinfecte)                  | Ext. Sucia<br>Sucia<br><b>Normal</b>                                      | <b>Muy caliente</b>                        | <b>Max</b><br>Alto<br>Medio<br>Bajo<br>Sin centrifugado | Enjuague Adicional<br>Lavado con Retraso<br>Eliminación de Manchas Guía<br><br>Prelavado<br>Cuidado en el Giro<br><br>Mi Ciclo | Use este ciclo para eliminar el 99.9% de las bacterias de las telas. El ciclo use un ciclo de lavado más prolongado, brindando el beneficio de la desinfección. Una purga de la bomba y un enjuague más prolongado son incorporados a fin de eliminar los contaminantes. Para obtener mejores resultados, seleccione la función Extra Heavy (Extra Sucio), si está disponible. Véase la <b>NOTA</b> .   |
| Para eliminar alérgenos comunes tales como ácaros del polvo y caspa de mascotas.                | Alérgeno                               | Ext. Sucia<br>Sucia<br><b>Normal</b><br>Apenas Sucia<br>Ext. Apenas Sucia | <b>Muy caliente</b>                        | <b>Max</b><br>Alto<br>Medio<br>Bajo<br>Sin centrifugado | Enjuague Adicional<br>Lavado con Retraso<br>Eliminación de Manchas Guía<br><br>Prelavado<br>Cuidado en el Giro<br><br>Mi Ciclo | Use este ciclo para eliminar alérgenos comunes tales como ácaros del polvo y caspa de mascotas. Este ciclo utiliza un incremento en la temperatura del agua y un ciclo de lavado más prolongado, a fin de brindar el beneficio higiénico. Se encuentra incorporada una purga de la bomba y un enjuague más prolongado para eliminar contaminantes. Para obtener mejores resultados, seleccione la función de eliminación de suciedad Extra Heavy (Extra Fuerte), si se encuentra disponible. La función Extra Rinse (Enjuague Adicional) se encuentra activada por omisión. Para más detalles, consulte la <b>NOTA</b> a continuación. La función Extra Rinse (Enjuague Adicional) Funciona por Omisión |
| Para aquellas prendas que sólo necesitan ser enjuagadas, use este ciclo.                        | Rinse + Spin (Enjuague + Centrifugado) |   |  | <b>Max</b><br>Alto<br>Medio<br>Bajo<br>Sin centrifugado | Enjuague Adicional<br>Lavado con Retraso   | Para enjuagar y centrifugar rápidamente cualquier prenda en cualquier momento. Utiliza un giro de alta velocidad para extraer el agua de las prendas mojadas.   |
| Con aquellos ítems que necesiten un desagüe y centrifugado rápido, use este ciclo.              | Desagüe + Centrifugado                 |   |  | <b>Max</b><br>Alto<br>Medio<br>Bajo<br>Sin centrifugado | Lavado con Retraso   | Para un desagüe y centrifugado rápido de cualquier ítem en cualquier momento. Utiliza un centrifugado de alta velocidad para extraer el agua de las prendas mojadas.  |
| Limpeza de la canasta de residuos y olores de la canasta. No se lavará ropa al usar este ciclo. | Tub Clean (Limpeza de la Canasta)      |   |  |   |  | <b>Uso recomendado de una vez por mes</b> para limpiar la canasta de residuos y los olores. Nunca cargue ropa sucia al usar este ciclo; la misma podrá ser dañada. El ciclo incorpora un lavado caliente extendido, acción de agitación intensa y enjuague intenso.   |

**NOTA:** Las temperaturas del agua del ciclo Sanitize and Allergen (Higiene y Alérgenos) NO PUEDEN ser modificadas. Los ciclos **Sanitize** están certificados por NSF International, una organización independiente de tercera parte de verificación y certificación.

La certificación **Sanitize** verifica que el ciclo reduzca 99,9% de las bacterias que se encuentran típicamente en la prenda residencial y que ninguna contaminación significativa es transferida a las cargas siguientes. Sólo el ciclo **Sanitize** ha sido diseñado para satisfacer los requisitos del Protocolo NSF P172 para una desinfección eficiente.

La certificación de Alérgenos verifica que el ciclo redujo por lo menos el 95% de los ácaros del polvo y caspa de mascotas. Sólo el ciclo Allergen (Alérgenos) fue diseñado para cubrir los requisitos del Protocolo NSF P351 para la efectividad en la reducción de alérgenos.



NSF Protocol P172  
Esterilización Desempeño de Residencial y Comerciales, Lavadoras de Tamaño de la Familia



NSF Protocol P351  
Reducción de alérgenos para Residencial y Comerciales, Lavadoras de Tamaño de la Familia



# USAR LA LAVADORA

**C**

## Soil (Suciedad)



Al cambiar el nivel de suciedad, aumenta o disminuye el tiempo de lavado con el fin de eliminar las distintas cantidades de suciedad.

A fin de modificar el nivel de Soil (Suciedad), ubique la sección sobre nivel de Suciedad en la pantalla de ciclos, y gire hacia arriba o abajo hasta llegar a la configuración deseada. Puede elegir entre los niveles de suciedad Extra Light (Muy Poca), Light (Poca), Normal, Heavy (Mucha) or Extra Heavy (Muy Mucha).

**D**

## Temp (Temperatura)



Ajuste este control para seleccionar la temperatura del agua adecuada para el ciclo de lavado. El agua de prelavado y enjuagado está siempre fría para poder reducir el consumo de energía y las manchas y arrugas.

Siga las indicaciones de la etiqueta de cuidado del fabricante del tejido al seleccionar la temperatura de lavado.

A fin de modificar la temperatura de lavado, ubique la sección Temp (Temperatura) en la pantalla de ciclos, y gire hacia arriba o abajo hasta llegar a la configuración deseada. Usted puede elegir entre Cold (Frío), Cool (Fresco), Warm (Cálido), Hot (Caliente) o Extra Hot (Muy Caliente).

**E**

## Spin (Centrifugado)



Al cambiar la configuración de centrifugado, cambia la velocidad final de centrifugado de los ciclos. Siga siempre las indicaciones de la etiqueta de cuidado del fabricante de la prenda al cambiar la configuración de centrifugado.

A fin de modificar la configuración de Spin (Centrifugado), ubique la sección sobre Centrifugado en la pantalla de ciclos, y gire hacia arriba o abajo hasta llegar a la configuración deseada. Usted puede elegir entre No Spin (Sin Centrifugado), Low (Bajo), Medium (Medio), High (Alto) o Max. (Máximo).

Con dichas velocidades, se elimina más agua de las prendas y se reduce el tiempo de secado, aunque también puede aumentar la posibilidad de que se formen arrugas en algunos tejidos.

**F**

## Rinse (Enjuague)



Cambiar Rinse (Enjuague) modificará el número de enjuagues que el ciclo usará. A fin de modificar la opción de enjuague, ubique la sección Rinse (Enjuague) en la pantalla de ciclos, y gire hacia arriba o abajo hasta llegar a la configuración deseada. Usted puede elegir entre Normal (Normal), Extra (Adicional) y sin enjuague.

**G**

## Delay Wash (Lavado retrasado)

Use esta función para retrasar el inicio de su lavadora.



1. Elija el ciclo de lavado y cualquier opción.
2. En la sección Delay Wash (Lavado retrasado), usted puede cambiar el tiempo de retraso por incrementos de 1 hora y hasta 24 horas.
3. Mantenga presionado el botón Start (Iniciar) durante 1 segundo para iniciar la cuenta regresiva. El tiempo de retraso seleccionado no se mostrará en la pantalla. Sólo estará visible el tiempo estimado del ciclo. Una vez que el período del tiempo de retraso haya sido completado, se iniciará el ciclo de secado seleccionado.

**NOTA:** Si se abre la puerta mientras la secadora se encuentra en la función **Delay Wash** (Lavado retrasado), el tiempo de la cuenta regresiva no se reiniciará a menos que la puerta sea cerrada y se presione **Start** (Iniciar) nuevamente..

# USAR LA LAVADORA

**H**

## Guía de Eliminación de Manchas



La Guía de Eliminación de Manchas está preprogramada con las configuraciones de lavado y enjuague ideales, a fin de eliminar cinco tipos de manchas comunes. Para usar esta función, seleccione el ciclo de lavado deseado y luego ubique el menú de la guía Stain Removal (Eliminación de Manchas) y seleccione la mancha que desee eliminar. Luego, presione Start (Iniciar).

Para algunas manchas, se seleccionará un prelavado de forma automática. Si así lo desea, agregue detergente o aditivo de lavado en el dispensador del prelavado. La función Add Steam (Agregar Vapor) no podrá ser seleccionada junto con esta función.

**I**

## Opciones

### PreWash (Prelavado)



El prelavado es un lavado adicional que se realiza antes del lavado principal. Utilícelo con prendas muy sucias o con aquellas prendas en cuyas etiquetas de cuidado se recomiende realizar un prelavado. Asegúrese de añadir detergente de alta eficacia líquido o en polvo o la sustancia de lavado correspondiente en la cubeta de prelavado. La función **PreWash** (Prelavado) llenará la lavadora con agua (agregando el detergente de prelavado), hará girar la ropa, efectuará el desagüe y el centrifugado. Luego la lavadora realizará el ciclo de lavado seleccionado. **NOTA:** La función **PreWash** (Lavado Previo) no es seleccionada automáticamente y deberá ser seleccionada antes de iniciar el ciclo.

### Cuidado en el Giro

Gira sus prendas de forma periódica hasta durante 8 horas una vez que el ciclo de lavado es completado, a fin de reducir arrugas y pliegues cuando no pueda pasar la ropa a la secadora de inmediato. Al final del ciclo, la pantalla pasará a "END" (Fin), y luego de diez minutos Tumble Care (Cuidado en el Giro) se iniciará. Esta función se podrá detener en cualquier momento presionando el botón Power (Encendido). **NOTA:** La opción Tumble Care (Cuidado en el Giro) no podrá ser agregada a la función My Cycle (Mi Ciclo).

### Vapor

Steam (Vapor) agrega vapor a la lavadora al comienzo del ciclo a fin de ayudar a aflojar manchas en los ciclos **Whites** (Blancos), **Normal**, **Casuals** (Ropa de uso diario), **Bulky Items** (Prendas Gruesas), **Jeans, Towels/Sheets** (Toallas/Sábanas), **Active Wear** (Uso Activo), and **Baby Care** (Cuidado del bebé) cycles.

Para usar:

1. Coloque el encendido en ON (Encender) y seleccione un ciclo de lavado que posea **Steam** (Vapor) como opción.
2. Seleccione el botón **Add Steam** (Agregar Vapor) para activar el vapor.
3. Presione el botón **Start/Pause** (Iniciar/ Pausar).

### Time Saver (Ahorro de Tiempo)

Use esta opción para reducir el ciclo general de lavado en al menos un 20% sin sacrificar el rendimiento del lavado. Esta función está disponible en todos los ciclos, excepto en **Quick Wash** (Lavado rápido), **Sanitize** (Desinfección), **Allergen** (Alergenos), **Rinse+Spin** (Enjuague + Centrifugado), **Drain+Spin** (Escurrir + Centrifugar) y **TubClean**. Esta opción modificará el ciclo de lavado, elevará ligeramente la temperatura de lavado y usará más agua para proporcionar un rendimiento de lavado igual al ciclo básico. Todas las demás funciones, como **Prewash** (Prelavado), **Extra Rinse** (Enjuague adicional), **Add Steam** (Agregar vapor), etc., se pueden usar con **Time Saver** (Ahorro de tiempo), pero pueden ajustar el tiempo total de lavado.

Para usar:

1. Presione el encendido y seleccione un ciclo de lavado que posea **Time Saver** (Ahorro de tiempo) como opción.
2. Realice cualquier ajuste a **Soil** (Suciedad), **Temp** (Temperatura) y **Spin** (Centrifugar), según lo desee.
3. Presione el botón **Time Saver** (Ahorro de tiempo) para reducir el tiempo total de lavado.
4. Presione el botón **Start/Pause** (Iniciar/Pausar).

**J**

My cycle




## My Cycle (Mi ciclo)

Establezca su combinación de configuraciones preferida para cada ciclo, guarde la misma aquí y recuperarla con un solo toque. Estas configuraciones a medida se podrán activar cuando un ciclo esté en progreso.

**NOTA:** Puede guardar 1 combinación de configuraciones de My Cycle (Mi Ciclo) para cada ciclo.

Para guardar una combinación de configuraciones de **My Cycle (Mi Ciclo)**:

1. Seleccione su ciclo de lavado.
2. Cambie las configuraciones de Temp (Temperatura) y Level (Nivel) de acuerdo a sus necesidades.
3. Seleccione cualquier opción de lavado que desee.
4. Mantenga presionada la opción  durante 3 segundos para guardar su selección. Sonará un pitido y el botón se iluminará.

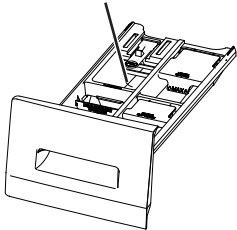
**Para recordar la combinación guardada de My Cycle (Mi Ciclo):**

Seleccione el ciclo y presione la opción  antes de secar una carga.

**Para cambiar la combinación guardada de My Cycle (Mi Ciclo):**

Repita los pasos 1 a 4.

Compartimiento de prelavado



# USAR LA LAVADORA

## K Ciclo de inicio



## Start/Pause (Inicio/Pausa)

Presione este botón para comenzar un ciclo de lavado. Si la lavadora está en funcionamiento, presionar este botón una vez pausará la lavadora y destrabará la puerta. Esta función podrá ser usada para agregar prendas durante un ciclo. Presione el botón nuevamente para reiniciar el ciclo de lavado.

### Inicio

Mantenga presionada esta función durante 1 segundo para iniciar o reiniciar un ciclo.

### Pausa

Si la lavadora está en funcionamiento, mantenga presionada esta función durante 1 segundo para pausar el ciclo. Esta función podrá ser usada para agregar prendas durante un ciclo.

**NOTA:** Si la lavadora es pausada y el ciclo no es reiniciado dentro de los 15 minutos, el ciclo de lavado actual será cancelado.

## Ciclo de pausa



## L Símbolo de Bloqueo

## Lock (Bloquear)

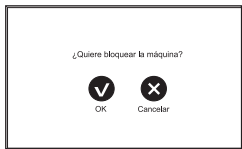
Puede bloquear los controles para evitar que se haga cualquier selección. O puede bloquear o desbloquear los controles luego de haber iniciado un ciclo.

Los niños no pueden iniciar de forma accidental la secadora presionando las teclas cuando esta opción haya sido seleccionada.

Para bloquear los controles de la secadora, mantenga presionado el símbolo de bloqueo (🔒) en la esquina superior derecha durante 3 segundos y aparecerá una pantalla de bloqueo.

Para desbloquear los controles de la secadora, mantenga presionado el símbolo de desbloqueo (🔓) durante 3 segundos y la pantalla de bloqueo desaparecerá.

**NOTA:** El botón Power (Encendido) aún podrá ser usado cuando la máquina esté bloqueada.



## M Símbolo del equipo

## Configuraciones

Seleccione el símbolo del equipo (⚙️) en la esquina superior derecha para ingresar a la pantalla Settings (Configuraciones).

### Volumen

Cuando el panel de control se encuentre encendido, la lavadora emitirá un pitido al final del ciclo y cada vez que presione un botón en el panel de control.

Use la tecla de opciones para seleccionar High (Alto), Med (Medio), Low (Bajo), u Off (Apagado).

**NOTA:** El volumen seleccionado es tanto para el final del ciclo como para los sonidos de las teclas.

### Idioma

Use la tecla **Option** (Opción) para seleccionar English (Inglés), Spanish (Español) o French (Francés).

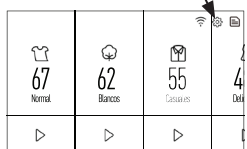
### Brillo

Para modificar el brillo de la pantalla, use el control deslizante de brillo para pasar de más oscuro a más brillante.

### Conexión WiFi + La luz de la tina

Use el botón de cambio **Conexión WiFi + La luz de la tina** para encender o apagar esta función. Encender esta función permitirá activar la función Conexión WiFi y así el uso de la luz del tambor cuando la puerta se abra y cierre. Siga las instrucciones de la pantalla de Conexión WiFi usando la información provista para conectarse a la Aplicación GEA Laundry (Lavandería de GE Appliances). Apagar esta función desactivará la función Conexión WiFi y permitirá así desactivar la luz del tambor.

**NOTA:** Cuando la lavadora sea configurada con la Aplicación GEA Laundry (Lavandería de GE Appliances), se podrá contar con un nuevo software disponible para su instalación. Luego de la aprobación de la instalación del nuevo software a través de la Aplicación GEA Laundry (Lavandería de GE Appliances), la luz del tambor de la lavadora parpadeará durante la instalación del software. La luz del tambor de la lavadora dejará de parpadear y se apagará una vez finalizada la instalación del software.



# USAR LA LAVADORA

## Depósito de detergente

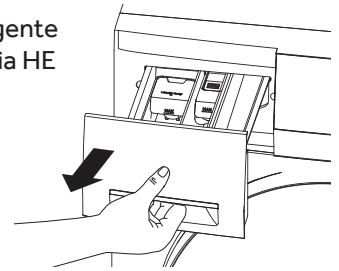
Abra lentamente el depósito de detergente tirando de él hasta que se detenga.

Tras añadir los productos de lavado, ciérrelo despacio. Si cierra el depósito demasiado rápido, puede provocar que el suavizante o el detergente se administren antes de tiempo.

Es posible que observe agua en lo compartimento de suavizante al final del ciclo. Este es el resultado de la acción de trasvase y forma parte del funcionamiento normal de la lavadora.

Use sólo detergente de alta eficiencia HE.

Use sólo detergente de alta eficiencia HE



## Compartimento para el detergente

• **Sólo use detergente de alta eficiencia en esta lavadora. Utilice la cantidad recomendada por el fabricante del detergente. NO sobrepase la línea MAX de llenado.**

- El detergente se añade desde el depósito al comienzo del ciclo de lavado. Puede utilizarse detergente de alta eficiencia en polvo o líquido.
- Es posible que haya que ajustar el uso de detergente a la temperatura del agua, a la dureza de la misma, al tamaño y al nivel de suciedad de la carga. Evite utilizar demasiado detergente en la lavadora ya que puede producir demasiado jabón y dejar restos en las prendas.

### Sistema del divisor del cajón (en algunos modelos)

El depósito de detergente se encuentra en la parte **delantera izquierda** del cajón dosificador.

#### • Detergente en polvo –

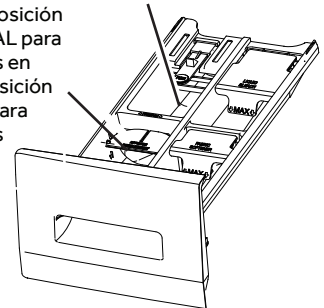
Bloquee la tarjeta de detergente en su posición superior en el compartimento. Asegúrese de que la tarjeta esté bloqueada, luego vierta la cantidad sugerida de detergente en polvo en el dispensador de detergente.

#### • Detergente líquido –

Bloquee la tarjeta de detergente verticalmente en su posición central en el compartimento. Asegúrese de que la tarjeta esté bloqueada, luego vierta la cantidad sugerida de detergente líquido en el dispensador de detergente.

Compartimento de prelavado (no recipiente) – Úselo para detergente líquido y polvo

Bloquee la posición HORIZONTAL para Detergentes en Polvo y la posición VERTICAL para Detergentes Líquidos

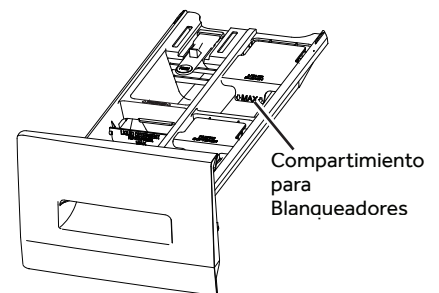


## Compartimento para Blanqueadores

Si se desea su uso, mida que la cantidad de líquido blanqueador recomendada no supere 1/3 de taza (80 ml), y vierta el mismo en el compartimento derecho con la etiqueta "LIQUID BLEACH" (Blanqueador Líquido).

No supere la línea de carga máxima. Una carga excesiva podrá generar un dispensado temprano del blanqueador, lo cual podrá dañar la ropa como resultado.

**NOTA:** No use blanqueador en polvo en el dispensador.



## Compartimento para el suavizante

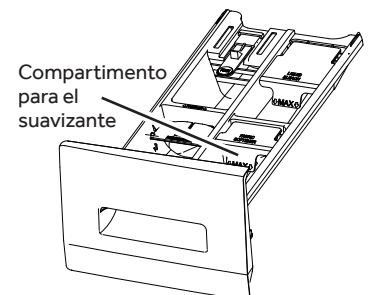
Si lo desea, vierta la cantidad recomendada de suavizante líquido en el compartimento con la etiqueta "Fabric Softener" (suavizante).

Utilice sólo suavizante líquido en el depósito.

Dilúyalo con agua hasta la línea de llenado máximo.

No sobrepase la línea de llenado máximo. Un llenado excesivo puede hacer que el suavizante se administre demasiado pronto y manche las prendas.

**NOTA:** No vierta directamente el suavizante sobre la carga.



# CARGA

Siempre siga las instrucciones del fabricante de la ropa cuando lave.

## Separación de cargas

Separe por color (blancos, claros, colores), nivel de suciedad, tipo de tela (algodones rústicos, limpieza fácil, delicados) y si la tela produce pelusa (tela de toalla, felpilla) o junta pelusa (terciopelo, pana). Lave los productores de pelusas tales como toallas de algodón y medias aparte de los recolectores de pelusas, incluyendo prendas sintéticas y pantalones de vestir.

### **ADVERTENCIA** - Riesgo de incendio

**NO** lave tejidos sucios con líquidos inflamables o disolventes de limpieza.

Ninguna lavadora puede eliminar el aceite por completo.

**NO** lave o seque cualquier cosa remojada o salpicada con cualquier tipo de aceite (incluyendo aceites de cocina).

**NO** toque el interior de la lavadora antes de que todas las partes en movimiento se hayan detenido.

Si lo hace, eso puede ocasionar la muerte, explosión, incendio o amputación.

## Carga de la lavadora

Puede que el tambor de la lavadora esté totalmente lleno con prendas sueltas que se añadan.

Para añadir prendas una vez que la lavadora esté en marcha, pulse **Pause** (Pausa) y espere hasta que se desbloquee la puerta. La lavadora puede tardar unos 30 segundos en desbloquear la puerta después de pulsar **Pause** (Pausa), dependiendo de las condiciones de la misma. No intente forzar la puerta para abrirla cuando esté bloqueada. Una vez que se desbloquee, ábrala con cuidado. Añada prendas, cierre la puerta y pulse **Start** (Iniciar) para reiniciar el funcionamiento.

Puede que el tambor de la lavadora esté totalmente lleno con prendas sueltas que se añadan.

### Ejemplos de carga

| ROPA DE TRABAJO  | ROPA DE CAMA  | CARGA MIXTA   | DELICADOS*   | LAVADO RÁPIDO (2-3 PRENDAS)   |
|--|---|---|--|---|
| 3 Jeans<br>3 camisas de trabajo<br>2 pantalones de trabajo | 1 toallon grande<br>6 toallas de baño/<br>8 toallitas<br>4 toalla de mano/<br>1 alfombra de baño de toalla<br>○<br>1 sábana rectas tamaño Queen<br>1 sábana ajustables tamaño Queen<br>2 fundas de almohada | 2 fundas de almohada<br>1 toalla de mano<br>1 sábana rectas/<br>1 sábana ajustable<br>2 toallas de baño/<br>2 toallitas<br>○<br>4 camisas (de hombre o de mujer)<br>3 pantalones (Khakis o de sarga)<br>3 camisetas<br>4 boxers<br>2 shorts<br>○<br>4 camisetas<br>2 pantalones de gimnasia<br>2 sudaderas<br>1 sudadera con capucha<br>5 pares de medias | 4 sostenes<br>4 pantaletas<br>2 enaguas<br>1 camisola<br>3 camisones<br>*Se recomienda el uso de una bolsa de malla de nylon para elementos pequeños | 2 camisas de trabajo informales<br>1 pantalón de trabajo informal<br>○<br>3 uniformes de fútbol |

# CUIDADO Y LIMPIEZA

## Mangueras de suministro de aguas

De forma periódica, inspeccione que no haya pérdidas de agua, desgastes, cortes, corrosión ni bultos en todas las mangueras de entrada de agua. En caso que aparezcan signos de cualquiera de estas fallas, reemplace todas las mangueras de inmediato. Todas las mangueras se deberán reemplazar cada 5 años de uso, a fin de reducir riesgos de fallas por parte de las mangueras y posibles daños ocasionados por el agua. Al reemplazar las mangueras, consulte las Instrucciones de Instalación a fin de realizar una instalación correcta. NO ajuste en exceso ni desgaste las rosas de los accesorios. NO permita que la manguera roce contra objetos filosos, que se retuerza, o se extienda de forma excesiva. Siempre asegúrese de que las juntas de goma de la manguera estén instaladas y libres de goteos al recibir presión.

## Exterior

Limpie inmediatamente cualquier vertido. Limpie con un paño húmedo. Limpie los derrames o compuestos de limpieza con un paño húmedo. El panel de control y los acabados de la lavadora pueden resultar dañados por productos utilizados como tratamiento previo al lavado y removedores de manchas. Aplique estos productos lejos de la lavadora. La tela luego puede lavarse y secarse de manera normal. Los daños provocados a su lavadora por estos productos no están cubiertos por la garantía. No aplique objetos afilados a la superficie.

## Interior

Seque alrededor de la abertura de la puerta de la lavadora, así como la junta obturadora elástica (incluidas las tuberías conectadas) y el cristal de la puerta. Estas zonas deben estar siempre limpias para garantizar un sellado hermético frente al agua.

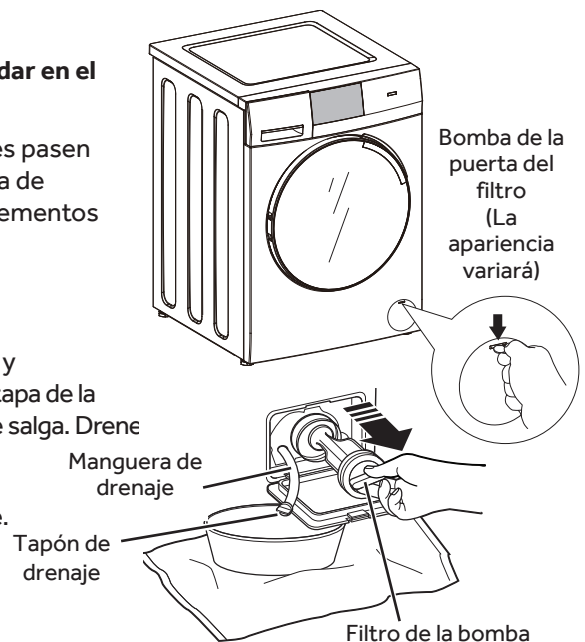
Se recomienda enjuagar la lavadora al menos una vez por mes con 1 taza de cloro (u otro producto disponible comercialmente fabricado para este fin, tal como el limpiador de lavadora Tide®) vertido directamente en la canasta sin ropa y usando el ciclo **Tube Clean** (Limpieza de tambor).

## Filtro de la bomba

**Limpie CADA MES para eliminar los elementos que se hayan podido quedar en el filtro o en la carcasa.**

Debido a la naturaleza de la lavadora de carga frontal, es posible que a veces pasen partículas pequeñas a la bomba. La lavadora cuenta con un filtro de captura de elementos perdidos para que no caigan en el drenaje. Para recuperar los elementos perdidos, limpie el filtro de la bomba.

- 1 Abra la puerta en el extremo inferior derecho del frente de la unidad.
- 2 Gire la tapita blanca en sentido contrario a las agujas del reloj en 1/4 de giro y desenganche la manguera de goma. Tire la manguera del orificio y quite la tapa de la manguera de drenaje sobre un recipiente pequeño para retener el agua que salga. Drene el agua que sobre. Vuelva a colocar.
- 3 Desenrosque el filtro de la bomba. Enjuague cuando hay suciedad presente. Vuelva a colocar.
- 4 Cierre la puerta de acceso.

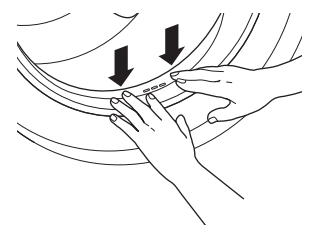


## Junta de la puerta

Abra la puerta de la lavadora. Usando ambas manos, presione la junta de la puerta hacia abajo. Quite los objetos extraños que encuentre atrapados dentro de la junta. Asegúrese de que no haya ningún objeto bloqueando los orificios ubicados detrás de la junta.

Mientras presiona la junta de la puerta hacia abajo, inspeccione la junta interior jalándola hacia abajo con los dedos. Quite los objetos extraños que encuentre atrapados dentro de esta junta. Asegúrese de que no haya ningún objeto bloqueando los orificios ubicados detrás de la junta.

Cuando haya terminado de limpiar la junta de la puerta, quite las manos y las juntas volverán a la posición de funcionamiento.

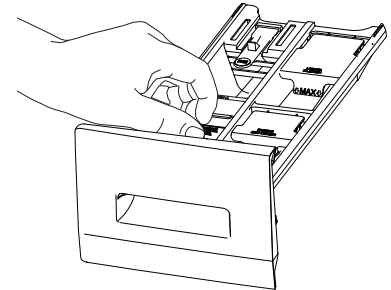
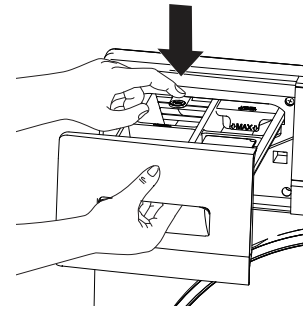


# CUIDADO Y LIMPIEZA

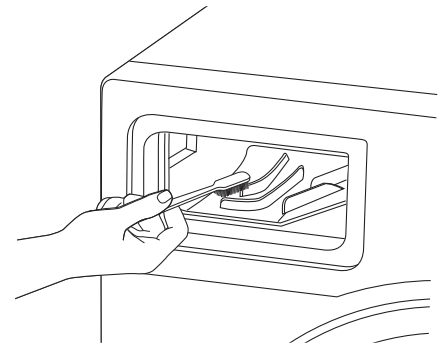
## Zona del depósito de detergente

El detergente y el suavizante pueden acumularse en el depósito de detergente. Los residuos deben eliminarse una o dos veces al mes.

- Saque el depósito tirando de él hasta que se detenga. Luego acerque la mano a la parte central trasera de la cavidad del cajón y presione firmemente sobre la lengüeta de bloqueo, quitando el cajón.
- Quite todos los recipientes y accesorios del cajón dosificador. Enjuague los accesorios, recipientes y cajón con agua caliente para quitar los restos acumulados de productos de lavado.



- Para limpiar la abertura del depósito, utilice un cepillo pequeño a fin de limpiar el hueco. Retire todos los restos de las partes superior e inferior del hueco.
- Vuelva a colocar las piezas en los compartimentos correspondientes. Introduzca de nuevo el depósito de detergente.
- Para reducir la acumulación en la zona del depósito de detergente:



Use sólo detergente de alta eficiencia HE.



## Desplazamiento y almacenamiento

Pida al técnico de servicio que elimine el agua de las tuberías y la bomba de desagüe. No guarde la lavadora en un lugar donde esté expuesta a las inclemencias climáticas. Al mover la lavadora, la cuba debe mantenerse estable utilizando los pernos de transporte que se han extraído durante la instalación. Consulte las Instrucciones de instalación en este manual. Si estas piezas no están disponibles, visite nuestro sitio web en [haierappliances.com/parts](http://haierappliances.com/parts).

## Largas vacaciones

Asegúrese de cortar el agua de todas las llaves de paso. Vacíe todas las tuberías de agua si la temperatura va a encontrarse por debajo de punta de congelación.

# INSTRUCCIONES DE INSTALACIÓN

# LAVADORA




Visite nuestro sitio web en [haierappliances.com](http://haierappliances.com).

## ANTES DE COMENZAR

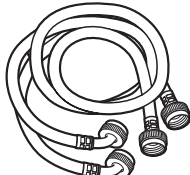
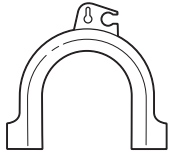

Lea detenidamente todas las instrucciones.

- **IMPORTANTE** — Guarde estas instrucciones para uso del inspector local.
- **IMPORTANTE** — Cumpla todos los códigos y ordenanzas regulatorias.
- **Nota al instalador** — Asegúrese de dejar estas instrucciones al usuario.
- **Nota al usuario** — guarde estas instrucciones para consultas futuras.
- **Nivel de habilidad** — la instalación de este electrodoméstico requiere habilidades mecánicas y eléctricas básicas.
- **Duración** — de 1 a 3 horas
- La instalación adecuada es responsabilidad del instalador.
- La garantía no cubre fallas producidas por la instalación inadecuada del producto.

## HERRAMIENTAS NECESARIAS PARA LA INSTALACIÓN DE LA LAVADORA

- Nivel 
- Llave (provista) 
- Alicates ajustables Channel-lock 

## PIEZAS INCLUIDAS

- Suministro de agua (2) (Arandelas planas preinstaladas) 
- Guía de tuberías 
- Abrazadera de cable 

## UBICACIÓN DE LA LAVADORA

### NO instale la lavadora:

1. En un área expuesta a goteras o a las condiciones del exterior. La temperatura ambiente no debe ser nunca inferior a 60°F (15,6°C) para que la lavadora funcione correctamente.
2. En una zona en la que pueda entrar en contacto con cortinas u otras telas.
3. Sobre una alfombra. El suelo **DEBE** ser una superficie dura con una inclinación máxima de 1/2" por pie (1,27 cm por cada 30 cm). Para asegurarse de que la lavadora no vibre ni se mueva, es posible que tenga que reforzar el suelo.

**NOTA:** Si el suelo se encuentra en mal estado, utilice una plancha con 3/4" de contrachapado bien fija al revestimiento existente en el suelo.

### IMPORTANTE:

#### Distancias mínimas de separación para la instalación

- Cuando se instale en alcoba: costados/parte trasera = 0" y parte superior = 1" (2,54 cm)
- Cuando se instale en un armario: costados/parte trasera = 0" y parte superior/parte delantera = 1" (2,54 cm)
- Se deberá considerar que se debe brindar el despeje adecuado para la instalación y el servicio técnico.
- Las puertas del armario deben contar con rejillas u otro tipo de ventilación y tener por lo menos 60 pulgadas cuadradas (387,1 cm<sup>2</sup>) de espacio abierto. Si el armario incluye una lavadora y una secadora, las puertas deben contener un mínimo de 120 pulgadas cuadradas (774,2 cm<sup>2</sup>) de espacio abierto.

## INSTALACIÓN EN CASAS RODANTES

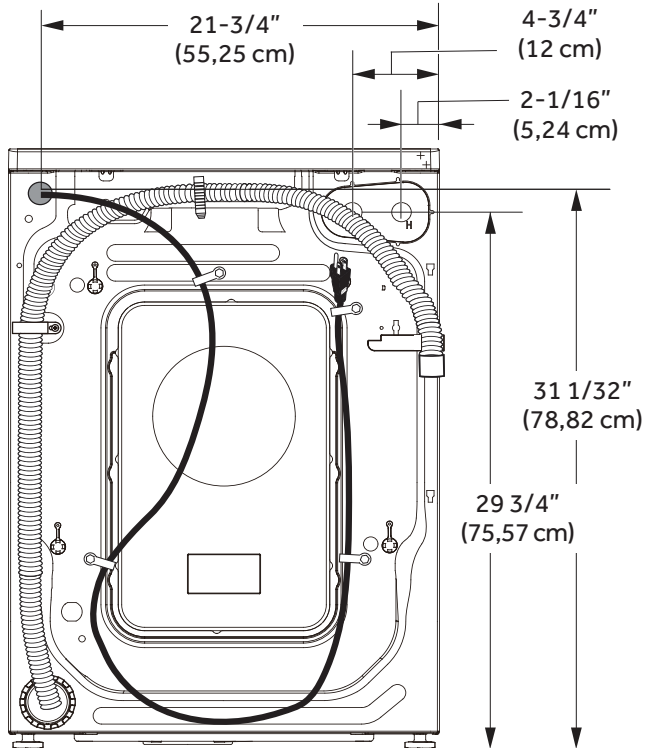
La instalación se deberá realizar conforme con la Ley de Estándar para Casas Rodantes (Standard for Mobile Homes), ANSI A119.1 y de Estándares Nacionales de Construcción y Seguridad de Casas Rodantes (National Mobile Home Construction and Safety Standards Act) de 1974 (PL93-383).



# INSTRUCCIONES DE INSTALACIÓN

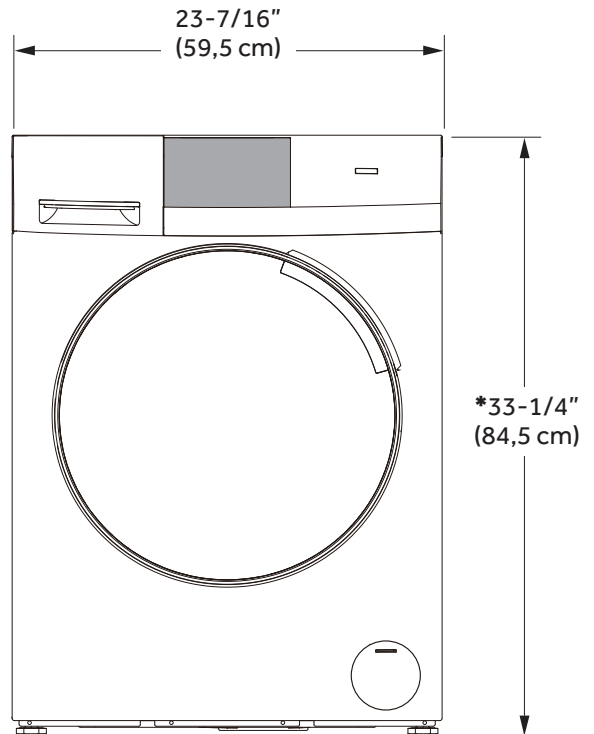
## DIMENSIONES DE CONEXIÓN

PARTE POSTERIOR

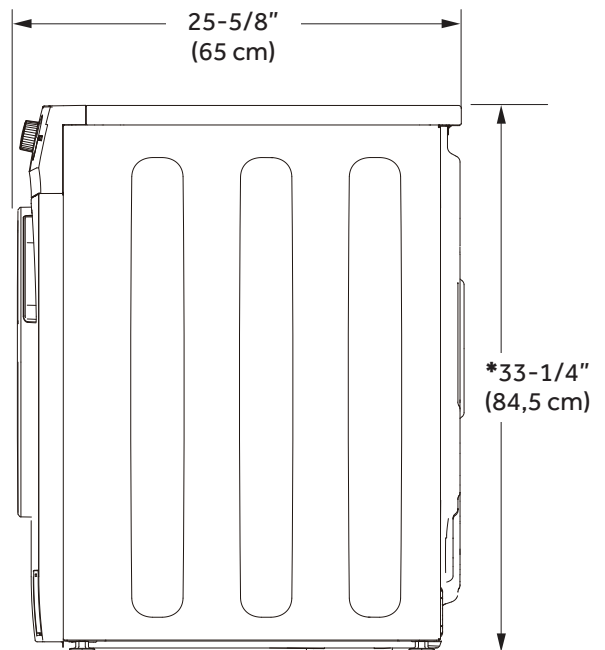


## DIMENSIONES APROXIMADAS

PARTE DELANTERA



COSTADO



### \*NOTA:

Patas niveladoras de la lavadora retraídas = 33-1/4" (84,5 cm)

Patas niveladoras de la lavadora desplegadas = 33-3/4" (85,5 cm)

Apilada = 66-1/2" (169 cm)

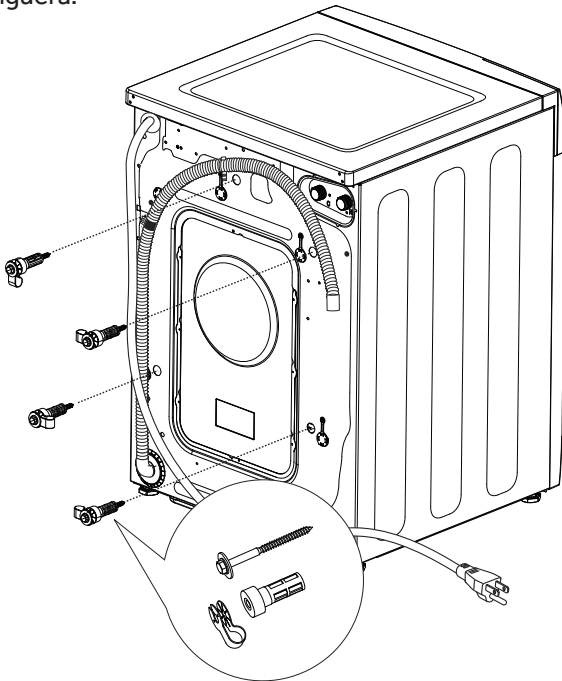
# INSTRUCCIONES DE INSTALACIÓN

## DESEMBALAJE DE LA LAVADORA

**⚠ ADVERTENCIA** Recicle o deseche la caja de cartón y las bolsas de plástico una vez que haya desembalado la lavadora. Mantenga estos materiales fuera del alcance de los niños, pues éstos podrían utilizarlos para jugar. Las cajas de cartón cubiertas con mantas, colchas o láminas de plástico pueden convertirse en cámaras de aire herméticas y producir asfixia.

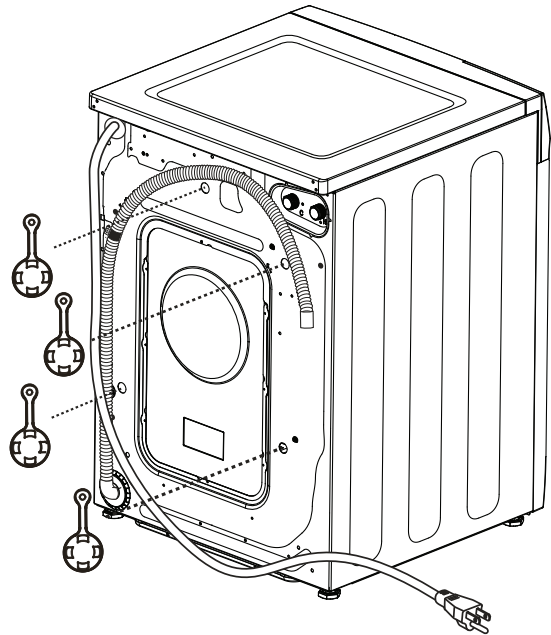
1. Corte y elimine todas las cintas de embalaje.
2. Mientras se encuentre dentro de la caja, coloque con cuidado la lavadora sobre el costado de la misma. NO la tumbé por la parte delantera ni trasera.
3. Abra las tapas inferiores y retire todo el embalaje de la base, incluido la base de la cuba de espuma de poliestireno.
4. Vuelva a levantar la lavadora con cuidado y retire la caja de cartón.
5. Desplace poco a poco la lavadora hasta 4 pies (122 cm) de su ubicación definitiva.
6. Quite las siguientes piezas de la parte trasera de la lavadora:
  - 4 pernos
  - 4 separadores de plástico (incluidas las arandelas de goma)

**NOTA:** NO retire el tornillo o pinza que sostiene la manguera.



## DESEMBALAJE DE LA LAVADORA (cont.)

7. Introduzca los tapones para orificios de pernos de embalaje en los orificios.



### NOTAS:

- Si se retiran incorrectamente los pernos de transporte, puede que la lavadora se vea gravemente desequilibrada.
- **IMPORTANTE:** Guarde todos los pernos para uso futuro.

Si necesitara transportar la lavadora posteriormente, debe volver a colocar las piezas de sujeción para el transporte con el fin de evitar daños durante el mismo. Guarde dichas piezas en la bolsa de plástico que se incluye.

**NOTA:** Tenga en cuenta las opciones de reciclaje del material de embalaje de su electrodoméstico.

# INSTRUCCIONES DE INSTALACIÓN

## REQUISITOS ELÉCTRICOS

### ⚠️ ADVERTENCIA - Riesgo de Descarga Eléctrica

Enchufe a un tomacorriente de 3 clavijas con conexión a tierra.

**NO** retire la terminal de tierra.

**NO UTILICE** un cable de extensión.

**NO UTILICE** un enchufe adaptador con este artefacto.

Si no se siguen estas instrucciones, se podrá producir la muerte, incendio o descargas eléctricas.

**CIRCUITO** – individual, correctamente polarizado y conectado a un disyuntor de 15 o 20 amperes o a un fusible con retardo.

**SUMINISTRO DE CORRIENTE** – 2 cables y conexión a tierra, 120 voltios, fase simple, 60 Hz., corriente alterna.

**Receptáculo Externo** – receptáculo de 3 clavijas correctamente conectado a tierra, ubicado de modo que el cable de corriente esté accesible cuando la lavadora esté en una posición instalada. Si hay un

receptáculo de 2 clavijas, es responsabilidad del propietario solicitar a un electricista matriculado que reemplace el mismo por un receptáculo de 3 clavijas con conexión a tierra, que esté correctamente conectado a tierra.

La lavadora deberá estar correctamente conectada a tierra de acuerdo con los códigos y ordenanzas locales, o en ausencia de códigos locales, con la última edición del Código Eléctrico Nacional, ANSI/NFPA NO. 70 o el Código Eléctrico Canadiense, CSA C22.1. En caso de no estar seguro de que la lavadora esté correctamente conectada a tierra, consulte a un electricista matriculado.



## INSTRUCCIONES DE CONEXIÓN A TIERRA

Este electrodoméstico deberá estar conectado a tierra. En caso de avería o mal funcionamiento, la conexión a tierra reducirá el riesgo de descargas eléctricas al brindar un camino con una resistencia menor para la corriente eléctrica. Este electrodoméstico está equipado con un cable con un conductor para la conexión a tierra del equipo y un enchufe con conexión a tierra. El enchufe deberá estar conectado a un tomacorriente instalado en forma adecuada y con conexión a tierra de acuerdo con todos los códigos y ordenanzas locales.

⚠️ **ADVERTENCIA** Una conexión inapropiada del conductor de conexión a tierra del equipo puede provocar riesgos de descargas eléctricas. Consulte a un electricista calificado o personal o representantes del servicio técnico si tiene dudas de que el electrodoméstico se encuentre conectado a tierra apropiadamente. **NO** modifique el enchufe en el cable de suministro de corriente. Si no coincide con la toma de corriente, contrate a un electricista calificado para que instale una toma de corriente en forma adecuada.

## INSTRUCCIONES DE CONEXIÓN A TIERRA (cont.)

Si los códigos locales lo requieren, se podrá agregar un cable a tierra externo de cobre de calibre 18 o más grande (no provisto). Adhiera el gabinete de la lavadora con un tornillo de chapa metálica N°10-16 x 1/2" (disponible en cualquier tienda de repuestos) a la parte trasera de la lavadora.

### ⚠️ ADVERTENCIA - Riesgo de Descarga Eléctrica

Desconecte el suministro de corriente antes de realizar el servicio técnico.

Reemplace todas las piezas y paneles antes de utilizar.

Si no cumple con esto, se podrá producir la muerte o descarga eléctrica.

### ⚠️ ADVERTENCIA - Riesgo de Descarga Eléctrica

Ciertas piezas internas no tienen conexión a tierra en forma intencional y pueden presentar un riesgo de descarga eléctrica sólo durante la reparación.

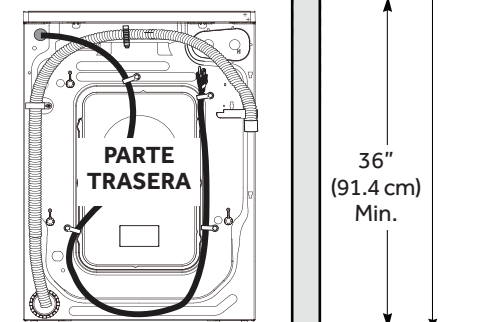
**Personal de reparación – NO** toque las siguientes piezas cuando el aparato esté recibiendo energía: Válvula eléctrica, Bomba de desague, NTC y Unidad de control del motor.

## REQUISITOS DE SUMINISTRO DE AGUA

Las llaves de paso de agua caliente y fría DEBEN encontrarse a 42 pulgadas (107 cm) como máximo de la toma de agua de la lavadora. Las llaves de paso DEBEN ser de 3/4" (1.9 cm) y tipo jardín para que se puedan conectar las tuberías de entrada. La presión del agua DEBE estar entre 10 y 120 libras por pulgada cuadrada. La compañía de agua puede informarle de la presión del agua. La temperatura del agua caliente se debe establecer para suministrar agua a una temperatura de entre 120° y 140°F (48°– 60°C) para brindar un desempeño adecuado del control automático de temperatura (ATC).

## REQUISITOS DE DESAGÜE

1. Desagüe capaz de eliminar 9.5 gal. (36 l) por minuto.
2. Diámetro mínimo de tubería vertical de 1 1/4" (3,18 cm).
3. La altura de la tubería vertical desde el suelo debe ser:  
Altura mínima: 36" (91.4 cm)  
Altura máxima: 58" (147 cm)



# INSTRUCCIONES DE INSTALACIÓN

## INSTALACIÓN DE LA LAVADORA

1. Deje correr un poco de agua de los grifos de agua caliente y fría para purgar las tuberías de agua y eliminar las partículas que puedan obstruir los filtros de la válvula de agua.
2. Saque las tuberías de entrada de la bolsa de plástico. Quite las arandelas negras de goma de la bolsa y colóquelas dentro del accesorio de la manguera antes de conectar la unidad.

### 3. (Extremo acodado de 90°)

Conecte con cuidado la tubería de entrada marcada con HOT (Caliente) a la salida "H" exterior de la válvula de agua. Apriete con la mano y, a continuación, apriete 2/3 de vuelta con los alicates. Conecte con cuidado la otra tubería de entrada a la salida "C" interior de la válvula de agua. Apriete con la mano y, a continuación, apriete 2/3 de vuelta con los alicates. **No pase las roscas ni apriete excesivamente estas conexiones.**



4. Conecte los extremos de la tubería de entrada a las tomas de agua CALIENTE y FRÍA ajustándolos con la mano y, a continuación, apriete de nuevo 2/3 de vuelta con los alicates. Abra la llave de paso y compruebe que no hay ninguna fuga.

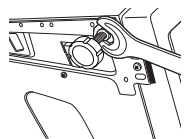


5. Desplace la lavadora con cuidado hasta su ubicación final. Mueva suavemente la lavadora para situarla en su lugar. Es importante no dañar las patas niveladoras de caucho al trasladar su lavadora a su ubicación final. Si las patas se dañan podría aumentar la vibración de la lavadora. Podría ser útil rociar el piso con limpiador para ventanas a fin de trasladar más fácilmente su lavadora a su ubicación final. **NOTA: Para reducir la vibración, asegúrese de que cada una de las cuatro patas niveladoras estén en contacto con el piso. Empuje y tire de la parte posterior derecha y luego de la parte posterior izquierda de su lavadora.**

**NOTA:** No utilice el depósito de detergente ni la puerta para levantar la lavadora.

**NOTA:** Si se instala en un depósito de desagüe, puede utilizar una tabla 2x4 de 24 pulgadas de longitud para colocar la lavadora en su lugar haciendo palanca.

6. Una vez situada la lavadora en su posición final, coloque un nivel en la parte superior de la misma (si está instalada debajo de un contador, la lavadora no debería vibrar). Ajuste las patas niveladoras delanteras hacia arriba o hacia abajo para asegurarse que la lavadora se apoya en una superficie sólida. Gire las contratuercas de cada pata hacia la base de la lavadora y apriéte las con una llave.

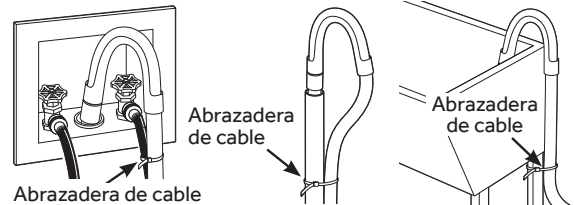


**NOTA: Mantenga la extensión de los soportes al mínimo para evitar una vibración excesiva. Cuanto más se extiendan las patas, más vibrará la lavadora.**

Si el suelo no está nivelado o está dañado, puede que sea necesario extender las patas niveladoras traseras.

## INSTALACIÓN DE LA LAVADORA (cont.)

7. Coloque la guía de la tubería en forma de U en el extremo de la tubería de desagüe. Coloque la tubería en una pila de lavar o tubería vertical y sujétela con la abrazadera de cable que se proporciona en el paquete adjunto.



**NOTA:** Si la tubería de desagüe se coloca en una tubería vertical que no tiene forma de U, se puede producir un efecto sifón. Debe haber un espacio de aire alrededor de la tubería de desagüe. Una tubería demasiado ajustada también puede producir un efecto de sifón.

**NOTA:** No coloque la manguera de drenaje en una profundidad superior a 7" en el drenaje. Se sugiere entre 4" y 7". Más profundidad que 7" podrá producir una acción de sifonaje.

8. Enchufe el cable de alimentación en una salida de conexión a tierra.

**NOTA:** Asegúrese de que la alimentación está cortada en un interruptor/caja de fusibles antes de enchufar el cable de alimentación a una toma de corriente.

9. Conecte la alimentación a un interruptor/caja de fusibles.

10. Lea el resto del Manual del propietario. Contiene información valiosa y útil que supondrá un ahorro de tiempo y dinero.

11. Antes de poner en funcionamiento la lavadora, asegúrese de comprobar lo siguiente:

- La alimentación está conectada.
- La lavadora está enchufada.
- Las llaves de paso están abiertas.
- La lavadora está nivelada y que cada una de las cuatro patas niveladoras estén en contacto con el piso.
- Las piezas de sujeción para el transporte se han quitado y guardado.
- La tubería de desagüe se ha asegurado correctamente.
- No existe ninguna fuga en la llave de paso, la tubería de desagüe ni la lavadora.

12. Ponga en funcionamiento la lavadora en un ciclo completo. Compruebe que no haya fugas de agua y que funcione correctamente.

13. Si la lavadora no funciona, revise la sección **Consejos para la solución de problemas** antes de ponerse en contacto con el servicio de asistencia técnica.

14. Coloque las instrucciones en un lugar próximo a la lavadora para futuras consultas.

## PIEZAS DE REPUESTO

Visite nuestro sitio web en [haierappliances.com/parts](http://haierappliances.com/parts).

# SOLUCIÓN DE PROBLEMAS

| Problema  | Causas posibles  | Solución   |  |
|---|--|--|--|
| No hay drenaje<br>No hay rotación<br>No hay giro  | La carga está desequilibrada   | Redistribuya las prendas y accione el <b>Rinse+Spin</b> (Enjuague+Centrifugado).<br>Aumente el tamaño de la carga si lava una carga pequeña que contiene elementos pesados y livianos.   |  |
|   | El filtro de la bomba podría estar obstruido   | Ver la <b>Cuidado y limpieza</b> sobre cómo limpiar el <b>Filtro de la bomba</b> .   |  |
|   | La manguera de drenaje está torcida o mal conectada  | Enderece la manguera de drenaje y verifique que la lavadora no la esté aplastando.   |  |
|   | El drenaje de la vivienda puede estar obstruido  | Controle la cañería de la vivienda. Quizás deba llamar a un plomero  |  |
|   | La manguera de drenaje hace efecto sifón; la manguera de drenaje se ha empujado muy profundamente dentro del drenaje | Verifique que haya un espacio de aire entre la manguera y el drenaje   |  |
| Fugas de agua   | La junta de la puerta está desbalanceada   | Revise que la junta esté colocada en su sitio y que no se haya roto. Los objetos dejados en los bolsillos podrían causar daños a la lavadora (clavos, tornillos, lápices, bolígrafos).<br>El agua podría gotear de la puerta cuando la misma está abierta. Esto forma parte del funcionamiento normal.<br>Con cuidado limpie el sellado de goma de la puerta. A veces quedan suciedades o prendas en este sellado y pueden provocarse pequeñas pérdidas. |  |
|   | Revise la parte posterior izquierda de la lavadora para verificar si hay presencia de agua                           | Si esta área se encuentra mojada, existe una condición haya roto. Los objetos dejados en los bolsillos podrían detergente  |  |
|   | Las tuberías de toma de agua la tubería de desagüe no se han conectado correctamente                                 | Asegúrese de que se han apretado correctamente las conexiones de las tuberías de la lavadora y las llaves de paso y que el extremo de la tubería de desagüe se ha introducido y fijado correctamente al desagüe.   |  |
|   | Puede que la tubería de desagüe de la vivienda esté obstruida  | Compruebe las tuberías de la vivienda. Puede que sea necesario llamar a un plomero.  |  |
|   | Depósito tapado  | El jabón en polvo puede provocar atascos dentro del depósito y hacer que salga agua desde el frente del depósito. Quite el cajón y límpielo, al igual que la parte interna de la caja del depósito. Consulte la sección de <b>Cuidado y limpieza</b> .   |  |
|   | Uso incorrecto del detergente  | Use sólo detergente HE en la cantidad correcta.  |  |
|   | Las prendas están muy mojadas  | La carga está desequilibrada   | Redistribuya las prendas y accione el <b>Rinse+Spin</b> (Enjuague+centrifugado).<br>Aumente el tamaño de la carga si lava una carga pequeña que contiene elementos pesados y livianos. |
|   |  | El filtro de la bomba podría estar obstruido   | Ver la <b>Cuidado y limpieza</b> sobre cómo limpiar el <b>Filtro de la bomba</b> .   |
| Carga excesiva  |  | Cargue la lavadora de manera que haya suficiente espacio para que las prendas se muevan libremente.  |  |
| La manguera de drenaje está torcida o mal conectada   |  | Enderece la manguera de drenaje y verifique que la lavadora no la esté aplastando  |  |
| El drenaje de la vivienda puede estar obstruido   |  | Enderece la manguera de drenaje y verifique que la lavadora no la esté aplastando  |  |
| El drenaje de la vivienda puede estar obstruido   |  | Controle la cañería de la vivienda. Quizás deba llamar a un plomero.   |  |
| La manguera de drenaje hace efecto sifón; la manguera de drenaje se ha empujado muy profundamente dentro del drenaje. |  | Verifique que haya un espacio de aire entre la manguera y el drenaje.  |  |

# SOLUCIÓN DE PROBLEMAS

| Problema  | Causas posibles   | Solución  |
|---|---|---|
| Ciclo incompleto o el empORIZADOR no avanza   | Redistribución de carga automática  | El temporizador se detiene a 1 minuto, la máquina ha distribuido la carga una o dos veces. Esto es una operación normal. No haga nada; la máquina finalizará el ciclo de lavado.  |
|   | El filtro de la bomba podría estar obstruido  | Ver la <b>Cuidado y limpieza</b> sobre cómo limpiar el <b>Filtro de la bomba</b> .  |
|   | La manguera de drenaje está torcida o mal conectada   | Enderece la manguera de drenaje y verifique que la lavadora no la esté aplastando.  |
|   | El drenaje de la vivienda puede estar obstruido   | Controle la cañería de la vivienda. Quizás deba llamar a un plomero.  |
|   | La manguera de drenaje hace efecto sifón; la manguera de drenaje se ha empujado muy profundamente dentro del drenaje                  | Verifique que haya un espacio de aire entre la manguera y el drenaje.   |
| Ruido fuerte o inusual; vibración o movimiento  | Se mueve el gabinete  | La lavadora está diseñada para moverse 1/4" para reducir las fuerzas transmitidas al piso. Este movimiento es normal.   |
|   | Las patas de nivelación de goma no tocan el piso firmemente   | Presione y tire en la parte trasera derecha y luego en la parte trasera izquierda de su lavadora para verificar que esté nivelada. Si la lavadora está desequilibrada, ajuste las patas de nivelación de goma para que estén firmemente en contacto con el piso y trabadas en su lugar. |
|   | Carga desequilibrada  | Pausar la unidad, abra la puerta y redistribuya la carga manualmente. Para controlar la máquina, accione el enjuague y centrifugado sin carga. Si es normal, el desequilibrio fue provocado por la carga.   |
|   | El filtro de la bomba podría estar obstruido  | Ver la <b>Cuidado y limpieza</b> sobre cómo limpiar el <b>Filtro de la bomba</b> .  |
| No hay suministro eléctrico/la lavadora no está en funcionamiento                                 | La lavadora está desconectada   | Asegúrese de que el cable esté enchufado de manera segura en un enchufe funcional.  |
|   | El suministro de agua está cerrado  | Abra por completo las llaves de paso de agua fría y caliente.   |
|   | El interruptor/fusible se ha quemado/saltado  | Compruebe los interruptores/fusibles de la vivienda. Cambie los fusibles o restablezca el interruptor. La lavadora debe tener una toma individual.  |
|   | Revisiones automáticas del sistema  | La primera vez que se enchufa la lavadora, se efectúan las verificaciones automáticas. Podrían pasar hasta 20 segundos antes de que pueda utilizar su lavadora. Esto forma parte del funcionamiento normal.   |
| Enganchones, agujeros, Ver rotos, rasgaduras o deterioro excesivo                                 | Lápices, bolígrafos, clavos, tornillos u otros objetos dejados en los bolsillos   | Retire todos los elementos sueltos de los bolsillos.  |
|   | Alfileres, broches, corchetes, botones en punta, hebillas de cinturones, cremalleras y objetos puntiagudos olvidados en los bolsillos | • Abroche los corchetes, broches, botones y cremalleras.  |
| Error o cambios en el control de tiempo   | Esto es normal  | Durante el giro, es posible que en ocasiones se necesite volver a equilibrar la carga de la lavadora a fin de reducir vibraciones. Cuando esto sucede, se produce como consecuencia una prolongación en el tiempo estimado de lavado.   |
| Cantidad de agua insuficiente   | Esto es normal  | Las lavadoras horizontales no requieren que el tubo se llene de agua, como sí ocurre con las lavadoras con carga superior.  |
| La lavadora se detiene o se debe reiniciar o la puerta de la lavadora está bloqueada y no se abre | El filtro de la bomba podría estar obstruido  | Ver la <b>Cuidado y limpieza</b> sobre cómo limpiar el <b>Filtro de la bomba</b> .  |

# SOLUCIÓN DE PROBLEMAS

| Problema  | Causas posibles  | Solución  |
|---|--|---|
| La puerta no se destraba o presiona Start (inicio) y la máquina no funciona | Esto es normal   | Las lavadoras con tapa frontal comienzan su funcionamiento de manera diferente que las lavadoras con carga superior, y toma varios segundos realizar un control del sistema. La puerta se bloqueará y desbloqueará.   |
|   | Funcionamiento incorrecto  | Simplemente abra y cierre la puerta firmemente y luego presione <b>Start</b> (Iniciar).   |
| El agua no ingresa a la lavadora o ingresa muy lentamente                   | Auto-controles automáticos del sistema   | Después de presionar <b>Start</b> (Iniciar), la lavadora realiza varios controles del sistema. El agua comenzará a correr varios segundos después de presionar <b>Start</b> (Iniciar).  |
|   | Los filtros de válvula de agua quedaron trabados   | Cierre el suministro de agua y quite las mangueras de conexión de agua de la parte superior trasera de la lavadora. Utilice un cepillo o escarbadientes para limpiar los filtros de la máquina. Vuelva a conectar las mangueras y abra el suministro de agua. |
|   | Arandelas del filtro de entrada de agua están obstruidos   | Cierre la llave de paso y quite las tuberías de conexión de agua de la parte trasera superior de la lavadora. Utilice un cepillo o un palillo de dientes para limpiar los filtros de la lavadora. Vuelva a conectar las tuberías y abra la llave de paso.     |
|   | El filtro de la bomba podría estar obstruido   | Ver la <b>Cuidado y limpieza</b> sobre cómo limpiar el <b>Filtro de la bomba</b> .  |
|   | Las mangueras de llenado puede estar torcida   | Verifique que las mangueras de llenado no se encuentren torcidas o tapadas.   |
|   | El suministro de agua está cerrado   | Abra por completo los grifos de agua caliente y fría.   |
|   | Eficiencia de energía  | Esta es una lavadora con buen rendimiento de energía. Como resultado, las configuraciones de temperatura para esta lavadora pueden ser diferentes a las de una lavadora común sin esta característica.  |
|   | Suministro de agua insuficiente  | Asegúrese de que el suministro de agua esté accionado. Verifique que los grifos de agua estén abiertos por completo.  |
|   | La puerta de la lavadora está abierta  | La puerta de la lavadora debe estar cerrada durante todas las operaciones de ciclo de lavado. Si se abre la puerta durante una operación de lavado, todas las funciones se detendrán, incluyendo el ingreso de agua.  |
|   | Conexión incorrecta de la manguera de llenado  | Asegúrese de que las mangueras de llenado conecten el suministro de agua caliente a la entrada de agua caliente de la lavadora y el suministro de agua fría a la entrada de agua fría (caliente a caliente, fría a fría).                                     |
| Formación de arrugas  | Clasificación inadecuada   | No mezcle elementos pesados (como prendas de trabajo) con prendas livianas (como blusas).   |
|   | Carga excesiva   | Cargue la lavadora de manera que haya suficiente espacio para que las prendas se muevan libremente.   |
|   | Ciclo de lavado incorrecto   | Coincida la selección del ciclo con el tipo de tela que está lavando (especialmente para cargas de cuidado fácil).  |
|   | Lavados repetidos en agua demasiado caliente   | Lave con agua tibia o fría.   |
| Prendas grises o amarillentas   | No se colocó suficiente detergente   | Use la cantidad correcta de detergente.   |
|   | No se usó detergente HE (alta eficiencia)  | Use sólo detergente HE.   |
|   | Agua dura  | Utilice agua caliente segura para las telas.  |
|   |  | Utilice un acondicionador de agua como Calgon o instale un suavizante de agua.  |
|   | El agua no está lo suficientemente caliente  | Verifique que el calentador de agua esté suministrando agua a 120°–140°F (48°–60°C).  |
|   | El detergente no se disuelve   | Pruebe con un detergente HE líquido.  |
| Transferencia de colores  | Divida las prendas por color. Si la etiqueta de la tela dice "lavar por separado", puede indicarse colores inestables. |   |

# SOLUCIÓN DE PROBLEMAS

| Problema  | Causas posibles  | Solución  |
|---|--|---|
| Manchas de color  | Uso incorrecto del suavizante de telas   | Consulte el paquete del suavizante de telas sobre las instrucciones y siga las indicaciones de uso del depósito.  |
|   | Dye transfer   | <p>Separe los blancos o los colores claros de los colores oscuros.</p> <p>Quite rápidamente la carga de la lavadora.</p>  |
|   |  |   |
| La temperatura del agua es incorrecta                         | El suministro de agua está mal conectado   | Verifique que las mangueras estén conectadas a los grifos correctos   |
|   | El calentador de agua de la vivienda no está bien configurado  | Verifique que el calentador de agua de la vivienda esté suministrando agua a 120°–140°F (48°–60°C).   |
| Pequeña variación del color metálico                          | Esto es normal   | Debido a las propiedades metálicas de la pintura utilizada con este producto único, pueden ocurrir pequeñas variaciones de color debido ángulos de visualización y condiciones de iluminación.  |
| Mal olor dentro de la lavadora                                | La lavadora no se usó durante un período prolongado, no se utiliza una calidad recomendada de detergentes HE (alta eficiencia) o se está usando demasiado detergente | Haga funcionar un ciclo <b>Tub Clean</b> (Limpieza de tambor).  |
|   |  | En caso de un fuerte olor, puede necesitarse el funcionamiento del ciclo <b>Tub Clean</b> (Limpieza de tambor) más de una vez.  |
|   |  | Use sólo la cantidad de detergente recomendada en el recipiente del detergente.   |
|   |  | Use sólo detergente HE (alta eficiencia).   |
|   |  | Deje la puerta un poco abierta para que el agua se seque. Se requiere una supervisión estricta cuando este aparato es utilizado por niños o en su cercanía. NO permita que los niños jueguen sobre o dentro de este electrodoméstico. |
| Pérdida de detergente   | Ubicación incorrecta de la pieza del detergente  | Asegúrese de que la pieza del detergente esté bien ubicado y colocado. Nunca coloque detergente sobre la línea máxima de llenado.   |
|   | Esto es normal   | Es normal ver una pérdida de detergente sobre la junta de la puerta alrededor de 20 segundos después de llenar el depósito.   |
| Dosificación inadecuada de suavizante                         | Depósito tapado  | Monthly clean the dispenser drawer to remove buildup of chemicals.  |
|   | Se colocó suavizante por encima de la línea máxima de llenado.   | Asegúrese de contar con la cantidad correcta de suavizante.   |
|   | Problemas con el suavizante  | Verifique de que la tapa del suavizante del bien colocado en el depósito o no funcionarán.  |
| El cajón dispensador no dispensa de forma adecuada            | El paquete de detergente para ropa sucia se colocó en el cajón dispensador   | Los paquetes de detergente de ropa sucia no deberían ser usados en el dispensador. Sólo se deberían agregar directamente a la canasta de la lavadora, siguiendo las instrucciones del fabricante.                                     |
| La bomba funciona mientras la lavadora no se encuentra en uso | Atascada en el drenaje del sumidero  | Esto es normal. El drenaje del sumidero está detectando un nivel de llenado de agua no deseado desde un grifo posiblemente abierto. Cierre la válvula de agua e inspeccione que no haya bloqueos en la misma.                         |



# NOTAS

# NOTAS

# GARANTÍA LIMITADA

## haierappliances.com

Todo el servicio de garantía es provisto por nuestros Centros de Servicio de Fabricación, o un técnico autorizado de Servicio al Cliente (Customer Care®). Para programar una visita del servicio técnico, visítenos a través de Internet en [haierappliances.com/support/schedule-service](http://haierappliances.com/support/schedule-service). Indique el número de serie y el número de modelo cuando se comuniquen con nosotros para solicitar el servicio.

Para realizar el servicio técnico de su electrodoméstico se podrá requerir el uso de datos del puerto de abordaje para su diagnóstico. Esto da al técnico del Servicio de Fábrica de Haier Appliances la habilidad de diagnosticar de forma rápida cualquier problema con su electrodoméstico, y de ayudar a Haier Appliances a mejorar sus productos al brindarle a Haier Appliances la información sobre su electrodoméstico. Si no desea que los datos de su electrodoméstico sean enviados a Haier Appliances, solicitamos que le indique a su técnico NO entregar los datos a Haier Appliances en el momento del servicio.

| Por el Período de:                                 | Haier Appliances reemplazará:   |
|--|---|
| <b>Un Año</b><br>Desde la fecha de compra original | <b>Cualquier parte</b> del lavadoras que falle debido a un defecto en los materiales o la fabricación. Durante esta <b>garantía limitada de un año</b> , Haier Appliances también proveerá, <b>sin costo</b> , todo el trabajo y el servicio en el shogar relacionado con el reemplazo de la pieza que presente defectos. |

### Qué No Cubrirá Haier Appliances:

- Viajes del personal de servicio a su casa para enseñarle cómo usar su producto.
- Instalación, entrega o mantenimiento inapropiada.
- Fallas del producto si es maltratado, mal usado, o usado para un propósito diferente del que se creó o si es usado para usos comerciales.
- Cambio de los fusibles de su casa o reajuste del circuito de interruptores.
- Productos sin defectos o rotos, o los cuales se encuentran funcionando como se indica en el Manual del propietario.
- Daños al producto causados por accidentes, incendios, inundaciones o actos de la naturaleza.
- Daños imprevistos resultantes causados por posibles defectos con este electrodoméstico.
- Defectos o daños debido a la puesta en funcionamiento a temperaturas de congelación.
- Daños causados después del envío.
- Producto no accesible para facilitar el servicio requerido.

### EXCLUSIÓN DE GARANTÍAS IMPLÍCITAS

Su única y exclusiva alternativa es la reparación del producto, como se indica en la Garantía Limitada. Las garantías implícitas, incluyendo garantías implícitas de comerciabilidad o conveniencia sobre un propósito particular, se limitan a un año o al período más corto permitido por la ley.

Esta garantía limitada se extiende al comprador original y a cualquier dueño subsiguiente de productos comprados para uso hogareño dentro de EE.UU. Si el producto está en un área donde no se encuentra disponible un Proveedor Autorizado del Servicio Técnico de Haier Appliances, usted será responsable por el costo de un viaje o se podrá requerir que traiga el producto a una ubicación del Servicio Técnico de Haier Appliances Autorizado para recibir el servicio. Para acceder al servicio técnico correspondiente a la garantía, se deberá contar con la prueba de la fecha original de compra. En Alaska, la garantía limitada excluye el costo de envío o llamadas del servicio a su hogar.

Algunos estados no permiten la exclusión o limitación de daños fortuitos o consecuentes. Esta garantía limitada le da derechos legales específicos y es posible que tenga otros derechos legales que varían entre un estado y otro. Para conocer cuáles son sus derechos legales, consulte a la oficina de asuntos del consumidor local o estatal o al Fiscal de su estado.

**Garante: Haier Appliances**  
**Louisville, KY 40225**

Abroche su recibo aquí. Para acceder al servicio técnico de acuerdo con la garantía deberá contar con la prueba de la fecha original de compra.

# SOPORTE AL CLIENTE

## Sitio Web de Haier Appliances

¿Desea realizar una consulta o necesita ayuda con su electrodoméstico? ¡Intente a través del Sitio Web de Haier Appliances las 24 horas del día, cualquier día del año! Usted también puede comprar más electrodomésticos maravillosos de Haier Appliances y aprovechar todos nuestros servicios de soporte a través de Internet, diseñados para su conveniencia. En EE.UU.: [haierappliances.com](http://haierappliances.com)

## Registre su Electrodoméstico

¡Registre su electrodoméstico nuevo a través de Internet, según su conveniencia! Un registro puntual de su producto permitirá una mejor comunicación y un servicio más puntual de acuerdo con los términos de su garantía, en caso de surgir la necesidad. También puede enviar una carta en la tarjeta de inscripción preimpresa que se incluye con el material embalado. En EE.UU.: [haierappliances.com/support/register](http://haierappliances.com/support/register)

## Servicio Programado

El servicio de reparación de expertos de Haier Appliances está a sólo un paso de su puerta. Conéctese a través de Internet y programe su servicio a su conveniencia cualquier día del año. En EE.UU.: [haierappliances.com/support/schedule-service](http://haierappliances.com/support/schedule-service)

## Conectividad Remota

Para solicitar asistencia para la conectividad de red inalámbrica (para modelos con acceso remoto), visite nuestro sitio web en [haierappliances.com](http://haierappliances.com).

## Piezas y Accesorios

Aquellos individuos calificados para realizar el servicio técnico de sus propios electrodomésticos podrán solicitar el envío de piezas o accesorios directamente a sus hogares (se aceptan las tarjetas VISA, MasterCard y Discover). Ordene hoy a través de Internet durante las 24 horas, todos los días. En EE.UU.: Visite nuestro sitio web en [haierappliances.com/parts](http://haierappliances.com/parts).

**Las instrucciones que figuran en este manual cubren los procedimientos que serán realizados por cualquier usuario. Otros servicios técnicos generalmente deben ser derivados a personal calificado del servicio. Se deberá tener cuidado, ya que una reparación indebida podrá hacer que el funcionamiento no sea seguro.**

## Contáctenos

Si no se encuentra satisfecho con el servicio que recibió de Haier Appliances, comuníquese con nosotros a través de nuestro sitio web a [haierappliances.com/support/contact-us](http://haierappliances.com/support/contact-us) con todos los detalles, incluyendo su número telefónico, o escriba a:

En EE.UU.: Haier Appliances, Consumer Relations | PO Box 1780 | Rapid City, SD 57709



0020507767YA