

# RB560DH

## Hotpoint® 30" Free-Standing Electric Range

### DIMENSIONS AND INSTALLATION INFORMATION (IN INCHES)

#### RECEPTACLE LOCATIONS

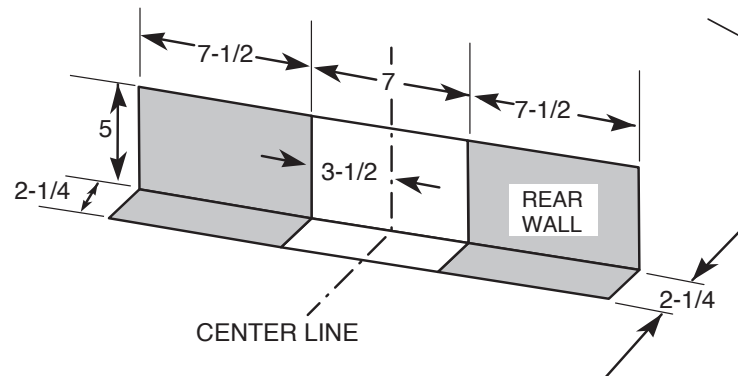
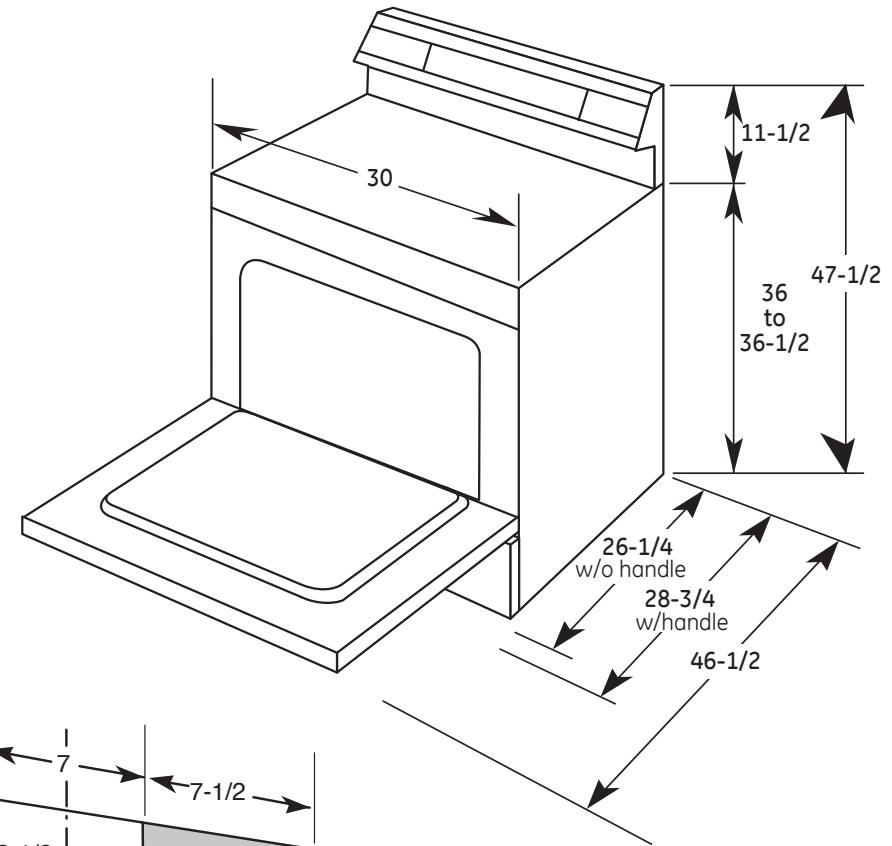
Locally approved flexible service cord or conduit must be used because terminals are not accessible after range installation. See shaded area in drawing for location of electrical outlet box. Recommended outlet locations allow range to be installed directly against wall.

**NOTE:** This appliance has been approved for 0" spacing to adjacent surfaces above the cooktop. However, a 6" minimum spacing to surfaces less than 15" above the cooktop and adjacent cabinet is recommended to reduce exposure to steam, grease splatter and heat.

**INSTALLATION INFORMATION:** Before installing, consult installation instructions for current dimensional data and additional requirements.

KW RATING	
240V	11.7
208V	8.8
BREAKER SIZE	
240V	40 Amps†
208V	40 Amps†

†**NOTE:** Check local codes for required breaker size.



For answers to your Monogram, GE Profile™ Series or GE® Series appliance questions, visit our website at [geappliances.com](http://geappliances.com) or call GE Answer Center® service, 800.626.2000.



All GE ranges are equipped with an Anti-Tip device. The installation of this device is an important, required step in the installation of the range.

Specification Revised 10/15

# RB560DH

## *Hotpoint® 30" Free-Standing Electric Range*

### **FEATURES AND BENEFITS**

Standard clean oven – Smooth surface and rounded corners make clean-up quick and easy

Ceramic glass cooktop – Smooth cooktop easily wipes clean

Ribbon heating elements – Consistent heat and glass surface provide fast, even heating

5.0 cu. ft. oven capacity – Cook more dishes at once

Electronic oven controls – Electronic touch pads are easy to operate

Big view window – Provides a large, convenient viewing area to check the progress of food

Frameless glass oven door – Simple, stylish and easy to clean

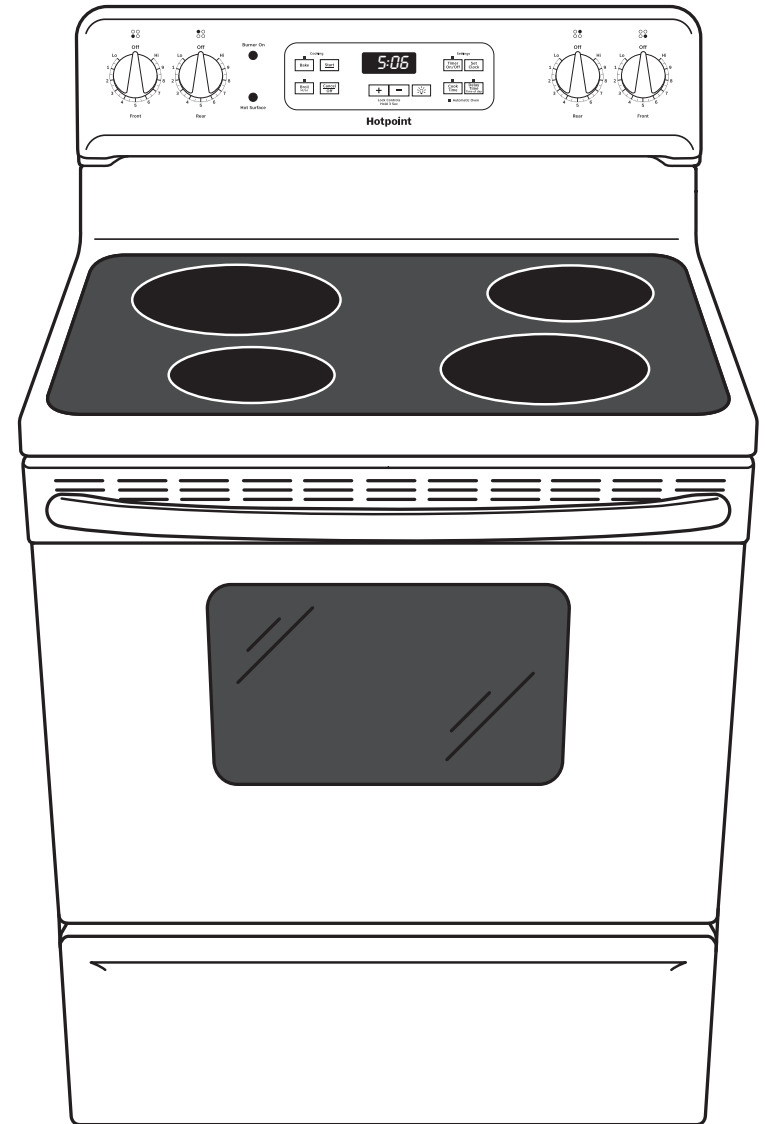
Two oven racks – Durable to securely hold any cookware

Interior oven light – Illuminates the oven interior

Audible preheat signal – Know when the oven is ready

Model RB560DHBB – Black on black

Model RB560DHWW – White on white



**GE APPLIANCES**