

# JTD5000DV/EV/SV

## GE® 30" Smart Built-In Self-Clean Convection Double Wall Oven with Never Scrub Racks

### Dimensions And Installation Information

**Note:** Wall coverings, countertops and cabinets surrounding the wall oven must be able to withstand a temperature of up to 200°F (94°C).

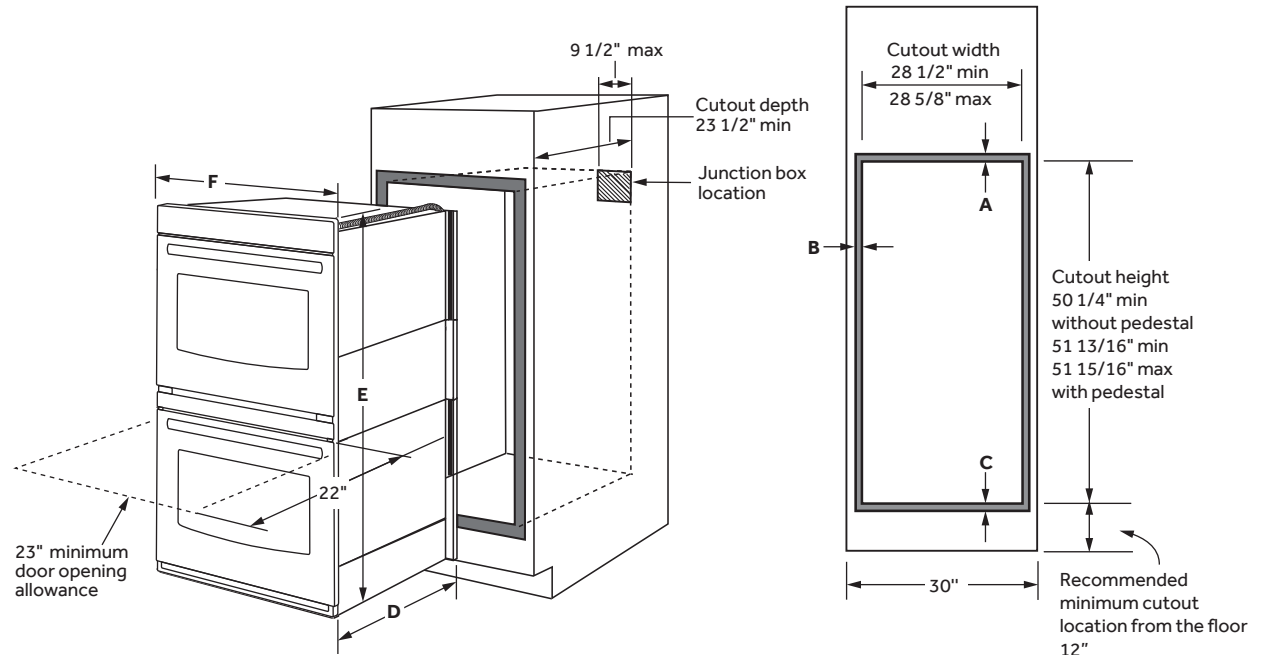
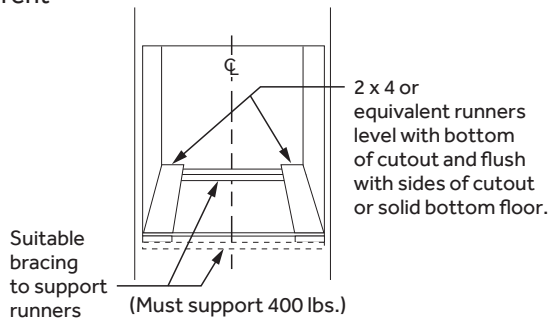
**Note:** If the cabinet in which the wall oven is installed does not have a solid bottom, two braces or runners must be installed to support the weight of the oven. The runners and braces must support up to 400 lbs (181 kg).

**Note:** Door handle protrudes 3" from door face. Cabinets and drawers on adjacent 45° and 90° walls should be placed to avoid interference with the handle.

**Attention Installer:** Electric wall ovens are NOT approved for installation with a plug and receptacle. They must be hardwired into an approved junction box.

**Important:** Before installing, consult installation instructions packed with product for current dimensional data.

KW Rating	
240V	8.4
208V	6.3
Breaker Size	
240V	40 Amps
208V	40 Amps



	JTD5000
<b>Cabinet</b>	30"
A - Overlap of oven at top of cutout	1"
B - Overlap of oven other side of edge of cutout	11/18"
C - Overlap of oven at bottom of cutout	1 1/4"
<b>Oven</b>	
D - Install depth	23 1/2"
E - Overall height with trim	50 1/4" to 51 15/16"
F - Overall width	28 1/2" to 28 5/8"



For answers to your Monogram, Café™, GE Profile™ or GE Appliances product questions, visit our website at [geappliances.com](http://geappliances.com) or call GE Answer Center® Service, 800.626.2000.



Specification Revised 9/24

# JTD5000DV/EV/SV

## GE® 30" Smart Built-In Self-Clean Convection Double Wall Oven with Never Scrub Racks

### Dimensions And Installation Information

**Note:** 30" Double electric wall ovens are approved for installation above 27" and 30" warming drawers.

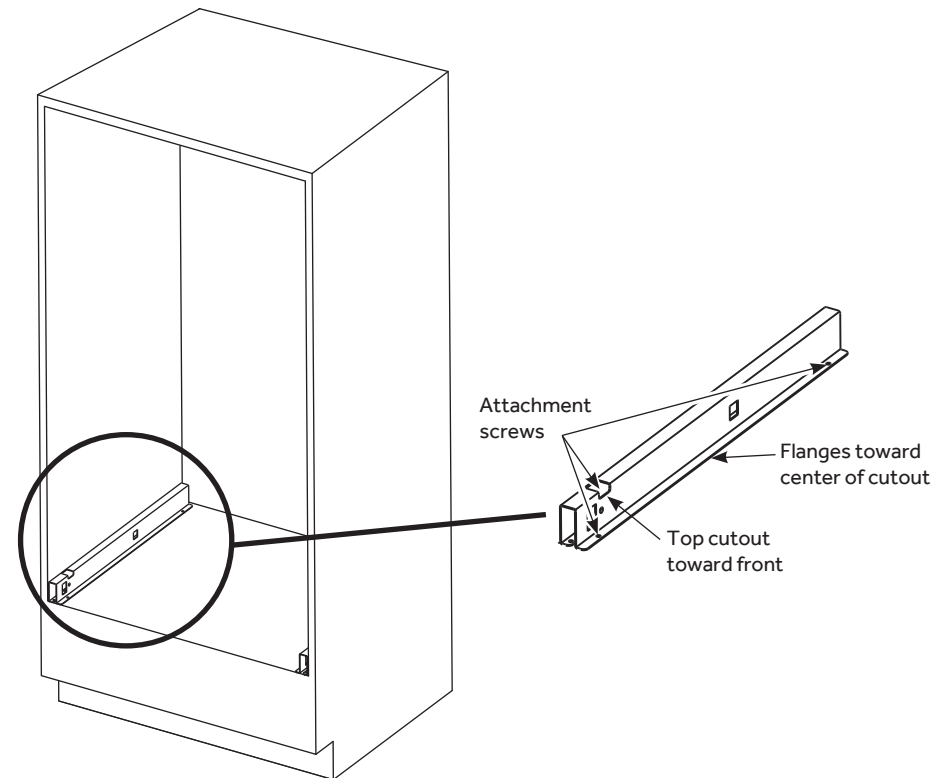
**Attention Installer:** Electric wall ovens are NOT approved for installation with a plug and receptacle. They must be hardwired into an approved junction box.

**Important:** Before installing, consult installation instructions packed with ALL products for current dimensional and combination data.

**When To Use The Pedestal Rails:** When replacing an older GE Appliances 30" double wall oven with a new GE Appliances model: Cutout Height = 51 13/16" to 51 15/16". This is our traditional cutout height.

**When Not To Use The Pedestal Rails:** When replacing a 30" double wall oven from another manufacturer (i.e., Whirlpool) with a new GE Appliances model: Cutout height = 50-1/4". You will need to verify that the existing cutout matches the 50-1/4" dimension.

If the new GE Appliances 30" double wall oven is being installed into new construction (i.e., not a replacement), then the recommended installation is to use the pedestal rails.



GE APPLIANCES

For answers to your Monogram, Café™, GE Profile™ or GE Appliances product questions, visit our website at [geappliances.com](http://geappliances.com) or call GE Answer Center® Service, 800.626.2000.

Specification Revised 9/24

# JTD5000DV/EV/SV

## GE® 30" Smart Built-In Self-Clean Convection Double Wall Oven with Never Scrub Racks

### Features And Benefits

**No Preheat Air Fry** – Cook healthier, crispier versions of your favorite foods in less time, thanks to an air fryer right in your oven that doesn't require preheating. Optional air fryer basket sold separately.

**True European Convection** – Achieve faster and more even results with a convection fan and third heating element that circulates air for more efficient cooking

**Anywhere Control with Remote Notifications** – Save time by conveniently preheating and monitoring your oven from anywhere using the GE Appliances Kitchen app

**Remote Temperature Probe** – Internal probe allows monitoring of roasts and meats to assure they are thoroughly and accurately cooked without opening the oven door

**Self-Clean with Optional Steam Clean** – Cleaning the oven interior has never been easier, with two cleaning options to fit your lifestyle

**Hidden Backlit LCD Control** – Easily read and operate a bright display that shows the clock when not in use and illuminates controls when you're ready to cook

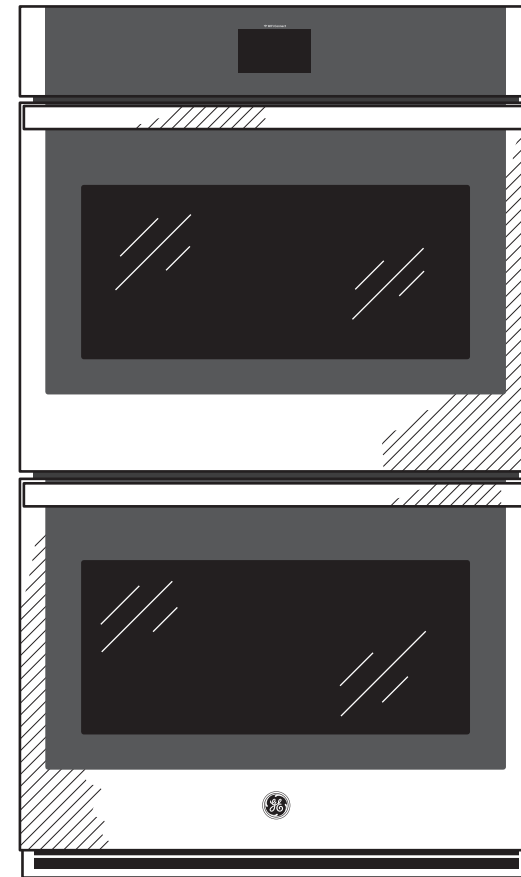
**10-Pass Hidden Bake Element** – Even baking and quick cleanup are assured, with 10-pass element that heats a large cooking area and is hidden for an easy-to-wipe surface

**8-Pass Broil Element** – Get full broil coverage and even browning from edge to edge

**Model JTD5000DVBB** – Black

**Model JTD5000EVES** – Slate

**Model JTD5000SVSS** – Stainless Steel



### Fit Guarantee

Replacing a similar wall oven from GE Appliances or another brand? GE wall ovens are guaranteed for an exact fit or GE Appliances will pay up to \$300 toward modifications.

Visit [geappliances.com](http://geappliances.com) for more info.

