



Gas Downdraft COOKTOP

SAFETY INFORMATION3

USING THE COOKTOP

Cooktop Features.....7

Surface Burners8

Using the Downdraft Vent System10

CARE AND CLEANING

Cleaning the Cooktop 11

INSTALLATION INSTRUCTIONS .. 15

Before You Begin.....16

Parts Included.....18

Installation Preparation.....19

Cooktop Installation23

TROUBLESHOOTING TIPS..... 31

LIMITED WARRANTY34

ACCESSORIES35

CONSUMER SUPPORT36

OWNER'S MANUAL AND INSTALLATION INSTRUCTIONS

PGP9830

ENGLISH/FRANÇAIS

Write the model and serial numbers here:

Model # _____

Serial # _____

Find these numbers on a label under the cooktop.

ESPAÑOL

Para consultar una version en español de este manual de instrucciones, visite nuestro sitio de internet GEAppliances.com.



THANK YOU FOR MAKING GE APPLIANCES A PART OF YOUR HOME.

Whether you grew up with GE Appliances, or this is your first, we're happy to have you in the family.

We take pride in the craftsmanship, innovation and design that goes into every GE Appliances product, and we think you will too. Among other things, registration of your appliance ensures that we can deliver important product information and warranty details when you need them.

Register your GE appliance now online. Helpful websites and phone numbers are available in the Consumer Support section of this Owner's Manual. You may also mail in the pre-printed registration card included in the packing material.



IMPORTANT SAFETY INFORMATION

READ ALL INSTRUCTIONS BEFORE USING THE APPLIANCE

▲ WARNING Read all safety instructions before using the product. Failure to follow these instructions may result in fire, electrical shock, serious injury or death.

▲ WARNING If the information in this manual is not followed exactly, a fire or explosion may result, causing property damage, personal injury or death.

- Do not store or use gasoline or other flammable vapors and liquids in the vicinity of this or any other appliance.
- **WHAT TO DO IF YOU SMELL GAS**
 - Do not try to light any appliance.
 - Do not touch any electrical switch; do not use any phone in your building.
 - Immediately call your gas supplier from a neighbor's phone. Follow the gas supplier's instructions.
 - If you cannot reach your gas supplier, call the fire department.
- Installation and service must be performed by a qualified installer, service agency or the gas supplier.

▲ WARNING

Never Operate the Top Surface Cooking Section of this Appliance Unattended.

- Failure to follow this warning statement could result in fire, explosion, or burn hazard that could cause property damage, personal injury, or death.
- If a fire should occur, keep away from the appliance and immediately call your fire department.

DO NOT ATTEMPT TO EXTINGUISH AN OIL/GREASE FIRE WITH WATER.

READ AND SAVE THESE INSTRUCTIONS

IMPORTANT SAFETY INFORMATION

READ ALL INSTRUCTIONS BEFORE USING THE APPLIANCE

▲WARNING GENERAL SAFETY INSTRUCTIONS

Have the installer show you the location of the cooktop gas shut-off valve and how to shut it off if necessary.

- Have your cooktop installed and properly grounded by a qualified installer, in accordance with the Installation Instructions. Any adjustment and service should be performed only by qualified gas cooktop installers or service technicians.
- Do not attempt to repair or replace any part of your cooktop unless it is specifically recommended in this manual. All other service should be referred to a qualified technician.
- Locate the cooktop out of kitchen traffic path and out of drafty locations to prevent poor burner performance.
- Plug your cooktop into a 120-volt grounded outlet only. Do not remove the round grounding prong from the plug. If in doubt about the grounding of the home electrical system, it is your personal responsibility and obligation to have an ungrounded outlet replaced with a properly grounded, three-prong outlet in accordance with the National Electrical Code. Do not use an extension cord with this appliance.
- Let the burner grates and other surfaces cool before touching them or leaving them where children can reach them.
- Be sure all packaging materials are removed from the cooktop before operating it to prevent fire or smoke damage should the packaging material ignite.
- Be sure your cooktop is correctly adjusted by a qualified service technician or installer for the type of gas (natural or LP) which is to be used. Your cooktop can be converted for use with either type of gas. See the Installation Instructions in the LP Conversion Kit.
- **▲WARNING** These adjustments must be made by a qualified service technician in accordance with the manufacturer's instructions and all codes and requirements of the authority having jurisdiction. Failure to follow these instructions could result in serious injury or property damage. The qualified agency performing this work assumes responsibility for the conversion.
- Do not leave children alone or unattended in an area where an appliance is in use. They should never be allowed to climb, sit or stand on any part of the appliance.
- Use this appliance only for its intended purpose as described in this Owner's Manual.
- **▲CAUTION** Do not store items of interest to children in cabinets above a range/rangetop — children climbing on the range to reach items could be seriously injured.
- **▲WARNING FIRE HAZARD:** Never leave the range unattended with the cooktop ON. Keep flammable items away from the cooktop. Turn off all controls when done cooking. Failure to follow these instructions can result in fire, serious injury or death.
- Always keep combustible wall coverings, curtains or drapes a safe distance from your cooktop.
- Do not place or store items that can melt or catch fire on the glass cooktop, even when it is not being used. Keep appliance area clear and free from combustible materials, gasoline, and other flammable vapors and liquids. If the cooktop is inadvertently turned on, they may ignite. Heat from the cooktop or oven vent after it is turned off may cause them to ignite also.
- Do not place metallic objects such as knives, forks, spoons, and lids on the cooktop surface since they can get hot.
- Do not obstruct the flow of combustion and ventilation air.
- Leak testing of the appliance shall be conducted according to the manufacturer's instructions.
- Never wear loose-fitting or hanging garments while using the appliance. Be careful when reaching for items stored in cabinets over the cooktop. Flammable material could be ignited if brought in contact with flame or hot surfaces and may cause severe burns.
- Do not attempt to lift the cooktop when connected to the gas supply. Doing so may damage the gas tubing to the surface burners resulting in a gas leak and risk of fire.
- Clean downdraft ventilation components frequently. Grease should not be allowed to accumulate on the vent grille, gasket, filter, or chamber.
- Use a deep fat thermometer whenever possible to monitor oil temperature. To avoid oil spillover and fire, use the minimum amount of oil when using a shallow pan-frying and avoid cooking frozen foods with excessive amounts of ice.

READ AND SAVE THESE INSTRUCTIONS

IMPORTANT SAFETY INFORMATION

READ ALL INSTRUCTIONS BEFORE USING THE APPLIANCE

▲WARNING GENERAL SAFETY INSTRUCTIONS

- Do not use water on grease fires. Never pick up a flaming pan. Turn the controls off. Smother a flaming pan on a surface unit by covering the pan completely with a well-fitting lid, cookie sheet or flat tray. Use a multi-purpose dry chemical or foam-type fire extinguisher.
Flaming grease outside a pan can be put out by covering it with baking soda or, if available, by using a multi-purpose dry chemical or foam-type fire extinguisher.
- **▲WARNING** To reduce the risk of fire, electrical shock or injury to persons, observe the following:
 - A. Use this unit only in the manner intended by the manufacturer. If you have questions, contact the manufacturer.
 - B. Before servicing or cleaning the unit, switch power off at service panel.
 - C. When cutting or drilling into wall or ceiling, do not damage electrical wiring and other hidden utilities.
 - D. Ducted fans must always be vented to the outdoors.
 - E. To reduce the risk of fire, use only metal ductwork.
 - F. Do not flame foods on the cooktop. If you do flame foods under the hood, turn the fan on.
 - G. Sufficient air is needed for proper combustion and exhausting of gases through the flue (chimney) of fuel burning equipment to prevent back drafting. Follow the heating equipment manufacturer's guidelines and safety standards, such as those published by the National Fire Protection Association (NFPA), the American Society for Heating, Refrigeration and Air Conditioning Engineers (ASHRAE) and the local code authorities. When applicable, install any make up (replacement) air system in accordance with local building code requirements. Visit GEAppliances.com for available makeup air solutions.

▲WARNING GLASS COOKTOP SURFACE

Use care when touching the glass cooktop surface. The glass surface of the cooktop will retain heat after the controls have been turned off.

- Avoid scratching the glass cooktop. The cooktop can be scratched with items such as knives, sharp instruments, rings or other jewelry, and rivets on clothing.
- Large scratches or impacts to glass cooktops can lead to broken or shattered glass.
- Do not operate the cooktop if the glass is broken. Spillovers or cleaning solution may penetrate a broken cooktop and create a risk of electrical shock. Contact a qualified technician immediately should your glass cooktop surface become broken.
- Never use the glass cooktop surface as a cutting board.
- Use only dry pot holders—moist or damp pot holders on hot surfaces may result in burns from steam. Do not let pot holders touch hot surface units or heating elements. Do not use a towel or other bulky cloth in place of pot holders.
- Clean the cooktop surface with caution. If a wet sponge or cloth is used to wipe spills on a hot surface, be careful to avoid steam burns. Some cleaners can produce noxious fumes if applied to a hot surface. **NOTE:** We recommend that you avoid wiping any surface unit areas until they have cooled and the indicator light has gone off. Sugar spills are the exception to this. Please see *Cleaning the Glass Cooktop* in the *Care and Cleaning* section.
- Use ceramic glass cooktop cleaner and a non-scratch cleaning pad to clean the cooktop. Read and follow all instructions and warnings on the cleaning cream label.
- To avoid possible damage to the cooking surface, do not apply cleaning cream to the glass surface when it is hot.
- After cleaning, use a dry cloth or paper towel to remove all cleaning cream residue.

READ AND SAVE THESE INSTRUCTIONS

IMPORTANT SAFETY INFORMATION

READ ALL INSTRUCTIONS BEFORE USING THE APPLIANCE

▲WARNING SURFACE BURNERS

Adjust the burner flame size so it does not extend beyond the edge of the cookware. Excessive flame is hazardous.

- Keep all plastics away from the surface burners.
- If you smell gas, turn off the gas to the cooktop and call a qualified service technician. Never use an open flame to locate a leak.
- To avoid the possibility of a burn, always be certain that the controls for all burners are at the off position and all grates are cool before attempting to remove them.
- To minimize the possibility of burns, ignition of flammable materials and spillage, the handle of a container should be turned toward the center of the cooktop without extending over nearby surface units.
- Never leave jars or cans of fat drippings on or near your cooktop.
- Do not use aluminum foil to cover the grates or line any part of the cooktop. Doing so may result in carbon monoxide poisoning, overheating of the cooktop surfaces, or a potential fire hazard.
- Do not cover or block the area around the cooktop knobs. This area must be kept clear for proper ventilation and burner performance.
- Clean only parts listed in this Owner's Manual.

▲WARNING COOK MEAT AND POULTRY THOROUGHLY

Cook food thoroughly to help protect against foodborne illness. Minimum safe food temperature recommendations can be found at IsItDoneYet.gov and fsis.usda.gov. Use a food thermometer to take food temperatures and check several locations.

▲WARNING CONVERTING TO LP GAS (or converting back to natural gas from LP)

This cooktop leaves the factory set for use with natural gas.

If you want to convert to LP gas, the conversion must be performed by a qualified LP gas installer.

The conversion instructions, conversion sticker and LP orifices can be found attached to the pressure regulator.

There is a second set of instructions under the cooktop inside the Cover Control containing the conversion instructions and product wiring diagrams. Keep these instructions and the natural gas orifices in case you want to convert back to natural gas.

How to Remove Protective Shipping Film and Packaging Tape

Carefully grasp a corner of the protective shipping film with your fingers and slowly peel it from the appliance surface. Do not use any sharp items to remove the film. Remove all of the film before using the appliance for the first time.

To assure no damage is done to the finish of the product, the safest way to remove the adhesive from

packaging tape on new appliances is an application of a household liquid dishwashing detergent. Apply with a soft cloth and allow to soak.

NOTE: The adhesive must be removed from all parts. It cannot be removed if it is baked on.

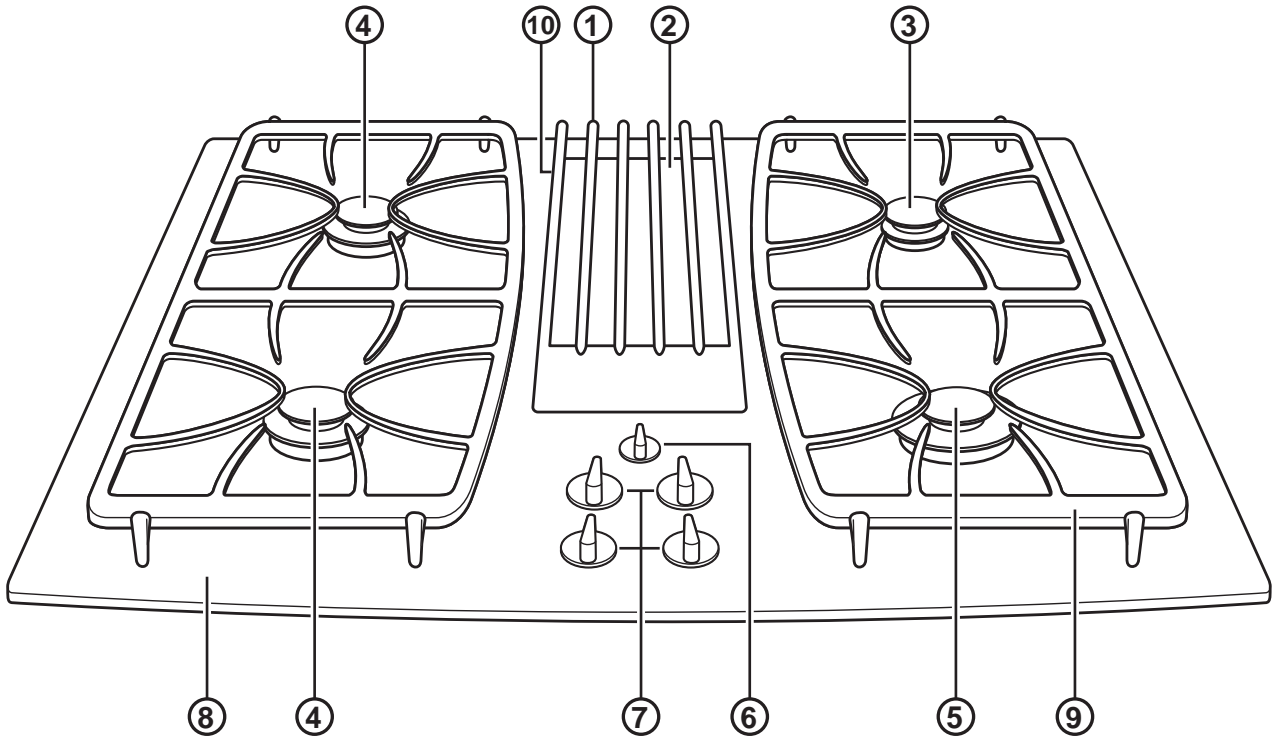
Consider recycling options for your appliance packaging material.

PROPER DISPOSAL OF YOUR APPLIANCE

Dispose of or recycle your appliance in accordance with Federal and Local Regulations. Contact your local authorities for the environmentally safe disposal or recycling of your appliance.

READ AND SAVE THESE INSTRUCTIONS

Cooktop Features



1. **Vent Grille:** See page 12
2. **Vent Filter (located under the vent grille):** See page 12
3. **Simmer Spillproof Burner:** See page 8 and 11
4. **Spillproof Burners:** See page 8 and 11
5. **High Power Spillproof Burner:** See page 8 and 11
6. **Vent Control:** See page 10
7. **Surface Burner Controls:** See page 8
8. **Glass Cooktop Surface:** See page 13
9. **Cast-Iron Burner Grates:** See page 12
10. **Vent Grille Gasket:** See page 12

Surface Burners

Throughout this manual, features and appearance may vary from your model.

How to Light a Gas Surface Burner

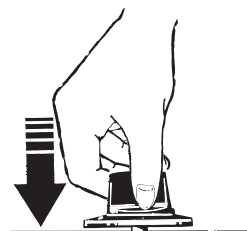
▲ WARNING Burners should be operated only when covered by cookware. Burner flames not covered by cookware present a risk of fire or clothing ignition. Never let flames extend beyond the sides of the cookware. Failure to comply may result in serious injury.

Push the control knob down and turn it to the **LITE** position.

You will hear a little **clicking** noise—the sound of the electric spark igniting the burner.

Turn the knob to adjust the flame size. If the knob stays at **LITE**, it will continue to click.

When one burner is turned to LITE, all the burners spark. Do not attempt to disassemble or clean around any burner while another burner is on. An electric shock may result, which could cause you to knock over hot cookware.



Push the control knob down and turn it to the LITE position.

If the burner has not been used recently, the flames may make an excessive noise. This is normal, and it should dissipate after 4 to 5 minutes.

Sealed Gas Burners

The smaller burner (right rear position) will give the best simmer results. It offers precise cooking performance for delicate foods, such as sauces or foods which need to cook over low heat for a long time. It can be turned down to a very low simmer setting.

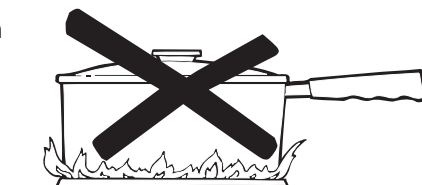
The other burners, particularly the right front position, are higher powered and will bring liquids to a boil quicker, especially with the use of a lid.

How to Select Flame Size

For safe handling of cookware, never let the flames extend up the sides of the cookware.

Watch the flame, not the knob, as you reduce heat. The flame size on a gas burner should match the cookware you are using.

Any flame larger than the bottom of the cookware is wasted and only serves to heat the handle.



In Case of Power Failure

In case of a power failure, you can light the gas surface burners on your cooktop with a match. Hold a lit match to the burner, then push in and turn the control knob to the **LITE** position. Use extreme caution when lighting burners this way.

Surface burners in use when an electrical power failure occurs will continue to operate normally.

IN CASE OF A POWER FAILURE, THE VENTILATION SYSTEM WILL NOT OPERATE.

Before Lighting a Gas Burner

- Make sure all burner heads, burner caps and grates are in their proper locations (see Burner Caps, Heads and Electrodes in the Cleaning the Cooktop section).

After Lighting a Gas Burner

- Do not operate the burner for an extended period of time without cookware on the grate. The finish on the grate may chip without cookware to absorb the heat.
- Be sure the burners and grates are cool before you place your hand, a pot holder, cleaning cloths or other materials on them.

Surface Burners

Wok This Way

We recommend that you use a flat-bottomed wok, available at your local retail store.

Only a flat-bottomed wok should be used. Do not use a flat-bottomed wok with a wok holder.

Do not use a flat-bottomed wok on a support ring. Placing the ring over the burner or grate may cause the burner to work improperly, resulting in carbon monoxide levels above allowable current standards. This could be dangerous to your health..



Use a flat-bottomed wok.



Cookware

Aluminum: Medium-weight cookware is recommended because it heats quickly and evenly. Most foods brown evenly in an aluminum skillet. Use saucepans with tight-fitting lids when cooking with minimum amounts of water.

Stainless Steel: This metal alone has poor heating properties and is usually combined with copper, aluminum or other metals for improved heat distribution. Combination metal skillets usually work satisfactorily if they are used with medium heat as the manufacturer recommends.

Cast-Iron: If heated slowly, most skillets will give satisfactory results.

Enamelware: Under some conditions, the enamel of some cookware may melt. Follow cookware manufacturer's recommendations for cooking methods.

Glass: There are two types of glass cookware—those for oven use only and those for top-of-range cooking (saucepans, coffee and teapots). Glass conducts heat very slowly.

Heatproof Glass Ceramic: Can be used for either surface or oven cooking. It conducts heat very slowly and cools very slowly. Check cookware manufacturer's directions to be sure it can be used on a gas cooktop.

Stove Top Grills

Do not use stove top grills on your sealed gas burners. If you use the stove top grill on the sealed gas burner it will cause incomplete combustion and can result in exposure to carbon monoxide levels above allowable current standards. This can be hazardous to your health.



Removing your Cookware from the Cooktop

When removing hot cookware from the burner, be sure to lift it high enough to not come in contact with your control knobs. Hot cookware coming into contact with the control knobs could cause damage, such as melting or warping.



Using The Downdraft Vent System

How to Operate the Downdraft Vent System

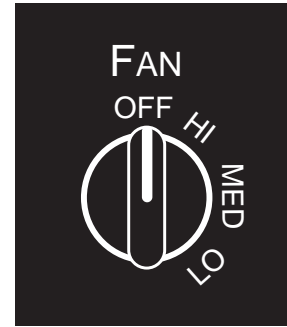
The built-in vent system helps remove cooking vapors, odors and smoke from foods prepared on the cooktop.

Turn the vent fan speed control knob to **HI**, **MED** or **LO**, as needed.

Continuous use of the vent system while cooking helps keep the kitchen comfortable and less humid, reducing cooking odors and soiling moisture that normally creates a frequent need for cleaning.

The appearance of the burner flames may be affected when the vent fan is operating. At the high fan speed setting, it is normal for the nearby burner flames to be drawn toward the vent grille. If cooking performance is affected, use a lower fan speed setting.

IN CASE OF A POWER FAILURE, THE VENTILATION SYSTEM WILL NOT OPERATE.



Cleaning the Cooktop

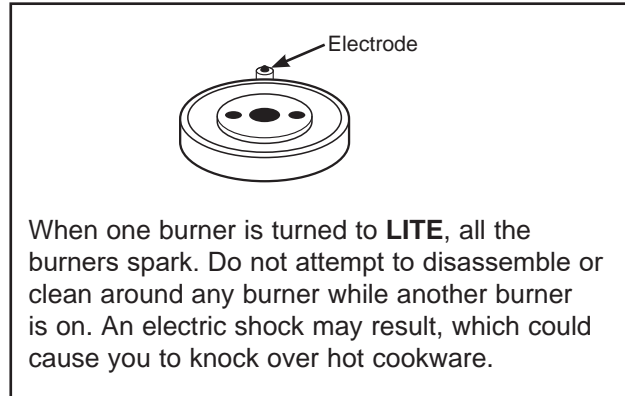
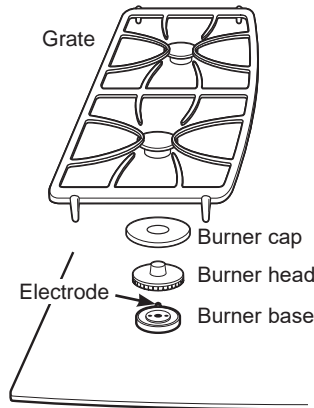
Be sure electrical power is off and all surfaces are cool before cleaning any part of the cooktop.

Sealed Burner Assemblies

Turn all controls **OFF** before removing the burner parts.

The burner grates, caps and burner heads can be lifted off, making them easy to clean.

CAUTION Do not operate the burner without all burner parts in place.



Burner Caps, Heads and Electrodes

Burner Caps

Lift off when cool. To clean the burner caps, wash in hot, soapy water and rinse with clean water. You may scour with a plastic scouring pad to remove burned-on food particles.

Burner Heads

The slits in the burner heads of your cooktop must be kept clean at all times for an even, unhampered flame. You should clean the surface burners routinely, especially after bad spillovers, which could clog these openings. Lift off when cool.

To clean the burner heads, wash in hot, soapy water and rinse with clean water.

To remove burned-on food, soak the burner heads in a solution of mild liquid detergent and hot water for 20–30 minutes. For more stubborn stains, use a toothbrush. Use a small sewing needle or paper clip to remove any clogs in the slits.

Electrodes

This small metal rod produces the spark and must be kept clean and dry to properly ignite the gas.

To clean the electrodes, use a dry paper towel or scrub pad.

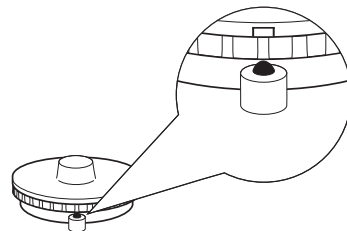
After Cleaning

Before putting the burner caps and heads back, shake out excess water and then dry them thoroughly by setting in a warm oven for 30 minutes. Check to make sure the electrodes remain seated down in burner head.

Replacement

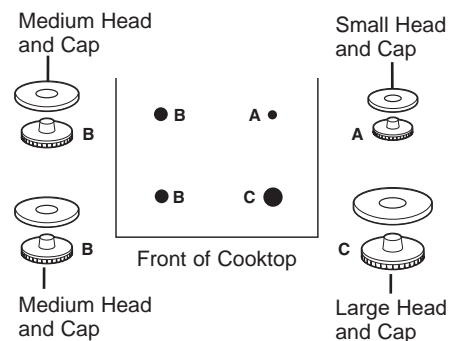
The burner heads and burner bases are labeled A, B and C to aid reassembly.

Replace the burner heads on the bases matching the letters. Replace the caps on the heads. Make sure that the caps and heads are replaced in the correct location. There is one small (A), two medium (B) and one large (C) head and cap. If the caps or heads are not replaced in the correct locations, burners may not ignite or perform properly.



After cleaning, make sure the notch in the burner head is positioned toward the electrode. Rotate the burner head around the burner base until it is level and securely seated.

NOTE: Before removing the burner caps and heads, remember their size and location. Replace them in the same location after cleaning. The burner heads and burner bases are labeled A, B and C to aid reassembly.



Cleaning the Cooktop

Burner Grates, Vent Grille and Gasket

Lift off when cool. Grates, grille and gasket should be washed regularly and after spills.

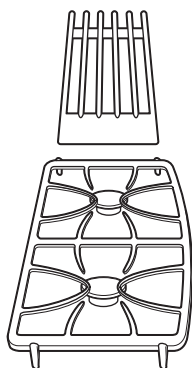
To clean, wash them in hot, soapy water and rinse with clean water.

Discoloration on the grates may also be removed by using the provided cooktop cleaning cream. Apply a drop or two on a damp cloth and rub across the discolored area. Rinse and dry. After cleaning, replace the burner grates and make sure they are positioned securely over the burners.

To remove burned-on food, use a soap-filled scouring pad.

Although they are durable, the grates will gradually lose their shine, regardless of the best care you can give them. This is due to their continual exposure to high temperatures.

Do not operate a burner for an extended period of time without cookware on the burner grate. The finish on the grate may chip without cookware to absorb the heat.



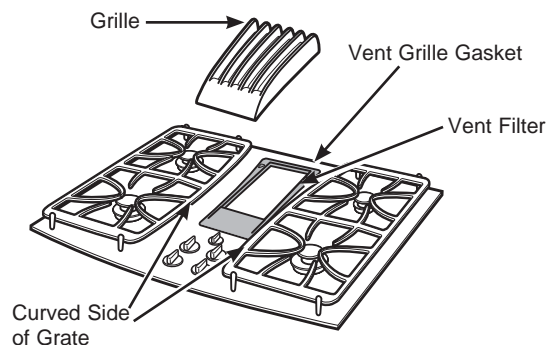
Appearance may vary.

The grate legs have four rubber feet. To order replacement rubber grate feet, see the Accessories and Consumer Support sections.

Replacement

Before replacing the vent grille, make sure the grille gasket is properly installed around the downdraft vent opening, with the word "FRONT" toward the knobs. Replace the vent grille carefully over the gasket.

When replacing the grates, make sure the curved sides of the grates are toward the center.



NOTE: Do not clean the grates, grille or grille gasket in a self-cleaning oven.

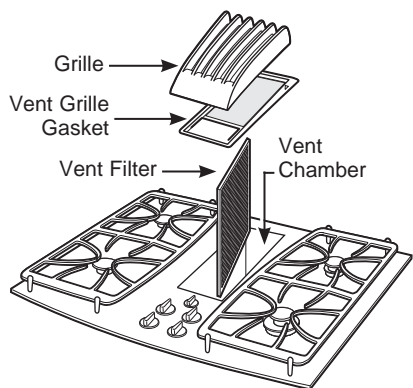
The grates, grille and grille gasket may be cleaned in a dishwasher.

Vent Filter and Chamber

Remove the vent grille and vent grille gasket. The filter is held in place at an angle with a hold bump. Lift the filter up and out of the vent opening diagonally.

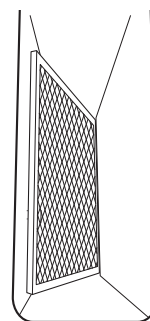
To clean the filter, swish it in hot, soapy water. Rinse well with clean water and dry thoroughly.

Do not operate the vent without the filter in place.



Remove and replace the filter diagonally through the vent opening.

To order replacement filters, see the Accessories and Consumer Support sections.



When replacing the filter, make sure it rests, at an angle, on the supports in the vent opening.

To clean the vent chamber, use hot, soapy water. Rinse with clean water and dry thoroughly. Do not use abrasive cleaners; they will damage the finish.

Replacement

Replace the filter after it is cleaned and dry. Replace the vent grille gasket by forming it around the vent opening and make sure the word "FRONT" is toward the knobs. Replace the grille.

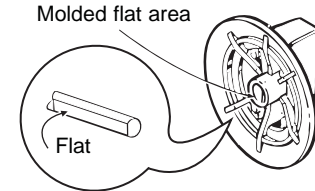
Cleaning the Cooktop (Cont.)

Control Knobs

The control knobs may be removed for easier cleaning. Make sure the knobs are in the **OFF** positions and pull them straight off the stems for cleaning.

To clean the knobs, place them in a dishwasher or wash with soap and water. Rinse with clean water. Make sure the insides of the knobs are dry before replacing.

Replace the knobs in the **OFF** position to ensure proper placement.



The control knobs may be removed for easier cleaning.

Stainless Steel Surfaces (on some models)

Do not use a steel wool pad; it will scratch the surface. To clean the stainless steel surface, use warm sudsy water or a stainless steel cleaner or polish. Always wipe the surface in the direction of the grain. Follow the cleaner instructions for cleaning the stainless steel surface.

To inquire about purchasing cleaning products including stainless steel appliance cleaner or polish, see the Accessories and Consumer Support sections.

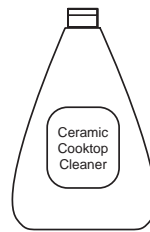
Glass Cooktop

To maintain and protect the surface of your glass cooktop, follow these steps:

1. Before using the cooktop for the first time, clean it with a ceramic glass cooktop cleaner. This helps protect the top and makes cleanup easier.
2. Regular use of a ceramic glass cooktop cleaner will help keep the cooktop looking new.
3. Shake the cleaning cream well. Apply a few drops of a ceramic glass cooktop cleaner directly to the cooktop.
4. Use a paper towel or a non-scratch cleaning pad for ceramic glass cooktops to clean the entire cooktop surface.

5. Use a dry cloth or paper towel to remove all cleaning residue. No need to rinse.

NOTE: It is very important that you **DO NOT** heat the cooktop until it has been cleaned thoroughly.



Clean your cooktop after each spill. Use a ceramic glass cooktop cleaner.



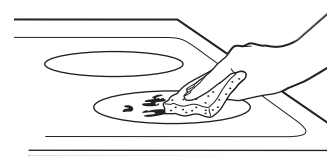
For cleaning videos and instructions, scan the QR code with your device.

Burned-On Residue

NOTE: DAMAGE to your glass surface may occur if you use scrub pads other than those recommended.

1. Allow the cooktop to cool.
2. Spread a few drops of a ceramic glass cooktop cleaner on the entire burned residue area.
3. Using a non-scratch cleaning pad for ceramic glass cooktops, rub the residue area, applying pressure as needed.
4. If any residue remains, repeat the steps listed above as needed.

5. For additional protection, after all residue has been removed, polish the entire surface with a ceramic cooktop cleaner and a paper towel.

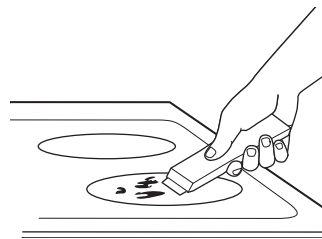


Use a non-scratch cleaning pad for ceramic glass cooktops.

Cleaning the Cooktop

Heavy, Burned-On Residue

1. Allow the cooktop to cool.
2. Use a single-edge razor blade scraper at approximately a 45° angle against the glass surface and scrape the soil. It will be necessary to apply pressure to the razor scraper in order to remove the residue.
3. After scraping with the razor scraper, spread a few drops of a ceramic glass cooktop cleaner on the entire burned residue area. Use a non-scratch cleaning pad to remove any remaining residue.
4. For additional protection, after all residue has been removed, polish the entire surface with a ceramic glass cooktop cleaner and a paper towel.



The ceramic glass cooktop scraper and all recommended supplies are available through our Parts Center. See Accessories and Consumer Support sections.

NOTE: Do not use a dull or nicked blade.

Metal Marks and Scratches

1. Be careful not to slide pots and pans across your cooktop. It will leave metal markings on the cooktop surface.

These marks are removable using a ceramic cooktop cleaner with a non-scratch cleaning pad for ceramic cooktops.

2. If pots with a thin overlay of aluminum or copper are allowed to boil dry, the overlay may leave black discoloration on the cooktop.

This should be removed immediately before heating again or the discoloration may be permanent.

NOTE: Carefully check the bottom of pans for roughness that would scratch the cooktop.

3. Be careful not to place aluminum baking sheets or aluminum frozen entrée containers on a hot cooktop surface. It will leave shiny dots or markings on the cooktop surface. These markings are permanent and cannot be cleaned off.

Damage from Sugary Spills and Melted Plastic

Special care should be taken when removing hot substances **to avoid permanent damage of the glass surface**. Sugary spillovers (such as jellies, fudge, candy, syrups) or melted plastics can cause pitting of the surface of your cooktop (not covered by the warranty) unless the spill is removed while still hot. Special care should be taken when removing hot substances.

Be sure to use a new, sharp razor scraper.

Do not use a dull or nicked blade.

1. Turn off all surface units. Remove hot pans.
2. Wearing an oven mitt:
 - a. Use a single-edge razor blade scraper to move the spill to a cool area on the cooktop.
 - b. Remove the spill with paper towels.

3. Any remaining spillover should be left until the surface of the cooktop has cooled.

4. Don't use the surface units again until all of the residue has been completely removed.

NOTE: If pitting or indentation in the glass surface has already occurred, the cooktop glass will have to be replaced. In this case, service will be necessary.

Installation Instructions

Gas Downdraft Cooktop

PGP9830

? If you have questions, call 800.GE.CARES or visit our website at: GEAppliances.com.

IN THE COMMONWEALTH OF MASSACHUSETTS:

- This product must be installed by a licensed plumber or gas fitter.
- When using ball-type gas shut-off valves, they shall be the T-handle type.
- A flexible gas connector, when used, must not exceed 3 feet.

▲ WARNING FIRE OR EXPLOSION HAZARD

If the information in these instructions is not followed exactly, a fire or explosion may result causing property damage, personal injury or death.

Installation must be performed by a qualified installer.

Read these instructions completely and carefully.

Installation of this product must conform with local codes, or in the absence of local codes, with the National Fuel Gas Code, ANSI Z223.1/NFPA 54, latest edition. In Canada, installation must conform with the current Natural Gas and Propane Installation Code, CSA B149.1, and with local codes where applicable. This product has been design-certified by UL according to ANSI Z21.1/CSA 1.1, latest edition.

When installing a gas appliance, the use of old flexible connectors can cause gas leaks and personal injury. Always use a NEW flexible connector.

Leak testing of the appliance shall be conducted according to the manufacturer instructions.

Do not install this product with an air curtain hood or other cooktop hood that operates by blowing air down on the cooktop. This airflow may interfere with operation of the gas burners resulting in fire or explosion hazard.

▲ WARNING

Before beginning the installation, switch power off at the service panel and lock the service disconnecting means to prevent power from being switched on accidentally. When the service disconnecting means cannot be locked, securely fasten a prominent warning device, such as a tag, to the service panel.

▲ WARNING

To reduce the risk of fire, use only metal ductwork.

FOR YOUR SAFETY

If You Smell Gas:

1. Open windows.
2. Don't touch any electrical switches.
3. Extinguish any open flame.
4. Immediately call your gas supplier.

Do not store or use gasoline or other flammable vapors and liquids in the vicinity of this or any other appliance.

Installation Instructions

BEFORE YOU BEGIN

Read these instructions completely and carefully.

- **IMPORTANT** — Save these instructions for local inspector's use.
- **IMPORTANT** — Observe all governing codes and ordinances.
- **IMPORTANT** — Remove all packing and material and literature before connecting gas and electrical supply to cooktop.
- **IMPORTANT** — To avoid damage to your cabinets, check with your builder or cabinet supplier to make sure that the materials used will not discolor, delaminate or sustain other damage. This product has been designed in accordance with the requirements of UL and CSA International and complies with the maximum allowable wood cabinet temperatures of 194°F (90°C).
- **Note to Installer** – Be sure to leave these instructions with the Consumer.
- **Note to Consumer** – Keep these instructions for future reference.
- **Servicer** – The electrical diagram is located inside the cooktop.
- Proper installation is the responsibility of the installer.
- Product failure due to improper installation is not covered under the Warranty.

Mobile Homes - Additional Installation Requirements

The installation of this product must conform to the Manufactured Home Construction and Safety Standard, Title 24 CFR, Part 3280 (formerly the Federal Standard for Mobile Home Construction and Safety, Title 24, HUD Part 280). When such standard is not applicable, use the Standard for Manufactured Home Installations, ANSI A225.1/ NFPA 501A or with local codes.

In Canada, the installation of this product must conform with the current standards CAN/CSA-A240-latest edition, or with local codes.

When this cooktop is installed in a mobile home, it must be secured during transit. Any method of securing the cooktop is adequate as long as it conforms to the standards listed above.

Recreational Park Trailers - Additional Installation Requirements

The installation of this product must conform with state and local codes, or in the absence of such codes, with the Standard for Recreational Park Trailers, ANSI A119.5.

TOOLS YOU WILL NEED

- Safety Glasses
- Saw
- Pencil
- Measuring tape or scale
- Carpenter's square
- Pipe wrench
- Adjustable wrench or socket set (7/16" socket and ratchet)
- Drill and drill bit
- 1/4" nut driver
- Flat blade screwdriver

MATERIALS YOU MAY NEED

- Duct tape
- Sheet metal screws
- Ductwork to suit the application
- Gas line manual shut-off valve
- Pipe joint sealant or UL-approved pipe thread tape with Teflon® that resists action of natural and propane gases
- Flexible metal appliance connector (1/2" or 3/4" I.D.) where local codes permit. A 5-foot length is recommended for ease of installation but other lengths are acceptable. Never use an old connector when installing a new cooktop.
- Flare union adapter for connection to gas supply line (3/4" or 1/2" NPT x 1/2" I.D.)
- Flare union adapter for connection to pressure regulator on cooktop (1/2" NPT x 1/2" I.D.)
- Liquid leak detector or soapy water.

HIGH ALTITUDE ORIFICE CONVERSION KIT

Use for cooktop operation at elevations above 5000 ft. (1500m).

Specify kit for Natural Gas or LP Gas when ordering:

- Natural Gas High Altitude Orifice Conversion Kit WB28X10114
- LP High Altitude Orifice Conversion Kit WB28X10115

To order, please visit our website at geappliances.com/parts or call our toll-free number:

National Parts Center 800.626.2002

CUTTING THE COUNTERTOP

If you are installing the cooktop in a solid surface material such as granite, quartz or any other natural or synthetic solid surface, we recommend that the cutout be prepared by a professional cabinet or countertop installer.

Cooktop cutouts in wood or wood-laminate countertops may be able to be prepared using a saber saw and electric drill.

Installation Instructions

IMPORTANT SAFETY INSTRUCTIONS

The cooktop has been design certified by Underwriters Laboratories (UL). As with any appliance using gas and generating heat, there are certain safety precautions you should follow.

- Be sure your cooktop is installed properly by a qualified installer or service technician.
- The cooktop must be electrically grounded in accordance with local codes, or in their absence, with the National Electrical Code ANSI/NFPA No. 70 or the Canadian Electric Code, CSA C22.1-02.
- Improper installation, adjustment, alteration, service or maintenance can cause injury or property damage. Refer to this manual. For assistance or additional information, consult a qualified installer, service agency, manufacturer (dealer) or the gas supplier.
- Disconnect electrical supply before servicing.
- Never reuse old flexible connectors. The use of old flexible connectors can cause gas leaks and personal injury. Always use **NEW** flexible connectors when installing a gas appliance.
- Make sure the wall coverings around the cooktop can withstand heat generated by the cooktop up to 200°F.
- Avoid placing cabinets above the cooktop.
- If cabinets are placed above the cooktop, allow a minimum clearance of 30" between the cooking surface and the bottom of unprotected cabinets.
- If cabinets are placed above the cooktop, use cabinets no more than 13" deep.
- If a 30" clearance between cooking surface and overhead combustible material or metal cabinets cannot be maintained, protect the underside of the cabinets above the cooktop with not less than 1/4" insulating millboard or gypsum board at least 3/16" thick covered with 28 gauge sheet steel or 0.020" thick copper.
- Clearance between the cooking surface and protected cabinets **MUST NEVER BE LESS THAN 24"** The vertical distance from the plane of the cooking surface to the bottom of adjacent overhead cabinets extending closer than 1" to the plane of the cooktop sides must not be less than 18".

EXHAUST BLOWER RATINGS

▲ WARNING EXHAUST BLOWER SAFETY WARNING

Sufficient air is needed for proper combustion and exhausting of gases through the flue (chimney) of fuel burning equipment to prevent back drafting. Follow the heating equipment manufacturer's guide lines and safety standards, such as those published by the National Fire Protection Association (NFPA), the American Society for Heating, Refrigeration and Air Conditioning (ASHRAE) and the local code authorities. When applicable, install any make up (replacement) air system in accordance with local building code requirements. Visit GEAppliances.com for available makeup air solutions.

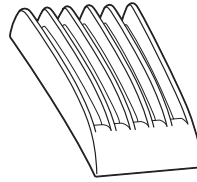
Installation Instructions

PARTS INCLUDED

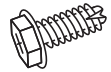
Check to be sure that all packing materials and tape have been removed. This will include tape on control knobs (if applicable), adhesive tape, wire ties, cardboard and protective plastic. Failure to remove these materials could result in damage to the appliance once the appliance has been turned on and surfaces have heated.



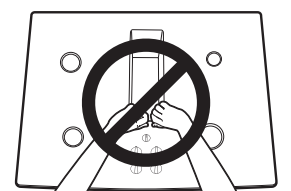
Cleaning Cream



Vent Grille



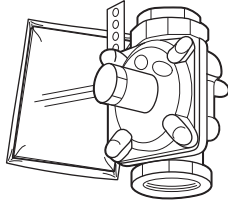
Sheet Metal Screws (9)
(8-18 x 3/8")



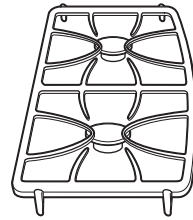
CAUTION

DO NOT LIFT FROM VENT OPENING OR BUMP GLASS

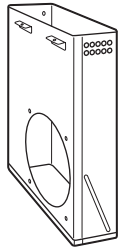
CAUTION
GLASS IS FRAGILE
DO NOT BUMP EDGE OF GLASS DURING INSTALLATION



Regulator

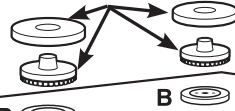


Burner Grate (2)



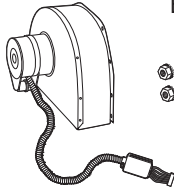
Blower Plenum

Burner Caps and Burner Heads

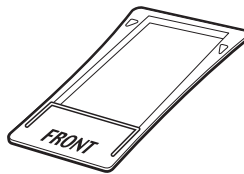


Burner Cap and Burner Head

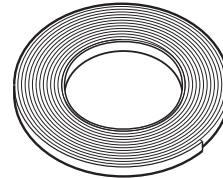
Burner Cap and Burner Head



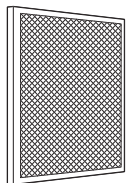
Blower Assembly and (4) Mounting Nuts (10-32 keps – nuts with lock washers attached)



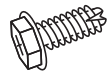
Vent Grille Gasket



Foam Gasket Tape



Vent Filter



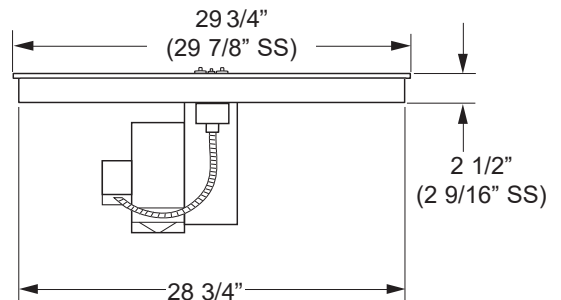
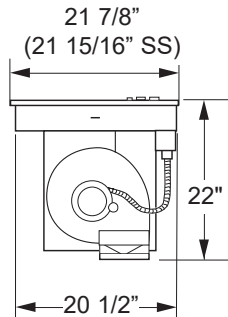
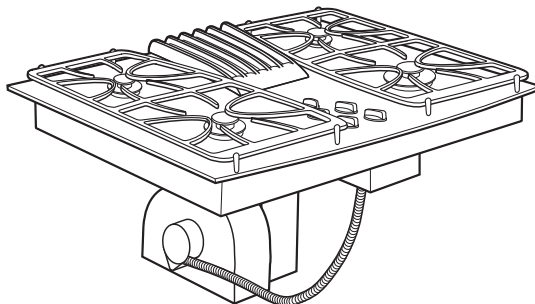
Sheet Metal Screws (2)
(10-16 x 1/2")



Hold Down Brackets (2)

30" COOKTOP (DIMENSIONS FOR REFERENCE ONLY)

Unit shown fully assembled.



Unit must be vented to the outside!

Installation Instructions

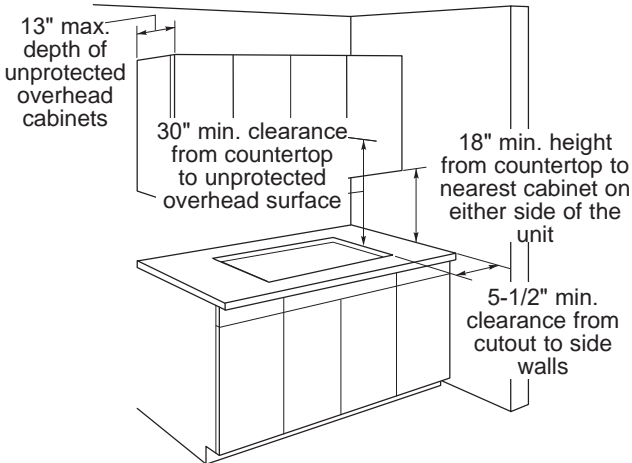
INSTALLATION PREPARATION

1. PREPARING FOR INSTALLATION

Positioning the cooktop

The cooktop is designed to look best when centered in a cabinet at least 30" wide.

The exhaust vent beneath the cooktop must be located between wall studs or floor joists so that the ductwork may be installed properly.



The downdraft system with blower, motor and ductwork will occupy the cabinet below the cooktop. Drawers cannot be installed below this cooktop.

Avoid placing cabinets above the cooktop unit, if possible, in order to reduce the hazards caused by reaching over heated surface units.

If the cabinetry is used above the cooktop, allow a minimum 30" clearance between the cooking surface and the bottom of the unprotected cabinet.

If the clearance between the cooktop and the cabinetry is less than 30", the cabinet bottom must be protected with a flame retardant millboard at least 1/4" thick, or gypsum board at least 3/16" thick, covered with 28 gauge sheet steel or 0.020" thick copper. Clearance between the cooktop and the protected cabinetry **MUST NEVER BE LESS THAN 24"**.

EXCEPTION: Installation of a listed microwave oven or cooking appliance over the cooktop shall conform to the installation instructions packed with that appliance.

Working areas adjacent to the cooktop should have an 18" minimum clearance between the countertop and the bottom of the cabinet. If the clearance is less than 18", the adjacent cabinets should be at least 5" from the side edge of the cooktop

2. PREPARING THE BASE CABINET

This cooktop is designed to fit easily into a variety of cabinets. However, the combined installation of a downdraft vent and a cooktop require careful consideration.

Some cabinets may require modifications.

This installation requires a 24" min. deep cabinet base.

The cabinet must be at least 30" wide.

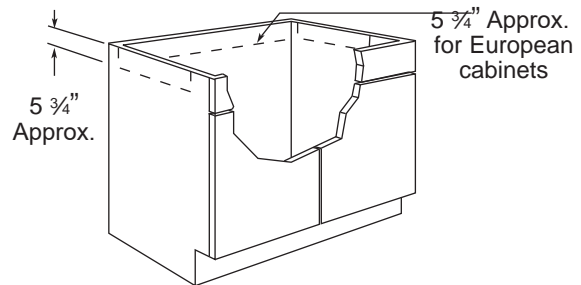
Preparing a cabinet that is against a wall

In some cabinets, the sides may need to be scooped or cut down 5 3/4" as shown, and the corner braces removed in order to accommodate the unit.

In 75 cm and 90 cm frameless European cabinets, the back panel may need to be cut down 5 3/4" to accommodate the unit.

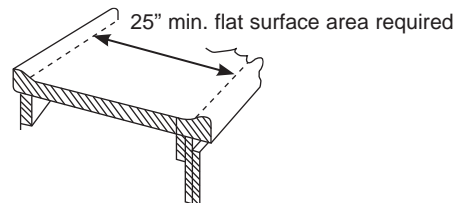
Preparing a peninsula or island-type cabinet

In a peninsula or island type cabinet, the sides may need to be scooped or cut down, and the corner braces removed in order to accommodate the unit.



3. PREPARING THE COUNTERTOP

The countertop must have a deep flat surface to accommodate the cooktop and the vent. Countertops with a rolled front edge and backsplash may not provide the flat surface area required.



A 1/2" wide flat area is required around the edge of opening for support of the unit. The cooktop unit must be level and sit squarely into countertop opening.

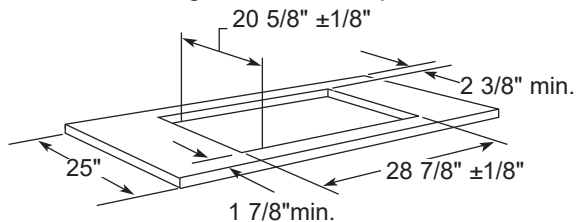
Installation Instructions

INSTALLATION PREPARATION (Cont.)

3. PREPARING THE COUNTERTOP (Cont.)

Carefully cut countertop opening according to the dimensions shown in the illustration. Be sure that opening is cut squarely, with sides parallel to each other and rear exactly perpendicular to sides.

For island installation, maintain 1 7/8" minimum from cutout to front edge; 2 3/8" minimum from cutout to back edge; and 5 1/2" minimum from cutout to side edges of countertop.

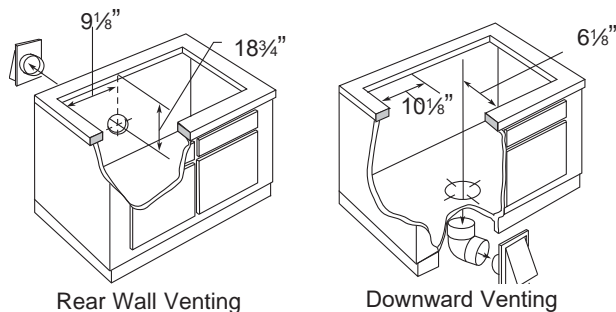


4. PREPARING FOR DUCTWORK

NOTE: Ductwork **MUST** be vented to outside. **DO NOT** vent into a wall, ceiling, crawlspace, attic or any concealed space.

Cut hole in cabinet wall or floor as appropriate for your installation. Make sure exhaust duct is located between wall studs or floor joists.

NOTE: When cutting or drilling into wall or ceiling, do not damage electrical wiring and other hidden utilities. Make sure that any opening/cutout in the wall behind the appliance and in the floor under the appliance are sealed properly.

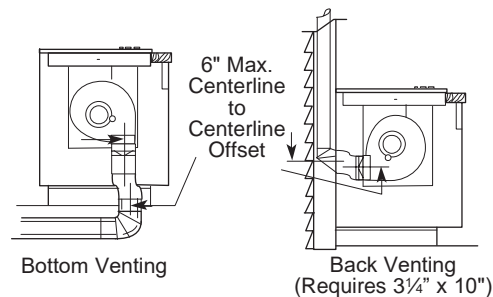


5. BLOWER TO DUCTWORK ALIGNMENT

In general, the use of flexible ducting is discouraged because it can cause severely restricted airflow. However, if the blower outlet and the floor or wall duct location do **NOT** align well, then flexible **METAL** ducting can be used to adapt to an offset. Good alignment without use of flexible ducting is best.

NOTE:

- Do not exceed the maximum recommended offset of 6".
- Do not allow the flexible ducting to kink or collapse.
- Do stretch the flexible ducting as much as possible to eliminate as much of the corrugation as possible.



A 3 1/4" x 10" rectangle to 6" round transition duct is available at your local building supply store.

NOTE: Illustrations are for planning purposes only.

Installation Instructions

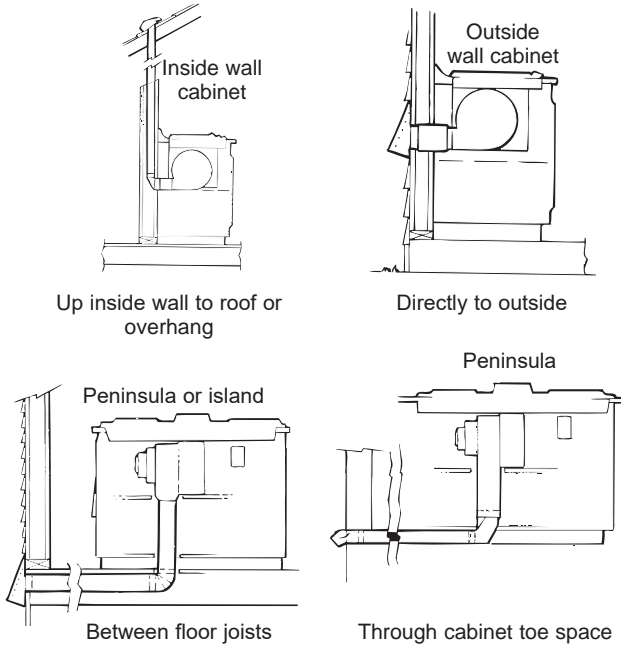
INSTALLATION PREPARATION (Cont.)

6. PREPARE FOR DUCTWORK

Determine the best route for ductwork; it can be routed in a variety of ways depending on the kitchen layout.

IMPORTANT: The downdraft air discharge outlet for this unit is 3 1/4" x 10" rectangular. Plan ducting accordingly.

Typical duct arrangement countertop series.

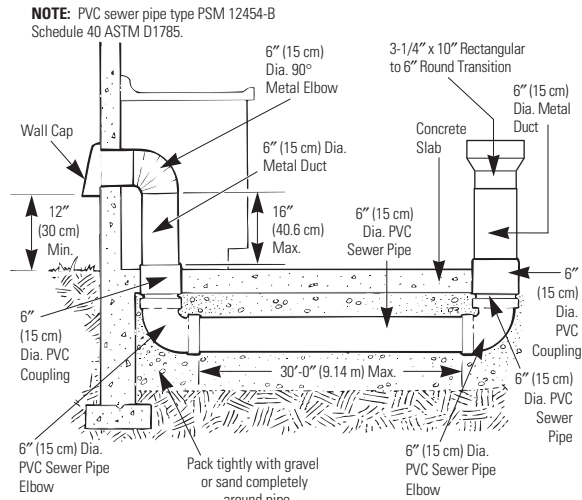


To maximize the ventilation performance of the vent system:

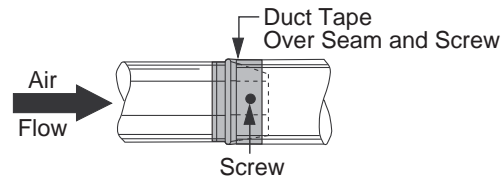
1. Minimize the duct run length and number of transitions and elbows.
2. Maintain a constant duct size.
3. Seal all joints with duct tape to prevent any leaks.
4. Do not use any type of flexible ducting.

If needed, install any make up (replacement) air system in accordance with local building code requirements. Visit GEAppliances.com for available makeup air solutions.

- Optional duct arrangement under concrete slab. PVC duct should be used if installing under a poured concrete slab.



- Install ductwork so the piece of duct nearest the downdraft unit slots INTO the next piece of the duct. Secure the joints with self-tapping screws and apply duct tape around the joints to ensure an airtight seal.



Installation Instructions

INSTALLATION PREPARATION (Cont.)

7. GAS SUPPLY

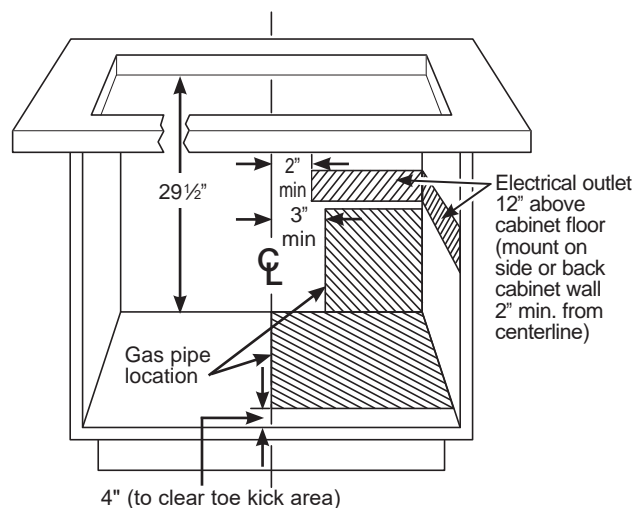
These cooktops are designed to operate on natural gas at 4" of water column pressure or on LP gas at 10" of water column pressure.

- These cooktops are shipped from the factory set for natural gas. If you decide to use this cooktop with LP gas, conversion adjustments must be made by a service technician or other qualified person.
- The pressure regulator must be connected in series with the manifold of the cooktop and must remain in series with the supply line regardless of type of gas being used.
- For proper operation, the maximum inlet pressure to the regulator must be no more than 10" water column pressure for natural gas and 14" water column pressure for LP gas.
- When checking the regulator, the inlet pressure must be at least 1" greater than the regulator output setting. If the regulator is set for 4" of water column pressure, the inlet pressure must be at least 5". If the regulator is set for 10" of water column pressure, the inlet pressure must be at least 11". For ease of installation, and if local codes permit, the gas supply line into the cooktop should be 1/2" or 3/4" ID flexible metal appliance connector, three to five feet long.
- If you are not sure about the inlet pressure, contact local gas supplier.

NOTE: Purchase a new flexible line. DO NOT USE AN OLD PREVIOUSLY USED LINE.

- Make gas connection through rear wall, or on cabinet floor at rear, as illustrated.

8. ELECTRICAL SUPPLY



The built-in gas downdraft cooktop features pilotless electric ignition for energy savings and reliability. It operates on a 120-volt, 60-Hz power supply. A separate circuit, protected by a 15-amp time-delay fuse or circuit breaker, is required.

- A properly grounded 3-prong receptacle should be located within reach of cooktop's four foot power cord.

IMPORTANT: (Please read carefully.) FOR PERSONAL SAFETY, THIS APPLIANCE MUST BE PROPERLY GROUNDED.

The power cord of this appliance is equipped with a three-prong (grounding) plug which mates with a standard three-prong grounding wall receptacle to minimize the possibility of electric shock hazard from this appliance. The customer should have the wall receptacle and circuit checked by a qualified electrician to make sure the receptacle is properly grounded and has correct polarity.

Where a standard two-prong wall receptacle is encountered, it is the personal responsibility and obligation of the customer to have it replaced with a properly grounded three-prong wall receptacle.

Do Not, Under Any Circumstances, Cut Or Remove The Third (ground) Prong From The Power Cord.

Do not use an extension cord.

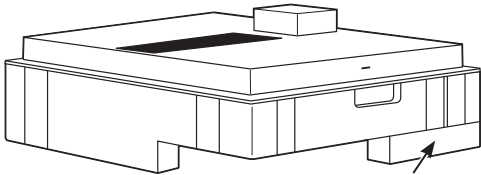
Installation Instructions

COOKTOP INSTALLATION

9. INSTALLING THE FOAM GASKET

Do not install the cooktop into the countertop without installing the foam gasket as shown. It protects the bottom edge of the glass from the countertop and seals the cooktop against spills.

Remove the cooktop along with its shipping pad from the shipping box. Remove the shipping block from the downdraft vent opening and place it under the shipping pad to provide level support.



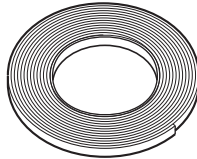
Center vent shipping block – place under the shipping pad to provide level support

CAUTION GLASS IS FRAGILE. DO NOT BUMP EDGE OF GLASS DURING INSTALLATION.

Locate the foam gasket tape included with your cooktop.

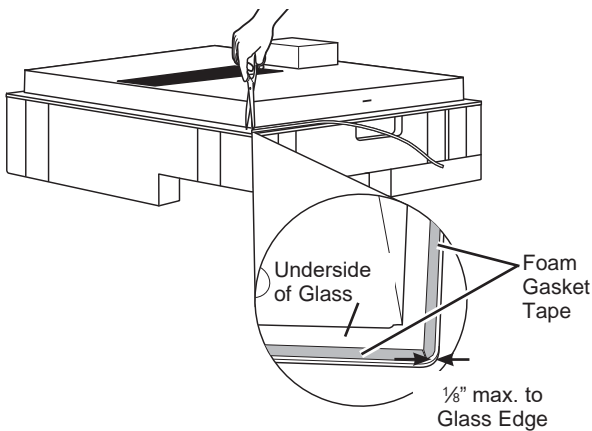
Smooth rough edges of the cutout.

Peel off the white backing to install the foam gasket tape on the bottom side of the cooktop glass.



Foam Gasket Installation Notes:

- The foam gasket tape should be installed within 1/8" of the edge of the glass. Do not stretch or twist the foam gasket tape.



CAUTION Failure to install foam gasket tape greatly increases the potential of breaking the cooktop glass when installing, especially in Corian® or granite countertops.

9. INSTALLING THE FOAM GASKET (Cont.)

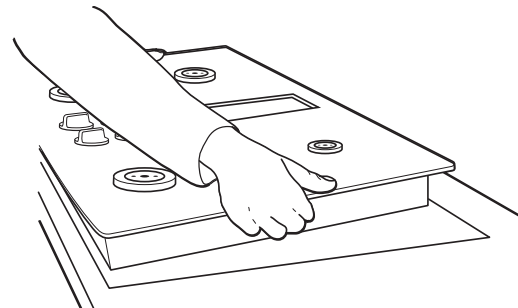
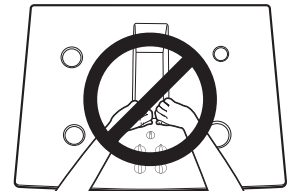
- Use care not to stretch the foam gasket tape while it is installed or it will not stay in place.
- Do not place foam gasket tape over the metal flanges.
- But the foam gasket tape ends together at each corner without overlapping.
- Trim the foam gasket tape to length without stretching.
- Mitre cut outside corners of foam gasket tape slightly if necessary for appearance.
- Do not scratch the glass while cutting the foam gasket tape.

10. INSTALLING THE COOKTOP

CAUTION

DO NOT LIFT FROM VENT OPENING.

Lift the cooktop by the glass side edges as shown.

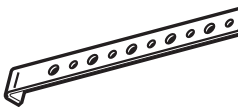


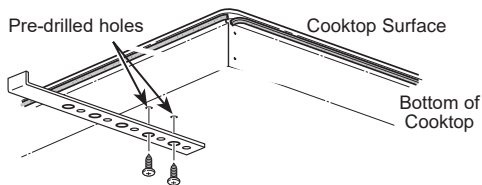
- Locate electrical outlet and gas shut-off valve beneath cabinet. **NOTE:** Do not use the glass top vent opening to lift or move the cooktop.
- Insert the cooktop centered into the cutout opening. **NOTE:** Do not use the glass top vent opening to lift or move the cooktop into position. Glass is fragile—do not allow it to drop onto the countertop. Support from the underside and lower slowly. Carefully remove your fingers one corner at a time to lower the cooktop into position.

Installation Instructions

COOKTOP INSTALLATION (Cont.)

10. INSTALLING THE COOKTOP (Cont.)

- C. Make sure the front edge of the countertop is parallel to the cooktop. Make final check that all required clearances are met.
- D. Locate and remove hold-down brackets from installation kit package. 
- E. Attach brackets to the underside of the cooktop. Remove the screws from the bottom of the cooktop and screw the hold-down bracket to the bottom of the cooktop unit. Repeat for opposite side of cooktop.
- F. Screw the hold-down brackets into the cabinet sides to secure the unit into place.



Alternate Installation:

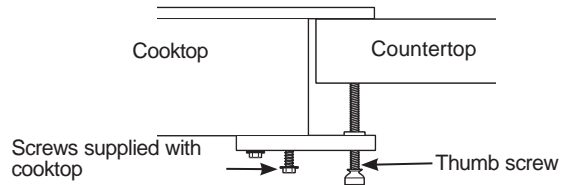
You can order an alternate installation kit WB01X24570 with wing nuts and brackets by calling 800.GE.CARES. See diagram for instructions.

To install optional installation brackets:

Remove 2 screws on both sides under cooktop.

Align optional installation bracket under cooktop and reinstall screws through the slot in the bracket. Do this on both sides of the cooktop.

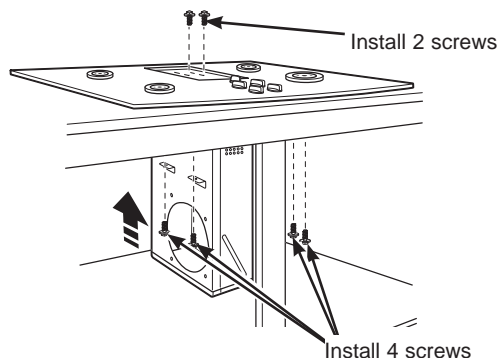
Thread the thumb screw through the hole in the bracket and tighten to secure the cooktop to the countertop. Repeat on the other side.



IMPORTANT: Turn the thumbscrew until it touches the bottom of the countertop. Do not overtighten.

11. INSTALLING THE BLOWER PLENUM TO THE COOKTOP

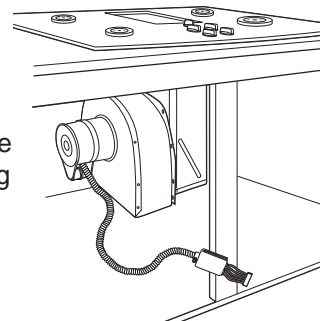
Slide the plenum, with the blower opening on the left, into the opening in the bottom of the cooktop. Push up on the plenum until the stops on the plenum contact the bottom of the cooktop, and snap the plenum into place. (You may have to move the plenum back and forth to work it into place.)



Secure the plenum to the bottom of the cooktop, on each side, using the four (4) screws provided. Further secure the plenum to the cooktop, from the top side, using the two screws (2) provided.

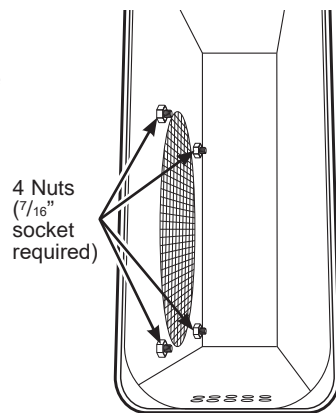
12. INSTALLING THE BLOWER TO THE PLENUM

Orient the blower discharge opening to match the ductwork in Steps 5 and 6. Slide the four threaded studs on the side of the blower housing into the four holes on the side of the plenum.



NOTE: See Step 13 for installing the transition duct to the blower. It may be easier to install the transition duct to the blower before installing the blower to the plenum.

From the vent opening in the top of the cooktop, fasten the blower assembly securely to the plenum with four (4) nuts. Torque to 25±5 in/lb.

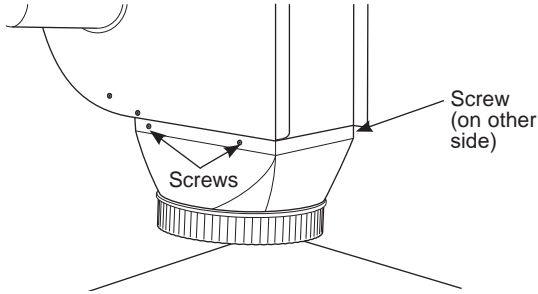


Installation Instructions

COOKTOP INSTALLATION (Cont.)

13. ATTACHING A BLOWER TRANSITION DUCT

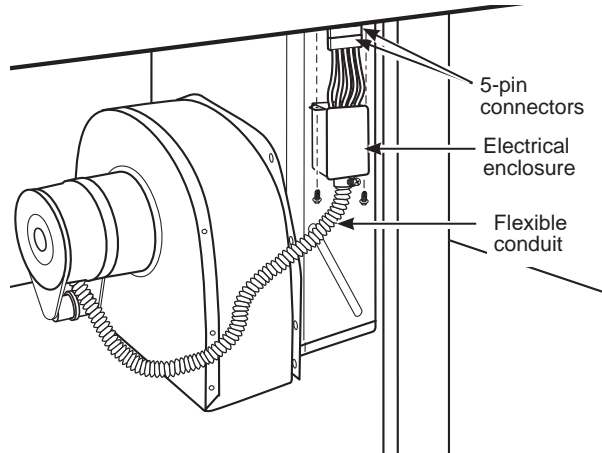
Use a blower transition duct for all downward duct installations to connect to 6" round standard ductwork. This 3 1/4" x 10" rectangle to 6" round transition duct is available at your local building supply store.



Install the transition duct to the blower outlet. Secure all joints with duct tape to assure an airtight seal

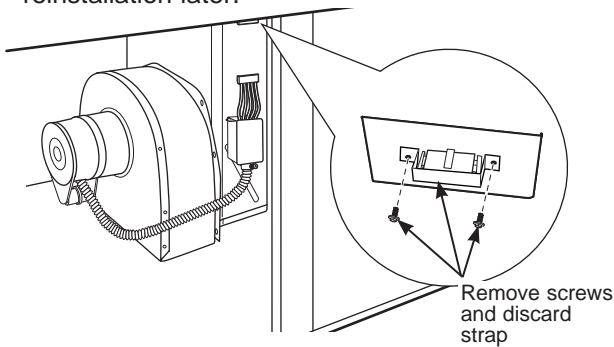
15. BLOWER ELECTRICAL CONNECTIONS (CONT.)

- Fold all wires into the electrical enclosure. Secure the enclosure with the screws removed earlier, making sure that no wires are trapped.

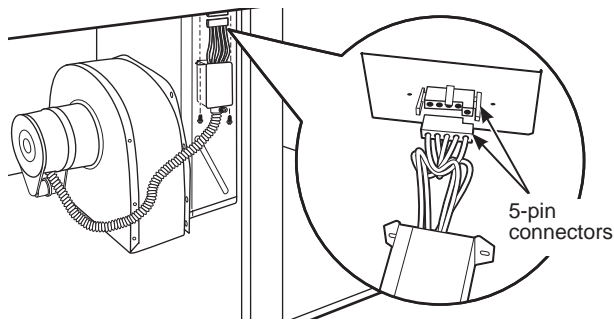


14. BLOWER ELECTRICAL CONNECTIONS

- Loosen the two screws and remove and discard the sheet metal strap covering the 5-pin connector on the cooktop bottom. Save the screws for reinstallation later.



- Connect the 5-pin plug on the blower assembly to the matching 5-pin receptacle on the bottom of the cooktop.



16. CONNECTING THE DUCTWORK

- Connect the ductwork prepared in Steps 5 and 6 to the blower.

Installation Instructions

COOKTOP INSTALLATION (Cont.)

17. INSTALL THE PRESSURE REGULATOR

▲WARNING **EXPLOSION HAZARD:** do not exceed 25 ft-lbs. of torque when making gas line connections. Overtightening may crack the pressure regulator resulting in fire or explosion hazard.

- You must use the gas pressure regulator supplied with this range.
- Shut off the main gas supply valve before disconnecting the old cooktop and leave it off until the new hook-up has been completed. Don't forget to relight the pilot on other gas appliances when you turn the gas back on.
- For all connections, use a pipe sealant approved by local codes and resistant to the activity of LP gas.
- Install the pressure regulator in the gas line as close to the cooktop inlet as possible to allow clearance for ventilation ducting.
- Make sure the arrow on the body of the regulator is pointing straight up and toward the cooktop. Any other position will affect the output pressure of the regulator. This arrow indicates correct flow of gas.
- Install a manual gas line shut-off valve in an easily accessible location.

NOTE: Instead of using solid piping to connect to pressure regulator, an approved flexible metal appliance connector may be used between the shut-off valve and the pressure regulator, if local codes permit.

- If the hard piping method is used, you must carefully align the pipe. The cooktop cannot be moved after the connection is made.
- Appropriate flare nuts and adapters are required at each end of the flexible connector.

TEST FOR LEAKS

▲WARNING **DO NOT USE A FLAME TO CHECK FOR GAS LEAKS!** Do not use the cooktop until all connections have been leak tested.

Perform leak test per the following instructions:

1. Purchase a liquid leak detector or prepare a soap solution of one part water, one part liquid detergent.
2. When all connections have been made, make sure all cooktop controls are turned to OFF and turn the gas supply valve to ON.
3. Apply the liquid leak detector or the soap solution around all connections from the shut-off valve to the cooktop.
4. A leak is identified by a flow of bubbles from the area of the leak.
5. If a leak is detected, turn the gas supply off. Tighten the fitting. Turn the gas on and test again.

If the leak persists, turn the gas supply off and contact your dealer for assistance. Do not attempt to operate the cooktop if a leak is present.

IMPORTANT: Disconnect the cooktop and the individual shut-off valve from the gas supply piping system during any pressure testing of that system at test pressures greater than 1/2 psig. Isolate the cooktop from the gas supply piping system by closing the individual manual shut-off valve to the cooktop during any pressure testing of the gas supply piping system at test pressures equal to or less than 1/2 psig.

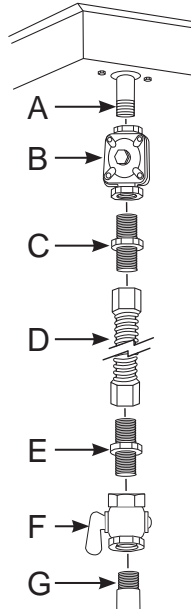
Installation Instructions

COOKTOP INSTALLATION (Cont.)

17. INSTALL THE PRESSURE REGULATOR (Cont.)

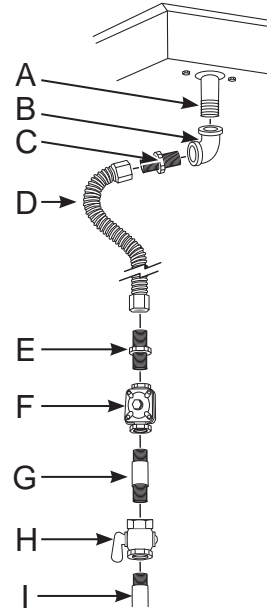
CONNECTOR HOOKUP

TYPICAL INSTALLATION WITH NO OBSTRUCTION BELOW COOKTOP



- A. 3/8" NPT male pipe thread
- B. Regulator provided with unit:
 - Outlet - 3/8" NPT female pipe thread
 - Inlet - 1/2" NPT female pipe thread
- C. Adapter
- D. Rigid or Flexible connector
- E. Adapter
- F. Manual shut-off valve
- G. Gas pipe 1/2" or 3/4"

ALTERNATE INSTALLATION WITH OBSTRUCTION BELOW COOKTOP



- A. 3/8" NPT male pipe thread
- B. Elbow
- C. Adapter
- D. Flexible connector (allows passage through cabinet wall)
- E. Adapter
- F. Regulator provided with unit:
 - Outlet - 3/8" NPT female pipe thread
 - Inlet - 1/2" NPT female pipe thread
- G. Gas pipe
- H. Manual shut-off valve
- I. Gas pipe 1/2" or 3/4"

Installation Instructions

COOKTOP INSTALLATION (Cont.)

18. ELECTRICAL CONNECTIONS

⚠ WARNING **Shock Hazard:** This appliance must be properly grounded. Failure to do so can result in electric shock.

120-volt, 60-Hertz, properly grounded branch circuit protected by a 15-amp or 20-amp circuit breaker or time-delay fuse.

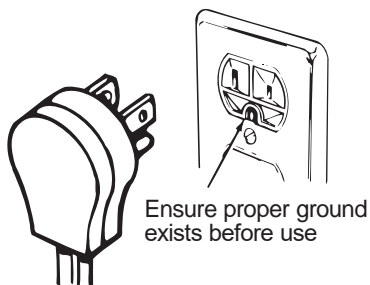
NOTE: Use of automatic, wireless, or wired external switches that shut off power to the appliance are not recommended for this product.

EXTENSION CORD CAUTIONS

Because of potential safety hazards associated with certain conditions, we strongly recommend against the use of an extension cord. However, if you still elect to use an extension cord, it is absolutely necessary that it be a UL-listed, 3-wire grounding-type appliance extension cord and that the current carrying rating of the cord in amperes be equivalent to, or greater than, the branch circuit rating.

GROUNDING

Preferred Method



The power cord of this appliance is equipped with a three-prong (grounding) plug which mates with a standard three-prong grounding wall receptacle to minimize the possibility of electric shock hazard from this appliance.

The customer should have the wall receptacle and circuit checked by a qualified electrician to make sure the receptacle is properly grounded.

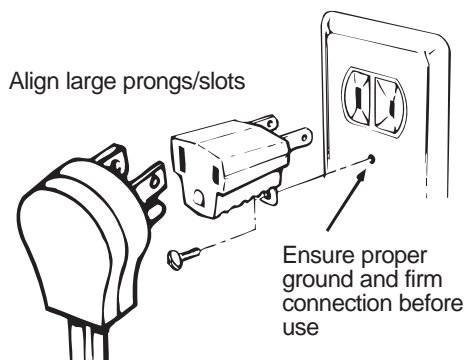
Where a standard two-prong wall receptacle is encountered, it is the personal responsibility and obligation of the customer to have it replaced with a properly grounded three-prong wall receptacle.

DO NOT, UNDER ANY CIRCUMSTANCES, CUT OR REMOVE THE THIRD (GROUND) PRONG FROM THE POWER CORD.

An adapter may be used only on a 15-amp circuit. Do not use an adapter on a 20-amp circuit. Where local codes permit, a **TEMPORARY CONNECTION** may be made to a properly grounded two-prong wall receptacle by the use of a UL-listed adapter, available at most hardware stores. The larger slot in the adapter must be aligned with the larger slot in the wall receptacle to provide proper polarity in the connection of the power cord.

Temporary Method

(Adapter plugs not permitted in Canada)



⚠ CAUTION Attaching the adapter ground terminal to the wall receptacle cover screw does not ground the appliance unless the cover screw is metal, not insulated, and the wall receptacle is grounded through the house wiring. The customer should have the circuit checked by a qualified electrician to make sure the receptacle is properly grounded.

When disconnecting the power cord from the adapter, always hold the adapter with one hand. If this is not done, the adapter ground terminal is very likely to break with repeated use. Should this happen, **DO NOT USE** the appliance until a proper ground has again been established.

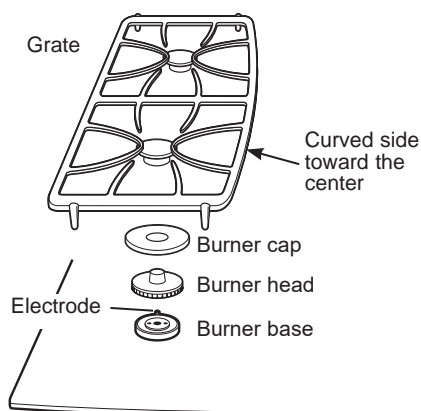
Ground Fault Circuit Interrupters (GFCI's) are not required or recommended for gas cooktop receptacles. Performance of the cooktop will not be affected if operated on a GFCI-protected circuit but occasional nuisance tripping of the GFCI breaker is possible.

Installation Instructions

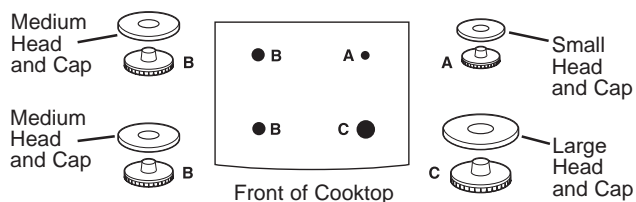
COOKTOP INSTALLATION (Cont.)

19. ASSEMBLE BURNERS, CHECK IGNITION

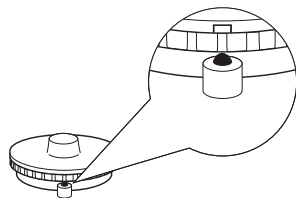
Assemble burner as shown.



CAUTION Do not operate the burner without all burner parts in place.



Place the burner heads on the burner bases matching the letters. Place the caps on the heads. Make sure that the heads and caps are placed on the correct size burner. The burner heads and burner bases are labeled A, B and C to aid reassembly. There is one small (A), two medium (B) and one large (C) head and cap.



Make sure the notch in the burner head is positioned toward the electrode. Rotate the burner head around the burner base until it is level and securely seated.

Place the grates over the burners.

Check for proper ignition:

- Push in one control knob and turn to LITE position.
- The igniter will spark and the burner will light; the igniter will cease sparking when the burner is lit.
- First test may require some time, while air is flushed out of the gas line.
- Check to determine if your burner flames are normal. If your burner flames look like A, turn off the burner and make sure all parts are assembled correctly. Reassemble and check. Normal burner flames should look like B or C depending on the type of gas you use. With LP gas, some yellow tipping on the outer cones is normal.



A—Yellow flames
Call for service

B—Yellow tips
on outer cones
Normal for LP gas

C—Soft blue
flames Normal
for natural gas

- Turn knob to OFF.
- Repeat the procedure for each burner.

WHEN ALL HOOKUPS ARE COMPLETED

Make sure all controls are left in the off position. Make sure the flow of combustion and ventilation air to the cooktop is unobstructed.

Check that all packing materials and tape have been removed. This will include adhesive tape, wire ties, cardboard and protective plastic. Failure to remove these materials could result in damage to the appliance once the appliance has been turned on and surfaces have heated.

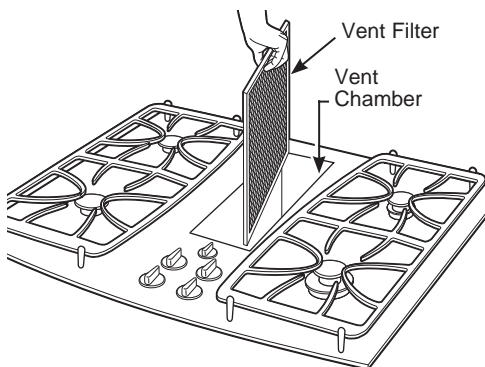
Installation Instructions

COOKTOP INSTALLATION (Cont.)

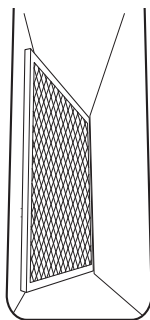
20. INSTALL DOWNDRAFT FILTER, VENT GASKET AND VENT GRILLE

Do not operate the vent without the filter in place.

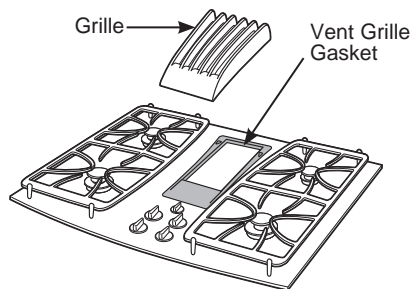
- Place the filter diagonally through the vent opening.



- Make sure it rests, at an angle, on the supports in the vent opening.



- Fit the vent grille gasket around the edge of the downdraft vent opening. Make sure the front of the gasket is installed toward the front of the cooktop.
- Carefully place the vent grille onto the gasket on the downdraft opening.






CHECK OPERATION OF DOWNDRAFT

- Turn the vent fan speed control to HI, MED and LO to make sure all speeds operate correctly.

Troubleshooting Tips ... Before you call for service

Save time and money! Review the charts on the following pages first and you may not need to call for service.

Problem	Possible Cause	What To Do
Water won't boil		Cover pan with a lid. Turn the downdraft fan OFF until the water begins to boil.
Burners have yellow or yellow-tipped flames	The combustion quality of burner flames needs to be determined visually.	Use the illustrations below to determine if your burner flames are normal. If burner flames look like A, call for service. Normal burner flames should look like B or C, depending on the type of gas you use. With LP gas, some yellow tipping on outer cones is normal. <div style="display: flex; justify-content: space-around; align-items: center; margin-top: 10px;"> <div style="text-align: center;">  <p>A–Yellow flames Call for service</p> </div> <div style="text-align: center;">  <p>B–Yellow tips on outer cones Normal for LP gas</p> </div> <div style="text-align: center;">  <p>C–Soft blue flames Normal for natural gas</p> </div> </div>
	Burner parts not replaced correctly.	See Cleaning the Cooktop section.
Burners do not light	Plug on cooktop is not completely inserted in the electrical outlet.	Make sure electrical plug is plugged into a live, properly grounded outlet.
	Gas supply not connected or turned on.	See the Installation Instructions section.
	A fuse in your home may be blown or the circuit breaker tripped.	Replace the fuse or reset the circuit breaker.
	Igniter orifice in burner body may be clogged.	Remove the obstruction.
	Burner parts not replaced correctly.	See Burner Caps, Heads and Electrodes in the Cleaning the Cooktop section.
	Notch in burner head may be clogged.	Use a small sewing needle or paper clip to unplug.
Sparking sound persists after burner is turned off	Be sure the knob is in the OFF position.	Remove knob by pulling it straight off the stem and check the bottom of the knob for any buildup of soil.
Occasional sparking sound	Changing blower speed.	This is a typical electrical switching noise. This is normal.
Burner flames very large or yellow	Improper air to gas ratio.	If cooktop is connected to LP gas, contact the person who installed your cooktop or made the conversion.
	Notch in burner head may be clogged.	Use a small sewing needle or paper clip to unplug.
Burner flames make excessive noise	Burner has not been used recently.	A "cold" burner ignited in the HI setting may have some flame "roar" or "lifting". This should dissipate after 4 to 5 minutes.
Burner flames pulled toward vent grille	Vent fan set at high speed.	This is normal. If cooking performance is affected, change to a lower fan speed setting.

Troubleshooting Tips ... Before you call for service

Problem	Possible Cause	What To Do
Control knobs will not turn	Controls improperly set.	To turn from the OFF position, push the knob in and then turn. The knob can only be turned in a counterclockwise direction. When the knob is at any other position, it can be turned in either direction without being pushed in.
Fan does not work	The fan control knob is improperly set.	Turn knob in clockwise direction to turn fan on.
	Cord improperly connected or power turned off.	Check connections. Turn on power at the fuse box.
Poor venting	Clogged filter.	Clean filter per instructions.
	House too airtight.	Open a window slightly to provide fresh air source.
	Wall cap obstructed.	Remove blockage from exterior wall cap.
	Wall cap damper door stuck.	Check exterior wall cap damper door for free movement or obstruction.
	Duct length exceeds recommended 100 equivalent foot maximum.	Reduce number of elbows to simplify duct run.
Tiny scratches or metal marks (may appear as cracks) or abrasions on radiant cooktop glass surface	Incorrect cleaning methods being used.	See the Cleaning the glass cooktop section.
	Cookware with rough bottoms being used or coarse particles (salt or sand) are present between the cookware and the surface of the cooktop.	Be sure cookware bottoms and cookware are clean before use. Use cookware with smooth bottoms. Tiny scratches are not removable but will become less visible in time as a result of cleaning.
	Cookware has been slid across the cooktop surface.	Pick up cookware to locate it on the glass surface.
Areas of discoloration or dark streaks on the cooktop	Improper cookware being used.	Marks from aluminum and copper pans as well as mineral deposits from water or food can be removed with the cleaning cream.
	Food spillovers not cleaned before next use.	See the Cleaning the Cooktop section.
	Incorrect cleaning methods being used.	Use recommended cleaning procedures.
Hot sugar mixtures or plastic melted to the surface	Hot cooktop came into contact with these substances.	See the Glass surface—potential for permanent damage section in the Cleaning the Cooktop section.
Pitting (or indentation) of the cooktop	Hot sugar mixture spilled or plastic melted on the cooktop.	Call a qualified technician for replacement.

Notes

GE Appliances Limited Warranty

GEAppliances.com

All warranty service is provided by our Factory Service Centers, or an authorized Customer Care® technician. To schedule service online, visit us at GEAppliances.com/service, or call GE Appliances at 800.GE.CARES (800.432.2737). Please have your serial number and your model number available when calling for service.

Servicing your appliance may require the use of the onboard data port for diagnostics. This gives a GE Appliances factory service technician the ability to quickly diagnose any issues with your appliance and helps GE Appliances improve its products by providing GE Appliances with information on your appliance. If you do not want your appliance data to be sent to GE Appliances, please advise your technician not to submit the data to GE Appliances at the time of service.

For the period of	GE Appliances will replace
One year From the date of the original purchase	Any part of the range which fails due to a defect in materials or workmanship. During this limited one-year warranty , GE Appliances will provide, free of charge , all labor and in-home service to replace the defective part.

What GE Appliances will not cover:

- Service trips to your home to teach you how to use the product.
- Improper installation, delivery or maintenance.
- Failure of the product if it is abused, misused, modified or used for other than the intended purpose or used commercially.
- Damage to the glass cooktop caused by use of cleaners other than the recommended cleaning creams and pads.
- Damage to the glass cooktop caused by hardened spills of sugary materials or melted plastic that are not cleaned according to the directions in the Owner's Manual.
- Replacement of house fuses or resetting of circuit breakers.
- Damage to the product caused by accident, fire, floods or acts of God.
- Damage to finish, such as surface rust, tarnish, or small blemishes not reported within 48 hours of delivery.
- Incidental or consequential damage caused by possible defects with this appliance.
- Damage caused after delivery.
- Product not accessible to provide required service.
- Service to repair or replace light bulbs, except for LED lamps.
- Effective January 1, 2022, cosmetic damage to the glass cooktop such as, but not limited to, chips, scratches, or baked on residue not reported within 90 days of installation.
- Effective January 1, 2022, damage to the glass cooktop due to impact or misuse. See example.



Staple your receipt here. Proof of the original purchase date is needed to obtain service under the warranty.

EXCLUSION OF IMPLIED WARRANTIES

Your sole and exclusive remedy is product repair as provided in this Limited Warranty. Any implied warranties, including the implied warranties of merchantability or fitness for a particular purpose, are limited to one year or the shortest period allowed by law.

This limited warranty is extended to the original purchaser and any succeeding owner for products purchased for home use within the USA. If the product is located in an area where service by a GE Appliances Authorized Servicer is not available, you may be responsible for a trip charge or you may be required to bring the product to an Authorized GE Appliances Service location for service. In Alaska, the limited warranty excludes the cost of shipping or service calls to your home.

Some states do not allow the exclusion or limitation of incidental or consequential damages. This limited warranty gives you specific legal rights, and you may also have other rights which vary from state to state. To know what your legal rights are, consult your local or state consumer affairs office or your state's Attorney General.

Warrantor: GE Appliances, a Haier company

Louisville, KY 40225

Extended Warranties: Purchase a GE Appliances extended warranty and learn about special discounts that are available while your warranty is still in effect. You can purchase it online anytime at

GEAppliances.com/extended-warranty

or call 800.626.2224 during normal business hours. GE Appliances Service will still be there after your warranty expires.

Accessories

Looking For Something More?

GE Appliances offers a variety of accessories to improve your cooking and maintenance experiences!

Refer to the Consumer Support page for phone numbers and website information.

The following products and more are available:

Accessories

NG High Altitude Orifice Kit

LP High Altitude Orifice Kit

LP Orifice Left-Front and Left-Rear

LP Orifice Right-Rear

LP Orifice Right-Front

Alternate Installation Kit

Cleaning Supplies

CitruShine™ Stainless Steel Wipes

Stainless Steel Polishing Cloth

Burnt-On Grease Remover

Stainless Steel Appliance Cleaner

Non-scratch Cleaning Pads for Ceramic Cooktops

Ceramic Glass Cooktop Cleaner

Cleaning Kit

Grate Cleaner

Stainless Steel Scratch Remover Kit

Consumer Support

GE Appliances Website

Have a question or need assistance with your appliance? Try the GE Appliances Website 24 hours a day, any day of the year! You can also shop for more great GE Appliances products and take advantage of all our on-line support services designed for your convenience. In the US: GEAppliances.com

Register Your Appliance

Register your new appliance on-line at your convenience! Timely product registration will allow for enhanced communication and prompt service under the terms of your warranty, should the need arise. You may also mail in the pre-printed registration card included in the packing material. In the US: GEAppliances.com/register

Schedule Service

Expert GE Appliances repair service is only one step away from your door. Get on-line and schedule your service at your convenience any day of the year. In the US: GEAppliances.com/service or call 800.432.2737 during normal business hours.

Extended Warranties

Purchase a GE Appliances extended warranty and learn about special discounts that are available while your warranty is still in effect. You can purchase it on-line anytime. GE Appliances Services will still be there after your warranty expires. In the US: GEAppliances.com/extended-warranty or call 800.626.2224 during normal business hours.

Remote Connectivity

For assistance with wireless network connectivity (for models with remote enable), visit our website at GEAppliances.com/connect or call 800.220.6899 in the US.

Parts and Accessories

Individuals qualified to service their own appliances can have parts or accessories sent directly to their homes (VISA, MasterCard and Discover cards are accepted). Order on-line today 24 hours every day. In the US: GEApplianceparts.com or by phone at 877.959.8688 during normal business hours.

Instructions contained in this manual cover procedures to be performed by any user. Other servicing generally should be referred to qualified service personnel. Caution must be exercised, since improper servicing may cause unsafe operation.

Contact Us

If you are not satisfied with the service you receive from GE Appliances, contact us on our Website with all the details including your phone number, or write to:

In the US: General Manager, Customer Relations | GE Appliances, Appliance Park | Louisville, KY 40225
GEAppliances.com/contact



Table de cuisson

à gaz avec aspiration descendante

CONSIGNES DE SÉCURITÉ	3
UTILISATION DE LA TABLE DE CUISSON	
Composants de la table de cuisson	7
Brûleurs de surface	8
Utilisation du système de ventilation à aspiration descendante.....	10
ENTRETIEN ET NETTOYAGE	
Nettoyage de la table de cuisson	11
INSTRUCTIONS D'INSTALLATION	15
Avant de commencer	16
Pièces incluses	18
Préparation de l'installation	19
Installation de la table de cuisson.....	23
CONSEILS DE DÉPANNAGE	31
GARANTIE LIMITÉE	34
ACCESSOIRES	35
SOUTIEN AU CONSOMMATEUR ..	36

GUIDE D'UTILISATION ET INSTRUCTIONS D'INSTALLATION

PGP9830

FRANÇAIS

Inscrivez les numéros de modèle et de série ici :

Numéro de modèle _____

Numéro de série _____

Vous trouverez ces numéros sur l'étiquette en dessous de la table de cuisson.

ESPAÑOL

Para consultar una versión en español de este manual de instrucciones, visite nuestro sitio de internet GEAppliances.com.



NOUS VOUS REMERCIONS D'INTÉGRER GE APPLIANCES À VOTRE DEMEURE.

Que vous ayez grandi avec des électroménagers GE Appliances ou qu'il s'agisse de votre première acquisition, nous sommes heureux de vous accueillir dans notre famille.

Nous sommes fiers du savoir-faire, de l'innovation et du design qui constituent chaque électroménager GE, et nous pensons que vous le serez aussi. Nous vous rappelons que l'enregistrement de votre électroménager vous assure de recevoir des renseignements importants sur le produit et la garantie lorsque vous en avez besoin.

Enregistrez votre électroménager GE en ligne dès maintenant. Des sites Web et des numéros de téléphone utiles figurent dans la section Soutien au consommateur de ce manuel d'utilisation. Vous pouvez également envoyer par courrier la carte d'enregistrement pré-imprimée qui se trouve dans l'emballage de votre appareil.



GE APPLIANCES

CONSIGNES DE SÉCURITÉ IMPORTANTES

LISEZ TOUTES LES INSTRUCTIONS AVANT D'UTILISER L'APPAREIL

⚠ AVERTISSEMENT Veuillez lire toutes les consignes de sécurité avant d'utiliser le produit. Le non-respect de ces instructions peut entraîner un incendie, une électrocution, des blessures graves, voire mortelles.

⚠ AVERTISSEMENT L'omission d'observer intégralement les informations de ce manuel peut poser un risque d'incendie ou d'explosion pouvant causer des dommages à la propriété et des blessures graves ou mortelles.

- Abstenez-vous d'entreposer et d'utiliser de l'essence ou d'autres vapeurs ou liquides inflammables à proximité de cet électroménager ou de tout autre appareil.
- QUE FAIRE SI VOUS SENTEZ UNE ODEUR DE GAZ
 - N'allumez aucun appareil.
 - Ne touchez à aucun interrupteur électrique et n'utilisez aucun téléphone dans votre immeuble.
 - Appelez immédiatement votre fournisseur de gaz avec le téléphone d'un voisin. Observez les instructions du fournisseur de gaz. s.
 - Si vous ne pouvez pas joindre le fournisseur de gaz, appelez le service des incendies.
- L'installation et le service doivent être effectués par un installateur ou un réparateur qualifiés, ou encore le fournisseur de gaz.

⚠ AVERTISSEMENT

N'utilisez jamais la surface de cuisson supérieure de cet électroménager sans surveillance.

- L'omission de se conformer à cet avertissement peut entraîner un incendie ou une explosion posant un risque de dommage à la propriété, de blessure ou de décès.
- Dans l'éventualité d'un incendie, tenez-vous à l'écart de l'électroménager et appelez immédiatement votre service d'incendie.

NE TENTEZ PAS D'ÉTEINDRE UN FEU D'HUILE OU DE GRAISSE AVEC DE L'EAU.

LISEZ ET CONSERVEZ CES INSTRUCTIONS

CONSIGNES DE SÉCURITÉ IMPORTANTES

LISEZ TOUTES LES INSTRUCTIONS AVANT D'UTILISER L'APPAREIL

▲ AVERTISSEMENT CONSIGNES DE SÉCURITÉ GÉNÉRALES

Demandez à l'installateur de vous montrer l'emplacement du robinet d'arrêt du gaz de la table de cuisson et comment le fermer si nécessaire.

- L'installation et la mise à la terre de la table de cuisson de cuisson doivent être réalisées par un installateur qualifié, en conformité avec les instructions d'installation. Tout réglage et toute réparation doivent être réalisés par un installateur ou un technicien en réparation compétents en tables de cuisson au gaz.
 - Ne tentez pas de réparer ou de remplacer une pièce de cette table de cuisson à moins d'une recommandation spécifique de ce manuel. Toute autre réparation ou entretien doivent être confiés à un technicien qualifié.
 - Placez la table de cuisson hors de la voie de circulation de la cuisine et des courants d'air pouvant nuire au rendement des brûleurs.
 - Branchez la table de cuisson dans une prise mise à la terre de 120 volts seulement. Ne retirez pas la broche de mise à la terre ronde de la fiche du cordon. En cas de doute sur la mise à la terre du système électrique de la maison, il est de votre responsabilité et de votre obligation personnelle de faire remplacer une prise non mise à la terre par une prise triphasée correctement mise à la terre en conformité avec le Code national de l'électricité. N'utilisez pas un cordon de rallonge avec cet électroménager.
 - Laissez refroidir les grilles des brûleurs et les autres surfaces avant de les toucher ou de les laisser à un endroit où les enfants peuvent les atteindre.
 - Assurez-vous que tous les matériaux d'emballage sont retirés de la table de cuisson avant de l'utiliser afin d'éviter tout risque d'incendie ou de fumée en cas d'inflammation du matériel d'emballage.
 - Assurez-vous que la table de cuisson est correctement réglée par un technicien ou un installateur qualifiés pour le type de gaz (naturel ou gaz de pétrole liquéfié [GPL]) à utiliser. Votre table de cuisson peut être convertie pour une utilisation avec l'un ou l'autre type de gaz. Voyez les instructions d'installation dans la trousse de conversion au GPL.
- ▲ AVERTISSEMENT Ces réglages doivent être effectués par un technicien en entretien/réparation qualifié conformément aux instructions du fabricant et à tous les codes et exigences de l'autorité compétente. Le non-respect de ces instructions peut entraîner des blessures graves ou des dommages matériels. L'organisme qualifié qui effectue ce travail assume la responsabilité de la conversion.
- Ne laissez pas d'enfants seuls ou sans surveillance dans la zone où l'électroménager est en cours d'utilisation. On ne devrait jamais leur permettre de grimper, s'asseoir ou se tenir sur quelque partie de l'électroménager que ce soit.
 - Utilisez cet électroménager uniquement aux fins auxquelles il est fait mention dans ce manuel du propriétaire.
- ▲ ATTENTION Ne rangez pas les articles qui intéressent les enfants dans des armoires au-dessus d'une cuisinière ou d'une table de cuisson, les enfants qui grimpent sur l'appareil pour atteindre des articles pourraient être gravement blessés.
- ▲ AVERTISSEMENT RISQUE D'INCENDIE : Ne laissez jamais la cuisinière sans surveillance lorsque la table de cuisson est ALLUMÉE. Gardez les articles inflammables à l'écart de la table de cuisson. Une fois la cuisson terminée, éteignez toutes les commandes. Le non-respect de ces instructions peut entraîner un incendie et des blessures graves ou mortelles.
- Maintenez toujours les revêtements muraux combustibles, les rideaux ou les draperies à une distance sécuritaire de la table de cuisson.
 - Ne placez pas et ne rangez pas d'articles qui peuvent fondre ou prendre feu sur la table de cuisson en verre, même si elle n'est pas utilisée. Maintenez la zone de l'appareil à l'écart des matériaux combustibles, de l'essence et des autres vapeurs et liquides inflammables. Si la table de cuisson est allumée par inadvertance, ces substances peuvent s'enflammer. La chaleur provenant de la table de cuisson ou de l'évent du four peut également les enflammer, même après la mise à l'arrêt de l'appareil.
 - Ne placez pas d'objets métalliques tels que des couteaux, des fourchettes, des cuillères et des couvercles sur la surface de la table de cuisson car ils peuvent devenir chauds.
 - N'obstruez pas la circulation de l'air de combustion et de ventilation.
 - Les tests d'étanchéité de l'électroménager doivent être exécutés selon les instructions du fabricant
 - Ne portez jamais de vêtements amples ou pendants lorsque vous utilisez l'appareil. Soyez prudent lorsque vous tendez le bras pour prendre des articles rangés dans des armoires au-dessus de la table de cuisson. Les matières inflammables peuvent s'enflammer en cas de contact avec une flamme ou des surfaces chaudes et provoquer de graves brûlures.
 - N'essayez pas de soulever la table de cuisson lorsqu'elle est connectée à l'alimentation en gaz. Cela peut endommager la tuyauterie de gaz aux brûleurs et occasionner une fuite de gaz et un risque d'incendie.
 - Nettoyez fréquemment les composants d'aspiration descendante. La graisse ne doit pas s'accumuler dans la grille d'évent, le joint, le filtre, ni la chambre.
 - Utilisez un thermomètre à friture aussi souvent que possible pour surveiller la température de l'huile. Pour éviter le débordement d'huile et le risque d'incendie, utilisez une quantité minimum d'huile dans une poêle à frire peu profonde et évitez de cuire des aliments congelés comportant de grandes quantités de glace.

LISEZ ET CONSERVEZ CES INSTRUCTIONS

CONSIGNES DE SÉCURITÉ IMPORTANTES

LISEZ TOUTES LES INSTRUCTIONS AVANT D'UTILISER L'APPAREIL

▲ AVERTISSEMENT CONSIGNES DE SÉCURITÉ GÉNÉRALES

- Ne versez pas d'eau sur un feu de graisse. Ne prenez jamais une casserole en flammes. Mettez les commandes à la position d'arrêt (OFF). Éteignez une casserole en flammes sur un brûleur de surface en la recouvrant complètement avec un couvercle bien ajusté, une tôle à biscuits ou un plateau plat. Utilisez un extincteur à mousse ou à poudre chimique multi-usages. On peut éteindre de la graisse enflammée à l'extérieur d'une casserole en la recouvrant de bicarbonate de soude ou en utilisant un extincteur à mousse ou à poudre chimique multi-usages.

- **▲ AVERTISSEMENT** Pour réduire le risque d'incendie, de choc électrique ou de blessure, respectez les consignes suivantes :
 - A. Utilisez cet appareil seulement de la manière prévue par le fabricant. Si vous avez des questions, contactez le fabricant.
 - B. Avant de nettoyer l'appareil ou de le faire réparer, mettez-le hors tension au niveau du panneau électrique.
 - C. Si vous faites un trou ou une ouverture dans un mur ou un plafond, n'endommagez pas les fils

- électriques et les autres installations de service public dissimulées.
- D. Les ventilateurs canalisés doivent toujours diriger l'air vers l'extérieur.
- E. Pour réduire le risque d'incendie, utilisez uniquement des conduits métalliques.
- F. Ne pas faire flamber les aliments sur la table de cuisson. Si vous faites flamber des aliments sous la hotte, allumez le ventilateur.
- G. Un débit d'air suffisant est nécessaire pour assurer une combustion adéquate et l'évacuation des gaz par le conduit d'évacuation (cheminée) de l'équipement de combustion afin d'éviter tout retour d'air. Suivez les directives et les normes de sécurité du fabricant de l'équipement de chauffage, telles que celles publiées par la National Fire protection Association (NFPA), l'American Society for Heating, Refrigeration and Air Conditioning Engineers (ASHRAE) et les autorités locales. Lorsqu'il y a lieu, installez un système d'air d'appoint en conformité avec les prescriptions du code du bâtiment local. Rendez-vous sur GEAppliances.com pour les solutions offertes en matière d'air d'appoint.

▲ AVERTISSEMENT SURFACE DE LA TABLE DE CUISSON EN VERRE

Soyez prudent lorsque vous touchez la surface en verre de la table de cuisson. La surface en verre de la table de cuisson retient la chaleur une fois les commandes désactivées.

- Évitez de rayer le verre de la table de cuisson. La table de cuisson peut être rayée avec des objets tels que des couteaux, des instruments tranchants, des anneaux ou d'autres bijoux, et des rivets sur les vêtements.
- De grandes rayures ou des impacts sur la table de cuisson en verre peuvent causer des bris ou des éclats de verre.
- Ne faites pas fonctionner la table de cuisson si le verre est cassé. Les débordements ou les solutions de nettoyage peuvent pénétrer dans une table de cuisson cassée et créer un risque d'électrocution. Contactez immédiatement un technicien qualifié si la surface de votre table de cuisson en verre est cassée.
- N'utilisez jamais la surface de la table de cuisson en verre comme planche à découper.
- Utilisez seulement des poignées sèches. Des poignées humides ou mouillées sur des surfaces chaudes peuvent causer des brûlures à cause de la vapeur. N'utilisez pas de serviette ni de linge épais en guise de poignées.
- Nettoyez la surface de la table de cuisson avec précaution. Si vous utilisez une éponge ou un chiffon humide pour essuyer les éclaboussures sur une surface chaude, prenez garde aux brûlures à la vapeur. Certains

nettoyants peuvent produire des vapeurs nocives s'ils sont appliqués sur une surface chaude. **REMARQUE :** Avant de nettoyer les surfaces de l'appareil, nous vous recommandons d'attendre qu'elles refroidissent et que le voyant de surface chaude s'éteigne. Les éclaboussures de sucre sont l'exception à cela. Consultez la rubrique Nettoyage de la table de cuisson en verre de la section Entretien et nettoyage.

- Utilisez un nettoyant pour table de cuisson en verre et un tampon de nettoyage non abrasif pour nettoyer la table de cuisson. Lisez et suivez toutes les instructions et les avertissements figurant sur l'étiquette de la crème de nettoyage.
- Pour éviter d'endommager la surface de cuisson, n'appliquez pas de crème de nettoyage sur la surface en verre lorsqu'elle est chaude.
- Après le nettoyage, utilisez un chiffon sec ou une serviette en papier pour enlever tous les résidus de crème de nettoyage.

LISEZ ET CONSERVEZ CES INSTRUCTIONS

CONSIGNES DE SÉCURITÉ IMPORTANTES

LISEZ TOUTES LES INSTRUCTIONS AVANT D'UTILISER L'APPAREIL

▲ AVERTISSEMENT BRÛLEURS DE SURFACE

Régalez la taille de la flamme du brûleur de manière à ce qu'elle ne dépasse pas du bord du récipient. Des flammes trop intenses présentent un risque.

- Gardez tous les plastiques à l'écart des brûleurs de surface.
- Si vous sentez une odeur de gaz, coupez le gaz de la table de cuisson et appelez un technicien qualifié. N'utilisez jamais de flamme nue pour localiser une fuite.
- Pour éviter tout risque de brûlure, assurez-vous toujours que les commandes de tous les brûleurs sont en position d'arrêt et que toutes les grilles sont froides avant de les retirer.
- Pour réduire les risques de brûlures, l'allumage de matériels inflammables et de débordement, la poignée du contenant doit être tournée vers le centre de la surface de cuisson et ne pas être dirigée vers des surfaces d'appareils avoisinants.
- Ne laissez jamais de pots ou de cannettes de matières grasses sur ou près de la table de cuisson.
- N'utilisez pas de papier aluminium pour recouvrir la grille des brûleurs ou doubler une partie quelconque de la table de cuisson. Cela peut mener à une intoxication au monoxyde de carbone, à la surchauffe des surfaces de la table de cuisson ou à un incendie.
- Ne couvrez pas et ne bloquez pas la zone autour des boutons de la table de cuisson. Cette zone doit être dégagée pour assurer une ventilation et un rendement corrects des brûleurs.
- Nettoyez uniquement les pièces répertoriées dans ce manuel d'utilisation.

▲ AVERTISSEMENT CUISEZ LA VIANDE ET LA VOLAILLE À FOND

Cuisez les aliments à fond pour vous prémunir contre les maladies d'origine alimentaire. On peut trouver des recommandations de températures minimales sécuritaires pour la cuisson des aliments sur les sites IsItDoneYet.gov et fsis.usda.gov. Utilisez un thermomètre pour aliments et vérifiez à plusieurs endroits.

▲ AVERTISSEMENT CONVERSION AU GPL (ou reconversion au gaz naturel à partir du GPL)

Cette table de cuisson est pré-réglée en usine pour une utilisation au gaz naturel.

Si vous voulez convertir au GPL, la conversion doit être effectuée par un installateur qualifié pour ce type de gaz.

Les instructions de conversion, l'autocollant de conversion et les orifices GPL sont attachés au régulateur de pression.

Il y a un deuxième ensemble d'instructions sous la table de cuisson à l'intérieur du panneau de commande contenant les instructions de conversion et les schémas de câblage du produit. Conservez ces instructions et les orifices de gaz naturel au cas où vous souhaiteriez vous reconverter au gaz naturel.

Comment retirer la pellicule protectrice et le ruban adhésif de l'emballage

Avec précaution, agrippez un coin de la pellicule protectrice avec vos doigts et retirez-la lentement de la surface de l'électroménager. N'utilisez pas d'articles coupants pour retirer la pellicule. Retirez toute la pellicule avant d'utiliser l'électroménager pour la première fois.

Pour s'assurer de l'absence de dommages au fini du produit, la meilleure manière de retirer le ruban adhésif sur un

électroménager neuf consiste à appliquer un détergent pour lave-vaisselle liquide domestique. Appliquez avec un linge doux et laissez imbiber.

REMARQUE : L'adhésif doit être retiré de toutes les pièces. Cela sera impossible s'il est cuit.

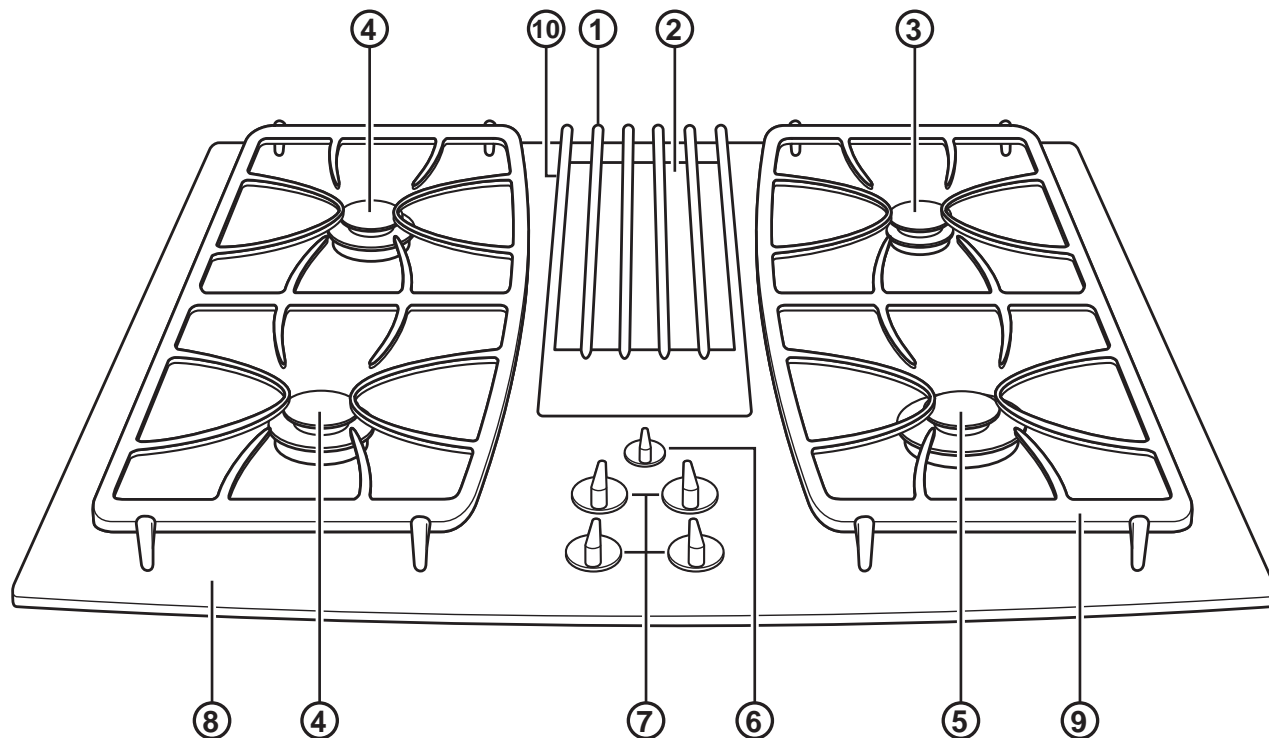
Jetez proprement le matériel d'emballage de l'appareil selon les options de recyclage à votre disposition.

MISE AU REBUT ADÉQUATE DE VOTRE ÉLECTROMÉNAGER

Recyclez ou mettez votre électroménager au rebut conformément aux réglementations fédérales et locales. Communiquez avec les autorités locales compétentes pour la mise au rebut écologique de votre électroménager.

LISEZ ET CONSERVEZ CES INSTRUCTIONS

Composants de la table de cuisson



1. **Grille d'évent** : Voir la page 12
2. **Filtre d'évent (situé sous la grille d'évent)** : Voir la page 12
3. **Brûleur de mijotage antidébordement** : Voir les page 8 et 11
4. **Brûleurs antidébordement** : Voir les page 8 et 11
5. **Brûleur antidébordement de puissance élevée** : Voir les page 8 et 11
6. **Commande d'évent** : Voir la page 10
7. **Commandes des brûleurs de surface** : Voir la page 8
8. **Surface de la table de cuisson en verre** : Voir la page 13
9. **Grilles de brûleur en fonte** : Voir la page 12
10. **Joint de grille d'évent** : Voir la page 12

Brûleurs de surface

Dans ce manuel, les caractéristiques et l'apparence peuvent varier selon le modèle.

Comment allumer un brûleur de surface à gaz

⚠ AVERTISSEMENT Il faut utiliser les brûleurs uniquement lorsqu'ils sont recouverts d'un récipient (casserole, poêlon, etc.) de cuisson. Les flammes de brûleur non recouvertes par un ustensile de cuisson présentent un risque d'incendie ou d'inflammation de vêtement. Ne laissez jamais les flammes dépasser des côtés du récipient de cuisson. L'omission d'observer cette directive peut occasionner des blessures graves.

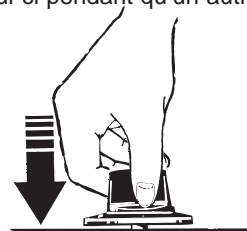
Poussez le bouton de commande et tournez-le à la position LITE (allumage).

Vous entendrez un clic, le son de l'étincelle électrique qui allume le brûleur.

Tournez le bouton pour régler la taille de la flamme. Si le bouton reste à LITE, il continuera à cliquer.

Lorsqu'un brûleur est tourné à LITE, tous les brûleurs produisent une étincelle. Ne tentez pas de démonter un brûleur ou de nettoyer autour de celui-ci pendant qu'un autre brûleur est allumé. Un choc électrique pourrait en résulter qui vous ferait renverser des récipients chauds.

Si le brûleur n'a pas été utilisé récemment, les flammes peuvent faire un bruit excessif. Ce phénomène est normal et devrait se dissiper après 4 à 5 minutes.



Poussez le bouton de commande et tournez-le à la position LITE (allumage).

Brûleurs à gaz étanches

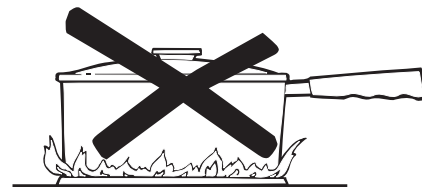
Le brûleur plus petit (position arrière droite) donnera les meilleurs résultats de mijotage. Il offre des performances de cuisson précises pour les aliments délicats, tels que les sauces ou les aliments qui doivent cuire à basse température pendant une longue période. Il peut être réglé sur un niveau de mijotage très bas.

Les autres brûleurs, en particulier la position avant droite, sont plus puissants et amènent les liquides à ébullition plus rapidement, en particulier avec l'utilisation d'un couvercle.

Comment sélectionner la taille de la flamme

Pour manipuler les récipients en toute sécurité, ne laissez jamais les flammes s'étendre sur les côtés du récipient. Surveillez la flamme, et non le bouton, lorsque vous réduisez la chaleur. La taille de la flamme d'un brûleur à gaz doit correspondre à celle du récipient utilisé.

Toute flamme plus grande que le fond du récipient est gaspillée et sert uniquement à chauffer le manche.



En cas de panne de courant

En cas de panne de courant, vous pouvez allumer les brûleurs à gaz de votre table de cuisson à l'aide d'une allumette. Maintenez une allumette allumée au brûleur, puis poussez et tournez le bouton de commande à la position LITE. Usez d'une extrême prudence en allumant les brûleurs de cette façon.

Les brûleurs de surface utilisés lors d'une panne de courant continuent à fonctionner normalement.

EN CAS DE COUPE DE COURANT, LE SYSTÈME DE VENTILATION NE FONCTIONNERA PAS.

Avant d'allumer un brûleur à gaz

- Assurez-vous que toutes les têtes de brûleur, tous les chapeaux de brûleur et toutes les grilles sont correctement situés (voir la rubrique Chapeaux, têtes et électrodes de brûleur dans la section Nettoyage de la table de cuisson).

Après l'allumage d'un brûleur à gaz

- Ne faites pas fonctionner le brûleur durant une longue période sans récipient de cuisson sur la grille du brûleur. Sans récipient, le fini de la grille peut s'écailler pour absorber la chaleur.
- Assurez-vous que les brûleurs et les grilles sont froids avant d'y placer votre main, une poignée, un chiffon de nettoyage ou d'autres matériaux.

Brûleurs de surface

Utilisation d'un wok

Nous vous recommandons d'utiliser un wok à fond plat, disponible chez votre détaillant local.

Seul un wok à fond plat doit être utilisé. N'utilisez pas un wok à fond plat avec un support pour wok.

N'utilisez pas un wok à fond plat avec un anneau de support. Placez un tel anneau au-dessus d'un brûleur ou d'une grille peut nuire au bon fonctionnement du brûleur, ce qui augmentera le niveau de monoxyde de carbone au-dessus des valeurs admissibles. Cela peut nuire à votre santé.



Utilisez un wok à fond plat.



Ustensiles

Aluminium : Nous recommandons des récipients de poids moyen car ils s'échauffent rapidement et uniformément. La plupart des aliments brunissent uniformément dans un poêlon en aluminium. Utilisez des casseroles avec des couvercles étanches lorsque vous cuisez avec une quantité d'eau minimale.

Acier inoxydable : Seul, ce métal ne comporte pas de propriétés calorifiques intéressantes et il est généralement combiné avec le cuivre, l'aluminium et d'autres métaux afin d'améliorer la distribution de la chaleur. Les poêlons aux métaux combinés donnent de bons résultats s'ils sont utilisés à chaleur moyenne selon les recommandations du fabricant.

Fonte : S'ils sont chauffés lentement, la plupart des poêlons donneront des résultats satisfaisants.

Métal émaillé : Dans certaines conditions, l'émail de certains récipients de cuisson peut fondre. Suivez recommandations du fabricant pour les méthodes de cuisson.

Verre : Il existe deux types de récipients en verre, ceux qui vont au four seulement et ceux pour la cuisson en surface (casseroles, récipients pour le café et le thé). Le verre conduit la chaleur très lentement.

Vitrocéramique résistante à la chaleur : Elle peut s'utiliser autant pour le four qu'en surface. Sa conduction de chaleur et son refroidissement s'effectuent très lentement. Consultez les instructions du fabricant des ustensiles de cuisine pour vous assurer qu'ils peuvent être utilisés sur une table de cuisson à gaz.

Grils de cuisinière

N'utilisez pas de grils de cuisinière sur vos brûleurs à gaz étanches. Si vous utilisez un gril de cuisinière sur un brûleur à gaz étanche, cela provoquera une combustion incomplète qui peut entraîner une exposition à des niveaux de monoxyde de carbone supérieurs aux normes actuelles admissibles. Cela peut nuire à votre santé.



Retrait des ustensiles de la table de cuisson

Lorsque vous retirez un récipient chaud d'un brûleur, assurez-vous de le soulever suffisamment pour ne pas entrer en contact avec les boutons de commande. Un récipient chaud qui entre en contact avec les boutons de commande peut provoquer des dommages, tels que la fonte ou la déformation.



Utilisation du système de ventilation à aspiration descendante

Comment utiliser le système de ventilation à aspiration descendante

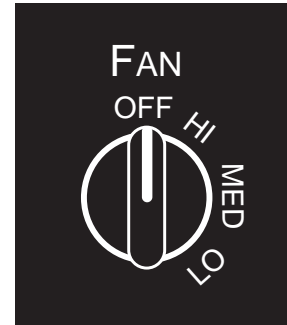
Le système de ventilation intégré permet d'éliminer les vapeurs, les odeurs et la fumée de cuisson des aliments préparés sur la table de cuisson.

Tournez le bouton de commande de la vitesse du ventilateur sur HI, MED ou LO, selon les besoins.

L'utilisation continue du système de ventilation pendant la cuisson permet de maintenir la cuisine confortable et moins humide, réduisant ainsi les odeurs de cuisson et l'humidité qui crée normalement un besoin fréquent de nettoyage.

L'apparence des flammes de brûleur peut être modifiée lorsque le ventilateur du système fonctionne. Lorsque la vitesse du ventilateur est élevée, il est normal que les flammes de brûleur à proximité soient attirées vers la grille d'évent. Si le rendement de cuisson est moindre, utilisez un réglage de vitesse du ventilateur moins élevé.

EN CAS DE COUPURE DE COURANT, LE SYSTÈME DE VENTILATION NE FONCTIONNERA PAS.



Nettoyage de la table de cuisson

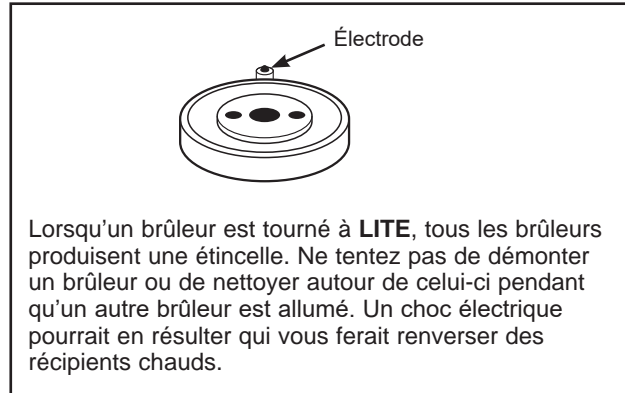
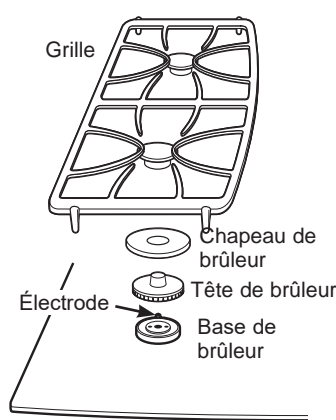
Assurez-vous que l'alimentation électrique est coupée et que toutes les surfaces sont refroidies avant de nettoyer une partie quelconque de la table de cuisson.

Assemblages de brûleur étanche Assemblies

Éteignez toutes les boutons de commande avant de retirer les pièces du brûleur.

Les grilles, les chapeaux et les têtes de brûleur peuvent être soulevés pour faciliter leur nettoyage.

ATTENTION N'utilisez pas le brûleur sans que toutes ses pièces ne soient en place.



Chapeaux, têtes et électrodes de brûleur

Chapeaux de brûleur

Soulevez ces éléments lorsqu'ils sont froids. Pour nettoyer les chapeaux de brûleur, lavez-les à l'eau chaude savonneuse et rincez-les à l'eau propre. Vous pouvez récurer les particules alimentaires cuites avec un tampon en plastique.

Têtes des brûleurs

Les fentes dans les têtes de brûleur doivent être maintenues propres en permanence pour une flamme régulière et sans obstacle.

Vous devez nettoyer les brûleurs de surface régulièrement, en particulier lors de débordements salissants qui pourraient obstruer ces orifices. Soulevez ces éléments lorsqu'ils sont froids.

Pour nettoyer les têtes de brûleur, lavez-les à l'eau chaude savonneuse et rincez-les à l'eau propre.

Pour retirer les aliments brûlés, faites tremper les têtes de brûleur dans une solution de détergent liquide doux et d'eau chaude pendant 20 à 30 minutes. Pour les taches récalcitrantes, utilisez une brosse à dents. Utilisez une petite aiguille à coudre ou un trombone pour retirer les obstructions des fentes.

Électrodes

Cette petite tige métallique produit l'étincelle et doit être maintenue propre et sèche pour enflammer correctement le gaz.

Pour nettoyer les électrodes, utilisez un essuie-tout sec ou un tampon à récurer.

Après le nettoyage

Avant de remettre les chapeaux et les têtes de brûleur en place, secouez-les pour éliminer l'excès d'eau, puis séchez-les à fond en les mettant au four modérément chaud (Warm) durant 30 minutes. Assurez-vous que les électrodes restent bien en place dans la tête du brûleur.

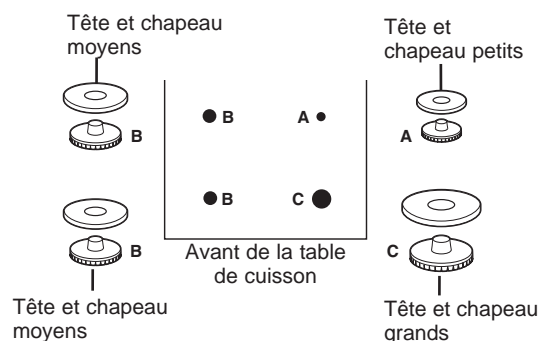
Remise en place

Les têtes de brûleur et les bases de brûleur sont étiquetées A, B et C pour faciliter le remontage.

Remplacez les têtes de brûleur sur les bases en faisant correspondre les lettres. Remettez les chapeaux sur les têtes. Assurez-vous que les chapeaux et les têtes sont placés correctement. Il y a une petite tête (A), deux moyennes (B) et une grande tête (C) et un chapeau. Si les chapeaux ou les têtes ne sont pas placés correctement, les brûleurs peuvent ne pas s'enflammer ou fonctionner correctement.

Après le nettoyage, assurez-vous que l'encoche de la tête du brûleur est orientée vers l'électrode. Faites tourner la tête du brûleur autour de la base du brûleur jusqu'à ce qu'elle soit de niveau et bien en place.

REMARQUE : Avant de retirer les chapeaux et les têtes de brûleur, gardez à l'esprit leur taille et leur emplacement. Remplacez-les au même endroit après le nettoyage. Les têtes de brûleur et les bases de brûleur sont étiquetées A, B et C pour faciliter le remontage.



Nettoyage de la table de cuisson

Grilles de brûleur, grille d'évent et joint de grille d'évent

Soulevez ces éléments lorsqu'ils sont froids. Les grilles de brûleur, la grille d'évent et le joint de grille d'évent doivent être lavés régulièrement et après les débordements.

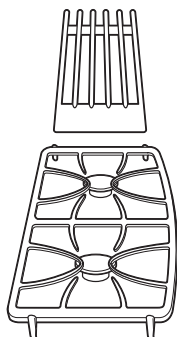
Pour nettoyer, lavez-les à l'eau chaude savonneuse et rincez-les à l'eau propre.

La décoloration des grilles peut également être éliminée avec la crème de nettoyage fournie avec la table de cuisson. Appliquez-en une goutte ou deux sur un chiffon humide et frottez la zone décolorée. Rincez et séchez. Après le nettoyage, remplacez les grilles de brûleur et assurez-vous qu'elles sont bien placées sur les brûleurs.

Pour éliminer les aliments brûlés, utilisez un tampon à récurer rempli de savon.

Bien qu'elles soient durables, les grilles vont progressivement perdre leur éclat, indépendamment du meilleur soin que vous pouvez leur donner. Cela est dû à leur exposition continue à des températures élevées.

Ne faites pas fonctionner un brûleur durant une longue période sans récipient de cuisson sur la grille de brûleur. Sans récipient, le fini de la grille peut s'écailler pour absorber la chaleur.



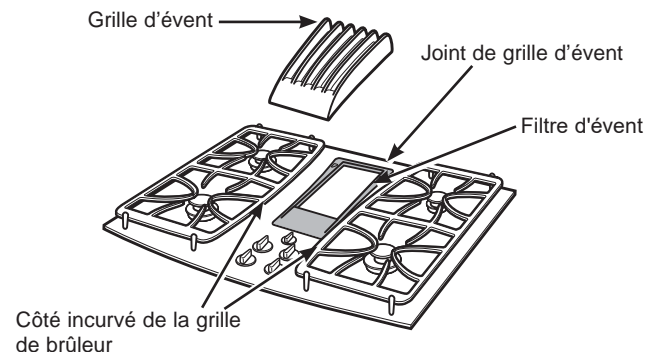
L'aspect peut varier.

Les « jambes » des grilles sont munies de quatre « pieds » (bouts) en caoutchouc. Pour commander des pieds de grille de rechange en caoutchouc, consultez les sections Accessoires et Soutien au consommateur.

Remise en place

Avant de replacer la grille d'évent, assurez-vous que le joint de la grille est correctement installé autour de l'ouverture de l'évent à aspiration descendante, avec le mot « FRONT » orienté vers les boutons. Replacer soigneusement la grille d'évent par-dessus le joint.

En remplaçant les grilles, assurez-vous que les côtés incurvés des grilles sont orientés vers le centre.



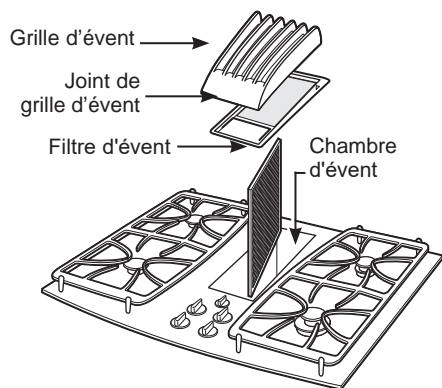
REMARQUE : Ne nettoyez pas les grilles de brûleur, la grille d'évent ou le joint de grille d'évent dans un four autonettoyant. Les grilles de brûleur, la grille d'évent ou le joint de grille d'évent peuvent être nettoyés au lave-vaisselle.

Filtre et chambre de l'évent

Retirez la grille et son joint. Le filtre est maintenu en place à un angle par une bosse de maintien. Soulevez le filtre et sortez-le de l'évent en diagonale.

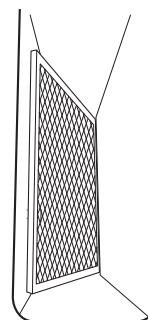
Pour nettoyer le filtre, remuez-le dans l'eau chaude savonneuse. Rincez bien à l'eau claire et séchez à fond.

Ne faites pas fonctionner l'évent sans que le filtre ne soit en place.



Retirez et remplacez le filtre en diagonale par l'ouverture de l'évent.

Pour commander des filtres de rechange en caoutchouc, consultez les sections Accessoires et Soutien au consommateur.



En remplaçant le filtre, assurez-vous qu'il repose en angle sur les supports de l'ouverture d'évent.

Pour nettoyer la chambre d'évent, utilisez de l'eau chaude savonneuse. Rincez à l'eau claire et séchez à fond. N'utilisez pas de nettoyeurs abrasifs, ils endommagent le fini.

Remise en place

Remplacez le filtre après le nettoyage et le séchage. Remplacez le joint de la grille d'évent en le formant autour de l'ouverture d'évent en vous assurant que le mot « FRONT » est orienté vers les boutons. Remplacez la grille d'évent.

Nettoyage de la table de cuisson (suite)

Boutons de commande

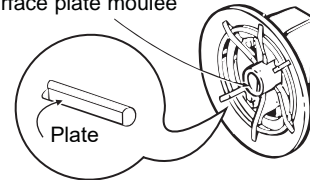
Les boutons de commande sont amovibles pour faciliter le nettoyage.

Assurez-vous que les boutons sont dans la position d'arrêt (OFF) et tirez-les de leur arbre en ligne droite pour les nettoyer.

Pour nettoyer les boutons, placez-les au lave-vaisselle ou lavez-les à l'eau savonneuse. Rincez à l'eau claire. Assurez-vous de bien sécher l'intérieur des boutons avant de les replacer.

Remplacez les boutons à la position OFF pour assurer leur bonne orientation.

Surface plate moulée



Les boutons de commande sont amovibles pour faciliter le nettoyage.

Surfaces en acier inoxydable (certains modèles)

N'utilisez pas de tampons à récurer en laine d'acier car ils rayent la surface.

Pour nettoyer la surface en acier inoxydable, utilisez de l'eau tiède savonneuse ou un nettoyant ou poli pour acier inoxydable. Frottez toujours la surface dans la direction du grain. Suivez les instructions du fabricant du nettoyant pour acier inoxydable.

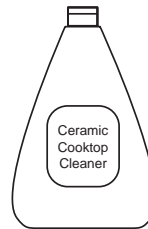
Pour vous renseigner sur l'achat de produits de nettoyage y compris ceux pour électroménagers en acier inoxydable, voyez les sections Accessoires et Soutien au consommateur.

Table de cuisson en verre

Pour entretenir et protéger la surface de votre table de cuisson, suivez les étapes suivantes :

1. Avant d'utiliser la table de cuisson pour la première fois, nettoyez-la avec un nettoyant pour table de cuisson en verre. Cela contribue à protéger le dessus et facilite le nettoyage.
2. L'utilisation régulière d'un nettoyant pour table de cuisson en verre aidera à conserver son aspect neuf.
3. Secouez bien le nettoyant en crème. Appliquez quelques gouttes du nettoyant directement sur la table de cuisson.
4. Utilisez une serviette en papier ou un tampon de nettoyage antirayures pour tables de cuisson en verre pour nettoyer toute la surface de la table de cuisson.
5. Utilisez un chiffon sec ou une serviette en papier pour enlever tous les résidus de nettoyage. Nul besoin de rincer.

REMARQUE : Il est très important de NE PAS chauffer la table de cuisson avant son nettoyage à fond.



Nettoyez votre table de cuisson après chaque débordement. Utilisez un nettoyant pour table de cuisson en verre.



Pour obtenir des vidéos et des instructions de nettoyage, numérisez le code QR avec votre appareil intelligent.

Résidus brûlés

REMARQUE : Vous pouvez ENDOMMAGER la surface en verre si vous utilisez des tampons à récurer différents de ceux recommandés.

1. Laissez la table de cuisson refroidir.
2. Étendez quelques gouttes de nettoyant pour table de cuisson en verre sur toute la zone des résidus brûlés.
3. À l'aide d'une éponge nettoyante antirayures pour table de cuisson en verre, frottez la zone des résidus en appliquant une pression au besoin.
4. S'il reste des résidus, répétez les étapes ci-dessus selon le besoin.

5. Pour une protection supplémentaire, une fois tous les résidus éliminés, polissez toute la surface avec un nettoyant pour table de cuisson en céramique et une serviette de papier.

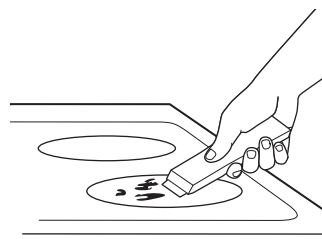


Utiliser un tampon de nettoyage antirayures pour tables de cuisson en verre.

Nettoyage de la table de cuisson

Résidus brûlés et récalcitrants

1. Laissez la table de cuisson refroidir.
2. Utilisez un grattoir à lame de rasoir à tranchant unique placé à 45° contre la surface et grattez la salissure. Il sera nécessaire d'appliquer une pression sur le grattoir pour retirer les résidus.
3. Après l'utilisation du grattoir à lame de rasoir, étendez quelques gouttes de nettoyant pour table de cuisson en verre sur toute la zone des résidus brûlés. Utilisez une éponge nettoyante antirayures pour retirer tout résidu restant.
4. Pour une protection supplémentaire, une fois tous les résidus éliminés, polissez toute la surface avec un nettoyant pour table de cuisson en céramique et une serviette de papier.



On peut se procurer un grattoir pour table de cuisson en verre et tous les produits recommandés dans notre Centre des pièces. Consultez les sections Accessoires et Soutien au consommateur.

REMARQUE : N'utilisez pas une lame émoussée ou ébréchée.

Traces et rayures métalliques

1. Veillez à ne pas faire glisser les casseroles et les poêlons sur votre table de cuisson. Ils laissent des marques métalliques sur la surface de la table de cuisson.
Vous pouvez faire disparaître ces marques avec un nettoyant pour table de cuisson en céramique et un tampon de nettoyage antirayures pour tables de cuisson en céramique.
2. Si vous laissez les récipients dotés d'une fine couche d'aluminium ou de cuivre bouillir à sec, le revêtement peut laisser une décoloration noire sur la table de cuisson.

Cette décoloration doit être nettoyée immédiatement avant de chauffer à nouveau, sinon elle peut être permanente.

REMARQUE : Vérifiez attentivement la rugosité du fond des récipients pour ne pas risquer de rayer la table de cuisson.

3. Évitez de placer des plaques de cuisson en aluminium ou des récipients d'aliments congelés en aluminium sur une table de cuisson chaude. Ils laissent des points ou des marques luisantes sur la surface de la table de cuisson. Ces marques sont permanentes et ne peuvent pas être nettoyées.

Dommages causés par des débordements sucrés et du plastique fondu

Lors de l'élimination de substances chaudes, il convient de prendre des précautions particulières pour éviter d'endommager définitivement la surface en verre. Les débordements sucrés, telles que gelées, fudge, bonbons, sirops, ou les plastiques fondus peuvent provoquer des piqûres sur la surface de la table de cuisson (non couverte par la garantie), à moins que le débordement ne soit éliminé alors qu'il est encore chaud. Faites particulièrement attention lors de l'élimination des substances chaudes.

Assurez-vous d'utiliser un racleur à lame de rasoir neuf et coupant.

N'utilisez pas une lame émoussée ou ébréchée.

1. Éteignez toutes les unités de surface. Retirez les récipients chauds.
2. Port d'une mitaine de four :
 - a. Utilisez un grattoir à lame de rasoir à un seul tranchant pour déplacer le débordement vers une zone froide de la table de cuisson.
 - b. Nettoyez le débordement avec des essuie-tout.

3. Tout débordement restant doit être laissé jusqu'à ce que la surface de la table de cuisson ait refroidi.

4. Ne réutilisez pas les unités de surface tant que tous les résidus n'ont pas été complètement éliminés.

REMARQUE : Si des piqûres ou des indentations se sont déjà produites sur la surface, le verre de la table de cuisson devra être remplacé. Dans ce cas, un appel de service sera nécessaire.

Instructions d'installation

Table de cuisson à gaz avec aspiration descendante PGP9830

? Pour toute question, composez le 800.GE.CARES ou visitez notre site Web sur : GEAppliances.com.

DANS L'ÉTAT DU MASSACHUSETTS :

- Le produit doit être installé par un plombier ou un monteur d'installations au gaz agréés.
- Si vous utilisez des robinets d'arrêt à bille, ils doivent être munis d'une poignée en « T ».
- Un raccord de gaz flexible, lorsqu'il est utilisé, ne doit pas dépasser 3 pieds (0,9 m).

▲ AVERTISSEMENT RISQUE D'INCENDIE OU D'EXPLOSION

Si les informations contenues dans ces instructions ne sont pas suivies exactement, un incendie ou une explosion peut entraîner des dommages matériels, des blessures ou la mort.

Toute réparation doit être effectuée par un installateur qualifié.

Veillez lire toutes ces instructions attentivement.

L'installation de ce produit doit être conforme aux codes locaux ou, en l'absence de codes locaux, au National Fuel Gas Code, ANSI Z223,1/NFPA 54, dernière édition. Au Canada, l'installation doit être conforme au Code d'installation actuel du gaz naturel et du propane, CSA B149.1, et aux codes locaux, le cas échéant. Ce produit a été certifié par UL conformément à la norme ANSI Z21.1/CSA 1.1, dernière édition.

Lors de l'installation d'un électroménager au gaz, l'utilisation de vieux raccords flexibles peut causer des fuites de gaz et des blessures corporelles. Utilisez toujours un raccord flexible NEUF.

Les tests d'étanchéité de l'électroménager doivent être effectués selon les instructions du fabricant.

N'installez pas ce produit avec une hotte à rideau d'air ou une autre hotte qui fonctionne en soufflant de l'air sur la table de cuisson. Cette projection d'air peut gêner le fonctionnement des brûleurs au gaz et poser un risque d'incendie ou d'explosion.

▲ AVERTISSEMENT

Avant de commencer l'installation, coupez le courant au panneau de distribution électrique et verrouillez le dispositif de sectionnement pour éviter tout rétablissement accidentel du courant. Si vous ne pouvez pas verrouiller le dispositif de sectionnement, attachez solidement un avertissement bien visible (p.ex. une étiquette) sur le panneau de distribution électrique.

▲ AVERTISSEMENT

Pour réduire le risque d'incendie, utilisez uniquement des conduits métalliques.

POUR VOTRE SÉCURITÉ

Si vous sentez une odeur de gaz :

1. Ouvrez les fenêtres.
2. Ne touchez pas les interrupteurs électriques.
3. Éteignez toute flamme nue.
4. Appelez immédiatement votre fournisseur de gaz.

N'entreposez pas et n'utilisez pas d'essence ou d'autres vapeurs ou liquides inflammables à proximité de cet appareil ou de tout autre appareil.

Instructions d'installation

AVANT DE COMMENCER

Veillez lire toutes ces instructions attentivement.

- **IMPORTANT** — Conservez ces instructions à l'usage de l'inspecteur local.
- **IMPORTANT** — Observez tous les codes et décrets en vigueur
- **IMPORTANT** — Retirez tout le matériel d'emballage et la documentation avant de raccorder le gaz et l'électricité à la table de cuisson.
- **IMPORTANT** — Pour éviter d'endommager vos armoires, vérifiez auprès de votre entrepreneur ou votre fournisseur d'armoires que les matériaux utilisés ne se décolorent pas, ne se délaminent pas et ne sont pas endommagés. La conception de ce produit a été réalisée conformément aux exigences des organismes de certification UL et CSA International relatives à une température maximale admissible de 194°F (90°C) pour les armoires en bois.
- **Note à l'installateur** – Assurez-vous de laisser ces instructions au consommateur.
- **Note au consommateur** - Conservez ces instructions pour consultation ultérieure.
- **Technicien en réparation** – Le schéma électrique se trouve à l'intérieur de la table de cuisson.
- L'exactitude de l'installation est la responsabilité de l'installateur.
- La garantie ne couvre pas les défauts du produit causés par une installation inadéquate.

Maisons mobiles - Exigences d'installation supplémentaires

Aux États-Unis, l'installation de ce produit doit satisfaire la norme suivante : Manufactured Home Construction and Safety Standard, Title 24 CFR, Part 3280 (auparavant : Federal Standard for Mobile Home Construction and Safety, Title 24, HUD Part 280). Lorsque cette norme n'est pas applicable, utilisez celle-ci : Standard for Manufactured Home Installations, ANSI A225.1/NFPA 501A, ou avec les codes locaux.

Au Canada, l'installation de ce produit doit satisfaire les normes en vigueur sous CAN/CSA-A240, dernière édition, ou avec les codes locaux.

Lorsque cette table de cuisson est installée dans une maison mobile, elle doit être fixée durant le transport. Toute méthode de fixation de la table de cuisson est correcte pourvu qu'elle satisfasse les normes énumérées ci-dessus.

Caravanes de parc - Exigences d'installation supplémentaires

Aux États-Unis, l'installation de ce produit doit être conforme aux codes locaux et à ceux des États, ou en l'absence de tels codes, à la norme suivante : Standard for Recreational Park Trailers, ANSO A119.5.

OUTILS DONT VOUS AUREZ BESOIN

- Lunettes de protection
- Scie
- Crayon
- Ruban ou règle à mesurer
- Équerre
- Clé à tuyau
- Clé réglable ou jeu de douilles (cliquet et douille 7/16 po)
- Perceuse et forets
- Tournevis à douille 1/4 po
- Tournevis à lame plate

MATÉRIEL POUVANT S'AVÉRER NÉCESSAIRE

- Ruban à conduits
- Vis à tôle
- Réseau de conduits pour convenir à l'application
- Robinet d'arrêt manuel pour la conduite de gaz
- Produit d'étanchéité pour joints de tuyaux ou ruban de filetage de tuyaux approuvé UL avec Teflon® qui résiste à l'action des gaz naturel et propane
- Raccord métallique flexible pour électroménager (1/2 ou 3/4 po D.I.) lorsque les codes locaux le permettent Une longueur de 5 pi (1,5 m) est recommandée pour faciliter l'installation mais d'autres longueurs sont acceptables N'utilisez jamais un raccord usagé lorsque vous installez une table de cuisson neuve.
- Raccord union évasé pour raccordement à la conduite d'alimentation en gaz (3/4 ou 1/2 po NPT x 1/2 po D.I.)
- Raccord union évasé pour raccordement au régulateur de pression sur la table de cuisson (1/2 po NPT x 1/2 po D.I.)
- Détecteur de fuite liquide ou eau savonneuse

TROUSSE DE CONVERSION AVEC ORIFICE HAUTE ALTITUDE

Pour utilisation de la table de cuisson à des altitudes supérieures à 5000 (1500 m).

Spécifiez la trousse pour le gaz naturel ou le GPL lors de la commande :

Trousse de conversion avec orifice haute altitude pour gaz naturel WB28X10114

Trousse de conversion avec orifice haute altitude pour GPL. WB28X10115

Pour commander, veuillez visiter notre site Web à geappliances.com/parts ou appelez notre numéro sans frais : **Centre national des pièces. 800,626. 2002**

DÉCOUPAGE DU COMPTOIR

Si vous installez la table de cuisson dans un matériau de surface solide tel que le granite, le quartz ou toute autre surface solide naturelle ou synthétique, nous vous recommandons de faire préparer la découpe par un installateur professionnel d'armoires ou de comptoirs.

Les découpes de table de cuisson dans des comptoirs en bois ou en bois stratifié peuvent être préparées à l'aide d'une scie sauteuse et d'une perceuse électrique.

Instructions d'installation

CONSIGNES DE SÉCURITÉ IMPORTANTES

La conception de la table de cuisson a été certifiée par Underwriters Laboratories (UL). Comme pour tout appareil utilisant du gaz et générant de la chaleur, vous devez respecter certaines précautions.

- Assurez-vous que votre table de cuisson est correctement installé par un installateur ou un technicien qualifiés.
- La table de cuisson doit être mise à la terre conformément aux codes locaux ou, en leur absence, au National Electrical Code ANSI/NFPA no 70 ou au Code canadien de l'électricité CSA C22,1-02.
- Une installation, un réglage, une modification, une réparation ou un entretien incorrects peuvent causer des blessures ou des dommages matériels. Reportez-vous à ce manuel. Pour obtenir de l'aide ou des renseignements supplémentaires, consultez un installateur qualifié, un organisme de service, un fabricant (concessionnaire) ou le fournisseur de gaz.
- Débranchez l'alimentation électrique avant une réparation ou un entretien.
- Ne réutilisez jamais les anciens raccords flexibles. L'utilisation d'anciens raccords flexibles peut provoquer des fuites de gaz et des blessures. Utilisez toujours des raccords flexibles NEUFS lors de l'installation d'un appareil à gaz.

- Assurez-vous que les revêtements muraux autour de la table de cuisson peuvent résister à la chaleur générée par la table de cuisson jusqu'à 200 °F.
- Évitez de placer des armoires au-dessus de la table de cuisson.
- Si les armoires sont placées au-dessus de la table de cuisson, laissez un espace minimum de 30 po entre la surface de cuisson et le bas des armoires non protégées.
- Si les armoires sont placées au-dessus de la table de cuisson, n'utilisez pas des armoires de plus de 13 po de profondeur.
- Si un dégagement de 30 po entre la surface de cuisson et les matériaux combustibles ou les armoires métalliques ne peut pas être maintenu, protégez le dessous des armoires au-dessus de la table de cuisson avec un carton à l'enrouleuse (millboard) isolant d'au moins 1/4 po d'épaisseur ou d'un panneau de plâtre d'au moins 3/16 po d'épaisseur recouvert de tôle d'acier de calibre 28 ou de cuivre de 0,020 po d'épaisseur.
- Le dégagement entre la surface de cuisson et les armoires protégées **NE DOIT JAMAIS ÊTRE INFÉRIEUR** à 24". La distance verticale entre le plan de la surface de cuisson et le bas des armoires suspendues adjacentes s'étendant à moins de 1 po du plan des côtés de la table de cuisson ne doit pas être inférieure à 18 po.

VALEURS NOMINALES DU VENTILATEUR D'ASPIRATION

▲ AVERTISSEMENT AVERTISSEMENT DE SÉCURITÉ CONCERNANT LA SOUFFLANTE D'ASPIRATION

Un débit d'air suffisant est nécessaire pour assurer une combustion adéquate et l'évacuation des gaz par le conduit d'évacuation (cheminée) de l'équipement de combustion afin d'éviter tout retour d'air. Suivez les directives et les normes de sécurité du fabricant de l'équipement de chauffage, telles que celles publiées par la National Fire protection Association (NFPA), l'American Society for Heating, Refrigeration and Air Conditioning Engineers (ASHRAE) et les autorités locales. Lorsqu'il y a lieu, installez un système d'air d'appoint en conformité avec les prescriptions du code du bâtiment local. Visitez GEAppliances.com pour les solutions offertes en matière d'air d'appoint.A

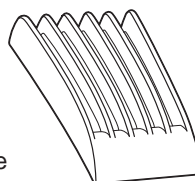
Instructions d'installation

PIÈCES INCLUSES

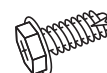
Vérifiez que tout le matériel et le ruban d'emballage ont été enlevés. Cela comprend du ruban sur les boutons de commande (le cas échéant), du ruban adhésif, des attaches de câble, du carton et du plastique de protection. Si vous ne retirez pas ces matières, vous risquez d'endommager l'appareil une fois celui-ci allumé et les surfaces réchauffées.



Crème de nettoyage



Grille d'évent

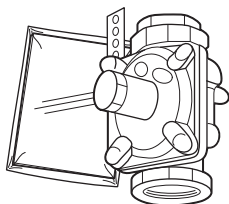


Vis à tôle (9)
(8-18 x 3/8")

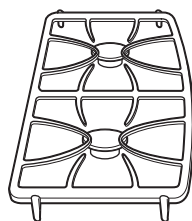


ATTENTION
NE SOULEVEZ PAS LA VITRE PAR L'OUVERTURE DE L'ÉVENT OU LA BOSSE EN VERRE

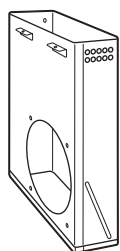
ATTENTION
LE VERRE EST FRAGILE
NE HEURTEZ PAS LE BORD DU VERRE PENDANT L'INSTALLATION



Régulateur



Grille de brûleur (2)

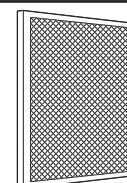
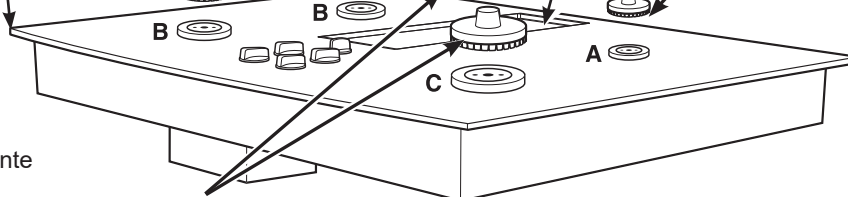


Plénum de la soufflante

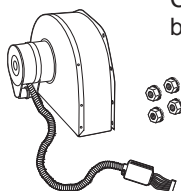
Chapeaux et têtes de brûleur



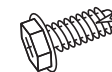
Chapeau et tête de brûleur



Filtre d'évent

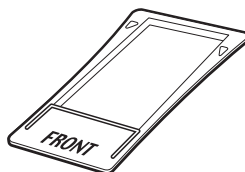


Chapeau et tête de brûleur

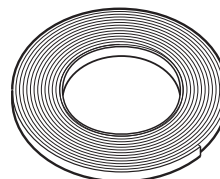


Vis à tôle (2)
(10-16 x 1/2 po)

Ensemble soufflante et quatre écrous de montage (Écrous Keps 10-32 [écrous avec rondelles freins attachées])



Joint de grille d'évent



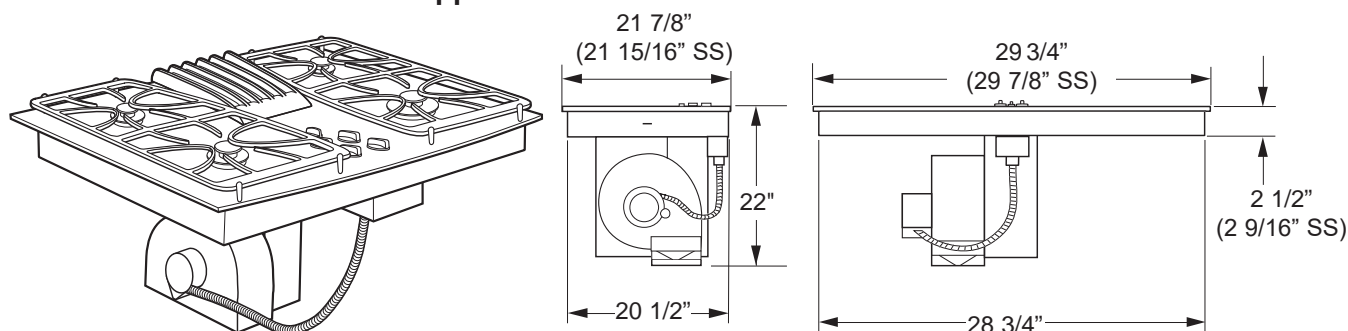
Joint d'étanchéité en mousse



Supports de retenue (2)

TABLE DE CUISSON DE 30 POUCHES (DIMENSIONS À TITRE DE RÉFÉRENCE SEULEMENT)

Appareil illustré entièrement assemblé.



L'appareil doit être ventilé à l'extérieur!

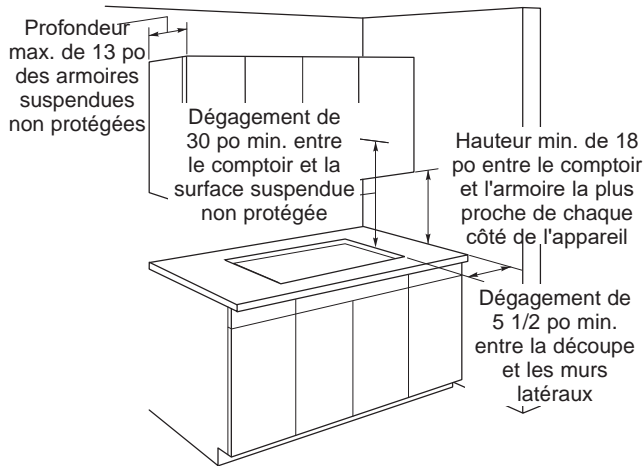
PRÉPARATION DE L'INSTALLATION

1. PRÉPARATION POUR L'INSTALLATION

Placement de la table de cuisson

La table de cuisson est conçue pour paraître mieux si elle est centrée dans une armoire d'au moins 30 po de large.

L'évent d'évacuation situé sous la table de cuisson doit être placé entre les montants muraux ou les solives de plancher pour que les conduits puissent être installés correctement.



Le système d'aspiration descendante avec soufflante, moteur et conduits occupera l'armoire sous la table de cuisson. Des tiroirs ne peuvent pas être installés sous cette table de cuisson.

Évitez de placer les armoires au-dessus de la table de cuisson, si possible, afin de réduire les risques liés à l'accès au-dessus de surfaces chauffées.

Si une armoire est utilisée au-dessus de la table de cuisson, laissez un dégagement de 30 po minimum entre la surface de cuisson et le bas de l'armoire non protégée.

Si le dégagement entre la table de cuisson et l'armoire est inférieur à 30 po, le bas de l'armoire doit être protégé par du carton à l'enrouleuse (millboard) ignifuge d'au moins 1/4 po d'épaisseur, ou une plaque de plâtre d'au moins 3/16 po d'épaisseur, recouverte d'une tôle d'acier de calibre 28 ou de cuivre de 0,020 po d'épaisseur.

Le dégagement entre la table de cuisson et l'armoire protégée **NE DOIT JAMAIS ÊTRE INFÉRIEUR À 24 po.**

EXCEPTION : L'installation d'un four à micro-ondes ou d'un appareil de cuisson homologués au-dessus de la table de cuisson doit être conforme aux instructions d'installation fournies avec l'appareil.

Les zones de travail adjacentes à la table de cuisson doivent avoir un dégagement minimal de 18 po entre le comptoir et le bas de l'armoire. Si le dégagement est inférieur à 18 po, les armoires adjacentes doivent se trouver à au moins 5 po du bord latéral de la table de cuisson.

2. PRÉPARATION DE L'ARMOIRE DE BASE

Cette table de cuisson est conçue pour s'adapter facilement à une grande variété d'armoires. Cependant, l'installation combinée d'un évent à aspiration descendante et d'une table de cuisson nécessite une attention particulière.

Certaines armoires peuvent nécessiter des modifications.

Cette installation nécessite une armoire de base de 24 pouces de profondeur minimum.

L'armoire doit avoir une largeur d'au moins 30 po.

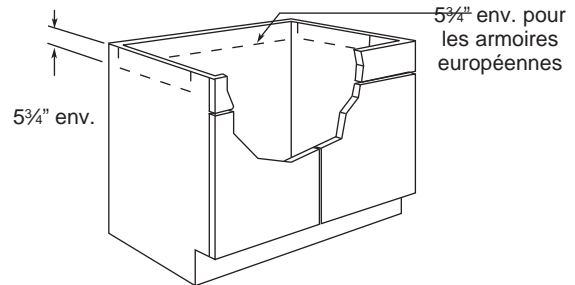
Préparation d'une armoire contre un mur

Dans certaines armoires, il peut être nécessaire de couper les côtés de 5 3/4 po comme illustré, et de retirer les équerres d'angle pour accueillir l'appareil.

Dans les armoires européennes sans cadre de 75 cm et 90 cm, le panneau arrière peut avoir besoin d'être découpé de 5 3/4 po pour accueillir l'appareil.

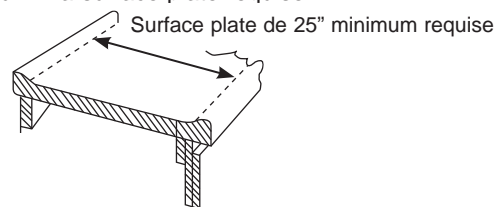
Préparation d'une armoire de type péninsule ou îlot

Dans une armoire de type péninsule ou îlot armoires, il peut être nécessaire de couper les côtés et de retirer les équerres d'angle pour accueillir l'appareil.



3. PRÉPARATION DU COMPTOIR

Le comptoir doit avoir une surface plane et profonde pour accueillir la table de cuisson et l'évent. Les comptoirs dotés d'un bord avant roulé et d'un dossier peuvent ne pas fournir la surface plate requise.



Une zone plate de 1/2 po de large est nécessaire autour du bord de l'ouverture pour soutenir l'appareil. La table de cuisson doit être de niveau et d'équerre dans l'ouverture du comptoir.

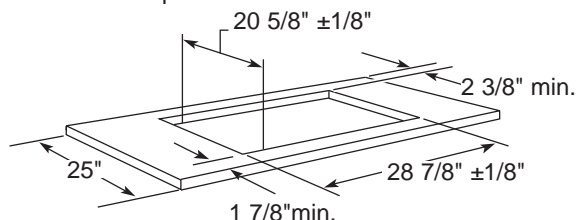
Instructions d'installation

PRÉPARATION DE L'INSTALLATION (suite)

3. PRÉPARATION DU COMPTOIR (suite)

Découpez avec soin l'ouverture du comptoir selon les dimensions indiquées sur l'illustration. Assurez-vous que l'ouverture est coupée d'équerre, avec les côtés parallèles les uns par rapport aux autres et l'arrière exactement perpendiculaire aux côtés.

Pour une installation en îlot, maintenez un minimum de 1 7/8 po entre la découpe et le bord avant; un minimum de 2 3/8 po entre la découpe et le bord arrière; et un minimum de 5 1/2 po entre la découpe et les bords latéraux du comptoir.

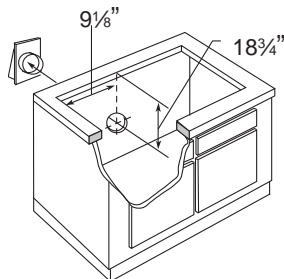


4. PRÉPARATION POUR LES CONDUITS

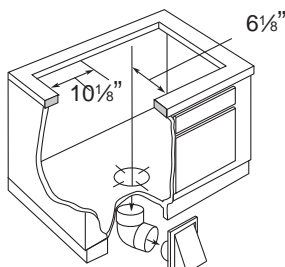
REMARQUE : Les conduits DOIVENT être ventilés vers l'extérieur. NE ventilez pas dans un mur, un plafond, un vide sanitaire, un grenier ou tout autre espace dissimulé.

Découpez le trou dans la paroi ou le plancher de l'armoire selon les besoins de votre installation. Assurez-vous que le conduit d'évacuation est situé entre les montants muraux ou les solives de plancher.

REMARQUE : Lors de la découpe ou du perçage dans un mur ou un plafond, veillez à ne pas endommager le câblage électrique et les autres installations cachées. Assurez-vous que toutes les ouvertures ou découpes dans le mur derrière l'appareil et dans le sol sous l'appareil sont correctement scellées.



Ventilation par le mur arrière



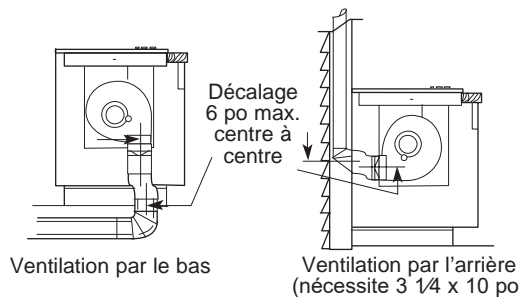
Ventilation par le bas

5. ALIGNEMENT DE LA SOUFFLANTE SUR LES CONDUITS

En général, l'utilisation de conduits flexibles est déconseillée car elle peut restreindre la circulation d'air de beaucoup. Toutefois, si la sortie de la soufflante et l'orientation du conduit au sol ou au mur ne sont PAS bien alignés, alors des conduits métalliques flexibles peuvent être utilisés pour s'adapter au décalage. Un bon alignement sans utilisation de conduits flexibles est préférable.

REMARQUE :

- Ne dépassez pas le décalage maximal recommandé de 6 po.
- Ne laissez pas les conduits flexibles se tordre ou s'effondrer.
- Étirez les conduits flexibles le plus possible pour éliminer le plus d'ondulations possible.



Ventilation par le bas

Ventilation par l'arrière
(nécessite 3 1/4 x 10 po)

Un conduit de transition rectangulaire (3 1/4 x 10 po) à rond (6 po) est disponible dans votre magasin de matériaux de construction.

REMARQUE : Les illustrations sont fournies à des fins de planification seulement.

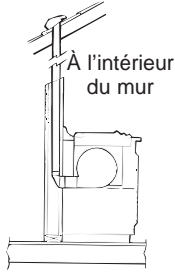
PRÉPARATION DE L'INSTALLATION (suite)

6. PRÉPARATION POUR LES CONDUITS

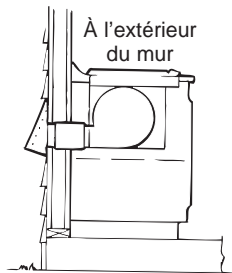
Déterminez le meilleur chemin pour les conduits; il peut être acheminé de différentes manières selon l'aménagement de la cuisine.

IMPORTANT : La sortie d'évacuation de l'air pour cet appareil est rectangulaire (3 1/4 x 10 po). Planifiez les conduits en conséquence.

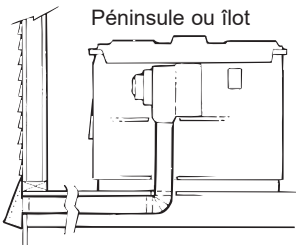
Configurations typiques des conduits :



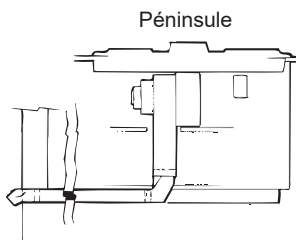
À l'intérieur du mur jusqu'au toit ou au surplomb



Directement à l'extérieur



Entre les solives de plancher



Dans le retrait de l'armoire

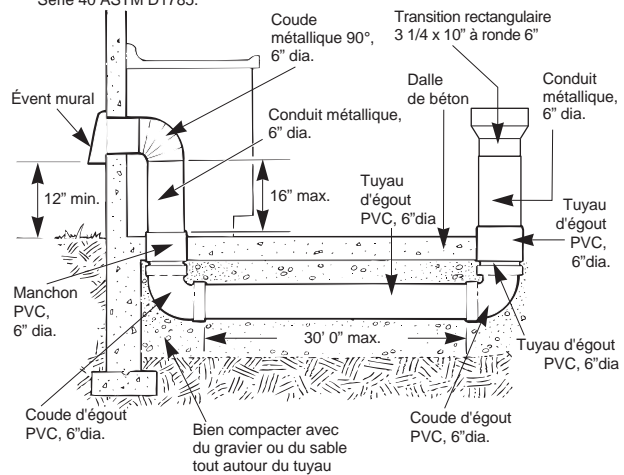
Pour maximiser le rendement de la ventilation :

1. Minimisez la longueur du chemin de conduits et le nombre des transitions et des coudes.
2. Maintenez une taille de conduits uniforme.
3. Scellez tous les joints avec du ruban à conduits pour empêcher les fuites.
4. N'utilisez aucun type de conduit flexible.

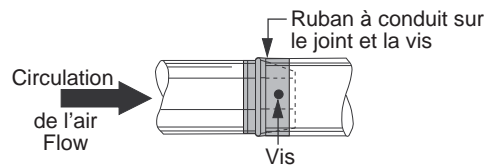
Si nécessaire, installez un système d'air d'appoint en conformité avec les prescriptions du code du bâtiment local. Visitez GEAppliances.com pour les solutions offertes en matière d'air d'appoint.

- Disposition de conduits facultative sous la dalle de béton. Un conduit en PVC doit être utilisé pour une installation sous une dalle de béton coulé.

REMARQUE: Tuyau d'égoût en PVC type PSM 12454-B Série 40 ASTM D1785.



- Installez les conduits de façon que le conduit le plus proche de l'appareil s'insère DANS le conduit suivant. Fixez les joints à l'aide de vis autotaraudeuses et appliquez du ruban à conduit autour des joints pour assurer une étanchéité à l'air.



Instructions d'installation

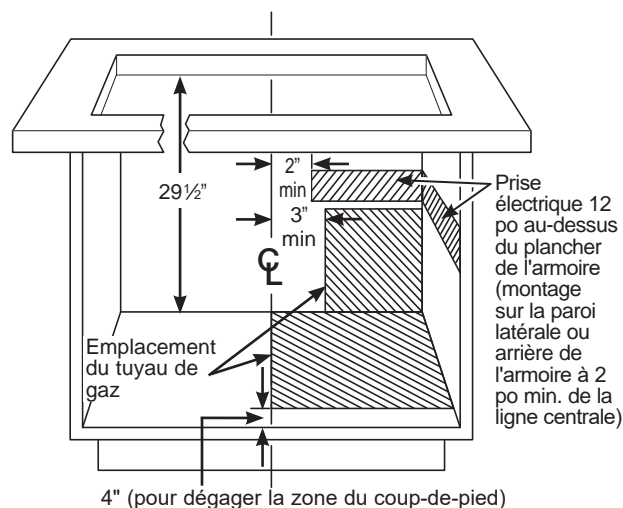
PRÉPARATION DE L'INSTALLATION (suite)

7. ALIMENTATION EN GAZ

Ces tables de cuisson sont conçues pour fonctionner au gaz naturel à une pression de colonne d'eau de 4 po, ou au GPL (gaz de pétrole liquéfié) à une pression de colonne d'eau de 10 po.

- Ces tables de cuisson sont déjà réglées pour le gaz naturel lorsqu'elles sont expédiées. Si vous décidez d'utiliser cette table de cuisson avec du GPL, les réglages de conversion doivent être effectués par un technicien agréé ou une autre personne qualifiée.
 - Le régulateur de pression doit être connecté en série avec le collecteur de la table de cuisson et doit rester en série avec la ligne d'alimentation, quel que soit le type de gaz utilisé.
 - Pour un fonctionnement correct, la pression d'entrée maximale du régulateur ne doit pas dépasser 10 po de pression de colonne d'eau pour le gaz naturel, et 14 po de pression de colonne d'eau pour le GPL.
 - Lors de la vérification du régulateur, la pression d'entrée doit être d'au moins 1 po supérieure au réglage de sortie du régulateur. Si le régulateur est réglé sur 4 po de pression de la colonne d'eau, la pression d'entrée doit être d'au moins 5 po. Si le régulateur est réglé sur 10 po de pression de la colonne d'eau, la pression d'entrée doit être d'au moins 11 po. Pour faciliter l'installation, et si les codes locaux le permettent, le tuyau d'alimentation en gaz dans la table de cuisson doit être un connecteur métallique flexible pour électroménager de trois à cinq pieds de long, et d'un diamètre intérieur de 1/2 ou 3/4 po.
 - Si vous n'êtes pas certain de la pression d'entrée, contactez votre fournisseur de gaz local.
- REMARQUE :** Achetez un connecteur flexible neuf. N'UTILISEZ PAS UNE ANCIENNE LIGNE PRÉCÉDEMMENT UTILISÉE.
- Effectuez un raccordement au gaz par la paroi arrière ou sur le fond de l'armoire à l'arrière, comme illustré.

8. ALIMENTATION ÉLECTRIQUE



La table de cuisson à gaz avec aspiration descendante intégrée est dotée d'un système d'allumage électrique sans pilote pour des économies d'énergie et une grande fiabilité. Elle fonctionne sur une alimentation de 120 volts, 60 Hz. Un circuit séparé, protégé par un fusible temporisé de 15 A ou un disjoncteur, est nécessaire.

- Une prise à 3 broches correctement mise à la terre doit être située à portée du cordon d'alimentation de quatre pieds de la table de cuisson.

IMPORTANT : (Veuillez lire attentivement.) POUR VOTRE SÉCURITÉ, CET APPAREIL DOIT ÊTRE MIS À LA TERRE CORRECTEMENT.

Le cordon électrique de cet appareil est muni d'une fiche à trois broches (mise à la terre) correspondant à une prise murale à trois broches standard (mise à la terre) afin de réduire le risque de choc électrique depuis l'appareil. Le client devrait faire vérifier la prise murale et le circuit électrique par un électricien agréé pour s'assurer de leur mise à la terre et leur polarité adéquates.

Lorsqu'une prise murale standard à deux broches est présente, il est de la responsabilité personnelle et de l'obligation du client de la faire remplacer par une prise murale à trois broches correctement mise à la terre.

En aucun cas, vous ne devez couper ou retirer la troisième broche (de terre) du cordon d'alimentation.

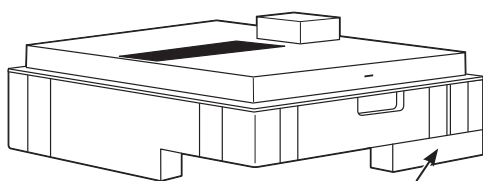
N'utilisez pas un cordon de rallonge.

INSTALLATION DE LA TABLE DE CUISSON

9. INSTALLATION DU JOINT D'ÉTANCHÉITÉ EN MOUSSE

N'installez pas la table de cuisson dans le comptoir sans installer le joint d'étanchéité en mousse comme illustré. Il protège du comptoir le bord inférieur du verre ainsi que la table de cuisson contre les éclaboussures.

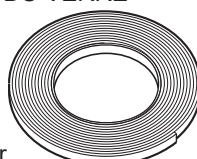
Retirez la table de cuisson de même que son coussinet d'expédition de la boîte d'emballage. Retirez le bloc d'expédition de l'ouverture de l'évent à aspiration descendante et placez-le sous le coussinet d'expédition pour fournir un support de niveau.



Bloc d'expédition de l'évent central – Placez-le sous le coussinet d'expédition pour fournir un support de niveau

ATTENTION LA VITROCÉRAMIQUE EST FRAGILE NE HEURTEZ PAS LE BORD DU VERRE PENDANT L'INSTALLATION

Repérez le joint d'étanchéité en mousse fourni avec la table de cuisson.

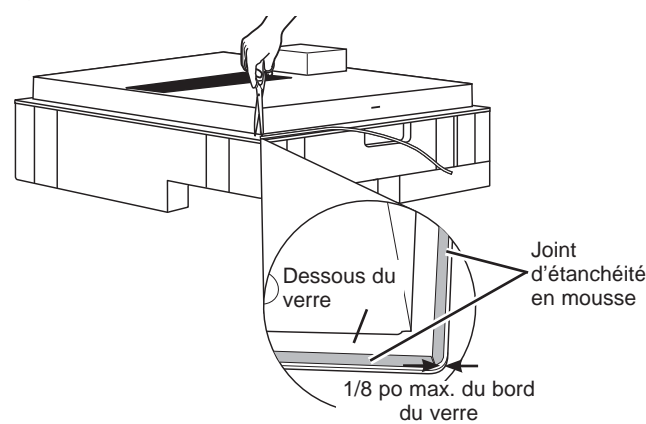


Lissez les bords rugueux de la découpe.

Retirez la doublure blanche pour apposer le joint d'étanchéité en mousse sur la face inférieure du verre de la table de cuisson.

Remarques sur l'installation du joint d'étanchéité en mousse :

- Le joint en mousse doit être installé à moins de 1/8 po du bord du verre. Abstenez-vous d'étirer ou de tordre le joint en mousse.



ATTENTION Le défaut d'installer le joint d'étanchéité en mousse augmente considérablement le risque de briser le verre de la table de cuisson lors de l'installation, en particulier dans les comptoirs en Corian® ou en granite.

9. INSTALLATION DU JOINT D'ÉTANCHÉITÉ EN MOUSSE (suite)

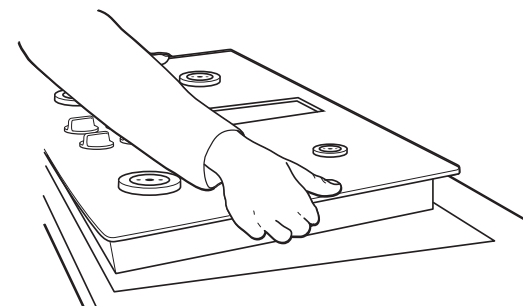
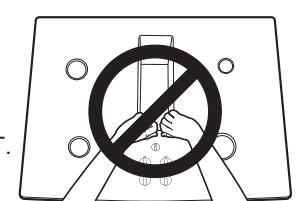
- Prenez soin de ne pas étirer le joint en mousse lorsqu'il est installé, sinon il ne restera pas en place.
- Ne placez pas le joint en mousse sur les rebords métalliques.
- Mais le joint en mousse se termine ensemble à chaque coin sans se chevaucher.
- Coupez le joint en mousse à la longueur nécessaire sans l'étirer.
- Découper légèrement les coins extérieurs du joint en mousse si nécessaire pour l'apparence.
- Ne rayez pas le verre en coupant le joint en mousse.

10. INSTALLATION DE LA TABLE DE CUISSON

ATTENTION

NE SOULEVEZ PAS PAR L'OUVERTURE DE L'ÉVENT.

Soulevez la table de cuisson par les bords latéraux en verre, comme illustré.



A. Repérez la prise électrique et le robinet d'arrêt du gaz en-dessous de l'armoire. **REMARQUE :** N'utilisez pas l'ouverture de l'évent du dessus en verre pour soulever ou déplacer la table de cuisson.

B. Insérez la table de cuisson en la centrant dans la découpe. **REMARQUE :** N'utilisez pas l'ouverture de l'évent du dessus en verre pour soulever ou déplacer la table de cuisson en place.

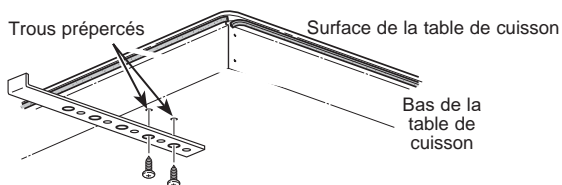
Le verre est fragile, ne le laissez pas tomber sur le comptoir. Supportez par le dessous et abaissez lentement. Retirez avec précaution vos doigts un coin à la fois pour abaisser la table de cuisson en position.

Installation Instructions d'installation

INSTALLATION DE LA TABLE DE CUISSON (suite)

10. INSTALLATION DE LA TABLE DE CUISSON (suite)

- C. Assurez-vous que la table de cuisson est parallèle au bord avant du comptoir. Vérifiez une dernière fois que tous les dégagements sont respectés.
- D. Repérez et retirez les supports de fixation de la trousse d'installation.
- E. Fixez les supports sur la table de cuisson. Retirez les vis de fixation dans le bas de la table de cuisson. Répétez de l'autre côté de la table de cuisson.
- F. Vissez le support de fixation dans les côtés de l'armoire pour bien fixer la table de cuisson.



Autre méthode d'installation :

Vous pouvez commander l'autre trousse d'installation WB01X24570 avec écrous à oreilles et supports en appelant le 800.GE.CARES. Voyez le schéma pour les instructions.

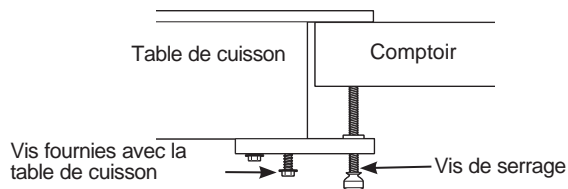
Pour installer les supports d'installation en option :

Retirez 2 vis des deux côtés sous la table de cuisson.

Alignez le support d'installation en option sous la table de cuisson et réinstallez les vis dans la fente du support. Procédez ainsi des deux côtés de la table de cuisson.

Vissez la vis de serrage dans le trou du support et serrez-la pour fixer la table de cuisson au comptoir.

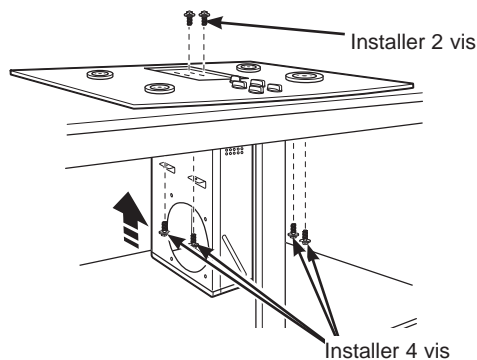
Répétez la manœuvre de l'autre côté.



IMPORTANT : Tournez la vis de serrage jusqu'à ce qu'elle touche le bas du comptoir. Ne serrez pas excessivement.

11. INSTALLATION DU PLÉNUM DE SOUFFLANTE SUR LA TABLE DE CUISSON

Faites glisser le plénum, avec l'ouverture de la soufflante sur la gauche, dans l'ouverture située au bas de la table de cuisson. Poussez le plénum vers le haut jusqu'à ce que les butées du plénum entrent en contact avec le bas de la table de cuisson, puis enclenchez le plénum. (Vous devrez peut-être déplacer le plénum d'avant en arrière pour le mettre en place.)



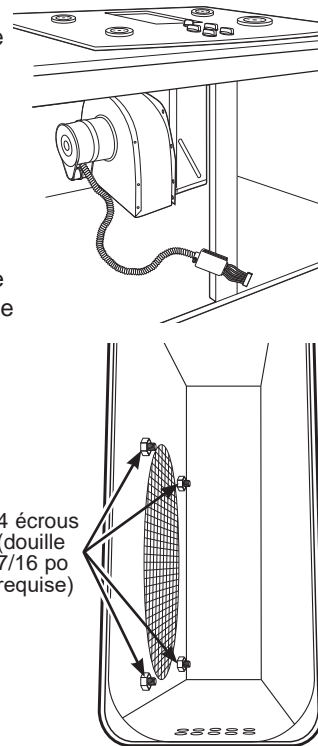
Fixez le plénum sur le bas de la table de cuisson, de chaque côté, à l'aide des quatre (4) vis fournies. Fixez davantage le plénum sur la table de cuisson, par le dessus, à l'aide des deux vis (2) fournies.

12. INSTALLATION DE LA SOUFFLANTE SUR LE PLÉNUM

Orientez l'ouverture d'évacuation de la soufflante pour l'adapter aux conduits des Étapes 5 et 6. Faites glisser les quatre goujons filetés sur le côté du boîtier de la soufflante dans les quatre trous sur le côté du plénum.

REMARQUE : Voyez l'étape 13 pour installer le conduit de transition sur la soufflante. Il peut être plus facile d'installer le conduit de transition sur la soufflante avant d'installer la soufflante sur le plénum.

Depuis l'ouverture d'évent située sur le dessus de la table de cuisson, fixez solidement la soufflante au plénum à l'aide de quatre (4) écrous. Serrez au couple de 25±5 po/lb.

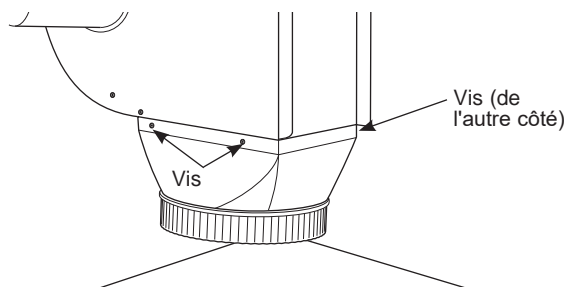


Instructions d'installation

INSTALLATION DE LA TABLE DE CUISSON (suite)

13. FIXATION D'UN CONDUIT DE TRANSITION DE SOUFFLANTE

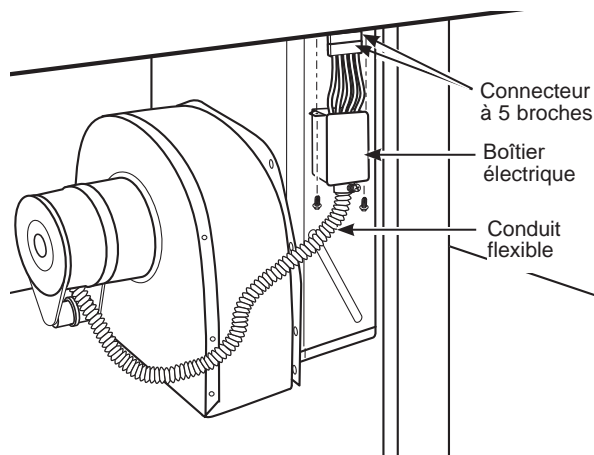
Utilisez un conduit de transition de soufflante pour toutes les installations de conduits avec aspiration descendante pour le raccordement de conduits ronds standard de 6 po. Ce conduit de transition rectangulaire (3 1/4 x 10 po) à rond (6 po) est disponible dans votre magasin de matériaux de construction.



Installez le conduit de transition sur la sortie de la soufflante. Fixez tous les joints avec du ruban à conduits afin d'assurer une étanchéité à l'air.

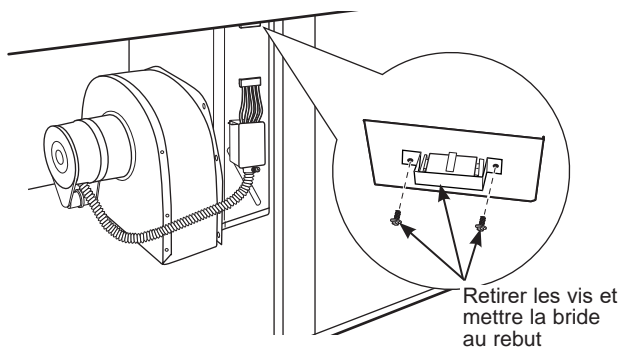
15. CONNEXIONS ÉLECTRIQUES DE LA SOUFFLANTE (suite)

- Pliez tous les fils dans le boîtier électrique. Fixez le boîtier à l'aide des vis retirées précédemment, en vous assurant qu'aucun fil n'est coincé.

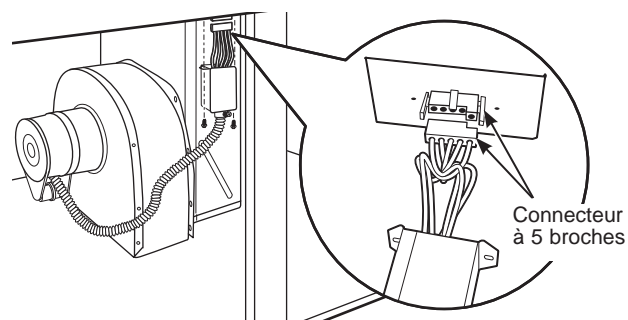


14. CONNEXIONS ÉLECTRIQUES DE LA SOUFFLANTE

- Desserrez les deux vis, puis retirez et jetez la bride en tôle recouvrant le connecteur à 5 broches situé au bas de la table de cuisson. Conservez les vis pour les réinstaller ultérieurement.



- Branchez la fiche à 5 broches de la soufflante sur la prise à 5 broches correspondante située au bas de la table de cuisson.



16. CONNEXION DES CONDUITS

Connectez les conduits préparés aux étapes 5 et 6 sur la soufflante.

Instructions d'installation

INSTALLATION DE LA TABLE DE CUISSON (suite)

17. INSTALLATION DU RÉGULATEUR DE PRESSION

⚠ AVERTISSEMENT RISQUE D'EXPLOSION :

Ne dépassez pas un couple de 25 pi-lb lors des raccordements de la conduite de gaz. Un serrage excessif peut fissurer le régulateur de pression et poser un risque d'incendie ou d'explosion.

- Vous devez utiliser le régulateur de pression de gaz fourni avec cette table de cuisson.
 - Fermez le robinet de gaz principal avant de débrancher l'ancienne table de cuisson et laissez-le fermé jusqu'à ce que le nouveau raccordement soit terminé. N'oubliez pas de rallumer la veilleuse des autres appareils à gaz lorsque vous rétablirez l'alimentation en gaz.
 - Pour toutes les connexions, utilisez un produit d'étanchéité pour tuyaux qui satisfait les codes locaux et résiste à l'action du GPL.
 - Installez le régulateur de pression sur la conduite de gaz le plus près possible de l'entrée de la table de cuisson pour permettre l'espace nécessaire à la conduite de ventilation.
 - Assurez-vous que la flèche sur le corps du régulateur pointe vers le haut et vers la table de cuisson. Toute autre position aura un impact sur la pression de sortie du régulateur. Cette flèche indique la circulation correcte du gaz.
 - Installez un robinet d'arrêt manuel du gaz dans un endroit facilement accessible.
- REMARQUE :** Au lieu d'utiliser un tuyau rigide pour connecter le régulateur de pression, un connecteur métallique flexible approuvé pour électroménager peut être utilisé entre le robinet d'arrêt et le régulateur de pression, si les codes locaux le permettent.
- Si un tuyau rigide est utilisé, vous devez aligner soigneusement le tuyau. La table de cuisson ne peut pas être déplacée une fois la connexion établie.
 - Des écrous évasés et des adaptateurs appropriés sont nécessaires à chaque extrémité du connecteur flexible.

TESTS DE VÉRIFICATION DES FUITES

⚠ AVERTISSEMENT N'UTILISEZ PAS DE FLAMME

POUR VÉRIFIER L'ABSENCE DE FUITES DE GAZ!

N'utilisez pas la table de cuisson tant que toutes les connexions n'ont pas été testées.

Effectuez le test d'étanchéité en suivant les instructions suivantes :

1. Achetez un détecteur de fuite liquide ou préparez une solution savonneuse contenant une partie d'eau, une partie de détergent liquide.
2. Une fois toutes les connexions effectuées, assurez-vous que toutes les commandes de la table de cuisson sont tournées à la position OFF (arrêt) et le robinet de gaz tourné sur ON (marche).
3. Appliquez le détecteur de fuite liquide ou la solution savonneuse autour de toutes les connexions entre le robinet d'arrêt et la table de cuisson.
4. Une fuite est identifiée par un flux de bulles provenant de la zone de la fuite.
5. Si une fuite est détectée, fermez le robinet de gaz (OFF). Serrer le raccord/la connexion. Ouvrez le robinet de gaz et testez à nouveau.

Si la fuite persiste, coupez l'alimentation en gaz et contactez votre revendeur pour obtenir de l'aide. N'essayez pas d'utiliser la table de cuisson en cas de fuite.

IMPORTANT : Débranchez la table de cuisson et le robinet d'arrêt individuel du système de tuyauterie d'alimentation en gaz pendant tout test de pression de ce système à des pressions d'essai supérieures à 1/2 psig. Isolez la table de cuisson du système de tuyauterie d'alimentation en gaz en fermant le robinet d'arrêt manuel individuel à la table de cuisson pendant tout test de pression du système de tuyauterie d'alimentation en gaz à des pressions d'essai inférieures ou égales à 1/2 psig.

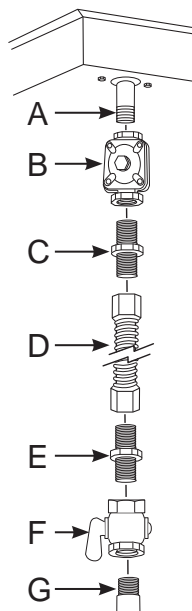
Instructions d'installation

INSTALLATION DE LA TABLE DE CUISSON (suite)

17. INSTALLATION DU RÉGULATEUR DE PRESSION (suite)

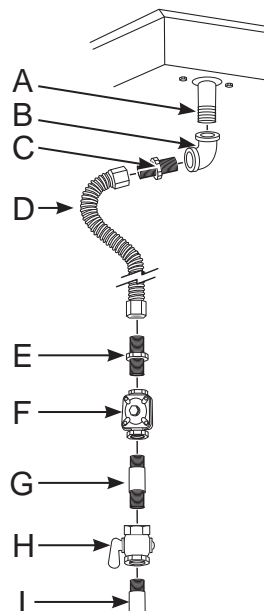
RACCORDEMENT DU CONNECTEUR

INSTALLATION TYPE SANS OBSTRUCTION SOUS LA TABLE DE CUISSON



- A. Filetage tuyau mâle NPT 3/8 po
- B. Régulateur fourni avec l'appareil :
 - Sortie - Filetage tuyau femelle NPT 3/8 po
 - Entrée - Filetage tuyau femelle NPT 1/2 po
- C. Adaptateur
- D. Connecteur rigide ou flexible
- E. Adaptateur
- F. Robinet d'arrêt manuel
- G. Tuyau de gaz de 1/2 po ou 3/4 po

INSTALLATION ALTERNATIVE AVEC OBSTRUCTION SOUS LA TABLE DE CUISSON



- A. Filetage tuyau mâle NPT 3/8 po
- B. Coude
- C. Adaptateur
- D. Connecteur flexible (permet de traverser la paroi de l'armoire)
- E. Adaptateur
- F. Régulateur fourni avec l'appareil :
 - Sortie - Filetage tuyau femelle NPT 3/8 po
 - Entrée - Filetage tuyau femelle NPT 1/2 po
- G. Tuyau de gaz
- H. Robinet d'arrêt manuel
- I. Tuyau de gaz de 1/2 po ou 3/4 po

Instructions d'installation

INSTALLATION DE LA TABLE DE CUISSON (suite)

18. CONNEXIONS ÉLECTRIQUES

⚠ AVERTISSEMENT Risque d'électrocution : Cet appareil doit être mis à la terre correctement. Le non-respect de cette consigne peut entraîner une électrocution.

Circuit de dérivation de 120 volts, 60 Hertz, correctement mis à la terre et protégé par un disjoncteur de 15 ou 20 ampères ou un fusible temporisé.

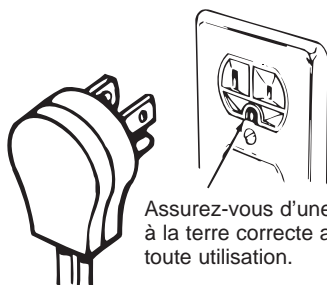
REMARQUE : L'utilisation d'interrupteurs externes automatiques, sans fil ou filaires qui coupent l'alimentation de l'appareil n'est pas recommandée pour ce produit.

PRÉCAUTIONS RELATIVES AUX RALLONGES

En raison des risques potentiels pour la sécurité associés à certaines conditions, nous recommandons fortement de ne pas utiliser de rallonge. Toutefois, si vous choisissez toujours d'utiliser une rallonge, il est absolument nécessaire qu'il s'agisse d'une rallonge pour électroménagers mise à la terre, à 3 fils et homologuée UL; la puissance nominale du cordon en ampères doit être égale ou supérieure à la puissance nominale du circuit de dérivation.

MISE À LA TERRE

Méthode préférée



Assurez-vous d'une mise à la terre correcte avant toute utilisation.

Le cordon électrique de cet appareil est muni d'une fiche à trois broches (mise à la terre) correspondant à une prise murale à trois broches standard (mise à la terre) afin de réduire le risque de choc électrique depuis l'appareil.

Le client devrait faire vérifier la prise murale et le circuit électrique par un électricien agréé pour s'assurer de leur mise à la terre et leur polarité adéquates.

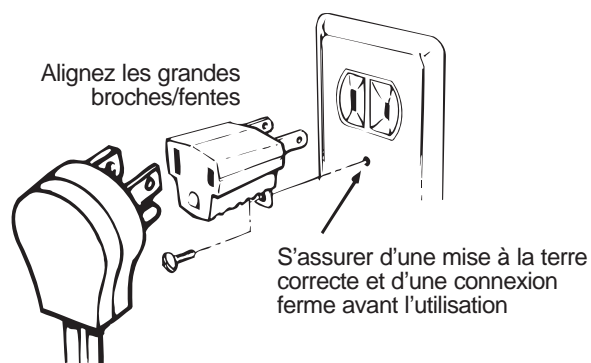
Lorsqu'une prise murale standard à deux broches est présente, il est de la responsabilité personnelle et de l'obligation du client de la faire remplacer par une prise murale à trois broches correctement mise à la terre.

EN AUCUN CAS, NE COUPEZ OU NE RETIREZ LA TROISIÈME BROCHE (DE MISE À LA TERRE) DU CORDON D'ALIMENTATION.

Un adaptateur ne peut être utilisé que sur un circuit de 15 ampères. N'utilisez pas d'adaptateur sur un circuit de 20 ampères. Lorsque les codes locaux le permettent, une CONNEXION TEMPORAIRE peut être effectuée sur une prise murale à deux broches correctement mise à la terre à l'aide d'un adaptateur homologué UL, disponible dans la plupart des quincailleries. La fente la plus grande de l'adaptateur doit être alignée avec la fente la plus grande de la prise murale pour assurer une polarité correcte lors de la connexion du cordon d'alimentation.

Méthode temporaire

(Les adaptateurs ne sont pas autorisés au Canada)



⚠ ATTENTION La fixation de la borne de terre de l'adaptateur à la vis du couvercle de la prise murale ne met pas l'appareil à la terre, sauf si la vis du couvercle est métallique, non isolée et si la prise murale est mise à la terre par le câblage domestique. Le client doit faire vérifier le circuit par un électricien agréé pour s'assurer que la prise est correctement mise à la terre.

Lorsque vous débranchez le cordon d'alimentation de l'adaptateur, tenez toujours l'adaptateur d'une main. Si ce n'est pas le cas, la borne de terre de l'adaptateur risque de se rompre en cas d'utilisation répétée. Si cela se produit, N'UTILISEZ pas l'appareil tant qu'une mise à la terre adéquate n'a pas été établie.

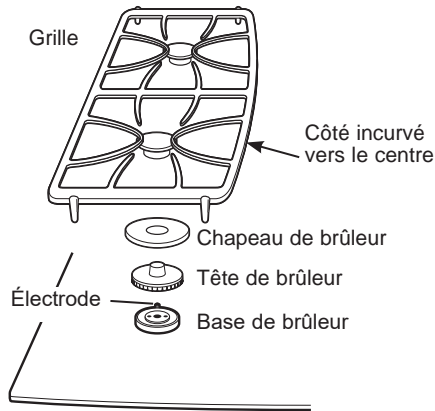
Les disjoncteurs de fuite à la terre (GFCI) ne sont pas nécessaires ou recommandés pour les prises de table de cuisson à gaz. Le rendement de votre table de cuisson ne sera pas impacté par la présence d'un circuit protégé par un disjoncteur de fuite de terre, mais un déclenchement intempestif de l'interrupteur est possible.

Instructions d'installation

INSTALLATION DE LA TABLE DE CUISSON (suite)

19. MONTAGE DES BRÛLEURS, VÉRIFICATION DE L'ALLUMAGE

Montez le brûleur comme illustré.

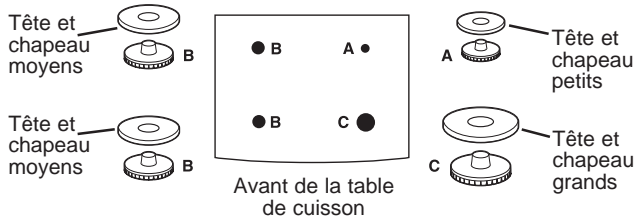


Placez les grilles sur les brûleurs.

Vérifiez que l'allumage est correct :

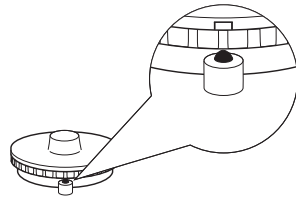
- Enfoncez un bouton de commande et tournez-le à la position LITE.
- L'allumeur émet une étincelle et le brûleur s'allume; l'allumeur cesse d'émettre une étincelle lorsque le brûleur est allumé.
- Le premier essai peut nécessiter un certain temps, alors que l'air est évacué de la conduite de gaz.
- Vérifiez si les flammes de votre brûleur sont normales. Si les flammes de votre brûleur ressemblent à « A », éteignez le brûleur et assurez-vous que toutes les pièces sont correctement montées. Remontez et revérifiez. Des flammes normales doivent ressembler à B ou C selon le type de gaz utilisé. Avec le GPL, un peu de jaune sur les extrémités des cônes extérieurs est normal.

ATTENTION N'utilisez pas le brûleur sans que toutes ses pièces ne soient en place.



A-Flammes jaunes, appeler le service après-vente **B-Bouts jaunes sur cônes extérieurs, normal pour GPL** **C-Flammes bleu doux, normal pour gaz naturel**

Placez les têtes de brûleur sur les bases de brûleur en faisant correspondre les lettres. Placez les chapeaux sur les têtes. Assurez-vous que les têtes et les bouchons sont placés sur le brûleur de la bonne taille. Les têtes de brûleur et les bases de brûleur sont étiquetées A, B et C pour faciliter le remontage. Il y a une petite tête (A), deux moyennes (B) et une grande tête (C) et un chapeau.



Assurez-vous que l'encoche de la tête du brûleur est orientée vers l'électrode. Faites tourner la tête du brûleur autour de la base du brûleur jusqu'à ce qu'elle soit de niveau et bien en place.

- Tournez le bouton sur OFF.
- Répétez la procédure pour chaque brûleur.

UNE FOIS TOUS LES RACCORDEMENTS TERMINÉS

Assurez-vous que tous les boutons sont dans la position d'arrêt (OFF). Veillez à ce que le flux de l'air de combustion et de l'air de ventilation de la table de cuisson ne soit pas entravé.

Vérifiez que tous le matériel d'emballage et le ruban ont été retirés. Cela comprendra le ruban adhésif, les attaches métalliques, le carton et le plastique de protection. Si vous ne retirez pas ces matières, vous risquez d'endommager l'appareil une fois celui-ci allumé et les surfaces réchauffées.

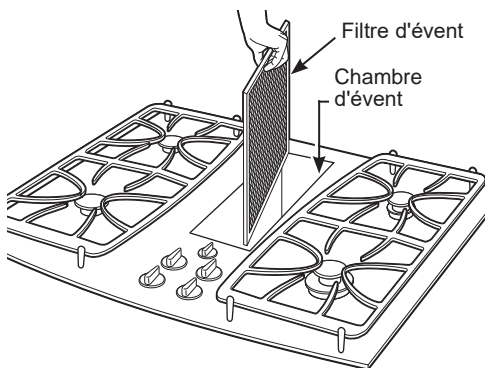
Instructions d'installation

INSTALLATION DE LA TABLE DE CUISSON (suite)

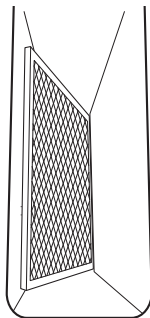
20. INSTALLATION DU FILTRE D'ÉVENT, DU JOINT D'ÉVENT ET DE LA GRILLE D'ÉVENT POUR ASPIRATION DESCENDANTE

Ne faites pas fonctionner l'évent sans que le filtre ne soit en place.

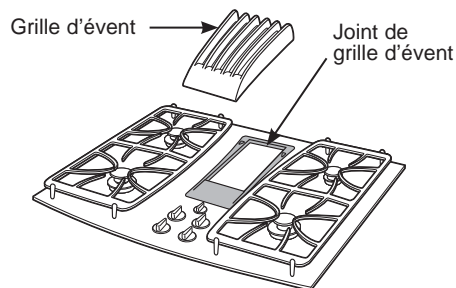
- Placez le filtre en diagonale à travers l'ouverture de l'évent.



- Assurez-vous qu'il repose à angle sur les supports de l'ouverture d'évent.



- Posez le joint de grille d'évent autour du bord de l'ouverture de l'évent. Assurez-vous que l'avant du joint est orienté vers l'avant de la table de cuisson.
- Placez avec précaution la grille d'évent sur le joint de l'ouverture.






VÉRIFICATION DE L'ASPIRATION DESCENDANTE

- Tournez la commande de vitesse de la soufflante de l'évent sur HI, MED et LO pour vérifier que toutes les vitesses fonctionnent correctement.

Conseils de dépannage... Avant d'appeler un réparateur

Gagnez du temps et économisez de l'argent! Lisez les tableaux des pages suivantes, vous pourriez éviter un appel de service.

Problème	Cause probable	Correctifs
L'eau ne bout pas		Recouvrir le récipient avec le couvercle. Arrêtez la soufflante d'aspiration jusqu'à ce que l'eau commence à bouillir.
Les brûleurs présentent des flammes jaunes ou aux bouts jaunes	La qualité de la combustion des flammes de brûleur doit être déterminée visuellement.	Utilisez les illustrations ci-dessous pour déterminer si les flammes de votre brûleur sont normales. Si les flammes du brûleur ressemblent à A, faites un appel de service. Des flammes normales doivent ressembler à B ou C selon le type de gaz utilisé. Avec le GPL, un peu de jaune sur les extrémités des cônes extérieurs est normal. <div style="display: flex; justify-content: space-around; align-items: center; margin-top: 10px;">    </div> <div style="display: flex; justify-content: space-around; margin-top: 5px;"> <div style="text-align: center;"> <p>A–Flammes jaunes, appeler le service après-vente</p> </div> <div style="text-align: center;"> <p>B–Bouts jaunes sur cônes extérieurs, normal pour GPL</p> </div> <div style="text-align: center;"> <p>C–Flammes bleu doux, normal pour gaz naturel</p> </div> </div>
	Des pièces du brûleur n'ont pas été remises en place correctement.	Voyez la section Nettoyage de la table de cuisson.
Les brûleurs ne s'allument pas	La fiche sur la table de cuisson n'est pas complètement insérée dans la prise électrique.	Assurez-vous que la fiche est branchée dans une prise fonctionnelle, correctement mise à la terre.
	L'alimentation en gaz n'est pas connectée ou ouverte.	Voyez la section Instructions d'installation.
	Un fusible de votre domicile peut être grillé ou le disjoncteur a été déclenché.	Remplacez le fusible ou réenclenchez le disjoncteur.
	L'orifice de l'allumeur dans le corps du brûleur est peut-être obstrué.	Retirez l'obstruction.
	Des pièces du brûleur n'ont pas été remises en place correctement.	Voyez la rubrique Chapeaux, têtes et électrodes de brûleur dans la section Nettoyage de la table de cuisson.
	L'encoche dans le tête du brûleur est peut-être obstruée.	Utilisez une petite aiguille à coudre ou un trombone pour la dégager.
Le bruit d'étincelles persiste après l'extinction du brûleur	Assurez-vous que le bouton est à la position d'arrêt (OFF).	Retirez le bouton en le tirant hors de la tige et vérifiez que le bas du bouton ne présente aucune accumulation de saleté.
Bruit d'étincelles occasionnel	Modification de la vitesse de la soufflante.	Il s'agit d'un bruit de commutation électrique typique. Ce phénomène est normal.
Flammes de brûleur très grandes ou jaunes	Mauvaise proportion d'air par rapport au gaz.	Si la table de cuisson est connectée au gaz GPL, contactez la personne qui a installé la table de cuisson ou fait la conversion.
	L'encoche dans le tête du brûleur est peut-être obstruée.	Utilisez une petite aiguille à coudre ou un trombone pour la dégager.
Les flammes du brûleur font un bruit excessif	Le brûleur n'a pas été utilisé récemment.	Certaines flammes d'un brûleur « froid » allumé en position HI peuvent « gronder » ou « s'élever ». Ce phénomène est normal et devrait se dissiper après 4 à 5 minutes.
Flammes du brûleur tirées vers la grille d'évent	Soufflante d'évent à grande vitesse.	Ce phénomène est normal. Si le rendement de cuisson est moindre, utilisez un réglage de vitesse de soufflante moins élevé.

Conseils de dépannage... Avant d'appeler un réparateur

Problème	Cause probable	Correctifs
Les boutons de commande ne tournent pas	Les commandes sont mal réglées.	Pour tourner à la position OFF (arrêt), enfoncez le bouton, puis tournez-le. Le bouton ne peut être tourné que dans le sens inverse des aiguilles d'une montre. Lorsque le bouton est à une autre position, il peut être tourné dans un sens ou dans l'autre sans être poussé.
La soufflante ne fonctionne pas	Le bouton de commande de la soufflante est mal réglé.	Tournez le bouton dans le sens des aiguilles pour activer le ventilateur.
	Le cordon est mal branché ou l'alimentation électrique est coupée.	Vérifiez les connexions. Activez l'alimentation à la boîte à fusibles.
Mauvaise ventilation	Filtre obstrué.	Nettoyez le filtre selon les instructions.
	La maison est trop hermétique.	Ouvrez légèrement une fenêtre pour fournir une source d'air frais.
	Évent mural obstrué.	Éliminez l'obstruction de l'évent mural extérieur.
	Registre de l'évent mural bloqué.	Vérifiez que le registre de l'évent mural extérieur bouge librement et sans obstruction.
	La longueur du conduit dépasse le maximum recommandé de 100 pieds équivalents.	Réduisez le nombre de coudes pour simplifier le passage des conduits.
Petites rayures ou marques métalliques (qui peuvent apparaître comme des fissures) ou abrasions sur la surface en verre de la table de cuisson	Des méthodes de nettoyage incorrectes sont utilisées.	Voyez la section Nettoyage de la table de cuisson en verre.
	Des ustensiles de cuisine dont le fond est rugueux sont utilisés ou des particules grossières (sel ou sable) se trouvent entre le récipient et la surface de la table de cuisson.	Assurez-vous que les ustensiles de cuisine et leur fond sont propres avant de les utiliser. Utilisez des ustensiles de cuisine à fond lisse. Les petites rayures ne sont pas amovibles, mais elles deviennent moins visibles avec le temps à la suite du nettoyage.
	Des ustensiles de cuisine ont été glissés sur la surface de la table de cuisson.	Soulevez les ustensiles de cuisine pour les placer sur la surface en verre.
Zones de décoloration ou de stries foncées sur la table de cuisson	Mauvais ustensiles de cuisine utilisés.	Les marques des récipients en aluminium et en cuivre ainsi que les dépôts minéraux de l'eau ou des aliments peuvent être éliminés avec la crème de nettoyage.
	Les retombées alimentaires n'ont pas été nettoyées avant la prochaine utilisation.	Voyez la section Nettoyage de la table de cuisson.
	Des méthodes de nettoyage incorrectes sont utilisées.	Suivez les procédures de nettoyage recommandées.
Mélanges de sucre chaud ou plastique fondu sur la surface	La table de cuisson chaude est entrée en contact avec ces substances.	Consultez la rubrique sur les dommages permanents à la surface en verre dans la section Nettoyage de la table de cuisson.
Piqûres (ou indentations) sur la table de cuisson	Mélange de sucre chaud renversé ou plastique fondu sur la table de cuisson.	Appelez un technicien agréé pour le remplacement.

Notes

Garantie limitée de GE Appliances

electromenagersge.ca

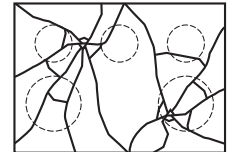
Tous les services de garantie sont fournis par nos centres de service d'usine, ou par un technicien Customer Care® agréé. Pour planifier un rendez-vous de service en ligne, rendez-vous sur electromenagersge.ca/fr/soutien/demande-de-service ou appelez GE Appliances au 800.GE.CARES (800.432.2737). Veuillez avoir votre numéro de série et votre numéro de modèle à portée de main lorsque vous appelez pour une rendez-vous de service.

La réparation de votre appareil peut nécessiter l'utilisation d'un port de données embarqué pour établir les diagnostics. Le technicien d'usine GE Appliances aura ainsi la possibilité de diagnostiquer rapidement toute défectuosité de votre appareil et de fournir à GE Appliances des informations sur votre appareil en vue de l'amélioration de ses produits. Si vous ne souhaitez pas transmettre des données de votre appareil à GE Appliances, veuillez en aviser votre technicien au moment de la réparation.

Durant une période de	GE Appliances remplacera
Un an À partir de la date d'achat initial	Toute pièce du cuisinière défectueuse en raison d'un vice de matière ou de main-d'œuvre. Au cours de cette garantie limitée d'un an, GE Appliances fournira gratuitement toute la main-d'œuvre et le service à domicile pour remplacer la pièce défectueuse.

Ce que GE Appliances ne garantit pas :

- Les déplacements à votre domicile pour vous apprendre à utiliser le produit.
- Une installation, une livraison ou un entretien inadéquats.
- La défaillance du produit en raison d'un usage abusif, d'une mauvaise utilisation, d'une modification, d'un usage commercial ou différent que celui prévu.
- Les dommages à la table de cuisson en verre causés par l'utilisation de nettoyants autres que les crèmes et les tampons de nettoyage recommandés.
- Les dommages à la table de cuisson en verre causés par des débordements de matières sucrées ou de plastique fondu qui ne sont pas nettoyés conformément aux instructions du manuel d'utilisation.
- Le remplacement des fusibles du domicile ou le réarmement des disjoncteurs.
- Tout dommage occasionné par un accident, un incendie, une inondation ou une autre catastrophe naturelle.
- Les dommages au fini, tels que rouille de surface, ternissement ou petites imperfections qui ne sont pas rapportés dans les 48 heures suivant la livraison.
- Les dommages accessoires ou indirects causés par d'éventuelles défectuosités de cet électroménager.
- Les dommages survenus après la livraison.
- Un produit non accessible pour fournir le service requis.
- Le service pour réparer ou remplacer les ampoules, à l'exception des lampes DEL.
- En vigueur le 1er janvier 2022, les dommages cosmétiques à la table de cuisson en verre tels que, mais sans s'y limiter, des éclats, des rayures ou des résidus cuits non signalés dans les 90 jours suivant l'installation.
- En vigueur le 1er janvier 2022, les dommages à la table de cuisson en verre en raison d'un impact ou d'une mauvaise utilisation. Voir l'exemple :



EXCLUSION DES GARANTIES IMPLICITES

Votre seul et unique recours consiste dans la réparation du produit tel que stipulé dans la présente garantie limitée. Toute garantie implicite, y compris les garanties implicites relatives à la qualité marchande ou à l'adéquation à un usage particulier, se limitera à une période d'un an ou à la période la plus courte prescrite par la loi.

Cette garantie limitée est offerte à l'acheteur initial et à tout propriétaire subséquent d'un produit acheté à des fins d'usage domestique aux États-Unis. Si le produit est situé dans une localité où un réparateur autorisé GE Appliances n'est pas disponible, vous pourriez encourir des frais de déplacement ou devoir acheminer le produit à un réparateur autorisé GE Appliances pour faire réparer l'appareil. En Alaska, cette garantie limitée exclut les frais d'expédition et les visites de service à votre domicile. Certains États ou provinces ne permettent pas l'exclusion ou la restriction des dommages accessoires ou indirects. Certains droits particuliers vous sont dévolus en vertu de la présente garantie et peuvent s'accompagner d'autres droits qui varient selon votre lieu de résidence. Pour connaître la nature exacte de vos droits, consultez l'organisme de protection du consommateur de votre région, ou encore le bureau du procureur général de l'État.

Garant : GE Appliances, a Haier company
Louisville, KY 40225

Garant au Canada : MC Commercial
Burlington, ON, L7R 5B6

Prolongation de garanties : Procurez-vous une prolongation de garantie GE Appliances et informez-vous des rabais spéciaux en vigueur pendant la durée de votre garantie. Vous pouvez l'acheter en ligne en tout temps sur

Electromenagersge.ca/fr/soutien/achat-d-une-garantie-prolongee

ou composez le 800.626.2224 durant les heures normales de bureau. Le service GE Appliances sera toujours disponible après l'expiration de votre garantie.

Brochez votre reçu ici. Pour obtenir le service sous garantie, vous devez fournir la preuve de la date d'achat initial.

Accessoires

Vous recherchez d'autres articles?

GE Appliances offre une panoplie d'accessoires pour améliorer vos expériences de cuisson et d'entretien!

Reportez-vous à la page de Soutien au consommateur pour obtenir des numéros de téléphone et des informations sur le site Web.

Les produits suivants et bien plus encore sont disponibles :

Accessoires

Trousse de conversion avec orifice haute altitude pour gaz naturel

Trousse de conversion avec orifice haute altitude pour GPL

Orifice GPL avant gauche et arrière gauche

Orifice GPL arrière droit

Orifice GPL avant droit

Trousse d'installation alternative

Articles de nettoyage

Lingettes pour acier inoxydable CitruShine™

Linge de polissage pour acier inoxydable

Décapant de graisse brûlée

Nettoyant pour électroménagers en acier inoxydable

Tampons de nettoyage antirayures pour table de cuisson en vitrocéramique

Nettoyant pour table de cuisson en vitrocéramique

Trousse de nettoyage

Nettoyant pour grille de brûleur

Trousse d'élimination des rayures pour acier inoxydable

Soutien au consommateur

Site Web de GE Appliances

Vous avez une question ou vous avez besoin d'aide pour votre appareil électroménager? Visitez le site Web de GE Appliances 24 heures par jour, tous les jours de l'année! Vous pouvez aussi y trouver d'autres formidables produits GE Appliances et tirer avantage de tous nos services d'assistance en ligne. Aux États-Unis : **GEAppliances.com**
Au Canada : **ElectromenagersGE.ca**

Enregistrez votre électroménager

Enregistrez votre nouvel appareil en ligne au moment qui vous convient le mieux! L'enregistrement de votre produit dans les délais prescrits permet une meilleure communication et un service rapide, selon les modalités de votre garantie, si besoin est. Vous pouvez également envoyer par courrier la carte d'enregistrement pré-imprimée qui se trouve dans l'emballage de votre appareil.

Aux États-Unis : **GEAppliances.com/register**

Au Canada : **Prodsupport.mabe.ca/crm/Products/ProductRegistration.aspx**

Service de réparation

Un service de réparation expert GE Appliances se trouve à quelques pas de chez vous. Rendez-vous sur notre site et programmez, à votre convenance, une visite de réparation à n'importe quel jour de l'année.

Aux États-Unis : **GEAppliances.com/service** ou composez le 800.432.2737 durant les heures normales de bureau.

Au Canada : **Electromenagersge.ca/fr/soutien/demande-de-service** ou composez le 800.561.3344

Prolongation de garantie

Procurez-vous une prolongation de garantie GE Appliances et informez-vous des rabais spéciaux en vigueur pendant la durée de votre garantie. Vous pouvez vous la procurer en ligne en tout temps. Les services GE Appliances seront toujours disponibles après l'expiration de la garantie. Aux États-Unis : **GEAppliances.com/extended-warranty** ou composez le 800.626.2224 durant les heures normales de bureau.

Au Canada : **Electromenagersge.ca/fr/soutien/achat-d-une-garantie-prolongee** ou composez le 800.290.9029

Connectivité à distance

Pour de l'assistance concernant la connectivité au réseau sans fil (pour les modèles équipés de cette fonction), visitez notre site Web au **GEAppliances.com/connect** ou composez le 800.220.6899.

Au Canada : **Electromenagersge.ca/fr/nouvelles-er-promotions/nouveautes/wifi-connect**

Pièces et accessoires

Les personnes ayant les compétences requises pour réparer elles-mêmes leurs appareils peuvent recevoir directement à la maison des pièces ou accessoires (les cartes VISA, MasterCard et Discover sont acceptées). Commandez en ligne 24 heures par jour.

Aux États-Unis : **GEApplianceparts.com** ou par téléphone au 877.959.8688 durant les heures normales de bureau.

Les instructions contenues dans le présent manuel comportent des procédures que tout utilisateur peut effectuer. Les autres types de réparation doivent généralement être confiés à un technicien qualifié. Utilisez de prudence : une réparation ou un entretien mal effectués peuvent rendre l'utilisation de l'appareil dangereuse.

Les consommateurs au Canada doivent consulter les pages jaunes pour connaître le centre de service Mabe le plus proche, visiter notre site Web au **Electromenagersge.ca/fr/produits/filtres-et-accessoires** ou composer le 1.800.661.1616.

Communiquez avec nous

Si vous n'êtes pas satisfait du service après-vente de GE Appliances, communiquez avec nous depuis notre site Web en fournissant tous les détails dont votre numéro de téléphone, ou écrivez à :

Aux États-Unis : General Manager, Customer Relations | GE Appliances, Appliance Park | Louisville, KY 40225
GEAppliances.com/contact

Au Canada : Director, Consumer Relations, Mabe Canada Inc. | Suite 310, 1 Factory Lane | Moncton, N.B. E1C 9M3
Electromenagersge.ca/fr/contactez-nous



Estufa

de gas de ventilación descendente (downdraft)

INFORMACIÓN DE SEGURIDAD ... 3

USO DE LA PLACA DE COCCIÓN
Funciones de la Placa de Cocción.....7
Quemadores8
Cómo Usar El Sistema
De Ventilación Descendente.....10

CUIDADO Y LIMPIEZA
Limpieza de la Placa de Cocción..... 11

INSTRUCCIONES
DE INSTALACIÓN 15
Antes de Comenzar.....16
Partes Incluidas.....18
Preparación de la Instalación.....19
Instalación de la Superficie de Cocción.....23

**CONSEJOS PARA LA SOLUCIÓN
DE PROBLEMAS** 31

GARANTÍA LIMITADA34

ACCESORIOS35

**SOPORTE PARA
EL CONSUMIDOR**36

**Manual del propietario
e instalación**

PGP9830

ESPAÑOL

Escriba el modelo y los números de serie a continuación:

Modelo No: _____

Serie No: _____

Encuentre estos números en una etiqueta debajo de la estufa.



GRACIAS POR HACER QUE GE APPLIANCES SEA PARTE DE SU HOGAR.

Ya sea que haya crecido usando GE Appliances, o que ésta es su primera vez, nos complace tenerlo en la familia.

Sentimos orgullo por el nivel de arte, innovación y diseño de cada uno de los electrodomésticos de GE Appliances, y creemos que usted también. Entre otras cosas, el registro de su electrodoméstico asegura que podamos entregarle información importante del producto y detalles de la garantía cuando los necesite.

Registre su electrodoméstico GE ahora a través de Internet. Sitios Web y números telefónicos útiles están disponibles en la sección de Soporte para el Consumidor de este Manual del Propietario.

También puede enviar una carta en la tarjeta de inscripción preimpresa que se incluye con el material embalado.



GE APPLIANCES

INFORMACIÓN IMPORTANTE DE SEGURIDAD

LEA TODAS LAS INSTRUCCIONES ANTES DE USAR ESTE ELECTRODOMÉSTICO

▲ADVERTENCIA

Lea todas las instrucciones de seguridad antes de utilizar este producto. No seguir estas instrucciones puede generar un incendio, una descarga eléctrica, lesiones corporales o la muerte.

▲ADVERTENCIA

Si no se sigue con precisión la información en este manual, un incendio o explosión puede resultar causando daños a la propiedad, heridas personales o muerte.

- No guarde ni use gasolina u otros vapores o líquidos inflamables cerca de este o cualquier otro aparato.
- SI HUELE A GAS
 - No trate de encender ningún aparato.
 - No toque ningún interruptor eléctrico; no use ningún teléfono en su edificio.
 - Llame inmediatamente a su abastecedor de gas del teléfono de su vecino. Siga las instrucciones del abastecedor de gas.
 - Si no puede comunicarse con su abastecedor de gas, llame al cuerpo de bomberos.
- La instalación y el servicio deben ser efectuados por un instalador calificado, la agencia de servicio o el abastecedor de gas.

▲ADVERTENCIA

Nunca Pierda de Vista la Sección Superior de la Superficie de Cocción de este Electrodoméstico.

- No seguir esta advertencia podrá resultar en incendio, explosión, o riesgos de quemaduras que podrán ocasionar daños sobre la propiedad, lesiones personales o la muerte.
- Si se produce un incendio, manténgase alejado del electrodoméstico y de inmediato llame al departamento de bomberos.

NO INTENTE EXTINGUIR CON AGUA UN INCENDIO PRODUCIDO CON COMBUSTIBLE/GRASA.

LEA Y GUARDE ESTAS INSTRUCCIONES

INFORMACIÓN IMPORTANTE DE SEGURIDAD

LEA TODAS LAS INSTRUCCIONES ANTES DE USAR ESTE ELECTRODOMÉSTICO

▲ADVERTENCIA INSTRUCCIONES GENERALES DE SEGURIDAD

Cuando reciba su estufa pídale al técnico que le muestre la localización de la llave de paso y cómo se cierra en caso de necesidad.

- Su estufa deberá ser instalada y conectada a tierra correctamente por un técnico calificado, de acuerdo a las Instrucciones de instalación. Cualquier ajuste o servicio deberán realizarlo únicamente técnicos calificados en instalación de estufas de gas o técnicos calificados en servicio.
- No trate de reparar o reemplazar cualquier parte de su estufa a menos que se recomiende en forma específica en este manual. Cualquier otro tipo de servicio deberá confiarse a un técnico calificado.
- Coloque la estufa fuera de la ruta del tráfico de la cocina y de las corrientes de aire para evitar un desempeño deficiente de los quemadores.
- Conecte su estufa únicamente a una toma de corriente de 120 voltios que esté conectada a tierra. No quite la pata de conexión a tierra de la clavija. Si tiene alguna duda sobre el sistema eléctrico redondeada de conexión a tierra de su casa, es su responsabilidad y obligación personal cambiar la toma de corriente que no esté conectada a tierra por una toma de corriente adecuada para tres patas que esté conectada a tierra de acuerdo con los requerimientos del Código Eléctrico Nacional. No utilice un cable de extensión para este aparato.
- Permita que las parrillas de los quemadores y otras superficies se enfríen antes de tocarlas o dejarlas donde los niños las puedan alcanzar.
- Asegúrese de quitar todo el material de empaque de la estufa antes de utilizarla para evitar riesgos de incendio o lesiones por fuego o humo en caso de que se incendie el material de empaque.
- Cerciórese de que su estufa sea ajustada correctamente por parte de un técnico de servicio o instalador para el tipo de estufa de gas (gas natural o LP) que su estufa ha de usar. Su estufa se puede convertir para ser usada con cualquiera de los dos tipos de gas. Ver las Instrucciones de instalación en el Kit de Conversión a LP.

- **▲ADVERTENCIA** Estos ajustes deben hacerse por un técnico calificado de acuerdo con las instrucciones del fabricante y todos los códigos y requisitos de las autoridades que tengan jurisdicción. No seguir estas instrucciones podría traer como resultado lesiones serias o daño a la propiedad. La agencia calificada que se encuentre ejecutando este trabajo asume la responsabilidad de la conversión.
- No deje a los niños solos o sin atención si la estufa se encuentra caliente o funcionando. Podrían quemarse gravemente.
- Use este aparato sólo con el objetivo para el que fue creado, como se describe en este Manual del Propietario.

- **▲PRECAUCIÓN** No coloque artículos de interés para los niños en los gabinetes que estén sobre una estufa/ módulo superior de estufa – si los niños trepan sobre la estufa para alcanzar estos artículos podrán sufrir lesiones graves.

- **▲ADVERTENCIA RIESGO DE INCENDIO:** Nunca deje la estufa desatendida cuando la superficie de cocción se encuentre ENCENDIDA. Mantenga cualquier artículo inflamable alejado de la estufa. Apague todos los controles cuando finalice la cocción. Si no se siguen estas instrucciones se podrán producir incendios, lesiones graves o la muerte.
- Siempre mantenga las paredes combustibles (que se puedan incendiar), cortinas o cubiertas a una distancia segura de la estufa.
- No coloque ni guarde ítems que se puedan derretir o incendiar sobre la superficie de cocción de vidrio, incluso cuando ésta no se encuentre en uso. Mantenga el área del electrodoméstico despejada y libre de materiales combustibles, gasolina y otros vapores y líquidos inflamables. Si la superficie de cocción se enciende de forma accidental, dichos productos se podrán incendiar. El calor de la superficie de cocción o de la ventilación del horno luego de que éste fue apagado podrán hacer que dichos productos se incendien también.
- No coloque objetos metálicos tales como cuchillos, tenedores, cucharas y tapas sobre la base de la superficie de cocción, ya que estos se podrán calentar.
- No obstruya el flujo de combustión y el aire de la ventilación.
- La prueba de goteras del electrodoméstico se deberá realizar de acuerdo con las instrucciones del fabricante.
- Nunca use ropa demasiado floja o que tenga piezas que le cuelguen mientras está usando electrodoméstico. Los materiales inflamables se podrían incendiar si se ponen en contacto con las unidades de superficie calientes y podrían causar quemaduras severas.
- No intente levantar la superficie de cocción cuando se encuentre conectada al suministro de gas. Hacer esto podrá dañar la tubería de gas hasta los quemadores de la superficie de cocción, ocasionando una pérdida de gas y riesgo de incendio.
- Limpie los elementos de la ventilación descendente de forma frecuente. No se deberá permitir la acumulación de grasa en la rejilla de ventilación, junta, filtro o cámara.
- Use un termómetro para grasas profundas siempre que sea posible para monitorear la temperatura del aceite. A fin de evitar derrames e incendios con aceite, use una cantidad mínima de aceite cuando esté friendo en una olla que no sea profunda y evite cocinar comidas congeladas con cantidades excesivas de hielo.

LEA Y GUARDE ESTAS INSTRUCCIONES

INFORMACIÓN IMPORTANTE DE SEGURIDAD

LEA TODAS LAS INSTRUCCIONES ANTES DE USAR ESTE ELECTRODOMÉSTICO

▲ADVERTENCIA INSTRUCCIONES GENERALES DE SEGURIDAD (Cont.)

- No use agua sobre fuegos de grasa. Nunca agarre una sartén que se encuentre en llamas. Apague los controles. Ahogue una sartén en llamas sobre una unidad de superficie cubriendo la sartén completamente con una tapa que le encaje bien, con una parrilla de hacer dulces o con una bandeja plana. Use un químico seco multipropósitos o un extintor tipo espuma.

La grasa en llamas fuera de una sartén se puede apagar cubriéndola con bicarbonato o, si lo tiene disponible, usando un químico seco multipropósitos o un extintor tipo espuma.

- **▲ADVERTENCIA** Para reducir el riesgo de incendio, choque eléctrico o lesiones a las personas, vigile lo siguiente:

- A. Use esta unidad solamente en la manera en que el fabricante anticipó que se utilice. Si tiene alguna pregunta, póngase en contacto con el fabricante.
- B. Antes de proporcionar servicio a la unidad, desconecte el suministro eléctrico en el panel de servicio.
- C. Cuando se encuentre cortando o taladrando en la pared o en el techo, no dañe los alambros eléctricos u otras utilidades escondidas.

- D. Los ventiladores conectados a conductos deben siempre estar ventilados hacia el exterior.
- E. Para reducir el riesgo de incendios, use solamente conductos metálicos.
- F. No queme alimentos sobre la estufa. Si quema alimentos bajo la campana, encienda el ventilador.
- G. Es necesario contar con suficiente cantidad de aire para una combustión y salida de gases adecuadas a través del conducto (chimenea) del equipo de consumo de combustible, a fin de evitar descargas. Siga las pautas del fabricante del equipo de calefacción y los estándares de seguridad, tales como aquellos publicados por la Asociación Nacional de Protección contra Incendios (National Fire Protection Association, NFPA), la Sociedad Estadounidense para la Calefacción (American Society for Heating), los Ingenieros de Refrigeración y Acondicionadores de Aire (Refrigeration and Air Conditioning Engineers, ASHRAE) y las autoridades de los códigos locales. Cuando corresponda, instale un sistema de reposición (reemplazo) de aire de acuerdo con los requisitos del código local de construcción". Para acceder a soluciones relacionadas con la reposición de aire, visite GEAppliances.com.

▲ADVERTENCIA UNIDADES DE SUPERFICIE RADIANTE

Sea cuidadoso cuando toque la estufa. La superficie de vidrio de la estufa se mantendrá caliente después de que los controles se hayan apagado.

- Evite rasguñar la estufa de vidrio. La estufa puede rasguñarse con objetos como instrumentos filosos, anillos u otras joyas y remaches en ropa o tela.
- Rasguñaduras grandes o impactos a la estufa de vidrio puede terminar en vidrio roto.
- No opera las unidades de vidrio de la estufa si el vidrio está roto. Derrames o solución de limpieza podría penetrar el vidrio roto y causar riesgos de una descarga eléctrica. Póngase en contacto con un técnico calificado inmediatamente si el vidrio de su estufa se rompe.
- Nunca use una estufa de superficie como una superficie de corte.
- Use sólo agarraderas de ollas secas – las agarraderas húmedas sobre superficies calientes podrán producir quemaduras debido al vapor. No permita que las agarraderas tengan contacto con los elementos de unidades calientes de la superficie ni con los elementos para calentar. No use una toalla u otra tela voluminosa para reemplazar la agarradera.
- Limpie la estufa con precaución. Si una esponja húmeda o un trapo es usado para limpiar derrames en unidades

de superficies calientes, tenga cuidado de evitar quemaduras causadas por el vapor. Algunos limpiadores pueden causar gases nocivos si son aplicados a superficies calientes. **NOTA:** Recomendamos que evite limpiar la superficie de cualquiera de las áreas hasta haberse enfriado y que el indicador se haya apagado. Los derrames de azúcar son una excepción a esto. Lea *Cómo Limpiar la Superficie de Cocción de Vidrio* en la sección de Cuidado y Limpieza.

- Use un limpiador para superficies de cocción de vidrio y una almohadilla de limpieza antirayaduras para limpiar la superficie de cocción. Lea y siga todas las instrucciones y advertencias que figuran sobre la etiqueta de la crema de limpieza.
- Para evitar posibles daños a la superficie de cocinado, no aplique cremas de limpieza cuando la superficie de vidrio esté caliente.
- Después de la limpieza, use un trapo seco o una toalla de papel para remover todos los residuos de la crema de limpieza.

LEA Y GUARDE ESTAS INSTRUCCIONES

INFORMACIÓN IMPORTANTE DE SEGURIDAD

LEA TODAS LAS INSTRUCCIONES ANTES DE USAR ESTE ELECTRODOMÉSTICO

▲ADVERTENCIA QUEMADORES DE SUPERFICIE

Ajuste el tamaño de la llama del quemador de forma que no se extienda más allá del extremo de la pieza de cocina. Las llamas excesivas son peligrosas.

- Mantenga todos los objetos de plástico alejados de los quemadores de superficie.
- Si huele gas, suspenda el gas hacia la estufa y llame a un técnico de servicio calificado. Nunca use una llama abierta para localizar una fuga.
- Para evitar la posibilidad de una quemadura, siempre esté seguro de que los controles de todos los quemadores están en la posición de apagado (OFF) y de que todas las parrillas están frías antes de removerlas.
- Para minimizar la posibilidad de quemaduras, el encendido de materiales inflamables y los derrames, la manija de los recipientes deben girarse hacia el centro de la superficie de cocción sin extenderse sobre ninguna unidad de superficie cercana.
- Nunca deje frascos o latas de grasa goteando sobre o cerca de la superficie de cocción.
- No use papel de aluminio para cubrir las parrillas o revestir cualquier parte de la superficie de cocción. Hacer esto podrá producir envenenamiento con monóxido de carbono, sobrecalentamiento de la superficie de cocción, o un posible riesgo de incendio.
- No cubra o bloquee el área alrededor de los botones de la estufa. Esta área debe permanecer libre para tener la ventilación apropiada y para el rendimiento del quemador.
- Limpie solamente las partes indicadas en el Manual del propietario.

▲ADVERTENCIA COCINE BIEN LAS CARNES Y LAS CARNES DE AVE

Cocine la comida completamente para evitar que se produzcan enfermedades a partir de la comida. Podrá encontrar recomendaciones sobre temperatura mínima segura de la comida en IsItDoneYet.gov y en fsis.usda.gov. Use un termómetro para la comida para calcular su temperatura y realizar controles en diferentes áreas.

▲ADVERTENCIA CÓMO CONVERTIR LA ESTUFA A GAS LP (o convertir de vuelta a gas natural de LP)

Esta estufa deja la factoría lista para ser usada con gas natural.

Si usted quiere convertir a gas LP, la conversión debe ser llevada a cabo por un técnico de gas LP calificado.

Las instrucciones de conversión, la etiqueta de conversión y los orificios LP pueden encontrarse pegados en la estufa próximo al regulador de presión.

Existe un segundo juego de instrucciones incluidas en el sobre conteniendo los diagramas de alambrado del producto en el lado de la estufa. Mantenga estas instrucciones en los orificios en caso de que desee convertir la estufa otra vez a gas natural.

Cómo Retirar la Película Protectora de Envío y la Cinta de Embalaje

Con cuidado tome un extremo de la película protectora de envío con los dedos y lentamente retire la misma de la superficie del electrodoméstico. No utilice ningún producto filoso para retirar la película. Retire toda la película antes de usar el electrodoméstico por primera vez.

Para asegurar que no haya daños sobre el acabado del producto, la forma más segura de retirar el adhesivo de la cinta

de embalaje en electrodomésticos nuevos es aplicando un detergente líquido hogareño para lavar platos. Aplique con una tela suave y deje que se seque.

NOTA: El adhesivo deberá ser eliminado de todas las partes. No se puede retirar si se hornea con éste dentro.

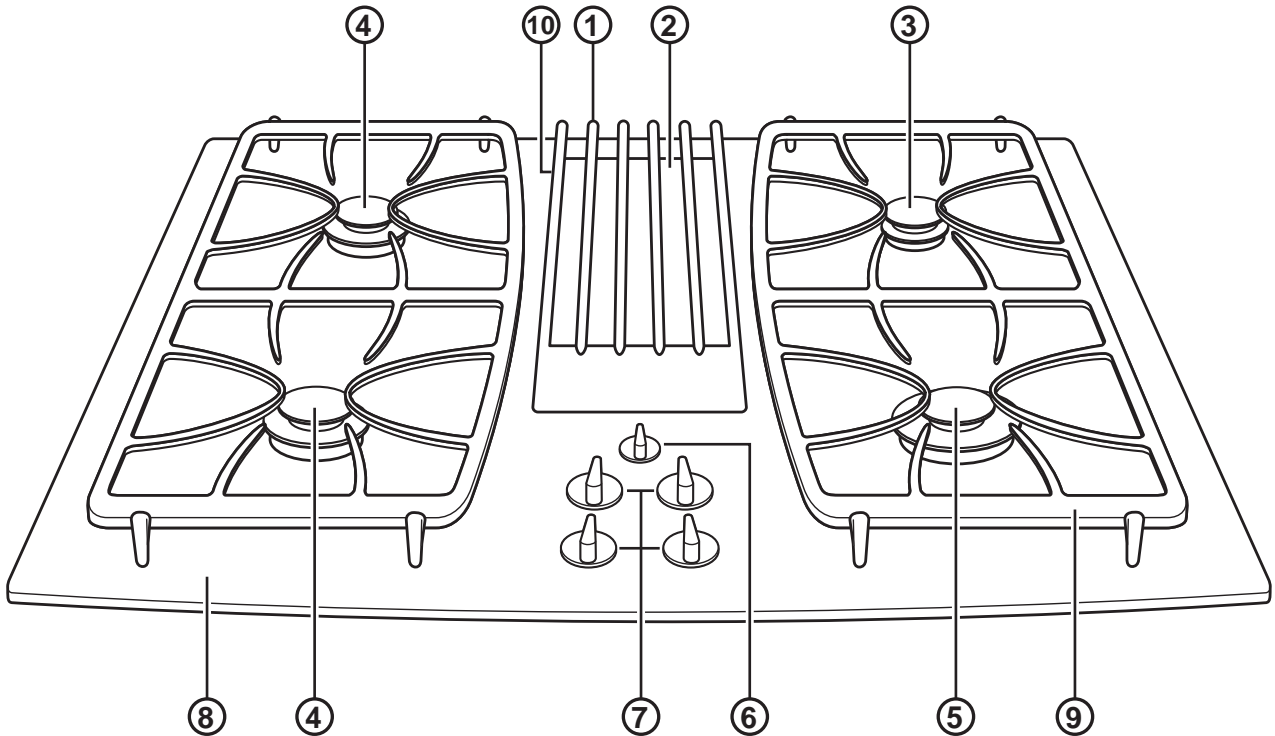
Tenga en cuenta las opciones de reciclaje del material de embalaje de su electrodoméstico.

FORMA ADECUADA DE DESCARTAR SU ELECTRODOMÉSTICO

Descarte o recicle su electrodoméstico de acuerdo con las Regulaciones Federales y Locales. Comuníquese con las autoridades locales para descartar o reciclar su electrodoméstico de forma ambientalmente segura.

LEA Y GUARDE ESTAS INSTRUCCIONES

Funciones de la Placa de Cocción



1. **Parrilla de ventilación:** Consulte la página 12.
2. **Filtro de ventilación (localizado debajo de la parrilla de ventilación):** Consulte la página 12.
3. **Cocinador a velocidad lenta a prueba de derramaduras:** Consulte la páginas 8 y 11.
4. **Quemadores a prueba de derramaduras:** Consulte la páginas 8 y 11.
5. **Quemador a prueba de derramaduras de alto poder:** Consulte la páginas 8 y 11.
6. **Control de ventilación:** Consulte la página 10.
7. **Controles de quemador de superficie:** Consulte la página 8.
8. **Superficie de cocción de vidrio:** Consulte la página 13.
9. **Parrillas quemadoras de fundición de hierro:** Consulte la página 12.
10. **Junta de la parrilla de ventilación:** Consulte la página 12.

Quemadores

A través de este manual, las características y la apariencia podría variar de acuerdo al modelo.

Cómo encender un quemador de superficie de gas

⚠ ADVERTENCIA Los quemadores sólo se deberán usar cuando estén cubiertos por los utensilios. Las llamas de los quemadores que no estén cubiertas por utensilios presentan riesgos de incendio o de encendido de telas. Nunca permita que las llamas se extiendan más allá de los costados del utensilio. Si esto no se cumple, se podrán producir lesiones graves.

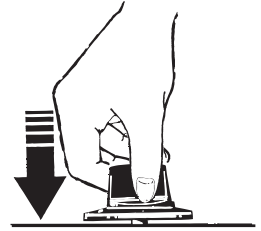
Empuje el botón de control hacia abajo girándolo hasta la posición LITE (ENCENDIDO).

Usted escuchará un pequeño ruido que hace clic—el sonido de la chispa eléctrica encendiendo el quemador.

Gire el botón para ajustar el tamaño de la llama. Si el botón permanece en LITE, continuará haciendo clic.

Cuando un quemador sea movido a LITE, todos los quemadores chispean. No intente desensamblar o limpiar alrededor de ninguno de los quemadores mientras otro quemador está encendido. Una descarga eléctrica podría resultar, lo que podría causar que usted voltee la sartén.

Si el quemador no se usó recientemente, es posible que las llamas produzcan un ruido fuerte. Esto es normal, y se debería disipar luego de 4 o 5 minutos.



Empuje el botón de control hacia abajo girándolo hasta la posición LITE (ENCENDIDO).

Quemadores de gas sellados

El quemador más pequeño (posición posterior derecha) le darán los mejores resultados para hervir a fuego lento. Este le ofrece rendimiento de cocción preciso para comidas delicadas, tales como salsas o comidas que necesitan cocinarse en calor lento y bajo. Este puede reducirse a una selección de cocción a fuego lento muy baja.

Los otros quemadores tienen mayor poder y harán que los líquidos hiervan mucho más rápidamente, especialmente con el uso de una tapa.

Cómo seleccionar el tamaño de la llama

Para un manejo seguro de sus piezas de cocina o sartenes, nunca permita que las llamas se extiendan más allá de los lados de la sartén.

Vigile las llamas, no el botón, cuando reduzca el calor. El tamaño de la llama en un quemador de gas debe ajustarse a la sartén que se encuentre usando.

Cualquier llama mayor que el fondo de la sartén se está desperdiciando y solamente sirve para calentar la manija de la sartén.



En caso de una interrupción en el suministro eléctrico

En caso de una interrupción en el suministro eléctrico, usted puede encender los quemadores de la superficie de gas de su estufa con un fósforo. Sostenga un fósforo encendido en el quemador, entonces empuje y gire el botón a la posición LITE. Use precaución extrema cuando encienda los quemadores de esta forma.

Los quemadores de superficie en uso cuando suceda una interrupción en el suministro eléctrico continuarán operando normalmente.

EN CASO DE UNA INTERRUPCIÓN EN EL SUMINISTRO ELÉCTRICO, EL SISTEMA DE VENTILACIÓN NO OPERARÁ

Antes de encender un quemador de gas

- Asegúrese que todas las cabezas, tapas y rejillas de los quemadores se encuentren en las ubicaciones adecuadas (lea Tapas, Cabezas y Electrodo de Quemadores en la sección de Cuidado y Limpieza de la Cocina).

Después de encender un quemador de gas

- No opere el quemador por un período de tiempo extendido sin haber colocado una sartén sobre la parrilla. El acabado de la parrilla podría desportillar sin una sartén que absorba el calor.
- Cerciórese de que los quemadores y las parrillas están frías antes de colocar sus manos, un guante de sartenes, un trapo o cualquier otro material sobre ellos.

Quemadores (Cont.)

Use El Wok De Esta Forma

Recomendamos que use un wok de fondo plano, disponible en su ferretería más cercana.

Solamente use woks de fondo planos. No use un wok de fondo aplanado con un sostenedor de woks.

No use un wok de fondo aplanado sobre un aro de soporte. Colocar el aro sobre el quemador o sobre la parrilla podría causar que el quemador no funcione apropiadamente, resultando en niveles de monóxido de carbono más altos que los permitidos por los estándares presentes. Esto podría ser peligroso para su salud.



Use un wok de fondo plano.



Sartenes

Aluminio: Se recomiendan las sartenes de peso medio porque se calientan más rápida y uniformemente. La mayoría de los alimentos se doran uniformemente en una cacerola pequeña con un mango largo de aluminio. Use cacerolas con tapas que ajusten bien cuando cocine con cantidades mínimas de agua.

Acero inoxidable: Este metal solo tiene propiedades de calentamiento pobres y es usualmente combinado con cobre, aluminio u otros metales para mejorar su distribución de calor. Estas cacerolas cuando están fabricadas de una combinación de metales generalmente funcionan satisfactoriamente si se usan con calor medio como el fabricante lo recomienda.

Hierro fundido: Si es calentado lentamente, la mayoría de las cacerolas pequeñas con mangos largos darán resultados satisfactorios.

Piezas de cocina esmaltadas: Bajo algunas condiciones, el esmalte de algunas piezas de cocina podría fundirse. Siga las recomendaciones del fabricante de la sartén para los métodos de cocción.

Vidrio: Hay dos tipos de piezas de cocina de vidrio: aquellos que son para ser usados en horno solamente y aquellos que son para cocinar en estufas (cacerolas, cafeteras o ollas de té). Los conductos de vidrio se calientan muy lentamente.

Vidrio-cerámica a prueba de calor: Puede usarse para hornear o para cocinar en las superficies. Estas conducen el calor muy lentamente y se enfrían muy lentamente. Revise las direcciones del fabricante de estas piezas de cocina para cerciorarse de que las puede usar en una estufa de gas.

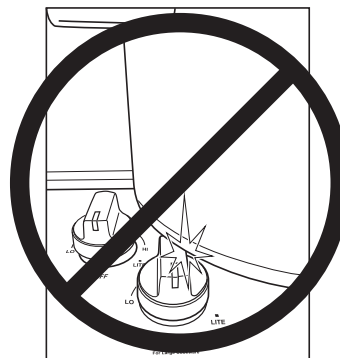
Parrillas para la superficie de la estufa

No use parrillas para la superficie de la estufa en su quemador de gas sellado. Si usted usa estas parrillas en el quemador de gas sellado causará una combustión incompleta y podría resultar en la producción de monóxido de carbono en niveles mayores de los permitidos por los estándares actuales. Esto podría ser peligroso para la salud.



Retiro del Utensilio de la Superficie de Cocción

Al retirar el utensilio caliente del quemador, asegúrese de levantarlo lo suficiente como para que no tenga contacto con las perillas de control. El contacto del utensilio caliente con las perillas de control podrá ocasionar daños, tales como derretimientos o deformaciones.



Cómo Usar El Sistema De Ventilación Descendente

Como Operar El Sistema De Ventilación Descendente

El sistema de ventilación incorporado ayuda a remover los vapores producidos por los alimentos al ser cocinados en la estufa, además de los olores y el humo.

Gire el botón de control de velocidad del ventilador de ventilación a **HI (ALTO)**, **MED (MEDIO)** o **LO (BAJO)**, según sea necesario.

El uso continuo del sistema de ventilación mientras cocina ayuda a mantener la cocina cómoda y menos húmeda, reduciendo los olores de cocina y la humedad que normalmente crea la necesidad frecuente de limpieza.

La apariencia de las llamas del quemador podría ser afectada cuando el ventilador está en operación. En la configuración de velocidad alta del ventilador, es normal que las llamas del quemador se muevan en dirección hacia la rejilla de ventilación. Si la cocción se ve afectada, use una configuración de velocidad inferior del ventilador.

IN CASO DE UNA INTERRUPCIÓN EN EL SUMINISTRO ELÉCTRICO, EL SISTEMA DE VENTILACIÓN NO FUNCIONARÁ.



Limpieza de la Placa de Cocción

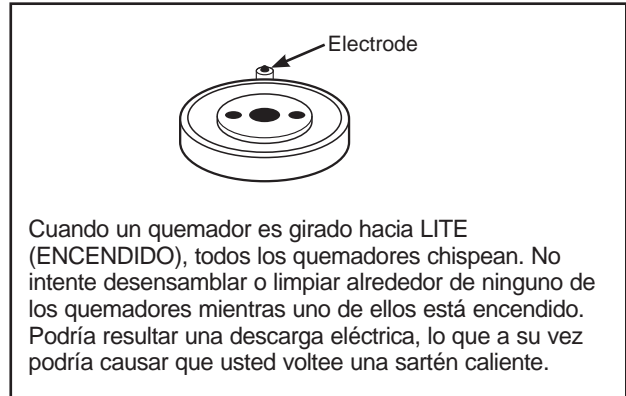
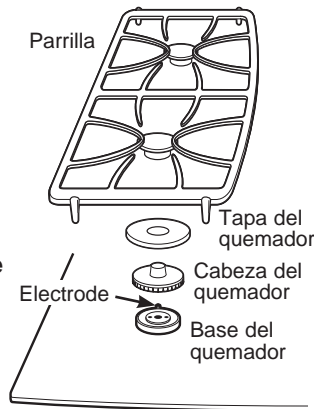
Cerciórese de que el suministro eléctrico está suspendido y que todas las superficies están frías antes de limpiar cualquiera de las partes de la estufa.

Ensambladuras del quemador sellado

Apague (**OFF**) todos los controles antes de remover las partes del quemador.

Las parrillas del quemador, las tapas y las cabezas del quemador se pueden levantar, lo que hace que su limpieza sea fácil.

⚠ PRECAUCIÓN No opere el quemador sin todas las partes del quemador en su lugar.



Tapas, Cabezas y Electrodo de Quemadores

Tapas del quemador

Levántelas cuando estén frías. Lave las tapas del quemador con agua de jabón caliente y enjuáguela con agua limpia. Usted la puede restregar con un restregador para remover las partículas de comidas quemadas que se le hayan adherido.

Cabezas del quemador

Las rendijas en las cabezas del quemador de su estufa deben mantenerse limpias en todo momento para lograr llamas uniformes y constantes.

Usted debería limpiar los quemadores de la superficie de manera rutinaria, especialmente después de derrames serios, los que podrían obstruir las aberturas. Levante cuando estén fríos.

Lave las cabezas del quemador con agua de jabón caliente y enjuáguela con agua limpia.

Para remover alimentos quemados encima de la estufa, moje la cabeza del quemador en una solución de líquido detergente suave y agua caliente de 20 a 30 minutos. Para manchas más fuertes, use un cepillo. Use una pequeña aguja de coser o un sujetador de papeles para quitar cualquier obstrucción de las hendiduras.

Electrodos

Esta vara de metal pequeña del quemador produce la chispa y se debe mantener limpia y seca para encender el gas de forma adecuada.

Para limpiar los electrodos, use una toalla de papel o un estropajo.

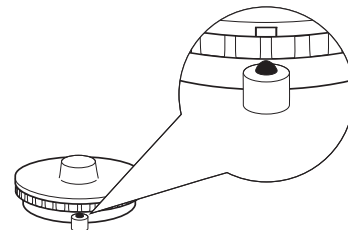
Después de la limpieza

Antes de regresar las tapas y las cabezas de vuelta a su lugar, sacuda el agua excesiva y entonces séquelos cuidadosamente colocándolos en el horno caliente por 30 minutos. Asegúrese que los electrodos se mantengan apoyados sobre la cabeza del quemador.

Reemplazo

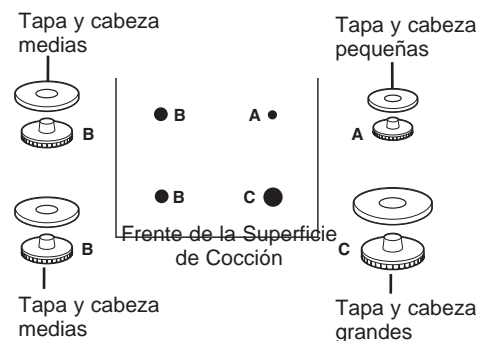
Las cabezas y las bases del quemador están etiquetadas A, B y C para ayudar en la reensambladura.

Reemplace las cabezas del quemador en las bases combinando las letras. Reemplace las tapas sobre las cabezas. Cerchiórese de que las tapas y las cabezas son colocadas en el orden correcto. De cada uno hay uno pequeño (A), dos medios (B) y uno grande (C). Si las tapas o cabezas no son reemplazadas en las ubicaciones correctas, es posible que los quemadores no se enciendan ni funcionen correctamente.



Después de la limpieza, cerciórese de que la ranura en la cabeza del quemador está colocada hacia el electrodo. Rote la cabeza del quemador alrededor de la base del quemador hasta que esté nivelada y asentada con seguridad.

NOTA: Antes de remover las tapas y las cabezas del quemador, recuerde su tamaño y localización. Reemplácelas en la misma localización después de la limpieza. Las cabezas del quemador y las bases del quemador están etiquetadas A, B y C para ayudarle en la ensambladura.



Limpieza de la Placa de Cocción

Las Rejillas Del Quemador, La Parrilla De Ventilación y La Junta

Levántelas cuando estén frías. Las rejillas, la parrilla y la junta se deberían lavar de forma regular y, por supuesto, luego de derrames.

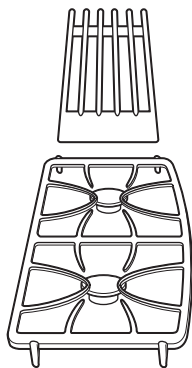
Para limpiarlas, lávelas en agua caliente con jabón y enjuague con agua limpia.

La decoloración en las parrillas podrían también removerse usando la crema de limpieza de estufas proporcionada. Aplique una o dos gotas en un trapo húmedo y restriegue a través del área decolorada. Enjuague y seque. Después de la limpieza, reemplace las parrillas de quemador y cerciódese de que están colocadas con seguridad sobre los quemadores.

Para remover comida quemada encima de la estufa, use una almohadilla con jabón para restregarla.

Aunque son duraderas, las parrillas eventualmente perderán su brillo, sin importar cuánto cuidado usted les proporcione. Este se debe a su exposición continua a altas temperaturas. Usted notará esto con parrillas de colores más claros.

No opere el quemador por un período de tiempo extendido sin haber colocado una sartén sobre la parrilla. El acabado de la parrilla podría desportillar sin una sartén que absorba el calor.



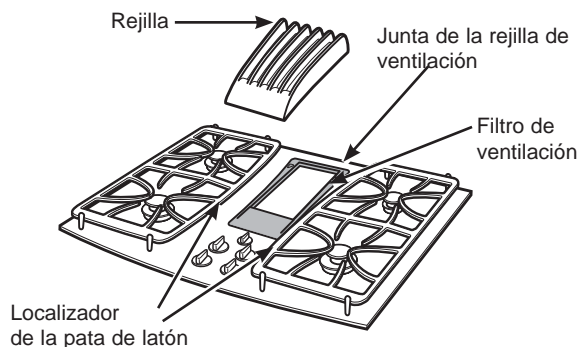
La apariencia podría variar.

Las patas de la parrilla tiene un pie de latón y tres pies de goma. Para ordenar reemplazos de las patas de parrillas de goma, lea las secciones de Asistencia / Piezas y Accesorios.

Reemplazo

Antes de reemplazar la rejilla de ventilación, cerciódese de que la junta de la rejilla está instalada apropiadamente alrededor de la abertura de ventilación descendente, con la palabra FRENTE (FRONT) hacia los botones. Reemplace la rejilla cuidadosamente sobre la junta.

Cuando se encuentre reemplazando parrillas, cerciódese de que están colocadas con su localizador de pata de latón hacia el centro.



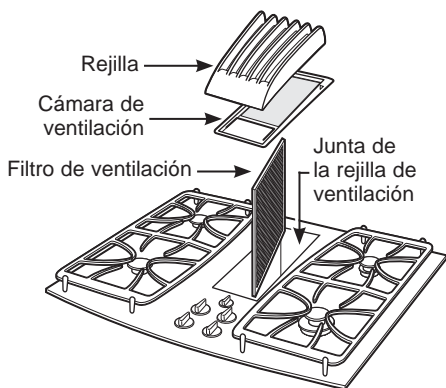
NOTA: No limpie las parrillas, la rejilla o la junta de la rejilla en un horno de limpieza automática.

Las parrillas, rejilla y la junta de la rejilla se pueden limpiar en un lavaplatos.

Cámara y filtro de ventilación

Remueva la rejilla de ventilación y la junta de la rejilla de ventilación. El filtro se mantiene en su lugar por un tope de ángulo. Levante el filtro y extráigalo de la abertura de ventilación diagonalmente.

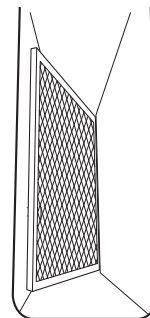
Para limpiar el filtro, agítelo en agua caliente con jabón. Enjuáguelo bien con agua caliente y séquelo cuidadosamente.



Remueva y reemplace el filtro diagonalmente a través de la abertura de ventilación.

Para ordenar filtros de reemplazo, lea las secciones de Asistencia / Piezas y Accesorios.

No opere la ventilación sin el filtro en su lugar.



Cuando reemplace el filtro, cerciódese de que descansa en un ángulo en los apoyos en la abertura de ventilación.

Para limpiar la cámara de ventilación, use agua caliente enjabonada. No use limpiadores abrasivos; dañarán el acabado.

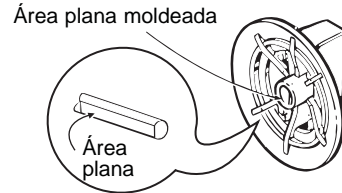
Reemplazo

Reemplace el filtro después de limpiarlo y secarlo. Reemplace la junta de la rejilla de ventilación formándola alrededor de la abertura de ventilación y cerciorándose de que la palabra FRENTE (FRONT) está colocada hacia los botones. Reemplace la rejilla.

Limpieza de la Placa de Cocción (Cont.)

Botones de control

Las perillas de control pueden quitarse para limpiarse.
 Para limpiar las perillas, cerciórese de que estén en la posición de apagado (OFF). Hale cada perilla hacia fuera del vástago.
 Para limpiar las perillas, colóquelos en un lavaplatos o realice la limpieza con agua y jabón. Enjuague con agua limpia.
 Asegúrese que los interiores de las perillas estén secos antes de volver a colocarlas.
 Cuando reemplace las perillas, revise que estén en la posición de apagado (OFF) para garantizar la colocación correcta.



Los botones de control se pueden remover para hacer su limpieza más fácil.

Superficies de Acero Inoxidable (en algunos modelos)

No use virutas de acero; éstas dañarán la superficie.
 Para limpiar la superficie de acero inoxidable, use agua tibia con jabón o un limpiador o pulidor para acero inoxidable.
 Siempre limpie la superficie en la dirección del veteado. Siga las instrucciones del limpiador para limpiar la superficie de acero inoxidable.

Para realizar consultas sobre la adquisición de productos, incluyendo limpiadores o pulidores para electrodomésticos de acero inoxidable, lea las secciones de Asistencia / Piezas y Accesorios, en el comienzo de este manual.

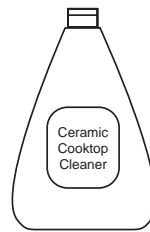
Superficie de Cocción de vidrio

Para mantener y proteger la superficie de su estufa de vidrio, siga estos pasos:

1. Antes de usar la estufa por primera vez, límpiela con el limpiador de estufas cerámicas. Esto ayuda a proteger la estufa y hace la limpieza más sencilla.
2. El uso diario del limpiador de estufas cerámicas ayudará a que la estufa quede como nueva.
3. Agite bien la crema de limpieza. Aplique unas gotas del limpiador de estufas cerámicas directamente sobre la estufa.
4. Utilice una toalla de papel o un paño de limpieza para estufas cerámicas para limpiar toda la superficie de la estufa.

5. Use un paño seco o una toalla de papel para quitar los restos del limpiador. No hace falta enjuagar.

NOTA: Es muy importante que **NO CALIENTE** la estufa hasta que la haya limpiado por completo.



Limpie la estufa después de cada derrame. Utilice el limpiador de estufas cerámicas



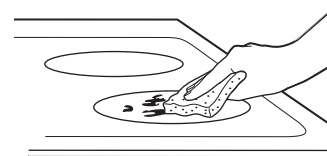
Para acceder a videos de limpieza e instrucciones, escanee el código QR con su dispositivo.

Residuos pegados

NOTA: Se podrán producir **DAÑOS** sobre la superficie de vidrio si utiliza estropajos que no sean los recomendados.

1. Deje enfriar la estufa.
2. Coloque unas gotas del limpiador de estufas cerámicas sobre toda el área de residuos pegados.
3. Utilizando un paño de limpieza para superficies de cocción de cerámica, frote el área sucia aplicando presión según sea necesario.
4. Si quedan restos, repita los pasos indicados con anterioridad.

5. Para protección adicional, después de haber quitado todos los restos, pula toda la superficie con limpiador de estufas cerámicas y una toalla de papel.

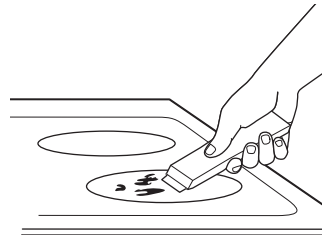


Utilice un paño de limpieza para estufas cerámicas.

Limpieza de la Placa de Cocción

Residuos pegados rebeldes

1. Deje enfriar la estufa.
2. Utilice el raspador de filo único a un ángulo aproximado de 45 grados contra la superficie del vidrio y raspe la suciedad. Puede ser necesario aplicar presión al raspador para quitar la suciedad.
3. Después de utilizar el raspador, coloque unas gotas de limpiador de estufas cerámicas sobre toda el área de suciedad quemada. Utilice el paño de limpieza para quitar la suciedad restante.
4. Para protección adicional, después de haber quitado todos los restos, pula toda la superficie con limpiador de estufas cerámicas y una toalla de papel.



La espátula para superficies de cocción de cerámica y todos los elementos recomendados se encuentran disponibles a través de nuestro Centro de Piezas. Consulte las secciones de Accesorios y Soporte al Consumidor al final de este manual.

NOTA: No utilice hojas desafiladas o dañadas.

Marcas de metal y rayones

1. Tenga cuidado de no deslizar ollas y sartenes a través de su estufa. Dejará marcas de metal sobre la superficie de la estufa.
Estas marcas pueden quitarse utilizando limpiador de estufas cerámicas con el paño de limpieza para estufas cerámicas.
2. Si se permite que ollas con una capa fina de aluminio o cobre hiervan en seco, la capa puede dejar una decoloración negra en la estufa.

Esto debe quitarse de inmediato antes de calentar de nuevo o la decoloración puede llegar a ser permanente.

NOTA: Verifique con detenimiento que la base de las ollas no sea áspera para no rayar la estufa.

3. Tenga cuidado de no colocar bandejas de horneado de aluminio ni recipientes de platos principales congelados de aluminio sobre una superficie caliente de la placa de cocción. Éstas dejarán puntos brillantes o marcas sobre la superficie de cocción. Estas marcas son permanentes y no se podrán eliminar.

Daños por derrames azucarados y plástico derretido

Se deberá tener especial cuidado al eliminar sustancias calientes, **a fin de evitar daños permanentes sobre la superficie de vidrio**. Los derrames azucarados (como gelatinas, dulce, caramelo, jarabes) o plásticos derretidos pueden marcar la superficie de la estufa (no cubierto por la garantía) a menos que el derrame se quite mientras está caliente. Debe tenerse mucho cuidado al remover sustancias calientes.

Asegúrese de utilizar un raspador nuevo y afilado.

No utilice hojas desafiladas o dañadas.

1. Apague todas las unidades de superficie. Quite las ollas calientes.
2. Utilizando un guante de estufa:
 - a. Use un raspador de filo único para desplazar el derrame a un área fría de la estufa.
 - b. Quite el derrame con toallas de papel.

3. Cualquier derrame restante debe dejarse hasta que la superficie de la estufa se haya enfriado.

4. No use las unidades de superficie de nuevo hasta que todos los restos se hayan eliminado por completo.

NOTA: Si la superficie de vidrio ya ha sufrido marcas o hendiduras, el vidrio de la estufa deberá cambiarse. En ese caso, será necesaria la atención de un técnico.

Instrucciones de Instalación

Estufa à gas ventilación descendente
PGP9830

? Si tiene alguna pregunta, llame al 800.GE.CARES o visite nuestro sitio Web en: GEAppliances.com

EN EL ESTADO DE MASSACHUSETTS:

- Este producto lo debe instalar un plomero con licencia o un instalador de gas.
- Al usar válvulas de cierre de gas de tipo esfera, no deben ser del tipo de manija en T.
- Un conector de gas flexible, cuando se utilice, no debe superar los 3 pies.

⚠ ADVERTENCIA RIESGO DE INCENDIO O EXPLOSIÓN

Si la información de que figura en estas instrucciones no se sigue exactamente, se podrá producir un incendio o explosión, ocasionando daños sobre la propiedad, lesiones personales o la muerte.

La instalación deberá ser realizada por un instalador calificado.

Lea estas instrucciones en su totalidad y atentamente.

La instalación de este producto se deberá realizar en cumplimiento con los códigos locales, o en la ausencia de códigos locales, con el Código de Gas Combustible Nacional (National Fuel Gas Code), ANSI Z223.1/NFPA 54, edición más reciente. En Canadá, la instalación se deberá realizar de acuerdo con el Código de Instalación de Gas Natural y Propano actual, CSA B149.1, y con los códigos locales cuando corresponda. Este producto fue diseñado-certificado por UL de acuerdo con ANSI Z21.1/CSA 1.1, edición más reciente.

Al instalar un electrodoméstico a gas, el uso de conectores flexibles viejos podrá ocasionar pérdidas de gas y lesiones personales. Siempre use un conector flexible NUEVO.

La prueba de pérdidas del electrodoméstico se deberá realizar de acuerdo con las instrucciones del fabricante.

No instale este producto con una campana con cortina de aire u otra campana para superficies de cocción que funcione llevando aire a la superficie de cocción. Esta circulación de aire podrá interferir con el funcionamiento de los quemadores a gas, produciendo riesgos de incendio o explosión.

⚠ ADVERTENCIA

Antes de comenzar la instalación, desconecte el interruptor de suministro eléctrico en el panel de servicio y cierre el mecanismo de seguridad para evitar que alguien lo conecte accidentalmente. Cuando no exista un dispositivo de cierre de seguridad, amarre un aviso visible, como una etiqueta al panel de servicio haciendo la advertencia.

⚠ ADVERTENCIA

Para reducir el riesgo de incendios, use sólo conductos metálicos.

POR SU SEGURIDAD

Si percibe olor a gas:

1. Abra las ventanas.
2. No toque los interruptores eléctricos.
3. Apague cualquier llama abierta.
4. Llame de inmediato a su abastecedor de gas.

No almacene o use gasolina u otros vapores y líquidos inflamables en la cercanía de este o cualquier otro aparato.

Instrucciones de Instalación

ANTES DE COMENZAR

Lea estas instrucciones completa y cuidadosamente.

- **IMPORTANTE** — Guarde estas instrucciones para ser usadas por el inspector local.
- **IMPORTANTE** — Observe todos los códigos y ordenanzas aplicables.
- **IMPORTANTE** — Retire todo el envoltorio, los materiales y las instrucciones, antes de conectar el suministro de gas y electricidad a la superficie de cocción.
- **IMPORTANTE** — Para evitar daños sobre los gabinetes, controle con su constructor o proveedor de gabinetes que los materiales usados no produzcan descoloración, deslaminado, ni generen otros daños. Este electrodoméstico fue diseñado de acuerdo con los requisitos de UL y CSA International y cumple con las temperaturas máximas permitidas para gabinetes de madera de 194°F (90°C).
- **Nota al instalador** – Cerciérese de dejar estas instrucciones con el Consumidor.
- **Nota al consumidor** – Guarde estas instrucciones para referencia futura.
- **Servicio Técnico** - El diagrama eléctrico está ubicado dentro de la superficie de cocción.
- La instalación apropiada es la responsabilidad del instalador.
- Si este producto falla por una instalación inapropiada, la Garantía no cubrirá este producto.

Casas Móviles – Requisitos de Información Adicional
La instalación de este producto se deberá realizar de acuerdo con el Estándar de Construcción y Seguridad de Casas Prefabricadas (Manufactured Home Construction and Safety Standard), Título 24 CFR, Parte 3280 (previamente el Estándar Federal para la Construcción y Seguridad de Casas Móviles (Federal Standard for Mobile Home Construction and Safety), Título 24, HUD Part 280). Cuando dicho estándar no sea aplicable, siga el Estándar de Instalación de Casas Prefabricadas (Standard for Manufactured Home Installations), ANSI A225.1/ NFPA 501A o los códigos locales.

En Canadá, la instalación de este producto deberá ser realizada de acuerdo con los estándares de la edición más reciente de CAN/CSA-A240, o con los códigos locales.

Cuando la superficie de cocción se instale en una casa móvil, se deberá ajustar de forma segura durante el tránsito. Cualquier método para asegurar la superficie de cocción es adecuado, siempre y cuando se realice conforme con los estándares que figuran más arriba.

Tráilers para Parques Recreativos – Requisitos de Instalación Adicional

La instalación de este producto se deberá realizar de acuerdo con los códigos estatales y locales o, en ausencia de dichos códigos, con el Estándar de Tráilers para Parques Recreativos (Standard for Recreational Park Trailers), ANSO A119.5.

HERRAMIENTAS QUE NECESITARÁ

- Cinta adhesiva de conductos
- Tornillos para hojas metálicas
- Trabajo de conductos que es apropiado para la instalación
- Válvula de cierre manual para tubería de gas
- Sellador para junta de tubería o cinta para tubería roscada aprobada por UL con Teflón*, resistente a la acción de los gases natural y propano.
- Conector metálico flexible para electrodoméstico (1/2" o 3/4" de diámetro interior), cuando los códigos locales lo permitan. Se recomienda una longitud de 5 pies para una fácil instalación, pero otras longitudes son aceptables. Nunca use un conector viejo al instalar una superficie de cocción nueva.
- Adaptador para unión abocardada para la conexión al suministro de gas (3/4" o 1/2" NPT x 1/2" diám. Int.)
- Adaptador de unión abocardada para la conexión al regulador de presión en la estufa (1/2" NPT x 1/2" diám. Int.)
- Detector de pérdida de líquido o agua con jabón.

MATERIALES QUE PUEDE NECESITAR

- Gafas de Seguridad
- Sierra
- Pencil
- Cinta métrica o escala
- Escuadra de carpintero
- Llave de tubos
- Llave ajustable o juego de cubos (7/16" cubo de y trinquete)
- Taladradora y broca
- Llave de tuercas de 1/4"
- Destornillador con cabeza plana

KIT DE CONVERSIÓN CON ORIFICIO PARA ALTITUD ELEVADA

Se utiliza para el funcionamiento de la cocina en elevaciones que superan los 5000 pies (1500 m).

Especifique si el kit es para Gas Natural o LP al ordenar:

Kit de Conversión con Orificio para Altitud Elevada a gas Natural WB28X10114

Kit de Conversión con Orificio para Altitud Elevada a gas LP WB28X10115

Para realizar una orden, por favor visite nuestro sitio web en geappliances.com/parts o llame a nuestra línea gratuita:

Centro partes de nacional 800.626.2002

CORTE DE LA ENCIMERA

Si instalará la superficie de cocción en una superficie con un material sólido tal como granito, cuarzo u otra superficie sólida natural o sintética, le recomendamos que el corte sea realizado por un instalador profesional de gabinetes o encimeras.

Los cortes de aberturas para superficies de cocción en encimeras de madera o madera laminada se podrán realizar usando un cierra de vaivén y un taladro eléctrico.

Instrucciones de Instalación

INSTRUCCIONES DE SEGURIDAD IMPORTANTES

La estufa es un diseño que ha sido certificado por la Asociación Norteamericana de Gas. Como sucede con cualquier aparato que utilice gas y genere calor, hay ciertas precauciones de seguridad que debe seguir. Encontrará estas precauciones en la sección Instrucciones importantes de seguridad en esta manual. Léala detenidamente.

- Asegúrese de que la estufa sea instalada adecuadamente por un técnico calificado o un técnico en servicio.
- La estufa debe tener conexión a tierra de acuerdo con los códigos locales, o en ausencia de éstos, con el Código Eléctrico Nacional ANSI/NFPA No. 70 o el Código de Electricidad de Canadá (Canadian Electric Code), CSA C22.2-02.
- La instalación, el ajuste, la alteración, el servicio o mantenimiento incorrectos pueden causar lesiones o daños a la propiedad. Consulte este manual. Para asistencia o información adicional, consulte a un instalador calificado, agente de servicio, fabricante (distribuidor) o al abastecedor de gas.
- Desconecte el suministro eléctrico antes de dar servicio al aparato.
- Nunca reutilice conectores flexibles viejos. Usarlos podría causar fugas de gas y lesiones personales. Siempre use conectores flexibles NUEVOS al instalar un electrodoméstico a gas.

- Asegúrese de que los recubrimientos de las paredes que están alrededor de la estufa resistan el calor generado por la estufa hasta 200 °F (93 °C).
- Evite colocar gabinetes encima de la estufa.
- Si se colocan gabinetes encima de la estufa, permita una tolerancia mínima de 30" entre la superficie de cocción y el fondo del gabinete no protegido.
- Si los gabinetes están colocados por encima de la estufa, use gabinetes de no más de 13" de profundidad.
- Si una tolerancia de 30" entre la superficie de cocina y el material combustible encima de la estufa o los gabinetes metálicos no pueden mantenerse, proteja la parte de abajo de los gabinetes que se encuentran en la parte superior de la estufa con no menos de 1/4" (6,4 mm) de cartón y aislante o lámina de yeso de al menos 3/16" (4,8 mm), cubierta con una hoja de metal de calibre 28 o de cobre 0,020" (0,5 mm) de espesor.
- La distancia entre la superficie para cocinar y los gabinetes protegidos **NUNCA DEBE SER MENOR QUE 24 PULGADAS** (61 cm). La distancia vertical desde la superficie para cocinar hasta la parte inferior de los gabinetes adyacentes superiores que se extienden más de 1" (2,5 cm) a los lados del plano de la estufa no debe ser menor de 18" (45,72 cm).

RANGOS DEL SOPLADOR DE ESCAPE

⚠ ADVERTENCIA ADVERTENCIA DE SEGURIDAD DEL SOPLADOR DE ESCAP

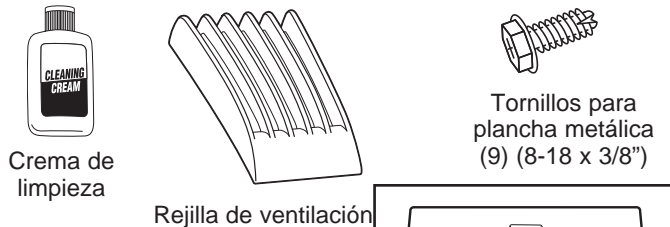
Es necesario contar con suficiente cantidad de aire para una combustión y salida de gases adecuadas a través del conducto (chimenea) del equipo de consumo de combustible, a fin de evitar descargas. Siga las pautas del fabricante del equipo de calefacción y los estándares de seguridad, tales como aquellos publicados por la Asociación Nacional de Protección contra Incendios (National Fire Protection Association, NFPA), la Sociedad Estadounidense para la Calefacción (American Society for Heating), los Ingenieros de Refrigeración y Acondicionadores de Aire (Refrigeration and Air Conditioning Engineers, ASHRAE) y las autoridades de los códigos locales. Cuando corresponda, instale un sistema de reposición (reemplazo) de aire de acuerdo con los requisitos del código local de construcción.

Para acceder a soluciones relacionadas con la reposición de aire, visite GEAppliances.com.

Instrucciones de Instalación

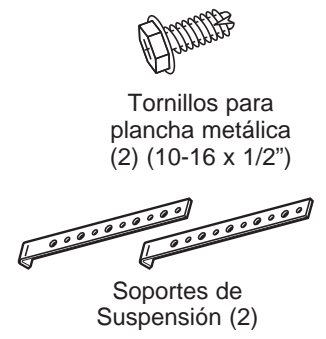
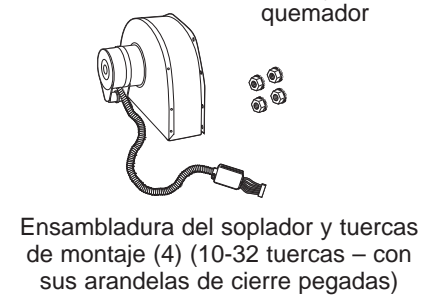
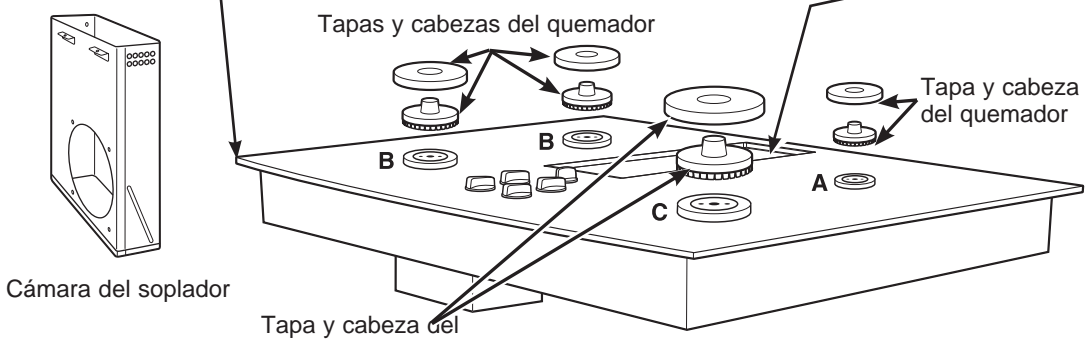
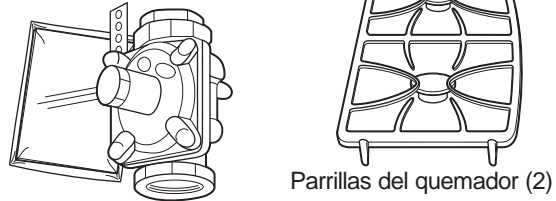
PARTES INCLUIDAS

Asegúrese que todos los materiales de empaque y cintas se hayan retirado. Esto incluye cintas sobre las perillas de control (si corresponde), cinta adhesiva, cintas de ajuste, cartón y plástico protector. Si estos materiales no se retiran se puede producir como resultado un daño sobre el electrodoméstico, una vez que el mismo fue encendido y las superficies se calientan.



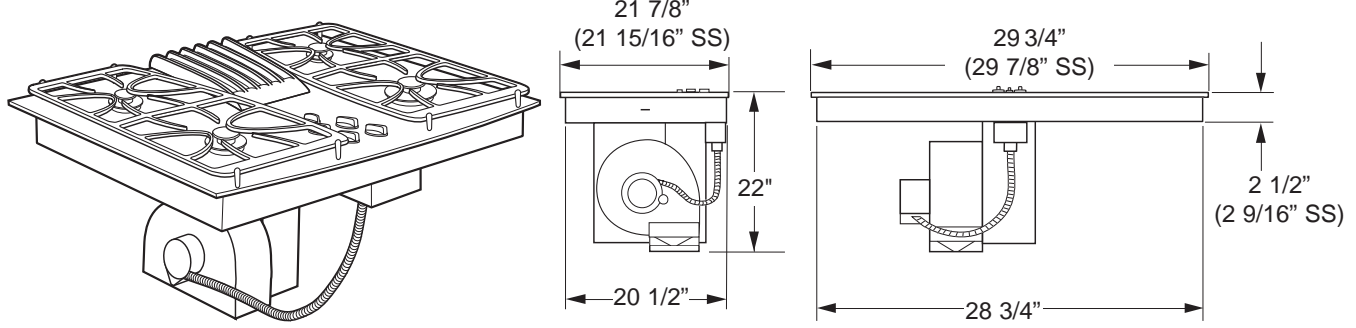
PRECAUCIÓN
EL VIDRIO ES FRÁGIL NO CHOQUE LA ESQUINAS DEL VIDRIO DURANTE LA INSTALACIÓN

PRECAUCIÓN
NO LEVANTE POR LA ABERTURA DE VENTILACIÓN O CHOQUE EL VIDRIO



ESTUFA DE 30" (DIMENSIONES PARA REFERENCIA SOLAMENTE)

La unidad se muestra totalmente ensamblada.



La unidad debe tener ventilación hacia el exterior!

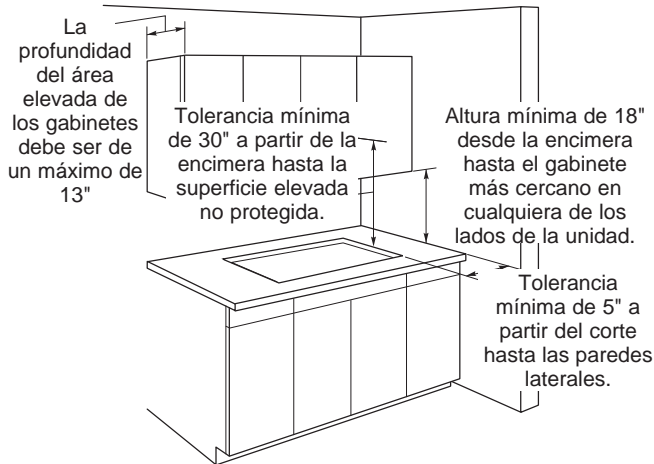
PREPARACIÓN DE LA INSTALACIÓN

1. PREPARACIÓN PARA LA INSTALACIÓN

Posicionamiento de la superficie de cocción

La estufa está diseñada para lucir mejor cuando está centrada en un gabinete de por lo menos 30" de ancho.

La ventanilla de escape debajo de la estufa debe estar localizada entre los bajantes de la pared o entre las vigas del piso de forma que el trabajo de conductos pueda ser instalado apropiadamente.



El sistema de ventilación descendente con soplador, motor y trabajo de conductos ocupará el gabinete debajo de la estufa. Usted no debe instalar gavetas debajo de esta estufa.

Evite colocar gabinetes encima de la unidad, si es posible, para reducir los peligros causados por tener que intentar alcanzar sobre unidades de superficie calentadas.

Si se usan gabinetes encima de la estufa, deje una tolerancia mínima de 30" entre la superficie de cocina y el fondo de cualquier gabinete no protegido.

Si la tolerancia entre la estufa y la gabinetes es menor de 30", el gabinete debe protegerse con una plancha retardante de llamas de por lo menos 1/4" de grueso, cubierta con una plancha metálica de acero calibre 28 o con una plancha de cobre de 0.020". La tolerancia entre la estufa y la gabinetes protegida **NUNCA DEBE SER MENOR DE 24"**.

EXCEPCIÓN: La instalación de un horno de microondas especificado o de un electrodoméstico de cocina sobre una estufa debe conformarse a las instrucciones de instalación empacadas con ese electrodoméstico.

Áreas de trabajo adyacentes debe mantener una tolerancia por lo menos de 18" entre la encimera y el fondo del gabinete. Si la tolerancia es menor de 18", los gabinetes adyacentes deben ser de por lo menos 5" desde el lado extremo de la estufa.

2. PREPARACIÓN DEL GABINETE DE LA BASE

Esta estufa está diseñada para ajustar fácilmente en una variedad de gabinetes. Sin embargo, la instalación combinada de una estufa y ventilación descendente requiere consideración cuidadosa.

Algunos gabinetes podrían requerir modificaciones.

Esta instalación requiere un gabinete de base de una profundidad mínima de 24". El gabinete debe ser de por lo menos 30" de ancho.

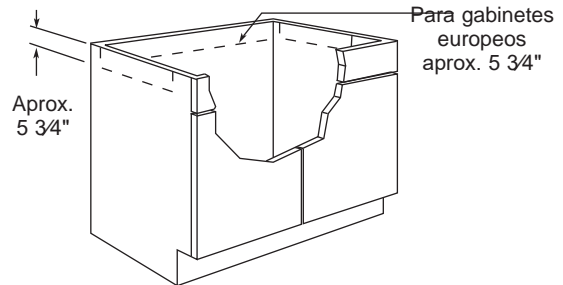
Preparando un gabinete que ajuste contra la pared

En algunos gabinetes, los lados podrían necesitar ser rebajados o cortados 5 3/4" como se muestra en la figura, y las abrazaderas de las esquinas removidas para acomodar la unidad.

En gabinetes europeos sin forma de 75 cm y 90 cm, el panel posterior podría necesitar ser rebajado hasta 5 3/4" para acomodar la unidad.

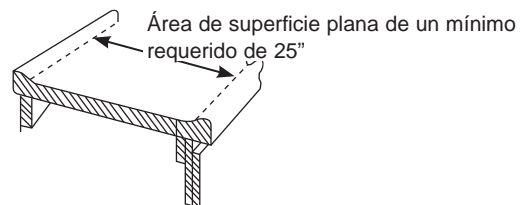
Preparando un gabinete tipo península o tipo isla

En gabinetes tipo península o isla, los lados podrían necesitar ser rebajados o cortados, y las abrazaderas de las esquinas removidas para acomodar la unidad.



3. PREPARANDO LA ENCIMERA

La encimera debe tener una superficie plana profunda para acomodar la estufa y la ventilación. Las encimeras con un extremo frontal rodado y "backsplash" puede no proporcionar el área de superficie plana requerida.



Un área plana de 1/2" de ancho se requiere alrededor del extremo de la abertura para soportar la unidad. La unidad debe ser nivelada y sentarse derecha en la abertura de la encimera.

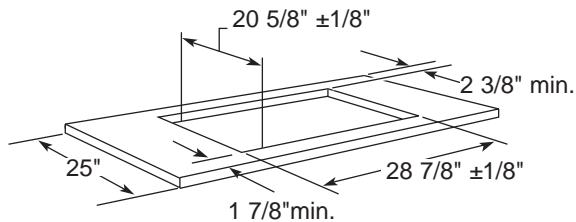
Instrucciones de Instalación

PREPARACIÓN DE LA INSTALACIÓN (Cont.)

3. PREPARANDO LA ENCIMERA (Cont.)

Con cuidado corte la abertura de la encimera de acuerdo con las dimensiones mostradas en la ilustración. Cerciórese de que la abertura es cortada derecha, con los lados paralelos entre sí y con la parte posterior exactamente perpendicular a los lados.

Para la instalación de la isla, deje un espacio mínimo de 1 7/8" desde la abertura hasta el extremo frontal, un espacio mínimo de 2 3/8" desde la abertura hasta el extremo trasero, y un espacio mínimo de 5" desde la abertura hasta los extremos laterales de la encimera.

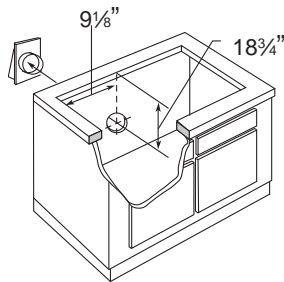


4. PREPARACIONES PARA LOS CONDUCTOS

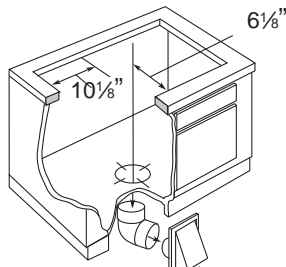
NOTA: El trabajo de conductos DEBE tener ventilación hacia el exterior. NO VENTILE hacia las paredes, techo, esquinas, áticos o cualquier otro lugar cerrado.

Corte un agujero en la pared del gabinete o en el piso del gabinete según sea apropiado para su instalación. Cerciórese de que los tubos de escape están localizados entre los bajantes de la pared o las vigas del piso.

NOTA: Cuando se encuentre cortando o taladrando en la pared o en el techo, no dañe los alambros eléctricos u otras utilidades escondidas. Asegúrese de que cualquier abertura en la pared detrás del electrodoméstico y en el piso debajo del electrodoméstico esté sellada de forma apropiada.



Ventilación de la pared posterior



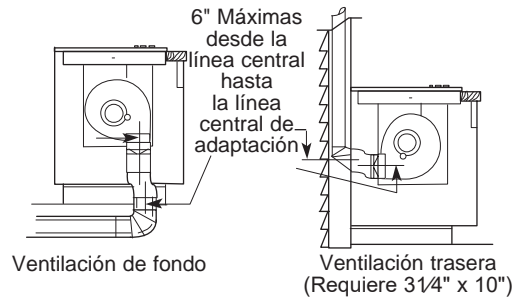
Ventilación vertical

5. ALINEACIÓN DE LOS CONDUCTOS DEL SOPLADOR

En general, no instamos al uso de conductos flexibles porque éste puede causar severas restricciones del flujo de aire. Sin embargo, si la salida del soplador y la localización en la pared o en el piso representa un problema de alineación, entonces usted puede usar conductos METÁLICOS para adaptar la compensación. Un buen centramiento sin necesidad de conductos flexibles es lo preferido.

NOTA:

- No exceda la adaptación máxima recomendada de 6".
- No permita que el conducto flexible se doble o que colapse.
- Alargue el conducto flexible tanto como sea posible para evitar la corrugación tanto como sea posible.



Un rectángulo de 3 1/4" x 10" a una transición de conducto redondo de 6" está disponible en su tienda de suministros para construcción local.

NOTA: Las ilustraciones son simplemente para que usted planifique.

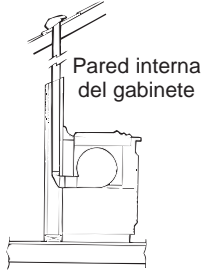
Instrucciones de Instalación

PREPARACIÓN DE LA INSTALACIÓN (Cont.)

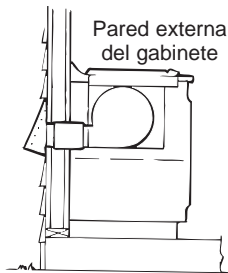
6. PREPARACIÓN DEL CONDUCTO

Determine el mejor recorrido para el conducto; el mismo puede ser conducido de diferentes formas dependiendo del esquema de la cocina.

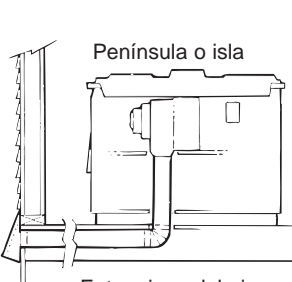
IMPORTANTE: La salida de la descarga de aire descendente para esta unidad es rectangular, y con una medida de 3 1/4" x 10". Planifique el recorrido de forma consecuente.



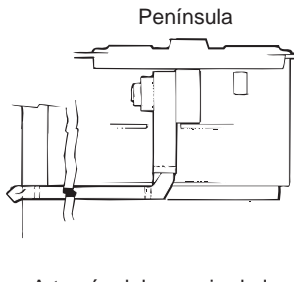
Pared interna hacia arriba hasta el techo o parte saliente



Directamente hacia el exterior



Entre vigas del piso



A través del espacio de las patas del gabinete

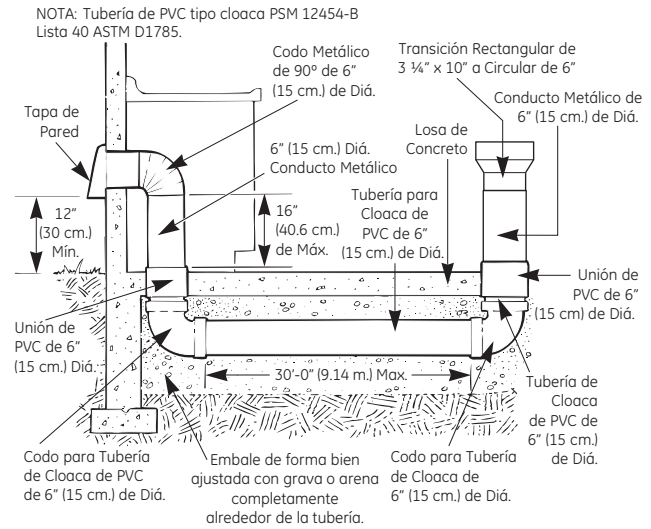
Serie de mesadas con distribución típica de tuberías.

A fin de maximizar el rendimiento de la ventilación del sistema de ventilación:

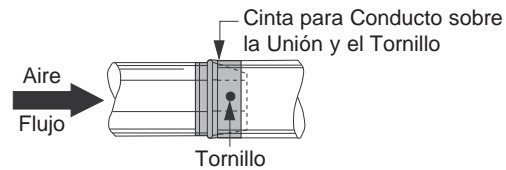
1. Minimice la longitud del conducto y el número de transiciones y codos.
2. Mantenga un tamaño de tubería constante.
3. Selle todas las juntas con cinta para conductos a fin de evitar pérdidas.
4. No utilice tuberías flexibles de ningún tipo.

De ser necesario, instale un sistema de reposición (reemplazo) de aire de acuerdo con los requisitos del código local de construcción. Para acceder a soluciones relacionadas con la reposición de aire, visite GEAppliances.com.

- Arreglo opcional del conducto bajo una losa de concreto. Se deberá usar un conducto de PVC si se instalará bajo una losa de concreto.



- Instale la tubería de modo que el trozo de conducto más cercano a la unidad descendente encaje DENTRO DE la siguiente pieza del conducto. Asegure las uniones con tornillos autorroscantes y coloque cinta para conductos alrededor de las uniones, a fin de sellar la salida de aire.



Instrucciones de Instalación

PREPARACIÓN DE LA INSTALACIÓN (Cont.)

7. SUMINISTRO DE GAS

Estas estufas están diseñadas para operar con gas natural a una presión de columna de agua de 4" o en gas LP a una presión de columna de agua de 10".

- Estas estufas son enviadas desde la factoría preparadas para gas natural. Si usted decide usar esta estufa con gas LP, los ajustes de conversión deben ser hechos por un técnico de servicio u otra persona calificada.
- El regulador de presión debe estar conectado en serie con el múltiple o manifold de la estufa y debe permanecer en serie con la línea de suministro sin importar el tipo de gas que se esté usando.

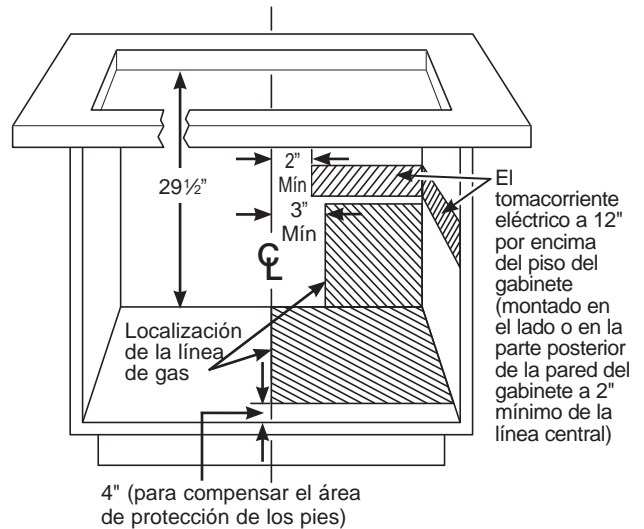
Para una operación apropiada, la presión de entrada máxima hacia al regulador no debe ser mayor de 10" de presión de columna de agua para gas natural y de 14" para gas LP.

- Cuando se encuentre inspeccionando el regulador, la presión de entrada debe ser por lo menos de 1" mayor que la del ajuste de salida del regulador. Si el regulador está ajustado para una presión de columna de agua de 4", la presión de entrada debe ser de por lo menos 5". Si el regulador está ajustado para una presión de columna de agua de 10", la presión de entrada debe ser de por lo menos 11". Para facilitar la instalación, y si los códigos locales lo permiten, la línea de suministro de gas hacia la estufa debe contar con un conector de electrodomésticos de metal flexible de 1/2" ó 3/4" ID, de tres a cuatro pies de longitud.

NOTA: Compre una línea flexible nueva. NO USE UNA LÍNEA USADA ANTERIORMENTE.

- Haga la conexión de gas a través de la pared posterior, o a través el piso del gabinete en la parte posterior, como se ilustra.

8. SUMINISTRO ELÉCTRICO



La estufa de gas con ventilación descendente incorporada tiene una ignición eléctrica sin piloto para ahorro de energía y confiabilidad. Funciona con un suministro energético de 60-Hz, 120 voltios. Un circuito separado protegido por un fusible de dilatación de tiempo de 15 amperios o un interruptor de circuito es necesario.

- Un receptáculo de tres clavijas conectado a tierra debe estar localizado al alcance del cable eléctrico de cuatro pies de la estufa.

IMPORTANTE: (Por favor lea cuidadosamente.) EN POS DE LA SEGURIDAD PERSONAL, ESTE ELECTRODOMÉSTICO DEBE ESTAR CONECTADO A TIERRA.

El cable eléctrico de este electrodoméstico está equipado con un enchufe de tres clavijas (conexión a tierra) que encajan con el receptáculo estándar de la pared de tres clavijas para minimizar la posibilidad del peligro de una descarga eléctrica en este electrodoméstico. El cliente debe hacer que un técnico inspeccione el enchufe y el circuito para cerciorarse de que están conectados apropiadamente a tierra y de que tienen la polaridad correcta.

Donde se encuentre un enchufe de dos clavijas, es responsabilidad y obligación personal del cliente hacer que este enchufe sea reemplazado por uno de tres clavijas apropiadamente conectado a tierra.

Bajo ninguna circunstancia corte o remueva la tercer clavija del cable eléctrico. ¡No lo haga!

No use un cable de extensión.

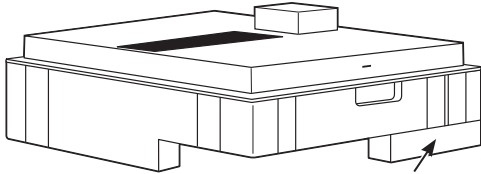
Instrucciones de Instalación

INSTALACIÓN DE LA SUPERFICIE DE COCCIÓN

9. CÓMO INSTALAR LA JUNTA DE ESPUMA

No instale la estufa en la encimera sin haber instalado la junta de espuma como se muestra. Esta protege el extremo inferior del vidrio de la encimera y sella la estufa contra derrames.

Remueva la estufa junto a sus almohadillas de empaque de la caja de envío. Remueva el bloque de envío de la abertura de ventilación descendente (downdraft) y colóquela debajo de la almohadilla de envío para proporcionar apoyo de nivel.



Centre el bloque de envío de la ventilación debajo de la almohadilla de envío para proporcionar apoyo de nivel.

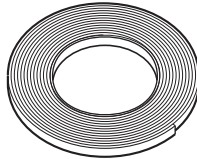
⚠ PRECAUCIÓN

EL VIDRIO ES FRÁGIL. NO GOLPEE LOS EXTREMOS DEL VIDRIO DURANTE LA INSTALACIÓN.

Localice le cinta de junta de espuma incluida con su estufa.

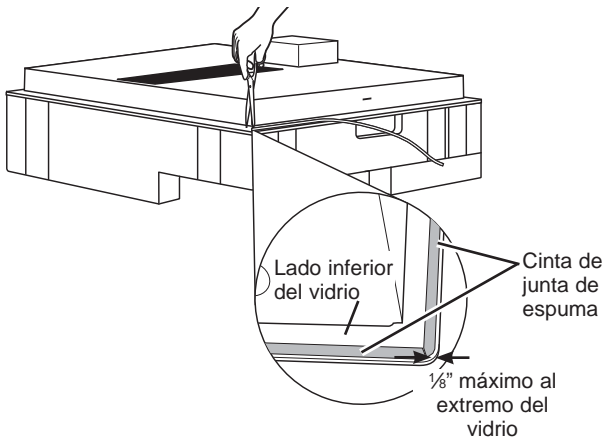
Pula los extremos ásperos en el corte.

Pele la parte posterior blanca para instalar la cinta de la junta de espuma en el lado del fondo del vidrio de la estufa.



Notas sobre la instalación de la junta de espuma:

- La cinta de junta de espuma debería ser instalada dentro de 1/8" del extremo del vidrio. No alargue o doble la cinta de junta de espuma.



⚠ PRECAUCIÓN

No instalar la cinta de junta de espuma aumenta el potencia de que el vidrio de la estufa se rompa cuando se esté instalando, especialmente en encimeras Corian® o de granito.

9. CÓMO INSTALAR LA JUNTA DE ESPUMA (Cont.)

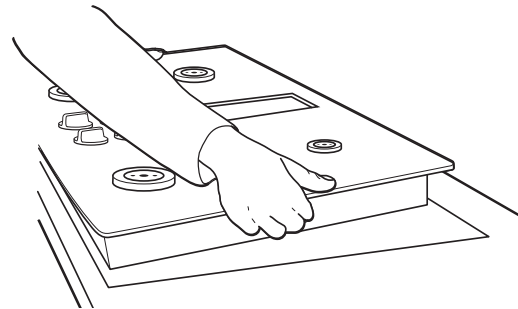
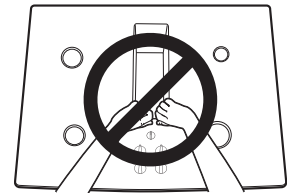
- Use cuidado extremo de no alargar la cinta de junta de espuma mientras la instala o no permanecerá en su lugar.
- No coloque la cinta de junta de espuma sobre los bordes metálicos.
- Empalme los extremos de la cinta de junta de espuma en cada esquina sin que una quede encima de la otra.
- Cubra todo el marco con la cinta de junta de espuma sin alargarla.
- Corte las esquinas externas de la cinta de junta de espuma ligeramente si fuera necesario para que luzca bien.
- No rasguñe el vidrio mientras corta la cinta de junta de espuma.

10. CÓMO INSTALAR LA ESTUFA

⚠ PRECAUCIÓN

NO LEVANTE POR LA ABERTURA DE VENTILACIÓN.

Levante la estufa por los extremos del lado del vidrio como se muestra.



- Ubique el tomacorriente eléctrico y la válvula de cierre de gas debajo del gabinete. **NOTA:** No use la abertura de ventilación superior de vidrio para levantar o mover la superficie de cocción.
- Inserte la superficie de cocción centrada dentro la abertura del encastre. **NOTA:** No use la abertura de ventilación superior de vidrio para levantar o mover la superficie de cocción hasta su posición. El vidrio es frágil – no permita que caiga sobre la superficie de cocción. Sostenga el mismo desde el lado inferior y haga que descienda de forma lenta. Con cuidado, retire los dedos de una esquina a la vez para hacer descender la superficie de cocción hasta su posición.

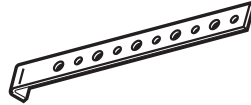
Instrucciones de Instalación

INSTALACIÓN DE LA SUPERFICIE DE COCCIÓN (Cont.)

10. INSTALLING THE COOKTOP (Cont.)

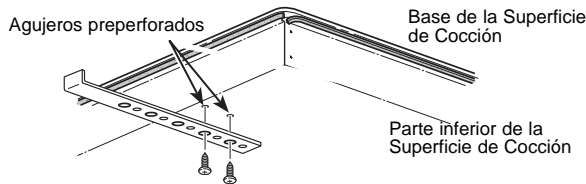
C. Asegúrese de que el extremo frontal de la encimera quede paralelo a la superficie de cocción. Haga el control final para verificar que se cumpla con todos los espacios libres necesarios.

D. Ubique y retire los soportes de suspensión del paquete del kit de instalación.



E. Adhiera los soportes sobre el lado inferior de la superficie de cocción. Retire los tornillos de la parte inferior de la superficie de cocción y atornille el soporte de suspensión a la parte inferior de la unidad de la superficie de cocción. Repita este paso en el lado opuesto de la superficie de cocción.

F. Atornille el soporte sobre los costados del gabinete para asegurar la unidad en su ubicación.



Instalación Alternativa:

Usted puede ordenar el kit de instalación alternativo WB01X24570 con tuercas mariposa y soportes llamando al 800.GE.CARES. Consulte el diagrama para acceder a instrucciones.

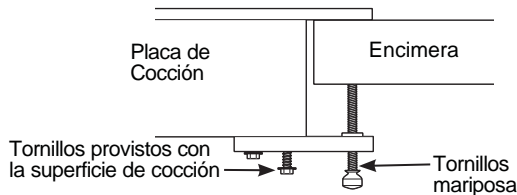
Para colocar soportes de instalación opcionales:

Quite los 2 tornillos a ambos lados bajo la estufa.

Alinee el soporte de instalación opcional bajo la estufa y reinstale los tornillos a través de la ranura del soporte.

Haga esto en ambos lados de la estufa.

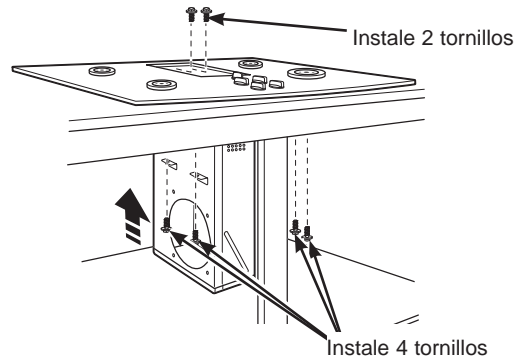
Introduzca el tornillo de apriete a través del orificio del soporte y ajuste para fijar la estufa al mostrador de encimera. Repita en el otro lado.



IMPORTANTE: Gire el tornillo de apriete hasta que toque la parte inferior de la estufa. No ajuste de más.

11. CÓMO INSTALAR LA CÁMARA DEL SOPLADOR DE LA ESTUFA

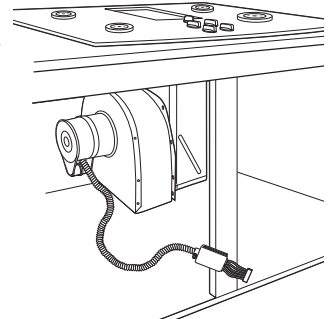
Deslice la cámara, con la abertura del soplador del lado izquierdo, en la abertura en el fondo de la estufa. Empuje la cámara hasta que se detenga cuando la cámara haga contacto con el fondo de la estufa, y la cámara encaje en su lugar. (Es posible que usted tenga que mover la cámara hacia adelante y hacia atrás para encontrar su lugar exacto.)



Asegure la cámara al fondo de la estufa, en cada lado, usando los cuatro (4) tornillos proporcionados. Luego asegure la cámara a la estufa, a partir del lado superior, usando los dos (2) tornillos proporcionados.

12. CÓMO INSTALAR LA CÁMARA DEL SOPLADOR

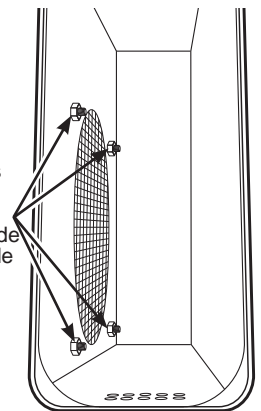
Orienté la abertura de descarga del soplador hasta que iguale el conducto en los Pasos 5 y 6. Deslice las cuatro tachuelas roscadas en el lado del alojamiento del soplador en los cuatro agujeros en el lado de la cámara.



NOTA: Ver el Paso 13 para la instalación del conducto de transición del soplador. Es posible que sea más fácil instalar el conducto de transición al soplador antes de instalar el soplador a la cámara.

A partir de la abertura de ventilación en la parte superior de la estufa, apriete la ensambladura del soplador de manera firme a la cámara con cuatro (4) tuercas.

4 tuercas (se necesita un cubo de tuercas de 7/16")

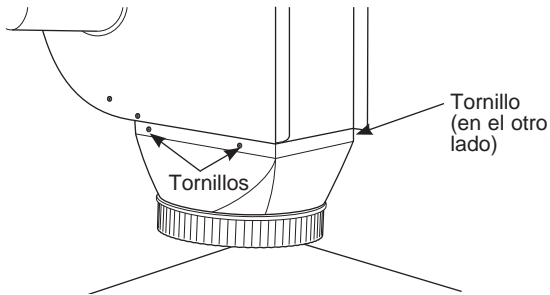


Instrucciones de Instalación

INSTALACIÓN DE LA SUPERFICIE DE COCCIÓN (Cont.)

13. CÓMO PEGAR UNA TRANSICIÓN DE SOPLADOR

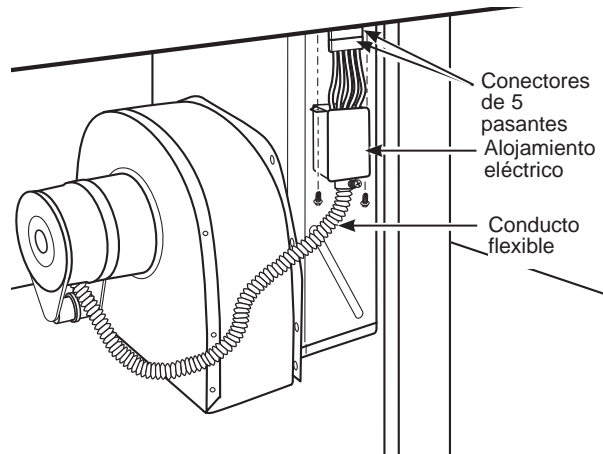
Use un conducto de transición de soplador para todas las instalaciones de conductos de flujo de aire descendente para conectar las piezas de conducto de 6" redondas. Este rectángulo de 3 1/4" x 10" a conducto de 6" redondo de transición está disponible en su ferretería local.



Instale el conducto de transición a la salida del soplador. Asegure toda las juntas con cinta adhesiva de conducto para asegurar hermeticidad.

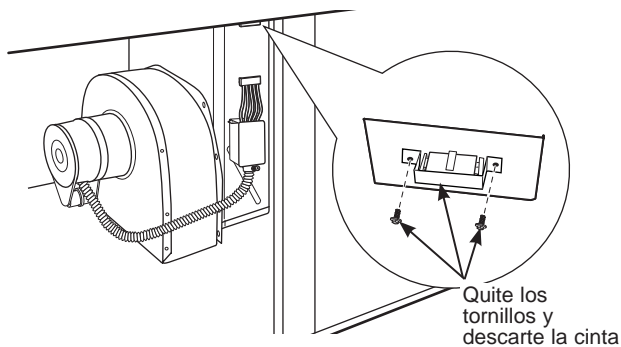
15. CONEXIONES ELÉCTRICAS DEL SOPLADOR (CONT.)

- Doble todos los alambres en el alojamiento eléctrico. Asegure el alojamiento con los tornillos removidos anteriormente, cerciorándose de que no quedaron alambres atrapados.

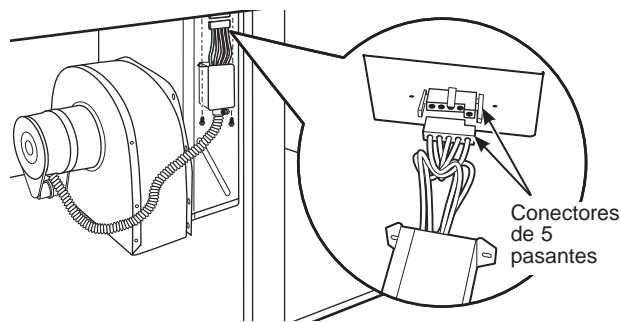


14. CONEXIONES ELÉCTRICAS DEL SOPLADOR

- Afloje los dos tornillos y remueva y descarte la cubierta del conector metálico en el fondo de la estufa. Guarde los tornillos para la reinstalación que vendrá más tarde.



- Conecte el tapón de 5 pasadores en la ensambladura para combinar con el receptáculo de 5 pasadores en el fondo de la estufa.



16. CÓMO CONECTAR LOS CONDUCTOS

Conecte la tubería preparada en los Pasos 5 y 6 al extractor.

Instrucciones de Instalación

INSTALACIÓN DE LA SUPERFICIE DE COCCIÓN (Cont.)

17. INSTALACIÓN DEL REGULADOR DE PRESIÓN

⚠ ADVERTENCIA RIESGO DE EXPLOSIÓN: No realice una torsión superior a 25 pies-libras al realizar conexiones de tuberías de gas. Cualquier ajuste en exceso podrá romper el regulador de presión, resultando en riesgo de incendio o explosión.

- Se deberá usar el regulador de presión de gas suministrado con esta estufa.
- Cierre la válvula principal de suministro de gas antes de desconectar su antigua superficie de cocción y deje la misma apagada hasta que la nueva conexión se haya completado. No olvide volver a encender el piloto de otros electrodomésticos a gas cuando vuelva a abrir la llave de gas.
- Para todas las conexiones, use un sellador para tubos aprobado por los códigos locales y que sea resistente a la actividad del gas LP.
- Instale el regulador de presión en la tubería de gas lo más cerca posible de la entrada de la cocina para permitir el despeje del conducto de ventilación.
- Asegúrese que la flecha sobre el cuerpo del regulador esté apuntando en forma directa hacia la cocina. Cualquier otra posición afectará la presión de salida del regulador. Esta flecha indica que el flujo de gas es correcto.
- Instale una válvula de cierre manual de la tubería de gas en una ubicación de fácil acceso.
 NOTA: En vez de usar tubería sólida para conectar el regulador de presión, un conector de electrodomésticos metálico flexible podría usarse entre la válvula de cierre y el regulador de presión, si los códigos locales lo permiten.
- Si se usará el método con tubería dura, usted deberá alinear la misma con cuidado. No será posible mover la superficie de cocción una vez realizada la conexión.
- Se requieren tuercas abocinadas apropiadas y adaptadores en cada extremo del conector flexible.

PRUEBA DE FUGAS

⚠ ADVERTENCIA ¡NO USE UNA LLAMA PARA PROBAR SI EXISTE ALGUNA FUGA DE GAS! No use la estufa hasta que todas las conexiones hayan sido probadas en busca de fugas.

Lleve a cabo una prueba de fugas conforme a las instrucciones siguientes:

1. Compre un detector de fugas líquido o prepare una solución de jabón y agua. Una parte de agua una parte detergente líquido.
2. Cuando todas las conexiones hayan sido hechas, cerciórese de que todos los controles de la estufa están apagados (OFF) y de que la válvula de suministro de gas a la estufa está accionado (ON).
3. Aplique el detector de fugas o la solución jabonosa alrededor de todas las conexiones a partir de la válvula de cierre hasta la estufa.
4. Un fuga es identificada por un flujo de burbujas del área de fuga.
5. Si usted detecta una fuga, suspenda el suministro de gas. Apriete la conexión. Conecte el gas otra vez y pruebe de nuevo.

Si la fuga persiste, suspenda el suministro de gas y póngase en contacto con su distribuidor en busca de asistencia. No intente operar la estufa si la fuga persiste.

¡IMPORTANTE: Desconecte la estufa y la válvula de cierre de la tubería de suministro de gas durante cualquier prueba de presión de ese sistema a presiones mayores de 1/2 psig. Aísle la estufa de su sistema de tubería de suministro de gas cerrando la válvula de cierre de gas individual manual hacia la estufa durante cualquier prueba del sistema de presión de las tuberías de presión de gas a una prueba de presión igual o menor de 1/2 psig.

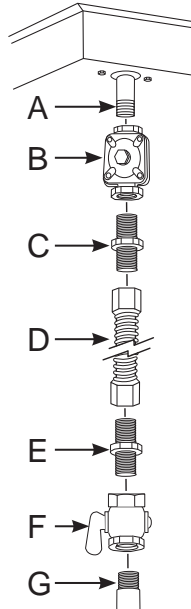
Instrucciones de Instalación

INSTALACIÓN DE LA SUPERFICIE DE COCCIÓN (Cont.)

17. INSTALACIÓN DEL REGULADOR DE PRESIÓN (Cont.)

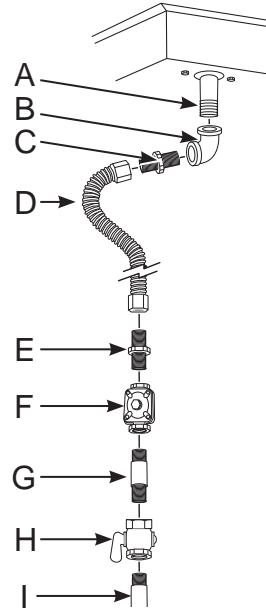
CONEXIÓN DEL CONECTOR

INSTALACIÓN TÍPICA SIN OBSTRUCCIONES
DEBAJO DE LA SUPERFICIE DE COCCIÓN



- A. Rosca macho de tubería NPT de 3/8"
- B. Regulador provisto con la unidad:
 - Salida - Rosca hembra de tubería NPT de 3/8"
 - Entrada - Rosca hembra de tubería NPT de 1/2"
- C. Adaptador
- D. Conector Rígido o Flexible
- E. Adaptador
- F. Válvula de cierre manual
- G. Tubería de gas de 1/2" o 3/4"

INSTALACIÓN ALTERNATIVA CON
OBSTRUCCIONES DEBAJO DE LA SUPERFICIE DE
COCCIÓN



- A. Rosca macho de tubería NPT de 3/8"
- B. Codo
- C. Adaptador
- D. Conector flexible (permite el paso a través de la pared del gabinete)
- E. Adaptador
- F. Regulador provisto con la unidad:
 - Salida - Rosca hembra de tubería NPT de 3/8"
 - Entrada - Rosca hembra de tubería NPT de 1/2"
- G. Tubería de gas
- H. Válvula de cierre manual
- I. Tubería de gas de 1/2" o 3/4"

Instrucciones de Instalación

INSTALACIÓN DE LA SUPERFICIE DE COCCIÓN (Cont.)

18. CONEXIONES ELÉCTRICAS

⚠ ADVERTENCIA **Riesgo de Descarga:** Este electrodoméstico deberá estar conectado a tierra de forma adecuada. Si no se cumple con esto, se podrán producir descargas eléctricas.

Un ramal de circuito de 120 voltios y 60 Hertz protegido por un interruptor de circuito de 15 ó 20 amperios o un fusible de dilatación de tiempo.

NOTA: No se recomienda para este producto el uso de interruptores automáticos, inalámbricos o con cableado externo que apagan la corriente del electrodoméstico.

PRECAUCIONES SOBRE EL USO DE CABLES DE EXTENSIÓN

Debido a los riesgos de seguridad potenciales asociados con ciertas condiciones, recomendamos enérgicamente que no use un cable de extensión. Sin embargo, si decide usar un cable de extensión, es absolutamente necesario que este cable esté clasificado UL, con 3 conductores y que sea certificado para ser usado en electrodomésticos para cargar corriente equivalentes en amperios iguales o mayores que las del ramal del circuito.

CONEXIÓN A TIERRA

Método preferido



El cable eléctrico de este electrodoméstico está equipado con un enchufe de tres clavijas (conexión a tierra) que combina con el receptáculo o tomacorriente para tres clavijas para minimizar la posibilidad del peligro de una descarga eléctrica en este electrodoméstico.

El cliente debe hacer que un técnico calificado inspeccione el tomacorriente de pared y el circuito para cerciorarse de que el tomacorriente está conectado a tierra apropiadamente.

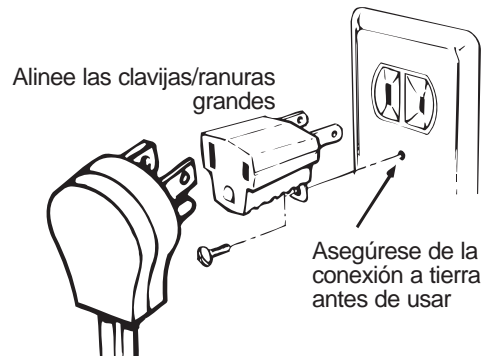
Cuando un tomacorriente de pared estándar de dos clavijas es encontrado, es su responsabilidad y obligación personal hacer que sea reemplazado con un tomacorriente de tres clavijas conectado a tierra apropiadamente.

BAJO NINGUNA CIRCUNSTANCIA CORTE O REMUEVA LA TERCER CLAVIJA DEL CABLE ELÉCTRICO. ¡NO LO HAGA!

Un adaptador podría usarse solamente con un circuito de 15 amperios. No use un adaptador con un circuito de 20 amperios. Cuando los códigos locales lo permitan, una CONEXIÓN TEMPORAL podría hacerse a un tomacorriente apropiadamente conectado a tierra de dos clavijas si el tomacorriente está autorizado por UL, los que están disponibles en casi todas las ferreterías. La ranura mayor en el adaptador debe ser alineada con la ranura mayor en el tomacorriente de la pared para proporcionar polaridad apropiada en la conexión del cable eléctrico.

Método temporal

(Los enchufes adaptadores no son permitidos en Canadá)



⚠ PRECAUCIÓN

Pegar el adaptador de la terminal de tierra al tornillo de la cubierta del tomacorriente de la pared el electrodoméstico no conecta a tierra a no ser que el tornillo sea metálico, que no esté aislado, y que el tomacorriente esté conectado a tierra a través del alambreado de la casa. El cliente debe hacer que un técnico calificado inspeccione el circuito de la residencia para cerciorarse que el tomacorriente está conectado a tierra de manera apropiada.

Cuando desconecte el cable eléctrico del adaptador, siempre sostenga el adaptador con las manos. Si no lo hace, la terminal de conexión a tierra del adaptador se podría romper a través del uso constante. Si esto sucediera, NO USE el electrodoméstico hasta que la conexión a tierra apropiada haya sido restablecida.

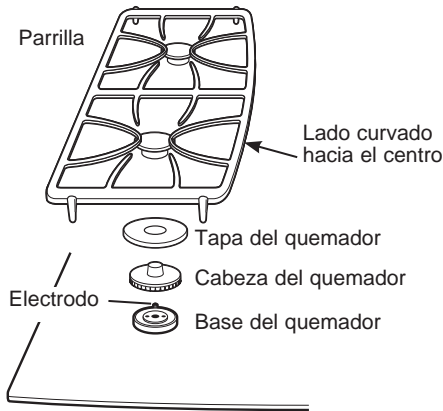
No se requieren ni se recomiendan Interruptores con Detección de Fallas a Tierra (GFCI) en receptáculos de superficies de cocción a gas. El funcionamiento de la superficie de cocción no se verá afectado si se utiliza en un circuito GFCI protegido, pero es posible que se produzcan detenciones ocasionales no deseadas del interruptor GFCI.

Instrucciones de Instalación

INSTALACIÓN DE LA SUPERFICIE DE COCCIÓN (Cont.)

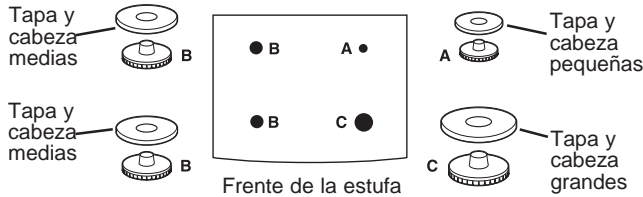
19. ENSAMBLADURA DE LOS QUEMADORES, INSPECCIONE LA IGNICIÓN

Ensamble los quemadores como se muestra.

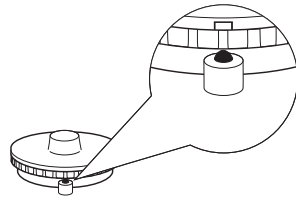


⚠ PRECAUCIÓN

No opere el quemador sin todas las partes del quemador en su lugar.



Coloque las cabezas del quemador sobre las bases del quemador combinando las letras. Coloque las tapas en las cabezas. Cerciérese de que las cabezas y las tapas están colocadas en el quemador de tamaño correcto. Las cabezas del quemador y las bases del quemador están etiquetadas A, B y C para ayudar en la ensambladura. Hay una cabeza y una tapa pequeña (A), dos medias (B) y una grande (C).



Cerciérese de que la ranura en el quemador de la cabeza está colocada hacia el electrodo. Rote la cabeza del quemador alrededor de la base del quemador hasta que

esté nivelada y asentada con seguridad.

Coloque las parrillas sobre los quemadores.

Inspeccione la ignición:

- Empuje hacia adentro un botón de control y gírele a la posición LITE (ENCENDIDO).
- El encendedor chispeará y que quemador se encenderá; el encendedor dejará de chispear cuando el quemador se encienda.
- La primera prueba podría requerir algún tiempo, mientras el aire circula a través de la línea de gas.
- Realice un control para determinar si las llamas de los quemadores son normales. Si las llamas del quemador se ven como en A, apague el quemador y asegúrese de que todas las piezas estén ensambladas correctamente. Vuelva a realizar el ensamble y haga un control. El aspecto normal de las llamas debería ser como en B o C, dependiendo del tipo de gas que use. Con gas LP, es normal que haya algunas puntas amarillas en los conos externos.



- Gire el botón a OFF (APAGADO).
- Repita el procedimiento para cada quemador.

CUANDO TODAS LAS CONEXIONES SE HAYAN COMPLETADO

Asegúrese de que todos los controles queden en la posición de apagado. Asegúrese de que la circulación de la combustión y el aire de la ventilación a la superficie de cocción estén desobstruidos.

Asegúrese que todos los materiales de embalaje y cintas se hayan retirado. Esto incluirá cinta adhesiva, nudos de cables, cartón, y plásticos protectores. Si estos materiales no se retiran, se podrá producir como resultado un daño sobre el electrodoméstico, una vez que el mismo haya sido encendido y las superficies estén calientes.

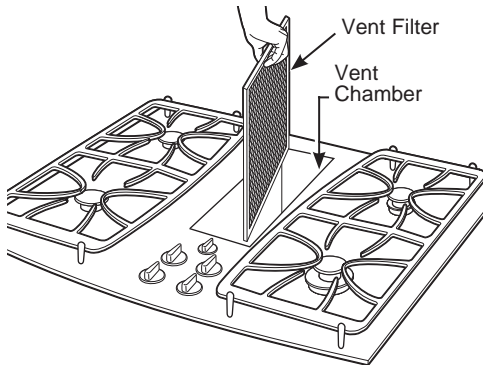
Instrucciones de Instalación

INSTALACIÓN DE LA SUPERFICIE DE COCCIÓN (Cont.)

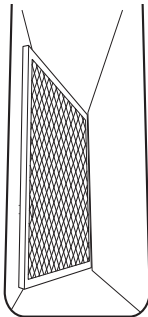
20. INSTALE EL FILTRO DE VENTILACIÓN DESCENDENTE, LA JUNTA DE VENTILACIÓN Y LA REJILLA DE VENTILACIÓN

No opere la ventilación si el filtro en su lugar.

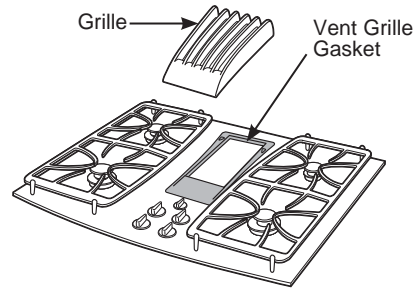
- Coloque el filtro diagonalmente a través de la abertura de ventilación.



- Cerciórese de que descansa en un ángulo, sobre los apoyos en la abertura de ventilación.



- Ajuste la junta de la rejilla de ventilación alrededor del extremo de la abertura de ventilación descendente. Cerciórese de que el frente de la junta está instalado hacia el frente de la estufa.
- Con cuidado, coloque la rejilla de ventilación sobre la junta en la abertura de ventilación descendente.




INSPECCIONES LA OPERACIÓN DE VENTILACIÓN DESCENDENTE

- Gire el control de velocidad del ventilador de ventilación a HI (ALTO), MED (MEDIO) y LO (BAJO) para cerciorarse de que todas las velocidades operan correctamente.

Consejos para la Solución de Problemas... Antes de solicitar el servicio técnico

¡Ahorre tiempo y dinero! Primero revise los cuadros que aparecen en las siguientes páginas y es posible que no necesite solicitar reparaciones.

Problema	Causa Posible	Qué Hacer
El agua no hierve		Cubra la sartén con una tapa. Apague el ventilador (Posición OFF) hasta que el agua comience a hervir.
Los quemadores amarillos o amarillentos	La calidad de combustión de las llamas de los quemadores necesita ser determinada visualmente.	Use la ilustración más adelante para determinar si la tienen llamas llama de su quemador es normal. Si las llamas del con puntas quemador lucen como A, llame al técnico de servicio. Las llamas normales deben lucir como las B o las C, dependiendo del tipo de gas que usted use. Con gas LP, las puntas de color amarillento en los conos exteriores son normales.  <p>Llamas amarillas – A Llame en busca de servicio</p> <p>Puntas amarillas en los conos exteriores – B. Normal para gas LP.</p> <p>Llamas suaves azules – C. Normal para gas natural.</p>
	Las partes del quemador no han sido reemplazadas correctamente.	Ver la sección de Limpieza de la Superficie de Cocción.
Los quemadores no encienden	El enchufe de la estufa no está completamente insertado en el tomacorriente eléctrico.	Cerciórese de que el enchufe eléctrico está conectado en un tomacorriente que tenga corriente, y que esté conectado apropiadamente a tierra.
	El suministro de gas no está conectado o no está abierta la línea.	Ver la sección sobre Instrucciones de instalación.
	El fusible en su residencia podría haberse quemado o el interruptor de circuito se voló.	Reemplace el fusible o reajuste el interruptor de circuito.
	El orificio de ignición en el cuerpo del quemador está obstruido.	Remueva la obstrucción.
	Las partes del quemador no han sido reemplazadas correctamente.	Ver Tapas, cabezas y electrodos de quemadores en la sección de Limpieza de la Superficie de Cocción.
	Las hendiduras en la cabeza del quemador se pueden atascar.	Use una aguja de coser pequeña o un sujetapapeles para desenchufar.
El sonido chispeante persiste aún cuando el quemador está apagado	Cerciórese de que el botón está en la posición OFF (apagado).	Remueva el botón empujándolo directamente hacia afuera del vástago e inspeccione el fondo del botón por si existe acumulación de suciedad.
Sonido chispeante ocasional	Cambiando la velocidad del soplador.	Este es el sonido típico en el cambio eléctrico. Esto es normal.
Las llamas del quemador son grandes o amarillas	Proporción de aire a gas no es apropiada.	Si la estufa está conectada a gas LP, póngase en contacto con la persona que hizo la conversión o la persona que hizo la instalación de la estufa.
	Las hendiduras en la cabeza del quemador se pueden atascar.	Use una aguja de coser pequeña o un sujetapapeles para desenchufar.
Las llamas del quemador producen un ruido excesivo	El quemador no se usó en forma reciente.	Si el quemador está “frío” y se lo enciende en la configuración ALTA (HI), es posible que se produzca una especie de “rugido” o “elevación” de la llama. Es posible que esto se disipe en 4 o 5 minutos.
Las llamas del quemador se mueven en dirección a la parrilla de ventilación	Ventilador configurado en velocidad alta.	Esto es normal. Si la cocción se ve afectada, cambie a una configuración de velocidad inferior del ventilador.

Consejos para la Solución de Problemas... Antes de solicitar el servicio técnico

Problema	Causa Posible	Qué Hacer
Los botones de control no gira	Los controles de la estufa están ajustados inapropiadamente.	Cuando el botón está en la posición OFF (apagado) , el botón debe empujarse hacia abajo antes de ser girado. El botón solamente se puede girar en sentido opuesto a la dirección de las agujas del reloj. Cuando el botón está en cualquier otra posición, puede girarse sin empujarse.
El ventilador no funciona	El botón de control del ventilador no está ajustado apropiadamente.	Gire el botón en la dirección de las agujas del reloj para encender el ventilador.
	El cable no está conectado apropiadamente o el suministro eléctrico está suspendido.	Inspeccione las conexiones. Restablezca el suministro eléctrico en la caja de fusibles.
Ventilación deficiente	El filtro está obstruido.	Limpie el filtro de acuerdo a las instrucciones.
	La casa no tiene buena circulación de aire.	Abra una ventana levemente para proporcionar una fuente de aire.
	La tapa de la pared está obstruida.	Remueva el bloqueo de la tapa de la pared exterior.
	La tapa del regulador de tiro de la pared está atascada.	Inspeccione la tapa de la pared exterior del regulador de tiro para movimiento libre u obstrucción.
	La longitud del conducto excede el máximo de 100 pies recomendado.	Reduzca el número de codos para simplificar la trayectoria del conducto.
Pequeñas rayas o marcas sobre el metal pueden aparecer como fisuras y abrasiones sobre la superficie de vidrio de la cocina radiante	Uso de métodos incorrectos de limpieza.	Lea la sección de Limpieza de la cocina de vidrio.
	Se usaron utensilios con partes inferiores ásperas o partículas ásperas (sal o arena) entre el utensilio y la superficie de la cocina.	Asegúrese que las partes inferiores de los utensilios estén limpias antes de su uso. Use utensilios con partes inferiores lisas. Las rayas pequeñas no se pueden eliminar pero serán menos visibles con el tiempo como resultado de la limpieza.
	El utensilio fue deslizado sobre la superficie de la cocina.	Lea la sección de Limpieza de la superficie de cocción de vidrio.
Áreas de decoloración o rayas oscuras en la estufa	Se usaron utensilios inadecuados.	Las marcas de cacerolas de aluminio y cobre, como también depósitos de minerales de agua o comida se pueden eliminar con la crema de limpieza.
	Superficies calientes en un modelo con una estufa de color pálido.	Esto es normal. La superficie podría parecer decolorada cuando está caliente. Esto es temporal y desaparecerán conforme el vidrio se enfría.
	Derrames de comida que no se limpiaron hasta el siguiente uso.	Consulte la sección de Limpieza de la Superficie de Cocción.
	Uso de métodos incorrectos de limpieza.	Use los procedimientos de limpieza recomendados.
Plástico fundido sobre la superficie	La estufa caliente se puso en contacto con un instrumento plástico colocado sobre la estufa caliente.	Ver la sección de Superficie de vidrio – potencial de daño permanente en la sección de Limpieza de la Superficie de Cocción.
Indentaciones sobre la estufa	Derrame de una mezcla de azúcar sobre la estufa.	Llame a un técnico clasificado para reemplazo.

Notas

Garantía Limitada de la Estufa Eléctrica de GE Appliances

GEAppliances.com

Todo el servicio de garantía es provisto por nuestros Centros de Servicio de Fabricación, o un técnico autorizado de Customer Care®. Para programar una visita del servicio técnico a través de Internet, visítenos en GEAppliances.com/service, o llame al 800. GE.CARES (800.432.2737). Cuando llame para solicitar el servicio, tenga los números de serie y modelo disponibles.

Para realizar el servicio técnico de su electrodoméstico, se podrá requerir el uso de datos del puerto de abordaje para su diagnóstico. Esto da al técnico del servicio de fábrica de GE Appliances la habilidad de diagnosticar de forma rápida cualquier problema con su electrodoméstico, y de ayudar a GE Appliances a mejorar sus productos al brindarle a GE Appliances la información sobre su electrodoméstico. Si no desea que los datos de su electrodoméstico sean enviados a GE Appliances, solicitamos que le indique a su técnico no entregar los datos a GE Appliances en el momento del servicio.

Por el Período de	GE Appliances reemplazará
Un Año Desde la fecha de la compra original	Cualquier parte de la estufa que falle debido a un defecto en los materiales o la fabricación. Durante esta garantía limitada de un año , GE Appliances también proveerá, sin costo , todo el trabajo y el servicio en el hogar para reemplazar la parte que presente defectos.

Qué no cubrirá GE Appliances:

- Viajes del técnico del servicio a su hogar para enseñarle sobre cómo usar el producto.
- Instalación, entrega o mantenimiento inadecuados.
- Fallas del producto en caso de abuso, mal uso, modificación o uso para propósitos diferentes al original o uso comercial.
- Daños a la estufa de vidrio provocados por el uso de limpiadores distintos de las cremas y paños recomendados.
- Daños a la estufa de vidrio provocados por derrames endurecidos de materiales azucarados o plástico derretido que no se limpiaron de acuerdo con las instrucciones del Manual del Propietario.
- Reemplazo de fusibles de la casa o reinicio de disyuntores.
- Daños ocasionados sobre el producto por accidente, incendio, inundaciones o catástrofes naturales.
- Daños sobre el acabado, tales como óxido sobre la superficie, deslustres o manchas pequeñas no informadas dentro de las 48 horas luego de la entrega.
- Daños incidentales o consecuentes causados por posibles defectos sobre este producto.
- Daño causado después de la entrega.
- Producto no accesible para brindar el servicio requerido.
- Solicite el servicio técnico para reparar o reemplazar las lámparas, excepto las lámparas LED.
- A partir de enero 1, 2022, daños estéticos sobre la placa de cocción de vidrio tales como, pero sin limitarse a, astillas, rayones, o residuos horneados que no se hayan reportado dentro de los 90 días desde el momento de la instalación.
- A partir de enero 1, 2022, daños sobre la placa de cocción de vidrio debido a impactos o uso inadecuado. Vea el ejemplo.



EXCLUSIÓN DE GARANTÍAS IMPLÍCITAS

Su única y exclusiva alternativa es la reparación del producto, como se indica en la Garantía Limitada. Las garantías implícitas, incluyendo garantías implícitas de comerciabilidad o conveniencia sobre un propósito particular, se limitan a un año o al período más corto permitido por la ley.

Esta garantía limitada se extiende al comprador original y a cualquier propietario posterior de los productos comprados para uso doméstico dentro de EE. UU. Si el producto está en un área donde no se encuentra disponible un Proveedor Autorizado del Servicio Técnico de GE Appliances, usted será responsable por el costo de un viaje o se podrá requerir que traiga el producto a una ubicación del Servicio Técnico de GE Appliances autorizado para recibir el servicio. En Alaska, la garantía limitada excluye el costo de envío o visitas de servicio a su domicilio. Algunos estados no permiten la exclusión o limitación de daños fortuitos o consecuentes. Esta garantía limitada le otorga derechos legales específicos, y usted también podría tener otros derechos que varían de estado a estado. Para conocer cuáles son sus derechos legales, consulte a la oficina de asuntos del consumidor local o estatal o al Fiscal de su estado.

Garante: GE Appliances, a Haier company

Louisville, KY 40225

Garantías Extendidas: Adquiera una garantía extendida de GE Appliances y conozca los descuentos especiales que están disponibles mientras su garantía aún está vigente. Puede acceder a la misma a través de Internet en cualquier momento en

GEAppliances.com/extended-warranty

o llamando al 800.626.2224 durante el horario comercial. Los Servicios para los GE Appliances aún estarán disponibles cuando su garantía caduque.

Abroche su recibo aquí. Para acceder al servicio técnico de acuerdo con la garantía deberá contar con la prueba de la fecha original de compra.

Accesorios

¿Busca Algo Más?

¡GE Appliances ofrece una variedad de accesorios para mejorar sus experiencias de cocción y mantenimiento!

Para acceder a números telefónicos e información de sitios Web, consulte la página de Soporte para el Consumidor.

Estos y otros productos están disponibles:

Accesorios

Kit del Orificio para Altitud Elevada con gas NG

Kit del Orificio para Altitud Elevada con gas LP

Orificio Frontal Izquierdo y Frontal Derecho con gas LP

Orificio Trasero Derecho con gas LP

Orificio Frontal Derecho con gas LP

Kit de Instalación Alternativa

Suministros de Limpieza

Limpiadores de Acero Inoxidable CitriShine™

Tela para Pulir Acero Inoxidable

Removedor de Grasa Quemada

Limpiador de Electrodomésticos de Acero Inoxidable

Almohadillas de Limpieza Antirayaduras para Superficies de Cocción de Cerámica

Limpiador para Superficies de Cocción de Vitrocerámico

Kit de Limpieza

Limpiador de Parrillas

Kit de Eliminación de Rayaduras sobre Acero Inoxidable

Soporte para el Consumidor

Sitio Web de GE Appliances

¿Desea realizar una consulta o necesita ayuda con su electrodoméstico? ¡Intente a través del Sitio Web de GE Appliances las 24 horas del día, cualquier día del año! Usted también puede comprar más electrodomésticos maravillosos de GE Appliances y aprovechar todos nuestros servicios de soporte a través de Internet, diseñados para su conveniencia.

En EE.UU.: GEAppliances.com

Registre su Electrodoméstico

¡Registre su electrodoméstico nuevo a través de Internet, según su conveniencia! Un registro puntual de su producto permitirá una mejor comunicación y un servicio más puntual de acuerdo con los términos de su garantía, en caso de surgir la necesidad. También puede enviar una carta en la tarjeta de inscripción preimpresa que se incluye con el material embalado.

En EE.UU.: GEAppliances.com/register

Servicio Programado

El servicio de reparación de expertos de GE Appliances está a sólo un paso de su puerta. Conéctese a través de Internet y programe su servicio a su conveniencia cualquier día del año. En EE.UU.: GEAppliances.com/service o comuníquese al 800.432.2737 durante el horario de atención comercial.

Garantías Extendidas

Adquiera una garantía extendida de GE Appliances y conozca los descuentos especiales que están disponibles mientras su garantía aún está vigente. La puede adquirir en cualquier momento a través de Internet. Los servicios de GE Appliances aún estarán allí cuando su garantía caduque.

En EE.UU.: GEAppliances.com/extended-warranty

o comuníquese al 800.626.2224 durante el horario de atención comercial.

Conectividad Remota

Para solicitar asistencia para la conectividad de red inalámbrica (para modelos con acceso remoto), visite nuestro sitio web en GEAppliances.com/connect o comuníquese al 800.220.6899 en EE.UU.

Piezas y Accesorios

Aquellos individuos calificados para realizar el servicio técnico de sus propios electrodomésticos podrán solicitar el envío de piezas o accesorios directamente a sus hogares (se aceptan las tarjetas VISA, MasterCard y Discover). Ordene hoy a través de Internet durante las 24 horas, todos los días. En EE.UU.: GEApplianceparts.com o de forma telefónica al 877.959.8688 durante el horario de atención comercial.

Las instrucciones que figuran en este manual cubren los procedimientos que serán realizados por cualquier usuario. Otros servicios técnicos generalmente deben ser derivados a personal calificado del servicio. Se deberá tener cuidado, ya que una reparación indebida podrá hacer que el funcionamiento no sea seguro.

Contáctenos

Si no se encuentra satisfecho con el servicio que recibió de GE Appliances, comuníquese con nosotros a través de nuestro sitio Web con todos los detalles, incluyendo su número telefónico, o escriba a:

En EE.UU.: General Manager, Customer Relations | GE Appliances, Appliance Park | Louisville, KY 40225

GEAppliances.com/contact

