

# Installation Instructions

For Outdoor Remote Blower Locations of 30" and 36" Downdraft Vents

## READ AND SAVE THESE INSTRUCTIONS

Before you begin— Read these instructions completely and carefully.

**IMPORTANT:** Save these instructions for local inspector's use.

**IMPORTANT:** OBSERVE ALL GOVERNING CODES AND ORDINANCES.

**NOTE TO INSTALLER:** Be sure to leave these instructions with the Consumer.

**NOTE TO CONSUMER:** Keep these instructions with your Use and Care Book for future reference.

### **WARNING – TO REDUCE THE RISK OF FIRE, ELECTRIC SHOCK OR INJURY TO PERSONS, OBSERVE THE FOLLOWING:**

- A. Use this unit only in the manner intended by the manufacturer, if you have questions, contact the manufacturer at the address or telephone number listed in the warranty.
- B. Before servicing or cleaning unit, switch power off at service panel and lock service disconnecting means to prevent power from being switched on accidentally. When the service disconnecting means cannot be locked, securely fasten a prominent warning device, such as a tag, to the service panel.
- C. Installation work and electrical wiring must be done by qualified person(s) in accordance with all applicable codes and standards, including fire rated construction.
- D. Sufficient air is needed for proper combustion and exhausting of gasses through the flue (chimney) of fuel burning equipment to prevent back drafting. Follow the heating equipment manufacturer's guideline and safety standards such as those

published by the National Fire Protection Association (NFPA), and the American Society for Heating, Refrigeration and Air Conditioning Engineers (ASHRAE), and the local code authorities.

E. When cutting or drilling into wall or ceiling, do not damage electrical wiring and other hidden utilities.

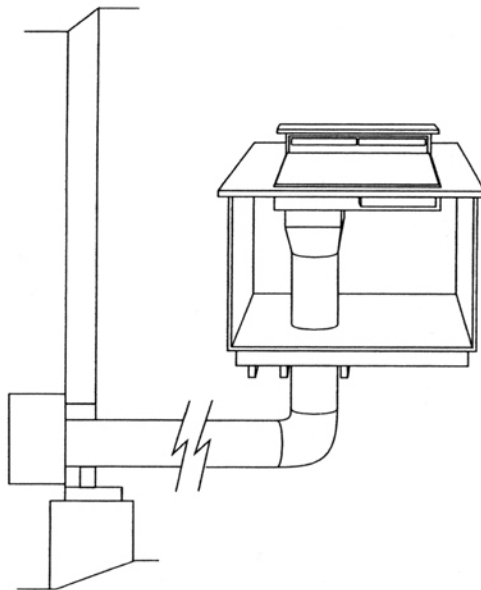
F. Ducted fans must always be vented to the outside.

• For General ventilating use only. Do not use to exhaust hazardous or explosive materials and vapors.

**CAUTION:** To reduce the risk of fire and to properly exhaust air, be sure to duct air outside – do not vent exhaust air into spaces within walls or ceilings or into attics, crawl spaces or garages.

**CAUTION:** Before beginning installation read the Installation Instructions provided with the Downdraft Vent. Insure that the duct run does not exceed maximum permissible length for the cooking product being installed.

*Check  
Parts  
Supplied*



The blower and motor assembly can be mounted on an outside wall. This kit provides a means to mount the blower outside with a protective cover.

### **Materials Required (not supplied)**

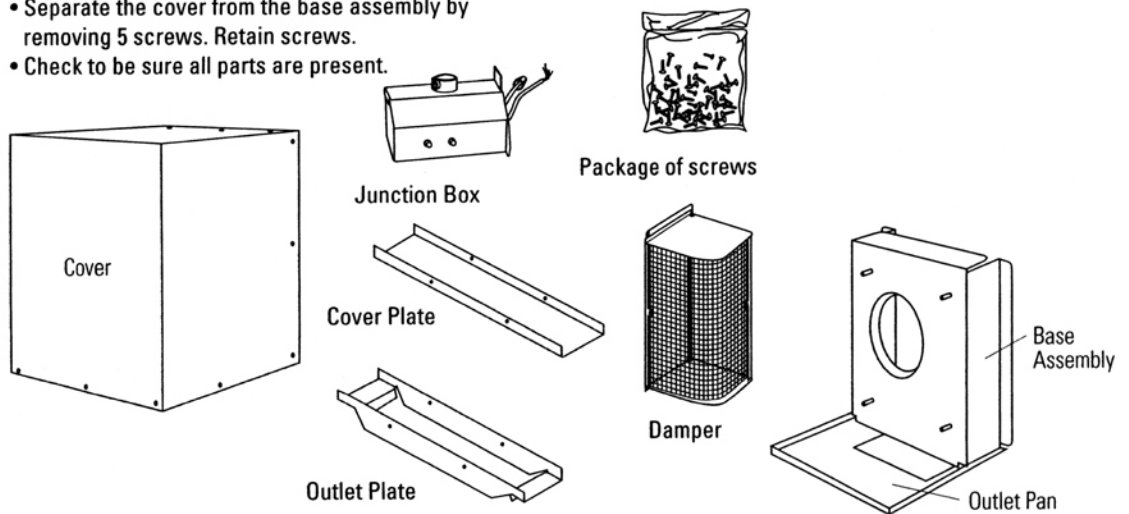
- Approved liquid tight service connections for use between the wire compartment on the base and inside the structure.
- 7 wire nuts or other approved connectors.
- Six 5/16" dia. fasteners compatible with the type of material the base is being fastened to.
- 3-1/4" x 10" to 6" round transition.
- 3-1/4 x 10" duct, (or 6" round) sufficient length to reach the outdoor installation location.
- Electrical cable and connectors, sufficient length to connect the downdraft vent to the remote blower location. 14-gauge min. is recommended, must conform to local codes.

### **Tools required:**

- Pencil or chalk
- Measuring tape
- Drill with appropriate bits
- Phillips head screwdriver
- 1/4" Nut driver
- Wire nuts
- Safely glasses

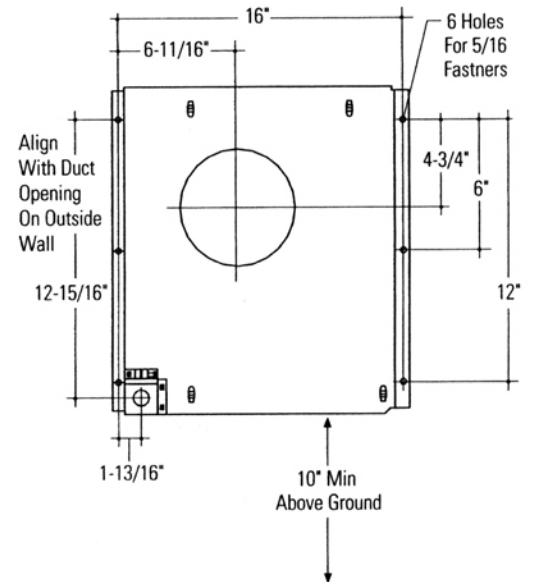
Step **1**  
Check  
Parts  
Supplied

- Separate the cover from the base assembly by removing 5 screws. Retain screws.
- Check to be sure all parts are present.



Step **2**  
Mark  
Mounting  
Location

- The base is designed to be mounted to studs on 16" centers. Use the dimensions shown to determine the location of the ducting and wiring through the wall.
- Or Place the base against the exterior wall and mark the 6 mounting locations, the 6" duct location and the hole for the wiring. Use pencil or chalk.
- The bottom of the base assembly must be 10" min. above the ground. There should be no obstructions to the discharge from the damper.
- Cut a 6-1/8" dia. hole in the vertical structure to accommodate a 6" round duct another hole for the wiring.
- Drill 6 pilot holes through the wall for the 6/16" fasteners.

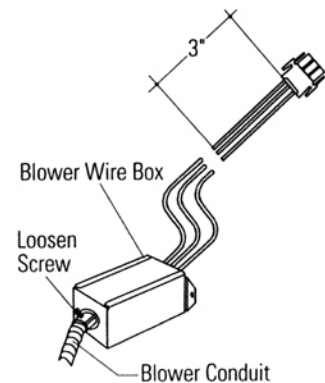


**CAUTION:** When cutting or drilling into a wall or ceiling, do not damage electrical wiring or hidden utilities. Check for interference with floor joists and stud walls. If necessary, locate the base to provide a secure installation.

- Place a 6" round duct through the hole extending approximately 3" from the wall to provide a proper seal with the blower. Secure the duct to the building structure to prevent it from being pushed back when the blower is installed.

Step **3**  
Prepare  
the Vent

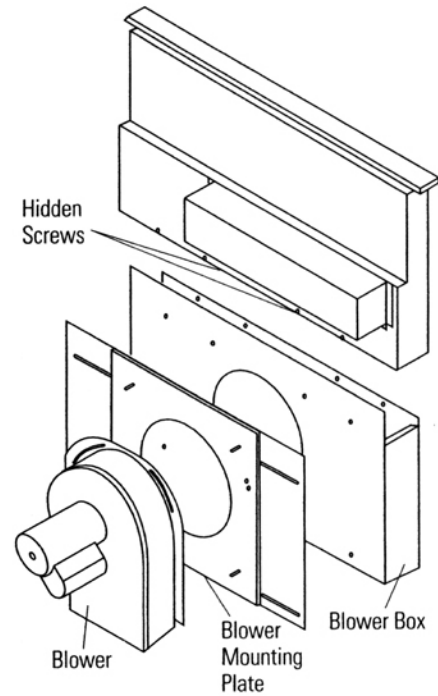
- Flatten the shipping box to use as a pad.
- Place the unit on its back onto the protective pad.
- Remove the wire box on the plenum.
- Cut the blower leads approximately 3" from the plug on the end of the vent.
- Remove the blower conduit by loosening the screw on the fitting.
- Set aside the 3" wire leads with plug, wire box and screws.



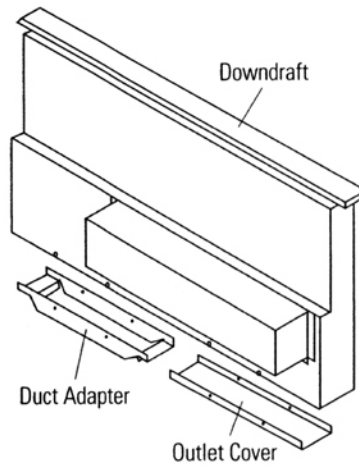
Step **3**  
(continued)

- Remove the 4 nuts holding the blower to the mounting plate. One nut is hidden inside the outlet. Remove blower.
- Remove the blower mounting plate.
- Remove 2 screws along the bottom of the blower box which are visible once blower plate is removed.
- Carefully, turn the unit over to access the back side.
- Remove 4 screws along the top of the blower box.
- Turn the unit over and remove the 4 screws along the top.
- Remove the blower box.
- Retain all screws.

**Important:** Save any unused parts. If the appliance is relocated at a later time, parts may be needed.

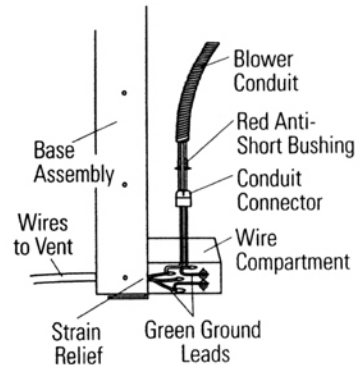


- The downdraft plenum can discharge from either the right or left side. Select the side that provides the best alignment to ductwork extending to the blower assembly.
  - For a left side discharge, install the outlet plate to the bottom of the plenum on the left side. Install the cover plate to the bottom of the right side. Reverse plates for a right side discharge.
- A transition is required to connect the 3-1/4" x 10" duct to the 6" round inlet on the blower.
- Tape to seal all joints.



Step **4**  
Connect  
Blower  
Wires

- Check that the red plastic anti-short bushing is secured in the end of the conduit. Install the blower conduit into the conduit connector on the junction box and tighten the screw.
- Install a liquid tight fitting in the hole of the wire compartment on the base, sized to fit wire being used.
- Run the electrical wiring from the downdraft vent to the wire compartment.
- Attach the green ground leads from the wire compartment, connecting one to the green ground lead on the blower and the other to the ground lead of the wiring from the downdraft vent.
- Connect the neutral (white) and power lead (black) from the blower to the leads from the downdraft vent.
- Use wire nuts to connect wires.

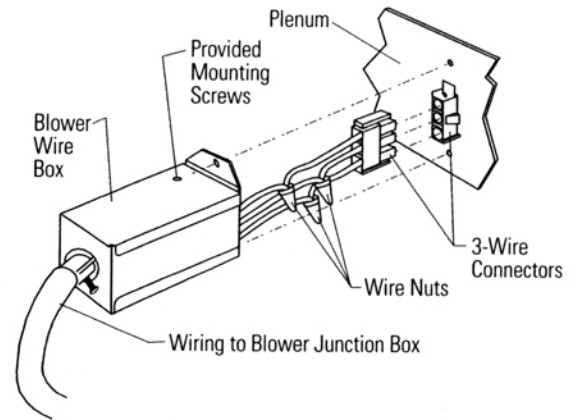


# 5

Step

## Connect Electrical

- Use electrical cable and connectors that conform to local codes (14 gauge min. is recommended). Use a length to reach between the vent and the blower/motor location.
- Attach the wire box removed from the blower conduit to the end of new wiring.
- Use wire nuts to secure the wire to the 3" remaining wires with plug.
- Insert the plug into the mating plug on the vent.
- Reinstall wire box with original screws.

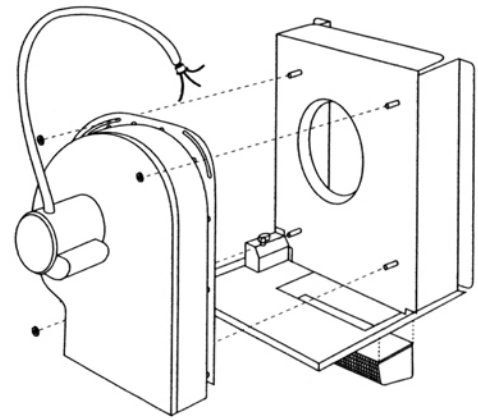


# 6

Step

## Mount Blower

- Mount the blower onto the mounting plate. Secure with original nuts.
- Install damper to bottom of outlet with 4 screws.



# 7

Step

## Finalize Installation

- Place the cover over the the assembled kit and secure with 16 screws.

