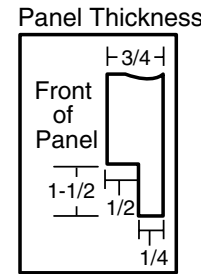
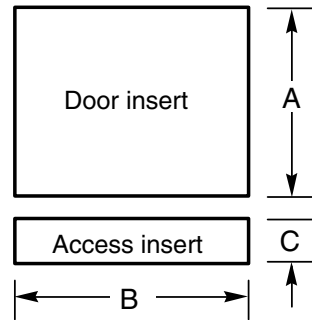
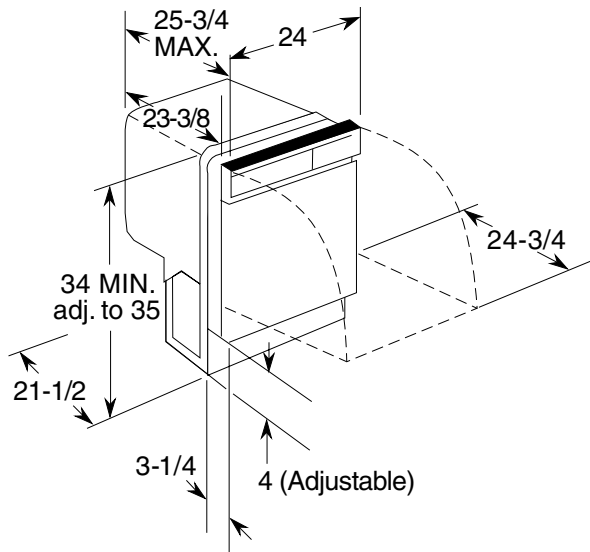


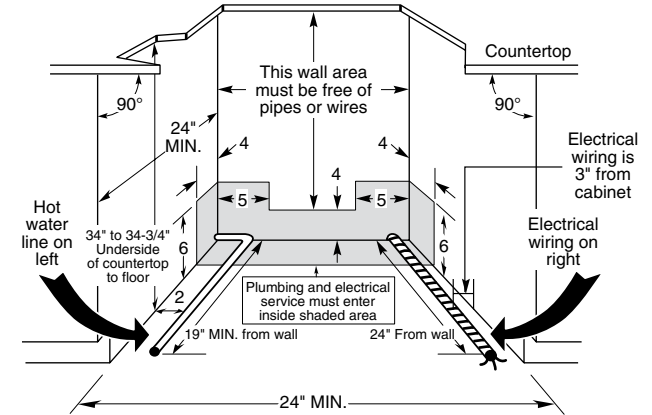
# HOTPOINT®

## HDA1100N – Hotpoint Built-In Dishwasher

### Dishwasher Dimensions (in inches)



When using GPF325  
1/4" custom dishwasher  
door and access panel kit.  
When using GPF375  
3/4" custom dishwasher  
door and access panel kit.



### Electrical Rating

Voltage AC.....	120
Hertz.....	60
Total connected load amperage.....	8.6
Calrod® heater watts max.....	500

For use on adequately wired 120-volt, 15-amp circuit having 2-wire service with a separate ground wire. This appliance must be grounded for safe operation.

Kit	A	B	C	Panel Thickness
GPF325	18-7/8"	23-9/16"	3-11/16"	1/4"
GPF375	18-15/16"	23-5/8"	4-1/4" to 3-3/4"	3/4"

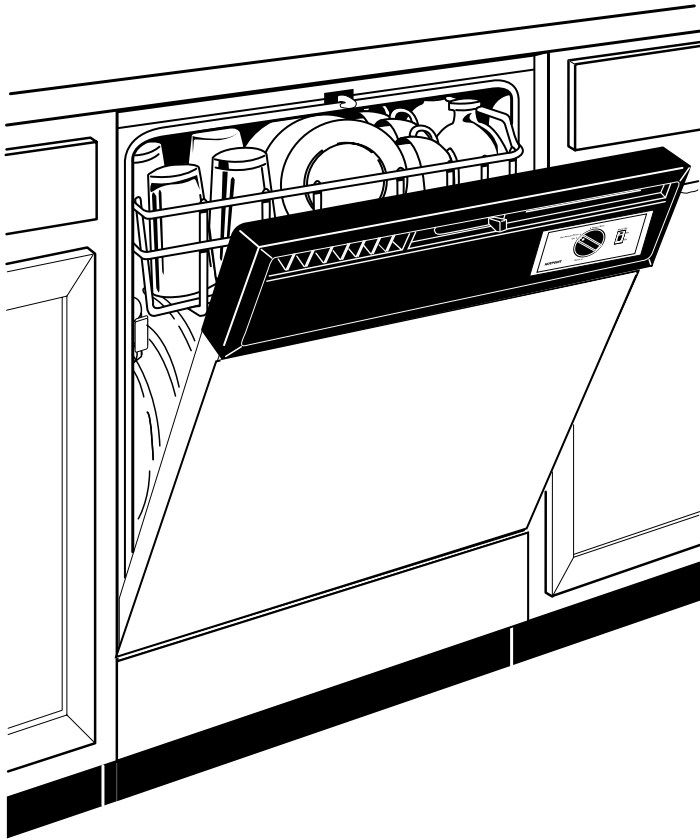
\* Bottom of panel must be notched 1-1/2" x 1/2" to clear across panel  
\*\* Adjustment required to match adjacent cabinet fronts due to leveling leg adjustment, 4" nominal

**Note:** Dishwasher must not be installed more than 10 feet from sink for proper drainage. All plumbing and electrical work must be in accordance with local codes. Dishwasher includes drain hose and leveling legs.

**Installation Information:** Before installing, consult installation instructions packed with product for current dimensional data.

# HOTPOINT®

## HDA1100N – Hotpoint Built-In Dishwasher



### Features and Benefits

- 4-level wash system - Four wash levels quietly and efficiently scrub dishes clean
- 100% water filtration with Extra Fine filter - Clean water helps deliver clean dishes.
- Piranha™ Hard Food Disposer - Grinds leftover food into small particles that are easily washed away
- Hot Start option - Provides optimal water temperature for dependable performance
- Durable tub and door liner - Resists chipping and staining, holding up to heavy use.
- Model HDA1100NWH – White, with black control panel