

# Installation Instructions

For Indoor Remote Blower Locations of 30" and 36" Downdraft Vents

**READ AND SAVE THESE INSTRUCTIONS**

Before you begin— Read these instructions completely and carefully.

**IMPORTANT:** Save these instructions for local inspector's use.

**IMPORTANT:** OBSERVE ALL GOVERNING CODES AND ORDINANCES.

**NOTE TO INSTALLER:** Be sure to leave these instructions with the Consumer.

**NOTE TO CONSUMER:** Keep these instructions with your Use and Care Book for future reference.

**WARNING – TO REDUCE THE RISK OF FIRE, ELECTRIC SHOCK OR INJURY TO PERSONS, OBSERVE THE FOLLOWING:**

- A. Use this unit only in the manner intended by the manufacturer, if you have questions, contact the manufacturer at the address or telephone number listed in the warranty.
- B. Before servicing or cleaning unit, switch power off at service panel and lock service disconnecting means to prevent power from being switched on accidentally. When the service disconnecting means cannot be locked, securely fasten a prominent warning device, such as a tag, to the service panel.
- C. Installation work and electrical wiring must be done by qualified person(s) in accordance with all applicable codes and standards, including fire rated construction.
- D. Sufficient air is needed for proper combustion and exhausting of gasses through the flue (chimney) of fuel burning equipment to prevent back drafting. Follow the heating equipment manufacturer's guideline and safety standards such as those

published by the National Fire Protection Association (NFPA), and the American Society for Heating, Refrigeration and Air Conditioning Engineers (ASHRAE), and the local code authorities.

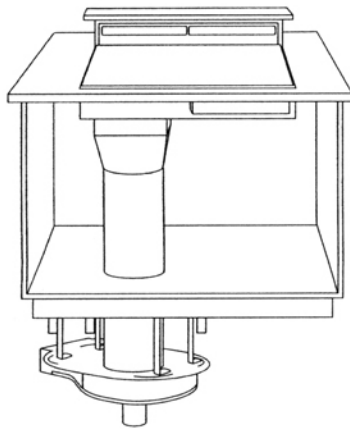
E. When cutting or drilling into wall or ceiling, do not damage electrical wiring and other hidden utilities.

F. Ducted fans must always be vented to the outside.

• For General ventilating use only. Do not use to exhaust hazardous or explosive materials and vapors.

**CAUTION:** To reduce the risk of fire and to properly exhaust air, be sure to duct air outside – do not vent exhaust air into spaces within walls or ceilings or into attics, crawl spaces or garages.

**CAUTION:** Before beginning installation read the Installation Instructions provided with the Downdraft Vent. Insure that the duct run does not exceed maximum permissible length for the cooking product being installed.



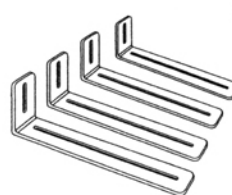
This kit provides for the installation of the blower and motor outside of the cabinet, such as below the floor. Use this kit for indoor remote installations only.

**Parts Supplied**

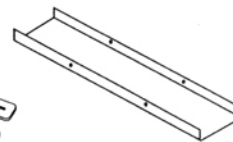
- Check to be sure all parts are present.



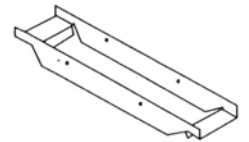
Package of screws



Hanger Brackets



Cover Plate



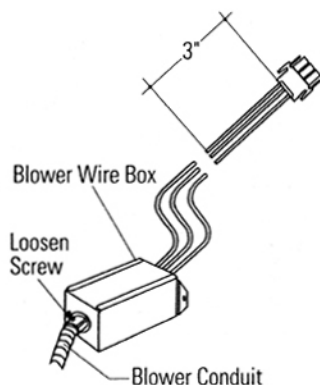
Outlet Plate

**Tools and Materials required:**

- Pencil
- Measuring tape
- Drill with appropriate bits
- Nut driver
- Junction box
- Wire nuts
- Safety glasses
- 3-1/4" x 10" to 6" round transition.
- 3-1/4 x 10" duct, (or 6" round) sufficient length to reach the outdoor wall cap or roof cap.
- Electrical cable and connectors, sufficient length to connect the downdraft vent to the remote blower location. 14-gauge min. is recommended, must conform to local codes.

**Note:** A 3-1/4" x 10 transition to 6" round is required.

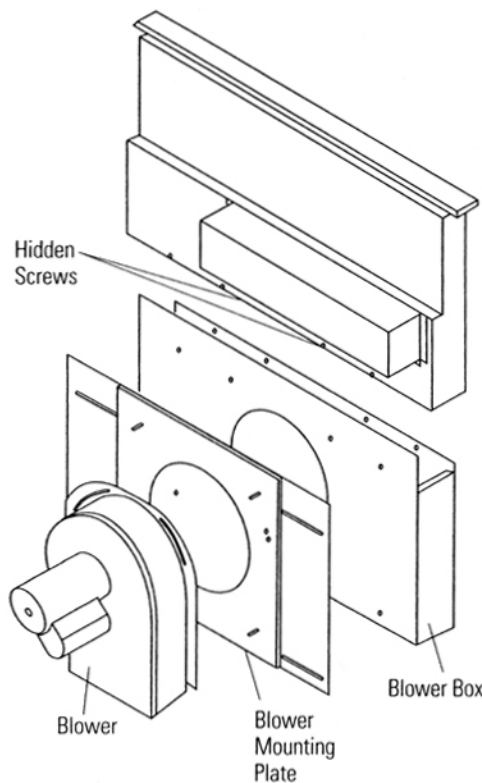
Step **1**  
Prepare  
the Vent



- Flatten the shipping box to use as a pad.
- Place the unit on its back onto the protective pad.
- Remove the wire box on the plenum.
- Cut the blower leads approximately 3" from the plug on the end of the vent.
- Remove the blower conduit by loosening the screw on the fitting.
- Set aside the 3" wire leads with plug, wire box and screws.

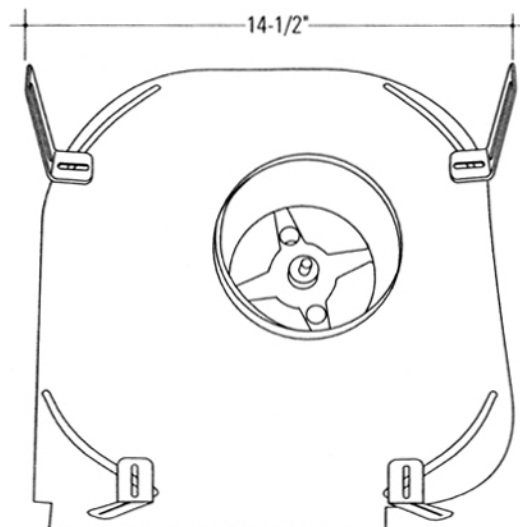
- Remove the 4 nuts holding the blower to the mounting plate. One nut is hidden inside the outlet. Remove blower.
- Remove the blower mounting plate.
- Remove 2 screws along the bottom of the blower box which are visible once blower plate is removed.
- Carefully, turn the unit over to access the back side.
- Remove 4 screws along the top of the blower box.
- Turn unit over and remove the 4 screws along the top.
- Remove the blower box.
- Retain all screws.

**Important:** Save any unused parts. If the appliance is relocated at a later time, parts may be needed.

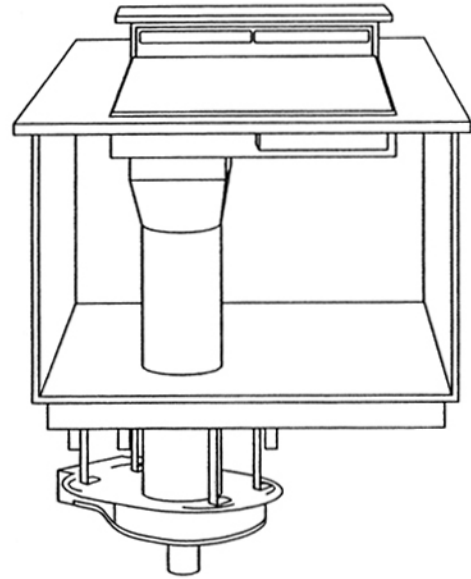
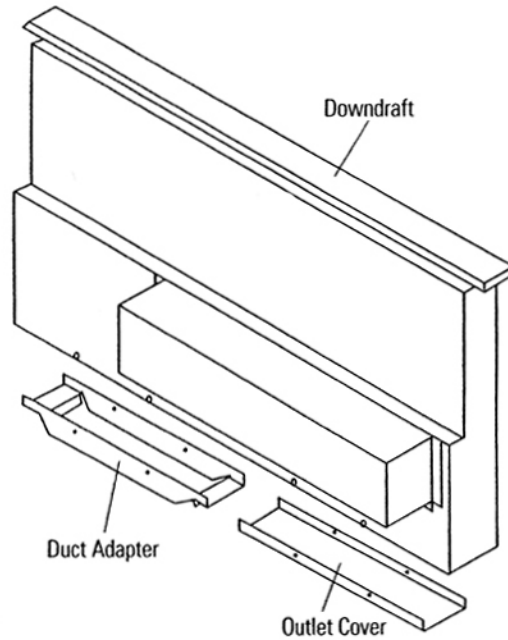


Step **2**  
Determine  
Blower  
Location

- Determine location of the blower and motor.
  - The blower will fit between floor joists, 16" on center. Or, provide a surface to attach the entire assembly to the underside of the floor.
- Secure mounting brackets to the top of the blower with screws and nuts. One bracket in each corner, as illustrated.
  - Set the bracket at the ends of the curved slots to reach a 14-1/2" span between floor joists, or adjust for your installation situation.
- Mark the installation location and cut hole for 6" round duct.
- Secure the blower to the joists.



Step  
**3**  
Connect  
Ductwork



- The downdraft plenum can discharge from either the right or left side. Select the side that provides the best alignment to ductwork extending to the blower assembly below.
  - For a left side discharge, install the outlet plate to the bottom of the plenum on the left side. Install the cover plate to the bottom of the right side. Reverse plates for a right side discharge.
- Connect the plenum to the ductwork. A transition is required to connect the 3-1/4" x 10" duct to the 6" round inlet on the blower.
- Tape to seal all joints.

Step  
**4**  
Connect  
Electrical

- Use electrical cable and connectors that conform to local codes (14 gauge min. is recommended). Use a length to reach between the vent and the blower/motor location.
- Attach the wire box removed from the blower conduit to the end of new wiring.
- Use wire nuts to secure the wire to the 3" remaining wires with plug.
- Insert the plug into the mating plug on the vent.
- Reinstall wire box with original screws.
- Install a junction box withing reach of the blower conduit.
- Use a conduit fitting to secure conduit to junction box. The red plastic anti-short bushing should be secured to the end of the conduit.
- Use wire nuts to connect wires.

