

# RA824DD

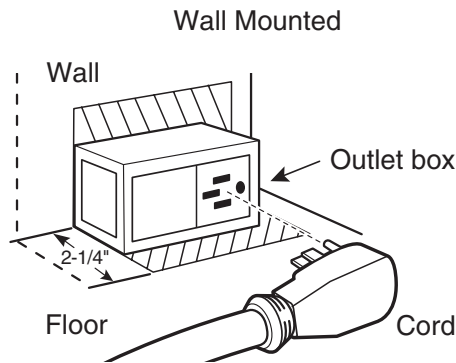
## Hotpoint 24" Free-Standing Electric Range

### DIMENSIONS AND INSTALLATION INFORMATION (IN INCHES)

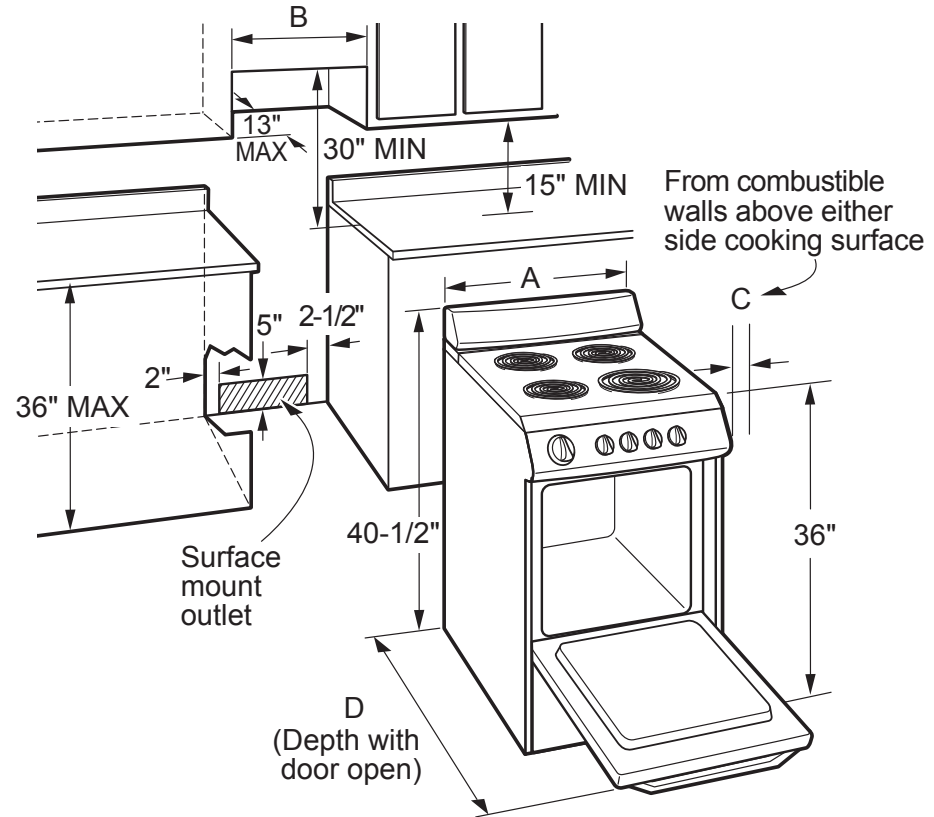
#### RECEPTACLE LOCATIONS

Locally approved flexible service cord or conduit must be used because terminals are not accessible after range installation. See shaded area in drawings for location of electrical outlet box. Recommended outlet locations allow range to be installed directly against rear wall.

KW RATING	
240V	9.2
208V	6.9



Recommended acceptable electrical outlet area. Orient the electrical receptacle so the length is parallel to the floor.



Models	A	B	C	D
20" wide	20-3/8"	20-3/8"	2"	41"
24" wide	24-3/8"	24-3/8"	2"	41"

# Hotpoint®

For answers to your Monogram, GE Café™ Series, GE Profile™ Series or GE Appliances product questions, visit our website at [geappliances.com](http://geappliances.com) or call GE Answer Center® Service, 800.626.2000.



Listed by Underwriters Laboratories



All GE ranges are equipped with an Anti-Tip device. The installation of this device is an important, required step in the installation of the range.

Specification Revised 12/15

# RA824DD

## *Hotpoint 24" Free-Standing Electric Range*

### **FEATURES AND BENEFITS**

Standard clean oven – Smooth surface makes cleaning by hand easier

One 8" and three 6" plug-in heating elements with chrome drip bowls

Interior oven light – Illuminates the oven interior

Lift-up cooktop with porcelain-enameled subtop

Standard window – Provides a convenient viewing area to check the progress of food

Model RA824DDWW – White

