



ENGLISH

Dishwasher Owner's Manual

IMPORTANT!
To get the best performance
from your appliance, read all
operating instructions before
using it for the first time.

FRANÇAIS

SAVE THESE INSTRUCTIONS FOR FUTURE REFERENCE

ESPAÑOL

Version 4

CONTENTS

Important Safety Instructions	3
Child Safety Tips	3
Dishwasher Features	4
Dishwasher Dimensions	4
Installation Instructions	5
Loading the Dishwasher	16
Detergent Dispenser	18
Rinse Aid Dispenser	20
Model EDW242C Operating Instructions	21
Model EDW254E Operating Instructions	22
Model EDW274E Operating Instructions	23
Model EDW294E Operating Instructions	25
Care and Maintenance	27
Overfill Protection	28
Solutions to Common Dishwashing Problems	29
Troubleshooting	30
Washing Special Items	32
Product Warranty	33
Index	34

IMPORTANT SAFETY INSTRUCTIONS

This manual does not cover all possible conditions and situations that may occur. Some situations may arise where use of common sense and caution should always be used when installing, operating, and maintaining any appliance.

WARNING! Before using your dishwasher, follow basic precautions, including the following:

- ← Read all instructions before using the dishwasher.
- ← Dishwashers must be electrically grounded. Read the *Installation Instructions* for details.
- ← Use the dishwasher only for its intended purpose.
- ← Do not run the dishwasher while you are out of the home.
- ← Use only automatic dishwasher detergents and rinse agents.
- ← To reduce the risk of injury, keep detergents and rinse aids out of the reach of children.
- ← Do not load sharp items near the door; you could damage the door seal.
- ← Place sharp knives in the silverware basket with the sharp ends down to avoid the risk of cut-type injuries.
- ← Do not wash plastic items unless they are marked "dishwasher safe" or the equivalent. For items not marked, check the manufacturer's recommendations. Items not dishwasher safe could become deformed or melt and create a potential fire hazard.
- ← Do not touch the heating element during or immediately after use.
- ← Do not operate the dishwasher unless all enclosure panels are properly in place (i.e., guard plate, access panel, toe kick, etc.)
- ← Do not tamper with controls by removing or changing.
- ← Do not abuse, sit on, or stand on the dishwasher door or baskets .
- ← To reduce the risk of injury, do not allow children to play in or on a dishwasher.
- ← Under certain conditions, hydrogen gas may be produced in a hot water system that has not been used for two weeks or more. HYDROGEN GAS IS EXPLOSIVE. If the hot water system has not been used for two weeks, before using the dishwasher turn on all hot water faucets and let the water flow from each for several minutes. This will release any accumulated hydrogen gas. As the gas is flammable, do not smoke or use an open flame during this time.
- ← When removing an old dishwasher from service or discarding it, remove the door to the washing compartment.
- ← Do not store or use combustible materials, gasoline, or other flammable vapors and liquids in the vicinity of this or any other appliance.
- ← Disconnect electrical power to dishwasher before servicing.
- ← Repairs should be done by a qualified technician.

CHILD SAFETY TIPS

- ← Dishwasher detergents and rinse aids are corrosive, so always keep them out of reach of children.
- ← Should a child swallow dishwasher detergent or rinse aid, give plenty to drink immediately, i.e., one or two glasses of milk or water. Do not try to induce vomiting. Seek medical advice immediately: **1-800-POISON1**
- ← Always close the door and start the dishwasher as soon as you put in the detergent.
- ← Always keep small children away from the machine when it is open. There may be some detergent residue left inside the machine.
- ← If dishwasher detergent gets in someone's eyes, rinse them with plenty of water for at least 15 minutes.
- ← Do not allow children to use or play in or on the dishwasher.
- ← Load all long and sharp items in the knife/utensil basket. If this is not possible, load sharp objects with the pointed end facing the back of the dishwasher. Sharp items loaded in the silverware basket should be loaded with pointed ends down.

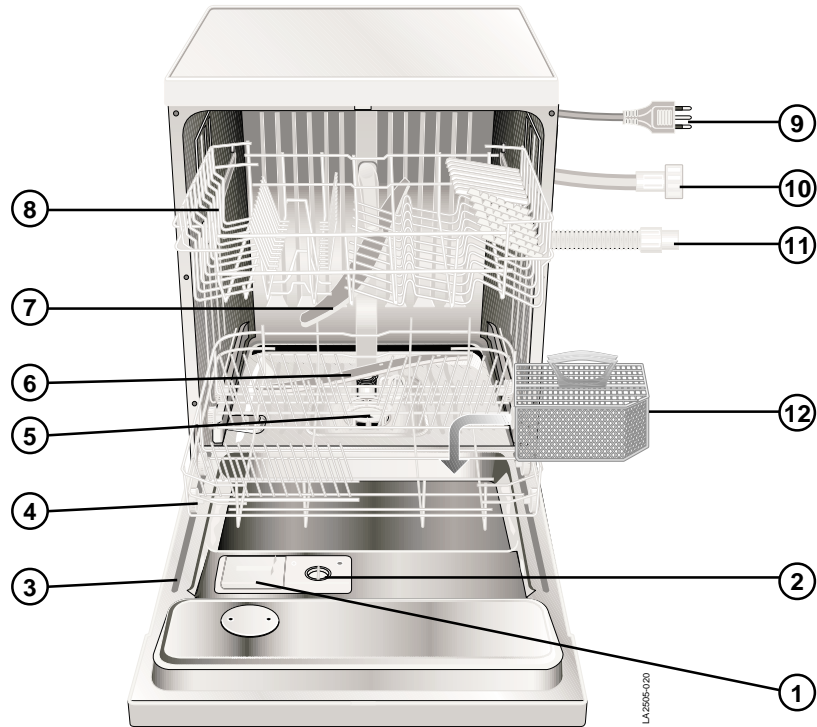
SAVE THESE INSTRUCTIONS FOR FUTURE REFERENCE

DISHWASHER FEATURES

Your new dishwasher features our EuroStyle™ wash system. This means that after the prewash, the water is drained out and the main wash starts with clean water. **If you plan to start your dishwasher right away, it's not necessary to rinse the dishes. You do, however, need to scrape off the large particles of food before loading.**

NOTE: Deviations in features may occur, depending on the model.

- 1) Detergent dispenser
- 2) Rinse aid dispenser
- 3) Data tag
- 4) Lower basket
- 5) Filters
- 6) Lower spray arm
- 7) Upper spray arm
- 8) Upper basket
- 9) Power cord
- 10) Water supply hose
- 11) Drain hose
- 12) Cutlery basket



DISHWASHER DIMENSIONS

Models EDW242C, EDW254E, EDW274E

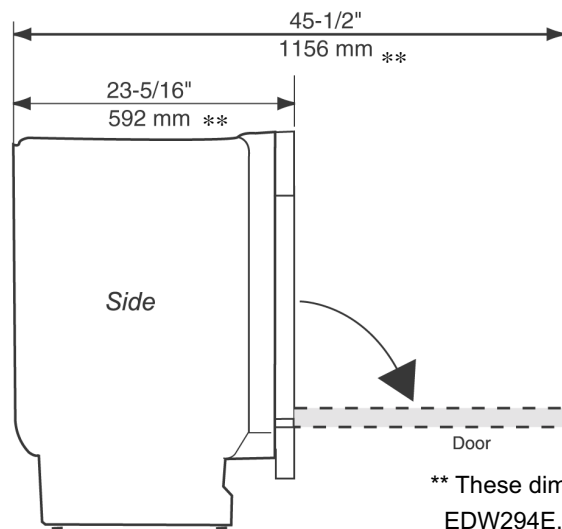
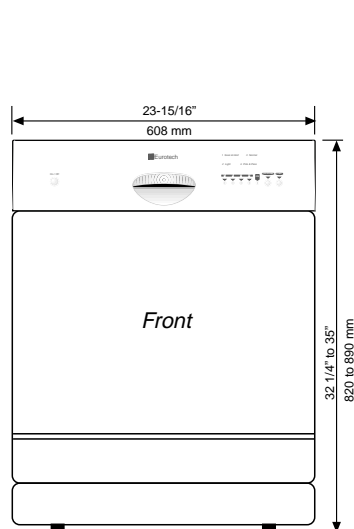
	US	Metric
Height	32 1/4"–35"	820–890 mm
Width	23-15/16"	608 mm
Depth	*23-5/16"	592 mm
Depth w/door open	*45-1/2"	1156 mm
Weight	106 lb	48 kg

* Includes 1" for high loop.

Model EDW294E

	US	Metric
Height	32 1/4"–35"	820–890 mm
Width	23-15/16"	608 mm
Depth	*21-7/8"	556 mm
Depth w/door open	*45-3/8"	1153 mm
Weight	95 lb	43 kg

* Includes 1" for high loop. This depth measurement is without the door panel.



** These dimensions are different for EDW294E. See dimensions above.

INSTALLATION INSTRUCTIONS

Read these instructions carefully and completely before you install the machine. The installation should be carried out by a qualified person who is familiar with all local codes and ordinances for electrical and plumbing connections.

If a dishwasher is being installed in this area for the first time, most of the cabinet work, plumbing, and electrical has to be done before you move the machine into place.

If you are replacing an old dishwasher, you must check the plumbing connection and wiring before you move the new dishwasher into place.

A built-in dishwasher must be enclosed on the top, both sides and the back. The best place for your dishwasher is in the kitchen near the sink. This makes it easier to connect the water and drain supply lines.

After you have placed the dishwasher near the installation location, remove the wrappings from the dishwasher. Be sure to remove any items packaged inside the dishwasher.

NOTE: It is a good idea to inspect for any shipping damage before you proceed with the installation. Should you find any damage, you should report it to your dealer or builder *immediately*.

WHAT YOU NEED

TOOLS

- 1) Phillips No. 2 screwdriver or power screwdriver (preferably with magnetic screw bits)
- 2) Adjustable 10" crescent wrench
- 3) Open-ended wrench (1/2", 3/8" and 5/8")
- 4) Tape measure
- 5) Spirit level
- 6) Electric drill with 1-1/2" drill bit or hole saw (for new installations)
- 7) Keyhole saw
- 8) 2-1/2" Squeeze Clamps (for EDW294E door panel installation only)

MATERIALS NEEDED

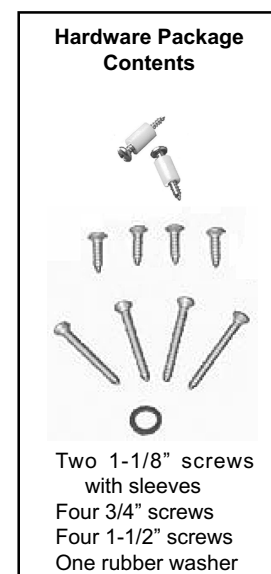
← Shut-off valve and fittings for water supply line

MATERIALS SUPPLIED WITH UNIT

The items illustrated below are packaged inside each unit for your convenience.



- 1) Warranty card
- 2) Data plate/serial card
- 3) Cutlery caddy cover *
- 4) Moisture barriers (2)
- 5) Drain hose high loop support
- 6) Hardware package
- 7) Owner's Manual
- 8) Top fill strip for EDW294E

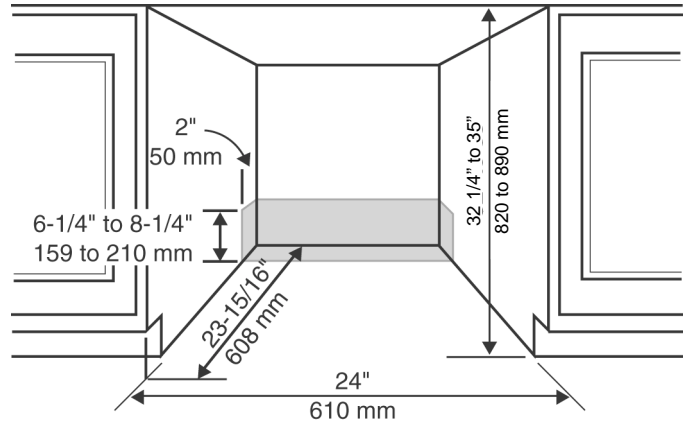


CABINET OPENING DIMENSIONS

	Measurements	
	US	Metric
Height	32 1/4"–35"	820–890 mm
Width	24"	610 mm
Depth	23-15/16"	608 mm

The electrical and water supplies should enter through the area indicated by the shading on the illustration at right. They should come through the right side of the machine, a maximum of 2" (50 mm) from the back wall and 6-1/4" to 8-1/4" (159–210 mm) from the floor, depending on the underneath cabinet height.

After determining where the water supply line will enter under the sink, drill a 1-1/2" (38 mm) access hole. The water line inlet valve is on the right rear of the machine.



MOISTURE BARRIER

Among the materials supplied with your unit are two strips of moisture resistant material (moisture barriers). One of these is intended to be affixed underneath the front edge of the countertop to prevent possible moisture damage. The other is for a custom wood panel (EDW294E only).

If you intend to use a moisture barrier on the cabinet, you should affix it to the cabinet before you install the dishwasher.

INSTALLING THE TOP FILL STRIP ON MODEL EDW294E

If you have Model EDW294E, you will need to install the fill strip before you place the dishwasher inside the cabinet. To do this, follow the instructions below:

1. Center the fill strip on top of the installation lip on the front edge of the unit.
2. If the fill strip is wider than the cabinet opening, use a coarse sandpaper or straight edge hack saw to trim one end.
3. Using 2-1/2" squeeze clamps, secure the fill strip to the installation lip, as illustrated below.
4. Fasten the fill strip to the dishwasher using the four 3/4" screws supplied with the unit in the holes on the installation lip.
5. Remove the clamps.



ADJUSTING THE LEVELING LEGS

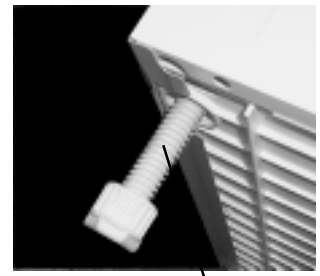
You should adjust the levelling legs to within 1/8" of the opening height. The four leveling legs should be adjusted by unscrewing the leg out to the length required. **When the feet are properly adjusted, tighten the locking nuts to the base pan.**

(The machine may have an inclination of 2° maximum without affecting its performance.)

WARNING! Never lay the dishwasher on its front or side. When necessary, lay the unit on its back.

It is advisable to lay the unit on a tarp or blanket so as not to scratch or damage the floor or the dishwasher.

* Use caution when standing the dishwasher up so you do not break the legs.



Levelling leg

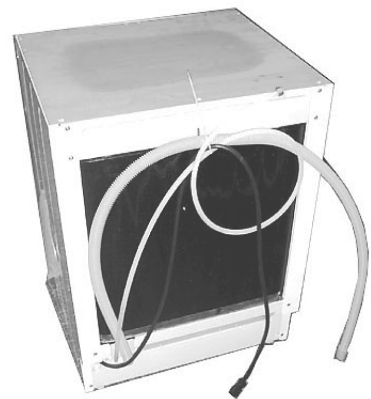


Locking nut

MOVING THE MACHINE INTO PLACE

WARNING! Make sure you put the slides cups under the legs to prevent damaging the floor or unit when you slide it into place (see page 5).

1. Remove the toe kick from the top of the unit and set it aside.
2. Remove the zip tie holding the hoses and power supply cord in place on the back of the unit as illustrated at right.
3. Position the unit in front of the cabinet opening.
4. Weave the drain line through the U shaped High Loop bracket and attach that bracket to the back of the unit or the surrounding cabinets as illustrated on page 10 of this manual.
5. Start to feed the water and drain lines, as well as the power cord (if necessary) into the access hole in the cabinet.
6. Grip the unit at the top or side edges and gently slide the unit into the dishwasher opening using the slide cups provided with the unit under the rear legs.



WARNING! Never use your knee or shoulder to push the unit in place. You could damage the dishwasher.

7. Check the level and make adjustments if necessary. (See above.)

WARNING! Be careful of sharp edges.

OPENING THE EDW294E CUSTOM DOOR

To open the door panel on the EDW294E, insert your fingers into the rectangular slots on each side of the door and pull.



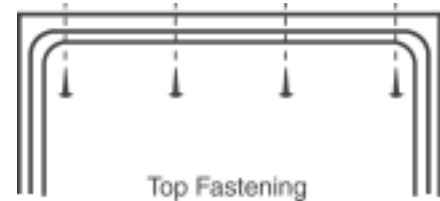
FASTENING THE DISHWASHER TO THE CABINET

It's necessary to fasten the dishwasher to the cabinet so it won't tilt when the door is opened or if something heavy is placed on the door. Use only the screws provided with the machine. The dishwasher can be fastened to the cabinet on the top, at the sides, or both, depending on the type of installation.

STANDARD CABINET INSTALLATIONS

For a standard cabinet and ADA installations, you should mount the dishwasher at the top. To do this, follow the instructions below:

1. Use the four 3/4" screws provided with the unit to mount the dishwasher to underneath the cabinet top.
2. Insert the screws through the four holes on the top installation lip and tighten securely.
3. When the machine is properly attached, check that the feet are tight against the floor and the machine is level.



This method is for standard installations only.

SOLID SURFACE COUNTER TOP INSTALLATIONS

If you have a solid surface countertop that will not accommodate screws, mount the dishwasher to the cabinet using the side mount holes. To do this, follow the instructions below:

1. Remove the white plugs from the side holes and use a "center punch" to assist in starting the screws.
2. Insert the two mounting screws with sleeves provided with the unit into the side holes and tighten the screw securely.
3. Cover the screw heads with the plastic plugs provided with the machine.
4. When the machine is properly attached, check that the feet are tight against the floor and that the machine is level.



Use this method only for solid surface counter tops, such as marble.

EDW294E WITH A TOP FILL STRIP INSTALLATIONS

Model EDW294E installations with a top fill strip should be mounted to the cabinet on the sides for all installations, except ADA height installations, which should be mounted at the top.

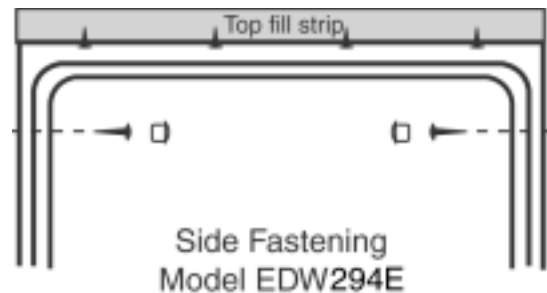
NOTE: Do not fasten the dishwasher to the cabinet until after you have installed the custom door panel.

To do this installation, follow the steps below:

1. Install the fill strip as explained on page 6.
2. Remove the white plugs from the side holes and use a "center punch" to assist in starting the screws.
3. Insert the two mounting screws with sleeves provided with the unit into the side holes and tighten securely.

NOTE: Failure to use the sleeves could cause the unit to warp, which could cause it to leak.

4. Cover the screw heads with the plastic plugs provided with the machine.
5. When the machine is properly attached, check that the feet are tight against the floor and that the machine is level.



This method is for EDW294E installations with a top fill strip.

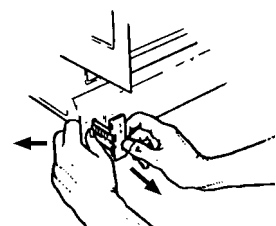
INSTALLING THE TOE KICK

You must attach the toe kick brackets to the desired depth. Push the spring tab on the sides of the base pan towards the outside of the machine and carefully pull or push the T shaped toe kick bracket to the desired depth.

Make sure the toe kick bracket is securely inside the guides on the base pan.

Once you have adjusted the toe kick bracket to the desired depth, you can install the toe kick, as follows:

1. Position the toe kick at the edge of the access panel, slide the toe kick up behind the access panel then let it slide to the floor.
2. Screw the toe kick to the toe kick brackets.



TECHNICAL DATA

Water pressure	18-176 psi
Power	110–120 v, 60 Hz
Heating element	1200 w
Max loading	1450 w

EASY CONNECTION

Your Eurotech comes with everything you need for an easy, problem-free installation:

- **PEX tubing with 3/8" compression fitting**—This tubing has a 50-year spec life. It fits American dishwasher water supply valves.
- **Drain hose**—Corrugated drain hose and holder to form a high loop.
- **Electrical cord and plug**—110-120 volts, 15 amp cord supplied with unit.

WARNING! Do not use an extension cord for this appliance.

WATER SUPPLY

WARNING! Plumbing connections must comply with applicable sanitary, safety and plumbing codes in your area.

The dishwasher comes with a 5-foot PEX water supply line that has a 3/8" NPT female connection. **Be sure to insert the black rubber washer (enclosed in the hardware package) into the PEX hose connection before you attach it to the water supply. Do not over tighten. Damage to the hose could occur.**

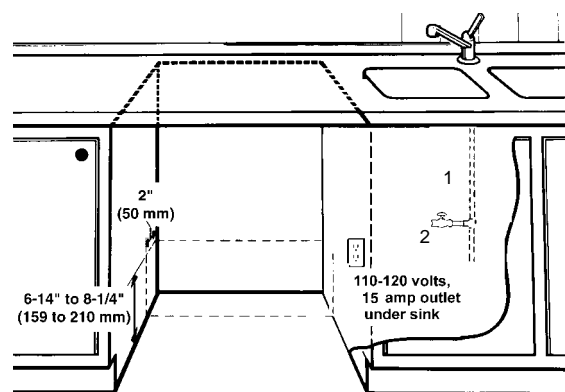
The electrical and water supplies should come through the right side of the machine, a maximum of 2" (50 mm) from the back wall and 6-1/4" to 8-1/4" (159–210 mm) from the floor, depending on the underneath cabinet height.

For service convenience, a shut-off valve (not supplied) should be installed in the water supply line in an easily accessible location, such as, beneath the sink.

It is important that the water supply line and the shut-off valve have a sufficient flow volume. At least 3 gallons (12 liters) per minute must be able to pass through the line. The water pressure should be 18-176 psi.

WARNING! In order to prevent heat damage to the inlet valve, all solder connections must be made before the water line is connected to the dishwasher.

NOTE: Be sure to run the PEX water supply line, drain line, and power supply cord through the hole to sink compartment before moving the dishwasher into position.



- (1) Water supply
- (2) Water supply valve (not supplied)

DRAIN CONNECTIONS

Eurotech provides a 3/4" (19 mm) ID corrugated drain hose with a drain line holder to form a high loop.

NOTE: Do not use any fittings anywhere in the drain line that are less than 3/4" (19 mm) OD. Stock.

The access hole for the drain line should be 1-1/2" (38 mm).

The high loop is necessary for proper draining and should be

located as close to the dishwasher as possible.

There are three ways to connect the drain supply line, as shown in the illustrations at right:

A) Typical connection to sink plumbing before trap (high loop drain)

B) Connection to air gap then to the trap.

C) Connection to waste disposer with air gap

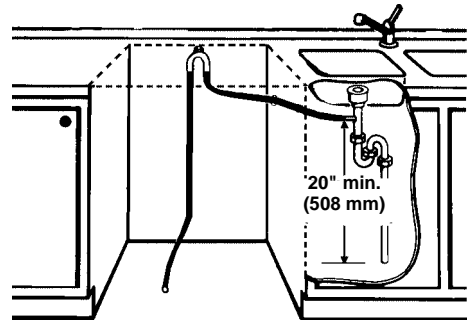
NOTE: Don't forget to remove the knockout or plug from the disposer fitting.

IMPORTANT THINGS TO KNOW ABOUT DRAIN CONNECTIONS:

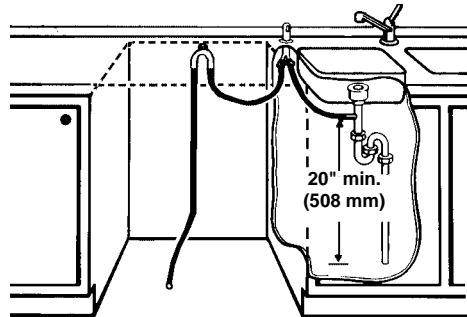
- ← Failure to provide the proper drain connection height (minimum of 20" (508 mm) above the bottom of the dishwasher base) or a 20" (508 mm) high loop will result in improper drainage, which will damage the machine.
- ← No part of the drain hose should be higher than 35" (889 mm) from the bottom of the dishwasher.
- ← The hose must not be drawn straight to a floor well or its equivalent because it might function as a siphon and empty the machine.
- ← The drain hose can be extended to a maximum length of 10 feet (3048 mm). Joints and jointed tubes, if any, must have a minimum 3/4" (19 mm) OD. Stock.
- ← If the drain line is going to be connected to a waste disposer, be sure to remove the knockout or plug from the fitting on the disposer before connecting the drain line.

When the installation is ready, open the supply valve and let the pressure act for a while. Then check that all connections are tight and there are no leaks.

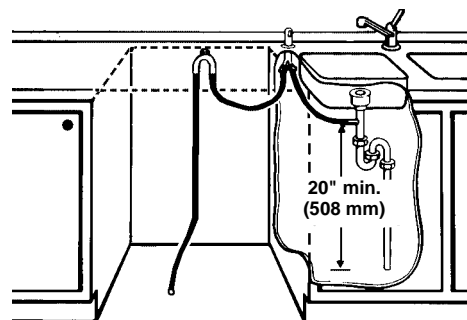
A) Typical connection to sink plumbing before trap (high loop drain)



B) Connection to air gap then to the trap.



C) Connection to waste disposer with air gap.



ELECTRICAL CONNECTIONS

The dishwasher comes with an electrical cord for 110–120 volts, 15 amp supplied. This cord should be plugged into the 110-120 volt outlet under the sink. If the cord is not long enough, or if a hard-wire installation is needed, see “Connecting An Electrical Cable” below.

WARNING! Do not use an extension cord for this appliance.

The power-supply receptacle for the appliance should be installed in a cabinet or on a wall adjacent to the undercounter space in which the appliance is to be installed.

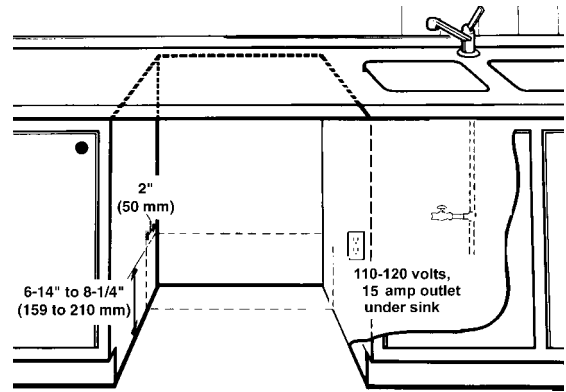
There should be an opening through the partition between the opening for the dishwasher and the area under the sink that is large enough for the power cord to pass through. This opening should not be more than 1-1/2” (38 mm) in diameter and the edges should be smooth and rounded. If the partition is metal it should be covered with an edge protector provided for this purpose by the manufacturer.

When moving the appliance into or out of the cabinet, be careful not to damage the power-supply cord.

WARNING! Before working on wiring for any electrical appliance, be sure the electrical power has been turned off at the breaker/fuse box.

WARNING! Disconnect electrical power supply and place a tag at the disconnect switch indicating that you are working on the circuit.

WARNING! Electrical and grounding connections must comply with the applicable portions of the national electrical code and/or other local electrical codes.



GROUNDING INSTRUCTIONS

WARNING! This appliance must be properly grounded.

A) Grounding instructions for a grounded, cord-connected appliance

In the event of malfunction or breakdown, grounding will reduce the risk of electric shock by providing a path of least resistance for electric current. This appliance is equipped with a cord having an equipment-grounding conductor and a grounding plug. The plug must be plugged into an appropriate outlet that is properly installed and grounded in accordance with all local codes and ordinances.

WARNING! Improper connection of the equipment-grounding conductor can result in a risk of electric shock. Check with a qualified electrician or service representative or personnel if you are in doubt as to whether the appliance is properly grounded. Do not modify the plug provided with the appliance. If it will not fit the outlet, have a proper outlet installed by a qualified electrician.

B) Grounding instructions for a permanently connected appliance:

This unit must be grounded to operate properly. It must be connected to a grounded metal, permanent wiring system or an equipment-grounding conductor must be run with the circuit conductors and connected to the equipment-grounding terminal or lead of the appliance.

CONNECTING AN ELECTRIC CABLE

If the cord is not long enough, or if a hard-wire installation is needed, follow the steps below to complete the electrical connection.

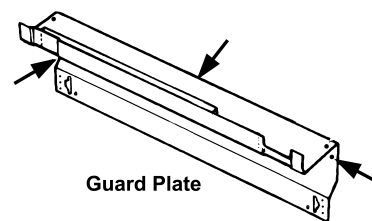
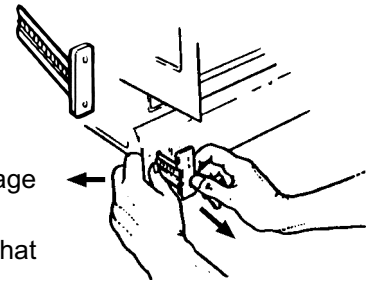
WARNING! Before working on wiring for any electrical appliance, be sure the electrical power has been turned off at the breaker/fuse box.

1. Remove the access panel by first removing the two Phillips screws that secure the panel to the unit. Opening the dishwasher door may make it easier to get access to these screws.
2. Remove the toe kick brackets by holding the small metal spring tab on the outer edge of the base pan toward the outside of the machine. Continue holding the tab as you pull straight out on the bracket. (*Note:* It may be stubborn because it's in guide slots on the base pan.) See page 10 for instructions on how to adjust the toe kick brackets.
3. Remove the guard plate by removing the three phillips-head screws that hold the guard plate in place, one in the middle top, and one each in the lower left and right side.

After the screws are removed, grip the bottom of the guard plate and pull it toward you to remove it. You can now access the inlet valve and terminal block.

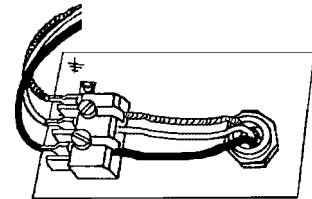
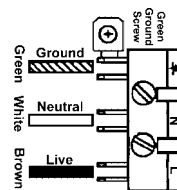
4. Remove the supplied power cord.
5. Connect supply cable with a UL-listed strain relief bushing (if nonmetallic cable is to be used).
6. Connect branch circuit white lead to white lead on main terminal block, as illustrated at right.
7. Connect branch circuit black lead to brown lead on main terminal block, as illustrated.
8. Connect ground wire to ground on terminal block, as illustrated.
9. Replace the guard plate.
10. Replace the toe kick brackets and toe kick (see page 9).

Toe kick bracket



Guard Plate

Making the Connection



TESTING FOR LEAKS

1. Turn on the water supply and check for leaks.
2. Turn the power on at breaker/fuse box and test the dishwasher operation by running a Soak and Hold cycle (This should take about ten minutes.)
3. Turn off the electrical power and check for leaks under the dishwasher and sink.
4. Make sure that no kinks have developed in the drain lines.

If there are no leaks and the dishwasher seems to be working properly, continue with the installation.

FITTING THE EDW294E ONE-PIECE CUSTOM DOOR PANEL

Model EDW294E can only be installed with a one-piece custom door panel that extends from the toe kick to the counter top. The unit comes with everything needed to make installing the door panel easy. The door is predrilled for the panel's mounting screws.

To order a one-piece door, contact your dealer. The part numbers are listed below:

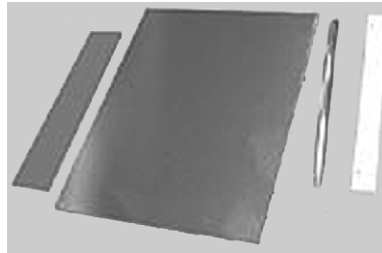
White	750163400
Black	750163600
Bisque	750163700
Stainless Steel	750163800



ITEMS PROVIDED WITH THE ONE-PIECE DOOR PANELS

These items are supplied with the doors:

- ← One-piece door
- ← Color-coordinated toe kick
- ← Door handle
- ← Handle support bracket
- ← Two 1/2" machine screws for handle
- ← Two 1/2" sheet metal screws for toe kick



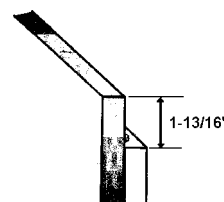
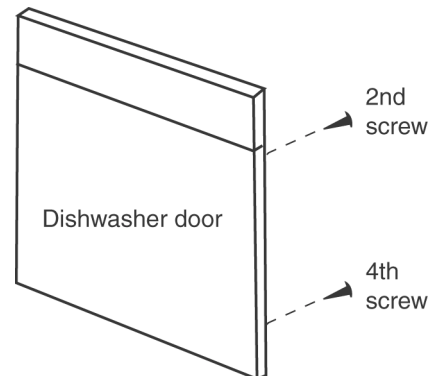
INSTALLING THE ONE-PIECE CUSTOM DOOR PANEL

Before fitting the custom panel, the dishwasher must be installed underneath the cabinet.

For this installation, we recommend that you install the 2" fill strip (see page 6) that comes with the unit to hide the top of the dishwasher and further reduce water noise.

NOTE: Do not fasten the dishwasher to the cabinet until after you have installed the door panel.

1. Remove the custom panel and parts from the packaging.
2. Move the insulation on the back of the custom panel.
3. Slide the handle support bracket to the inside top of the panel.
4. Insert the screws through the support bracket and the panel.
5. Fit the door handle to the screws and secure tightly.
6. Remove the rubber gaskets from inside the dishwasher door and discard.
7. Remove the second and fourth screws from the inside top of the dishwasher door (as illustrated) and discard.
8. With the door slightly open, position the panel with the holes in alignment with the door holes and secure it in place with 2-12" squeeze clamps on both sides.
9. Insert the 1-1/2" screws partially through the dishwasher door.
10. Loosen the clamp on one side enough to align the screws with the holes in the panel.
11. Secure the screws.
12. Repeat steps 9 and 10 for the other side.
13. Close the door and, if necessary, adjust for square by adjusting the front levelling legs for proper height clearance.
14. Fasten the dishwasher to the cabinet (see page 9).



With this installation, the custom panel extends 1-13/16" inches above the dishwasher control panel, as illustrated.

BUILDING A CUSTOM WOOD DOOR PANEL FOR MODEL EDW294E

If you prefer, you can build a custom wood door panel for this model to match the cabinets.

CUSTOM WOOD PANEL DIMENSIONS

Width: 23-3/8" (595 mm)

Height: 28-1/4 min. to 30-1/16" max.
(718 mm–764 mm)

(Measured from the top of the panel to the lower edge of the kitchen cabinet.)

Thickness: 1/4" (6 mm) minimum to 3/4" (19 mm) maximum

Weight: Up to 22 lb.

NOTE: Screws for mounting custom wood panels less than 3/4" are not supplied with the unit.

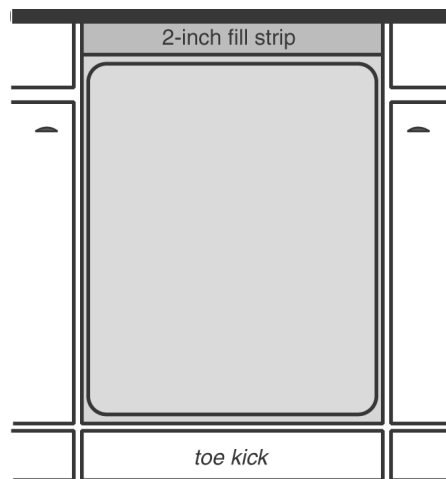
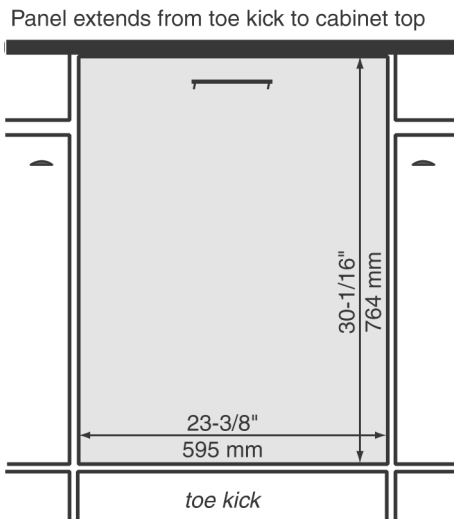
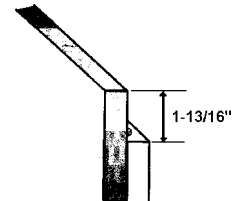
MOISTURE BARRIER

Among the materials supplied with your unit are two strips of moisture resistant material (moisture barriers). One of these is intended to be affixed along the bottom edge of the back of the wood panel to prevent possible moisture damage. You should have already attached the other moisture barrier to the underside of the countertop.

CUSTOM WOOD PANELS THAT EXTEND TO THE CABINET TOP (30-1/16")

With this installation, the custom panel extends 1-13/16" inches above the dishwasher control panel, as illustrated at right.

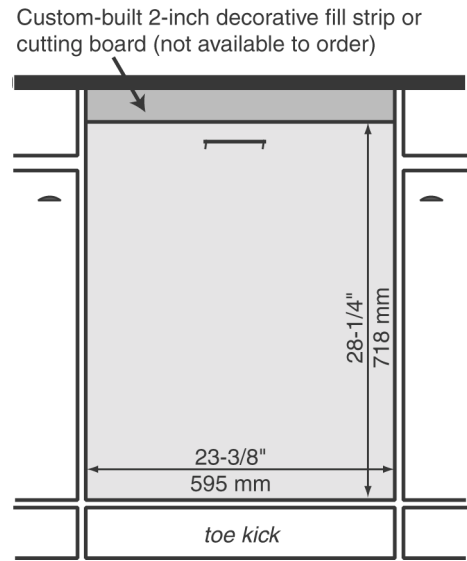
This installation also leaves a 2" gap between the top of the dishwasher and the cabinet. We recommend that you install the 2" fill strip that comes with the unit between the upper edge of the dishwasher and the counter to hide the top of the dishwasher and further reduce water noise.



NOTE: You will also need to build a custom wood toe kick to match the wood door panel.

WOOD PANELS THE SAME HEIGHT AS THE DISHWASHER DOOR (23-1/4")

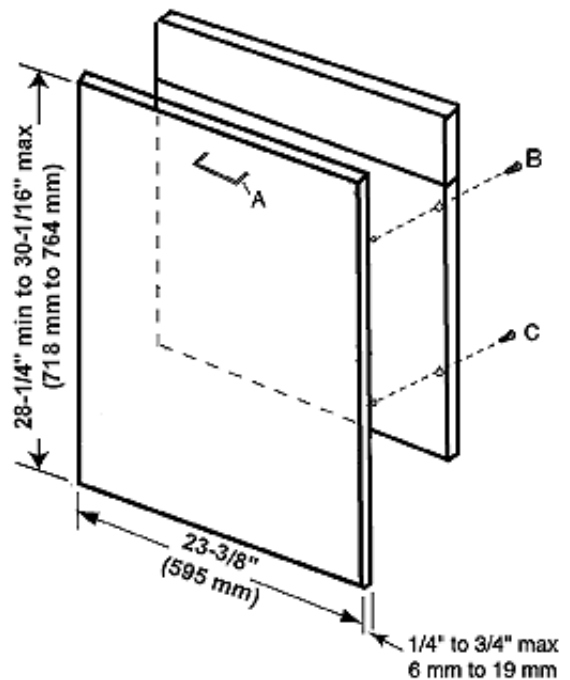
If the custom panel is the same height as the dishwasher door, a 2" decorative fill strip or pull-out cutting board must be used to fill the area between the panel and the counter top (as illustrated at right).



INSTALLING A CUSTOM WOOD PANEL

To install the custom wood panel, follow the steps below.

1. Attach the handle (A) to the wood panel. (It is best to use a handle instead of a knob.)
2. Remove the second and fourth screws (B and C) from the inside top of the dishwasher door and discard.
3. With the door slightly open, position the wood panel with the holes in alignment with the door and secure it in place with 2-12" squeeze clamps on both sides.
4. If you are installing a 30-1/16" high panel, it should extend 1-13/16" above the control panel. It's a good idea to take this measurement before you proceed.
5. Insert the 1-1/2" screws supplied with the unit through the panel and door.
6. Secure the screws.
7. Close the door and, if necessary, adjust level by adjusting the front levelling legs for proper height clearance.
8. Fasten the dishwasher to the cabinet (see page 9).



Note: If your wood panel is less than 3/4" thick, the screws supplied with the unit will not work. You must purchase shorter screws that will not puncture the wood panel from a local hardware store.

LOADING THE DISHWASHER

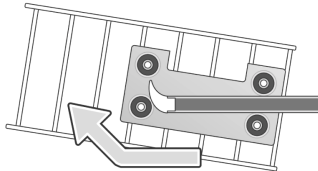
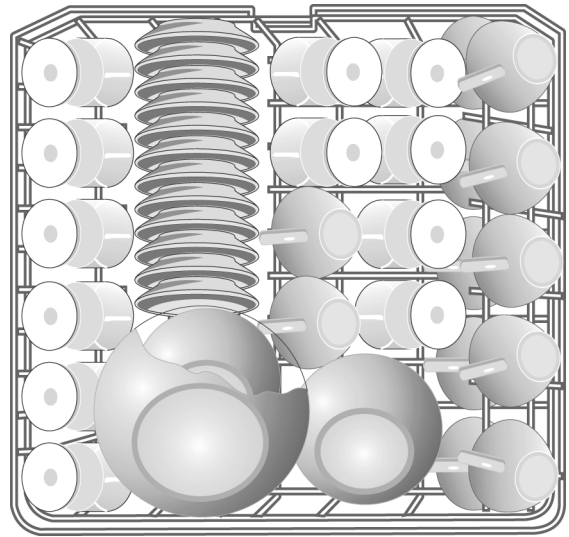
LOADING THE UPPER BASKET

The upper basket holds small and medium-sized items, such as glasses, cups, saucers, bowls and small plates, as illustrated below. To make loading and unloading easier, the upper basket can be pulled out all the way.

Careful arrangement of the dishes will ensure optimal cleaning. It is best not to load items atop one another because it could prevent water from spraying over the whole surface of the items.

Make sure the dishes are securely in place and that nothing can fall between the basket tines.

You can pull the upper basket all the way out of the dishwasher. To do so, pull it out until it stops, then tilt it up then out, as illustrated below.



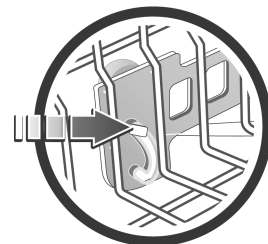
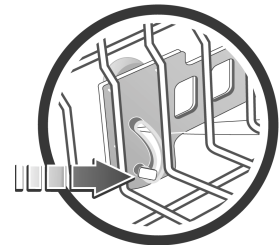
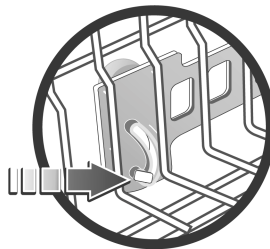
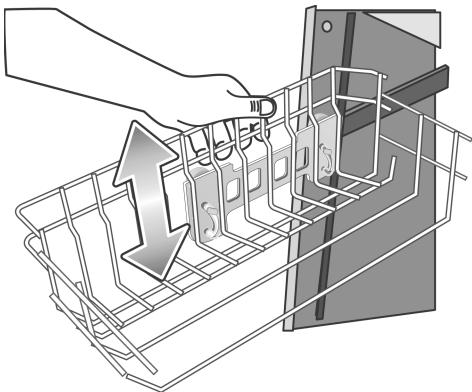
ADJUSTING THE UPPER BASKET

You can adjust the height and slant of the upper basket. To do this, follow the steps below:

1. Pull the basket out until it stops.
2. Grip the left side of the basket and pull up and slightly forward.
3. Allow the basket to slide down while guiding with your left hand.

To return the basket to the level and up position, follow the steps below:

1. Pull the basket out until it stops.
2. Grip the left side of the basket.
3. Gently pull up and forward until the basket is level and locks into position.

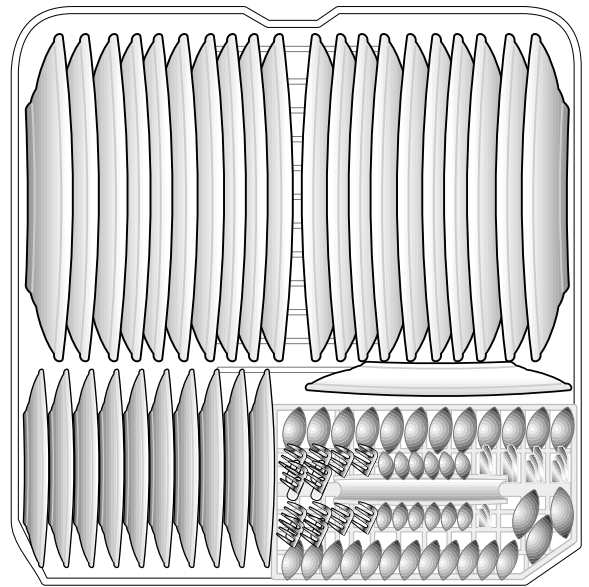
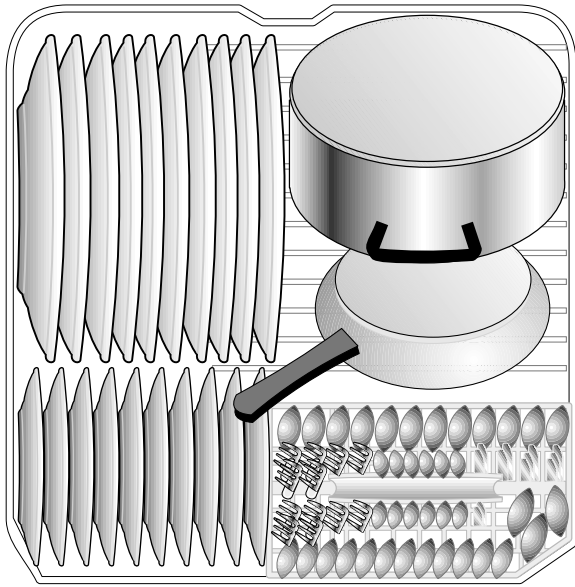


LOADING THE LOWER BASKET

Load larger items in the lower basket, such as, dinner plates, pots and pans, serving dishes, and casseroles. Be sure to load dishware facing downward or toward the center of the dishwasher.

When loading tall items in the lower basket, make sure the upper spray arm turns freely.

NOTE: Be careful not to position items so close to the door that they could prevent the detergent dispenser from opening.



LOADING THE CUTLERY BASKET

The cutlery basket is designed with 6 compartments to help keep the silverware separated. Load silverware with the handles downwards and spread it out as much as possible to avoid nesting. For safety, load knives with the blades pointed toward the bottom of the basket.

Avoid placing silverware made of different materials (e.g., silver and stainless) in the same compartment because of the risk of discoloration. (See page 32.)

CUTLERY CADDY

Models EDW242C, EDW254E, EDW274E, and EDW294E come with a cutlery caddy that snaps down over the entire cutlery basket. This lid is ideal for keeping small, lightweight items safely in the cutlery basket.

DETERGENT DISPENSER

The detergent and rinse aid dispensers are on the inside of the dishwasher door.

If the detergent dispenser is not open, push the small lever at the top, as illustrated. There are two compartments. The one marked "15" holds about one tablespoon of detergent. This compartment should generally be filled for lightly soiled wash loads. The compartment marked "25" holds about one and one-half tablespoons of detergent. This compartment should be used for normally and heavily soiled loads.

For extremely soiled loads, such as baked-on casseroles, you may need to use a prewash. The detergent for prewash goes into the small indentation on the outside of the detergent dispenser door. You should only need about a teaspoon of detergent for the prewash.

NOTE: The amount of detergent used for the main wash and prewash combined should never be over three tablespoons.

Always add the detergent just before starting the dishwasher, otherwise it could get damp and won't dissolve properly.

TYPE OF DETERGENT TO USE

We recommend that you use only unscented, granular automatic dishwashing detergent. **Using the wrong detergent could cause flooding and/or damage your dishwasher.** Do not use detergent that has been wet and is clumped. Also, check the expiration date on the container.

WARNING! Never use liquid dishwashing soap. It will cause the machine to oversuds. Use only automatic dishwashing detergent, preferably a granular.

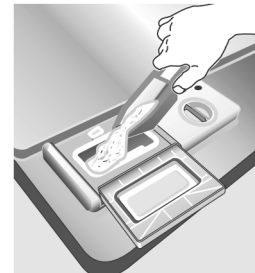
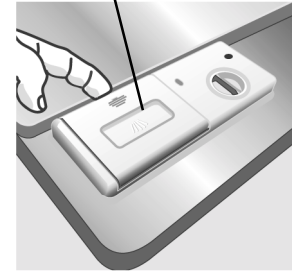
WARNING! Dishwasher detergent is corrosive! Take care to keep it out of reach of children.

AMOUNT OF DETERGENT TO USE

Eurotech dishwashers are designed to be energy efficient. Because the machine uses less water than conventional dishwashers, you also use less detergent and rinse aid. **Generally, only one tablespoon of detergent is needed for a normal wash load.** The amount of detergent needed for your dishes, however, could be more, depending on the hardness of the water in your area. Also, more heavily soiled items need more detergent. (See page 19.)

To determine the water hardness in your area, contact your local water utility or area water softening company. The harder the water, the more detergent you may need. Refer to the following chart for the recommended detergent amounts based on water hardness. Remember, you should adjust the amount of detergent you use by small amounts until you find the correct amount.

The prewash detergent goes here.



**RECOMMENDED DETERGENT AMOUNTS
BASED ON WATER HARDNESS**

WATER HARDNESS	DETERGENT AMOUNTS	
Soft (0-3 grains per gallon)	Prewash	1 teaspoon
	Main wash	1 to 1-1/2 tablespoons
Medium (4-8 grains per gallon)	Prewash	1 teaspoon
	Main wash	1 to 2 tablespoons
Hard (9+ grains*)	Prewash	1 teaspoon
	Main wash	2 to 3 tablespoons

NOTE: We recommend that you do not add prewash detergent for the Quick or Light wash programs.

* 12 grains and higher is extremely hard water and detergent alone may not be enough. You may need to use a water softener to maximize the performance of your dishwasher. Also, in areas with extremely hard water (9+) you may need to wash at lower temperatures to prevent hard water deposits from forming in tank and wash system.

In hard water areas, both the dishes and the machine can develop a white or gray film after a while. This can be removed by replacing the prewash detergent with two tablespoons of citric acid. If the water is very hard, use a rinse aid that contains citric acid.

Different brands of dishwasher detergent have different amounts of phosphorous for softening water. If you have hard water and use a detergent with less than 8.7% phosphorous content, you may need to use more detergent or use a detergent with more than 8.7% phosphorous content.

NOTE: If you live in an area with hard water, after a time you may get hard water spots on your dishes. Refer to page 27 for information on how to remove these spots.

RINSE AID DISPENSER

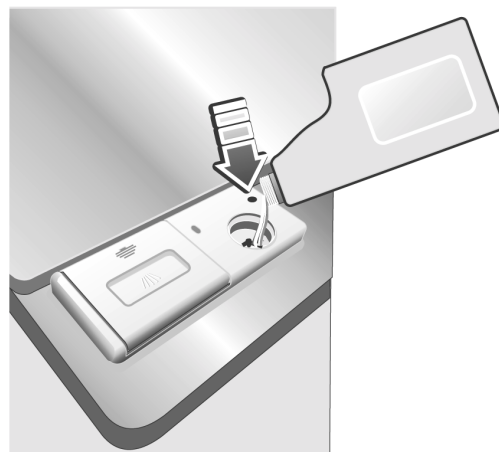
Eurotech dishwashers are designed to use liquid rinse aids in hard water areas. The rinse aid dispenser is located inside the door next to the detergent dispenser.

The rinse aid is released during the final rinse to prevent water from forming droplets on your dishes that can leave spots and streaks. It also improves drying by allowing water to “sheet” off the dishes.

To fill the rinse aid dispenser, follow the steps below.

1. Open the dispenser by turning the cap to the left then lift it out.
2. The dispenser holds about four ounces of liquid rinse aid. Pour the rinse aid into the dispenser until the level indicator turns completely black, being careful not to overfill. (Overfilling could cause the dishwasher to oversuds.)
3. Wipe away any spills with a damp cloth.
4. Replace the cap by turning it to the right until it stops. It's a good idea to give the cap a tug to make sure it's secure.

If you have soft water, rinse aid may cause a white film to develop on your dishes. If this happens, you may not need rinse aid.



ADJUSTING THE AMOUNT OF RINSE AID DISPENSED

A measured amount of rinse aid is released during the final rinse. As with detergent, the amount of rinse aid needed for your dishes depends on the hardness of the water in your area. (See previous page.) Too much rinse aid can result in lather or foaming and cause cloudiness or streaks on your dishes. If the water in your area is very soft, you may not need rinse aid. If you do, you can dilute the rinse aid with an equal amount of water.

The rinse aid dispenser has four settings. Always start with the dispenser set on “1.” If spots and poor drying are problems, increase the amount of rinse aid dispensed by removing the dispenser lid and rotating the dial to “2.” If the dishes still aren't drying properly or are spotted, adjust the dial to the next higher number until your dishes are spot-free.



WHEN TO REFILL THE RINSE AID DISPENSER

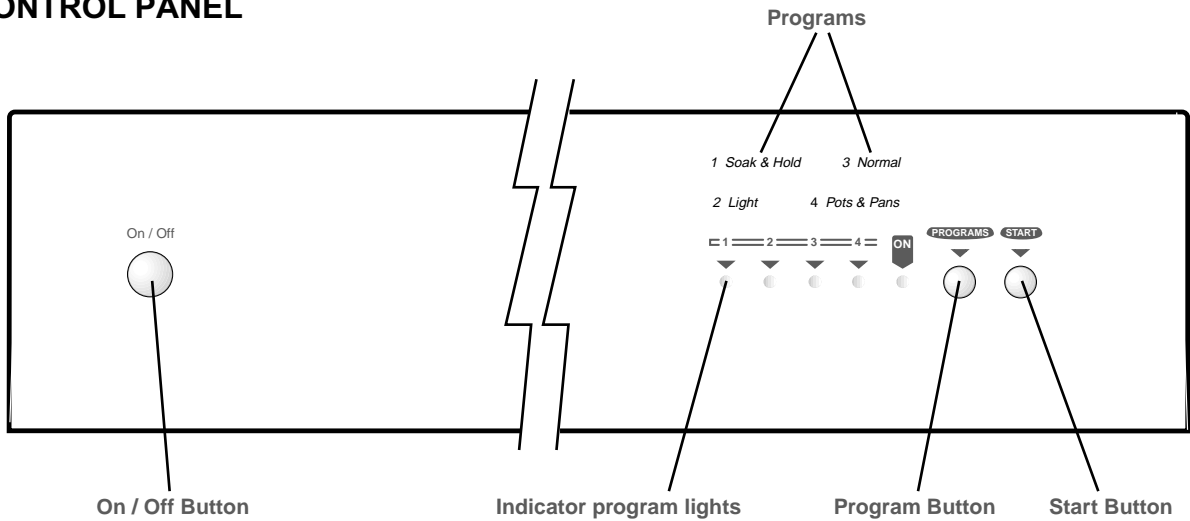
The black dot on the rinse aid dispenser indicates the amount of rinse aid in the dispenser. As the rinse aid diminishes, the size of the black dot decreases. You should never let the rinse aid get below one-quarter full.

RINSE AID INDICATOR LIGHT

Models EDW254E, EDW274E, and EDW294E have a rinse aid indicator light on the control panel that comes on when the dispenser is empty. After you refill the dispenser, the light will continue to glow until the program is complete.

MODEL EDW242C OPERATING INSTRUCTIONS

CONTROL PANEL



ON/OFF BUTTON

Press the this button, “The LED corresponding to the last wash cycle performed lights up”

INDICATOR PROGRAM LIGHTS

The ON lights indicate which cycle is currently in progress.

PROGRAM BUTTON

When you press the button for the first time, you confirm the wash cycle that corresponds to the flashing LED. The next time you press the button, the LED of the program that corresponds to the wash cycle you intend to select will light up. At the end of the cycle, the selected program flashes. Select the program which you believe is best suited to the types of dishes which need to be washed.

START BUTTON

Press button with the appliance door shut, the wash cycle will start and the LED on the button itself will light up.

INDICATOR “ON” LIGHTS

The light to indicate the power is on.

CANCELLING A PROGRAM

To modify a wash cycle in progress, you must press the Start button for approximately 6 seconds; subsequently, the LED of the selected program begins to flash. The RESET phase will end when the Start button LED goes off. At this point, the appliance is ready to be set again.

If you forget to put a dish in, you can interrupt the wash cycle (preferably only if it hasn't been running for long) by pressing the Start button which then flashes; open the appliance door and place the dish inside. **To restart the appliance, close the door and press the Start button again; the cycle will resume from the point in which it was interrupted.**

To repeat the same cycle, press the program button and then the Start button.

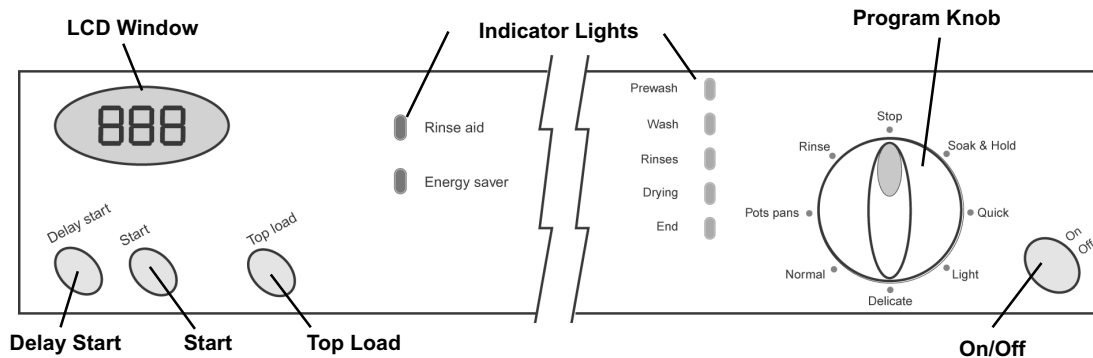
Before you restart the unit, make sure the detergent dispenser is still closed; otherwise, you will have to add detergent. (Please note that if the program has run beyond the fill phase, the water will be pumped out.)

EDW242C PROGRAMS

Wash Program	Wash Temps (° F)	Rinse Temp (° F)	Recommended Loads
	Normal		
Soak (& hold)	House		For extra-heavily soiled loads that require a presoak, such as pans or baked-on casseroles
Light	105	105	Light soiled loads
Normal	130	130	Normally soiled loads
Pots & Pans	150	140	Heavily soiled loads, such as pans or casseroles

MODEL EDW254E OPERATING INSTRUCTIONS

CONTROL PANEL



ON/OFF BUTTON

Press this button to turn the power to the machine on and off. The LCD will light up when the power is on. You must turn the power on before you select a program or option.

PROGRAM KNOB

Turn the program knob left or right until the pointer aligns with the program you wish to select.

Before you can select a program, you must turn the program knob back to the "stop" position to reset the unit.

INDICATOR LIGHTS

The lights on the right indicate which cycle is currently in progress.

The Rinse Aid light glows when you need to add rinse aid. (See page 17 for instructions on how to load the rinse aid dispenser.)

The Energy Saver light indicates that you have selected a program that uses the low wash temperature.

OPTION BUTTONS

Please note that you must select the options *after* you've selected the wash program and *before* you press the Start button. The buttons for the options selected will glow.

DELAY START

You can delay starting the program from 1 to 16 hours. Press this button until the number of hours you wish to delay starting the program displays on the LCD. The Delay Start button will glow when you select a delayed start.

START

After you have selected the wash program and option(s) you prefer, press this button to start a program. A signal will sound to indicate the program has begun and the LCD will display the program run time.

TOP LOAD

This option is good for small loads that only fill the top or bottom basket. (This option is not available with the Soak and Hold and Rinse programs.)

This button allows you to wash only the top *or* bottom basket. Press this button once to wash the top basket only. The LCD will display three bars across the top to indicate the top basket wash has been selected.

To wash the bottom basket only, press this button twice. The LCD will display three bars across the bottom to indicate the bottom basket wash has been selected.

The Top Load button will glow when you select a top or bottom basket wash.

LCD WINDOW

The LCD displays programs, delay hours, and run time. It also displays error codes (see page 31).

CANCELLING A PROGRAM

To cancel a program after it has started, turn the program knob to the Stop position until "--" displays in the LCD window. You will have to reselect the program and options and press Start again to restart the unit. Before you restart the unit, make sure the detergent dispenser is still closed; otherwise, you will have to add detergent.

Please note that if the program has run beyond the fill phase, the water will be pumped out and a buzzer will sound. When the selected program setting displays you can change the program.

END-OF-PROGRAM BUZZER

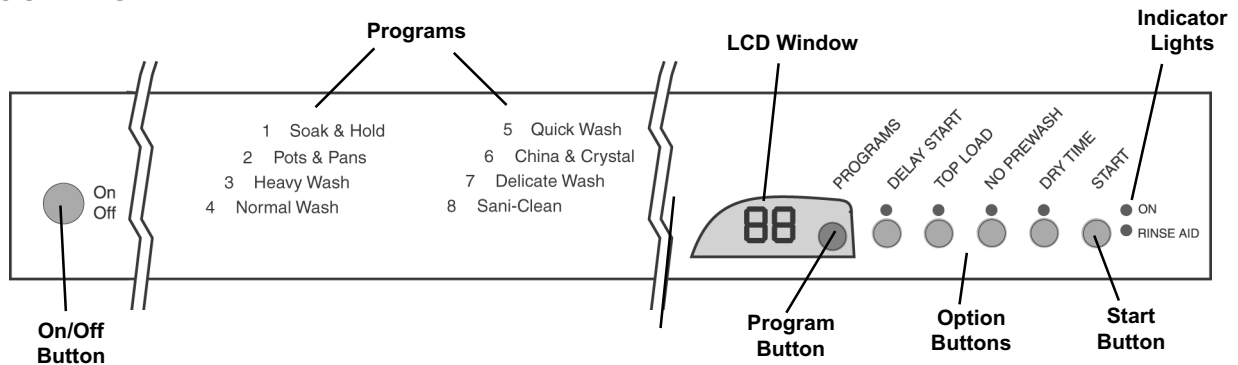
At the end of the program, a prolonged buzzer will sound. This indicates the program is complete.

EDW254E PROGRAMS

Wash Program	Wash Temp (° F)	Rinse Temp (° F)	Recommended Loads
Soak & Hold	House	House	For extra-heavily soiled loads that require a presoak, such as pans or baked-on casseroles
Quick	130	130	Lightly soiled loads
Light	130	130	Lightly soiled loads
Delicate	130	130	Delicate items, e.g., china or crystal
Normal	150	150	Normally soiled loads
Pots & Pans	150	150	Heavily soiled loads, such as pans or casseroles
Rinse	House	130	Loads to be washed at a later time

MODEL EDW274E OPERATING INSTRUCTIONS

CONTROL PANEL



ON/OFF BUTTON

Press this button to turn the power to the machine on and off. The LCD will light up when the power is on. You must turn the power on before you select a program or option.

LCD WINDOW

The LCD displays programs, delay start hours, and run time. It also displays error codes (see page 31).

PROGRAM BUTTON

Press the program button until the number for the program you wish to select displays (e.g., P1, P2, etc.). The correlating number for each program is shown on the control panel.

OPTION BUTTONS

Please note that you must select the options *after* you've selected the wash program and *before* you press the Start button.

Delay Start

Press this button until the number of hours you wish to delay starting the program displays on the LCD. You can delay starting the program from 1 to 16 hours. The indicator light above this button will glow when this option is selected.

Top Load

This option is designed to save water and energy by allowing you to wash only the top or bottom basket. The indicator light above this button will glow when this option is selected. (This option is not available with the Soak and Hold program.)

Press the Top Load button once to wash the top basket only. The LCD will display two bars across the top to indicate the top basket wash has been selected.

To wash the bottom basket only, press this button twice. The LCD will display two bars across the bottom to indicate the bottom basket wash has been selected.

No Prewash

This option lets you turn off the prewash cycle for the Pots & Pans and Heavy Wash programs. The light above this button will glow to indicate that you have selected this option.

Dry Time

This button overrides the automatic drying time for the program you select and lets you specify the length of time to fan dry the dishes. The indicator light above this button will glow when you have selected this option.

Your options are 0, 20, 35, or 45 minutes. (The factory-set drying time is 20 minutes.) The LCD codes

for this option are as follows:

A0 = no dry A2 = 35 minutes
A1 = 20 minutes A3 = 45 minutes

START BUTTON

After you have selected the wash program and option(s) you prefer, press this button to start a program. A signal will sound to indicate the program has begun and the LCD will display the program run time.

INDICATOR LIGHTS

The On light indicates that the power to the unit is on. The Rinse Aid light glows when you need to add rinse aid. (See page 20 for instructions on how to load the rinse aid dispenser.)

ADDING AN ITEM

WARNING!

Be extremely careful when opening the door during a program. The water is hot and you could get scalded.

To add an item after a program has started, open the door *slightly* until the spray arms stop turning. You can then open the door fully and place the item into the dishwasher. Close the door and press the Start button to restart the program from where it stopped.

CANCELLING A PROGRAM

To cancel a program after it has started, press and hold the Start button until the unit beeps and the program display shows P1-P8. If the display shows "00" turn the unit off then back on to clear the program.

You will have to reselect the program and options and press Start again to restart the unit. Before you restart the unit, make sure the detergent dispenser is still closed; otherwise, you will have to add detergent.

END-OF-PROGRAM BUZZER

At the end of the program, a prolonged buzzer will sound to indicate the program is complete. To disable (or enable) the buzzer, follow the instructions below:

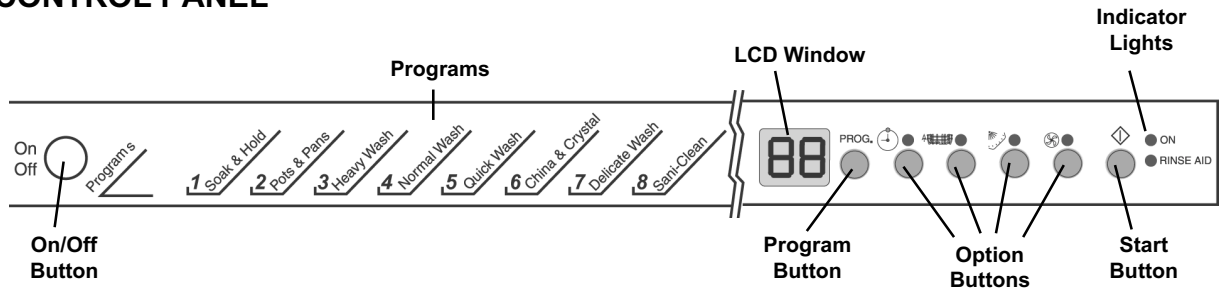
1. Turn the power off.
2. Press and hold the Program button while you press the On/Off button. The LCD will display one of the following:
B0 = buzzer is on
B1 = buzzer is off
3. Press the Program button to toggle between B0 and B1. Release the Program button when your preference displays.
4. Wait six seconds for the change to be set. A short beep will sound when the change is accepted.

EDW274E PROGRAMS

Wash Program	Wash Temp (° F)	Rinse Temp (° F)	Recommended Loads
Soak & Hold	House	House	Heavily soiled items, such as pans or casseroles
Pots & Pans	150	150	Heavily soiled loads, such as pans or casseroles
Heavy Wash	150	150	Heavily soiled loads, such as pans or casseroles
Normal Wash	140	150	Normally soiled loads
Quick Wash	130	130	Lightly soiled loads
China & Crystal	130	130	China and crystal items
Delicate	130	130	Delicate items
Sani-Clean	160	160	Items that can withstand high water temps

MODEL EDW294E OPERATING INSTRUCTIONS

CONTROL PANEL



ON/OFF BUTTON

Press this button to turn on the power to the machine. The power must be on before you can select the program and options.

LCD WINDOW

The LCD displays programs, delay start hours, and program run times. It also displays error codes (see page 31).

PROGRAM BUTTON

Press the program button until the number for the program you wish to select displays (e.g., P1, P2, etc.). The program numbers correlate to the order in which the programs are shown on the control panel, starting on the left (Soak and Hold).

OPTION BUTTONS

Please note that you must select the options after you've selected the wash program and before you start the dishwasher.

Delay Start

You can delay starting the program from 1 to 16 hours. Press this button until the number of hours you wish to delay starting the program displays on the LCD. The small light above this button will glow to indicate that you have selected this option.

Top Load

This option is designed to save water and energy by allowing you to wash only the top or bottom basket. The indicator light above this button will glow when this option is selected. (This option is not available with the Soak and Hold program.)

Press the Top Load button once to wash the top basket only. The LCD will display two bars across the top to indicate the top basket wash has been selected.

To wash the bottom basket only, press this button twice. The LCD will display two bars across the bottom to indicate the bottom basket wash has been selected.

No Prewash

This option lets you turn off the prewash cycle and is only available for programs with a prewash, i.e., Pots & Pans and Heavy Wash. The indicator light above this button will glow to indicate that you have selected this option.

Dry Time

This button overrides the automatic drying time for the program you select and lets you specify the length of time to fan dry the dishes. The indicator light above this button will glow when you have selected this option.

Your options are 0, 20, 35, or 45 minutes. (The factory-set drying time is 20 minutes.) The following defines what the LCD codes for this option are:

- | | |
|-----------------|-----------------|
| A0 = no dry | A2 = 35 minutes |
| A1 = 20 minutes | A3 = 45 minutes |

START BUTTON

Once you have selected a program and options, press this button and close the door to start the dishwasher. A signal will sound to indicate the program has begun and the LCD will display the estimated program run time.

If you stop a program in progress by opening the door, you will need to press the Start/Stop button again to restart the program from the interrupted point.

INDICATOR LIGHTS

The On light indicates that the power to the unit is on. The Rinse Aid light glows when you need to add rinse aid. (See page 20 for instructions on how to load the rinse aid dispenser.)

ADDING AN ITEM

WARNING!

Be extremely careful when opening the door during a program. The water is hot and you could get scalded.

To add an item after a program has started, open the door *slightly* until the spray arms stop turning. You can then open the door fully and place the item into the dishwasher. Close the door and press the Start button to restart the program from where it stopped.

CANCELLING A PROGRAM

To cancel a program after it has started, press and hold the Start button until "P1-P8" displays in the LCD window. You will have to reselect the program and options and press Start again to restart the unit. Before you restart the unit, make sure the detergent dispenser is still closed; otherwise, you will have to add detergent.

END-OF-PROGRAM BUZZER

At the end of the program, a prolonged buzzer will sound to indicate the program is complete. To disable (or enable) the buzzer, follow the instructions below:

1. Turn the power off.
2. Press and hold the Program button while you press the On/Off button. The LCD will display one of the following:
B0 = buzzer is on
B1 = buzzer is off
3. Press the Program button to toggle between B0 and B1. Release the Program button when your preference displays.
4. Wait six seconds for the change to be set. A short beep will sound when the change is accepted.

EDW294E PROGRAMS

Wash Program	Wash Temps (° F)	Rinse Temp (° F)	Recommended Loads
Soak & Hold	House	House	Heavily soiled items, such as pans or casseroles
Pots & Pans	150	150	Heavily soiled loads, such as pans or casseroles
Heavy Wash	150	150	Heavily soiled loads, such as pans or casseroles
Normal Wash	140	150	Normally soiled loads
Quick Wash	130	130	Lightly soiled loads
China & Crystal	130	130	China and crystal items
Delicate	130	130	Delicate items
Sani-Clean	160	150	Items that can withstand high water temps

CARE AND MAINTENANCE

The interior of your Eurotech dishwasher is made of surgical quality stainless steel that has been electro-polished to make it the smoothest surface available. The smooth surface prohibits the accumulation of dirt and bacteria inside the unit. If the water in your area is especially hard, however, lime deposits could form inside the machine. If this happens, you can remove them by putting two tablespoons of citric acid in the detergent compartment and running a Normal program. In extremely hard water areas you may need to repeat this process a few times to remove hard water deposits.

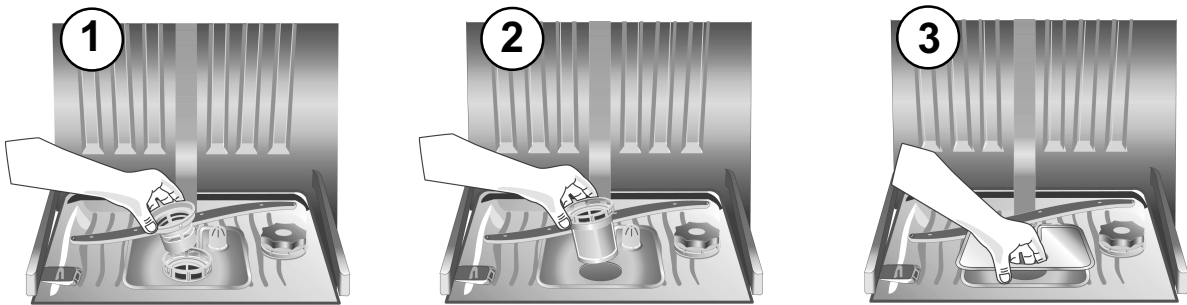
CLEANING THE FILTERS

For your convenience, we have placed the drain pump and filtering system within easy reach inside the tub. There are three components of the filtering system: the central filter, the external water filter, and the filter grid.

In hard water areas, it may be necessary to clean chemical buildup from the filters every 12 to 18 months. To do this, follow the steps below:

1. Remove the central filter.
2. Remove the external water filter.
3. Remove the filter grid.
4. Wash all three filters gently in hot, soapy water and rinse them thoroughly.

Never run the dishwasher without the filters in place.



CLEANING THE DOOR

To clean the edge around the door, use only a soft warm, damp rag. To prevent penetration of water into the door lock and electrical components, **do not use a spray cleaner of any kind.**

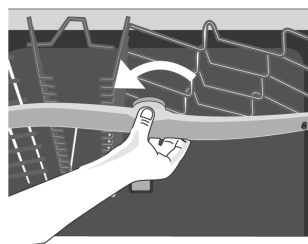
WARNING!

Never use a spray cleaner of any kind on the door panel. You could damage the door lock and electrical components. And never use abrasive cleaners or scouring pads on the outer surfaces because they will scratch the finish. Also, some paper towels can scratch or leave marks on the stainless steel surface.

CLEANING THE SPRAY ARMS

Spray-arm jets and bearings may sometimes become clogged with hard water deposits. To remove the upper spray arm, grip the center and turn it counterclockwise. To remove the bottom spray arm, grip the arm near the center and pull upward.

Wash the spray arms in warm, soapy water. Use a soft brush to clean the jets. **Rinse thoroughly** and replace.



CLEANING THE WATER INLET FILTER

In hard water areas, a chemical buildup may form on the water inlet filter. To clean this filter, remove it from the inlet hose and clean it with warm water and a soft brush.

OVERFILL PROTECTION

Your Eurotech dishwasher has an overflow protection device that automatically shuts off the inlet valve and starts the drain pump if the water level in the unit should rise above the normal level. If this happens, turn the water off at the main supply and call for service.

If there is water in the base pan due to an overflow or small leak, the water must be removed before the dishwasher will start.

SOLUTIONS TO COMMON DISHWASHING PROBLEMS

As with any new appliance, it sometimes takes using it a few times to learn to operate it properly. If you are having minor performance problems with your dishwasher, read this section before calling for service. It may save you time and unnecessary expense.

Poor washing performance

- ← The dishes may not be loaded properly. Make sure that soiled surfaces are facing downward or toward the center of the dishwasher. Also, make sure that the bowls, pots, etc., are not stacked so closely that water can't reach the soiled surfaces.
- ← Make sure you are using the appropriate program settings for the dirtiness of your dishes.
- ← An item may be obstructing the spray arm rotation. With the baskets loaded and in place, manually turn the spray arms to make sure they move freely.
- ← Your dishwasher detergent should be fresh and stored tightly closed in a cool, dry place. Old or caked detergent will not dissolve properly. Wait until you are ready to start the dishwasher to add the detergent. If you are using the Delay program, make sure the dispenser is dry before adding the detergent.
- ← Your dishwasher detergent may be inferior. Try a different brand.
- ← Make sure the rinse aid dispenser is filled. (See page 20.)
- ← If you have hard water in your area, try adding more detergent and increasing the amount of rinse aid dispensed. (See page 20.)
- ← Check that the spray arm jets are not clogged. (See page 27.)

Poor drying performance

- ← Select the Fan Dry option, if available.
- ← If you don't want to use Heat Dry, you can decrease the drying time by opening the door slightly to let out the warm, humid air.
- ← Make sure the rinse aid dispenser is filled. (See page 20.)
- ← Make sure you use the proper amount of rinse aid. (See page 20.)
- ← Do not overload the dishes and be careful to avoid nesting.
- ← Load items with concave bottoms tilted so as much water as possible will run off.
- ← Unload the bottom basket first to avoid spilling water onto the dishes when unloading the top basket.
- ← Dishes washed in higher water temperatures will dry faster.
- ← Certain plastics may need to be towel dried.

Plastic items

- ← Always check the manufacturer's suggested care instructions before washing plastic in your dishwasher. Even dishwasher-safe items should be loaded in the top basket, away from the heating element.
- ← Some high-acid foods can discolor plastic. You should rinse these items if you do not plan to run the dishwasher right away.
- ← Plastic items dry poorly and may need to be towel dried.

Chipped or broken dishes

- ← When you load the dishes, be sure they're securely in place and will not fall over or strike against each other during the wash.
- ← Load glasses between the tines, not straddling them.
- ← Move the baskets in and out slowly to avoid slamming the dishes together.
- ← Make sure not to load dishes so high that the spray arms could strike them.
- ← Make sure tall glasses and stemware will clear the top of the tub when you push the basket in.
- ← Always load delicate items in the top basket.
- ← Do not overload the dishwasher.
- ← Do not jam the glasses together when loading.

Stains and discolorations

Stains or discoloration on dishes could be caused by a number of things. Listed below are some of the most common causes. See also "Washing Special Items" on page 32.

- ← Too much iron or manganese in the water can cause yellow or brown marks on your dishes. As a temporary solution, in place of the prewash detergent, use one teaspoon to one tablespoon of citric acid crystals. You should consider installing a water filtering system.
- ← Coffee and tea stains usually have to be removed by handwashing in a solution of 1/2 cup bleach and one quart of water. (Do not use on sterling silver or silver plate.) Be sure to rinse these items thoroughly before putting them in the dishwasher so there is no bleach residue on the dishware.

Etching

If you have a cloudy film on your dishes that can't be removed, it could be etching. To prevent etching, try the following:

- ← Use less detergent. You may be using too much for the water hardness in your area. (See page 19.)
- ← Use a good quality dishwasher detergent.
- ← Do not overload the machine. Water should circulate freely to ensure adequate rinsing and draining.
- ← Fill the rinse aid dispenser (unless you have soft water in your area; in which case you may not need a rinse aid.) (See page 20.)
- ← Use a lower water temperature setting.
- ← Do not use the Heat Dry option.
- ← Do not pre-rinse the dishes; just scrape off large food particles and bones.

Hard Water Spots

If you live in an area with hard water, after a time you may get hard water spots on your dishes. To remove these spots, try the following:

1. Run dishes through a normal wash program.
2. Remove all metal dishware, such as cutlery, pans, etc., from the dishwasher.
3. Do not add detergent.
4. Pour two cups of vinegar into a bowl and set the bowl face up on the bottom rack of the dishwasher.
5. Run the dishes through a Normal wash program.

If this doesn't work, try the same process with 1/4 cup of citric acid crystals (available at most drug stores) instead of vinegar.

TROUBLESHOOTING

If you should experience a problem with your dishwasher, you should review the following list of frequently encountered situations. It could save you the cost and inconvenience of a service call.

Even though the product is under warranty, if the problem is not caused by defective product workmanship or materials, you will be charged for a service call. Refer to page 33 to determine what is and is not covered under your warranty. If you're still not sure, contact the Eurotech Advisory Center before you call a service technician.

Detergent left in compartment

- ← Be careful not to load items so close to the dispenser that the cover will not open to release the detergent.
- ← The dispenser is not supposed to open when you use the Rinse program.
- ← Your dishwasher detergent should be fresh and stored tightly closed in a cool, dry place. Old or caked detergent should be thrown away because it will not dissolve properly and will leave a gritty residue on the dishware.
- ← Wait until you are ready to start the dishwasher to add the detergent.
- ← If you are using the Delay program, make sure the dispenser is dry before adding the detergent.
- ← The detergent compartment only opens in the main wash programs, not the Rinse program.

Dishwasher makes unusual noises

- ← This usually means that something is not loaded properly. Make sure the dishes are securely in place and that nothing has fallen between the basket tines. Also, place small items in the cutlery basket and close the lid.

Dishwasher leaks

- ← Use only unscented, granular automatic dishwasher detergent. Using a liquid detergent could cause oversudsing and leakage.
- ← You should always use fresh detergent.
- ← The amount of detergent needed for your dishes depends on the hardness of the water in your area. Contact your local utility company to learn the water hardness in your area then refer to the chart on page 19 to determine the amount of detergent to use.
- ← Be careful not to overfill the rinse aid dispenser. Spilled rinse aid could cause oversudsing and lead to overflowing. Wipe away any spills with a damp cloth.
- ← Make sure the dishwasher is level. (See the *Installation Instructions* section.)

Dishwasher runs too long

- ← If the temperature of the water entering your dishwasher is below 120°, the dishwasher runs longer because it heats the water to the proper temperature for the program selected. Raising your water heater setting may help to shorten the cycle times.

Dishwasher does not drain properly

- ← Make sure that the cycle was complete before you opened the dishwasher. If not, allow it to complete and check again.
- ← Some water left in the sump area near the drain is normal.
- ← If the plumbing code in your area requires an air gap, make sure that it isn't blocked or plugged.
- ← If the unit is connected to a garbage disposer, make sure the disposer is empty.
- ← If water backs up into the sink, check the garbage disposer and trap for blockage.
- ← Check the dishwasher filters and drain area for blockage. (See page 27.)
- ← Check for a kink in the drain hose.

Dishwasher does not fill properly

- ← Make sure the water supply is turned on.
- ← Make sure the dishwasher is turned on and the door is closed securely.
- ← Check for crimps in the water feed line.
- ← Make sure the water inlet filter isn't clogged. (See page 27.)
- ← The system is designed to detect an overflow. When it does, it shuts off the circulation pump and turns on the drain pump. (See "Overfill Protection" on page 28.)

Dishwasher will not start

- ← Make sure the dishwasher is turned on and the door is closed securely.
- ← Make sure the Delay option is not selected.
- ← Check that the water supply is connected properly and the water is turned on.
- ← Make sure the power cord is properly plugged into the wall socket.
- ← Check your fuse box for a blown fuse or tripped circuit breaker.

ERROR MESSAGES ON MODELS EDW254E, EDW274E, AND EDW294E

An error will display in the LCD window if a fault occurs while a program is in progress. The table below defines each error message.

ERROR	DEFINITION
E1	Fill fault. Check that the main water supply is turned on. If it is, call a service technician.
E2	Wash and heating fault. Call a service technician.
E4	Water fill fault. Call a service technician.
E5	Drain fault. Make sure that nothing is blocking the drain and that the outlet hose isn't kinked. If that is not the case, call a service technician
E6	Low water fault. Check that none of the dishes have overturned and collected water. If this is not the case, call a service technician.
E7	Alternating spray arm fault. Call a service technician.

ERROR MESSAGES ON MODELS EDW242C

N.B.: Anomalies are signalled in the following way:
all the LEDs remain on, while the LED corresponding to the type of error flashes.

Error	When this occurs	Checks to carry out	Action to be taken
LED 1	During the water cycle (the program stops)	- Water supply valve closed - Inlet valve filter blocked - Drain hose is kinked - Drain hose is leaking - Water supply line is kinked - Insufficient water pressure	- Open the water supply valve and reset the dishwasher - Check and clean the inlet valve filter if necessary - Reroute the drain hose to eliminate kinks - Call an authorized service company - Reroute the water supply line to eliminate kinks - Verify the water valve is fully open
LED 2	At the end of the cycle	- Repeat the washing cycle	- If the same problem happens again, contact an authorized service company
LED 5	At the end of the cycle	- The drain hose is kinked - The siphon is blocked - The drain pump is clogged	- Reroute the drain hose to eliminate kinks - Check the siphon - Call an authorized service company
LED 4	At the end of the cycle	- The filter is clogged - A pot is placed up side down	- Clean the filter - Make sure the pot is positioned correctly during the next cycle

WASHING SPECIAL ITEMS

Most common dishware items can be safely washed in an automatic dishwasher. If you have any doubts about a particular item, check with the manufacturer to see if it is dishwasher safe. If that isn't possible, you might wash one item of a set a few times and compare it to the rest of the set to determine if washing it in the dishwasher had any affect on it.

NOTE: Eurotech has no control over what is put in our dishwashers once installed in a customer's home. **You are solely responsible for what you wash in your Eurotech dishwasher.**

Material	Safe	Information and Recommendations
Aluminum	Yes, with	Anodized aluminum may fade or darken. Patches and discoloration may appear, but they can be removed with steel wool. Load aluminum utensils (such as a pie tin or roasting pan) where they do not touch other dishes because this can cause gray or black marks. You can remove these spots with a nonabrasive cleaner
Cast Iron	No	The seasoning is lost and the iron rusts. Hand wash and dry immediately.
China	Yes, with caution	China without decoration or with decoration protected by glaze is dishwasher safe. However, you should arrange the objects so they do not touch each other or they could be damaged. China with a pattern on top of the glaze or with gold leaf decoration may fade. If possible, check with the manufacturer. If that isn't possible, wash one item over an extended period then compare it with the colors and patterns of the rest of the set. Wash in the Quick program on a low temperature setting.
Copper	Yes, with caution	Do not wash copper in the same load as silver or silver plate. It could discolor the silver items. Do not let copper items come in contact with stainless steel.
Crystal	No Yes	Antiques and very delicate china should not be washed in the dishwasher. Certain types of lead crystal may etch if machine washed. Check with the manufacturer. Wash at a low temperature setting. Be sure to load crystal dishware so that it is secure and will not fall over or knock against other dishware while being washed.
Dirilyte	No	Gold-colored flatware can become discolored.
Disposable plastic items	No	Cannot withstand machine washing.
Flatware with bonded handles	No	Certain types of adhesives may loosen when machine washed.
Glass	Yes	<i>Exception:</i> Milk glass may turn yellow.
Knives	No	Sharp kitchen knives may become dull if washed in very hot water and allowed to contact other items during the wash. Wood handles may also warp, crack, or loosen. Plastic handles may discolor. Check manufacturer's washing instructions.
Lead crystal	No	Certain types of lead crystal may etch if machine washed.
Non-dishware items	No	Never wash items such as electronic air cleaners, air filters of any kind, paint brushes, etc. You could damage the dishwasher.
Nonstick coatings	Yes	If marked "Dishwasher Safe." After washing, wipe the nonstick coating area with vegetable oil to maintain its nonstick quality.
Pewter	No	Pewter will tarnish when machine washed.
Plastic	Yes	If the item is labeled "Dishwasher Safe." Otherwise, check with the manufacturer. Always load plastic in the top basket. Do not use Heat dry. Do not wash disposable plastic items.
Silver and Silver plate	Yes, with caution	Rinse these items if you're not going to wash them immediately; salty or acidic foods can stain if left on. Dry dishwasher detergent can produce black marks which are difficult to remove. Do not put silver and silver plate in the same silverware basket with stainless steel. Contact between these metals can damage silver. Do not wash copper utensils in the same load. This could cause a brown film on the silver. Also, adhesives used to attach some hollow-handled knives can loosen.
Stainless Steel	Yes, with caution	Rinse these items if you're not going to wash them immediately; salty or acidic foods can stain if left on. Dry dishwasher detergent can produce black marks which are difficult to remove. Do not mix different types of stainless steel in the same load.
Tin	No	Tin will rust.
Wood	No	Unless marked "Dishwasher Safe" by the manufacturer. Wood can warp, crack or lose shape with any kind of washing.

Eurotech **PRODUCT WARRANTY**

Models EDW242C, EDW254E, EDW274E, EDW294E

Be sure to complete the Warranty Registration Card you received with your appliance and mail it to AM Appliance Group to validate your appliance warranty.

Cosmetic damage must be reported to your dealer within five days from the date of purchase. After unpacking the washer, thoroughly check the unit for cosmetic damage.

ENGLISH

FOR RESIDENTIAL INSTALLATIONS ONLY

LENGTH OF WARRANTY	AM APPLIANCE GROUP WILL PAY FOR:
One-Year Full From date of purchase.	Eurotech replacement parts and/or repair labor to correct defect in materials or workmanship. Service must be provided by an authorized Eurotech service agent.
Two-Year Limited From date of purchase.	Eurotech replacement parts (labor costs not included) for all parts due to defect in materials or workmanship. Service must be provided by an authorized Eurotech service agent.
Five-Year Limited From date of purchase.	Eurotech replacement parts (labor costs not included) for any defective motor controller, motor, drain pump or basket parts. Service must be provided by an authorized Eurotech service agent.
Ninety-Nine Year Limited From date of purchase.	Eurotech replace parts (labor costs not included) for the stainless steel tank if it fails to hold water due to a manufacturing defect, such as rusting or cracking. Service must be provided by an authorized Eurotech service agent.

FOR NON-RESIDENTIAL INSTALLATIONS

Six-Month Full Warranty From date of purchase.	Eurotech replacement parts and/or repair labor to correct defect in materials or workmanship. Service must be provided by an authorized Eurotech service agent.
--	---

AM APPLIANCE GROUP WILL NOT PAY FOR:

- A. Service calls to:
 1. Correct the installation of the appliance.
 2. Repair damage due to shipment, delivery, installation, misuse or abuse.
 3. Instruct how to use the appliance.
 4. Replace house fuses or correct house wiring.
 5. Correct house plumbing, including drain problems related to improper installation.
 6. Clean or service air device in drain line.
- B. Repair and/or replacement parts for failure of product if appliance is used for other than home/residential use.
- C. Damage resulting from accident, fire, floods, acts of God, alteration, misuse, abuse, improper installation, or installation not in accordance with local electrical or plumbing codes.
- D. Any shipping costs for parts during the limited warranty period.
- E. Replacement parts or repair labor costs for units operated outside the continental United States.
- F. Pickup and delivery. Eurotech appliances are designed to be repaired in the home.

IN NO EVENT SHALL AM APPLIANCE GROUP BE RESPONSIBLE FOR ANY INCIDENTAL OR CONSEQUENTIAL DAMAGES.

Some states will not allow the exclusion or limitation of incidental or consequential damages, so this exclusion or limitation may not apply to you. This warranty gives you specific legal rights and you may also have other rights which vary from state to state.

For warranty service, contact the dealer from whom you purchased the unit or an authorized Eurotech service agent. Service will be provided during normal business hours. Should you have a service problem that cannot be resolved locally, contact AM Appliance Group at the numbers listed below. Before calling for service or contacting AM Appliance Group regarding a warranty issue, find the data tag and make a note of the model, type name, and serial number (see page 4).

Write to us at:
AM Appliance Group
P. O. Box 851805
Richardson, Texas 75085-1805

Or call our
Customer Service Center at
800-898-1879 or 972-238-0794

INDEX

A			
Adjusting leveling legs	7		
B			
Buzzer, end-of-program	22, 24, 26		
C			
Cabinet, fastening unit to	8		
Cabinet opening dimensions	6		
Cancelling a program	21		
EDW242C	21		
EDW254E	22		
EDW274E	24, 26		
EDW294E	26		
Care and maintenance	27		
Child safety tips	3		
Cleaning			
door	27		
filters	27		
spray arms	27		
water inlet filter	28		
Common dishwashing problems	29		
Connecting an electrical cable	12		
Control panel			
EDW242C	21		
EDW254E	22		
EDW274E	23		
EDW294E	25		
Cosmetic damage	33		
Custom door panel, EDW294E	13, 14, 15		
Customer service center info	33		
Cutlery basket	17		
D			
Data tag	4		
Delay Start button			
EDW254E	22		
EDW274E	23		
EDW294E	25		
Detergent			
amount to use	18		
dispenser	18		
left in compartment	30		
type to use	18		
Dimensions, unit	4		
Dishwasher features	4		
Dishwashing problems	29		
Door, cleaning	27		
Door panels, fully-integrated	13		
Drain			
connections	10		
problems	31		
Drain hose	9		
Dry time			
EDW274E	23		
EDW294E	25		
E			
EDW242C operating instructions	21		
EDW254E operating instructions	22		
EDW274E operating instructions	23		
EDW294E custom door panel installation	13, 14, 15		
EDW294E operating instructions	25		
Electrical connections	11, 12		
Electrical cord and plug	9, 12		
End-of-program buzzer			
EDW254E	22		
EDW274E	24		
EDW294E	26		
Error messages	31		
F			
Fastening unit to cabinet	8		
Fault codes	31		
Feet	7		
Fill problems	31		
Filters, cleaning	27		
Fully-integrated door panels	13		
G			
Grounding instructions	11		
H			
Hard water advice	19		
Hard water spots, removing	30		
Heating element	9		
High loop	10		
I			
Indicator lights	25		
EDW242C	21		
EDW254E	22		
EDW274E	24		
EDW294E	25		
Inlet hose	9		
Installation instructions	5, 10, 12		
adjusting leveling legs	7		
connecting an electrical cable	12		
custom door panel, EDW294E	13		
drain connections	10		
easy connection	9		
electrical connection	11		
fastening dishwasher to cabinet	8		
grounding unit	11		
materials you will need	5		
moving machine into place	7		
testing for leaks	12		
toe kick	8		
tools you will need	5		
water supply	9		
L			
LCD window			
EDW254E	22		
EDW274E	23		
EDW294E	25		
Leaks, testing for	12		
Leveling legs, adjusting	7		
Loading the dishwasher	16, 17		
Lower basket	17		
M			
Moisture barrier	6, 14		
Moving unit into place	6, 7		

INDEX

N

No Prewash button	
EDW274E	23
EDW294E	25
Noises, unusual	30

O

On/Off button	
EDW242C	21
EDW254E	22
EDW274E	23
EDW294E	25
One-piece door panels (EDW294E)	13
Operating instructions	
EDW254E	21
EDW254E	22, 23
EDW274E	23, 24
EDW294E	26
Overfill protection	28

P

Panels, fully-integrated	13, 15
PEX inlet tubing	9
Placing the unit	7
Power	9
Power cord, connecting	12
Problems and solutions	29
Product warranty information	33
Program button	
EDW274E	23
EDW294E	25
EDW242C	21
EDW254E	22
Programs	
EDW242C	20
EDW254E	23
EDW274E	24
EDW294E	26

R

Rinse aid dispenser	20
Rinse aid indicator light	20

S

Safety instructions	3
Service	33
Solutions to common problems	29
Special items, washing	32
Spray arms, cleaning	27
Stains and discolorations	29
Start button	
EDW254E	22
EDW274E	24
EDW294E	25

T

Technical data	9
Toe kick, installing	8
Tools you will need	5
Top Load button	
EDW254E	22
EDW274E	23
EDW294E	25
Troubleshooting	30, 31
Type plate (also Data tag)	4

U

Unit dimensions	4
Unusual noises	30
Upper basket	16

W

Warranty information	33
Wash programs (see Programs)	20
Washing special items	32
Water flow volume	9
Water hardness	19
Water inlet filter, cleaning	28
Water pressure	9
Water supply	9
Wood door panel (EDW294E)	14, 15

