

GTWP1800D

GE® 3.6 DOE cu. ft. capacity Extra Action basket

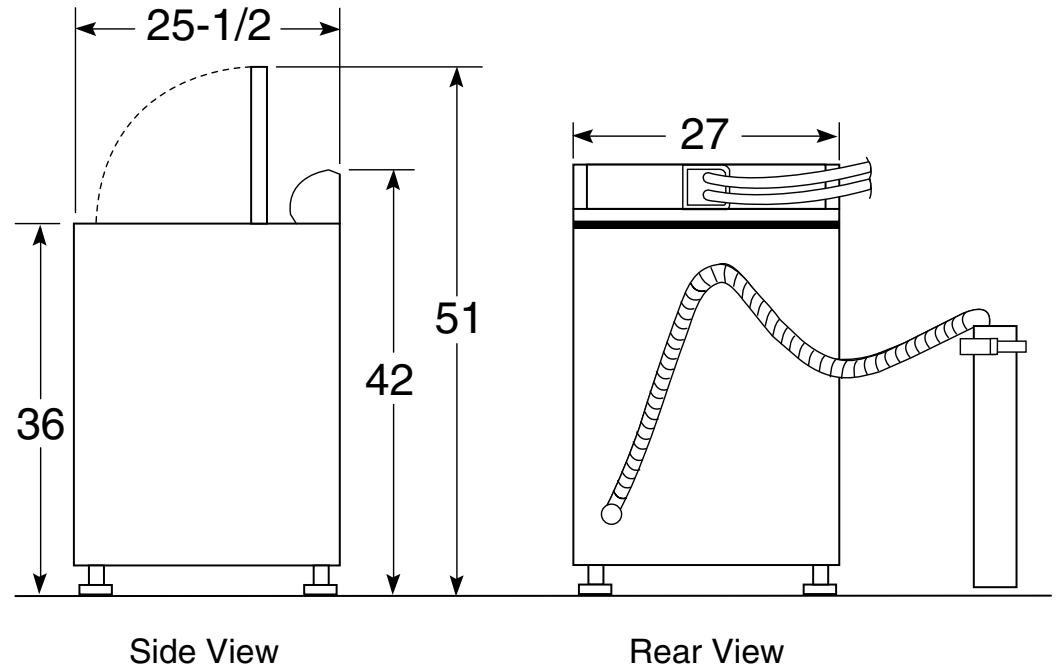
DIMENSIONS AND INSTALLATION INFORMATION (IN INCHES)

CIRCUIT REQUIREMENTS: An individual, properly-grounded branch circuit, with a three-prong grounding-type receptacle, protected by a 15 or 20 amp circuit breaker or a time-delay fuse, is required.

ELECTRICAL RATING: 115V, 60Hz, 10A

NOTE: Washer wall outlet must be located within 36" of service code entry. Wall outlet must not be located behind dryer.

Installation Information: Before installing, consult installation instructions packed with product for current dimensional data.



GE APPLIANCES

For answers to your Monogram,® GE Profile™ or GE® appliance questions, visit our website at geappliances.com or call GE Answer Center® service, 800.626.2000.



Listed by
Underwriters
Laboratories

Specification Revised 5/15

GTWP1800D

GE® 3.6 DOE cu. ft. capacity Extra Action basket

FEATURES AND BENEFITS

Dual-Action agitator provides gentle, dual-wash action

Extra Action ribbed basket removes more moisture than smooth baskets

Rotary electromechanical controls make it simple to set cycles

12 wash cycles handle various fabrics and soils

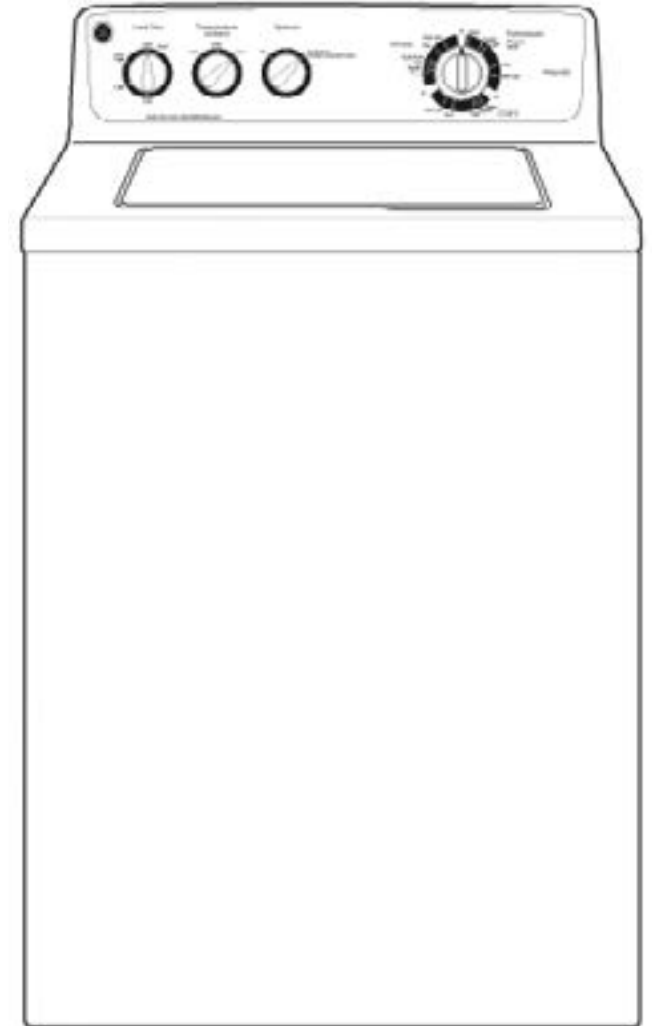
4 water levels – select water level based on load size

Bleach and fabric softener dispensers automatically operate with wash cycle

Power Rinse – Optional deep rinse ensures clothes are rinsed of soap residue and fabric softener

630-RPM spin speed – fast spin speeds remove water efficiently and minimize dry times

Model GTWP1800DWW – White on white



GE APPLIANCES