

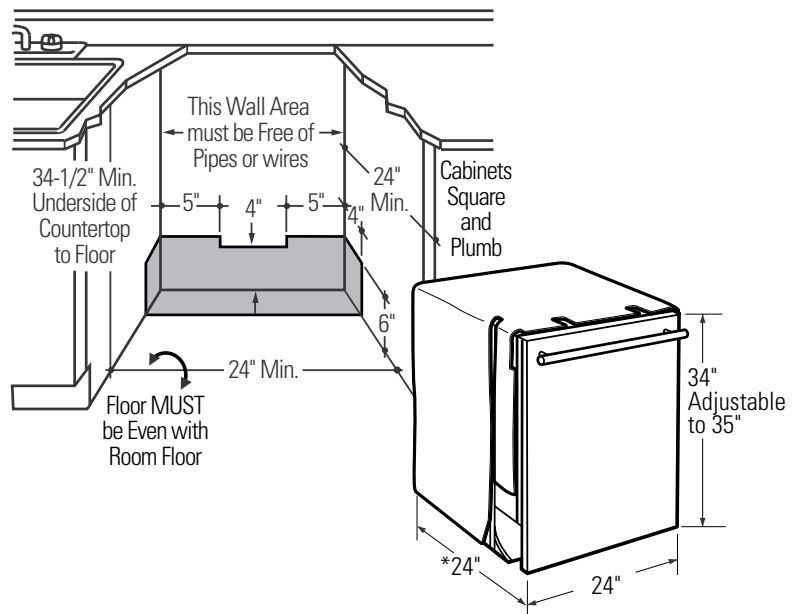
ZBD6880NSS/ZBD6800NWW/BB GE Monogram® Fully Integrated Built-In Dishwasher

Dimensions and Specifications (in inches)

- The dishwasher must be installed so that the drain hose is no more than 10 feet in length for proper drainage.
- Water and power supply should enter in the shaded area.
- Electrical and water connections are at the right front of the dishwasher. The hot water line should extend forward 30" to 40" from the rear wall. The electrical must extend forward at least 24" to reach the junction box.
- To prevent siphoning, an air gap must be used when the waste tee or disposer connection is less than 18" above the floor.

Electrical Requirements

The dishwasher must be supplied with 120V, 60Hz, and connected to an individual properly grounded branch circuit protected by a 15- or 20-amp circuit breaker or time-delay fuse.



For answers to your Monogram®, GE Profile™ or GE® appliance questions, visit our website at ge.com or call GE Answer Center® service, 800.626.2000.



imagination at work

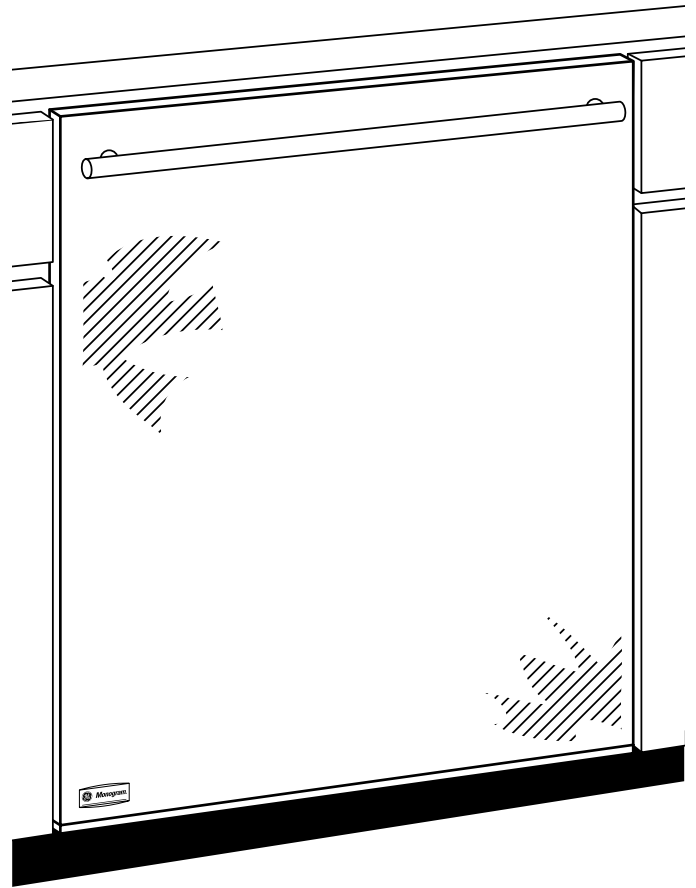


Listed by
Underwriters
Laboratories

ZBD6880NSS/ZBD6800NWW/BB GE Monogram® Fully Integrated Built-In Dishwasher

Features and Benefits

- Stainless Steel Interior
- Hidden, Integrated Top Controls
- Long Door Design
- Powerful Forced-air Drying System
- CleanSensor Technology
- Nylon Upper and Lower Racks
- NSF® Certified To Sanitize
- ENERGY STAR® Qualified
- Model ZBD6880NSS – Stainless steel
- Model ZBD6800NWW – White on white
- Model ZBD6800NBB – Black on black



imagination at work