



ing builders' lives easier • first choice of builders • 2003 product catalog • first choice of consumers • leading-edge e-commerce

# GE Profile™ and GE® Appliances

Contract Sales

imagination at work



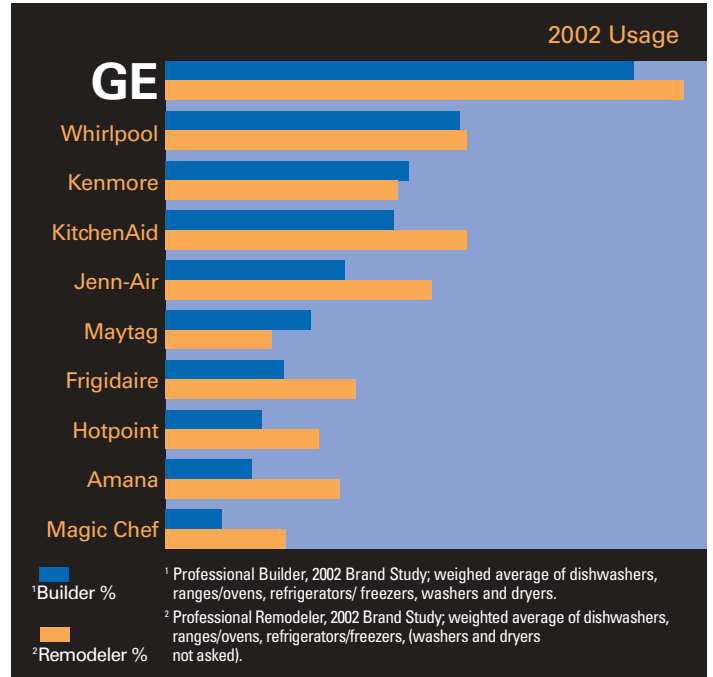
# Builders know and trust GE.

**For the seventh year in a row, GE has been named the first choice of builders and remodelers.**



According to a recent Professional Builder\* survey, GE is the leading source of appliances. This marks the seventh consecutive year GE Appliances was named the top choice of builders and remodelers across the country. The survey findings reflect our ongoing commitment to provide our customers with superior products and support. Today, GE continues to build on more than a century of innovation with Six Sigma, our companywide, customer-focused approach to quality. Each appliance is rigorously tested and retested, with the goal of near perfection. When you choose GE, you can count on us to go the extra mile to make your life easier.

\*Professional Builder Brand Use Study, 2002



## GE is the #1 choice of consumers, too!

GE is the appliance brand most often mentioned among the brands rated as offering the best products and services in America.

Source: Louis Harris Poll 2002



## Table of Contents

Product	Page	Specifications and Installation
<b>Refrigerators</b>		
Side-By-Side Refrigerators	8-21	160-165
Top-Freezer No-Frost Refrigerators	22-31	166-171
Cycle and Manual Defrost Refrigerators	31	172
Wine Cooler	31	173
Compact Refrigerators	31	173
Bottom-Freezer Refrigerators	32-35	174-175
Freezers	36-37	176
Refrigeration Trim Kits		177
<b>Built-In Cooking Products</b>		
Advantium™ Ovens	38-43	178-179
Trivection™ System	44-49	180-181
Wall Ovens	50-60	182-190
Warming Drawers	61	191
Cooktops	62-73	192-199
Slide-In/Drop-In Ranges	74-81	200-206
<b>Free-Standing Cooking Products</b>		
Electric Ranges	82-91	207-209
40" Electric Ranges	91	209
Gas Ranges	92-102	210-212
Ventilation Options	103-105	213-215
<b>Microwave Ovens</b>		
Over-The-Range	106-114	216-219
Wall Ovens	108	217
Countertop	115-116	220-221
Countertop Microwave Optional Oven Trim Kits	117	222
<b>Dishwashers</b>		
Built-In Dishwashers	118-126	223-226
Convertible Dishwashers	127	227
Undersink and 18" Built-In Dishwashers	128	227-228
Dishwasher Accessories		229
Disposers and Compactors	129	230
<b>Clothes Care</b>		
Washers and Dryers	130-137	231-233
Front-Loading Washers and Dryers	138-139	235
Dryer Exhausting and Installation Information		234, 236-237
Spacemaker® Washers and Dryers	140-141	238-239
Commercial Washers and Dryers	141-143	240-241
<b>Water Systems</b>		
Softening Systems	144-145	243
Filtration Systems	146-147	242-243
<b>Air Conditioning</b>		
Air Conditioning	148-149	
Vertical Packaged Terminal Air Conditioners	150	244
Zoneline®	151-152	245-246
Built-In "J" Series	153-154	247-248
Warranty Information	156-159	
Nomenclatures	249-251	



# GE makes builders' lives easier.

## GE gives you all the tools you need to manage and grow your business.

### GE CustomerNet

Easy, efficient way to do business.

**gecustomernet.com** The most comprehensive collection of business-to-business Internet tools developed by an appliance manufacturer.

- Several online ordering options, including direct web purchasing, electronic transfer of your purchase orders and industry-exclusive package ordering.
- Instant access to invoices, proof-of-delivery forms, purchase histories and more.
- Quick, easy parts ordering and service scheduling.
- Brochure development and customization.
- Wireless palmtop and cellular phone functions.



### GE Selection Center

It's profitable. It's easy. It's efficient.

**geselectioncenter.com** Interactive Web site customized to help you provide a better buying experience for your home buyer. Both a valuable resource and virtual showroom, this site is the easiest way to sell options and upgrades and improve profitability.

### GE Appliances Web Site

Consumer product information.

**GEAppliances.com** Award-winning Web site offers abundant information and interactive capabilities, so you can find everything you need faster than ever before! Search by brand, category or model number.



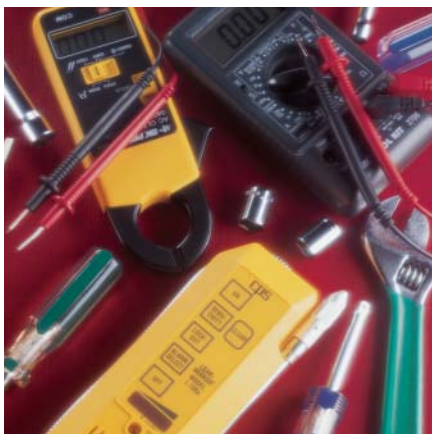
**Get all the information you need with a simple phone call or press of a button.**



**GE Answer Center®**

Saves you time.

**800.626.2000** This 24-hour-a-day, 7-day-a-week service provides answers on product features, installation procedures, service and more.



**Consumer Service**

Peace of mind, everywhere.

**800.GE.CARES** GE is the only appliance manufacturer with factory-employed service technicians (1300 nationwide). GE also has 8000 authorized Customer Care service centers across the country.



**Quick Specs**

Project planning made simple.

**800.432.3729** Product features and dimensions are faxed to you FREE, wherever and whenever you need them.



**Productivity Solutions**

Anytime access.

- Intelligent character recognition gives you a faster, easier way to place fax orders.
- Intelligent voice recognition allows you to check pricing and view account information—24 hours a day, 7 days a week.



**Distribution Services**

Ontime delivery you can count on.

Our nationwide distribution system takes a sophisticated, computer-based approach to managing availability and delivery. From full-line distribution centers, we ship to customers and Authorized Builder Distributors or to more than 100 Scheduled Delivery Service sites for local delivery.



**GE Sales Professionals and Authorized Distributors**

Dedicated team, determined focus.

Our sales force and services have been expanded and enhanced to better focus on you, our Home Products and Services customer. We give you more choices than ever—and more ways to sharpen your competitive edge.

# Appliances that make your kitchens stand out.

**Now, more than ever,  
GE Profile™ leads the  
way in dramatic style  
and innovation.**

Today's consumers want more sophistication, not just in terms of style, but also in terms of technology. Innovatively designed inside and out, new GE Profile appliances represent the ultimate in sophistication. Bold curves and clean lines make a dramatic statement, while award-winning technology saves time. And special appliance touches like sculptured handles tie everything together beautifully. This combination of high style and performance makes GE Profile appliances the perfect choice for all your kitchens.

## Dramatic Curves.



## Sophisticated Styling.





Award-Winning Design and Technology.

# The Ultimate in Refrigeration.™

GE Profile Arctica™ refrigerators bring a breath of fresh air to your kitchen and your life. The stylish exterior makes a dramatic statement, and the multilevel interior makes versatile use of every inch of storage space. In the fresh food compartment, slide-out shelves simplify loading and unloading. In the freezer compartment, the ice system is uniquely designed to allow more room for more food. In addition to innovative storage features, both compartments offer a range of cooling capabilities for the ultimate in flexibility and performance.



## CustomCool™ technology

Exclusive CustomCool technology gives you the ability to chill and thaw much faster than ever before possible. It also lets you select just-right temperatures for a variety of fresh foods.



## ClimateKeeper™ system

Exclusive ClimateKeeper system helps preserve refrigerator contents by providing consistent cooling.



## Contoured style

Arctica's clean contours and lines are perfectly compatible with any kitchen setting.



## Integrated Ice™ system

The icemaker and ice bucket are integrated in the freezer cabinet, not the freezer door, to free up valuable storage space. The bucket pulls out and down, providing easy access to cubed ice.







*GE Profile Arctica refrigerators offer exclusive cooling capabilities, dramatic styling and flexible features.*

Refrigeration

Cooking Products

Microwave Ovens

Dishwashers

Clothes Care

Water Systems

Air Conditioning

# GE Profile Arctica™ Side-By-Side Refrigerators

## Specialized settings let you customize cooling for a variety of foods.

GE Profile Arctica side-by-side refrigerators include a number of high-performance capabilities. Perhaps the most notable is our exclusive CustomCool™ technology. A fresh take on cooling, this bottom pan feature offers three settings for different lifestyle needs:

**ExpressChill™** setting chills foods and beverages in minutes, not hours.

**ExpressThaw™** setting thaws meats and other freezer items in hours, not days.

**SelectTemp™** setting allows you to select just-right temperatures for specific foods.

Using these specialized settings, you are able to avoid the last-minute rush and simply relax. Whether the occasion calls for impromptu hors d'oeuvres for 20 or filet mignon for two, CustomCool takes care of everything.



It chills!



It thaws!



It preserves!



It fully extends!



*Multiple storage levels and options mean increased flexibility and convenience.*



# GE Profile Arctica Side-By-Side Models featuring CustomCool™ technology

**These models include** • Contoured doors • ClimateKeeper™ system • TurboCool™ setting • Upfront electronic touch temperature controls • Digital temperature display • CustomCool technology with full-extension drawer • FrostGuard™ technology • In-the-door can rack • Integrated Ice™ system • SmartWater™ Plus filtration system • Quick Ice™ feature • Water filter indicator light • LightTouch! tall dispenser with child lock and door alarm • Premium quiet design • Integrated shelf support system • QuickSpace™ shelf • Two slide-out, spillproof glass shelves • ClearLook™ adjustable door bins • Gallon door storage • Slide 'n Store™ full-extension freezer baskets • Tilt-out wire freezer door bins • Contoured Profile handles • Tri-level lighting • NeverClean™ condenser **Note: bold = feature upgrade from previous model**



Refreshment center provides easy access to frequently used items.



**ONLY GE HAS IT!**

ClimateKeeper system combines a multifold air system, electronic sensors and electronic touch controls to keep temperatures consistent and help preserve refrigerator contents.



**ONLY GE HAS IT!**

Tall LightTouch! dispenser fills sport bottles, pitchers, even blenders! Delivers chilled filtered water, crushed or cubed ice.



## GE Profile™ Refreshment Center and Dispenser Models

### PSS26NHP

- 25.5 cu. ft. capacity

### PSS29NHP (not shown)

- 28.7 cu. ft. capacity

### PSS26SHP Stainless steel (not shown)

- 25.5 cu. ft. capacity • Sculptured Stainless-look handles and black dispenser



As an ENERGY STAR® partner, GE has determined that this product meets the ENERGY STAR® guidelines for energy efficiency.

(Models PSS26SHP and PSS26NHP meet 2004 ENERGY STAR qualifications and exceed ENERGY STAR standards by more than 15%)

Not all features available on all models. For additional features, specifications and color availability, refer to page 160.

# GE Profile Arctica™ Side-By-Side Models featuring CustomCool™ technology

**These models include** • CustomCool technology with full extension drawer • ClimateKeeper™ system • TurboCool™ setting • Upfront electronic touch temperature controls • **Digital temperature display** • FrostGuard™ technology • In-the-door beverage rack • Integrated Ice™ system • Premium quiet design • Integrated shelf support system • QuickSpace™ shelf • Two slide-out, spillproof glass shelves • ClearLook™ adjustable door bins • Gallon door storage • **Slide 'n Store™ full-extension freezer baskets** • Tilt-out wire freezer door bins • Contoured doors • **Tri-level lighting** • NeverClean™ condenser

**Dispenser models include** • SmartWater™ Plus filtration system • Quick Ice™ feature • Water filter indicator light • LightTouch! tall dispenser with child lock and door alarm

**Note: bold = feature upgrade from previous model**



**ONLY GE HAS IT!**

CustomCool technology chills food and beverages in minutes (not hours), thaws frozen food in hours (not days) and allows you to select just-right temperatures for fruits and vegetables.



**ONLY GE HAS IT!**

ClimateKeeper system combines a multiframe air system, electronic sensors and electronic touch controls to keep temperatures consistent and help preserve refrigerator contents.



**ONLY GE HAS IT!**

Slide 'n Store freezer basket provides convenient storage for taller items, like pizza boxes.



Beverage rack is conveniently located inside the refrigerator door to increase flexibility.



## GE Profile Dispenser Model

### PSW26SGP Stainless steel

• 25.5 cu. ft. capacity • **Stainless-wrapped exterior** • Sculptured Stainless-look handles and black dispenser



As an ENERGY STAR® partner, GE has determined that this product meets the ENERGY STAR® guidelines for energy efficiency.

(Model PSW26SGP meets 2004 ENERGY STAR qualifications and exceeds ENERGY STAR standards by more than 15%)



## GE Profile Dispenser Models

### PSS26SGP Stainless steel

• 25.5 cu. ft. capacity • Sculptured Stainless-look handles and black dispenser

### PSS27SGP (not shown)

• 26.5 cu. ft. capacity • Sculptured Stainless-look handles and black dispenser

### PSS26NGP (not shown)

• 25.5 cu. ft. capacity • Contoured Profile handles

### PSF26NGP High-gloss finish (not shown)

• 25.5 cu. ft. capacity • Contoured Profile handles

### PSS27NGP (not shown)

• 26.5 cu. ft. capacity • Contoured Profile handles

### PSS29NGP (not shown)

• 28.6 cu. ft. capacity • Contoured Profile handles



As an ENERGY STAR® partner, GE has determined that this product meets the ENERGY STAR® guidelines for energy efficiency.

(Models PSF26NGP, PSS26SGP and PSS26NGP meet 2004 ENERGY STAR qualifications and exceed ENERGY STAR standards by more than 15%)

Not all features available on all models. For additional features, specifications and color availability, refer to page 160.



# GE Profile Arctica Side-By-Side Model

**This model includes** • Contoured doors • **ClimateKeeper system** • TurboCool setting • Upfront electronic touch temperature controls • FrostGuard technology • **In-the-door beverage rack** • Integrated Ice system • SmartWater Plus filtration system • **Quick Ice feature** • Water filter indicator light • LightTouch! tall dispenser with child lock and door alarm • Premium quiet design • Integrated shelf support system • QuickSpace shelf • Two slide-out, spillproof glass shelves • ClearLook adjustable door bins • Gallon door storage • **Wire slide-out freezer baskets** • **Tilt-out wire freezer door bins** • **Contoured Profile handles** • Dual-level lighting • NeverClean condenser

Note: bold = feature upgrade from previous model



Quick Ice feature provides up to 50% more ice than normal settings for parties and social gatherings.

**ONLY GE HAS IT!**



Tall LightTouch! dispenser fills sport bottles, pitchers, even blenders! Delivers chilled filtered water, crushed or cubed ice.



Premium quiet design—GE's most advanced sound control system.



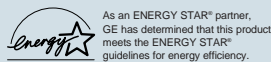
TurboCool™ setting helps the refrigerator quickly restore the temperature when groceries or heated foods are placed inside.



## GE Profile Dispenser Model

### PSS26MGP

• 25.5 cu. ft. capacity



As an ENERGY STAR® partner, GE has determined that this product meets the ENERGY STAR® guidelines for energy efficiency.

(Model PSS26MGP meets 2004 ENERGY STAR qualifications and exceeds ENERGY STAR standards by more than 15%)

Not all features available on all models. For additional features, specifications and color availability, refer to page 160.

# GE Profile Arctica CustomStyle™ Side-By-Side Refrigerators

## Installed trim Side-by-side models

**Designed for today's  
discriminating consumers.**

CustomStyle refrigerators with installed trim accept stainless steel or acrylic panels in white, black or bisque, all of which can be ordered from GE. To achieve a custom look, you can order wood panels from your cabinetmaker. You'll discover all kinds of ways to enhance your kitchen.



### Optional Panels

Choose stainless steel panels or acrylic panels in white, bisque or black.

### Custom Wood Panels

Make and install your own custom wood panels to accent cabinetry.

## Dispenser Models



### PSI23NGP\*

Shown with optional black acrylic panels. Available in white, bisque or black.



### PSI23NGP\*

Shown with custom wood panels. Available in white, bisque or black.



### PSI23MGP

Shown with optional white acrylic panels. Available in white, bisque or black.



### PSI23MGP

Shown with custom wood panels. Available in white, bisque or black.



*Others extend  
up to 33"  
from wall*

33"



*GE Profile  
CustomStyle  
extends 26-3/4"  
from wall*

26-3/4"  
saves  
over  
6"



### PSI23NCP

Shown with optional white acrylic panels. Available in white, bisque or black.



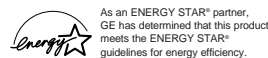
### PSI23NCP

Shown with custom wood panels. Available in white, bisque, or black.

### Optional collar trim: adding the final touch.

The optional collar trim is just another way GE lets you integrate our CustomStyle refrigerators into your kitchen decor. Available in stainless steel, white, bisque and black, this trim frames the refrigerator facade, adding to the finished look of a built-in, custom kitchen.

Collar trim: TRMBISSS, TRMBISWWW, TRMBISCC, TRMBISBB.



As an ENERGY STAR® partner, GE has determined that this product meets the ENERGY STAR® guidelines for energy efficiency.

\*ENERGY STAR® models PSH23NGP and PSH23SGP also available.

### Side-By-Side Refrigerators

Because they install nearly flush with the cabinets, these refrigerators save floor space. They don't stick out into the kitchen!





Trimless  
Side-by-side models

**Installation made easy, simply slide in.**

The trimless CustomStyle units install by simply sliding into—way into—the space between cabinets. CustomStyle refrigerators, because they align with counters, instantly look built-in, and there’s nothing to attach or build. (Available in stainless steel, white, bisque and black.)

Dispenser Models



**PSC23SHP**  
Stainless steel with sculptured stainless-look handles.



**PSC23NHP**  
Available in white, bisque or black.



**PSC23SGP**  
Stainless steel with sculptured stainless-look handles.



**PSC23NGP**  
Available in white, bisque or black.



**PSI23SGP\***  
Stainless steel with full-length stainless handles.

Dispenser Model



**PSC23MGP**  
Available in white, bisque or black.

Non-Dispenser Model



**PSI23SCP**  
Stainless steel with full-length stainless handles.

# GE Profile Arctica CustomStyle™ Side-By-Side Models featuring CustomCool™ technology

**These models include** • CustomCool technology • ClimateKeeper™ system • TurboCool™ setting • Upfront electronic touch temperature controls • Digital temperature display • FrostGuard™ technology • In-the-door beverage rack • Integrated Ice™ system • Premium quiet design • Integrated shelf support system • QuickSpace™ shelf • Two slide-out, spillproof glass shelves • ClearLook™ adjustable door bins • Gallon door storage • Slide 'n Store™ full-extension freezer baskets • Tilt-out wire freezer door bins • Tri-level lighting • NeverClean™ condenser

**Dispenser models include** • SmartWater™ Plus filtration system • Quick Ice™ feature • Water filter indicator light • LightTouch! dispenser with child lock and door alarm

Note: bold = feature upgrade from previous model



**ONLY GE HAS IT!**

ClimateKeeper system combines a multiflow air system, electronic sensors and electronic touch controls to keep temperatures consistent and help preserve refrigerator contents.



**ONLY GE HAS IT!**

The ExpressThaw™ setting in the exclusive CustomCool bin safely thaws meats and other freezer items in hours, not days!



Refreshment center provides easy access to frequently used items.



**ONLY GE HAS IT!**

Slide 'n Store freezer basket provides convenient storage for taller items, like pizza boxes.



**PSI23NGPWW**  
Shown with optional white acrylic panels.

## GE Profile™

### Trimless Refreshment Center Dispenser Models

#### **PSC23SHP** Stainless steel

• 22.7 cu. ft. capacity • Trimless rounded doors, sculptured Stainless-look handles and black dispenser

#### **PSC23NHP** (not shown)

• 22.7 cu. ft. capacity • Trimless rounded doors and color-matched contoured Profile handles and dispenser

### Trimless Dispenser Models

#### **PSC23NGP** (not shown)

• 22.6 cu. ft. capacity • Trimless rounded doors and color-matched contoured Profile handles and dispenser

#### **PSC23SGP** Stainless steel (not shown)

• 22.6 cu. ft. capacity • Trimless rounded doors, sculptured stainless-look handles and black dispenser

## GE Profile

### Installed Trim Dispenser Models

#### **PSI23NGP**

• 22.6 cu. ft. capacity • Squared doors • Full-length color-matched handles

#### **PSH23NGP** (not shown)

• 22.6 cu. ft. capacity • Squared doors • Full-length color-matched handles

### Trimless Dispenser Models

#### **PSI23SGP** Stainless steel (not shown)

• 22.6 cu. ft. capacity • Squared doors, full-length handles with stainless steel appearance and black dispenser

#### **PSH23SGP** (not shown)

• 22.6 cu. ft. capacity • Squared doors, full-length handles with stainless steel appearance and black dispenser

### Installed Trim Non-Dispenser Model

#### **PSI23NCP** (not shown)

• 22.6 cu. ft. capacity • Squared doors • Full-length color-matched handles

### Trimless Non-Dispenser Model

#### **PSI23SCP** Stainless steel (not shown)

• 22.6 cu. ft. capacity • Squared doors, full-length handles with stainless steel appearance



As an ENERGY STAR® partner, GE has determined that this product meets the ENERGY STAR® guidelines for energy efficiency.

(Models PSH23NGP and PSH23SGP)

Not all features available on all models.  
For additional features, specifications and color availability, refer to page 161.



# GE Profile Arctica CustomStyle™ Side-By-Side Models

**These models include** • ClimateKeeper™ system • TurboCool™ setting • Upfront electronic touch temperature controls • FrostGuard™ technology • **In-the-door beverage rack** • Integrated Ice™ system • SmartWater™ Plus filtration system • **Quick Ice™ feature** • Water filter indicator light • LightTouch! dispenser with child lock and door alarm • **Premium quiet design** • Integrated shelf support system • QuickSpace™ shelf • Two slide-out, spillproof glass shelves • ClearLook™ adjustable door bins • Gallon door storage • **Wire slide-out freezer baskets** • **Tilt-out wire freezer door bins** • Dual-level lighting • NeverClean™ condenser Note bold = feature upgrade from previous model

**ONLY GE HAS IT!**



ClimateKeeper system combines a multifold air system, electronic sensors and electronic touch controls to keep temperatures consistent and help preserve refrigerator contents.



TurboCool setting helps the refrigerator quickly restore the temperature when groceries or heated foods are placed inside.



Upfront electronic touch temperature controls are easy to see and set.

**ONLY GE HAS IT!**



FrostGuard technology reduces freezer burn by monitoring door openings and usage, defrosting only as needed.



## GE Profile Trimless Dispenser Model PSC23MGP

• 22.7 cu. ft. capacity • Trimless rounded doors and color-matched contoured Profile handles and dispenser



## GE Profile Installed Trim Dispenser Model PSI23MGP

• 22.7 cu. ft. capacity • Squared doors, full-length color-matched handles



**PSI23MGPCC**  
Shown with custom wood panels.\*  
\*Wood panels not supplied by General Electric.

**PSI23MGPWW**  
Shown with optional white acrylic panels.

Not all features available on all models.  
For additional features, specifications and color availability, refer to page 161.

# GE® Side-By-Side “L” Series Models: 25 cu. ft.

**These models include** • Upfront electronic touch temperature controls • FrostGuard™ technology • **TurboCool™ setting** • SmartWater™ Plus filtration system • **LightTouch!™ tall dispenser with child lock and door alarm** • **Integrated Ice™ system** • Water filter indicator light • **Integrated shelf support system** • **QuickSpace™ shelf** • Two adjustable slide-out, spillproof glass shelves • Snack pan • Adjustable humidity vegetable/fruit crisper • **ClearLook™ adjustable door bins** • Gallon door storage • **Three wire slide-out freezer baskets** • Deluxe quiet design • Dual-Level lighting • NeverClean™ condenser

**Note: bold = feature upgrade from previous model**



TurboCool setting helps the refrigerator quickly restore the temperature when groceries or heated foods are placed inside.



Upfront electronic touch temperature controls are easy to see and set.



QuickSpace shelf slides back easily for tall items, maximizing storage space.



Fresh-food gallon door storage provides maximum storage flexibility.

Not all features available on all models. For additional features, specifications and color availability, refer to page 164.



## GE Dispenser Models

**GSS25LSQ Stainless steel** (not shown)

- 24.5 cu. ft. capacity
- Stainless steel handles and black dispenser

**GSS25LGP**

- 24.5 cu. ft. capacity



As an ENERGY STAR® partner, GE has determined that this product meets the ENERGY STAR® guidelines for energy efficiency.

(Models GSS25LGP and GSS25LSQ meet 2004 ENERGY STAR qualifications and exceed ENERGY STAR standards by more than 15%)



# GE Side-By-Side "K" Series Models: 25 to 22 cu. ft.

**These models include** • Upfront electronic touch temperature controls • FrostGuard technology • SmartWater Plus filtration system • **LightTouch!** tall dispenser with child lock • Water filter indicator light • Three adjustable slide-out, spillproof glass shelves • **Snack pan** • **Adjustable humidity vegetable/fruit crisper** • Adjustable temperature deli pan • Adjustable gallon door storage • Four wire freezer shelves, three adjustable • **One wire slide-out freezer basket** • Deluxe quiet design • **Dual-level lighting** • NeverClean condenser • Stainless steel handles and black dispenser trim **Note: bold = feature upgrade from previous model**



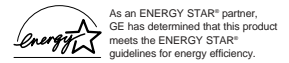
Convenient upfront electronic temperature controls are easy to see and set.



Fresh food gallon door storage provides maximum storage flexibility.



**GE Dispenser Models**  
**GSS25SGP** Stainless steel  
 • 24.9 cu. ft. capacity  
**GSH25SGP** Stainless steel (not shown)  
 • 24.9 cu. ft. capacity  
**GSS22SGP** Stainless steel (not shown)  
 • 21.9 cu. ft. capacity  
**GSH22SGP** Stainless steel (not shown)  
 • 21.9 cu. ft. capacity



(Models GSH25SGP and GSH22SGP)



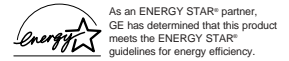
SmartWater Plus filtration system provides clean, better-tasting water and ice through the LightTouch! dispenser. (1 year/500 gallons)



FrostGuard technology reduces freezer burn by monitoring door openings and usage, defrosting only as needed.



**GE Dispenser Models**  
**GSH25KGP**  
 • 24.9 cu. ft. capacity  
**GSH22KGP** (not shown)  
 • 21.9 cu. ft. capacity



(Models GSH25KGP and GSH22KGP)

Not all features available on all models. For additional features, specifications and color availability, refer to page 164.

## GE® Side-By-Side “W” Exclusive Builder Series Models: 25 to 22 cu. ft.

**These models include** • Upfront electronic touch temperature controls • FrostGuard technology • **SmartWater Plus** filtration system • LightTouch! tall dispenser • **Water filter indicator light** • **Three adjustable slide-out, spillproof glass shelves** • Adjustable temperature deli pan • Adjustable humidity vegetable/fruit crisper • Gallon door storage • **Adjustable humidity snack pan** • **One wire slide-out freezer basket** • Deluxe quiet design • **Premium handles** • **Dual-level lighting** • NeverClean condenser • **In the door can rack**

Note: bold = feature upgrade from previous model



Slide-out, spillproof shelves help contain spills for ease of cleaning.



FrostGuard technology reduces freezer burn by monitoring door openings and usage, defrosting only as needed.



GE  
Dispenser Models  
**GSL25WGP CleanSteel™**  
• 24.9 cu. ft. capacity  
• Stainless appearance  
**GSL22WGP CleanSteel™**  
(not shown)  
• 21.9 cu. ft. capacity  
• Stainless appearance  
**GSS25WGP** (not shown)  
• 24.9 cu. ft. capacity  
**GSS22WGP** (not shown)  
• 21.9 cu. ft. capacity

## GE Side-By-Side “J” Series Models: 25 to 22 cu. ft.

**These models include** • Upfront electronic temperature controls • FrostGuard technology • LightTouch! tall dispenser • **Three adjustable spillproof glass shelves** • Sealed crisper • **Adjustable temperature deli pan** • Adjustable gallon door storage • Deluxe quiet design • Single-level lighting • NeverClean condenser

Note: bold = feature upgrade from previous model



Spillproof shelves help contain spills for ease of cleaning.



GE  
Dispenser Models  
**GSS25JEP**  
• 24.9 cu. ft. capacity  
**GSS22JEP** (not shown)  
• 21.9 cu. ft. capacity

Not all features available on all models.  
For additional features, specifications and color availability, refer to pages 164-165.

## GE Side-By-Side “I” Series Models: 25 to 20 cu. ft.

**These models include** • Upfront electronic temperature controls • FrostGuard™ technology • **Three adjustable glass shelves** • Sealed crisper • Gallon storage door bins • Deluxe quiet design • NeverClean™ condenser

**Note: bold = feature upgrade from previous model**



Fresh food gallon door storage provides maximum storage flexibility.



Deluxe quiet design—quiet components and insulation allow for quiet operation.



### GE

#### Dispenser Models

##### **GSS25IFP**

- **24.9 cu. ft. capacity**
- SmartWater filtration system
- LightTouch! tall dispenser

##### **GSS22IFP** (not shown)

- 21.9 cu. ft. capacity
- **SmartWater filtration system**
- LightTouch! tall dispenser

##### **GSS20IEP** (not shown)

- 19.9 cu. ft. capacity
- **LightTouch! tall dispenser**

#### Non-Dispenser Models

##### **GSS22IBP** (not shown)

- **21.8 cu. ft. capacity**
- Two adjustable fresh food door bins
- Sealed deli pan • Equipped for optional electronic icemaker

##### **GSS20IBP** (not shown)

- 19.8 cu. ft. capacity
- Sealed deli pan
- Equipped for optional electronic icemaker

## GE Side-By-Side “D” Series Model: 20 cu. ft.

**This model includes** • Upfront electronic temperature controls • FrostGuard technology • Three wire fresh food shelves • Equipped for optional electronic icemaker • Sealed crisper • Sealed deli pan • Four fresh food door bins, two with gallon storage • Four wire freezer shelves, three adjustable • Deluxe quiet design • NeverClean condenser

**Note: bold = feature upgrade from previous model**



Upfront electronic temperature controls—a simply knob turn regulates interior temperatures.



Gallon door storage accommodates gallon containers for quick access to most-used items.



### GE

#### Non-Dispenser Model

##### **GSS20DBP**

- 19.8 cu. ft. capacity

Not all features available on all models. For additional features, specifications and color availability, refer to page 165.



# GE Profile Arctica™ Top-Freezer Refrigerators

## Top Performance.

Elegant curvaceous design graces Arctica top-freezer refrigerators, which are distinguished by radius doors and rounded storage bins.

Arctica's performance is even more dramatic.

The innovative ClimateKeeper™ system adapts to levels of activity and location, keeping the temperature on an even keel.

Arctica top-freezers not only provide precise temperature management, but they also offer optimal ease and accessibility.

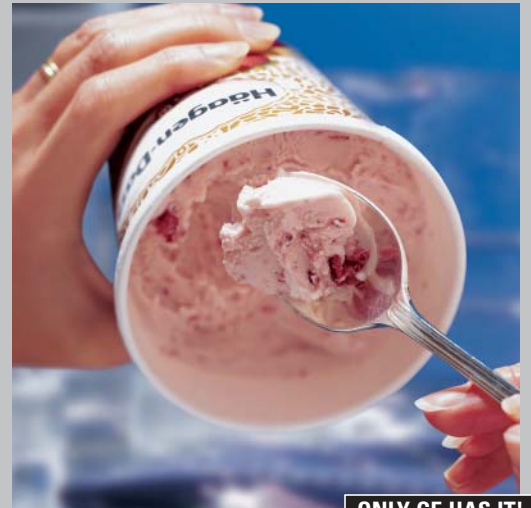
Adjustable storage bins put all contents within convenient reach, while the dual fresh food lighting system and freezer dome light let you fully satisfy your midnight cravings.



**ONLY GE HAS IT!**

### Rapid recovery

Exclusive ClimateKeeper system quickly recovers from such variables as frequent door openings and changes in external temperature.



**ONLY GE HAS IT!**

### Freezer innovation

Exclusive FrostGuard™ technology reduces freezer burn.



*Stunningly styled inside and out, the GE Profile Arctica top-freezer refrigerators give you a brand-new way to enhance your kitchen.*

# GE Profile Arctica Top-Freezer Models: 25 to 22 cu. ft.

**These models include** • Upfront electronic digital temperature display • GE SmartWater filtration • Factory-installed electronic icemaker • **ClimateKeeper system** • FrostGuard technology • Premium quiet design • ShelfSaver™ rack • Lift-off, slide-out, spillproof glass shelves, four adjustable/split • Two adjustable humidity vegetable/fruit crispers • **Adjustable temperature deli pan** • Pivot-out pan removal system • One full-width, fixed tall bottle door bin • **ClearLook™ adjustable gallon door bins** • Spillproof freezer floor • **Tilt-out locking freezer door bin** • Dual-level lighting • NeverClean™ condenser **Note: bold = feature upgrade from previous model**



Internal water dispenser lets you enjoy the fresh taste of clean, filtered water from inside the refrigerator.



Convenient, upfront electronic touch temperature controls are extremely accurate, easy to see and easy to set.

**ONLY GE HAS IT!**



Pivot-out pan removal system makes cleaning crispers easier than ever.



ShelfSaver™ beverage rack provides convenient storage for a 12-pack, two egg cartons or a 9" x 13" casserole dish.



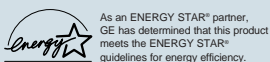
## GE Profile™

### Water Dispenser Models

- PTS25SHP** Stainless steel (not shown)
  - 24.6 cu. ft. capacity
- PTS22SHP** Stainless steel (not shown)
  - 21.7 cu. ft. capacity
- PTS25LHP**
  - 24.6 cu. ft. capacity
- PTS22LHP** (not shown)
  - 21.7 cu. ft. capacity

### Non-Dispenser Models

- PTS22SCP** Stainless steel (not shown)
  - 21.7 cu. ft. capacity
- PTS22LCP** (not shown)
  - 21.7 cu. ft. capacity



As an ENERGY STAR® partner, GE has determined that this product meets the ENERGY STAR® guidelines for energy efficiency.

(Models PTS25SHP, PTS22SHP, PTS22SCP, PTS25LHP, PTS22LHP and PTS22LCP)

Not all features available on all models. For additional features, specifications and color availability, refer to page 166.

# GE Profile CustomStyle™ Top-Freezer Refrigerators

## Installed trim Top-freezer models

**Designed for today's  
discriminating consumers.**

CustomStyle refrigerators with installed trim accept stainless steel or acrylic panels in white or black, all of which can be ordered from GE. To achieve a custom look, you can order wood panels from your cabinetmaker. You'll discover all kinds of ways to enhance your kitchen.



### **Optional Panels**

Choose stainless steel panels or acrylic panels in white or black.

### **Custom Wood Panels**

Make and install your own custom wood panels to accent cabinetry.

## Dispenser Models



**PTI22SFM**  
Shown with installed stainless steel panels.



**PTI22MFM**  
Shown with optional white acrylic panels. Available in white or black.



**PTI22MFM**  
Shown with optional stainless steel panels. Available in white or black.



**PTI22MFM**  
Shown with custom wood panels. Available in white or black.

## Non-Dispenser Models



**PTI22MBM**  
Shown with optional black acrylic panels. Available in white or black.



**PTI22MBM**  
Shown with optional stainless steel panels. Available in white or black.



**PTI22MBM**  
Shown with custom wood panels. Available in white or black.

### **Optional collar trim: adding the final touch.**

The optional collar trim is just another way GE lets you integrate our CustomStyle refrigerators into your kitchen decor. Available in stainless steel, white and black, this trim frames the refrigerator facade, adding to the finished look of a built-in, custom kitchen. Collar trim: TRMBISS, TRMBISWW, TRMBISBB.



### **Top-Freezer Refrigerators**

Because they install nearly flush with the cabinets, these refrigerators save floor space. They don't stick out into the kitchen!





Trimless  
Top-freezer models

**Installation made easy, simply slide in.**

The trimless CustomStyle units install by simply sliding into—way into—the space between cabinets. CustomStyle refrigerators, because they align with counters, instantly look built-in, and there’s nothing to attach or build. (Available in stainless steel, white, bisque and black.)

Dispenser Models



**PTC22SFM**  
Stainless steel.



**PTC22MFM**  
Available in white, bisque or black.

Non-Dispenser Models



**PTC22SBM**  
Stainless steel.



**PTC22MBM**  
Available in white or black.

# GE Profile CustomStyle™ Top-Freezer Models: 22 cu. ft.

**These models include** • Upfront illuminated temperature controls • Beverage rack • QuickSpace™ shelf • Adjustable slide-out, spillproof glass shelves • Two adjustable humidity vegetable/fruit crispers • Slide-out, spillproof crisper cover • ClearLook™ gallon door bins • Adjustable temperature meat pan • Dairy compartment • Upfront fresh food lighting • Deluxe quiet design • NeverClean™ condenser

**Dispenser models include** • LightTouch! dispenser delivers cubes, crushed ice and chilled water • SmartWater™ filtration system

Note: bold = feature upgrade from previous model



SmartWater filtration system provides clean, better-tasting water and ice through the LightTouch! dispenser. (6 months/300 gallons)



QuickSpace shelf slides back to store tall items.



ClearLook adjustable door bins store gallon containers with ease.



LightTouch! dispenser delivers cubes, crushed ice and chilled water.

Not all features available on all models. For additional features, specifications and color availability, refer to page 167.



## GE Profile™

### Trimless Dispenser Models

#### **PTC22SFM Stainless steel**

• 21.7 cu. ft. capacity • Trimless rounded doors, black contoured Profile handles and black dispenser

#### **PTC22MFM (not shown)**

• 21.7 cu. ft. capacity • Trimless rounded doors and contoured Profile handles

### Trimless Non-Dispenser Models

#### **PTC22SBM Stainless steel (not shown)**

• 21.9 cu. ft. capacity • Trimless rounded doors, black contoured Profile handles • Equipped for optional electronic icemaker

#### **PTC22MBM (not shown)**

• 21.9 cu. ft. capacity • Trimless rounded doors and contoured Profile handles • Equipped for optional electronic icemaker



As an ENERGY STAR® partner, GE has determined that this product meets the ENERGY STAR® guidelines for energy efficiency.

(Models PTC22SFM and PTC22MFM)



## GE Profile

### Installed Trim Dispenser Models

#### **PTI22SFM Stainless steel**

• 21.7 cu. ft. capacity • Factory-installed stainless steel panels, trim, full-length handles and black dispenser

#### **PTI22MFM (not shown)**

• 21.7 cu. ft. capacity

### Installed Trim Non-Dispenser Model

#### **PTI22MBM (not shown)**

• 21.9 cu. ft. capacity • Equipped for optional electronic icemaker



As an ENERGY STAR® partner, GE has determined that this product meets the ENERGY STAR® guidelines for energy efficiency.

(Models PTI22SFM and PTI22MFM)

# GE® Top-Freezer “W” Exclusive Builder Series Models: 22 to 18 cu. ft.

**These models include** • Upfront illuminated temperature controls • Dual-level lighting • **Factory-installed icemaker** • Four adjustable **slide-out**, spillproof, easy **lift-off** glass shelves • Three adjustable gallon door bins • One fixed tall bottle door bin • Snack pan • **Two Profile-style adjustable humidity vegetable/fruit crispers** • Spillproof freezer floor • Deluxe quiet design • Freezer light • NeverClean condenser Note: bold = feature upgrade from previous model



Deluxe quiet design—quiet components and insulation allow for quiet operation.



Slide-out, spillproof easy lift-off glass shelves detach from the frame and have recessed edges to catch spills, making cleanup a breeze.



GE  
 Icemaker Models  
**GTS22WCP** (not shown)  
 • 21.7 cu. ft. capacity • Pivot-out pan removal system  
**GTS18WCP**  
 • 17.9 cu. ft. capacity

Not all features available on all models. For additional features, specifications and color availability, refer to page 169.



# GE Top-Freezer "K" Series Models: 22 to 18 cu. ft.

**These models include** • Upfront illuminated temperature controls • Dual-level lighting • **Four adjustable spillproof glass shelves** • **Three adjustable gallon door bins** • One fixed tall bottle door bin • Snack pan • **Two adjustable humidity vegetable/fruit crispers** • Spillproof freezer floor • Deluxe quiet design • **Freezer light** • NeverClean™ condenser Note: bold = feature upgrade from previous model



Internal water dispenser lets you enjoy the fresh taste of clean, filtered water from inside the refrigerator.



Pivot-out pan removal system makes cleaning crispers easier than ever (22 cu. ft. model only).



Seamless, spillproof freezer floor design makes freezer cleanup simple!



Adjustable gallon door bins store gallon containers with ease.



## GE Dispenser Models

### GTS22KHP

- 21.7 cu. ft. capacity • Internal water dispenser
- GE SmartWater™ filtration • Pivot-out pan removal system • Factory-installed icemaker

### GTH22SHP Stainless steel (not shown)

- 21.7 cu. ft. capacity • FrostGuard technology
- Internal water dispenser • GE SmartWater filtration
- Pivot-out pan removal system • Electronic temperature sensors • Factory-installed icemaker

### GTS18KHP (not shown)

- 17.9 cu. ft. capacity • Internal water dispenser
- GE SmartWater filtration • Factory-installed icemaker

### GTS18SHP Stainless steel (not shown)

- 17.9 cu. ft. capacity • **Internal water dispenser**
- **GE SmartWater filtration** • Factory-installed icemaker



As an ENERGY STAR® partner, GE has determined that this product meets the ENERGY STAR® guidelines for energy efficiency.

(Model GTH22SHP)



## GE Non-Icemaker Models

### GTS22KBP

- 21.7 cu. ft. capacity • Pivot-out pan removal system
- Equipped for optional automatic icemaker

### GTH22SBN Stainless steel (not shown)

- 21.7 cu. ft. capacity • FrostGuard technology
- Pivot-out pan removal system • **Electronic temperature sensors** • Equipped for optional automatic icemaker

### GTS18SBP Stainless steel (not shown)

- 17.9 cu. ft. capacity • Equipped for optional automatic icemaker

### GTS18KBP (not shown)

- 17.9 cu. ft. capacity • Equipped for optional automatic icemaker

### GTH18KBP (not shown)

- 17.9 cu. ft. capacity • Equipped for optional automatic icemaker



As an ENERGY STAR® partner, GE has determined that this product meets the ENERGY STAR® guidelines for energy efficiency.

(Models GTH22SBN and GTH18KBP)

Not all features available on all models. For additional features, specifications and color availability, refer to page 169.

## GE® Top-Freezer “J” Series Models: 22 to 18 cu. ft.

**These models include** • Upfront illuminated temperature controls • Dual-level lighting • Three spillproof glass shelves, two adjustable split and one full-width • Two vegetable/fruit crispers • Snack pan • **Two full-width encapsulated door bins, one with gallon storage** • **Spillproof freezer floor** • Deluxe quiet design • NeverClean™ condenser

Note: bold = feature upgrade from previous model



Gallon door storage accommodates gallon containers for quick access to most-used items.



Seamless, spillproof freezer floor design makes freezer cleanup simple!



### GE Icemaker Models

#### **GTL18JCP CleanSteel™**

• 17.9 cu. ft. capacity • Stainless appearance

#### **GTS22JCP** (not shown)

• **21.8 cu. ft. capacity** • Pivot-out pan removal system • Stainless appearance

#### **GTS18JCP** (not shown)

• 17.9 cu. ft. capacity

### Non-Icemaker Models

#### **GTS22JBP** (not shown)

• 21.8 cu. ft. capacity • Pivot-out pan removal system • Equipped for optional automatic icemaker

#### **GTL18JBP CleanSteel™** (not shown)

• 17.9 cu. ft. capacity • Stainless appearance • Equipped for optional automatic icemaker

#### **GTS18JBP** (not shown)

• 17.9 cu. ft. capacity • Equipped for optional automatic icemaker

#### **GTH18JBP** (not shown)

• 17.9 cu. ft. capacity • Equipped for optional automatic icemaker



As an ENERGY STAR® partner, GE has determined that this product meets the ENERGY STAR® guidelines for energy efficiency.

(Model GTH18JBP)

## GE Top-Freezer “I” Series Model: 20 cu. ft.

**This model includes** • Upfront temperature controls • Three SpillKeeper™ glass shelves, two adjustable split and one full-width • Two vegetable/fruit crispers • Snack pan • **Three full-width gallon door bins, two adjustable** • Deluxe quiet design

Note: bold = feature upgrade from previous model



Gallon door storage accommodates gallon containers for quick access to most-used items.



Adjustable humidity crispers provide the ideal storage environment for fruits and vegetables.



### GE Icemaker Model

#### **GTS20ICN**

• 20.0 cu. ft. capacity • Three SpillKeeper™ glass shelves, two adjustable split and one full-width • Three full-width gallon door bins (two adjustable)

Not all features available on all models. For additional features, specifications and color availability, refer to page 170.

## GE® Top-Freezer “D” Series Models: 18 cu. ft.

**These models include** • Upfront temperature controls • Upfront fresh food lighting • Three wire shelves, two adjustable split and one full-width • Two vegetable/fruit crispers • Snack pan • Three door shelves with gallon storage • Deluxe quiet design • NeverClean condenser

Note: bold = feature upgrade from previous model



Upfront temperature controls are easy to see and set.



### GE Icemaker Model

#### **GTS18DCP**

• 17.9 cu. ft. capacity • **Equipped with factory-installed icemaker**

### Non-Icemaker Models

#### **GTS18DBP** (not shown)

• 17.9 cu. ft. capacity • Equipped for optional icemaker

#### **GTH18DBP** (not shown)

• 17.9 cu. ft. capacity • Equipped for optional icemaker



As an ENERGY STAR® partner, GE has determined that this product meets the ENERGY STAR® guidelines for energy efficiency.

(Model GTH18DBP)

## GE Top-Freezer “B” Series Models: 18 to 12 cu. ft.

**These models include** • Upfront temperature controls • **Two vegetable/fruit crispers** • Two fixed door shelves with tall bottle storage • **Two adjustable wire full-width shelves** • Two fixed freezer door shelves • Deluxe quiet design • **NeverClean condenser**

Note: bold = feature upgrade from previous model



### GE Non-Icemaker Models

#### **GTR18BBM**

• **17.6 cu. ft. capacity** • Recessed handles • Equipped for optional automatic icemaker

#### **GTR17BBM** (not shown)

• **16.9 cu. ft. capacity** • Recessed handles • Equipped for optional automatic icemaker

#### **GTR15BBM** (not shown)

• 14.6 cu. ft. capacity • Recessed handles • Equipped for optional automatic icemaker

#### **GTS17BBM** (not shown)

• 16.9 cu. ft. capacity • Equipped for optional automatic icemaker

#### **GTS16BBM** (not shown)

• 15.6 cu. ft. capacity • Equipped for optional automatic icemaker

#### **GTS15BBM** (not shown)

• 14.6 cu. ft. capacity • Equipped for optional automatic icemaker

#### **GTH15BBM** (not shown)

• 14.6 cu. ft. capacity • Equipped for optional automatic icemaker

#### **GTS12BBP** (not shown)

• 11.7 cu. ft. capacity

### Icemaker Models

#### **GTS17BCM** (not shown)

• **16.9 cu. ft. capacity**

#### **GTS15BCM** (not shown)

• 14.6 cu. ft. capacity



As an ENERGY STAR® partner, GE has determined that this product meets the ENERGY STAR® guidelines for energy efficiency.

(Model GTH15BBM)



# GE® Top-Freezer “A” Series Model: 12 to 10 cu. ft.

Note: bold = feature upgrade from previous model



GE  
Non-Icemaker Model  
**GTR11AAP**

- 11.4 cu. ft. capacity
- One wire full-width freezer shelf
- Two wire full-width shelves
- One full-width vegetable/fruit crisper



GE  
Manual Defrost Model  
**GMS10AAM**

- 9.7 cu. ft. capacity
- Five door shelves (two egg)
- Full-width vegetable/fruit crisper
- Two adjustable wire cabinet shelves
- Tall bottle storage

## GE Spacemaker™ Compact Refrigerators: 6.0 to 1.8 cu. ft.

Note: bold = feature upgrade from previous model



GE  
Compact Model  
**GMR06AAP**

- 6.0 cu. ft. capacity
- Two wire cabinet shelves, one adjustable
- One full-width, two half-width door shelves
- Can rack
- Built-in or free-standing capability
- Color-matched visor handles



GE  
Compact Model  
**GMR04AAM** (not shown)

- 4.3 cu. ft. capacity
- Two wire cabinet shelves
- **Two full-width, one half-width door shelves**
- Can rack
- GMR02BAN**
- 1.8 cu. ft. capacity
- One fixed wire cabinet shelf
- One full-width, one half-width door shelves

## GE Profile™ Wine Cooler: 4.3 cu. ft.



GE Profile  
Wine Cooler  
**PWR04FAN**

- 4.3 cu. ft. capacity
- Five slide-out shelves (holds 29 bottles)
- Clear glass door
- Electronic adjustable controls
- Interior light
- Lock

# GE Profile Arctica™ Bottom-Freezer Refrigerators

## Fresh Food First.

Arctica bottom-freezers are uniquely configured to put fresh foods within convenient reach. Full-width shelves allow easy access to refrigerator contents, and brilliant lighting allows easy viewing of items.

While these new refrigerators put fresh food first, frozen food storage is also given thoughtful consideration. A multi-level storage system gives you tremendous storage flexibility. Also, an Integrated Icemaker™ gives you all the ice—and space—you need.

Both the fresh food and freezer compartments use innovative cooling technology to help preserve foods and conserve energy. In addition to fresh technology, GE bottom-freezers offer a fresh style twist with contoured doors and sculptured handles.



*GE bottom-freezer refrigerators are a top choice among consumers who want modern design and maximum convenience.*



**ONLY GE HAS IT!**

### Contoured doors and sculptured handles

Gently contoured doors and GE handles offer a dramatic, kitchen-enhancing look.



**ONLY GE HAS IT!**

### ClimateKeeper™ system

Combines upfront electronic touch controls, multiple electronic sensors and a multifold air system to keep temperatures consistent and help keep foods fresh.



**ONLY GE HAS IT!**

### Integrated Icemaker™

Combines an icemaker and ice bin in one system to save space and hassle. The ice bin is built into the icemaker, not the freezer baskets, so cubes don't fall onto the freezer floor.

# GE Profile Arctica Bottom-Freezer Drawer Models: 22 to 20 cu. ft.

**These models include** • Upfront electronic touch controls with digital temperature readout • ShelfSaver™ beverage rack • Slide-out, spillproof glass shelves • QuickSpace™ shelf • FrostGuard™ technology • ClearLook adjustable gallon door bins • Multi-level Slide 'n Store™ basket system • Adjustable humidity vegetable/fruit crispers • Adjustable temperature deli pan • Contoured doors • Sculptured handles • NeverClean™ condenser • Deluxe quiet design

**Note: bold = feature upgrade from previous model**



QuickSpace shelf quickly slides out of the way to make room for tall items.



ShelfSaver beverage rack provides space for odd shapes and sizes.



Slide 'n Store freezer drawer provides easy access to frozen foods.



## GE Profile

### Icemaker Models

**PDS20SCP Stainless steel**

- 19.5 cu. ft. capacity • GE SmartWater™ filtration

**PDS20MCP** (not shown)

- 19.5 cu. ft. capacity • GE SmartWater filtration

**PDS22SCP Stainless steel** (not shown)

- 22.2 cu. ft. capacity • GE SmartWater filtration

**PDS22MCP** (not shown)

- 22.2 cu. ft. capacity • GE SmartWater filtration

### Non-Icemaker Models

**PDS20SBP Stainless steel** (not shown)

- 19.5 cu. ft. capacity • Equipped for optional automatic icemaker

**PDS20MBP** (not shown)

- 19.5 cu. ft. capacity • Equipped for optional automatic icemaker

**PDS22SBP Stainless steel** (not shown)

- 22.2 cu. ft. capacity • Equipped for optional automatic icemaker

**PDS22MBP** (not shown)

- 22.2 cu. ft. capacity • Equipped for optional automatic icemaker



As an ENERGY STAR® partner, GE has determined that this product meets the ENERGY STAR® guidelines for energy efficiency.

Not all features available on all models. For additional features, specifications and color availability, refer to page 174.



# GE® Bottom-Freezer Models: 22 to 18 cu. ft.

**These models include** • Upfront illuminated controls • Adjustable spill proof glass shelves • FrostGuard™ technology • Snack pan  
 • Full-width sliding freezer basket • NeverClean™ condenser • Deluxe quiet design Note: bold = feature upgrade from previous model



Adjustable fresh food gallon door storage provides maximum storage flexibility.



Spillproof shelves help contain spills for ease of cleaning.



Upfront temperature controls are easy to see and set.



## GE Non-Icemaker Door Models

### **GBS22KBP**

- 22.3 cu. ft. capacity • 4 split, spillproof glass shelves
- Adjustable humidity vegetable/fruit crispers
- Adjustable gallon door bins • Equipped for optional automatic icemaker

### **GBS20KBP** (not shown)

- 19.5 cu. ft. capacity • 4 split, spillproof glass shelves
- **Adjustable humidity vegetable/fruit crispers**
- Adjustable gallon door bins • Equipped for optional automatic icemaker



As an ENERGY STAR® partner, GE has determined that this product meets the ENERGY STAR® guidelines for energy efficiency.

## GE Non-Icemaker Door Model

### **GBS22HBP**

- 22.3 cu. ft. capacity • One full-width, two split glass shelves • Fixed gallon door bins • Two vegetable/fruit crispers • Adjustable gallon door bins • Equipped for optional automatic icemaker

## Icemaker Door Model

### **GBS22HCP** (not shown)

- 22.3 cu. ft. capacity • Adjustable gallon door bins



As an ENERGY STAR® partner, GE has determined that this product meets the ENERGY STAR® guidelines for energy efficiency.



GE  
Non-Icemaker Door Models  
**GBS18KBP**

- 18.1 cu. ft. capacity • **Four adjustable split, spillproof glass shelves** • **Adjustable humidity vegetable/fruit crispers** • Equipped for optional automatic icemaker

**GBS18HBP** (not shown)

- 18.1 cu. ft. capacity • One full-width, two split glass shelves • Two full-width fixed door bins • Clear crispers • Equipped for optional automatic icemaker



As an ENERGY STAR® partner, GE has determined that this product meets the ENERGY STAR® guidelines for energy efficiency.

GE Bottom-Freezer Models: 18 cu. ft.

**These models include** • Brita® filtered water door module • ShelfSaver™ beverage rack • One full-width, two split Slide 'n Store freezer baskets • Adjustable humidity vegetable/fruit crispers • Snack pan • NeverClean condenser • Deluxe quiet design

Note: bold = feature upgrade from previous model



Brita filtered water door module holds nearly two gallons of water (18 cu. ft. models only).



Adjustable fresh food gallon door storage provides maximum storage flexibility.



GE  
Non-Icemaker Drawer Models

**GDS18SBP Stainless steel**

- 18.1 cu. ft. capacity • Stainless steel tubular door handles (must choose left or right hand door opening) • Four adjustable split, spillproof glass shelves (two slide-out) • Equipped for optional automatic icemaker

**GDS18LBP** (not shown)

- 18.1 cu. ft. capacity • Full-grip, side-mounted color-matched handle • Four adjustable split, spillproof glass shelves (two slide-out) • Equipped for optional automatic icemaker

Icemaker Drawer Models

**GDS18SCP Stainless steel** (not shown)

- 18.1 cu. ft. capacity • Four adjustable split, spillproof glass shelves (two slide-out)

**GDS18LCP** (not shown)

- 18.1 cu. ft. capacity • Four adjustable split, spillproof glass shelves (two slide-out)

Available September 2003



As an ENERGY STAR® partner, GE has determined that this product meets the ENERGY STAR® guidelines for energy efficiency.

Not all features available on all models.

For additional features, specifications and color availability, refer to page 175.

# GE® Chest Freezers

## These models include

- Adjustable temperature control
- Upfront defrost water drain

Note: **bold** = feature upgrade from previous model



Lift-out and sliding wire baskets simplify loading and unloading.



Interior light brightens for easy access.



### GE Chest Freezer Models

- FCM25RM** (not shown)
- **25.1 cu. ft. capacity** • **Four lift-out and sliding bulk storage baskets** • Interior light • Built-in lock
  - Limited food loss warranty\*

- FCM20DP**
- **19.7 cu. ft. capacity** • **Three lift-out and sliding bulk storage baskets** • Interior light • Built-in lock
  - Limited food loss warranty\*

- FCM15DP** (not shown)
- **14.8 cu. ft. capacity** • **Two lift-out and sliding bulk storage baskets** • Interior light • Built-in lock
  - Limited food loss warranty\*



### GE Chest Freezer Model

- FCM15SP**
- **14.8 cu. ft. capacity** • One lift-out and sliding bulk storage basket • Limited food loss warranty\*



### GE Chest Freezer Models

- FCM9DP**
- **8.8 cu. ft. capacity** • Two lift-out and sliding bulk storage baskets • Interior light • Built-in lock
  - Limited food loss warranty\*

- FCM7DN** (not shown)
- **7.0 cu. ft. capacity** • Two lift-out and sliding bulk storage baskets • Power "ON" light • Built-in lock
  - Limited food loss warranty\*



### GE Chest Freezer Models

- FCM5DM**
- **5.0 cu. ft. capacity** • Two lift-out and sliding bulk storage baskets • Power "ON" light • Built-in lock
- FCM5SM** (not shown)
- **5.0 cu. ft. capacity** • One lift-out and sliding bulk storage basket

\*See written warranty for complete details. Not all features available on all models. For additional features, specifications and color availability, refer to page 176.



# GE Upright Freezers

**These models include** • Adjustable temperature control • Limited food loss warranty\*

Note: bold = feature upgrade from previous model



Refrigerated cabinet shelves keep items extra cool.



Slide-out bulk storage basket for maximum freezer capacity.



Safety lock provides security.



## GE Deluxe Upright Frost-Free Models FUF20DP

- **20.3 cu. ft. capacity** • One slide-out bulk storage basket • **Five cabinet shelves, three adjustable**
- **Six door shelves** • Built-in lock • Interior light

## FUF17DP (not shown)

- **16.7 cu. ft. capacity** • One slide-out bulk storage basket • **Four cabinet shelves, three adjustable**
- Five door shelves • Built-in lock • Interior light

## FUF14DP (not shown)

- **13.7 cu. ft. capacity** • One slide-out bulk storage basket • Three cabinet shelves, two adjustable
- Five door shelves • Built-in lock • Interior light



## GE Deluxe Upright Manual Defrost Models FUM21DP (not shown)

- **20.6 cu. ft. capacity** • One slide-out bulk storage basket
- **Five cabinet shelves, one adjustable** • **Six door shelves**
- Built-in lock • Interior light • Defrost water drain

## FUM17DP

- **17.1 cu. ft. capacity** • One slide-out bulk storage basket
- Four cabinet shelves, one adjustable • Five door shelves
- Built-in lock • Interior light • Defrost water drain

## FUM14DP (not shown)

- **14.1 cu. ft. capacity** • One slide-out bulk storage basket
- **Four cabinet shelves, one adjustable** • Five door shelves
- Built-in lock • Interior light • Defrost water drain



## GE Standard Upright Manual Defrost Models FUM14SM

- **14.1 cu. ft. capacity** • **Three cabinet shelves**
- **Five door shelves** • **Defrost water drain**

## FUM5SN (not shown)

- **5.0 cu. ft. capacity** • Two cabinet shelves
- Three door shelves

\*See written warranty for complete details. Not all features available on all models. For additional features, specifications and color availability, refer to page 176.

**A**ward-winning technology takes on a whole new look.

Since its introduction in 1999, the GE Profile

Advantium® oven has won numerous awards for its

innovative **Speedcook technology**. Harnessing the

power of light, it does what no other oven has done

before—deliver **delicious results in minutes**. Today,

Advantium is commanding attention, not only for its

powerful capabilities, but also for its **bold**

appearance. A window

framed by two opposing

arcs and a unique

sculptured handle make

the Advantium a stunning

addition to any kitchen.

It's the perfect

second oven!



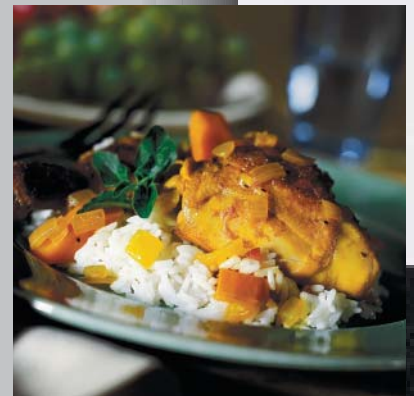
#### Speed performance

Imagine the luxury of preparing a salmon steak in less time than it takes to set the table. Or the convenience of baking potatoes in 4 minutes with the press of a button. This is the extraordinary capability of Advantium Speedcook technology.



#### Oven-quality performance

Advantium ovens cook amazingly fast, with great-tasting results. Foods not only cook faster with light, but they also retain their natural juices, moisture and flavor.



#### Versatility

Advantium ovens let you prepare meals you never dreamed of cooking during the week.

These ovens bake, broil, brown, roast and grill, with no preheating.

And for added time savings, they convert to microwave ovens.



#### Installation flexibility

The Advantium wall oven can be installed by itself, over a traditional wall oven or over a warming drawer. The Advantium above-the-cooktop ovens can be conveniently located over a counter, range or cooktop.





Refrigeration

Advantium® Ovens

Microwave Ovens

Dishwashers

Clothes Care

Water Systems

Air Conditioning





## Advantium 240 Oven Great-tasting food up to eight times faster!\*

The award-winning Advantium oven harnesses the energy of light to deliver beautiful, flavorful results in mere minutes. Its revolutionary Speedcook technology broils, browns, roasts and even grills food, with no preheating. And for added flexibility, Advantium converts to a fully functional microwave oven.



The Advantium oven cooks food to delectable perfection, and the evidence can be found in the look, aroma and taste—oven-quality food, fast.



## Advantium 120 Oven Great-tasting food up to four times faster!\*

This well-rounded oven offers revolutionary Speedcook technology, along with traditional oven, microwave and warming capabilities. There's a cooking mode for any dish you have in mind. And the flexible configuration installs with ease. Just plug it into any standard 120-volt power outlet.



Advantium ovens come preprogrammed with more than 100 of your favorite dishes. Just select your dish and press "Start."

**Favorite foods cook in minutes.  
Compare the Advantium oven to a conventional oven.**

Food	Advantium Oven	Advantium 120 Oven	Conventional Oven
Whole Chicken	20 minutes	40 minutes	119 minutes
Whitefish Fillets	3-1/2 minutes	10 minutes	38 minutes
Crescent Rolls	4-1/2 minutes	10 minutes	18 minutes
Chocolate Chip Cookies	4-1/2 minutes	10 minutes	16 minutes
Baked Potatoes	4 minutes	11 minutes	83 minutes
Pepperoni Pizza	7 minutes	13 minutes	23-1/2 minutes

\*Compared to a conventional oven.

# GE Profile Advantium Wall Ovens

**These models include** • More than 100 preprogrammed menu items • 200-dish cookbook • Cooking conversion guide with tips  
 • Microwave with sensor • Four cooking trays: three for speedcooking, one for microwave mode • Family-size, easy-to-clean stainless steel interior • Sculptured handle • Complete cooking reminder • Child lockout • Custom recipe saver



Timesaving technology, versatile programming options and easy-to-use controls make Advantium the perfect second oven.



By harnessing the power of light, Advantium cooks food to golden perfection in minutes.



Stacked over a conventional wall oven and/or warming drawer, Advantium completes your cooking center.



**GE Profile™**  
 Wall Oven  
**SCB2001FSS**  
 Stainless steel



**GE Profile**  
 Wall Oven  
**SCB2000FWW**  
 White on white  
**SCB2000FCC**  
 Bisque on bisque  
 (not shown)  
**SCB2000FBB**  
 Black on black  
 (not shown)

Not all features available on all models. For additional features, specifications and color availability, refer to page 178.



# GE Profile Advantium® Above-the-Cooktop Ovens

- These models include** • More than 100 preprogrammed menu items • 200-dish cookbook • Cooking conversion guide with tips
- Microwave mode • Four cooking trays: three for speedcooking, one for microwave mode • Family-size, easy-to-clean stainless steel interior
  - Sculptured handle • Complete cooking reminder • Child lockout • Custom recipe saver • Full-view halogen cooktop lighting



Speedcook technology harnesses the power of light to cook foods up to eight times faster than a conventional oven.



The smooth, stainless steel interior cleans quickly with the simple wipe of a towel.



The Advantium above-the-cooktop oven can be installed over a counter, range or cooktop.



**GE Profile™**  
*Above-the-Cooktop Oven*  
**SCA2001FSS**  
Stainless steel



**GE Profile**  
*Above-the-Cooktop Oven*  
**SCA2000FBB**  
Black on black  
**SCA2000FWW**  
White on white (not shown)  
**SCA2000FCC**  
Bisque on bisque (not shown)



Not all features available on all models.  
For additional features, specifications and color availability, refer to page 179.

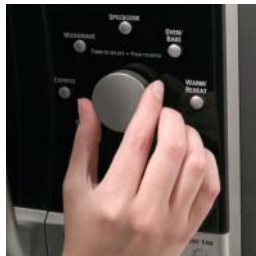


# GE Profile Advantium 120 Above-the-Cooktop Ovens

**These models include** • Four cooking modes: Speedcook, traditional oven, microwave and warming • More than 100 preprogrammed menu items • 200-dish cookbook • Cooking conversion guide with tips • Family-size, easy-to-clean stainless steel interior • Sophisticated contoured design • Sculptured handle • Custom recipe saver • Complete cooking reminder • Child lockout • Full-view halogen cooktop lighting



Award-winning Speedcook technology delivers great-tasting meals up to four times faster than a conventional oven.



The Advantium 120 oven offers four oven modes for the ultimate in cooking versatility.



The flexible above-the-cooktop configuration installs with ease over a counter, range or cooktop and plugs into any standard 120-volt/15amp power outlet.



Available January 2004

**GE Profile**  
Above-the-Cooktop Oven  
**SCA1001HSS**  
Stainless steel



Available January 2004

**GE Profile**  
Above-the-Cooktop Oven  
**SCA1000HCC**  
Bisque on bisque  
**SCA1000HWW**  
White on white (not shown)  
**SCA1000HBB**  
Black on black (not shown)



Not all features available on all models. For additional features, specifications and color availability, refer to page 179.

**A**dvanced technology comes to the kitchen.

With more convenience, performance and style, GE

built-in products are changing the way the modern

family cooks. And Trivection™ technology is leading

the charge. It has the ability to produce optimal food

quality, up to five times faster than a traditional oven!\*

The amazing Precise Air™ convection system bakes

more evenly than any other convection wall oven.\*

And when it comes to style, we feature more

choices

to complement any

taste or preference. With self-clean

models, extra-large capacities and

multi-dimensional features, GE offers

innovative built-in products

designed for today's lifestyles.



#### Trivection™ technology

Wall ovens and slide-in ranges with Trivection™ technology combine thermal, convection and microwave heat sources to produce delicious results up to five times faster than a traditional thermal oven.\*



#### Cooktops

Our gas and electric cooktops offer features and options that are indispensable in the kitchen. From high output burners to warming zones to one-touch controls, GE puts advanced performance at your fingertips.



#### Built-in wall ovens

Built-in wall ovens make a dramatic design statement. Installed in a wall, under a counter or in a cabinet, these ovens integrate beautifully into any kitchen.



#### Warming drawers

GE's essential warming drawer helps you keep just-cooked foods warm while you're waiting for guests or preparing other dishes.



\*Pending final substantiation.



Refrigeration

Built-In Cooking

Microwave Ovens

Dishwashers

Clothes Care

Water Systems

Air Conditioning



# GE Profile™ Built-In Ovens Featuring Trivection™ technology

It's all about great food. Speed seals the deal.

GE Profile wall ovens and slide-in ranges with exclusive Trivection™ technology achieves the delicate balance of heat and time by combining thermal, Precise Air™ convection and microwave heating methods. The result is mouth-watering foods up to five times faster than a traditional oven.\*



Using pre-determined settings, customized by food type, Trivection technology automatically delivers the ideal combination of heating energy to produce optimal texture, crispness, moistness and browning.



From angel food cake to casseroles to salmon, Trivection technology ensures delicious and succulent results.

Trivection technology combines the best qualities of three heat sources.



### Thermal Heating

Traditional bake and broil elements provide dry heat from above and below the food, while helping maintain consistent oven temperature.

### Precise Air™ Convection

An innovative fan reverses direction for optimal air and heat circulation, providing even cooking, faster roasting speeds and multi-rack baking capability. Ideal for accelerated browning.

### Microwave Energy

Electromagnetic waves excite molecules in food and help accelerate the cooking process, ensuring faster cooking speeds.

\*Pending final substantiation.

Not all features available on all models.

A dash of thermal. A pinch of convection. A hint of microwave.



**Lasagna**

A lasagna is usually a large and dense with a high moisture content that benefits from high levels of all three energies. The thermal and convection energies will provide ideal browning, while the microwave will help to quickly bring the middle of the lasagna up to proper baking temperature.

*A traditional oven cooks a lasagna in one hour using only thermal energy. A Trivection technology oven cooks a lasagna in 15 minutes\* using thermal, convection and microwave energies continuously throughout the cooking cycle.*



**Turkey (22-pound)**

Poultry, which has a large amount of surface area, has a tendency to dry out during cooking. To combat this, the thermal and convection energies will help brown the outside to seal in the juices, while the microwave energy will speed up the cooking process to prevent moisture loss.

*A traditional oven cooks a 22 lb. turkey in four hours using only thermal energy. A Trivection technology oven cooks the same turkey in two hours\* using thermal and convection energies continuously and microwave energy for 80% of the cooking cycle.*

Chef's Guide™ Controls make cooking a snap.



With easy step-by-step instructions, the Chef's Guide controls help take you through the cooking experience. Program the oven in three simple steps:

- Step 1:** Select the cooking method and type of food
- Step 2:** Enter the traditional recipe temperature
- Step 3:** Enter the traditional cooking time

Once the oven is programmed, it automatically adjusts the ideal heating combination and the cooking time to the food type selected—delivering exceptional results.



# GE Profile™ Built-In Double and Single Ovens: 30" Electric with Trivection™ technology

**These models include** • Trivection technology • Precise Air™ convection system • Single- and multi-rack convection bake • Convection roast • TrueTemp™ system • Self-clean oven with light self-clean option • Chef's Guide™ glass touch controls • Auto Recipe™ conversion

- Proof mode • Warm mode • Defrost mode • Three heavy-duty oven racks • Two halogen interior oven lights • Big View window
- Certified Sabbath mode • Trivection cookbook

**Note: bold = feature upgrade from previous model**



Trivection technology delivers the ideal combination of these different heating technologies.



TrueTemp™ technology provides even heat distribution and maximum control.



Precise Air™ convection uses an innovative fan that reverses direction for optimal air and heat circulation.



Chef's Guide controls make oven programming quick and easy.

\*Pending final substantiation.

Not all features available on all models. For additional features, specifications and color availability, refer to pages 180-181.

## Trivection/Convection Upper, Convection Lower



**GE Profile™**  
*30" Built-In Double Oven with Trivection Technology*

**JT980SH** Stainless steel  
• Stainless steel oven doors • Stainless-look sculptured handles

**Trivection/Convection Upper Oven**

• Speed baking mode • Speed broiling mode  
• Five embossed rack positions

**Convection Lower Oven**

• Seven embossed rack positions

## Trivection/Convection Upper, Convection Lower



**GE Profile**  
*30" Built-In Double Oven with Trivection Technology*

**JT980WH** White on white  
• Frameless glass oven doors • Sculptured handles

**JT980CH** Bisque on bisque (not shown)

**JT980BH** Black on black (not shown)

## Trivection/Convection



**GE Profile**  
*30" Built-In Single Oven with Trivection Technology*

**JT930SH** Stainless steel  
• Speed baking mode • Speed broiling mode  
• Five embossed rack positions • Stainless steel oven door • Stainless-look sculptured handle

**JT930WH** White on white (not shown)

• Frameless glass oven door • Sculptured handle

**JT930CH** Bisque on bisque (not shown)

**JT930BH** Black on black (not shown)



# GE Profile Slide-In Ranges: 30" Electric with Trivection technology

**This model includes** • Trivection technology • Precise Air convection system • Single- and multi-rack convection bake • Convection roast • TrueTemp system • Self-clean oven with light self-clean option • Chef's Guide glass touch controls • Auto Recipe conversion • Proof mode • Warm mode • Defrost mode • Three heavy-duty racks • Dual 6"/9" heating element • 8" ribbon heating element • Two 6" ribbon heating elements • Two halogen interior oven lights • Big View window • Certified Sabbath mode

**Note: bold = feature upgrade from previous model**



Speed modes cook food up to five times faster\* than a traditional thermal oven.



Provides ideal convection baking for multiple racks of food.



A smooth ceramic-glass CleanDesign cooktop makes cleaning quick and easy.



Optional backguard kit attaches to the back of range when unit is installed into a free-standing cutout.

\*Pending final substantiation.

Not all features available on all models. For additional features, specifications and color availability, refer to pages 180-181.



## GE Profile 30" Slide-In Range with Trivection Technology

**JS998SH** Stainless steel

- Patterned black ceramic glass cooktop
- Stainless steel oven door
- Stainless-look sculptured handle
- Speed baking mode
- Speed broiling mode



## GE Profile 30" Slide-In Range with Trivection Technology

**JS998TH** True white

- True white ceramic glass cooktop
- Frameless glass oven door
- Sculptured handle

**JS998KH** True bisque (not shown)

- True bisque ceramic glass cooktop



## GE Profile 30" Slide-In Range with Trivection Technology

**JS998BH** Black on black

- Patterned black ceramic glass cooktop

# GE® Built-In Single and Double Wall Ovens

## GE Profile™ wall ovens perform beautifully in any kitchen.

GE Profile wall ovens have improved upon true European convection with the Precise Air™ convection system, which uses an innovative fan that reverses direction. The result is uniform heating throughout, and an oven that bakes more evenly than any other convection wall oven.\*

The largest\*\* oven capacity in America and multiple rack positions give you the flexibility to cook more food at once.

Among the many convenient features is the proof setting for rising dough, Sabbath mode for preparing foods in accordance with kosher law, warm mode for keeping foods at serving temperature and the option of closed door broiling.

\*Among leading manufacturers' brands.

\*\*Among leading manufacturers' brands, except 30" convection ovens.



## The versatile design works with every cooking style, every kitchen.

Versatility extends to installation, as well. GE wall ovens go wherever they're needed: in a wall, cabinet or under a counter. These wall ovens fit into common cutouts, making it easy to upgrade or replace an older GE wall oven. And the flush installation appearance makes the most of your kitchen space.





GE flexibility gives you more ways to cook great food!



**Convection options**

GE Profile wall ovens use True European convection, now delivered through the Precise Air™ convection system. Meats are beautifully browned, yet tender and juicy inside and breads and desserts are baked to golden perfection.

**Precise Air convection system**

This exclusive system uses an innovative fan that rotates one way, then reverses direction for optimal air and heat circulation. Plus, a third heating element surrounds the fan and delivers consistent heat. These ovens bake more evenly than any other convection wall oven.\*

**Auto Recipe™ conversion**

Auto Recipe eliminates guesswork by automatically converting standard recipe temperatures to proper convection settings. Simply set the control according to recipe instructions and the oven automatically adjusts for convection baking.

The maximum in cooking performance and versatility.



**Largest\*\* capacity**

GE wall ovens now feature the largest\*\* capacity wall ovens in America. Great for holiday meals and dinner parties, you have greater flexibility to cook more food at once!



**Heavy-duty racks**

The durable construction of the heavy-duty racks provides additional support for large cooking needs, such as that Thanksgiving turkey.



**Multiple cooking modes**

A variety of flexible cooking modes help make cooking convenient. The proof mode allows dough to rise properly. The warm mode keeps meals warm and ready to serve. And the certified Sabbath mode keeps food warm in accordance with kosher law.

\*Among leading manufacturers' brands.

\*\*Among leading manufacturers' brands, except 30" convection ovens.

Not all features available on all models.



# Built-In Double Ovens: 30" Electric

## These models include

- The largest\* capacity wall oven in America!
- Flush appearance installation
- Fits most 30" cabinets
- TrueTemp™ system
- Light self-clean
- Certified Sabbath mode
- Control lock capability
- Big ClearView™ windows
- Optional closed door broiling

Note: bold = feature upgrade from previous model



Precise Air™ convection uses an innovative fan that reverses direction for optimal air and heat circulation.



Eight-pass power bake exemplifies the ultimate in heating performance with complete coverage.



CleanDesign oven interiors have a hidden bake element and a smooth, seamless surface, making cleanup easier than ever.

Not all features available on all models. For additional features, specifications and color availability, refer to pages 182-183.

## Convection Self-Clean Upper/Self-Clean Lower



### GE Profile™ 30" Built-In Double Oven

**JT955SF** Stainless steel

- Bakes more evenly than any other convection wall oven\*\*
- **Electronic glass touch controls**
- CleanDesign oven interior/hidden bake element
- Stainless steel oven doors
- **Halogen oven light**
- Convection cookbook

#### Convection Upper Oven

- Extra-large 4.1 cu. ft. self-clean oven
- Precise Air™ convection system
- **Single-rack and multi-rack convection bake**
- Convection roast
- Auto Recipe™ conversion
- **Proof mode**
- **Warm mode**
- Three heavy-duty oven racks
- Eight-pass bake element
- Oven meat probe
- Seven embossed rack positions

#### Thermal Lower Oven

- Extra-large 4.4 cu. ft. self-clean oven
- Two heavy-duty oven racks

## Convection Self-Clean Upper/Self-Clean Lower



### GE Profile 30" Built-In Double Oven

**JT955CF** Bisque on bisque

- Frameless glass oven doors

**JT955WF** White on white (not shown)

**JT955BF** Black on black (not shown)

## Convection Self-Clean Upper/Self-Clean Lower



### GE Profile 30" Built-In Double Oven

**JT952BF** Black on black

- Bakes more evenly than any other convection wall oven\*\*
- Electronic oven controls
- CleanDesign oven interior/hidden bake element
- Convection cookbook

#### Convection Upper Oven

- Extra-large 4.1 cu. ft. self-clean oven
- Precise Air convection system
- Convection bake
- Convection roast
- Auto Recipe conversion
- Three heavy-duty oven racks
- Eight-pass bake element
- Oven meat probe
- Seven embossed rack positions

#### Thermal Lower Oven

- Extra-large 4.4 cu. ft. self-clean oven
- Two heavy-duty oven racks

**JT952SF** Stainless steel (not shown)

**JT952WF** White on white (not shown)

**JT952CF** Bisque on bisque (not shown)

\* Among leading manufacturers' brands except 30" convection ovens.

\*\* Among leading manufacturers' brands.

Self-Clean (Both Ovens)



GE®  
30" Built-In Double Oven

- JTP50SH** Stainless steel
- Stainless steel oven doors • Two extra-large 4.4 cu. ft. self-clean ovens with delay self-clean
  - Interior oven light • Six-pass bake element
  - Two oven racks (each oven) • Six embossed rack positions • Audible preheat signal



The largest\* capacity wall oven in America gives you flexibility to cook more at once.

Self-Clean (Both Ovens)



Self-Clean Upper/Standard Lower



TrueTemp™ technology provides even heat distribution and maximum control.



Certified Sabbath mode keeps food warm in accordance with kosher law.

GE  
30" Built-In Double Oven

- JTP48SF** Stainless steel with black accents
- Stainless steel oven doors • **Two extra-large 4.4 cu. ft. self-clean ovens with delay self-clean**
  - Interior oven light • Six-pass bake element
  - Two oven racks (each oven) • Six embossed rack positions • Audible preheat signal

**JTP48WF** White on white (not shown)

- Frameless glass oven doors

**JTP48CF** Bisque on bisque (not shown)

**JTP48BF** Black on black (not shown)

GE  
30" Built-In Double Oven

- JTP28BF** Black on black
- Frameless glass oven doors • Two oven racks (each oven)
  - Six embossed rack positions • Audible preheat signal

**Upper Oven**

- Extra-large 4.4 cu. ft. self-clean oven with delay self-clean
- Electronic oven controls • Delay bake • Interior oven light

**Lower Oven**

- Extra-large 4.4 cu. ft. standard-clean oven • Rotary controls

**JTP28SF** Stainless steel (not shown)

- Stainless steel oven door

**JTP28WF** White on white (not shown)

**JTP28CF** Bisque on bisque (not shown)

Not all features available on all models.  
For additional features, specifications and color availability, refer to pages 182-183.



# Built-In Double Combination Ovens: 30" and 27" Electric

## These models include

- Flush appearance installation • Frameless glass oven doors
- Electronic controls
- TrueTemp™ system
- Control lock capability
- Variable broil • Optional closed door broil

Note: bold = feature upgrade from previous model



True European convection ovens provide even cooking and superior baking results.



Sensor microwave cooking controls take the guesswork out of cooking your favorite foods.



Electronic controls are simple to understand and easy to use. Just read and touch.

Not all features available on all models. For additional features, specifications and color availability, refer to pages 182 and 186.

## Microwave Upper/Convection Lower



### GE Profile™ 30" Built-In Double Oven

- JT965SF** Stainless steel  
• Fits most 30" cabinets

#### Microwave Upper Oven

- 1.6 cu. ft. cavity • Sensor cooking controls for Auto Cook and Reheat • Turntable • 1000 watts

#### Convection Lower Oven

- Extra-large 4.1 cu. ft. self-clean oven • **CleanDesign oven interior/hidden bake element** • Exclusive Big ClearView™ window • **True European convection system** • Convection bake • Convection roast • Three heavy-duty oven racks • Oven meat probe • **Eight-pass power bake element** • **Halogen interior oven lights** • **Seven embossed rack positions**

**JT965BF** Black on black (not shown)

**JT965WF** White on white (not shown)

**JT965CF** Bisque on bisque (not shown)

## Microwave Upper/Self-Clean Lower



### GE® 30" Built-In Double Oven

- JTP86WF** White on white  
• Fits most 30" cabinets • Upfront interior oven lights

#### Microwave Upper Oven

- 1.6 cu. ft. cavity • Sensor cooking controls for Auto Cook and Reheat • Turntable • 1000 watts

#### Lower Oven

- Extra-large 4.4 cu. ft. self-clean oven with Delay Clean option • Two oven racks • Six embossed rack positions • Big ClearView window

**JTP86SH** Stainless steel (not shown)

**JTP86CF** Bisque on bisque (not shown)

**JTP86BF** Black on black (not shown)

## Microwave Upper/Self-Clean Lower



### GE 27" Built-In Double Oven

- JKP86BF** Black on black  
• Fits most 27" cabinets • Upfront interior oven lights

#### Microwave Upper Oven

- 1.6 cu. ft. cavity • Auto Roast • Auto Cook • Turntable • 1000 watts

#### Lower Oven

- Extra-large 3.9 cu. ft. self-clean oven with Delay Clean option • Big ClearView window • Two oven racks

**JKP86SH** Stainless steel (not shown)

**JKP86WF** White on white (not shown)

**JKP86CF** Bisque on bisque (not shown)



# Built-In Double Ovens: 27" Electric

## These models include

- Bakes more evenly than any other convection wall oven\*
- The largest\*\* capacity wall oven in America!
- Flush appearance installation
- Fits most 27" cabinets
- TrueTemp™ system
- Light self clean
- Certified Sabbath mode
- Control lock capability
- Big ClearView windows
- Variable broil
- Convection cookbook

Note: bold = feature upgrade from previous model

## Convection Upper/Self-Clean Lower



### GE Profile

#### 27" Built-In Double Oven

**JK955SF** Stainless steel

- **Electronic glass touch controls**
- **CleanDesign oven interior/hidden bake element**
- **Stainless steel oven doors**
- **Halogen oven light**

#### Convection Upper Oven

- Extra-large 3.9 cu. ft. self-clean oven
- **Precise Air™ convection system**
- **Single-rack and multi-rack convection bake**
- **Convection roast**
- **Auto Recipe™ conversion**
- **Proof mode**
- **Warm mode**
- **Three heavy-duty oven racks**
- **Six-pass bake element**
- **Oven meat probe**

#### Thermal Lower Oven

- Extra-large 3.9 cu. ft. self-clean oven
- **Two heavy-duty oven racks**



Precise Air™ convection uses an innovative fan that reverses direction for optimal air and heat circulation.



The largest\*\* capacity wall oven in America gives you flexibility to cook more at once.



CleanDesign oven interiors have a hidden bake element and a smooth, seamless surface, making cleanup easier than ever.



### GE Profile

#### 27" Built-In Double Oven

**JK955CF** Bisque on bisque

- **Frameless glass oven doors**



### GE Profile

#### 27" Built-In Double Oven

**JK955BF** Black on black

**JK955WF** White on white (not shown)

\* Among leading manufacturers' brands.

\*\* Among leading manufacturers' brands except 30" convection ovens.

Not all features available on all models. For additional features, specifications and color availability, refer to pages 186-187.

# Built-In Double Ovens: 27" Electric

**These models include** • The largest\* capacity wall oven in America! • Flush appearance installation • Fits most 27" cabinets  
 • TrueTemp™ system • Certified Sabbath mode • Control lock capability • Big ClearView™ windows • Variable broil

Note: bold = feature upgrade from previous model



The largest\* capacity wall oven in America gives you flexibility to cook more at once.



TrueTemp™ technology provides even heat distribution and maximum control.



Six-pass power bake provides unparalleled baking throughout the oven interior. The results are succulent, evenly cooked food.

## Self-Clean (Both Ovens)



### GE® 27" Built-In Double Oven

#### **JKP50SH** Stainless steel

- Two extra-large 3.9 cu. ft. self-clean ovens with delay self-clean
- Electronic oven controls
- Four embossed rack positions
- Two oven racks (each oven)

## Self-Clean (Both Ovens)



### GE 27" Built-In Double Oven

#### **JKP48BF** Black on black

- Two extra-large 3.9 cu. ft. self-clean ovens with delay self-clean
- Electronic oven controls
- Four embossed rack positions
- Two oven racks (each oven)

#### **JKP48CF** Bisque on bisque (not shown)

#### **JKP48WF** White on white (not shown)

## Self-Clean Upper/Standard Lower



### GE 27" Built-In Double Oven

#### **JKP28WF** White on white

- Two oven racks (each oven)
- Audible preheat signal

#### **Upper Oven**

- Extra-large 3.9 cu. ft. self-clean oven with Delay Clean option
- Electronic controls
- Delay bake

#### **Lower Oven**

- Extra-large 3.9 cu. ft. standard-clean oven
- Rotary control

#### **JKP28BF** Black on black (not shown)

\*Among leading manufacturers' brands except 30" convection ovens.

Not all features available on all models. For additional features, specifications and color availability, refer to pages 186-187.

# Built-In Single Ovens: 30" Electric

**These models include** • Bakes more evenly than any other convection wall oven\* • The largest\*\* capacity wall oven in America! • Flush appearance installation • Fits most 30" cabinets • TrueTemp™ system • Light self clean • Certified Sabbath mode • Control lock capability • Big ClearView window • Variable broil • **Convection cookbook** Note: bold = feature upgrade from previous model



Precise Air™ convection uses an innovative fan that reverses direction for optimal air and heat circulation.



Cook more at once! Take advantage of more oven capacity with the versatility of multiple rack positions.



CleanDesign oven interiors have a hidden bake element and a smooth, seamless surface, making cleanup easier than ever.

## Installation Flexibility

30" wall ovens can be installed in a wall or most 30" cabinets, or undercounter installation with either a gas or electric cooktop above. See page 185 for approved cooktop use.

\* Among leading manufacturers' brands.  
 \*\* Among leading manufacturers' brands except 30" convection ovens.

Not all features available on all models. For additional features, specifications and color availability, refer to pages 184-185.

## Self-Clean Convection



### GE Profile™ 30" Built-In Single Oven

**JT915SF** Stainless steel

- Extra-large 4.1 cu. ft. self-clean oven with Delay Clean option • Precise Air™ convection system
- **Single-rack and multi-rack convection bake**
- Convection Roast • Auto Recipe™ conversion
- **Proof mode** • **Warm mode** • Eight-pass bake element • Three heavy-duty oven racks
- **Electronic glass touch controls** • CleanDesign oven interior/hidden bake element • Stainless steel oven door • **Halogen oven light** • Oven meat probe
- Seven embossed rack positions



### GE Profile™ 30" Built-In Single Oven

**JT915WF** White on white

- Frameless glass oven door
- JT915CF** Bisque on bisque (not shown)  
**JT915BF** Black on black (not shown)



### GE Profile™ 30" Built-In Single Oven

**JT912BF** Black on black

- Extra-large 4.1 cu. ft. self-clean oven with Delay Clean option • Precise Air™ convection system
- **Convection bake** • Convection roast • Auto Recipe™ conversion • Eight-pass bake element • Three heavy-duty oven racks
- Electronic oven controls
- **CleanDesign oven interior/hidden bake element**
- **Frameless glass oven door** • Interior oven light
- **Oven meat probe** • Seven embossed rack positions

**JT912SF** Stainless steel (not shown)

**JT912WF** White on white (not shown)

**JT912CF** Bisque on bisque (not shown)



# Built-In Single Ovens: 30" Electric

- These models include** • The largest\* capacity wall oven in America! • Flush appearance installation • Fits most 30" cabinets
- **TrueTemp™ system** • Electronic oven controls • Certified Sabbath mode • Control lock capability • Big ClearView™ window
  - **Upfront interior oven light** • Variable broil Note: bold = feature upgrade from previous model



The largest\* capacity wall oven in America gives you flexibility to cook more at once.



TrueTemp™ technology provides even heat distribution and maximum control.

## Installation Flexibility

30" wall ovens can be installed in a wall or most 30" cabinets, or in an undercounter installation with either a gas or electric cooktop above. See page 185 for approved cooktop use.

## Self-Clean



## GE® 30" Built-In Single Oven

- JTP25SH** Stainless steel
- Stainless steel oven door • Extra-large 4.4 cu. ft. self-clean oven with light self-clean option • Two oven racks • Six embossed rack positions • Six-pass bake element

## Self-Clean



## GE® 30" Built-In Single Oven

- JTP20SF** Stainless steel with black accents
- Extra-large 4.4 cu. ft. self-clean oven with light self-clean option • Two oven racks • Six embossed rack positions • Six-pass bake element • Stainless steel oven door

## Self-Clean



## GE 30" Built-In Single Oven

- JTP20BF** Black on black
- Frameless glass oven door
- JTP20CF** Bisque on bisque (not shown)
- JTP20WF** White on white (not shown)

\*Among leading manufacturers' brands except 30" convection ovens.

Not all features available on all models. For additional features, specifications and color availability, refer to pages 184-185.

# Built-In Single Ovens: 27" Electric

**These models include** • Bakes more evenly than any other convection wall oven\* • **The largest\*\* capacity wall oven in America!** • **Flush appearance installation** • Fits most 27" cabinets • Electronic oven controls • **Certified Sabbath mode** • **Big ClearView window** • Variable broil • **Control lock capability** (except model JKS06) Note: bold = feature upgrade from previous model



The durable construction of the heavy-duty racks provides additional support for large cooking needs.



Certified Sabbath mode keeps food in accordance with kosher law.

## Installation Flexibility

27" wall ovens can be installed in a wall or 27" cabinet, or in an undercounter installation with either a gas or electric cooktop above. See page 189 for approved cooktop use.

## Self-Clean Convection



### GE Profile™ 27" Built-In Single Oven

- JK915SF** Stainless steel
- Extra-large 3.9 cu. ft. self-clean oven with Delay Clean option • **Precise Air™ convection system** • **Single-rack and multi-rack convection bake** • **Convection roast** • **Auto Recipe™ conversion** • **Electronic glass touch controls** • **Proof mode** • **Warm mode** • **Six-pass bake element** • **Three heavy-duty oven racks** • **Convection cookbook** • **CleanDesign oven interior/hidden bake element** • **Stainless steel oven door** • **Halogen oven light** • **Oven meat probe**

## Self-Clean Convection



### GE Profile 27" Built-In Single Oven

- JK915WF** White on white
- Frameless glass oven door
- JK915CF** Bisque on bisque (not shown)
- JK915BF** Black on black (not shown)

## Self-Clean



### GE 27" Built-In Single Oven

- JKP25SH** Stainless steel
- Extra-large 3.9 cu. ft. self-clean oven with light self-clean option • Two oven racks • Four embossed rack positions

## Self-Clean/Standard Clean



### GE 27" Built-In Single Oven

- JKP20CF** Bisque on bisque
- Extra-large 3.9 cu. ft. self-clean oven with light self-clean option • Two oven racks • Four embossed rack positions
- JKP20WF** White on white (not shown)
- JKP20BF** Black on black (not shown)
- JKS06BF** Black on black (not shown)
- Extra-large 3.9 cu. ft. standard-clean oven
  - Two oven racks

Not all features available on all models. For additional features, specifications and color availability, refer to pages 188-189.



## Built-In Double and Single Ovens: 24" Electric

### These models include

- Fits most 24" cabinets
- SmartSet electronic controls
- Frameless glass oven doors
- Designer-style handles
- Two oven racks (each oven)
- Variable broil

Note: bold = feature upgrade from previous model



SmartSet electronic controls are simple to understand and easy to use. Just read and touch.



### GE® 24" Built-In Double Oven

**JRP24BD** Black on black

#### Upper Oven

- Self-clean oven with Delay Clean option
- Control lock capability
- Delay Bake option with Cook & Hold

#### Lower Oven

- Standard-clean oven
- Rotary controls



### GE 24" Built-In Single Oven

**JRP15WW** White on white

- Self-clean oven with Delay Clean option

- Control lock capability
- Delay Bake option with Cook & Hold

**JRP15BW** Black on black (not shown)

**JRS04BW** Black on black (not shown)

- Standard-clean oven
- Delay Bake option with Cook & Hold

## Built-In Single Ovens: 24" Gas

### These models include

- Fits most 24" cabinets
- SmartSet electronic controls
- Electronic pilotless ignition
- Frameless glass oven door
- Designer-style handle

Note: bold = feature upgrade from previous model



Self-clean ovens provide easy clean convenience. Simply set the controls and the oven cleans itself.

Not all features available on all models. For additional features, specifications and color availability, refer to pages 188-190.



### GE 24" Built-In Single Oven

**JGRP17WEW** White on white

- Self-clean oven with Delay Clean option
- Control lock capability
- In-oven broiling
- Storage drawer

**JGRP17BEW** Black on black (not shown)



### GE 24" Built-In Single Oven

**JGRS14BEW** Black on black

- Standard-clean oven
- Separate broiler drawer



# Built-In Warming Drawers: 30" and 27" Electric

**These models include** • Flush appearance installation • Temperature control with proof and variable settings • Crisp/Moist humidity control • ON/OFF switch • "ON" indicator light • One-half rack • Frameless drawer front • Profile handle • Removable stainless steel drawer pan • Commercial pan set or wood panel kit (available at additional cost)



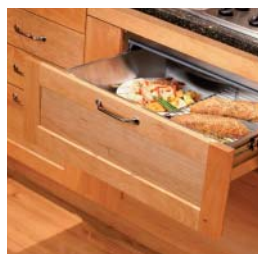
Half rack provides even heat distribution and allows extra space to keep food warm and tasty before serving.



Warming drawer keeps plates warm, ready and waiting to serve that special meal.



Hidden temperature control has proof and variable settings for warming flexibility.



Optional wood panel kit available for a custom built-in appearance.



## GE Profile™ Built-In Warming Drawer

- JTD915SF** Stainless steel
- 30" width
- JKD915SF** Stainless steel (not shown)
- 27" width



## GE Profile Built-In Warming Drawer

- JTD915WF** White on white
- 30" width
- JKD915WF** White on white (not shown)
- 27" width
- JTD915CF** Bisque on bisque (not shown)
- 30" width
- JKD915CF** Bisque on bisque (not shown)
- 27" width



## GE Profile Built-In Warming Drawer

- JTD915BF** Black on black
- 30" width
- JKD915BF** Black on black (not shown)
- 27" width

Not all features available on all models. For additional features, specifications and color availability, refer to page 191.

GE Profile™ and GE® cooktops cater to every cooking need and style.

**GE Profile™ and GE® cooktops make a dramatic difference in the kitchen, both in terms of appearance and performance.**

Distinguished by a continuous, smooth surface, these cooktops add immediate visual interest.

High-tech features include the Precise Digital Control System,™ an electronic sensor that automatically adjusts the size of the element to fit the pan, a sensor that indicates when an element is left on, and two convenient dual-size elements.



**Now you can enjoy the superior performance of gas, along with ease of cleaning.**

Thanks to GE innovation, serious cooks can make gas cooktops a prominent part of their kitchens without the usual worry about cleanability.

High-output or simmer burners give you precise control over heat intensity, while the smooth, sealed surface beneath these burners lets you control spills and messes. Professional-style continuous burner grates allow easy pot movement. And every model wipes clean, whether it's the deep recessed cooktop or the gas-on-glass style.







**Electric cooktops offer an array of convenient extras.**

Two dual elements let you match the element size to the size of the pan. Models with electronic controls also feature a cooking timer and lockout option. Models with a bridge element allow you to combine two elements into one large cooking surface.



**Gas cooktops provide outstanding performance.**

When it comes to power, our gas cooktops go to extremes. The 15,000-BTU burner supplies intense heat needed for sautéing and stir-frying. Gas cooktops also provide precise temperature control and consistent, gentle simmering.



# Built-In Cooktops: 36" and 30" Electric CleanDesign

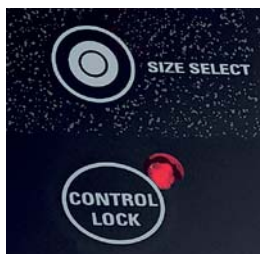
**These models include** • Smooth frameless ceramic-glass CleanDesign cooktop • Flush-mount installation capability (except Stainless steel models)  
 • Fingerprint- and scratch-resistant patterned glass cooktop • Hot surface indicator lights **Note: bold = feature upgrade from previous model**



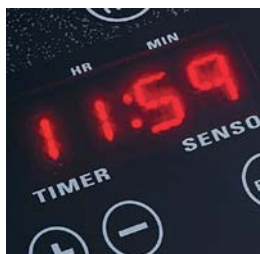
Precise Digital Control System™ is simple to understand and easy to operate. Just read and touch.



Pan presence sensor reminds you when an element is left on and automatically shuts it off when not in use.



Helps protect your family with control lock capability.



A convenient kitchen timer lets you set a reminder at the appropriate cooking time, making precision cooking easy.

Not all features available on all models. For additional features, specifications and color availability, refer to page 192.



## GE Profile™

### 36" Electronic Touch Control Cooktop

**JP969BH** Black on black

• Frameless cooktop • **Precise Digital Control System** • **Pan presence sensor** • **Pan size sensor** • **Control lockout** • **Kitchen timer** • Five ribbon heating elements: two 6", **one 7" with warmer**, one dual (6"/9") and one dual (5"/8") element

**JP969SH** Stainless steel (not shown)

**JP969WH** White on white (not shown)

**JP969CH** Bisque on bisque (not shown)



## GE Profile

### 36" Electric CleanDesign Cooktop

**JP961TH** True White

• Frameless true bisque cooktop • Five ribbon heating elements: two 6", one 7", one dual (6"/9") and one dual (5"/8") element

**JP961SH** Stainless steel (not shown)

**JP961KH** True Bisque (not shown)

**JP961BH** Black on black (not shown)



## GE Profile

### 36" Electric CleanDesign Cooktop

**JP960SC** Stainless steel

• Frameless cooktop • Five ribbon heating elements: one 6", one 7", one dual (6"/9") and two 7" with connecting bridge element

**JP960BC** Black on black (not shown)

**JP960TC** True white (not shown)

**JP960KC** True bisque (not shown)



## GE Profile

### 30" Electronic Touch Control Cooktop

**JP939WH** White on white

• Frameless cooktop • **Precise Digital Control System** • **Pan presence sensor** • **Pan size sensor** • **Control lockout** • **Kitchen timer**

• Four ribbon heating elements: one 6", one dual (6"/9"), one 7" and one dual (5"/8") element • Four hot surface indicator lights

**JP939SH** Stainless steel (not shown)

**JP939CH** Bisque on bisque (not shown)

**JP939BH** Black on black (not shown)



**GE Profile**

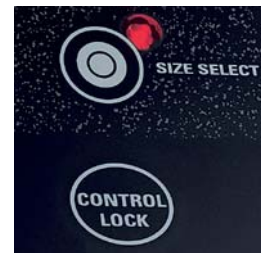
*30" Electric CleanDesign Cooktop*

**JP931SH** Stainless steel  
 • Frameless cooktop • Four ribbon heating elements: one 6", one 8", one dual (6"/9") and one dual (5"/8") element • Four hot surface indicator lights

**JP931TH** True white (not shown)

**JP931KH** True bisque (not shown)

**JP931BH** Black on black (not shown)



Energy-efficient pan size sensor selects a 6" or 9" element to match the pan you are using.



**GE Profile**

*30" Electric CleanDesign Cooktop*

**JP930TC** True white  
 • Frameless cooktop • Four ribbon heating elements: one 6", one dual (6"/9") and two 7" with connecting bridge element • Four hot surface indicator lights

**JP930SC** Stainless steel (not shown)

**JP930KC** True bisque (not shown)

**JP930BC** Black on black (not shown)



Flush-mount trim kit creates a stunning visual effect. (Not available on stainless steel models)



**GE Profile**

*30" Electric CleanDesign Cooktop*

**JP350KC** True bisque  
 • Frameless cooktop • Four ribbon heating elements: one dual (6"/9"), two 8" and one 6" • Four hot surface indicator lights

**JP350SC** Stainless steel (not shown)

**JP350TC** True white (not shown)

**JP350WC** White on white (not shown)

**JP350BC** Black on black (not shown)



Bridge element for total cooking flexibility.



**GE®**

*30" Electric CleanDesign Cooktop*

**JP340WC** White on white  
 • Frameless cooktop • Four ribbon heating elements: two 6" and two 8" • Hot surface indicator light

**JP340BC** Black on black (not shown)

**JP340CC** Bisque on bisque (not shown)



Dual element allows you the choice of using a 6" or 9" element.



## Built-In Cooktops: 36" and 30" Electric Coil

**These models include** • Porcelain-enameled lift-up cooktop • Two 8" and two 6" plug-in heating elements

• Infinite heat rotary controls

**Note: bold = feature upgrade from previous model**



Cooktop filler trim kit available to fill in oversized cutout left by an older cooktop.



GE®  
36" Electric Coil Cooktop

**JP626WF** White on white

• One-piece chrome drip bowls • Upfront color-matched glass control panel

**JP626CF** Bisque on bisque (not shown)



GE  
30" Electric Coil Cooktop

**JP328SF** Stainless steel

• One-piece chrome drip bowls • Upfront color-matched glass control panel

**JP328BF** Black on black (not shown)

**JP328WF** White on white (not shown)

**JP328CF** Bisque on bisque (not shown)

## Built-In Cooktops: 21" Compact



GE  
21" Electric Coil Cooktop

**JP201CB** Stainless steel

• One 8" and one 6" plug-in heating element  
• Infinite heat rotary controls • Removable one-piece chrome drip bowls • Heating element "ON" indicator light

**JP202D** White on white (not shown)

Not all features available on all models.  
For additional features, specifications and color availability, refer to page 193.

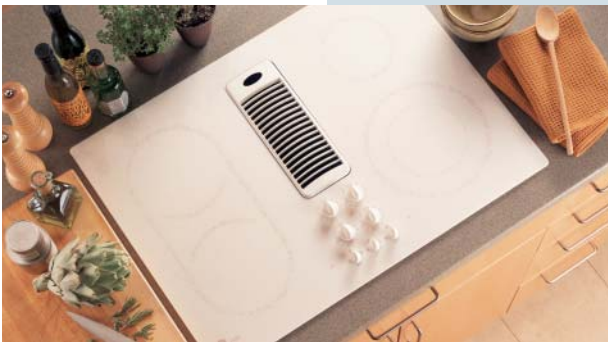


## Built-In Cooktops: 30" Electric Downdraft

**These models include** • Smooth frameless ceramic-glass CleanDesign cooktop • Four ribbon heating elements: one 6", one dual (6"/9") and two 7" with connecting bridge element • Four hot surface indicator lights • Powerful 400-CFM downdraft venting system • Three-speed fan • Upfront controls



**GE Profile™**  
**30" Electric Downdraft Cooktop**  
**JP989SD** Stainless steel  
**JP989TD** True white (not shown)  
**JP989BD** Black on black (not shown)



**GE Profile**  
**30" Electric Downdraft Cooktop**  
**JP989KD** True bisque

## Built-In Cooktops: 30" Gas Downdraft

**These models include** • Ceramic-glass cooktop • Four sealed gas burners • Continuous cast-iron grates • Electronic pilotless ignition • Powerful 400-CFM downdraft venting system • Three-speed fan • Upfront controls

**Note: bold = feature upgrade from previous model**



**GE Profile**  
**30" Gas Downdraft Cooktop**  
**JGP989TC** True white  
**JGP989KC** True bisque (not shown)



**GE Profile**  
**30" Gas Downdraft Cooktop**  
**JGP989BC** Black on black

# Built-In Cooktops: 36" Gas

*These models include* • Sealed burners • Electronic pilotless ignition

Note: bold = feature upgrade from previous model



Precise Simmer burner keeps delicate foods like sauces and gravies at a low setting.



Power Boil™ burner 15,000 BTU burner heats up fast with high power for skillets, woks or large pots.



GE glass cooktops are sleek and easy to clean. The flat surface and sealed burners make cleanup a snap.



## GE Profile™

### 36" Deep Stainless Gas Cooktop

**JGP963SEF** Stainless steel

• **Deep stainless cooktop** • Continuous deluxe cast-iron grates • Five sealed gas burners • 15,000 BTU Power Boil™ burner • High Output burner • Two Precise Simmer burners • Dishwasher-safe grates



## GE Profile

### 36" Deep Porcelain Gas Cooktop

**JGP963BEC** Black on black

• **Deep porcelain cooktop** • Continuous deluxe cast-iron grates • Five sealed gas burners • 15,000 BTU Power Boil burner • High Output burner • Two Precise Simmer burners • Dishwasher-safe grates

**JGP963WEC** White on white (not shown)

**JGP963CEC** Bisque on bisque (not shown)



## GE Profile

### 36" Gas on Glass Cooktop

**JGP962SEC** Stainless steel

• **Gas on glass ceramic cooktop** • **Continuous deluxe cast-iron grates** • Five sealed gas burners • **15,000 BTU Power Boil burner** • **High Output burner** • Two Precise Simmer burners • **Dishwasher-safe grates**

**JGP962TEC** True white (not shown)

**JGP962KED** True bisque (not shown)

**JGP962BEC** Black on black (not shown)





GE®  
 36" Gas Cooktop  
**JGP960SED** Stainless steel  
 • Tempered glass cooktop • Deluxe cast-iron  
 grates • Five sealed gas burners • Two Precise  
 Simmer burners • High Output burner



GE  
 36" Gas Cooktop  
**JGP636CED** Bisque  
 • Tempered glass cooktop • Deluxe cast-iron  
 grates • Five sealed gas burners • Two Precise  
 Simmer burners • High Output burner  
**JGP636WED** White on white (not shown)  
**JGP636BED** Black on black (not shown)



GE  
 36" Deep Porcelain Gas Cooktop  
**JGP628CEC** Bisque  
 • Deep porcelain cooktop • Precise Simmer  
 burner • Continuous grates  
**JGP628WEC** White on white (not shown)  
**JGP628BEC** Black on black (not shown)



# Built-In Cooktops: 30" Gas

*These models include* • Sealed burners (except JGP320) • Electronic pilotless ignition

Note: bold = feature upgrade from previous model



Precise Simmer burner keeps delicate foods like sauces and gravies at a low setting.



## GE Profile™ 30" Deep Stainless Gas Cooktop

**JGP933SEF** Stainless steel  
 • Deep stainless cooktop • Continuous deluxe cast-iron grates • Four sealed gas burners • 15,000 BTU Power Boil burner • High Output burner • Precise Simmer burner • Dishwasher-safe grates

**JGP933WEC** White on white (not shown)  
 • Deep porcelain cooktop

**JGP933CEC** Bisque on bisque (not shown)  
**JGP933BEC** Black on black (not shown)



Power Boil™ burner 15,000 BTU burner heats up fast with high power for skillets, woks or large pots.



## GE Profile 30" Gas on Glass Cooktop

**JGP932KED** True bisque  
 • Gas on glass ceramic cooktop • Continuous deluxe cast-iron grates • Four sealed gas burners • 15,000 BTU Power Boil burner • High Output burner • Precise Simmer burner • Dishwasher-safe grates

**JGP932TEC** True white (not shown)



GE glass cooktops are sleek and easy to clean. The flat surface and sealed burners make cleanup a snap.



## GE Profile 30" Gas on Glass Cooktop

**JGP932BEC** Black on black  
 • Gas on glass ceramic cooktop • Continuous deluxe cast-iron grates • Four sealed gas burners • 15,000 BTU Power Boil burner • High Output burner • Precise Simmer burner • Dishwasher-safe grates

**JGP932SEC** Stainless steel (not shown)



## GE® 30" Gas Cooktop

**JGP930SED** Stainless steel  
 • Tempered glass cooktop • Deluxe cast-iron grates • Four sealed gas burners • Precise Simmer burner • High Output burner

Not all features available on all models. For additional features, specifications and color availability, refer to page 196.



GE  
 30" Gas Cooktop  
**JGP336WED** White on white  
 • Tempered glass cooktop • Deluxe cast-iron grates • Four sealed gas burners • Precise Simmer burner • **High Output burner**  
**JGP336CED** Bisque on bisque (not shown)  
**JGP336BED** Black on black (not shown)



GE  
 30" Deep Porcelain Gas Cooktop  
**JGP328BEC** Black on black  
 • **Deep porcelain cooktop** • Four sealed gas burners • Precise Simmer burner • **Continuous grates**  
**JGP328WEC** White on white (not shown)  
**JGP328CEC** Bisque on bisque (not shown)



GE  
 30" Gas Cooktop  
**JGP326WEF** White on white  
 • Four sealed gas burners • **Precise Simmer burner**  
**JGP326CEF** Bisque on bisque (not shown)  
**JGP326BEF** Black on black (not shown)



GE  
 30" Gas Cooktop  
**JGP320EV** White or black  
 • Lift-up cooktop • Glass control panel • Standard porcelain-steel grates • Four standard gas burners



# Built-In Cooktops: Downdraft Electric Select-Top™ Modular

**These models include** • Infinite heat rotary controls • Powerful 400-CFM downdraft venting system  
 • Heating element "ON" indicator light **Note: bold = feature upgrade from previous model**

## Optional Select-Top™ Modules (available at additional cost)



**Grill Module**  
 Front and rear controlled heating element for more cooking flexibility and energy savings. One-piece grill grate and porcelain-enameled reflector pan can be removed for cleaning in sink or dishwasher.



**Griddle Accessory**  
 (For use with optional grill module) Place over heating element and reflector pan from optional grill module. Griddle accessory has a non-stick coating and is self-draining.



**Ribbon Module**  
 Patterned glass top with one 8" and one 6" ribbon heating element.



**Coil Module**  
 One 8" and one 6" plug-in coil heating element with removable one-piece drip bowls.



**Grill Cover**  
 Covers grill area when not in use. Available in Black on black and White on white.



**GE®**  
**30" Dual Modular Cooktop**  
**JP389WD** White on white  
 • Three-speed fan • Porcelain-enameled cooktop  
 • Both sides accept optional cooking modules  
 Shown with optional Ribbon module JXDR50VW and Grill module JXDL44N.



**GE**  
**30" Dual Modular Cooktop**  
**JP389BD** Black on black  
 • Three-speed fan • Porcelain-enameled cooktop  
 • Both sides accept optional cooking modules  
 Shown with optional Ribbon modules JXDR50VB.

Optional Modules (available at additional cost)	Models	
	<b>JP389WD</b>	<b>JP389BD</b>
<b>Coil Module</b>	JXDC44RWH	JXDC43RBL
<b>Ribbon Module</b>	JXDR50VW	JXDR50VB
<b>Grill Module</b>	JXDL44N	JXDL44N
<b>Griddle Accessory</b>	JXDD44R	JXDD44R
<b>Grill Cover</b>	JXDM3	JXDM2

For additional features, specifications and color availability, refer to page 197.



# Built-In Cooktops: 30" Downdraft Gas Modular

**These models include** • Gas cooktop burner module (right side) • Left side accepts optional cooking modules • Powerful downdraft venting • Electronic pilotless ignition • Upfront controls

**Note: bold = feature upgrade from previous model**



**GE Profile™**  
**30" Single Modular Gas Cooktop**  
**JGP979SEF** Stainless steel

Shown with optional Grill module JXGG79.  
 Note: Unit not LP convertible.



**GE Profile**  
**30" Single Modular Gas Cooktop**  
**JGP979WEF** White on white

Shown with optional Grill module JXGG79.  
**JGP979BEF** Black on black (not shown)  
 Note: Unit not LP convertible.

**Optional Modules**  
 (available at additional cost)

- Two-burner gas module  
 JXGB79W—White on white  
 JXGB79B—Black on black
  - Gas grill module  
 JXGG79
  - Griddle for use with optional Grill module  
 JXGL79
  - Grill Cover  
 JXGC89W—White on white  
 JXGC89B—Black on black
- Note: Grill and griddle feature Excalibur® non-stick finish.

## Common Cooktop Cutouts

### Common Cutouts—30" Cooktops

Dimensions (W x D)	Model #	Description
28-1/2" x 19-5/8"	JP939	CleanDesign
	JP931	CleanDesign
	JP930	CleanDesign
	JP350	CleanDesign
	JP340	CleanDesign
	JP328	Calrod®
	JGP933—Gas	Sealed Burner
	JGP932—Gas	Sealed Burner
	JGP930—Gas	Sealed Burner
	JGP336—Gas	Sealed Burner
	JGP328—Gas	Sealed Burner
	JGP326—Gas	Sealed Burner
	JGP320—Gas	Standard Burner
	28-7/8" x 20-5/8"	JP989
JP389		Modular Downdraft
JGP989—Gas		Gas Downdraft
29" x 21"	JGP979—Gas	Modular Downdraft

### Common Cutouts—36" Cooktops

Dimensions (W x D)	Model #	Description
33-7/8" x 19-1/8"	JP969	CleanDesign
	JP961	CleanDesign
	JP960	CleanDesign
	JP626	Calrod®
	JGP963—Gas	Sealed Burner
	JGP962—Gas	Sealed Burner
	JGP960—Gas	Sealed Burner
	JGP636—Gas	Sealed Burner
	JGP628—Gas	Sealed Burner

For additional features, specifications and color availability, refer to page 198.

## GE® Slide-In and Drop-In Ranges

### The perfect fit.

GE slide-in and drop-in ranges fit every kitchen decor and cooking style. Slide-in ranges are available in electric or gas configurations and they install nearly flush with surrounding cabinetry and counters, creating a dramatic effect. Accenting the contemporary design is the sleek stainless exterior, which complements just about any color or wood finish.



*GE slide-in and drop-in ranges give the effect of added space, opening up kitchens and making them more inviting.*



Versatile features are the key ingredients to our slide-in and drop-in ranges.



**Precise Air™ convection**

This exclusive system uses an innovative fan that rotates one way, then reverses direction for optimal air and heat circulation. Plus, a third heating element surrounds the fan and delivers consistent heat for true European convection.



**Electric cooktop versatility**

Innovative heating elements make cooktop cooking easy. Combine two separate elements into one large bridge element, adjust a dual element to 6" or 9", or use a convenient fifth warming element for keeping foods warm and ready to serve.



**Electronic control panel**

The electronic control panel is innovatively styled with glass touch controls, a digital display and sleek, easy-turn dials. Plus, it's ergonomically angled for optimal, user-friendly operation.



**Gas cooktop versatility**

Four convenient burner sizes satisfy every cooktop need from boiling to simmering. The continuous grate surface makes it easy to slide pans between burners.



# Slide-In Ranges: 30" Electric

*These models include* • TrueTemp™ system • **Big ClearView™ window** • **Four hot surface indicator lights** • **Fingerprint- and scratch-resistant patterned ceramic-glass CleanDesign cooktop** • **Optional closed door broiling** • **Certified Sabbath mode** • **Extra-large self-clean oven with Delay Clean option** • **Control lock capability** • **Custom built-in look with simple slide-in installation** Note: bold = feature upgrade from previous model



Bridge element for total cooking flexibility.



The warming zone is a great way to keep food warm and ready to enjoy or melt butter or chocolate.



Fast and easy cleanup is made possible through our CleanDesign oven interior/hidden bake element.



Optional backguard kit attaches to the back of range when unit is installed into a free-standing cutout.



## GE Profile™

30" Slide-In CleanDesign Convection Range

**JS968SF** Stainless steel

- Precise Air™ convection system • **Single-rack and multi-rack convection bake** • Convection Roast
- Auto Recipe™ conversion • **Proof mode** • **Warm mode** • **Stainless steel oven door with window**
- **Three heavy-duty racks** • **Halogen interior oven light** • **Electronic glass touch controls** • **Two 7" ribbon heating elements with connecting bridge element** • **One dual (6"/9") and one 6" ribbon heating element** • **Fifth element warming zone**
- CleanDesign oven interior/hidden bake element



## GE Profile

30" Slide-In CleanDesign Convection Range

**JS968TF** True white

**JS968KF** True bisque (not shown)

**JS968BF** Black on black (not shown)



## GE Profile

30" Slide-In CleanDesign Electric Range

**JSP47CF** Bisque on bisque

- Electronic controls • **Two 8", one 6" and one dual (6"/9") ribbon heating element**
- **Frameless glass oven door**

**JSP47WF** White on white (not shown)

**JSP47BF** Black on black (not shown)

# Slide-In Ranges: 30" Electric

**These models include** • Lift-up overhanging porcelain-enameled cooktop • Two 8" and two 6" plug-in Calrod® heating elements  
 • Electronic clock and kitchen timer • Custom built-in look with simple slide-in installation **Note: bold = feature upgrade from previous model**



Optional backguard kit for use with or without countertop backsplash.



Optional end cap kit for use when countertop has been notched for end caps.



Vertical side trim kit to close gap between range and adjacent base cabinet.



## GE® 30" Slide-In Electric Coil Range

**JSP34WD** White on white  
 • Electronic controls • Self-clean oven with Delay Clean option • Frameless glass oven door with designer-style handle • Control lock capability

**JSP34CD** Bisque on bisque (not shown)

**JSP34BD** Black on black (not shown)



## GE 30" Slide-In Electric Coil Range

**JSP26BD** White or Bisque  
 • **Electronic controls** • **Self-clean oven with Delay Clean option** • **Control lock capability** • **Frameless glass oven door with designer-style handle**



## GE 30" Slide-In Electric Coil Range

**JSS26BD** Black on black  
 • Standard-clean oven • **Frameless glass oven door with designer-style handle**

**JSS16PD** White or Bisque (not shown)  
 • Standard-clean oven • Color-matched oven door  
 • Visor handle

Not all features available on all models. For additional features, specifications and color availability, refer to pages 199-200.

# Slide-In Ranges: 30" Dual-Fuel

**These models include** • Gas cooktop • **Precise Air™ electric convection system** • TrueTemp™ system • Electronic controls • Extra-large self-clean oven • Electronic clock and automatic oven timer • Sealed burners • Continuous grates • Power Boil™ 15,000 BTU burner • **Precise Simmer burner** • High Output burner • Three oven racks • Six embossed rack positions • In-oven broiling • Extra-large broiler pan with grid • Interior oven light • Electronic pilotless ignition • Certified Sabbath mode

**Note: bold = feature upgrade from previous model**



Precise Air™ convection uses an innovative fan that reverses direction for optimal air and heat circulation.



Power Boil™ burner with 15,000 BTU, provides maximum output for fast heat-up and boiling.



Precise Simmer burner allows for low, even heat distribution for delicate foods and sauces.



Upfront glass touch controls look great and are easy to clean.



## GE Profile™ 30" Slide-In Dual-Fuel Range

**J2S968SH** Stainless steel

• **Precise Air electric convection system** • **Electric Convection Bake** • **Electric Convection Roast** • Auto Recipe™ conversion • Warm mode • Proof mode • Gas on glass cooktop • Stainless steel oven door with Big ClearView™ window • Oven meat probe



## GE Profile™ 30" Slide-In Dual-Fuel Range

**J2S968BH** Black on black

• Frameless glass oven door with Big ClearView™ window • Glass touch controls



## GE Profile™ 30" Slide-In Dual-Fuel Range

**J2S968KH** True bisque

**J2S968TH** True white (not shown)



# Slide-In Ranges: 30" Gas

**These models include** • Electronic pilotless ignition • **Frameless glass oven door with window** • Interior oven light • Broiler pan with grid

Note: bold = feature upgrade from previous model

Refrigeration

Slide-In Ranges

Microwave Ovens

Dishwashers

Clothes Care

Water Systems

Air Conditioning



Power Boil™ and high output burners supply the intense heat needed for boiling and sautéing.



Sealed burner design helps contain spills from dripping beneath cooktop for easy cleaning.



Extra-large capacity allows you to cook more at once.



**GE Profile™**  
30" Slide-In Gas Range

- JGS968TH** True white
- **Power Boil™ burner** • High Output burner
- **Precise Simmer burner** • Sealed burners
- Continuous grates • Gas on glass cooktop
- **Convection bake** • **Convection roast** • **Auto Recipe™ conversion** • **Warm mode** • **Proof mode**
- **Glass touch controls** • TrueTemp system
- JGS968KH** True bisque (not shown)
- JGS968SH** Stainless steel (not shown)
- JGS968BH** Black on black (not shown)



**GE Profile™**  
30" Slide-In Gas Range

- JGSP48BH** Black on black
- **Two High Output burners** • **Precise Simmer burner** • **Sealed burners** • **Continuous grates**
- **Gas on glass cooktop** • Electronic oven controls
- TrueTemp system • Self-clean oven with light self-clean option • Frameless glass oven door with Big ClearView window • Control lock capability
- Certified Sabbath mode
- JGSP48CH** Bisque on bisque (not shown)
- JGSP48WH** White on white (not shown)



**GE®**  
30" Slide-In Gas Range

- JGSP23WEY** White on white
- **SmartSet electronic controls** • **Sealed burners**
- **Standard Simmer burner** • **Self-clean oven**
- **Control lock capability** • **Standard-cast grates**
- **Storage drawer**
- JGSP23BEY** Black on black (not shown)
- JGSP23CEY** Bisque on bisque (not shown)



**GE**  
30" Slide-In Gas Range

- JGSS05BEH** Black on black
- Extra-large standard-clean oven • Black porcelain-enameled lift-up cooktop • Separate broiler drawer with extra-large broiler pan and grid • Standard porcelain-steel grates

Models shown with required filler strip provided.

Not all features available on all models. For additional features, specifications and color availability, refer to pages 201-202.

# Drop-In Ranges: 30" Electric

## These models include

- SmartSet electronic controls
- Self-clean oven with delay option
- Control lock capability

Note: bold = feature upgrade from previous model



Electronic controls are simple to understand and easy to operate. Just read and touch.



The warming zone is a great way to keep food warm and ready to enjoy.



Bridge element for total cooking flexibility.



Fast and easy cleanup is made possible through our CleanDesign oven interior/hidden bake element.

Not all features available on all models. For additional features, specifications and color availability, refer to pages 203-204.



### GE Profile 30" Drop-In Convection Range

- JD968SF** Stainless steel
- **Precise Air™** convection system
  - **Single-rack and multi-rack convection bake**
  - **Convection roast**
  - **Auto Recipe™** conversion
  - **Electronic glass touch controls**
  - **Proof mode**
  - **Warm mode**
  - **Stainless steel oven door with window**
  - **Three heavy-duty racks**
  - **Halogen interior oven light**
  - **Certified Sabbath mode**
  - **Two 7" ribbon heating elements with connecting bridge element**
  - **One dual (6"/9") and one 6" ribbon heating element**
  - **Fifth element warming zone**
  - **CleanDesign oven interior/hidden bake element**

- JD968TF** True white (not shown)  
**JD968KF** True bisque (not shown)  
**JD968BF** Black on black (not shown)



### GE Profile 30" Drop-In Electric Range

- JDP47CF** Bisque on bisque
- **Extra-large self-clean oven with Delay Clean option**
  - **Two 8", one 6" and one dual (6"/9") ribbon heating element**
  - **Four hot surface indicator lights**
  - **Fingerprint- and scratch-resistant ceramic-glass CleanDesign cooktop**
  - **Frameless glass oven door with Big ClearView™ window**
  - **Certified Sabbath mode**

- JDP47WF** White on white (not shown)  
**JDP47BF** Black on black (not shown)



### GE 30" Drop-In Electric Range

- JDP39BW** Black on black
- **Lift-up overhanging cooktop**
  - **Two 8" and two 6" plug-in heating elements**
  - **Removable one-piece drip bowls**
  - **Frameless glass oven door with window**
  - **Designer-style handle**

- JDP39WW** White on white (not shown)



### GE 30" Drop-In Electric Range

- JDP36BW** White
- **Lift-up overhanging cooktop**
  - **Two 8" and two 6" plug-in heating elements**
  - **Removable one-piece drip bowls**
  - **Frameless glass oven door with window**
  - **Designer-style handle**

- JDP36BD** Bisque (not shown)  
**JDS26BW** White (not shown)  
 • Standard-clean oven  
**JDS26BD** Bisque (not shown)  
 • Standard-clean oven



# Drop-In Spacemaker™ Ranges: 27" Electric

**These models include** • Lift-up overhanging porcelain-enameled cooktop • One 8" and three 6" plug-in Calrod® heating elements  
 • Frameless glass oven door • Big View window • Chrome drip bowls **Note: bold = feature upgrade from previous model**



Electronic oven control provides convenient cooking functions.



Calrod® heating elements unplug for easy removal of one-piece drip bowls for cleaning and access to the subtop.



## GE Profile™ 27" Drop-In Electric Range

**JMP31WC** White on white

- Self-clean oven with automatic oven door lock
- Electronic clock and kitchen timer • Auto oven shut-off • **Sure Grip designer-style handle**



## GE® 27" Drop-In Electric Range

**JMP28BC** White

- Self-clean oven with automatic oven door lock
- Electronic clock and minute timer • Auto oven shut-off

**JMP28BD** Bisque (not shown)



## GE® 27" Drop-In Electric Range

**JMS08BD** Bisque or White (not shown)

- Standard-clean oven

## Optional Backguards

White or black painted finish is available at additional cost for all models.

JX27RWH – White, JX27RBK – Black

Not all features available on all models. For additional features, specifications and color availability, refer to page 205.



**B**reathe new life into electric cooking with GE ranges.

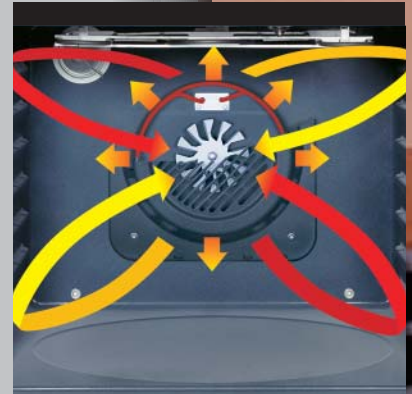
From top to bottom, GE electric ranges offer many versatile and convenient options. It begins with the **Precise Digital Control System™**, providing accurate temperature control. The impressively large, **self-clean oven** allows you to cook more dishes at once – and clean it with incredible ease! When it comes to performance, look no further than the **Precise Air™ convection system**. It achieves optimal

air and heat circulation for superior baking and roasting. And on the cooktop, you'll discover the amazing **tri-ring element** that gives you the flexibility of a 5", 7" or 9" heating element.



#### Precise Air convection system

Uses an innovative fan that reverses direction for optimal air and heat circulation. These ranges bake more evenly than any other convection free-standing range.\*



#### Precise Digital Control System

Better than traditional cooktop controls, this system delivers accurate control on the cooktop, ensuring even heating and less temperature variation.



#### Self-clean heavy-duty oven racks

Clean your oven and the racks! Made from the same material as the oven interior, these racks can remain in the oven during the self-clean mode.



#### Capacity

The super-large capacity oven, featuring six adjustable rack positions, gives you the flexibility to cook more at once.





Refrigeration

Free-Standing Electric Ranges

Microwave Ovens

Dishwashers

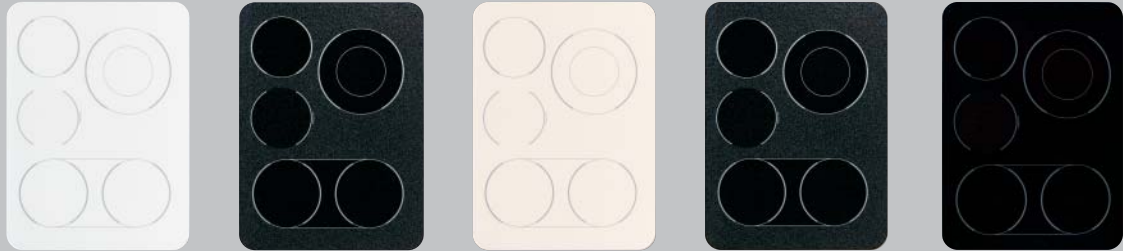
Clothes Care

Water Systems

Air Conditioning

A simple guide to free-standing electric cooktop colors

GE Cooktop Colors



True White      White      True Bisque      Bisque      Black/Stainless Steel

GE Profile Cooktop Colors



True White      True Bisque      Black/Stainless Steel

Note: Cooktop features vary by model.

A simple guide to GE’s QuickSet oven controls



- QuickSet III**
- Dual element bake
  - Digital temperature display with recall
  - Oven preheat light
  - Electronic digital clock
  - Electronic reminder timer, up to 12 hours
  - Audible preheat signal
  - 12-Hour automatic oven shut-off
  - Self-clean countdown digital display, including cool down
  - Auto self-clean



- QuickSet IV**
- QuickSet III, plus:
- Delay bake
  - Delay self-clean
  - Adjustable self-clean cycle time



- QuickSet V**
- QuickSet IV, plus:
- Auto self-clean
  - Large digital temperature display
  - Variable broil



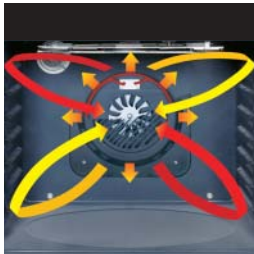
- QuickSet VI**
- QuickSet V, plus:
- Temperature probe
  - Extra-large graphics and touch pads
  - Digital glass touch pad control (0-9) entry
  - Oven function icons



# CleanDesign: Convection

**These models include** • The most dependable ranges you can buy! • TrueTemp™ system • Dual element bake • Six-pass power bake element • SmartLogic™ electronic control • **Warm mode** • Certified Sabbath mode • Easy-view hot lights • One-piece upswept cooktop • Ceramic-glass cooktop • **Light self-clean option** • **Automatic self-clean oven latch** • **Automatic oven light/pad** • Frameless glass oven door • **Big ClearView™ window** • **Sculptured handle** • Removable full-width storage drawer • Audible preheat signal • **Control lock capability**

Note: bold = feature upgrade from previous model



Precise Air™ convection uses an innovative fan that reverses direction for optimal air and heat circulation.



Precise Digital Control System™ is better than traditional cooktop controls.



Tri-ring element offers a choice of a 5", 7", or 9" heating element.



Bakes more evenly than any other convection free-standing range.\*

\*Among leading manufacturers' brands

Not all features available on all models. For additional features, specifications and color availability, refer to pages 202-203.



## GE Profile™ 30" Free-Standing CleanDesign Convection Range

**JB988SH** Stainless steel  
 • Extra-large 4.5 cu. ft. capacity self clean oven  
 • **Precise Digital Control System™** • **Tri-ring 5"/7"/9" heating element** • Precise Air™ convection system  
 • Single/multi-rack convection bake • Convection roast • Three self-clean heavy-duty oven racks • Auto Recipe™ conversion • CleanDesign interior/hidden bake element • Proof mode • **Range lockout** • Oven meat probe

**JB988TH** True white (not shown)  
**JB988KH** True bisque (not shown)  
**JB988BH** Black on black (not shown)



## GE Profile™ 30" Free-Standing CleanDesign Convection Range

**JB968SH** Stainless steel  
 • Extra-large 4.5 cu. ft. capacity self clean oven  
 • **Precise Air™ convection system** • **Single/multi-rack convection bake** • **Convection roast** • QuickSet VI glass touch controls • **Two 7" elements with connecting bridge element** • Dual 6"/9" element • Warming zone • **Three self-clean heavy-duty oven racks** • **Auto Recipe conversion** • **CleanDesign interior/hidden bake element** • **Proof mode** • **Oven meat probe**

**JB968TH** True white (not shown)  
**JB968KH** True bisque (not shown)  
**JB968BH** Black on black (not shown)



## GE Profile™ 30" Free-Standing CleanDesign Electric Range

**JB905KH** True bisque  
 • **Super-large 5.0 cu. ft. self-clean capacity oven**  
 • **QuickSet VI glass touch controls** • Dual 6"/9" element • Warming zone • **Two heavy-duty oven racks**

**JB905SH** Stainless steel (not shown)  
**JB905TH** True white (not shown)  
**JB905BH** Black on black (not shown)

Refrigeration

Free-Standing Electric Ranges

Microwave Ovens

Dishwashers

Clothes Care

Water Systems

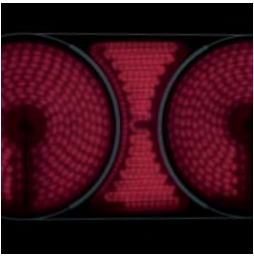
Air Conditioning

# CleanDesign

**These models include** • The most dependable ranges you can buy! • TrueTemp™ system • Self-clean oven • **Warming zone** • Dual element bake • Six-pass power bake element • **SmartLogic™ electronic control** • Certified Sabbath mode • Easy-view hot lights • One-piece upswept cooktop • Ceramic-glass cooktop • Oven light • Big ClearView™ window • Storage drawer Note: bold = feature upgrade from previous model



True European convection delivers consistent heat, cooking foods to absolute perfection.



A simple switch bridges two elements into one large cooking surface.



This warming zone keeps foods warm and ready to serve.



TrueTemp system provides even heat distribution for maximum oven control.



## GE® 30" Free-Standing Convection Range

### JBP84SH Stainless Steel

- Extra-large 4.5 cu. ft. self-clean capacity oven • **Convection bake**
- **Convection roast** • Two 7" ribbon heating elements with connecting bridge element • Dual 6"/9" heating element
- **QuickSet V oven controls** • **Three oven racks** • Stainless steel oven door • Control lock capability

- JBP84TH True white (not shown)
- Frameless glass oven door

- JBP84BH Black on black (not shown)

- JBP84WH White on white (not shown)

- JBP84KH True bisque (not shown)

- JBP84CH Bisque on bisque (not shown)



## GE 30" Free-Standing Electric Range

### JBP82BH Black on black

- Super-large 5.0 cu. ft. capacity oven • **Two 7" ribbon heating elements with connecting bridge element** • Dual 6"/9" heating element • **QuickSet IV oven controls** • **Control lock capability** • Frameless glass oven door with designer-style handle

- JBP82TH True white (not shown)

- JBP82WH White on white (not shown)

- JBP82KH True bisque (not shown)

- JBP82CH Bisque on bisque (not shown)

- JBP82SH Stainless steel (not shown)

- Stainless steel oven door



## GE 30" Free-Standing Electric Range

### JBP80CH Bisque on bisque

- Super-large 5.0 cu. ft. capacity oven • Dual 6"/9" ribbon heating element • **QuickSet IV oven controls**
- Frameless glass oven door with designer-style handle

- JBP80SH Stainless steel (not shown)

- Stainless steel oven door

- JBP80TH True white (not shown)

- JBP80WH White on white (not shown)

- JBP80KH True bisque (not shown)

- JBP80BH Black on black (not shown)

Not all features available on all models. For additional features, specifications and color availability, refer to pages 202-203.

# CleanDesign

**These models include** • The most dependable ranges you can buy! • Super-large 5.0 cu. ft. capacity oven • Self-clean oven • Dual element bake • **One-piece upswept cooktop** • **Patterned ceramic-glass cooktop** • **Easy-view hot lights** • Frameless glass oven door with designer-style handle • Storage drawer • Certified Sabbath mode • **Audible preheat signal** Note: bold = feature upgrade from previous model



More cooking capacity gives you the ability to cook more at once.



TrueTemp™ system provides even heat distribution and maximum oven control.



Six-pass power bake provides more power, total coverage and even cooking.



Dual element bake for even baking and roasting.

### Accessory Information

For easy cleaning of the cooktop, GE provides one cleaning pad and one 2.5-oz. bottle of cleaning creme with each range. For additional supply, call toll-free 1-800-626-2002.

Not all features available on all models. For additional features, specifications and color availability, refer to pages 202-203.



### GE® 30" Free-Standing Electric Range

**JBP69SH** Stainless steel  
• **One 6"/9" dual, one 8" and two 6" ribbon heating elements** • TrueTemp™ system • QuickSet IV oven controls • Six-pass power bake element • Big ClearView™ window • Oven light

**JBP69WH** White on white (not shown)

**JBP69CH** Bisque on bisque (not shown)

**JBP69BH** Black on black (not shown)



### GE 30" Free-Standing Electric Range

**JBP66WH** White on white  
• TrueTemp system • QuickSet IV oven controls  
• Two 8" and two 6" ribbon heating elements  
• Six-pass power bake element • Big ClearView window • Oven light

**JBP66SH** Stainless Steel (not shown)

**JBP66CH** Bisque on bisque (not shown)

**JBP66BH** White or Bisque (not shown)



### GE 30" Free-Standing Electric Range

**JBP64WH** White on white  
• QuickSet III oven controls • Two 8" and two 6" ribbon heating elements • Clear View window • Oven light

**JBP64SH** Stainless steel (not shown)

**JBP64BH** White or Bisque (not shown)



# QuickClean™ Self-Clean

**These models include** • The most dependable ranges you can buy! • Super-large 5.0 cu. ft. capacity oven • **Self-clean oven** • **Dual element bake** • Frameless glass oven door • CleanWell™ cooktop system • Lift-up cooktop • Plug-in Calrod® heating elements, two 8" and two 6" • Heating element "ON" indicator lights • **Auto oven shut-off with override** • Removable full-width storage drawer • Removable one-piece drip bowls • **Certified Sabbath mode** Note: bold = feature upgrade from previous model



More cooking capacity gives you the ability to cook more at once.



TrueTemp system provides even heat distribution and maximum oven control.



Six-pass power bake provides more power, total coverage and even cooking.



Clean-Well cooktop system contains spills so cleanup is simple.



## GE Profile™

### 30" Free-Standing Electric Range

#### JBP48BH Black on black

- TrueTemp™ system • **QuickSet V oven controls**
- **Right rear 6" element with warming zone** • New appearance • SmartLogic™ electronic controls
- Six-pass power bake element • **Big ClearView™ window** • **Sculptured handle** • **Automatic interior oven light** • Control lock capability

#### JBP48WH White on white (not shown)

#### JBP48CH Bisque on bisque (not shown)



## GE®

### 30" Free-Standing Electric Range

#### JBP35WH White on white

- TrueTemp system • SmartLogic electronic controls • Six-pass power bake element
- **Big ClearView window** • **QuickSet IV oven controls**
- Interior oven light

#### JBP35SH Stainless steel (not shown)

#### JBP35CH Bisque on bisque (not shown)

#### JBP35EH Black on black (not shown)

#### JBP35BH White or Bisque (not shown)



**GE**  
30" Free-Standing Electric Range

**JBP26WH** White on white  
 • TrueTemp system • SmartLogic electronic controls • Six-pass power bake element  
 • ClearView window • QuickSet III oven controls • Interior oven light

**JBP26CH** Bisque on bisque (not shown)

**JBP26BH** Black on black (not shown)



Calrod heating elements provide even heat distribution.



Lift-up cooktop locks into place for easy cleaning.



**GE**  
30" Free-Standing Electric Range

**JBP24BH** White or Bisque  
 • ClearView window • QuickSet III oven controls  
 • Interior oven light

**JBP24WH** White on white (not shown)



**GE**  
30" Free-Standing Electric Range

**JBP21WH** White on white  
 • QuickSet III oven controls

**JBP21BH** White or Bisque (not shown)



Sabbath mode allows cooked foods to be kept warm on the Jewish Sabbath, in accordance with Kosher law.

# QuickClean™ Standard-Clean

**These models include** • The most dependable ranges you can buy! • Super-large 5.0 cu. ft. oven capacity • Dual element bake • Clean-Well™ cooktop system • Heating element "ON" indicator light • Removable full-width storage drawer • Removable one-piece drip bowls • Standard-clean oven

**Note: bold = feature upgrade from previous model**



Lift-up cooktop locks into place for easy cleaning.



Clean-Well cooktop system contains spills so cleanup is simple.



Calrod heating elements provide even heat distribution.



## GE® 30" Free-Standing Electric Range

**JBS27BH** Black on black  
• Lift-up cooktop • **Plug-in Calrod® heating elements, two 8" and two 6"** • **Electronic digital clock and minute timer** • **Frameless glass oven door with ClearView window** • Interior oven light

**JBS27SH** Stainless steel (not shown)

**JBS27WH** White on white (not shown)

**JBS27CH** Bisque on bisque (not shown)



## GE 30" Free-Standing Electric Range

**JBS07H** White on white or Bisque on bisque  
• **Lift up cooktop** • Plug-in Calrod heating elements, one 8" and three 6" • Color-matched porcelain oven door with ClearView window  
• Interior oven light





**GE**  
**30" Free-Standing Electric Range**  
**JBS15H** White on white or Bisque on bisque  
 • **Upfront controls** • Plug-in heating elements, one 8" and three 6" • **Color-matched porcelain oven door with ClearView window** • **Interior oven light**  
 (Does not have Clean-Well cooktop system)



**GE**  
**30" Free-Standing Electric Range**  
**JBS03BH** White or Bisque  
 • Plug-in Calrod heating elements, one 8" and three 6" • **Frameless solid black glass oven door** • **Designer-style handle**  
**JBS03H** White or Bisque (not shown)  
 • Color-matched porcelain oven door • Chrome visor handle



More cooking capacity gives you the ability to cook more at once.

## 40" Self-Clean & Standard-Clean

**These models include** • Storage drawer • Porcelain oven door with window • Interior oven light • Two 6" and two 8" heating elements

**Note: bold = feature upgrade from previous model**



Easy-to-use electronic controls provide cooking convenience.



**GE**  
**40" Free-Standing Electric Range**  
**JCP67F** White on white  
 • **Self-clean master oven** • **Standard-clean companion oven** • Electronic clock and automatic master oven timer  
**JCS57F** White on white (not shown)  
 • Standard-clean oven • Companion storage compartment with shelf  
 • Electronic clock and timer

Not all features available on all models. For additional features, specifications and color availability, refer to pages 204-205.

**A**dvanced technology  
meets distinctive style.

GE Profile™ free-standing ranges beautifully blend performance with contemporary design. A gas on glass or deep recessed cooktop surface, with continuous grates, features four sealed burner sizes, including Power Boil™ and Precise Simmer burners. For easy operation, glass touch controls are featured.

A sculptured handle complements the gorgeous stainless steel finish. The two-speed convection

system works with the

TrueTemp™ system to

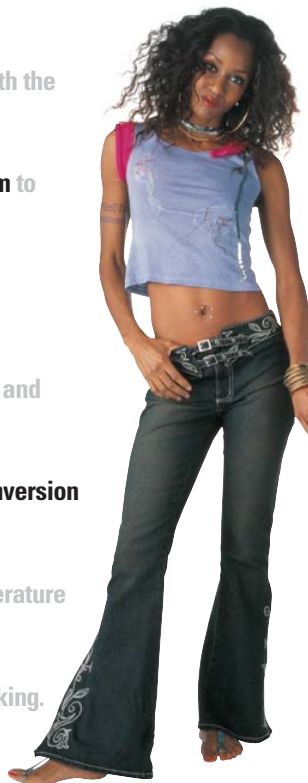
deliver delicious

and even results, and

Auto Recipe™ conversion

adjusts the temperature

for convection baking.



#### Convection gas and dual-fuel ranges—GE's first!

These ranges utilize an innovative convection system that works in conjunction with our TrueTemp™ system to deliver delicious baking and roasting results.



#### Cooktop options

Choose from a gas on glass cooktop with a continuous surface or a deep recessed cooktop with a depressed surface. Both include sealed burners to help contain spills and make cleaning easy.



#### Burner options

Four convenient burner sizes satisfy every cooktop need, from boiling to simmering.



#### Warming drawer

The warming drawer lets you prepare side dishes at your own pace. Conveniently located under the oven, this drawer keeps food warm until serving.





Refrigeration

Free-Standing Gas Ranges

Microwave Ovens

Dishwashers

Clothes Care

Water Systems

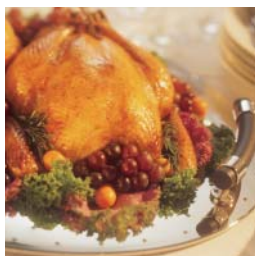
Air Conditioning



# Self-Clean: Sealed Burners

**These models include** • The most dependable ranges you can buy! • TrueTemp™ system • Electronic controls • Super-large 5.0 cu. ft. capacity self-clean oven • Sealed burners • Power Boil™ burner • High Output burner • Precise Simmer burner • Continuous grates • Dishwasher-safe grates • Sculptured handle • Six embossed rack positions • In-oven broiling • Extra-large broiler pan with grid • Certified Sabbath mode • Audible preheat signal • Interior oven light • Electronic ignition

**Note: bold = feature upgrade from previous model**



Gas convection ovens—GE's first.



The revolutionary gas on glass cooktop—changing the way you cook with gas.



Power Boil™ burner delivers 15,000 BTUs for faster boiling.



The warming drawer helps keep foods and side dishes warm and ready to serve.



## GE Profile™

*30" Free-Standing Convection Gas Range with Warming Drawer*

**JGB920SEF** Stainless steel

• **Smooth ceramic gas on glass cooktop** • QuickSet VI glass touch oven controls • Two-speed convection oven • Convection Bake • Convection Roast • Auto Recipe™ conversion • Stainless steel oven door with Big ClearView™ window • Three oven racks • Oven meat probe • Warming drawer with stainless steel insert

**JGB920TEF** True white (not shown)

• Frameless glass oven door

**JGB920KEF** True bisque (not shown)

**JGB920BEF** Black on black (not shown)



## GE Profile

*30" Free-Standing Convection Gas Range with Warming Drawer*

**JGB915BEF** Black on black

• Deep-recessed porcelain cooktop • **QuickSet VI glass touch oven controls** • Two-speed convection oven • Convection Bake • Convection Roast • Auto Recipe conversion • Frameless glass oven door with Big ClearView window • Three oven racks • **Oven meat probe** • Warming drawer with stainless steel insert

**JGB915WEF** White on white (not shown)

**JGB915CEF** Bisque on bisque (not shown)

**JGB915SEF** Stainless steel (not shown)

• Stainless steel door



*GE Profile*  
 30" Free-Standing  
 Gas Range with Warming Drawer

**JGB905WEF** White on white  
 • Deep-recessed porcelain cooktop • QuickSet V oven controls • Frameless glass oven door with Big ClearView window • Two oven racks • **Warming drawer**

**JGB905CEF** Bisque on bisque (not shown)

**JGB905BEF** Black on black (not shown)

**JGB905SEF** Stainless steel (not shown)  
 • Stainless steel door



Continuous grates provide a flat, sturdy surface, allowing easy movement of pans between burners.



Precise Simmer burner uses a low temperature setting of 140° for better simmering control.



Sealed burner design helps contain spills from dripping beneath cooktop for easy cleanup.



*GE Profile*  
 30" Free-Standing Gas Range

**JGB900CEF** Bisque on bisque  
 • Deep-recessed porcelain cooktop • QuickSet V oven controls • Frameless glass oven door with Big ClearView window • Two oven racks

**JGB900WEF** White on white (not shown)

**JGB900BEF** Black on black (not shown)

**JGB900SEF** Stainless steel (not shown)  
 • Stainless steel door



Sabbath mode allows cooked foods to be kept warm on the Jewish Sabbath, in accordance with Kosher law.

# Self-Clean: Dual-Fuel

**These models include** • Gas cooktop • **Electric convection oven** • The most dependable ranges you can buy! • TrueTemp™ system • **Electronic controls** • **Super-large 5.0 cu. ft. capacity self-clean oven** • Sealed burners • **Power Boil™ burner** • High Output burner • **Precise Simmer burner** • Continuous grates • **Dishwasher-safe grates** • **Sculptured handle** • Six embossed rack positions • Oven meat probe • Extra-large broiler pan with grid • Certified Sabbath mode • Audible preheat signal • Interior oven light • Electronic ignition

**Note: bold = feature upgrade from previous model**



Electric convection oven constantly circulates air throughout the oven to uniformly cook and brown food.



Power Boil™ burner delivers 15,000 BTUs for faster boiling.



Precise Simmer burner uses a low temperature setting of 140° for better simmering control.



Continuous grates provide a flat, sturdy surface, allowing easy movement of pans between burners.



**GE Profile™**  
30" Free-Standing Dual-Fuel Range  
with Warming Drawer

**J2B915SEH** Stainless steel

- QuickSet VI oven controls • **Electric Convection Bake**
- **Electric Convection Roast** • **Auto Recipe™ conversion**
- Stainless steel oven door with Big ClearView™ window
- Stainless steel insert included with warming drawer



**GE Profile**  
30" Free-Standing Dual-Fuel Range  
with Warming Drawer

**J2B915BEH** Black on black

- **QuickSet VI glass touch controls** • Frameless glass oven door with Big ClearView window



**GE Profile**  
30" Free-Standing Dual-Fuel Range  
with Warming Drawer

**J2B915CEH** Bisque on bisque

- QuickSet VI glass touch controls • Frameless glass oven door with Big ClearView window

**J2B915WEH** White on white(not shown)

Not all features available on all models.  
For additional features, specifications and color availability, refer to pages 209-210.



# Self-Clean: Sealed Burners

**These models include** • The most dependable ranges you can buy! • TrueTemp system • Electronic controls • Extra-large 4.8 cu. ft. capacity self-clean oven • Sealed burners • QuickSet V oven controls • Precise Simmer burner • Two High Output burners • Two oven racks • Six embossed rack positions • Continuous grate surface • One-piece upswept porcelain-enameled cooktop • In-oven broiling • Interior oven light • Electronic pilotless ignition • **Warming drawer** Note: bold = feature upgrade from previous model



TrueTemp system provides even heat distribution and maximum oven control.

**ONLY GE HAS IT!**



Largest\* usable oven capacity has room enough for cooking an entire meal.



Sealed burner design helps contain spills from dripping beneath cooktop for easy cleanup.



The warming drawer helps keep foods and side dishes warm and ready to serve.



GE®  
30" Free-Standing Commercial-Style Gas Range with Warming Drawer

**JGBP90MEH** Soft stainless  
• **Soft stainless oven door with Big ClearView window** • **Professional-style handle and control knobs** • Heavy-cast continuous grates with rubber feet



GE  
30" Free-Standing Gas Range  
**JGBP85SEH** Stainless Steel  
• **Stainless steel oven door with Big ClearView window** • Heavy-cast continuous grates with rubber feet  
**JGBP85BEH** Black on black (not shown)



GE  
30" Free-Standing Gas Range  
**JGBP85WEH** White on white  
• **Frameless glass oven door with Big ClearView window** • Heavy-cast continuous grates with rubber feet  
**JGBP85CEH** Bisque on bisque (not shown)

\*Among leading manufacturers' brands. Not all features available on all models. For additional features, specifications and color availability, refer to pages 209-210.

# Self-Clean: Sealed Burners

**These models include** • The most dependable ranges you can buy! • TrueTemp™ system • Electronic controls • Extra-large 4.8 cu. ft. capacity self-clean oven • Sealed burners • QuickSet IV oven controls • Precise Simmer burner • High Output burners • Six embossed rack positions • In-oven broiling • Interior oven light • Electronic pilotless ignition • One-piece upswept porcelain-enameled cooktop • One-piece drip pans • Certified Sabbath mode

**Note: bold = feature upgrade from previous model**



Continuous grates allow for easy movement of pans between burners.



**ONLY GE HAS IT!**

TrueTemp system provides even heat distribution and maximum oven control.



Precise Simmer burner allows for low, even heat distribution for delicate foods and sauces.



High Output burners, with 12,000 BTUs, provide high output for fast heat-up and boiling.



GE®  
30" Free-Standing Gas Range

- JGBP80SEH** Stainless Steel
- Stainless oven door with Big ClearView™ window
  - Heavy-cast continuous grates with rubber feet
  - Two oven racks

**JGBP80BEH** Black on black (not shown)



GE  
30" Free-Standing Gas Range

- JGBP80WEH** White on white
- Frameless glass oven door with Big ClearView window
  - **Heavy-cast continuous grates with rubber feet**
  - Two oven racks

**JGBP80CEH** Bisque on bisque (not shown)



GE  
30" Free-Standing Gas Range

- JGBP33SEH** Stainless steel
- Audible preheat signal
  - **13,000 BTU High Output burner**
  - Big ClearView window
  - **Black medium-cast grates**
  - Black porcelain-enameled drip pans
  - **Three oven racks**

**JGBP33WEH** White on white (not shown)

**JGBP33CEH** Bisque on bisque (not shown)

**JGBP33BEH** Black on black (not shown)

Not all features available on all models. For additional features, specifications and color availability, refer to pages 209-210.

**These models include** • The most dependable ranges you can buy! • Extra-large 4.8 cu. ft. capacity self-clean oven • Six embossed rack positions • QuickSet oven controls • **Sealed burners** • Electronic pilotless ignition • One-piece, upswept porcelain-enameled cooktop • Frameless glass oven door • Designer-style handle • In-oven broiling • Interior oven light • Storage drawer • Certified Sabbath mode

**Note: bold = feature upgrade from previous model**



Largest\* usable oven capacity has room enough for cooking an entire meal.



Six embossed rack positions increase cooking flexibility.



Sealed burner design helps contain spills from dripping beneath cooktop for easy cleanup.



Sabbath mode allows cooked foods to be kept warm on the Jewish Sabbath, in accordance with Kosher law.



**GE**  
30" Free-Standing Gas Range

**JGBP30WEH** White on white  
• TrueTemp system • Electronic controls • QuickSet IV oven controls • Audible preheat signal • Precise Simmer burner • High Output burner • Big ClearView window • Grey deluxe porcelain-steel square grates • Grey porcelain-enameled drip pans

**JGBP30CEH** Bisque on bisque (not shown)



**GE**  
30" Free-Standing Gas Range

**JGBP30BEH** White or Bisque  
• TrueTemp system • Electronic controls • QuickSet IV oven controls • Audible preheat signal • Precise Simmer burner • High Output burner • Big ClearView window • Deluxe porcelain-steel square grates • Porcelain-enameled drip pans



**GE**  
30" Free-Standing Gas Range

**JGBP28BEH** White or Bisque  
• QuickSet III oven controls • Audible preheat signal • Black standard porcelain-steel square grates  
**JGBP28SEH** Stainless steel (not shown)  
**JGBP28WEH** White on white (not shown)

\*Among leading manufacturers' brands. Not all features available on all models. For additional features, specifications and color availability, refer to pages 209-210.



# Self-Clean: Standard Burners

**These models include** • The most dependable ranges you can buy! • **Extra-large 4.8 cu. ft. capacity self-clean oven** • Six embossed rack positions • Electronic pilotless ignition • **QuickSet oven controls** • **Certified Sabbath mode** • Frameless glass oven door with designer-style handle • Lift-up cooktop • Standard porcelain-steel grates • One-piece, porcelain-enameled cooktop and subtop • In-oven broiling • Two oven racks • **Interior oven light** Note: bold = feature upgrade from previous model

**ONLY GE HAS IT!**



Largest\* usable oven capacity has room enough for cooking an entire meal.



Six embossed rack positions increase cooking flexibility.



Sabbath mode allows cooked foods to be kept warm on the Jewish Sabbath, in accordance with Kosher law.



GE®  
30" Free-Standing Gas Range

**JGBP26WEH** White on white  
• TrueTemp system • Electronic controls  
• **QuickSet IV oven controls** • Audible preheat signal • Grey porcelain-enameled drip pans  
• **Frameless white glass oven door with ClearView window** • Storage drawer

**JGBP26CEH** Bisque on bisque (not shown)



GE  
30" Free-Standing Gas Range

**JGBP24BEH** White or Bisque  
• **QuickSet III oven controls** • Audible preheat signal

\*Among leading manufacturers' brands. Not all features available on all models. For additional features, specifications and color availability, refer to page 210.

# Standard-Clean: Sealed Burners

**These models include** • The most dependable ranges you can buy! • Extra-large 4.8 cu. ft. capacity oven • Six embossed rack positions  
 • **Sealed burners** • Electronic pilotless ignition • Designer-style handle

Note: bold = feature upgrade from previous model

**ONLY GE HAS IT!**



Largest\* usable oven capacity has room enough for cooking an entire meal.



Sealed burner design helps contain spills from dripping beneath cooktop for easy cleanup.



A versatile griddle cooktop can cook and warm all types of foods.



Griddle can be removed to reveal a fifth center oval burner for added cooking flexibility.



## GE 30" Free-Standing Gas Range

- JGBS23WEH** White on white
- Frameless white glass oven door with Big ClearView window • **Precise Simmer burner**
  - **High Output burner** • **Grey porcelain-enameled drip pans** • Porcelain-steel square grates
  - One-piece, upswept porcelain-enameled cooktop
  - Interior oven light • Electronic clock and timer
  - Slide-out broiler drawer

- JGBS23SEH** Stainless steel (not shown)  
**JGBS23CEH** Bisque on bisque (not shown)  
**JGBS23BEH** Black on black (not shown)



## GE 30" Free-Standing Gas Range

- JGBS10WEH** White on white
- Non-stick griddle • Fifth center oval burner
  - **Electronic clock** • Continuous wire burner grates • **Frameless white glass oven door with ClearView window** • **Drop-down broiler drawer**
- JGBS10CEH** Bisque on bisque (not shown)  
**JGBS10BEH** Black on black (not shown)



## GE 30" Free-Standing Gas Range

- JGBS22BEH** White or Bisque
- Frameless black glass oven door with Big ClearView window • Porcelain-steel square grates • One-piece, upswept porcelain-enameled cooktop • Interior oven light • Electronic clock and timer • Slide-out broiler drawer



## GE 30" Free-Standing Gas Range

- JGBS09PEH** White on white
- **Non-stick griddle** • **Fifth center oval burner**
  - Continuous wire burner grates • White porcelain-enameled oven door with ClearView window

\*Among leading manufacturers' brands. Not all features available on all models. For additional features, specifications and color availability, refer to page 211.

## Continuous- & Standard-Clean: Standard Burners

**These models include** • The most dependable ranges you can buy! • Extra-large 4.8 cu. ft. capacity oven • Six embossed rack positions • Electronic pilotless ignition • Lift-up cooktop • Square, standard porcelain-steel grates • Porcelain-enameled cooktop • Easy-clean porcelain-enameled subtop • Broiler drawer • Extra-large broiler pan with grid • Two oven racks **Note: bold = feature upgrade from previous model**



GE®  
30" Free-Standing Gas Range

**JGBC20BEH** White or Bisque  
• Extra-large **continuous-clean oven** • Electronic clock and timer • **Frameless glass oven door with ClearView window** • Designer-style handle • One-piece upswept cooktop

**JGBC20WEH** White on white (not shown)

**JGBC20CEH** Bisque on bisque (not shown)

**JGBS20BEH** White or Bisque (not shown)

• Extra-large standard-clean oven

**JGBS20WEH** White on white (not shown)

• Extra-large standard-clean oven



GE  
30" Free-Standing Gas Range

**JGBS17PEH** White or Bisque  
• Extra-large standard-clean oven • **Electronic clock and timer** • Designer-style handle • **One-piece upswept cooktop**



GE  
30" Free-Standing Gas Range

**JGBS07PEH** White on white  
• Extra-large standard-clean oven • **White porcelain-enameled oven door with window** • **Interior oven light**



GE  
30" Free-Standing Gas Range

**JGBS04BEH** White or Bisque  
• Extra-large standard-clean oven • **Black standard porcelain grates** • **Electronic ignition**

**JGBS04PPH** White on white, white or bisque (not shown)  
• **Standing pilot ignition**

For additional features, specifications and color availability, refer to page 211.



## Venting Options: Slide-Out Hoods

### *These models include*

- See-through glass visor slides in and out
- 300-CFM performance with variable-speed fan control
- Auto heat sensor
- Compact housing leaves ample shelf space behind cabinet doors
- Vertical exhaust with 3-1/4" x 10" rectangular duct
- Cooktop light



**GE Profile**  
**36" Slide-Out Hood**  
**JV960SC** Brushed aluminum

**30" Slide-Out Hood**  
**JV930SC** Brushed aluminum  
 (not shown)

**GE Profile**  
**36" Slide-Out Hoods**  
**JV696S** Bisque on bisque  
**JV695S** White on white (not shown)  
**JV694S** Black on black (not shown)

**30" Slide-Out Hoods**  
**JV396S** Bisque on bisque (not shown)  
**JV395S** White on white (not shown)  
**JV394S** Black on black (not shown)

Refrigeration

Venting Options

Microwave Ovens

## Venting Options: Designer Hoods

- These models include* • Four-speed fan control • Two halogen cooktop lights (20 watts each) • Night light setting • Vertical exhaust (600-CFM) • Seven Sones rating • 7" round duct



Optional chimney cover available to cover exposed duct from the hood to the ceiling.



Commercial filter kit available for 30" and 36" designer hoods.



**GE Profile**  
**Designer Hood**  
**JV966DSS** Stainless steel  
 • 36" width  
**JV936DSS** Stainless Steel  
 (not shown)  
 • 30" width

Dishwashers

Clothes Care

Water Systems

Air Conditioning

Not all features available on all models. For additional features, specifications and color availability, refer to pages 212 and 214.

# GE Profile™ Venting Options: Telescopic Downdraft Systems

**These models include** • 500-CFM fan • Upfront variable-speed fan with slide control • Raises to 8-3/4" over cooktop surface • Retracts when not in use • Ideal for island or peninsula installations • Use optional GE accessory cover (JXBC67) for outdoor installation of blower or the indoor blower mounting kit (JXRB67) for indoor remote mounting of the blower **Note: bold = feature upgrade from previous model**



Separate remote switch to raise/lower vent provides installation flexibility and convenience of operation (only available on JVB98 and JVB67).

Note: Approved for use with all GE Profile and GE electric and sealed burner gas cooktops. Not approved for use with standard burner gas cooktops.



**GE Profile**  
*Telescopic*  
*Downdraft Systems*  
**JVB98SH** Stainless steel  
• 36" width • Separate remote switch to raise/lower vent  
**JVB94SH** Stainless steel (not shown) • 30" width



**GE Profile**  
*Telescopic*  
*Downdraft Systems*  
**JVB67HWW**  
White on white  
• 36" width • **Separate remote switch to raise/lower vent**  
**JVB67HCC**  
Bisque on bisque (not shown)  
**JVB67HBB**  
Black on black (not shown)



**GE Profile**  
*Telescopic*  
*Downdraft Systems*  
**JVB37HBB**  
Black on black  
• 30" width  
**JVB37HWW**  
White on white (not shown)  
**JVB37HCC**  
Bisque on bisque (not shown)

**Note: Cooktops sold separately.**

# Venting Options: High-Performance, Performance, Deluxe and Standard Hoods

Note: bold = feature upgrade from previous model



*GE Profile*  
*High-Performance Hood*

- JV666H** Stainless steel  
 • 36" width • Four-speed fan control • Two halogen cooktop lights (50 watts each) • Night light setting • Vertical (round 410 CFM, rectangular 380 CFM) or rear (390 CFM) exhaust • 3-1/4" x 10" rectangular duct (convertible to 7" round duct)
- JV665H** White on white, Bisque on bisque or Black on black (not shown)



*GE Profile*  
*High-Performance Hood*

- JV635H** Black on black (shown), Bisque on bisque or White on white  
 • 30" width • Four-speed fan control • Two halogen cooktop lights (50 watts each) • Night light setting • **Vertical (round 410 CFM, rectangular 380 CFM) or rear (390 CFM) exhaust**
- JV636H** Stainless steel (not shown)



*GE Profile*  
*Performance Hoods*

- JV565H** White on white (shown), Bisque on bisque or Black on black  
 • 36" width • **Two-speed fan control** • Vertical (round 250 CFM, rectangular 240 CFM) or rear (240 CFM) exhaust • **Two halogen cooktop lights (50 watts each)** • Convertible exhaust options (7" round, rectangular or non-vented) • Rectangular damper included
- JV566H** Stainless steel (not shown)
- JV535H** White on white, Bisque on bisque, or Black on black (not shown)  
 • 30" width
- JV536H** Stainless steel (not shown)

JXDA22 round damper accessory, available at additional cost (Models JV666/665/636/635/566/565/536/535).



GE®  
Deluxe Hoods

- JV367H** White on white (shown), Bisque on bisque or Black on black  
 • 36" width • **Rotary control** • **Three-speed fan**  
 • **Convertible exhaust (shipped in non-vented configuration, convertible to 7" round or rectangular exhaust)** • Rectangular damper included
- JV347H** White on white, Bisque on bisque or Black on black  
 • 30" width



GE  
Standard Hoods

- JV338H** White (shown) or Bisque  
 • 3-1/4" x 10" rectangular duct  
 • Rectangular damper included
- JN327H** White, Bisque or Almond (not shown)  
 • Non-vented

JXDA22 round damper accessory, available at additional cost (Models JV367/347/338).

JXHC1 cord kit allows a receptacle in the cabinet over the range to accommodate either an over-the-range microwave oven or a standard hood.

Light bulbs not included.

For additional features, specifications and color availability, refer to page 215.



# R einventing the original.

In 1979, GE revolutionized microwave cooking with the

introduction of the original Spacemaker® oven. Today,

GE Profile™ and GE® Spacemaker ovens usher in a new

era of microwave innovation. An advanced cooking

system heats and defrosts with perfectly even results,

an easy-to-use touchscreen menu and a 2.0 cu. ft.,

two-oven rack interior make microwave cooking more

convenient than ever.

Outside, clean lines and

bold curves offer a truly

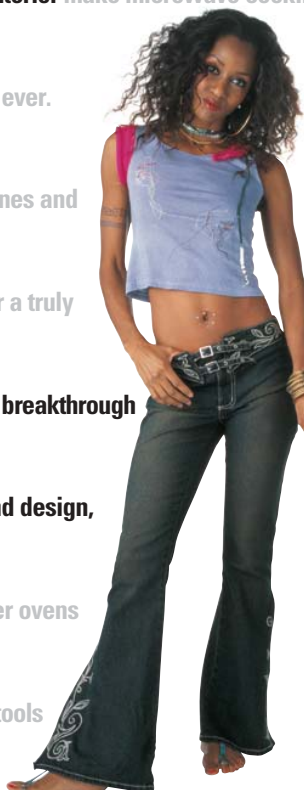
dramatic look. A breakthrough

in technology and design,

new Spacemaker ovens

are the ultimate tools

for everyday cooking.



## Dual-distribution cooking system

Circulates microwaves from the top and side of the oven for even heating and defrosting of food.



## 1 lb. Quick Defrost

Convenient setting lets you thaw a pound of chicken, fish or meat up to 50% faster than our previous models. What used to take 6-1/2 minutes now defrosts in just 3 minutes.



## Timesaving technology, spacesaving design

For more than 20 years, the Spacemaker microwave oven has been an indispensable part of the American kitchen. With its many innovative features and compact design, this award-winning oven saves precious time and space.



Before



After



Refrigeration

Cooking Products

Microwave Ovens

Dishwashers

Clothes Care

Water Systems

Air Conditioning



# GE Profile Spacemaker® Oven with Convection/Microwave Cooking



User-friendly controls offer access to a variety of programmable options, and the two-line scrolling display simplifies the cooking process.



Convection cooking combined with microwave power (Fast Bake), provides cooking results up to 25% faster than conventional ovens.

Note: bold = feature upgrade from previous model



**JVM1490WH**  
White on white  
(not shown)  
**JVM1490CH**  
Bisque on bisque  
(not shown)  
**JVM1490BH**  
Black on black  
(not shown)

*GE Profile™  
Spacemaker Convection Microwave Oven*

Available January 2004

**JVM1490SH** Stainless steel  
 • **1.4 cu. ft. cavity** • **900 watts\*** • **Combination convection/microwave cooking** • **Fast Defrost** • **Halogen interior and cooktop lighting** • **Two-line scrolling display** • **Turntable** • **Bilingual display (English/Spanish)**  
 • **Sensor cooking controls** • **SmartControl system with interactive display** • **Stainless steel interior**  
 • **Auto/Time Defrost** • **Convection oven rack** • **Powerful two-speed venting**

# GE Profile Spacemaker 2.0 Microwave Oven with Sensor Cooking



New convenience features quickly soften or melt foods like butter, ice cream, chocolate and cheese.



Halogen cooktop lighting illuminates every inch of the cooking surface. The powerful, 315-CFM venting system offers three speeds and a boost option.

Note: bold = feature upgrade from previous model



**JVM2070WH**  
White on white  
(not shown)  
**JVM2070CH**  
Bisque on bisque  
(not shown)  
**JVM2070BH**  
Black on black  
(not shown)

*GE Profile™  
Spacemaker Sensor Oven*

**JVM2070SH** Stainless steel  
 • **2.0 cu. ft. cavity** • **1100 watts\*** • **Dual-distribution cooking system** • **EasyGuide menu system** • **Soften feature** • **Melt feature** • **Large 14-1/4" recessed turntable** • **Turntable On/Off** • **Sensor cooking controls**  
 • **Auto, Time and 1 lb. Quick Defrost** • **Sculptured handle** • **Filter replacement reminder** • **Sleep mode**  
 • **Interactive demo mode** • **Powerful three-speed plus boost 315-CFM venting** • **Two removable oven racks**

\*IEC-705 Test Procedure



# GE Profile Spacemaker XL1800 36" Microwave Oven with Sensor Cooking

Refrigeration



Six-plate capacity, with two oven racks and recessed turntable, holds up to six dinner plates or three 9" x 13" casserole dishes.



This powerful 300-CFM-rated venting system removes smoke and steam from the cooktop.

Note: bold = feature upgrade from previous model



**JVM3670WF**  
White on white (not shown)

**JVM3670CF**  
Bisque on bisque (not shown)

**JVM3670BF**  
Black on black (not shown)

## GE Profile 36" Spacemaker Sensor Oven

**JVM3670SF** Stainless steel

- 1.8 cu. ft. cavity • 1100 watts\* • CircuWave™ 1100 cooking system • Large 14-1/4" recessed turntable
- Sensor cooking controls • Auto, Time and 1 lb. Quick Defrost • Hidden vent • Sculptured handle
- Add 30 seconds • Instant On controls • Beeper volume control • Bilingual display (English/Spanish)
- Two-line scrolling display • Big view window • Halogen cooktop lighting • **36" width application**
- **Powerful three-speed plus boost 300-CFM 36" vortex venting** • Removable oven rack • Easy mount installation • Turntable On/Off

Cooking Products

Microwave Ovens

Dishwashers

# GE Profile Wall Oven with Convection/Microwave Cooking



Convection cooking produces golden brown exteriors and moist interiors.



Combination roast produces tender and juicy meats with beautifully brown exteriors.



Shown in 30" width

**JEB1095WB**

White on white (not shown)

**JEB1095CB**

Bisque on bisque (not shown)

**JEB1095BB**

Black on black (not shown)

Convection/Microwave Wall Ovens provide a true built-in appearance. JEB1095 will fit a 27" or 30" cutout. A trim kit (included with all models) enables the unit to be adapted to a 30" width. Available in stainless steel, white, bisque and black.

## GE Profile 30" or 27" Convection Microwave Wall Oven

**JEB1095SB** Stainless steel

- 1.0 cu. ft. cavity • 800 watts\* • **Convection cooking**
- **Combination roast (probe)** • **Combination convection/microwave cooking** • Sensor cooking controls • Express Cook

Clothes Care

Water Systems

Air Conditioning

Not all features available on all models. For additional features, specifications and color availability, refer to pages 217-218.

# GE Profile Spacemaker® XL1800 Microwave Oven with Sensor Cooking



Built-in sensors measure food moisture levels during cooking and automatically adjust time and power.



1 lb. Quick Defrost lets you thaw a pound of chicken, fish or meat up to 50% faster than our previous models.

Note: bold = feature upgrade from previous model



## JVM1871SH

Stainless steel  
(not shown)

• Non-vented model

## JVM1870WF

White on white  
(not shown)

## JVM1870CF

Bisque on bisque  
(not shown)

## JVM1870BF

Black on black  
(not shown)

### GE Profile Spacemaker Sensor Oven

#### JVM1870SF Stainless steel

• 1.8 cu. ft. cavity • 1100 watts\* • CircuWave™ 1100 cooking system • Large 14-1/4" recessed turntable • Sensor cooking controls • Auto, Time and 1 lb. Quick Defrost • **Hidden vent** • Sculptured handle • Add 30 seconds • Instant On controls • **Beeper volume control** • **Bilingual display (English/Spanish)** • Two-line scrolling display • **Big view window** • Halogen cooktop lighting • Powerful three-speed plus boost 300-CFM vortex venting • Easy mount installation • Turntable On/Off • Two oven racks

# GE Spacemaker® 2.0 Microwave Oven with Sensor Cooking

Note: bold = feature upgrade from previous model



Circulates microwaves from the top and side of the oven for even heating and defrosting of food.



## JVM2050CH

Bisque on bisque  
(not shown)

## JVM2050BH

Black on black  
(not shown)

### GE® Spacemaker Sensor Oven

#### JVM2050WH White on white

• **2.0 cu. ft. cavity** • 1100 watts\* • **Dual Distribution cooking system** • SmartControl system with interactive display • Large 14-1/4" recessed turntable • Turntable On/Off • Sensor cooking controls • Auto, Time and 1 lb. Quick Defrost • **Halogen cooktop lighting** • Removable oven rack, two-positions

\*IEC-705 Test Procedure

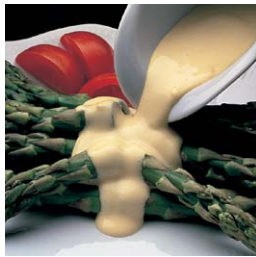
Not all features available on all models. For additional features, specifications and color availability, refer to pages 217-219.



# GE Spacemaker® XL1800 Microwave Oven with Sensor Cooking



Built-in sensors measure food moisture levels during cooking and automatically adjust time and power.



Add 30 seconds extends cooking time without the hassle of reprogramming.



GE® Available January 2004

## Spacemaker Sensor Oven

**JVM1850SH** Stainless steel

- 1.8 cu. ft. cavity • 1100 watts\* • **CircuWave™ 1100 cooking system** • Large 14-1/4" recessed turntable • **Sensor cooking controls** • **Auto, Time and 1 lb. Quick Defrost**
- Add 30 seconds • **Bilingual display (English/Spanish)** • **Two-line scrolling display**
- **Powerful three-speed plus boost 300-CFM vortex venting** • Easy mount installation
- Turntable On/Off • Removable oven rack, two positions



**JVM1851SH**

Stainless steel (not shown)

- Non-vented model

**JVM1850WH**

White on white (not shown)

**JVM1851WH**

White on white (not shown)

- Non-vented model

**JVM1850CH**

Bisque on bisque (not shown)

**JVM1851CH**

Bisque on bisque (not shown)

- Non-vented model

**JVM1850BH**

Black on black (not shown)

**JVM1851BH**

Black on black (not shown)

- Non-vented model

# GE Spacemaker Microwave Oven with Sensor/Convenience Cooking



Built-in sensors measure food moisture levels during cooking and automatically adjust time and power.



GE Available January 2004

## Spacemaker Sensor/Convenience Oven

**JVM1650SH** Stainless steel

- 1.6 cu. ft. cavity • 1000 watts\* • **CircuWave cooking system** • **Sensor cooking controls** • **Convenience cooking controls** • **Turntable On/Off** • **Auto/Time Defrost** • **Help pad** • **Add 30 seconds** • **Full-view cooktop lighting** • **Removable oven rack, two positions** • **Powerful 300-CFM venting** • Easy mount installation



**JVM1650WH**

White on white (not shown)

**JVM1650CH**

Bisque on bisque (not shown)

**JVM1650BH**

Black on black (not shown)

\*IEC-705 Test Procedure

Not all features available on all models. For additional features, specifications and color availability, refer to page 219.



# GE Spacemaker Microwave Ovens with Convenience Cooking

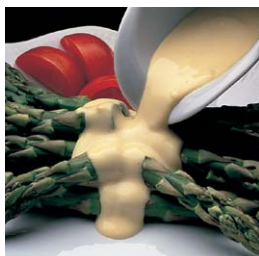
**These models include** • CircuWave™ cooking system • SmartControl system with interactive display • Convenience cooking controls • Delay Start • Auto/Time Defrost • Express Cook • Add 30 seconds • Instant On controls • Timer On/Off • Full-view cooktop lighting • Easy mount installation • Powerful 300-CFM exhaust fan **Note: bold = feature upgrade from previous model**



Auto Defrost option automatically sets time and power level for fast defrosting.



Convenience cooking controls allow you to defrost, cook or reheat at the touch of a pad.



Add 30 seconds extends cooking time without the hassle of reprogramming.



This powerful 300-CFM-rated venting system removes smoke and steam from the cooktop.



GE Spacemaker Convenience Oven

**JVM1640WH** White on white  
 • 1.6 cu. ft. oven cavity • 1000 watts\* • **Turntable On/Off**  
 • **Removable oven rack**



**JVM1640AH**  
 Almond on almond  
 (not shown)  
**JVM1640BH**  
 Black on black  
 (not shown)



GE Spacemaker Convenience Oven

**JVM1630BH** Black on black  
 • 1.6 cu. ft. cavity • 1000 watts\*



**JVM1631BH**  
 Black on black  
 (not shown)  
 • Non-vented model  
**JVM1630WH**  
 White on white  
 (not shown)  
**JVM1631WH**  
 White on white  
 (not shown)  
 • Non-vented model  
**JVM1630CH**  
 Bisque on bisque  
 (not shown)  
**JVM1631CH**  
 Bisque on bisque  
 (not shown)  
 • Non-vented model

\*IEC-705 Test Procedure

Not all features available on all models. For additional features, specifications and color availability, refer to page 219.



- JVM1441SH**  
Stainless steel  
(not shown)  
• Non-vented model
- JVM1440WH**  
White on white  
(not shown)
- JVM1441WH**  
White on white  
(not shown)  
• Non-vented model
- JVM1440BH**  
Black on black  
(not shown)
- JVM1441BH**  
Black on black  
(not shown)  
• Non-vented model

GE® *Available January 2004*  
Spacemaker Convenience Oven

- JVM1440SH** Stainless steel
- 1.4 cu. ft. oven cavity • 950 watts\* • **Turntable On/Off**
- Removable oven rack



- JVM1430BD**  
Black on black  
(not shown)

GE  
Spacemaker Convenience Oven

- JVM1430WD** White on white
- 1.4 cu. ft. oven cavity • 950 watts\*

\*IEC-705 Test Procedure

Not all features available on all models.  
For additional features, specifications  
and color availability, refer to page 219.

# GE Profile™ Microwave Oven with Convection/Microwave Cooking

Note: bold = feature upgrade from previous model



Convection cooking produces flavorful and beautifully browned food.



The user-friendly controls give you access to a variety of programmable options.



Model shown with trim kit\*\*



**JE1590WH**  
White on white  
(not shown)

**JE1590CH**  
Bisque on bisque  
(not shown)

**JE1590BH**  
Black on black  
(not shown)

*GE Profile*  
Convection/Microwave Oven

Available January 2004

**JE1590SH** Stainless steel

- 1.5 cu. ft. oven cavity • 1000 watts\* • **Convection and Combination Bake cooking controls**
- **Easy-to-use dial control** • **Two-line scrolling display** • Sensor cooking controls • Auto/Time Defrost • Quick Defrost • Timer On/Off • Recessed turntable • Optional trim kit available\*\*

## GE Profile Microwave Ovens with Sensor Cooking

*These models include* • Scrolling display • Sensor cooking controls • Auto/Time Defrost • Express Cook • Add 30 seconds • Instant On controls • Timer On/Off • Optional trim kit available\*\* Note: bold = feature upgrade from previous model



Built-in sensors measure food's moisture levels during cooking and automatically adjust time and power.



Model shown with trim kit\*\*



*GE Profile*  
Sensor Oven

**JE2160SF** Stainless steel  
• Extra-large 2.1 cu. ft. cavity • 1200 watts\*

**JE2160WF**  
White on white (not shown)

**JE2160CF**  
Bisque on bisque  
(not shown)

**JE2160BF**  
Black on black  
(not shown)



Model shown with undercabinet mounting kit\*\*



*GE Profile*  
Spacemaker II™  
Sensor Oven

**JEM31SF** Stainless steel  
• Mid-size 1.0 cu. ft. cavity • 800 watts\* • **Turntable on/off** • **Optional under-cabinet mounting kit available\*\*\***

**JEM31WF**  
White on white (not shown)

**JEM31CF**  
Bisque on bisque (not shown)

**JEM31BF**  
Black on black (not shown)

\*IEC-705 Test Procedure  
\*\*Optional trim kit—Custom trim kits available in both 27" and 30" configurations at an additional cost.  
\*\*\*Optional undercabinet mounting kit. Refer to page 117 for installation options.

Not all features available on all models. For additional features, specifications and color availability, refer to pages 220-221.



# GE® Microwave Ovens with Sensor Cooking

**These models include** • Scrolling display • **Sensor cooking controls** • Auto/Time Defrost • Express Cook • Add 30 seconds • Instant On controls • Timer On/Off • Turntable **Note: bold = feature upgrade from previous model**



Built-in sensors measure food moisture levels during cooking and automatically adjust time and power.



GE  
Sensor Oven  
**JE1860SH** Stainless steel  
• **Extra-large 1.8 cu. ft. cavity**  
• **1100 watts\*** • **Turntable On/Off** • **Optional trim kit available\*\***  
**JE1860WH**  
White on white (not shown)  
**JE1860CH**  
Bisque on bisque (not shown)  
**JE1860BH**  
Black with greystone case (not shown)



Scrolling display is easy to read and a helpful cooking guide.



GE  
Sensor Oven  
**JE1460BF** Black on black  
• **Family-size 1.4 cu. ft. cavity**  
• **1150 watts\*** • **Recessed turntable**  
**JE1460WF** White on white (not shown)



The versatility of a GE microwave meets any cooking need. Optional trim kit frees up valuable counter space.



GE  
Sensor Oven  
**JE1160WD** White on white  
• **Mid-size 1.1 cu. ft. cavity**  
• **1100 watts\***  
**JE1160BD** Black on black (not shown)

\*IEC-705 Test Procedure

\*\*Optional trim kit—Custom trim kits available in both 27" and 30" configurations at an additional cost. Refer to page 117 for installation options.

Not all features available on all models. For additional features, specifications and color availability, refer to page 220.

# GE Microwave Ovens with Convenience Cooking

**These models include** • Convenience cooking controls • Turntable • Auto/Time Defrost • Electronic touch controls • Electronic digital display with clock • Express Cook • Child Lockout • Optional undercabinet mounting kit available\*\*\*

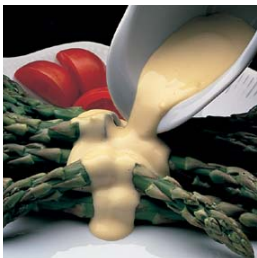
Note: bold = feature upgrade from previous model



Convenience cooking controls to defrost, cook or reheat at the touch of a pad.



GE  
Convenience Oven  
**JE740WY** White on white  
• Compact .7 cu. ft. cavity  
• 700 watts\*  
**JE740GY**  
Black with greystone case  
(not shown)

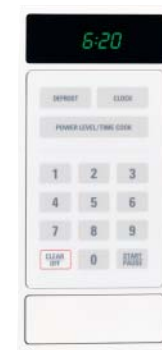


Add 30 seconds extends cooking time without the hassle of reprogramming.



GE  
Spacemaker II™  
Convenience Oven  
**JEM25WF** White on white  
• Mid-size 1.0 cu. ft. cavity • 800 watts\* • Turntable On/Off  
• **Optional trim kit available\*\***  
**JEM25BF**  
Black on black (not shown)

## GE® Microwave Ovens



GE  
Compact Oven  
**JE620WF** White on white  
• .6 cu. ft. cavity • 650 watts\*  
• Electronic touch controls  
• Electronic digital display with clock • Turntable On only  
• Time Defrost • **Optional undercabinet mounting kit available\*\*\***  
**JE620BF** Black on black  
(not shown)

\*IEC-705 Test Procedure

\*\*Optional trim kit—Custom trim kits available in both 27" and 30" configurations at an additional cost.

\*\*\*Optional undercabinet mounting kit. Refer to page 117 for installation options.

Not all features available on all models. For additional features, specifications and color availability, refer to page 221.

# Microwave Oven Trim and Hanging Kits

Refrigeration

Cooking Products

Microwave Ovens

Dishwashers

Clothes Care

Water Systems

Air Conditioning



## Deluxe Built-In Trim Kit for 2.1 cu. ft. Microwave Ovens

Trim kits allow installation of the 2.1 countertop microwave oven in a wall or cabinet alone, or over a GE Profile™ 27" or 30" single electric wall oven.

### 30" Deluxe Trim Kits for Models JE2160

JX2130SH—Stainless Steel, JX2130WH—White  
JX2130CH—Bisque, JX2130BH—Black

### 27" Deluxe Trim Kits for Models JE2160

JX2127SH—Stainless Steel, JX2127WH—White  
JX2127CH—Bisque, JX2127BH—Black



## Deluxe Built-In Trim Kit for 1.8 cu. ft. Microwave Ovens

Trim kits allow installation of the 1.8 countertop microwave oven in a wall or cabinet alone, or over a GE® 27" or 30" single electric wall oven as shown.

### 30" Deluxe Trim Kits for Models JE1860

JX1830SB—Stainless Steel, JX1830WB—White  
JX1830CB—Bisque, JX1830BB—Black

### 27" Deluxe Trim Kits for Models JE1860

JX1827SB—Stainless Steel, JX1827WB—White  
JX1827CB—Bisque, JX1827BB—Black



## Deluxe Trim Kits for 1.5 cu. ft. GE Profile™ Microwave Ovens

Built-in trim kits allow installation in a wall or cabinet alone, or over a GE 30" or 27" single electric wall oven. Use a convection wall oven under these convection microwave ovens for a complete convection cooking center.

### 30" Deluxe Trim Kits for Model JE1590

JX1530CSH—Stainless, JX1530CWH—White  
JX1530CCH—Bisque, JX1530CBH—Black

### 27" Deluxe Trim Kits for Model JE1590

JX1527CSH—Stainless, JX1527CWH—White  
JX1527CCH—Bisque, JX1527CBH—Black



## Built-In Trim Kit for 1.0 cu. ft. Microwave Ovens

For a custom built-in appearance, this kit allows built-in installation of the Spacemaker® II microwave oven into a wall or cabinet alone.

### Trim Kits for Models JEM31 and JEM25

JX827SS—Stainless Steel, JX827WN—White  
JX827CD—Bisque, JX827BN—Black



## Hanging Kit for .6, .7 and 1.0 cu. ft. Microwave Ovens

This hanging kit allows installation under a cabinet, freeing up valuable counter space. A mounting template provides all the necessary measurements for installation on practically any wood or metal cabinet.

### Hanging Kit for Models JE620, JE740, JEM25, JEM31

Pub. No. 4-A019



**B**eauty that's more than skin deep.

The real beauty of the **GE Profile™ fully integrated**

**dishwasher** is its remarkable versatility. The **hidden**

**electronic control panel** is tucked out of sight along

the top of the door for freedom of design like never

before. Choose the **contour stainless exterior** with its

**refined sculptured handle**, or conceal the front with

**custom wood panels that blend seamlessly** into

existing cabinetry. Or express yourself

on a one-of-a-kind designer's canvas.

And beauty isn't only skin deep; inside

you'll find unparalleled **capacity** and

**flexibility**, the remarkably silent

new **QuietPower™ VI** sound package

and **performance that's guaranteed**.

It's a rare kind of beauty...

striking inside and out.



**A dishwasher of distinction**

Fashion-forward design adds contemporary flair with the color wrap contour door. Choose from designer colors or shimmering stainless steel; the unique sculptured handle adds a sleek finishing touch.



**Set your imagination free**

Suit your style, whether wild, mild or in-between with custom wood panels that simply slide into place. Express your creativity for a designer touch, or choose handsome wood that lets the dishwasher completely disappear!



**Load the dishwasher just once**

No dishwasher holds more. With a large serving platter in the lower rack, you still have room for dinner plates in the upper rack. It's also easier to clean cookware, bakeware and large bowls with the 100% fold-down tines and adaptable bowl tines.



**Enjoy your quiet time**

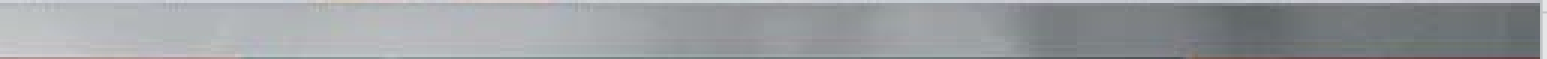
The kitchen can be one of the quietest rooms in the house. The new QuietPower™ VI sound package was designed to reduce audible noise associated with washing dishes, while extended insulation seals in sounds from top to bottom.





Refrigeration

Cooking Products



Microwave Ovens

Dishwashers



Clothes Care



Water Systems



Air Conditioning



# GE Profile™ Fully Integrated Dishwashers

**These models include** • ENERGY STAR®-qualified • Fully integrated door • Bright annealed stainless steel interior • Removable upper rack • Tall-Over-Tall™ towerless nylon rack design • QuietPower™ VI with concealed ActiveVent • Fold-down tine flexibility • ExtraClean™ wash system with three direct-feed wash arms • Fan-assist dry • Audible end-of-cycle signal • Child lockout • NSF-certified anti-bacterial selection • Cookware selection • China/Crystal selection • Automatic HotStart™ enhancement

**Note: bold = feature upgrade from previous model**



## GE Profile Fully Integrated Dishwasher

**PDW9880JSS** Stainless steel

• **Exclusive full wrap contour door** • Four-position adjustable upper rack • Countdown display with 1-24-hour Delay Start • Pearlescent™ nylon racks • 100% fold-down tines, including adaptable bowl tines in lower rack • Four sets fold-down tines and two sets multi-position fold-down tines in upper rack • Four sets nylon-coated Pearlescent metal utility shelves with StemSafe™ system • SpeedCycle™ selection • Glasses selection • Plastics Cycle • Add-A-Dish light • Profile rack handle, upper • 3-piece silverware basket • ExtraBasket™ • Cutlery tray

**PDW9800JWW** White on white (not shown)

**PDW9800JCC** Bisque on bisque (not shown)

**PDW9800JBB** Black on black (not shown)



As an ENERGY STAR® partner, GE has determined that this product meets the ENERGY STAR® guidelines for energy efficiency.



## GE Profile Fully Integrated Dishwasher

**PDW9700JII** Custom panel

• **Panel required** • Four-position adjustable upper rack • Countdown display with 1-24-hour Delay Start • Pearlescent nylon racks • 100% fold-down tines, including adaptable bowl tines in lower rack • Four sets fold-down tines and two sets multi-position fold-down tines in upper rack • Four sets nylon-coated Pearlescent metal utility shelves with StemSafe™ system • SpeedCycle selection • Glasses selection • Plastics Cycle • Add-A-Dish light • Profile rack handle, upper • 3-piece silverware basket • ExtraBasket • Cutlery tray



As an ENERGY STAR® partner, GE has determined that this product meets the ENERGY STAR® guidelines for energy efficiency.

Not all features available on all models. For additional features, specifications and color availability, refer to page 223.



NSF Protocol for sanitization and cleaning performance of household spray-type dishwashers. (1997)





*GE Profile*  
*Fully Integrated Dishwasher*

**PDW9200JCC** Bisque on bisque  
 • Exclusive full color wrap contour door • Nylon racks with color-matched components • Two sets fold-down tines in lower rack  
 • 2/4/8-hour Delay Start • 16-place setting capacity • ExtraFine™ filter • ExtraClean™ sensor • Super capacity silverware basket

**PDW9280JSS** Stainless steel (not shown)

**PDW9200JWW** White on white (not shown)

**PDW9200JBB** Black on black (not shown)



As an ENERGY STAR® partner, GE has determined that this product meets the ENERGY STAR® guidelines for energy efficiency.

# GE Profile™ Stainless Built-In Dishwashers

**These models include** • ENERGY STAR®-qualified • Stainless steel 304 commercial grade interior and door liner • ExtraClean™ wash system with three direct-feed wash arms • ExtraFine™ filter • ExtraClean sensor • Automatic temperature control • NSF-certified anti-bacterial selection • Cookware selection • China/Crystal selection • Automatic HotStart™ enhancement • Nylon racks • Removable upper rack • New QuietPower™ V sound package with heat-bonded bitumen, Thinstall™ insulation and ActiveVent II • Multi-wattage heating element

Note: bold = feature upgrade from previous model



Bright annealed stainless steel interior resists odor and corrosion.



100% fold-down tines in the lower rack.



Four-position adjustable removable upper rack provides enough flexibility to hold a 20-gallon stockpot.



QuietPower V sound package includes heat-bonded bitumen to deaden sound.

Not all features available on all models. For additional features, specifications and color availability, refer to page 223.



## GE Profile Stainless Dishwasher

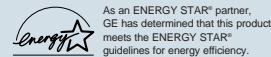
**PDW8600JBB** Black on black

- **Exclusive seamless, one-piece color wrap contour door** • Countdown display with six status lights
- 1-9-hour Delay Start • Glasses selection
- SpeedCycle™ selection • Pearlescent™ nylon racks
- Four-position adjustable/removable upper rack
- Four sets StemSafe™ system in upper rack • Four sets fold-down tines and two sets multi-position fold-down tines in upper rack • 100% fold-down tines in lower rack • ExtraBasket™

**PDW8680JSS** Stainless steel (not shown)

**PDW8600JWW** White on white (not shown)

**PDW8600JCC** Bisque on bisque (not shown)



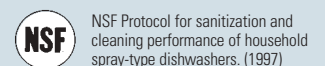
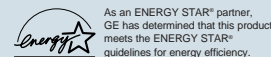
## GE Profile Stainless Dishwasher

**PDW8500JWW** White on white

- **Long, flat door** • CustomStyle™ panel trim kit available
- Countdown display with six status lights • 1-9-hour Delay Start • Glasses selection • SpeedCycle selection
- Pearlescent nylon racks • Four-position adjustable/removable upper rack • **Four sets StemSafe in upper rack** • **Four sets fold-down tines and two sets multi-position fold-down tines in upper rack**
- **100% fold-down tines in lower rack** • ExtraBasket

**PDW8500JCC** Bisque on bisque (not shown)

**PDW8500JBB** Black on black (not shown)





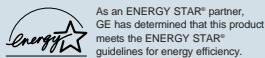
*GE Profile  
Stainless Dishwasher*

**PDW8400JCC** Bisque on bisque  
 • Exclusive seamless, one-piece color wrap contour door  
 • Countdown display with six status lights • 1-9-hour Delay Start • SpeedCycle selection • PreWash enhancement option • Pearlescent nylon racks • Four-position adjustable/removable upper rack • Two sets StemSafe system in upper rack • Two sets fold-down tines and one set multi-position fold-down tines in upper rack • Two sets fold-down tines in lower rack • Three-piece modular silverware basket

**PDW8480JSS** Stainless steel (not shown)

**PDW8400JWW** White on white (not shown)

**PDW8400JBB** Black on black (not shown)



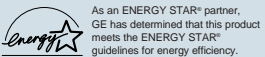
*GE Profile  
Stainless Dishwasher*

**PDW8200JBB** Black on black  
 • Exclusive seamless, one-piece color wrap contour door  
 • Tall-Over-Tall™ racking • 2/4/8-hour Delay Start  
 • One “Clean” light and one “Sanitized” light • Two sets fold-down tines in lower rack • Super capacity silverware basket

**PDW8280JSS** Stainless steel (not shown)

**PDW8200JWW** White on white (not shown)

**PDW8200JCC** Bisque on bisque (not shown)





# GE Profile™ Built-In Dishwashers

**These models include** • ENERGY STAR®-qualified • ExtraClean™ wash system • ExtraFine™ filter • ExtraClean™ sensor • Automatic temperature control • Inlaid light-touch electronic controls • Countdown display with six status lights • NSF-certified anti-bacterial selection • Cookware selection • China/Crystal selection • SpeedCycle™ selection • Added heat enhancement • Automatic HotStart™ enhancement • Tall-Over-Tall™ nylon rack system with CleanTip tines **Note: bold = feature upgrade from previous model**



Certified to exceed ENERGY STAR guidelines for energy efficiency.



Tall-Over-Tall towerless rack design accommodates tall items like 9-1/4" glasses in the upper rack and a 20-quart stockpot in the lower rack.



The ExtraClean sensor design continually monitors every cycle and adjusts for water soil content, water temperature, wash cycle length and the amount of water needed to clean dishes efficiently.



The ExtraClean wash system has three direct-feed wash arms to clean every spot on every dish.

Not all features available on all models. For additional features, specifications and color availability, refer to page 224.



## GE Profile Built-In Dishwasher

- PDW7880JSS** Stainless steel exterior
- Exclusive seamless one-piece color wrap contour door • 12 touchpads • 1-9-hour Delay Start option
  - Glasses selection • Four-position adjustable upper rack
  - Four sets fold-down tines and two sets multi-position tines in upper rack • 100% fold-down tines in lower rack
  - Four utility shelves with StemSafe™ system • ExtraBasket™ Plus insulation • QuietPower™ IV sound insulation package with Thinstall™
  - Multi-wattage heating element
- PDW7800JWW** White on white (not shown)  
**PDW7800JCC** Bisque on bisque (not shown)  
**PDW7800JBB** Black on black (not shown)

As an ENERGY STAR® partner, GE has determined that this product meets the ENERGY STAR® guidelines for energy efficiency.



- PDW7700JWW**  
White on white (not shown)  
**PDW7700JCC**  
Bisque on bisque (not shown)

## GE Profile Built-In Dishwasher

- PDW7700JBB** Black on black
- Long, flat door • CustomStyle™ panel trim kit available • 12 touchpads • 1-9-hour Delay Start option
  - Glasses selection • Four-position adjustable upper rack • Four sets fold-down tines and two sets multi-position tines in upper rack • 100% fold-down tines in lower rack
  - Four utility shelves with StemSafe system • ExtraBasket • QuietPower IV sound insulation package with Thinstall Plus insulation • ActiveVent II system
  - Trimless design • Multi-wattage heating element

As an ENERGY STAR® partner, GE has determined that this product meets the ENERGY STAR® guidelines for energy efficiency.



- PDW7300JWW**  
White on white (not shown)  
**PDW7300JBB**  
Black on black (not shown)

## GE Profile Built-In Dishwasher

- PDW7300JCC** Bisque on bisque
- Exclusive seamless one-piece color wrap contour door • 11 touchpads • 1-9-hour Delay Start option
  - Four-position adjustable upper rack • Two sets fold-down tines and one set multi-position fold-down tines in upper rack • Two sets fold-down tines in lower rack
  - Four utility shelves with StemSafe system • Super capacity three-piece modular silverware basket • QuietPower IV sound insulation package with Thinstall Plus insulation • ActiveVent II system • Trimless design • Multi-wattage heating element

As an ENERGY STAR® partner, GE has determined that this product meets the ENERGY STAR® guidelines for energy efficiency.

**NSF** NSF Protocol for sanitization and cleaning performance of household spray-type dishwashers. (1997)

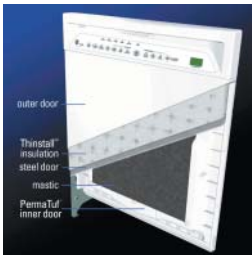
# GE Triton™ XL Built-In Dishwashers

**These models include** • ENERGY STAR®-qualified • XtraClean™ wash system • XtraFine™ filter • XtraClean sensor • Automatic temperature control • Inlaid light-touch electronic controls • NSF-certified anti-bacteria cycle • Pots & Pans cycle • China/Crystal cycle • Automatic HotStart™ option • Super capacity silverware basket • QuietPower motor • Trimless design • Multi-wattage heating element

Note: bold = feature upgrade from previous model



Certified to exceed ENERGY STAR guidelines for energy efficiency.



The QuietPower IV sound insulation package, featuring Thinstall Plus insulation and mastic, keeps noise inside where it belongs.



The XtraClean sensor design continually monitors every cycle and adjusts for water soil content, water temperature, wash cycle length and the amount of water needed to clean dishes efficiently.



## GE Triton XL Built-In Dishwasher

### GSD6900JWW White on white

- **Contour door** • **Countdown display with six status lights** • 10 touchpads
- **SpeedCycle** • **1-9-hour Delay Start** • **Four-position adjustable upper rack with CleanTip tines** • Lower rack with CleanTip tines and two sets fold-down tines • Super capacity three-piece modular silverware basket • ActiveVent II system • QuietPower IV sound insulation package with Thinstall Plus insulation
- **Four utility shelves**



As an ENERGY STAR® partner, GE has determined that this product meets the ENERGY STAR® guidelines for energy efficiency.

### GSD6900JCC

Bisque on bisque (not shown)

### GSD6900JBB

Black on black (not shown)



**GSD6860JSS** Stainless steel exterior (shown above) Same features as GSD6900, but with a long, flat door and straight control panel



## GE Triton XL Built-In Dishwasher

### GSD6600GBB Black on black

- Long, flat door • **Six status lights** • 10 touchpads • **SpeedCycle** • **Tall-Over-Tall™ nylon rack system with CleanTip tines** • **Two sets fold-down tines in lower rack** • Super capacity three-piece modular silverware basket • ActiveVent II system
- **QuietPower IV sound insulation package with Thinstall Plus insulation** • Two utility shelves



As an ENERGY STAR® partner, GE has determined that this product meets the ENERGY STAR® guidelines for energy efficiency.



## GE Triton XL Built-In Dishwasher

### GSD6200JWW White on white

- Long, flat door • One “Clean” light and one “Sanitized” light • 9 touchpads
- **Tall-Over-Tall rack system with CleanTip tines** • Super capacity three-piece modular silverware basket • QuietPower III sound package with ActiveVent II system • Two utility shelves



As an ENERGY STAR® partner, GE has determined that this product meets the ENERGY STAR® guidelines for energy efficiency.

### GSD6660GSS

Stainless steel (not shown)

### GSD6600GWW

White on white (not shown)

### GSD6600GCC

Bisque on bisque (not shown)

### GSD6260JSS

Stainless steel (not shown)

### GSD6200JCC

Bisque on bisque (not shown)

### GSD6200JBB

Black on black (not shown)

# GE Triton™ Built-In Dishwashers



TriClean wash system has three wash arms that provide complete coverage, eliminating pre-rinsing, soaking and scrubbing.

Not all features available on all models.

For additional features, specifications and color availability, refer to page 225.



## GE Triton Built-In Dishwasher

### GSD5560GSS Black/Stainless

- **ENERGY STAR®-qualified** • **TriClean™ wash system** • **Electronic controls** • **Variable cycles/options** • **China/Crystal cycle** • **2/4/8-hour Delay Start option** • **Super upper rack** • **Super lower rack** • **Super capacity silverware basket** • QuietPower motor • Trimless design • Steel door • CleanSensor • SaniWash cycle
- **Light Wash cycle** • **QuietPower II sound package**



As an ENERGY STAR® partner, GE has determined that this product meets the ENERGY STAR® guidelines for energy efficiency.

**GSD5500GCC** Bisque on bisque (not shown)

**GSD5500GWW** White on white (not shown)

**GSD5500GBB** Black on black (not shown)



NSF Protocol for sanitization and cleaning performance of household spray-type dishwashers. (1997)

# GE Nautilus™ Built-In Dishwashers

**These models include** • Normal Wash cycle • Rinse Only cycle • Heated Dry option • Rinse aid dispenser • QuietPower™ motor

• Trimless design **Note: bold = feature upgrade from previous model**



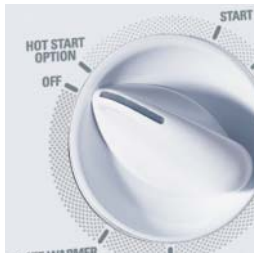
Certified to exceed ENERGY STAR guidelines for energy efficiency.



PowerScrub™ wash system has two wash arms mounted on top and lower levels, plus a spray tower in the middle.



Enjoy a more peaceful kitchen with our QuietPower motor.



HotStart™ option preheats prior to main wash for great wash performance every time.



GE Nautilus Built-In Dishwasher

**GSD4800GWW** White on white

- PowerScrub wash system • Piranha™ hard food disposer • **Electronic controls** • 5 cycles/34 options
- China/Crystal cycle • **2/4/8-hour Delay Start option** • **Hi-Temp Wash and Rinse options** • **Child lock option** • Deluxe Plus upper rack • Deluxe lower rack • Deluxe silverware basket • Two utility shelves
- QuietPower I sound package

**GSD4800GCC**

Bisque on bisque (not shown)

**GSD4800GBB**

Black on black (not shown)



GE Nautilus Built-In Dishwasher

**GSD4260JSS** Black/Stainless

- **7 cycles/39 options** • PowerScrub wash system • Piranha hard food disposer • **TouchTap™ controls**
- Pots & Pans cycle • **Heavy Wash cycle** • **China/Crystal cycle** • Short Wash cycle • **1-6-hour Delay Start option** • Hi-Temp Wash option • HotStart option • **Super upper rack** • Deluxe lower rack • Deluxe silverware basket • **Two utility shelves** • QuietPower I sound package



As an ENERGY STAR® partner, GE has determined that this product meets the ENERGY STAR® guidelines for energy efficiency.

**GSD4200JWW**

White on white (not shown)

**GSD4200JCC**

Bisque on bisque (not shown)

**GSD4200JBB**

Black on black (not shown)



GE Nautilus Built-In Dishwasher

**GSD3200JBB** Black on black

- **5 cycles/22 options** • PowerScrub wash system • Piranha hard food disposer • **Pots & Pans cycle** • Short Wash cycle • Plate Warmer cycle • **Hi-Temp Wash option** • **Deluxe upper rack** • Deluxe lower rack • Deluxe silverware basket • **QuietPower I sound package**



As an ENERGY STAR® partner, GE has determined that this product meets the ENERGY STAR® guidelines for energy efficiency.

**GSD3200JWW**

White on white (not shown)

**GSD3200JCC**

Bisque on bisque (not shown)



GE Nautilus Built-In Dishwasher

**GSD2200GWW** White on white

- **ENERGY STAR®-qualified** • **5 cycles/12 options** • **Pots & Pans cycle** • HotStart option • Deluxe lower rack
- Deluxe silverware basket • **QuietDesign™ sound package** • Short Wash cycle • **Plate Warmer cycle**



As an ENERGY STAR® partner, GE has determined that this product meets the ENERGY STAR® guidelines for energy efficiency.

**GSD2200GCC**

Bisque on bisque (not shown)

**GSD2200GBB**

Black on black (not shown)

**GSD2201GWW**

White on white (not shown)

- Power cord attached



GE Nautilus Built-In Dishwasher

**GSD2000GCC** Bisque on bisque

- 4 cycles/9 options • HotStart option • Deluxe lower rack • Deluxe silverware basket • Standard sound package • Short Wash cycle

**GSD2000GWW**

White on white (not shown)

**GSD2000GBB**

Black on black (not shown)

**GSD2001GWW**

White on white (not shown)

- Power cord attached

Not all features available on all models. For additional features, specifications and color availability, refer to page 226.



# GE Nautilus Convertible Dishwashers

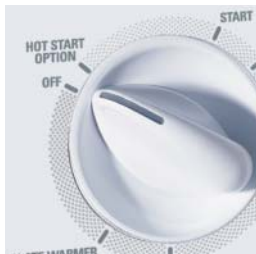
**These models include** • ENERGY STAR®-qualified • PowerScrub wash system • Five wash levels • Piranha hard food disposer • Pots & Pans cycle • Normal Wash cycle • Short Wash cycle • Plate Warmer cycle • Rinse Only cycle • Heated Dry option • Hi-Temp Wash option • HotStart option • **Super upper rack** • **Deluxe lower rack** • QuietDesign sound package • QuietPower motor • Woodgrain laminate top • Trimless design **Note: bold = feature upgrade from previous model**



PowerScrub wash system has two wash arms mounted on top and lower levels, plus a spray tower in the middle.



Enjoy a more peaceful kitchen with our QuietPower motor.



HotStart option preheats prior to main wash for great wash performance every time.



Piranha hard food disposer pulverizes food particles, eliminating the need to pre-rinse dishes.



Portable now



Built-in later



## GE Nautilus Convertible Dishwasher

**GSC3400JWW** White on white

**GSC3400JBB** Black on black (not shown)

• 7 cycles/39 options • TouchTap controls • China/Crystal cycle • 1-6-hour Delay Start option • Deluxe split silverware basket • Rinse aid dispenser with indicator



As an ENERGY STAR® partner, GE has determined that this product meets the ENERGY STAR® guidelines for energy efficiency.



## GE Nautilus Convertible Dishwasher

**GSC3200JBB** Black on black

**GSC3200JWW** White on white (not shown)

• 5 cycles/22 options • Deluxe silverware basket



As an ENERGY STAR® partner, GE has determined that this product meets the ENERGY STAR® guidelines for energy efficiency.

Not all features available on all models. For additional features, specifications and color availability, refer to page 227.

# GE Spacemaker® Under-the-Sink Dishwashers



Installed under a single sink



Installed under a cooktop

## GE Spacemaker Under-the-Sink Dishwasher

**GSM2100GWW** White on white  
**GSM2100GCC** Bisque on bisque

- ENERGY STAR®-qualified • 5 cycles/12 options
- Two wash levels • Pots & Pans cycle • Normal Wash cycle • Short Wash cycle (on dial) • Plate Warmer cycle (on dial) • Rinse Only cycle (on dial) • HotStart™ option • PermaTuf® tub
- Spacemaker upper rack • Deluxe lower rack
- Deluxe silverware basket • QuietPower™ motor

Note: Under-the-Sink dishwashers can be installed under GE cooktop models JP201C and JP202D. Refer to cooktop installation instructions.



As an ENERGY STAR® partner, GE has determined that this product meets the ENERGY STAR® guidelines for energy efficiency.



# Spacemaker 18" Built-In Dishwasher



## GE Spacemaker 18" Built-In Dishwasher with Stainless Interior

**GSM1800JBB** Black on black

- ENERGY STAR®-qualified • Long, flat door • 7 cycles/12 options
- Stainless steel tub and door liner • China/Crystal cycle • Plate Warmer cycle • Nylon towerless lower rack

**GSM1800JWW** White on white (not shown)



As an ENERGY STAR® partner, GE has determined that this product meets the ENERGY STAR® guidelines for energy efficiency.

## GE Spacemaker 18" Built-In Dishwasher

**GSS1800HBB** Black on black (not shown)

- 6 cycles/10 options • Two wash cycles • Pots & Pans cycle
- Heavy Wash cycle • Normal Wash cycle (on dial) • Light Wash cycle (on dial) • Heated Dry option • Standard silverware basket

**GSS1800HWW** White on white (not shown)

Discontinued October, 2003. While quantities last.



As an ENERGY STAR® partner, GE has determined that this product meets the ENERGY STAR® guidelines for energy efficiency.

For additional features, specifications and color availability, refer to pages 227-228.

# GE Disposall®—Food Waste Disposers

**These models include** • Stainless steel, dual-swivel, anti-jam grinding blades • EZ-Mount installation • Stainless steel sink flange • Manual reset overload protector • Removable splash guard (continuous feed models only) • Sink stopper • Drain connector kit

Note: bold = feature upgrade from previous model



**GFC1020F**



**GFC720F**



**GFC530F/  
GFC535F**



**GFC520F/  
GFC525F**



**GFC320F/  
GFC325F**



**GFB760F**

GE®  
Continuous Feed Disposers

**GFC1020F**

• Heavy-duty 1 HP motor • 2800 RPM grinding action • Super capacity • QuietPower III sound insulation package • One-year full replacement plus six-year limited warranty\*

**GFC720F**

• Heavy-duty 3/4 HP motor • 2700 RPM grinding action • Super capacity • QuietPower II sound insulation package • One-year full replacement plus four-year limited warranty\*

**GFC530F**

• Heavy-duty 1/2 HP motor • 2600 RPM grinding action • Extra-large capacity • QuietPower I sound insulation package • One-year full replacement plus two-year limited warranty\*

**GFC535F**

Similar to GFC530 but has attached line cord

**GFC520F**

• Heavy-duty 1/2 HP motor • 2600 RPM grinding action • Large capacity • Standard sound insulation package • One-year full replacement plus one-year limited warranty\*

**GFC525F**

Similar to GFC520 but has attached line cord

**GFC320F**

• 1/3 HP motor • 1900 RPM grinding action • Large capacity • Standard sound insulation package • One-year full replacement warranty\*

**GFC325F**

Similar to GFC320 but has attached line cord

GE  
Batch Feed Disposer

**GFB760F**

• Heavy-duty 3/4 HP motor • 2700 RPM grinding action • Super capacity • QuietPower II sound insulation package • One-year full replacement plus four-year limited warranty\*

\*See written warranty for details.

## Built-In Compactors



**GE Profile™**  
*Built-In Compactor*

**GCG1540FSS** Stainless steel  
• Built-in only • 1.4 cu. ft. capacity  
• 1/3-horsepower • Removable key lock  
• Toe pedal opener • Rear wheels allow easy movement and installation  
• Heavy-gauge steel construction

**GCG1530FWW** White on white (not shown)

**GCG1550FCC** Bisque on bisque (not shown)

**GCG1520FBB** Black on black (not shown)

For additional features, specifications and color availability, refer to page Z30.



Introducing the first washer that communicates with the dryer.

The new GE Profile Harmony™ clothes care system

harnesses the power of communication to

simplify the laundry process. But it's not all talk.

The HydroWash™ system provides thorough, yet

gentle, cleaning action. And the DuoDry™ system

delivers unmatched drying performance. What's

more, spacious stainless

steel interiors make

Harmony the largest-

capacity laundry pair

available. There's

simply nothing

quite like it.



\*Washes equivalent amount of clothes as 4.0 cu. ft. agitator machine, per IEC ratios.

#### Communication

The washer communicates electronically with the dryer, which then presets dry cycles for better clothes care, increased time savings and greater convenience.



#### HydroWash system

HydroWash system achieves frontload wash performance with topload convenience. It gently and thoroughly cleans almost all types of clothes, without agitation.



#### 4.0 cu. ft. capacity\* washer

Offers the industry's largest wash capacity—king-size stainless steel basket washes up to 24 bath towels.



#### 7.3 cu. ft. capacity dryer

Stands up to the toughest, largest loads with a king-size stainless steel drum and durable double-paned glass door.





Refrigeration

Cooking Products

Microwave Ovens

Dishwashers

Clothes Care

Water Systems

Air Conditioning



# GE Profile Harmony™ Clothes Care System



*DPGT750ECPL/GCPL shown  
with WPGT9350CPL*

## Washer Features



Washer communicates electronically with the dryer which then presets dry cycles for better clothes care, increased time savings and greater convenience.



Stain Inspector™ system treats more than 65 common stains, from grass stains to grease. It's the best stain removal system available.\*

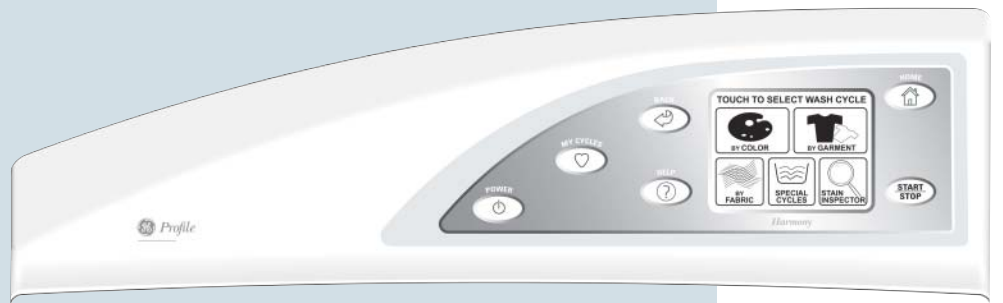


Centrifusion. A centrifugal wash action infuses the detergent solution through clothes for gentle cleaning.



King-size, 4.0 cu. ft.\*\* stainless steel basket makes room for more items, which means less time doing laundry.



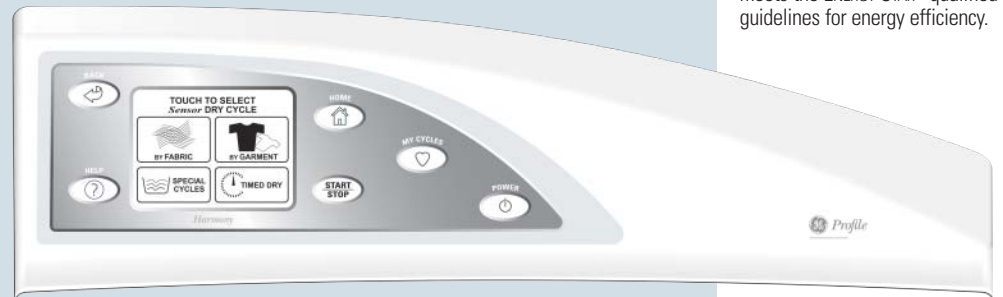


**GE Profile Harmony**  
4.0 cu. ft.\*\* King-Size Capacity Washer  
**WPGT9350C**

- Communicates with dryer • Reversible control panel • Infusor™
- HydroWash system • ENERGY STAR®-qualified • Flow-thru™ dispenser system • Stain Inspector system • Stainless steel wash basket • 1010 RPM max. spin speed • LCD touch screen controls
- Auto load sensing • Adaptive fill • Multiple cycles • Auto balance suspension system • Direct drive motor • Supreme quiet performance • Six custom cycles • Variable end-of-cycle signal



As an ENERGY STAR® partner, GE has determined that this product meets the ENERGY STAR®-qualified guidelines for energy efficiency.



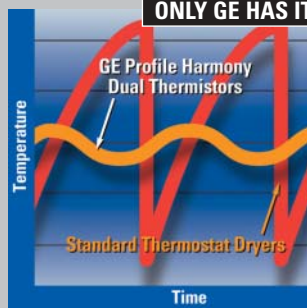
**GE Profile Harmony**  
7.3 cu. ft. King-Size Capacity Dryer  
**DPGT750EC/DPGT750GC**

- Listens to the washer • Reversible control panel • Dual electronic thermistors • Separate blower and tumble motors • Moisture sensor with two sensing bars • Adaptive cool-down • Double-paned glass window • Variable heater • Long venting capabilities (up to 150 ft. of equivalent ducting) • Stainless steel drum • LCD touch screen controls • Multiple cycles • Supreme quiet performance • Six custom cycles • Variable end-of-cycle signal • An extra length (10-ft.) communication cable, Pub. No. 14-A013, is available at additional cost.

**Dryer Features**



**ONLY GE HAS IT!**



**ONLY GE HAS IT!**



**ONLY GE HAS IT!**



DuoDry™ system uses dual motors and dual thermistors to quickly and consistently dry clothes. It's the fastest premium dryer you can buy.

Dual electronic thermistors continually monitor air temperatures to provide even heat for optimal drying performance. And a variable heater delivers constant heat, eliminating extreme temperature changes.

Delicate cycle maintains an average fabric temperature of 125°F to protect fine handwashables.

King-size, 7.3 cu. ft. stainless steel drum handles king-size items and family-size loads, which means fewer loads per week.

Not all features available on all models. For additional features, specifications and color availability, refer to pages 231-233.

# GE Profile™ Washers and Dryers

**These washers include** • Fully electronic, one-touch controls • Stainless steel basket • Adaptive Logic™ system • PerfecTemp Plus wash system • ENERGY STAR®-qualified • GentlePower™ Agitator • Bleach dispenser • Fabric softener dispenser • Exclusive auto balance suspension system • 2nd rinse • Cycle countdown **Note: bold = feature upgrade from previous model**

**These dryers include** • Fully electronic, one-touch controls • Stainless steel drum • Adaptive Logic™ system • Sensor Dry Plus • Delicate cycle with extra-low setting • Dewrinkle • Deluxe dryer rack • Removable upfront lint filter • Reverse-A-Door • Dryer interior light

**Note: bold = feature upgrade from previous model**

## Best



### GE Profile

3.5 cu. ft. King-Size Capacity Washer

**WPRB9220D**

- Multiple wash cycles • **35 wash/spin speed combinations** • Ultra Handwash • Speed Wash • Stain Wash • 2 custom cycles • Variable end-of-cycle signal
- Variable-speed motor • Bleach signal • **Delay start**
- Luxury quiet performance



### GE Profile

7.0 cu. ft. King-Size Capacity Dryer

**DPSB620EC/DPSB620GC**

- **Dual Thermistor heat management** • Sensor Dry Plus
- Speed Dry • 5 heat selections • **Load size selection**
- Antibacterial cycle • 2 custom cycles • Extended tumble plus • Multiple drying cycles • Damp dry signal • Variable end-of-cycle signal • Delay start
- Luxury quiet performance

## Better



### GE Profile

3.5 cu. ft. King-Size Capacity Washer

**WPRB9110D**

- Multiple wash cycles • **10 wash/spin speed combinations** • Ultra Handwash • Speed Wash • Stain Wash • 2 custom cycles • SpotSpray • Bleach signal
- 4 water levels • Variable end-of-cycle signal
- Variable-speed motor • Luxury quiet performance



### GE Profile

7.0 cu. ft. Super Capacity Dryer

**DPSB619ED/DPSB619GD**

- Sensor Dry Plus • **Speed Dry** • 5 heat selections
- **Antibacterial cycle** • **Dryel® cycle** • 2 custom cycles
- Extended tumble plus • Multiple drying cycles
- **Damp dry signal** • Variable end-of-cycle signal
- **Delay start** • Luxury quiet performance

Not all features available on all models.  
For additional features, specifications and color availability, refer to pages 231-233.

Washer Features



As an ENERGY STAR® partner, GE has determined that the WPRB9220D, WPRB9110D and WPRB8050D meet the ENERGY STAR®-qualified guidelines for energy efficiency.

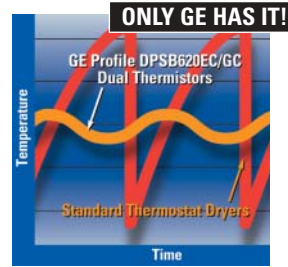


Ultra Handwash is ideal for clothes that require extra-special treatment. It simulates handwashing by starting at a low speed to loosen soil and stains, then alternating with periods of soaks.

Dryer Features



Delicate cycle protects heat-sensitive fabrics by ensuring the average fabric temperature is 125°F.



Instead of using a thermostat, the new Perfect Dry system uses a dual-thermistor sensing system to ensure the level of dryness is right for the load. For most loads, wash and dry times are matched.\*

Good



As an ENERGY STAR® partner, GE has determined that this product meets the ENERGY STAR® guidelines for energy efficiency.

**GE Profile**  
3.5 cu. ft. King-Size Capacity Washer  
**WPRB8050D**

- Multiple wash cycles • 6 wash/spin speed combinations • Pulsed handwash • 4 water levels
- SpotSpray • End-of-cycle signal • 2-speed motor
- Luxury quiet performance



**GE Profile**  
7.0 cu. ft. Super Capacity Dryer  
**DPSB613ED/DPSB613GD**

- Sensor Dry Plus • 5 heat selections • Extended tumble plus • Multiple drying cycles • Variable end-of-cycle signal
- Luxury quiet performance

\*Similar fabrics of typical mixed loads.



# GE® Washers and Dryers

## These washers include

- Exclusive auto balance suspension system
- Rotary controls

Note: bold = feature upgrade from previous model



King-size capacity washes more at one time, saving you frustration, energy and money.



The GentlePower™ agitator adapts to the clothes load, providing gentle and effective washing action.



The exclusive auto balance suspension system keeps the washer balanced even if the load is unbalanced.



SpotSpray, a 7-second burst of water, allows you to pretreat a stain before adding the clothes to the wash. It's like having a sink in your washer.

## These dryers include

- Rotary controls
- Removable upfront lint filter
- Reverse-A-Door

Note: bold = feature upgrade from previous model



GE dryers provide custom dry cycles to gently care for your clothes.



An extra-wide opening provides easy access to the 7.0 cu. ft. of total dryer capacity.

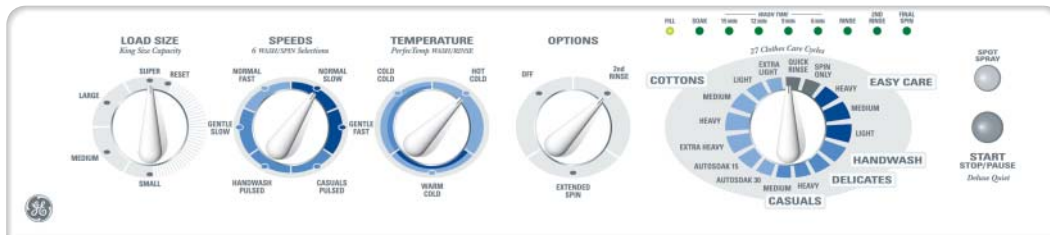


Reverse-A-Door is the ultimate in flexibility. Change door swing to accommodate your laundry area.



Upfront lint filter is close at hand for cleaning, optimizing dryer performance.

## Best



- GE**  
**3.5 cu. ft. King-Size Capacity Washer**  
**WCRE6270D**
- Stainless steel basket • 6 wash/spin speed combinations
  - 27 wash cycles • 3 wash/rinse temperatures • 4 water levels
  - PerfectTemp wash system
  - Quick rinse • Extended spin
  - Cycle status lights • SpotSpray
  - 2nd rinse



- GE**  
**7.0 cu. ft. Super Capacity Dryer**  
**DRSR483ED/DRSR483GD**
- Stainless steel drum • 8 drying cycles • 4 heat selections
  - Variable end-of-cycle signal
  - Wrinkle care • Interior dryer light



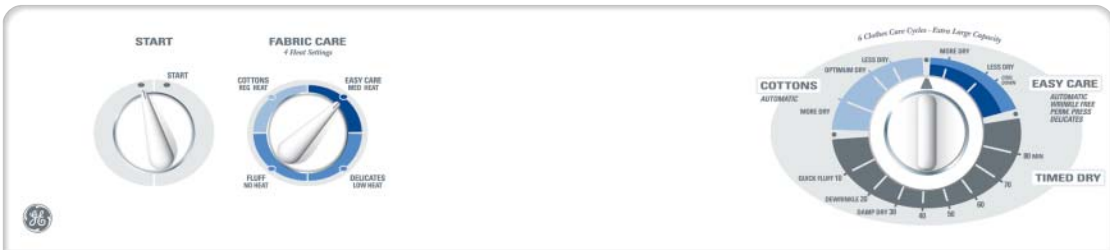
- GE**  
**6.0 cu. ft. Extra-Large Capacity Dryer**  
**DWXR483EB/DWXR483GB** (not shown)
- 8 drying cycles • 4 heat selections
  - Variable end-of-cycle signal • Wrinkle care
  - Interior dryer light
  - DWXR483GB available in White on white only

Not all features available on all models. For additional features, specifications and color availability, refer to pages 232-233.

Better



**GE**  
 3.2 cu. ft. Super Capacity Plus Washer  
**WCSR4170D**  
 • 4 wash/spin speed combinations • 17 wash cycles • 3 wash/rinse temperatures  
 • 4 water levels



**GE**  
 6.0 cu. ft. Extra-Large Capacity Dryer  
**DBXR463ED/DBXR463GD**  
 • 6 drying cycles • 4 heat selections • Interior dryer light • End-of-cycle signal (fixed)

Good



**GE**  
 3.2 cu. ft. Super Capacity Washer  
**WCSR2090D**  
 • 2 wash/spin speed combinations • 9 wash cycles • 3 wash/rinse temperatures  
 • 3 water levels



**GE**  
 6.0 cu. ft. Extra-Large Capacity Dryer  
**DJXR433EC/GC**  
 • 3 drying cycles • 4 heat selections

# GE Profile™ and GE® Front-Loading Washers and Dryers

## The solution to a tight situation.

The GE stackable washer and dryer pair has a unique configuration that eases its way into any situation, whether it's a hallway or a closet. And wherever it is—out of the way or out of sight—this laundry pair gives you the capacity you need to finish the laundry in minimal time.



*Built-In Installation  
WPXH214A shown with DPXH46EA/DPXH46GA*



## Washer Features

As an ENERGY STAR® partner, GE has determined that this product meets the ENERGY STAR guidelines for energy efficiency.



Automatic water fill eliminates guesswork and water waste. Automatically adjusts to the load type by adding water. Water fill level remains below the door.



Automatic dispenser automatically dispenses detergent, bleach and fabric softener at just the right time in the wash cycle.



## Dryer Feature

The sturdy dryer rack is designed to dry items such as washable sneakers and stuffed animals, and is easy to insert and remove.

*Stack Installation  
WPXH214A shown with  
DPXH46EA/DPXH46GA  
(stacking kit included with dryer)*





**GE Profile**  
Front-Loading Washer  
**WPXH214A**



- ENERGY STAR®-qualified model • Reverse wash action • Uses 40% less water and energy
- 3.1 IEC extra-large capacity • High-efficiency washer • **14 wash cycles • 7 wash/rinse temperatures** • Automatic water level adjustment • Extra-Rinse Cycle/Auto Option
- **AutoTemp • Quick Wash • ColorLogic™** • Adjustable final spin speed • Detergent tray
- Fabric softener dispenser • Bleach dispenser • Fixed end-of-cycle signal • **Deluxe quiet**
- Available in White on white and Bisque on bisque



**GE Profile**  
Front-Loading Dryer  
**DPXH46EA/GA**

- 5.7 cu. ft. extra-large capacity • Tumble drying • **Sensor Dry** • Timed Dry cycle
- **6 Auto Dry cycles** • 4 temperature options • **2 Wrinkle Care cycles** • Dryer rack
- Fixed end-of-cycle signal • Reverse-A-Door • **ColorLogic** • Available in White on white and Bisque on bisque



**GE**  
Front-Loading Washer  
**WWSX208A**



- ENERGY STAR®-qualified model • Reverse wash action • Uses 40% less water and energy
- 3.1 IEC extra-large capacity • High-efficiency washer • 8 wash cycles • 4 wash/rinse temperatures • Automatic water level adjustment • Extra-Rinse Cycle/Auto Option, 3 standard rinse cycles • Detergent tray • Fabric softener dispenser • Bleach dispenser



**GE**  
Front-Loading Dryer  
**DSXH43EA/GA**

- 5.7 cu. ft. extra-large capacity • Tumble drying • Timed Dry cycle • 4 temperature options
- End-of-cycle signal • Dryer interior light • Reverse-A-Door • Dryer rack

Not all features available on all models. For additional features, specifications and color availability, refer to page 235.

# GE Spacemaker® Portable/Stationary Washers and Dryers



Extra-large, 2.5 cu. ft. stainless steel basket with lint filters.



Easily accessible detergent/fabric softener dispenser.

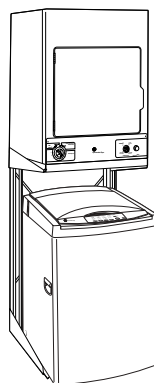


**GE**  
**120V Portable Topload Washer**  
**WSLP1100AWW/WH** White on white or white with black controls  
 • 24" 2.5 cu. ft. extra-large capacity  
 • Stainless steel basket • 1 wash/spin speed • 10 cycles • 4 wash/rinse temperatures • 4 water levels • Load sensing • Electronic controls • Digital countdown • Bifold lid • Bleach dispenser • Fabric softener dispenser • Lint filters • Easy-roll rollers

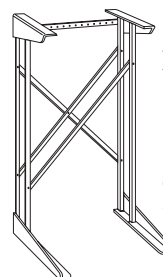
**120V Stationary Topload Washer**  
**WLS1100A** White on white (not shown)



**GE**  
**120V Stationary Washer**  
**WSKS2060WWW/WH**  
 White on white or white with black controls  
 • 2.0 cu. ft. large capacity  
 • 2 wash/spin speeds • 6 cycles  
 • 3 wash/rinse temperatures  
 • 4 water levels • Solid lid  
 • Unicouple connector quickly attaches to a faucet adaptor



DSDR24D shown with WLS1100A Washer and DSKS433EB Dryer



**DSDR24D**  
**Stack Rack White** (only)  
 (Available at additional cost)  
 • For use with portable or stationary Spacemaker washers and stationary dryers



**GE**  
**240V Stationary Dryer**  
**DSKS433EBWW/WH**  
 White on white and white with black controls  
 • 3.6 cu. ft. capacity • 3 drying cycles • 4 heat selections

**WMK-35** Wall-Mount Kit  
 (Available at additional cost, applies only to stationary models.)



**GE**  
**120V Stationary Dryer**  
**DSKS333ECWW/WH**  
 White on white and white with black controls  
 • 3 drying cycles • 3 heat selections • 15-amp dryer cord attached

**WMK-35** Wall-Mount Kit  
 (Available at additional cost, applies only to stationary models.)



**GE**  
**120V Portable Dryer**  
**DSKP333ECWW**  
 White on white  
 • 3 drying cycles • 3 heat selections • 15-amp dryer cord attached

## Unitized GE Spacemaker Washers and Dryers

## Stacked Commercial Dryers



**GE**  
**Full-Size 27" Unitized Washer/Dryer**  
**WSM2700D** Electric  
**WSM2780D** Gas  
 White on white (Electric model also available in Bisque on bisque)  
 • 2.7 cu. ft. extra-large capacity washer features 3 cycles, 3 wash temperature options, 3 water level selections • Dryer features automatic dry control as well as 4 cycles

**GE**  
**24" Unitized Washer/Dryer**  
**WSM2420D** Electric  
**WSM2480D** Gas  
 White on white (Electric model also available in Bisque on bisque)  
 • 1.9 cu. ft. large capacity washer features 3 cycles, 3 wash/rinse temperatures, 3 water levels • Dryer features automatic dry control as well as 4 cycles

**GE**  
**Stacked Dryer**  
**DDC4400D** Electric Dryer  
**DDC4500D** Gas Dryer  
 • 5.4 cu. ft. large capacity • 3 cycles  
 • 3 heat selections • Stacked pair  
 • "ON" indicator light • 100% front serviceable • Shipped preassembled

## Commercial Coin Front-Loading Washer and Dryer



Automatic water fill eliminates guesswork and water waste. Automatically adjusts to the load type by adding water. Water fill level remains below the door.



Automatic dispenser automatically dispenses detergent, bleach and fabric softener at just the right time in the wash cycle.



**GE**  
**Commercial Coin Front-Loading Washer**  
**WCCH404V** White  
 • 2.7 cu. ft. extra-large capacity • ENERGY STAR®-qualified • Reverse wash action • 3/wash, 1/rinse temperature • Automatic water level adjustment • 4 wash cycles (Color Cottons, Permanent Press, White Cottons, Delicates) • Stainless steel wash basket • Detergent dispenser • Fabric softener dispenser • Bleach dispenser • Reverse wash action • Complies with ADA Standards, uses 40% less energy and water



As an ENERGY STAR® partner, GE has determined that this product meets the ENERGY STAR® guidelines for energy efficiency.

**Commercial Coin Front-Loading Matching Dryer**  
**DCCH43EA/GA** (not shown)  
 • 5.7 cu. ft. extra-large capacity • 3 dry cycles • 3 heat selections

Not all features available on all models.  
 For additional features, specifications and color availability, refer to pages 239-240.



# Commercial Smart Card Washers and Dryers

## Washers



BridgePoint Smart Laundry™ card reader.



The exclusive auto balance suspension system keeps the washer balanced even if the load is unbalanced.



### GE® Commercial BridgePoint Smart Card Washer WNCJ2050D White

- 2.7 cu. ft. extra-large capacity • 2-speed motor • 5 wash cycles • 3 wash/spin speed combinations • 3 wash/rinse temperatures • 4 water levels (adjustable)
- Digital countdown cycle • Color Cottons • Bright Colors • Permanent Press
- White Cottons • Delicates • Quiet Package • Lid instructions • LED indicators
- BridgePoint Smart Laundry reader • Alphanumeric display • Control card



### GE Commercial ESD Smart Card Washer WNCK2050D White

- 2.7 cu. ft. extra-large capacity • 2-speed motor • 5 wash cycles • 3 wash/spin speed combinations • 3 wash/rinse temperatures • 4 water levels (adjustable)
- Digital countdown cycle • Color Cottons • Bright Colors • Permanent Press
- White Cottons • Delicates • Quiet Package • Lid instructions • LED indicators
- ESD Smart Card reader • Alphanumeric display • Control card



## Dryers



ESD smart card reader.



An extra-wide opening provides easy access to the 7.0 cu. ft. of total dryer capacity.



### GE Commercial BridgePoint Smart Card Dryer DNCJ440EA/GA White

- 7.0 cu. ft. super capacity • Improved dry time • 4 dry cycles • 4 heat selections • Digital cycle countdown • Quiet Package • Lockable lint filter
- Reverse-A-Door • LED indicators • BridgePoint Smart Laundry reader
- Alphanumeric display • Control card



### GE Commercial ESD Smart Card Dryer DNCK440EA/GA White

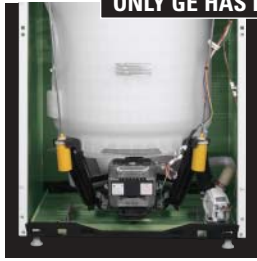
- 7.0 cu. ft. super capacity • Improved dry time • 4 dry cycles • 4 heat selections • Digital cycle countdown • Quiet Package • Lockable lint filter
- Reverse-A-Door • LED indicators • ESD Smart Card reader
- Alphanumeric display • Control card



Not all features available on all models. For additional features, specifications and color availability, refer to page 240.

# Commercial Washers and Dryers

**ONLY GE HAS IT!**



Washer is 100% front serviceable with all operational parts. Dryer is serviceable without moving the unit.



## GE Super Capacity Washers

### WCCD2050D

- 3.2 cu. ft. super capacity
- 2-speed motor • 5 wash cycles
- 3 water levels (adjustable)
- 3 wash/rinse temperatures
- 2 wash/spin speed combinations
- Electronic cycle countback
- 24-minute wash cycle (plus fill time)

### WLCD2050D (not shown)

- 3.2 cu. ft. super capacity • Long cycle countdown • 31.5 minute wash cycle (plus fill time) • Available in white only

### WCRD2050D (not shown)

Similar to WCCD2050D except has stainless steel basket and 3.5 cu. ft. capacity.

### Single-Speed Washer

### WCCB1030D (not shown)

- 3.2 cu. ft. super capacity • 3 wash cycles • 1 wash/spin speed combination



Unique upswept design provides a contemporary look and makes cleaning easy.



## GE Super Capacity Dryers

### DCCD330ED/GD

- 7.0 cu. ft. super capacity
- Improved dry time • Electronic cycle countback • Automatic Dry Control • 3 cycles • 3 heat selections
- Upfront lint filter • 100% front serviceable • Reverse-A-Door

### DCCB330ED/GD (not shown)

- 7.0 cu. ft. super capacity • Improved dry time • Automatic Dry Control • 3 cycles • 3 heat selections • Upfront lint filter • 100% front serviceable • Reverse-A-Door



The GentlePower™ agitator adapts to the clothes load, providing gentle and effective washing action.



## GE Commercial Washer and Dryer Braille Kit

- Braille control panel overlays to fit on the WNRD2050D and DNCD450EA/GA • Braille instructions for placement on control panels
- Instructional audio cassette (Available at additional cost)



ArmorGuard protection provides a rust-resistant durable finish to the washer top and lid.

## GE Super Capacity Plus Non-Coin Commercial Washer

### WNRD2050D

- 3.5 cu. ft. super capacity plus • Stainless steel basket • 2-speed motor • 5 wash cycles • Exclusive auto balance suspension system
- 4 water levels • 3 wash/spin speed combinations • 3 wash/rinse temperatures • Spin only • Digital cycle countdown • LED indicators for fill, wash, rinse and final spin • Bleach dispenser
- Fabric softener dispenser • Deluxe quiet package



As an ENERGY STAR® partner, GE has determined that this product meets the ENERGY STAR® guidelines for energy efficiency.

## Super Capacity Non-Coin Commercial Dryer

### DNCD450EA/GA

- 7.0 cu. ft. super capacity • 5 dry cycles • 4 temperatures • Air dry
- Cycle countdown • Deluxe quiet package • LED indicators for door open, drying, cool down, clean lint filter • Lockable lint filters
- Reverse-A-Door

**For more details and information on Commercial Laundry, see Pub. Nos. 14-S143 and 14-S133.**

**For detailed exhausting information, see pages 236-237.**

Not all features available on all models. For additional features, specifications and color availability, refer to page 241.

# Cleaner, healthier better-tasting water.

Our bodies are nearly 70% water. So protecting  
water quality is one of the most important things  
you can do for yourself, your family and your home.

Fresh, clean water is consistently ranked as  
one of the highest quality-of-life factors, so it's  
nice to know improving water is easy with GE

SmartWater™ filtration and softening systems.

Together they provide healthy,

better-tasting water and

a home that's cleaner,

more efficient and more

livable overall. Choose

GE SmartWater for the

most essential element

of a healthy lifestyle.



## Healthy water

A healthy lifestyle begins with drinking  
at least eight glasses of water  
every day. Filtering will reduce many of  
the chemicals found in tap water.



## Better-tasting water

Filtered water tastes better,  
whether it's straight from the tap or in  
beverages like coffee, tea, and juice.



## Great for cooking

Cooking with filtered water  
provides great-tasting foods.



## Softer water

Soft water leaves your skin  
feeling softer. Laundry  
and clothes look cleaner.  
And, it makes your home  
easier to clean.





# GE SmartWater™ Softening Systems

## Choosing the right water softener will let you see a difference in your home.

Softened water is good for you and your home. Not only will you notice how much better softened water feels on your skin, you'll also notice that soft water gets your dishes cleaner, makes your laundry softer and brighter with less detergent and helps your showers, sinks and tubs stay cleaner longer. With a high-efficiency GE SmartWater softener, you can be assured of only using enough salt and water to meet your demands, and no more. Whichever GE SmartWater softener you choose, you'll notice immediate improvements throughout your home!

### These models include

- Large 200-pound salt storage
- Ultra high-efficiency resin uses less salt and less water
- Flexible demand-initiated regeneration system
- Extra-wide opening allows easier loading of salt
- 24-volt electronic system
- Installation kit



Towels get 45% whiter using 1/3 less detergent. Clothes are softer, cleaner, brighter and last longer.



Dishes get cleaner, using less soap. Hard water spotting is no longer a problem.



### GE® Water Softener GNSH45E

- 45,000-grains per regeneration cycle
- Advanced electronic water management system with status indicator light
- High-flow valve model for homes with up to 1-1/4" plumbing
- Clear-water iron removal, up to 10 ppm

### GE Water Softener GXSH39E

- 39,000-grain per regeneration cycle
- Advanced electronic water management system with status indicator light
- High-flow valve model for homes with up to 1-1/4" plumbing
- Clear-water iron removal, up to 8 ppm

### GE Water Softener GXSF27E (not shown)

- 27,000-grain per regeneration cycle
- Standard electronic monitor
- Standard-flow valve for homes with up to 1" plumbing
- Clear-water iron removal, up to 4 ppm



Models GNSH45E and GXSH39E



Model GXSF27E



GE Exclusive "days-to-empty" feature.

Not all features available on all models. For additional features, specifications and color availability, refer to page 243.

# GE SmartWater™ Drinking Water Filtration Systems

## What type of drinking water filtration should you choose?

If you're one of the many Americans concerned about water quality, you should consider a SmartWater system. Our premium filtration Reverse Osmosis and Carbon Filtration system help reduce contaminants such as lead, cysts and some chemicals, and remove unpleasant tastes and odors. And no matter which system you choose, you'll find several options for easy installation.

### Reverse Osmosis System

GE's best filtration process combines dual carbon filtration with Reverse Osmosis technology. This process can be found in all premium filtration units which reduce up to 99% of many contaminants.

### Carbon Filtration System

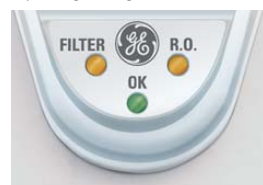
Our most popular filtration systems use precarbon and postcarbon (dual-stage) filters to improve water quality. Easy to install and maintain, these systems offer a wide variety of filter options to reduce contaminants.

## Monitored Premium Drinking Water Filtration: Reverse Osmosis

GE's best filtration process reduces up to 99%\* of the elements shown in the table below:

Reduces		
Arsenic	Cysts	Nitrate/Nitrite
Sulfate	Ammonia	Magnesium
Tannins	Copper	Sediment
Chlorine	Taste & Odor	
Rust	Lead	And More!
Chromium	Sodium	

The SmartWater faucet with electronic monitor clearly indicates when filters and membrane need replacing. Designed to work with a primary faucet,



the SmartWater faucet is used only when filtered water is needed, extending filter life. Batteries are included.

Also available Reverse Osmosis replacement filters: FX12P, FX12M and FX18P.



Certified by NSF, the most highly recognized independent testing institution in the water treatment industry. NSF inspects, tests and certifies our product performance.

\*Elements reduced are not necessarily present in your water. See product specification sheet, packed with product, for specific elements reduced by model, or call the GE Answer Center® toll-free, 800.626.2000.

\*\*As tested and validated by the Water Quality Association using Standard S-300.

Note: Depends on water pressure, temperature and total dissolved solids.

SmartWater only sold through authorized distributors.

Not all features available on all models.

For additional features, specifications and color availability, refer to page 242.



### GE Profile™

#### PNRV18ZWW

White on white faucet and monitor

- Super capacity provides up to 18 gallons\*\* of high-quality filtered water per day

- All-in-one system needs less space for installation than conventional models
- Installation flexibility allows the system to be installed vertically or horizontally under a counter, in the basement, or in any other convenient location
- Designer-style faucet allows you to customize the faucet color to complement your kitchen

#### PNRV18ZCC (not shown)

- Bisque on bisque faucet and monitor

#### PNRV18ZBB (not shown)

- Black on black faucet and monitor

#### PNRV18ZWH (not shown)

- Chrome on white faucet and monitor

#### PNRV18ZBL (not shown)

- Chrome on black faucet and monitor



### GE Profile

#### PNRV12ZBL

Chrome on black faucet and monitor

- Extra-large capacity provides up to 12 gallons\*\* of high-quality filtered water per day

- Simple installation means system can be installed easily under a counter, in a basement, or other convenient location



System includes tank and long-reach faucet with monitor.

# Premium Drinking Water Filtration: Reverse Osmosis

GE's best filtration process reduces up to 99%\* of the elements shown in the table below.

<b>Reduces</b>		
<b>Arsenic</b>	<i>Cysts</i>	<i>Nitrate/Nitrite</i>
<b>Sulfate</b>	<i>Ammonia</i>	<i>Magnesium</i>
<b>Tannins</b>	<i>Copper</i>	<i>Sediment</i>
<b>Chlorine</b>	<i>Taste &amp; Odor</i>	
<b>Rust</b>	<i>Lead</i>	<b>And More!</b>
<b>Chromium</b>	<i>Sodium</i>	

SmartWater™ faucet is designed to work with a primary faucet. This short-reach, chrome on black faucet is used only when filtered water is needed, extending filter life.

Also available Reverse Osmosis replacement filters: FX12P, FX12M and FX18P.



Certified by NSF, the most highly recognized, independent testing institution in the water treatment industry. NSF inspects, tests and certifies our product performance.



**GE GXRV10ABL**  
 Chrome on black faucet  
 • Large capacity provides up to 10 gallons\*\* of high-quality filtered water per day  
 • Simple installation means system can be installed easily under a counter, in a basement, or other convenient location



System includes tank and short-reach faucet.

# Drinking Water Filtration: Dual- and Single-Stage Carbon

**Note: bold = feature upgrade from previous model**

SmartWater faucet is designed to work with a primary faucet. This long-reach, chrome on black faucet is used only when filtered water is needed, extending filter life.



System rated for 600 gallons of water.

Simple installation means the system can be installed easily under a counter, in a basement, or other convenient location.



Certified by NSF, the most highly recognized, independent testing institution in the water treatment industry. NSF inspects, tests and certifies our product performance.



<b>Reduces</b>		
<i>Chemicals/VOC</i>	<i>Cysts</i>	<i>Chlorine: Taste &amp; Odor</i>
<i>Mercury</i>	<i>Asbestos</i>	<i>Sediment</i>
<i>Lead</i>	<i>Turbidity</i>	<i>Rust</i>

**GE GNSV30C/GNSV25C**  
 • **Chemical/VOC lead and cyst reduction filters included (FXSVC dual pack)**

Customize your faucet to match your kitchen with a choice of faucet colors.



GNSV30CWW  
 White on white



GNSV30CCC  
 Bisque on bisque



<b>Reduces</b>		
<i>Lead</i>	<i>Lindane</i>	<i>Chlorine: Taste &amp; Odor</i>
<i>Mercury</i>	<i>Cysts</i>	<i>Sediment</i>
<i>Atrazine</i>	<i>Turbidity</i>	<i>Rust</i>

**GE GNLS05CBL**  
 • **Lead and cyst reduction filters included (FXSLC dual pack)**



**GE GN1S15CBL**  
 • Short-reach faucet without monitor also available

\*Elements reduced are not necessarily present in your water. See product specification sheet, packed with product, for specific elements reduced by model, or call the GE Answer Center™ toll-free, 800.626.2000.

\*\*As tested and validated by the Water Quality Association using Standard S-300.

Note: Depends on water pressure, temperature and total dissolved solids.

SmartWater only sold through authorized distributors.

Not all features available on all models.

For additional features, specifications and color availability, refer to pages 242-243.



# C

omforting solutions.

Selecting a **GE® air conditioner** is not only good for

the occupant and guests, it's a decision that will

leave you resting comfortably as well. You can't

go wrong with any of our units, from our newest

**Vertical Zonline®** that allows any room to have

a more **homelike appearance** to our traditional

Zonline packaged terminal air conditioners and

built-in models. All GE air conditioners

are engineered to give many years of

**dependable service** with a full

complement of standard features

and a variety of exclusive GE

features. They're designed for

**hassle-free installation** and

**easy maintenance.**



## Vertical Zonline®

GE's new vertical packaged terminal air conditioners offer all the benefits of a traditional PTAC system with the aesthetics and versatility of central air.



## Zonline®

Versatile Zonline Packaged Terminal Air Conditioners are ideal for hotels and motels, office buildings, schools and apartments.



## Built-In

GE built-in air conditioners are designed for high energy efficiency with EER ratings as high as 9.5 for Heat/Cool models and 9.2 for Heat Pump models.







Refrigeration

Cooking Products

Microwave Ovens

Dishwashers

Clothes Care

Water Systems

Air Conditioning



# GE Vertical Packaged Terminal Air Conditioners



## Exclusive GE Features:

- Unique sleeve design makes units easier to install.
- Three-way, slide-out chassis with specially designed case makes maintenance and service quick and easy.
- Electronic Temperature Limiting prevents expensive overheating and overcooling (requires RAVRMS accessory).

## Standard Features Include:

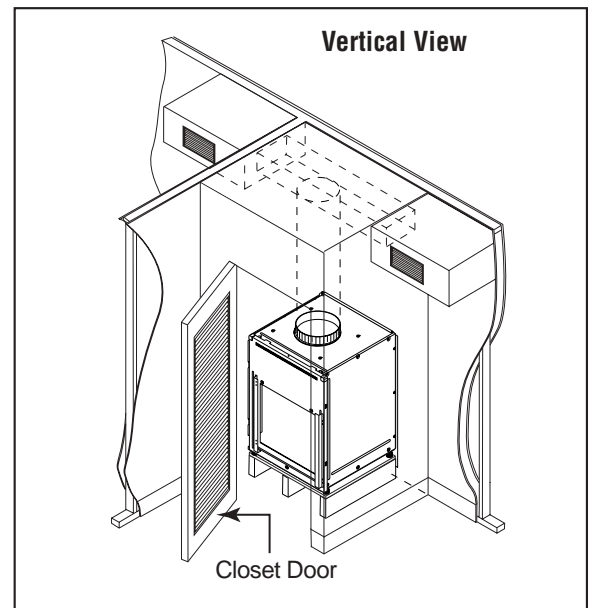
- Freeze Sentinel™ guards against freeze damage in unoccupied rooms (requires RAVRMS accessory).
- Central Desk Control capability can reduce operating costs.
- Full Corrosion Treatment on outside coils and other components is standard.
- Ideal for hotels, motels, office buildings, schools and apartments.
- Vertical design to optimize floor space.
- Unit is concealed in a closet with exterior wall, no need to decorate around wall-mounted unit.
- Room appears much more homelike due to the ducted unit.
- Single unit can be used to cool multiple rooms.
- Each unit controlled by a remote wall thermostat.
- Quiet operation further muffled by surrounding walls with insulation and drywall.

All Zoneline® Vertical and Packaged Terminal Air Conditioners are compatible with GE wall-mounted thermostats for remote operation.



## Accessories

Model #	Description	Size
RAVAL1	Exterior Grille	19 3/4" W x 32" H
RAVRG1	Access Panel (in lieu of door)	28" W x 48" H Cutout
RAVRG2	Return Air Grille	20 3/8" W x 20 3/8" H Cutout
RAVRMS	Freeze Sentinel™/Temperature Limiting Room Air Sensor	
RAK163D1	Solid State Digital Manual Changeover Thermostat (5 connection wires required)	
RAK163P1	Solid State Digital Programmable Auto Changeover Thermostat (5 connection wires required)	
RAK147D1	Solid State Digital Manual Changeover Thermostat (6 connection wires required)	
RAK147P1	Solid State Digital Programmable Auto Changeover Thermostat (6 connection wires required)	
RAVWP6	Plenum (up to 6" Wall Thickness)	19-3/4" W x 32" H
RAVWP8	Plenum (up to 8" Wall Thickness)	19 3/4" W x 32" H
RAVWP12	Plenum (up to 12" Wall Thickness)	19 3/4" W x 32" H
RAVWP15	Plenum (up to 15" Wall Thickness)	19 3/4" W x 32" H



## Minimal Clearances:

- Front: Allow 4 inches in front of unit. When determining closet depth, note that Plenum may protrude into closet up to 4 inches, depending on wall depth.
- Sides: Allow 3 inches on each side of unit.
- For side access closets only: Allow 5 inches on the side where access is required.
- Platform: Note: an 8"-12" high, field-supplied platform is recommended for drain access.

Not all features available on all models.  
For additional features, specifications and color availability, refer to page 244.



# Zonline®: Heat Pump and Heat/Cool Models

Refrigeration

Cooking Products

Microwave Ovens

Dishwashers

Clothes Care

Water Systems

Air Conditioning



Versatile Zonline units provide year-round comfort with individual heating and cooling temperature control for economy and convenience.

Designed to blend with most architectural styles and interior decors, Zonline units are adaptable to a wide variety of applications, including hotels and motels, office buildings, schools and apartments. Zonline's design and easy installation also make it ideal for remodeling and room additions.

The two Zonline Series Deluxe and Premium, offer a wide selection of features, heating and cooling capacities, and voltages to meet each zonal application. All Zonline units come with microcomputer controls, each with its own special features. Whether it's the Deluxe line with solid-state controls, high efficiency, and deluxe features, or the Premium line with higher efficiencies and sophisticated features, Zonline quality and ease of maintenance will serve its owner or users well for years to come.

## Resistance Heat Models

GE Zonline packaged terminal units with resistance heat are especially suited for installations where heating demands are moderate.

## Heat Pump Models

Zonline units with heat pump operation offer economical year-round comfort for zonal comfort conditioning, for most temperatures. Heating is provided by a high-efficiency heat pump. The heat pump operation is backed up with resistance heat for those times when outdoor temperatures fall below the heat pump capacity.

## Deluxe Line

The Deluxe Line is a high-efficiency, two fan motors, microcomputer controlled line of cooling with resistance heat, and cooling with heat pump operation and resistance heat backup. Energy savings, plus standard features make these units an excellent value.

## Dry Air 25

The Dry Air 25 Series centers around GE's exclusive use of the patented Dinh® Dehumidifier Heat Pipe from Heat Pipe Technology, Inc. This innovative NASA spin-off technology enables the Dry Air 25 to remove 25% more moisture from the air than standard units. The Dry Air 25 is perfect for high-humidity climates. Available on 7000, 9000 and 12,000 BTU Resistance Heat models.

Note: Use of drain kit RAD10 is recommended.

## Premium Line

The Premium Line features high-efficiency, two fan motors, full-featured, microcomputer controlled line, cooling with heat pump and resistance heat backup. The microprocessor, with solid-state sensors, offers a variety of features for energy savings and reliable operation.

## Easy Installation

Zonline models are designed for easy installation, whether in new construction, renovation or for replacement of old units. Unless specified by code, they require no sub-base and may be installed flush with the finished floor.

All models are adaptable to remote and central desk control. Zonline units may even be placed in unusual locations, such as transom or common area installations.

Compatibility with existing Zonline wall cases simplifies retrofit installations. A new chassis simply slides into the already installed wall case. A new matching rear grille should be used.

And the exclusive, Quick Connect power supply kit for Premium Line models, allows the unit to be installed on various amperage circuits.

## 2500 Series Deluxe Resistance Heat Standard Microcomputer Controls



## Dry Air 25 Series Deluxe Resistance Heat Standard Microcomputer Controls



## 3500 Series Deluxe Heat Pumps Standard Microcomputer Controls

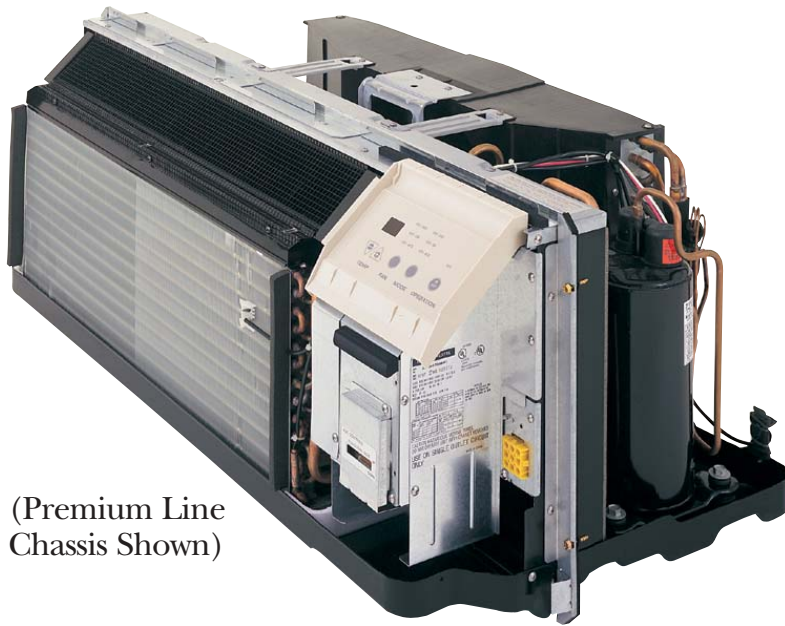


## 5500 Series Premium Heat Pumps Highly-Featured Microcomputer Controls



Not all features available on all models. For additional features, specifications and color availability, refer to pages 244-246.

# Zonline®: Heat Pump and Heat/Cool Models (cont.)



(Premium Line Chassis Shown)

Features	Resistance Heat		Heat Pump	
	Deluxe 2500 Series	Deluxe Dry Air 25	Deluxe 3500 Series	Premium 5500 Series
Standard Microcomputer Controls	Standard	Standard	Standard	—
Highly Featured Microcomputer Controls	—	—	—	Standard
Rotary Control Knobs	Standard	Standard	Standard	—
Tactile Touch Pad Controls with LED	—	—	—	Standard
Universal Heaters/Power Connection Kit	—	—	—	Standard
Solid-State Thermostat	Standard	Standard	Standard	Standard
Concealed Manual Vent Control	Standard	Standard	Standard	Standard
Upfront Filter	Standard	Standard	Standard	Standard
Automatic Indoor Frost Control	Standard	Standard	Standard	Standard
Corrosion Treated Chassis	Optional	Standard	Optional	N/A
2-Position Discharge Grille	Standard	Standard	Standard	Standard
Fan Motors	2	2	2	2
Fan Cycle Switch	Standard	Standard	Standard	Standard
Fan Only Setting—2-Speed	Standard	Standard	Standard	Standard
Indoor Fan Speed	Hi/Auto	Hi/Auto	Hi/Auto	Hi/Low/Auto
Staged Heating	—	—	—	Standard
Freeze Sentinel™	Standard	Standard	Standard	Standard
Temperature Limiting	Electronic 7 Step	Electronic 7 Step	Electronic 7 Step	Electronic 7 Step
Remote Control Compatibility (Requires RAKOIM)	Standard	Standard	Standard	Standard
Central Desk Control Compatibility	Standard	Standard	Standard	Standard
Service Indicator LED	—	—	—	Standard
Heat Pump with resistance heat back-up	—	—	Standard	Standard
Heat Pump with supplemental resistance heat	—	—	—	Standard
Automatic Emergency heat	—	—	Standard	Standard
Electric Resistance heat lock-out	—	—	—	Standard
Heat Pump Defrost system	—	—	Passive	Reverse Cycle
Internal Condensate Removal (ICR)	—	—	Optional	Optional
Quick Heat Recovery	—	—	Standard	Standard
Self-Diagnostics	—	—	—	Standard
Auto Power Recovery	Standard	Standard	Standard	Standard



Listed by Underwriters Laboratories



Not all features available on all models. For additional features, specifications and color availability, refer to pages 244-246.

## The Newest Innovation From GE®: The Dry Air 25

The Dry Air 25 features innovative technology from Heat Pipe Technology, Inc., an addition which enables this unit to remove 25% more moisture from the air than standard models. The Dry Air 25 system, Heat Pipe, is a hermetically sealed heat transfer surface that is saddle-bagged around the indoor coil (evaporator) of the Zonline. This coil arrangement will transfer heat from one coil to another without power consumption. This assembly uses R-22 as the refrigerant and is isolated from the regular Zonline refrigerant circuit.

As warm, humid air is pulled through the pre-cool section of the Heat Pipe, the heat removed from the air is absorbed by the refrigerant, causing the refrigerant to boil. As the pre-cooled air passes through the Zonline evaporator, the air is further cooled (colder than it would be normally), removing 25% more moisture than standards units.

As the cold air passes through the re-heat section of the Heat Pipe, the refrigerant condenses and the liquid flows back to the pre-cool section to be re-heated again. The air discharged into the room by this process is much drier, creating a more comfortable room condition.

## All Zonline Units Feature Superseal

Air leakage into living space wastes energy and creates an uncomfortable environment. All Zonline units meet the rigid air infiltration specifications of ASTME283-91 which requires 7 CFM infiltration or less with a 25 mile per hour wind velocity. With optional ICR the specification is 10 CFM.

Water infiltration into a room could cause serious structural or furnishing damage.

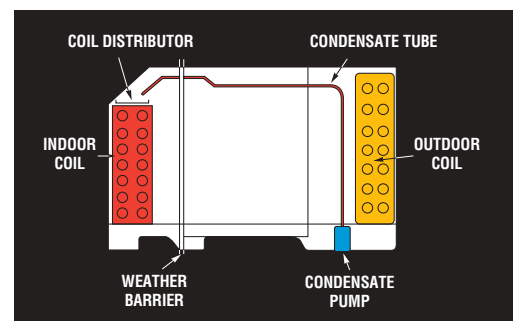
All Zonline units are tested to ASTME331-86 specifications which require no water infiltration when exposed to 8" per hour rainfall at 63 mile per hour wind velocity for 15 minutes. Superseal means room comfort and energy saving.

## Special Corrosion Protected Units

To help extend the life of the Zonline in seacoast areas, some Deluxe Zonelines may be ordered with a special corrosion protection treatment on outdoor components and use stainless steel hardware. Zonelines with optional Corrosion Protection have a 'C' in the 10th character of the model number.

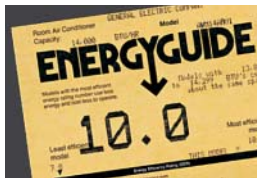
## Internal Condensate Removal

Available on the 3500 and 5500 heat pumps, this feature drips the heat pump condensate over the warm indoor coil to help dissipate water from heat pump operation and associated defrost cycles. The installation of an internal or external drain system is recommended if no dripping of condensate to the outdoors is desired. ICR must not be installed in seacoast or corrosive applications.



# Built-In “J” Series: Regular Mount Chassis Only Models

**These models include** • Variable setting thermostat • Fan Cycle switch • Four-way air direction  
 • Up-front, washable air filter • “Fan Only” setting for air circulation



E.E.R. (Energy Efficiency Ratio) shown on the tag of each new unit, compares the air conditioner’s cooling output with the electricity it requires for power. The higher the E.E.R. number, the more efficient the unit, and the less costly to operate.

Fan Cycle Switch helps reduce power consumption and operating costs.



**Cool Only Units**  
 Offer a variety of capacities to cool many applications.

**Heat/Cool Units**  
 Provide a variety of capacities for summer cooling, plus supplemental heat for cold weather—units combine air conditioning with electric resistance heat.

**Heat Pump Units**  
 Heat pump units offer efficient summer cooling with reverse cycle heating and back-up resistance heat for cold weather.

Units include attractive room-side grille of high-impact polystyrene. These units are chassis-only models and require a separately purchased solid-sided wall case (RAB46, RAB47 or RAB48) and exterior grille (RAG13 or RAG14E) for installation.



## Cool Only Units

Models	BTUH Cooling	Volts	EER	BTUH Electric Resistance Heating	Wall Case
AJCS06LCA	6000	115	9.5	–	RAB46/47/48
AJCS08ACA	8000	115	9.2	–	RAB46/47/48
AJCS10ACA	9900	115	9.2	–	RAB46/47/48
AJCS09DCA	8900/8700	230/208	9.5/9.5	–	RAB46/47/48
AJCS10DCA	9900/9700	230/208	9.2/9.2	–	RAB46/47/48
AJCS12DCA	11,600/11,400	230/208	9.0/9.0	–	RAB46/47/48



## Heat/Cool Units

Models	BTUH Cooling	Volts	EER	BTUH Electric Resistance Heating	Wall Case
AJES09DCA	8900/8700	230/208	9.5/9.5	11,600/9,480	RAB46/47/48
AJES10DCA	9900/9700	230/208	9.2/9.2	11,600/9,480	RAB46/47/48
AJES12DCA	11,600/11,400	230/208	9.0/9.0	11,600/9,480	RAB46/47/48



## Heat Pump Units

Models	BTUH Cooling	Volts	EER	BTUH Electric Resistance Heating	BTUH Reverse Cycle Heating†	Wall Case
AJHS08DCA*	8000/7800	230/208	9.2/9.2	11,600/9,480	7700/7500	RAB46/47/48
AJHS10DCA*	9800/9600	230/208	9.2/9.2	11,600/9,480	9700/9500	RAB46/47/48

\*Model includes two-stage heating thermostat.  
 †At 47°F.

Note: If any “J” Series unit is a replacement unit the existing rear grille should be replaced for better performance with either stamped aluminum (RAG13) grille or architectural louvered extruded aluminum (RAG14E).

Not all features available on all models. For additional features, specifications and color availability, refer to page 247.



# Built-In “J” Series: High-Mount Chassis Only Models

**These models include** • Variable setting thermostat • Fan Cycle switch • Four-way air direction • Up-front, washable air filter • Multiple fan speeds



For high-mount installations where control accessibility is difficult, GE® offers five “J” Series models with controls located in the lower corner of the room-side cabinet. There are two 115V and two 230V cooling only models, and one 230V model with electric heat.

Units include attractive room-side grille of high-impact polystyrene. Each unit requires a solid-sided wall case (RAB46, RAB47 or RAB48) and exterior grille (RAG13 or RAG14E) for installation.

## Cool Only Units



Models	BTUH Cooling	Volts	EER	BTUH Electric Resistance Heating	Wall Case
AJCH08ACA	8000	115	9.2	–	RAB46/47/48
AJCH10ACA	9900	115	9.2	–	RAB46/47/48
AJCH10DCA	9900/9700	230/208	9.2/9.2	–	RAB46/47/48
AJCH12DCA	11,600/11,400	230/208	9.0/9.0	–	RAB46/47/48

## Heat/Cool Unit



Model	BTUH Cooling	Volts	EER	BTUH Electric Resistance Heating	Wall Case
AJEH12DCA	11,600/11,400	230/208	9.0/9.0	11,600/9,480	RAB46/47/48

# Built-In “J” Series: Window/Wall Mount Models

**These models include** • Multiple Cooling/Heating speeds • Vent/Exhaust • Multi-position thermostat • Fan Cycle switch • Easy access filter • Slide-out chassis • EZ Mount window kit (for Cooling Only models)



For convenience and efficiency, GE offers a unique line of units that provide cooling only, cooling with electric heat, and cooling with heat pumps, for use in window or through-the-wall application.

All units include solid-sided sleeve with a slide-out chassis.

## Heat/Cool Units

Models	BTU	EER	Volts	Cools (sq. ft.)	Heater Wattage
AJES06LSA	6,000	9.5	115	170-210	1.2 (kw)
AJES08ASA	8,000	9.2	115	250-350	1.2 (kw)
AJES10DSA	9,900/9,700	9.2/9.2	230/208	425-525	3.4/2.8 (kw)

## Heat Pump Unit

Model	BTU	EER	Volts	Cools (sq. ft.)	Heater Wattage
AJHS08ASA	8,000	9.2	115	250-350	1.2 (kw)

## Cooling Only Units

Models	BTU	EER	Volts	Cools (sq. ft.)
AJCS06LZA	6,000	9.5	115	170-210
AJCS08AZA	8,000	9.2	115	250-350
AJCS10AZA	9,900	9.2	115	425-525



Cooling Only



Heat/Cool, Heat Pump

Not all features available on all models.

For additional features, specifications and color availability, refer to pages 247-248.

# Instant Dimensional & Installation Information

From the speed of a touchtone phone, order installation information to be delivered through your fax machine.



# GE QuickSpecs

# 1-800-432-3729

This automated fax-on-demand system provides a quick reference to product dimensions for Monogram®, GE Profile™, GE® and Hotpoint® appliances.

- **Touchtone Activated**  
Simply follow the voice prompts to make your selection from any touchtone phone.
- **Model Specific Installation Dimensions**  
Select accurate installation dimensions by individual model numbers for virtually every model. Make your selection from the List of Available Documents (available by fax from GE QuickSpecs). Select up to 15 documents per call.
- **Feature and Appearances**  
Feature information and product illustrations are included for most models.
- **Fax Information to Any Fax Telephone Number**  
Once you make your selection, you will be asked to enter the fax telephone number where you wish your request to be faxed (your office, job site, customer). It will be faxed to the specified fax number within 15 minutes.
- **Available 24 Hours a Day, 7 Days a Week**

# Specifications And Installation Information

## Contents

Warranty Information .....	156-159
<b>Refrigerators</b>	
Side-By-Side Refrigerators.....	160, 164-165
CustomStyle™ Side-By-Side Refrigerators .....	161-163
Top-Freezer No-Frost Refrigerators.....	166, 169-171
CustomStyle™ Top-Freezer Refrigerators .....	167-168
Cycle and Manual Defrost Refrigerators .....	172
Wine Cooler.....	173
Spacemaker™ Compact Refrigerators.....	173
Bottom-Freezer Refrigerators .....	174-175
Chest and Upright Freezers.....	176
Optional Refrigerator Panels and Trim Kits.....	177
<b>Cooking Products</b>	
Advantium® Ovens.....	178-179
Trivection™ Ovens.....	180-181
30" Built-In Double Ovens.....	182-183
30" Built-In Single Ovens.....	184-185
27" and 24" Built-In Double Ovens.....	186-187
27" and 24" Built-In Single Ovens.....	188-189
24" Built-In Gas Ovens.....	190
30" and 27" Warming Drawers.....	191
Built-In CleanDesign Cooktops.....	192
Built-In Electric Cooktops.....	193
Built-In Downdraft Cooktops.....	194-195
Built-In Gas Cooktops.....	196
Select-Top™ Modular Downdraft Cooktops .....	197-198
Built-In Downdraft Gas Modular Cooktops.....	198
30" Slide-In Electric Ranges.....	199-200
30" Slide-In Gas Ranges .....	201-202
30" Drop-In Electric Ranges .....	203-204
Spacemaker™ 27" Drop-In Electric Ranges.....	205
30" Free-Standing CleanDesign Electric Ranges.....	206
30" Free-Standing QuickClean™ Electric Ranges .....	207-208
40" Electric Ranges.....	208
30" Free-Standing Gas Ranges.....	209-211
Slide-Out Hoods .....	212
Telescopic Downdraft Systems.....	213
36" and 30" Designer Hoods .....	214
High-Performance, Performance, Deluxe and Standard Hoods .....	215
<b>Microwave Ovens</b>	
Spacemaker® Convection/Microwave Ovens.....	216
Spacemaker® Microwave Ovens.....	217 & 219
Convection/Microwave Wall Ovens.....	218
Countertop Microwave Ovens .....	220
Spacemaker II™ Microwave Ovens .....	221
Compact Microwave Ovens.....	221
Microwave Optional Oven Trim Kits.....	222
<b>Dishwashers</b>	
Built-In Dishwashers .....	223-226
Convertible and 18" Built-In Dishwashers .....	227
Undersink Dishwashers.....	228
Dishwasher Accessories .....	229
Disposers and Compactors .....	230
<b>Clothes Care</b>	
Washers.....	231-232
Dryers .....	233-234
Front-Loading Washer and Dryer .....	235
Dryer Exhausting and Installation Information.....	236-237
Spacemaker® Washers and Dryers.....	238-239
Commercial Washers and Dryers .....	240-241
<b>Water Systems</b> .....	
<b>Air Conditioning</b>	
Vertical Packaged Terminal Air Conditioning .....	244
Zoneline® .....	245-246
Built-In "J" Series Units and Heat Pumps.....	247
Window/Built-In "J" Series Units and Heat Pumps.....	248
Nomenclatures.....	249-251

# Warranty Information\*

The condensed list below is a convenient overview of the written warranties offered on various GE appliances described in this catalog. For complete warranty details on a specific GE appliance model, contact your nearest GE supplier, or call GE Factory Service, toll-free, 800-GE-CARES (800-432-2737).

## Refrigerators (All models except GMR02BAN, GMR04AAM and GMR06AAP)

For The Period Of	GE Will Replace
<b>One Year</b> From the date of the original purchase	<b>Any part</b> in the refrigerator which fails due to a defect in materials or workmanship. During this <b>full one-year warranty</b> , GE will provide, <b>free of charge</b> , all labor and related service costs to replace the defective part.
<b>Five Years</b> From the date of the original purchase	<b>Any part of the sealed refrigerating system</b> (the compressor, condenser, evaporator and all connecting tubing) which fails due to a defect in materials or workmanship. During this <b>full five-year sealed refrigerating system warranty</b> , GE will also provide, <b>free of charge</b> , all labor and related service costs to replace the defective part.

## Refrigerators and Wine Chillers

(Models GMR02BAN, GMR04AAM and GMR06AAP)

For The Period Of	GE Will Replace
<b>One Year</b> From the date of the original purchase	<b>Any part</b> in the refrigerator which fails due to a defect in materials or workmanship. During this <b>limited one-year warranty</b> , you will be responsible for any labor and related service costs.
<b>Second through Fifth Year</b> From the date of the original purchase	<b>Compressor</b> , if the compressor should fail due to a defect in materials or workmanship. During this <b>additional four-year limited warranty</b> , you will be responsible for any labor and related service costs.

## Freezers

For The Period Of	GE Will Replace
<b>One Year</b> From the date of the original purchase	<b>Any part</b> in the freezer which fails due to a defect in materials or workmanship. During this <b>full one-year warranty</b> , GE will also provide, <b>free of charge</b> , all labor and related service costs to replace the defective part.
<b>Five Years</b> From the date of the original purchase	<b>Any part of the sealed refrigerating system</b> (the compressor, condenser, evaporator and all connecting tubing) which fails due to a defect in materials or workmanship. During this <b>full five-year warranty</b> , GE will also provide, <b>free of charge</b> , all labor and related service costs to replace the defective part.
<b>One Year/ Five Years</b> From the date of the original purchase	<b>Food</b> , for <b>one-year</b> on spoilage due to a defect in any materials or workmanship and for <b>five years</b> on spoilage due to a defect in materials or workmanship in the sealed refrigerating system. Under this <b>limited warranty</b> , a cumulative limit of \$100 for 14.9 cu. ft. and smaller, and \$150 for 15.0 cu. ft. and larger.

## Icemakers

For The Period Of	GE Will Replace
<b>One Year</b> From the date of the original purchase	<b>Any part</b> in the icemaker which fails due to a defect in materials or workmanship. During this <b>full one-year warranty</b> , GE will provide, <b>free of charge</b> , all labor and related service costs to replace the defective part.

## Water Filter

For The Period Of	GE Will Replace
<b>30 Days</b> From the date of the original purchase	<b>Any part</b> of the water filter cartridge which fails due to a defect in materials or workmanship. During this <b>limited 30-day warranty</b> , you will be responsible for any labor and related service costs.

## Advantium Oven

(Models SCA2001FSS, SCA2000FWW/CC/BB, SCB2001FSS, SCB2000FWW/CC/BB)

For The Period Of	GE Will Replace
<b>One Year</b> From the date of the original purchase	<b>Any part</b> of the oven which fails due to a defect in materials or workmanship. During this <b>full one-year warranty</b> , GE will provide, <b>free of charge</b> , all labor and related service costs to replace the defective part.
<b>Ten Years</b> From the date of the original purchase	<b>Halogen Speedcook Lamps</b> , if the halogen lamps fail due to a defect in materials or workmanship. During this <b>full ten-year warranty</b> , GE will provide, <b>free of charge</b> , all labor and related service costs to replace the defective part.
<b>Second through Tenth Year</b> From the date of the original purchase	<b>Magnetron Tube</b> , if the magnetron tube should fail due to a defect in materials or workmanship. During this <b>additional nine-year limited warranty</b> , you will be responsible for any labor and related service costs.

## Advantium Oven (Models SCA1001HSS, SCA1000HWW/CC/BB)

For The Period Of	GE Will Replace
<b>One Year</b> From the date of the original purchase	<b>Any part</b> of the oven which fails due to a defect in materials or workmanship. During this <b>full one-year warranty</b> , GE will provide, <b>free of charge</b> , all labor and related service costs to replace the defective part.
<b>Three Years</b> From the date of the original purchase	<b>Heating System</b> , if any heater or lamp fails due to a defect in materials or workmanship. During this <b>full three-year warranty</b> , GE will provide, <b>free of charge</b> , all labor and related service costs to replace the defective part.
<b>Second through Tenth Year</b> From the date of the original purchase	<b>Magnetron Tube</b> , if the magnetron tube should fail due to a defect in materials or workmanship. During this <b>additional nine-year limited warranty</b> , you will be responsible for any labor and related service costs.

## Ranges/Cooktops/Built-In Ovens/Warming Drawers/Hoods

(Excluding CleanDesign Ranges and Cooktops)

For The Period Of	GE Will Replace
<b>One Year</b> From the date of the original purchase	<b>Any part</b> in the cooking product which fails due to a defect in materials or workmanship. During this <b>full one-year warranty</b> , GE will provide, <b>free of charge</b> , all labor and related service costs to replace the defective part.

## Ranges (CleanDesign)

For The Period Of	GE Will Replace
<b>One Year</b> From the date of the original purchase	<b>Any part</b> in the cooking product which fails due to a defect in materials or workmanship. During this <b>full one-year warranty</b> , GE will provide, <b>free of charge</b> , all labor and related service costs to replace the defective part.
<b>Second through Fifth Year</b> From the date of the original purchase.	<b>Glass Cooktop, Radiant Surface Units</b> , if the glass cooktop should crack due to thermal shock, discolor, crack at the rubber seal between the glass cooktop and the porcelain edge or if the pattern wears off, or if any of the radiant surface units burn out. During this <b>additional four-year limited warranty</b> , you will be responsible for all labor and related service costs to replace the defective part.

## Cooktops (CleanDesign)

For The Period Of	GE Will Replace
<b>One Year</b> From the date of the original purchase	<b>Any part</b> in the cooking product which fails due to a defect in materials or workmanship. During this <b>full one-year warranty</b> , GE will provide, <b>free of charge</b> , all labor and related service costs to replace the defective part.
<b>Second through Fifth Year</b> From the date of the original purchase.	<b>Glass Cooktop, Radiant Surface Units</b> , if the glass cooktop should crack due to thermal shock, discolor or if the pattern wears off, or if any of the radiant surface units should burn out. During this <b>additional four-year limited warranty</b> , you will be responsible for all labor and related service costs to replace the defective part.

## Hoods

For The Period Of	GE Will Replace
<b>One Year</b> From the date of the original purchase	<b>Any part</b> in the hood which fails due to a defect in materials or workmanship. During this <b>full one-year warranty</b> , GE will provide, <b>free of charge</b> , all labor and related service costs to replace the defective part.

## Microwave Ovens (Over-The-Range models, Built-In models, JEM31SF/WF/CF/BF, JE2160SF/WF/CF/BF, JE1590SH/WH/CH/BH, JE1860SH/WH/CH/BH and JEM25WF/BF)

For The Period Of	GE Will Replace
<b>One Year</b> From the date of the original purchase	<b>Any part</b> in the microwave which fails due to a defect in materials or workmanship. During this <b>full one-year warranty</b> , GE will provide, <b>free of charge</b> , all labor and related service costs to replace the defective part.
<b>Second through Tenth Year</b> From the date of the original purchase	<b>Magnetron Tube</b> , if the magnetron tube should fail due to a defect in materials or workmanship. During this <b>additional nine-year limited warranty</b> , you will be responsible for any labor and related service costs.



**Microwave Ovens** (Models JE1460WF/BF, JE1160WD/BD and JE740WY/GY)

For The Period Of	GE Will Replace
<b>One Year</b> From the date of the original purchase	<b>Any part</b> in the microwave which fails due to a defect in materials or workmanship. During this <b>limited one-year warranty</b> , GE will provide, <b>free of charge</b> , all labor (does not include trip charge to home or other service costs) to replace the defective part.
<b>Second through Tenth Year</b> From the date of the original purchase	<b>Magnetron Tube</b> , if the magnetron tube should fail due to a defect in materials or workmanship. During this <b>additional nine-year limited warranty</b> , you will be responsible for any labor and related service costs.

**Microwave Ovens** (Model JE620WF/BF)

For The Period Of	GE Will Replace
<b>One Year</b> From the date of the original purchase	<b>Any part</b> in the microwave which fails due to a defect in materials or workmanship. During this <b>limited one-year warranty</b> , GE will provide, <b>free of charge</b> , all labor (does not include trip charge to home or other service costs) to replace the defective part.
<b>Second through Fifth Year</b> From the date of the original purchase	<b>Magnetron Tube</b> , if the magnetron tube should fail due to a defect in materials or workmanship. During this <b>additional four-year limited warranty</b> , you will be responsible for any labor and related service costs.

**Dishwashers** (Models PDW7300J, PDW7700J, PDW7800J, PDW7880J, PDW8200J, PDW8280J, PDW8400J, PDW8480J, PDW8500J, PDW8600J, PDW8680J, PDW9200J, PDW9280J, PDW9700J, PDW9800J and PDW9880J)

For The Period Of	GE Will Replace
<b>One Year</b> From the date of the original purchase	<b>Any part</b> in the dishwasher which fails due to a defect in materials or workmanship. During this <b>full one-year warranty</b> , GE will provide, <b>free of charge</b> , all labor and related service costs to replace the defective part.
<b>Second Year</b> From the date of the original purchase	<b>Any part</b> in the dishwasher which fails due to a defect in materials or workmanship. During this <b>additional one-year limited warranty</b> , you will be responsible for any labor and related service costs.
<b>Third through Fifth Year</b> From the date of the original purchase	<b>Racks or Electronic Control Board</b> , if either the racks or electronic control board should fail due to a defect in materials or workmanship. During this <b>additional three-year limited warranty</b> , you will be responsible for any labor and related service costs.
<b>Lifetime of Product</b> From the date of the original purchase	<b>Tub or Door Liner</b> , if either the tub or door liner should fail due to a defect in materials or workmanship. During this <b>full product lifetime warranty</b> , GE will provide, <b>free of charge</b> , all labor and related service costs to replace the defective part.

**Dishwashers** (Models GSD4800G, GSD5500G, GSD5560G, GSD6200J, GSD6260J, GSD6600G, GSD6660G, GSD6860J and GSD6900J)

For The Period Of	GE Will Replace
<b>One Year</b> From the date of the original purchase	<b>Any part</b> in the dishwasher which fails due to a defect in materials or workmanship. During this <b>full one-year warranty</b> , GE will provide, <b>free of charge</b> , all labor and related service costs to replace the defective part.
<b>Second Year</b> From the date of the original purchase	<b>Any part of the Water Distribution System</b> which fails due to a defect in materials or workmanship. Associated inlet and drain plumbing parts are not covered by this warranty. During this <b>additional one-year limited warranty</b> , you will be responsible for any labor and related service costs.
<b>Third through Fifth Year</b> From the date of the original purchase	<b>Racks* or Electronic Control Board</b> , if either the racks or electronic control board should fail due to a defect in materials or workmanship. During this <b>additional three-year limited warranty</b> , you will be responsible for any labor and related service costs. *Except models GSD4800G, GSD5500G, GSD5560G, GSD6200J and GSD6260J.
<b>Ten Years</b> From the date of the original purchase	<b>Tub or Door Liner</b> , if either the tub or door liner should fail due to a defect in materials or workmanship. During this <b>full ten-year warranty</b> , GE will provide, <b>free of charge</b> , all labor and related service costs to replace the defective part.

**Dishwashers** (Models GSM2100G, GSC3200J, GSC3400J, GSD1900G, GSD2000G, GSD2001G, GSD2200G, GSD2201G, GSD3200J, GSD4200J and GSD4260J)

For The Period Of	GE Will Replace
<b>One Year</b> From the date of the original purchase	<b>Any part</b> in the dishwasher which fails due to a defect in materials or workmanship. During this <b>full one-year warranty</b> , GE will provide, <b>free of charge</b> , all labor and related service costs to replace the defective part.
<b>Second Year</b> From the date of the original purchase	<b>Any part of the Water Distribution System</b> which fails due to a defect in materials or workmanship. Associated inlet and drain plumbing parts are not covered by this warranty. During this <b>additional one-year limited warranty</b> , you will be responsible for any labor and related service costs.
<b>Ten Years</b> From the date of the original purchase	<b>Tub or Door Liner</b> , if either the tub or door liner should fail due to a defect in materials or workmanship. During this <b>full ten-year warranty</b> , GE will provide, <b>free of charge</b> , all labor and related service costs to replace the defective part.

**Dishwashers** (Models GSS1800H and GSM1800J)

For The Period Of	GE Will Replace
<b>One Year</b> From the date of the original purchase	<b>Any part</b> in the dishwasher which fails due to a defect in materials or workmanship. During this <b>full one-year warranty</b> , GE will provide, <b>free of charge</b> , all labor and related service costs to replace the defective part.

**Compactors**

For The Period Of	GE Will Replace
<b>One Year</b> From the date of the original purchase	<b>Any part</b> in the compactor which fails due to a defect in materials or workmanship. During this <b>full one-year warranty</b> , GE will provide, <b>free of charge</b> , all labor and related service costs to replace the defective part.

**Disposers** (Models GFC320F, GFC325F, GFC520F, GFC525F, GFC530F, GFC535F, GFC720F, GFB760F, GFC1020F)

For The Period Of	GE Will Replace
<b>One Year</b> From the date of the original purchase	The entire disposer if there is a defect in materials or workmanship relating to functional parts only (appearance parts are excluded). During this <b>full one-year warranty</b> , GE will also provide, <b>free of charge</b> , all labor charges related to replacing the original disposer.

**Disposers** (Models GFC520F, GFC525F)

For The Period Of	GE Will Replace
<b>Additional One Year</b> From the date of the original purchase	Free of charge, a replacement disposer due to a manufacturing defect relating to functional parts only of the original disposer (appearance parts are excluded). During this <b>extended limited warranty</b> period, you will be responsible for all installation charges relating to the replacement disposer.

**Disposers** (Models GFC530F, GFC535F)

For The Period Of	GE Will Replace
<b>Additional Two Years</b> From the date of the original purchase	Free of charge, a replacement disposer due to a manufacturing defect relating to functional parts only of the original disposer (appearance parts are excluded). During this <b>extended limited warranty</b> period, you will be responsible for all installation charges relating to the replacement disposer.

**Disposers** (Model GFC720F, GFB760F)

For The Period Of	GE Will Replace
<b>Additional Four Years</b> From the date of the original purchase	Free of charge, a replacement disposer due to a manufacturing defect relating to functional parts only of the original disposer (appearance parts are excluded). During this <b>extended limited warranty</b> period, you will be responsible for all installation charges relating to the replacement disposer.

**Disposers** (Model GFC1020F)

For The Period Of	GE Will Replace
<b>Additional Six Years</b> From the date of the original purchase	Free of charge, a replacement disposer due to a manufacturing defect relating to functional parts only of the original disposer (appearance parts are excluded). During this <b>extended limited warranty</b> period, you will be responsible for all installation charges relating to the replacement disposer.

# Warranty Information\* (continued)

## GE Profile™ Washers

For The Period Of	GE Will Replace
<b>One Year</b> From the date of the original purchase	<b>Any part</b> in the washer which fails due to a defect in materials or workmanship. During this <b>full one-year warranty</b> , GE will provide, <b>free of charge</b> , all labor and related service costs to replace the defective part.
<b>Second Year</b> From the date of the original purchase	<b>Any part</b> in the washer which fails due to a defect in materials or workmanship. During this <b>additional one-year limited warranty</b> , you will be responsible for any labor and related service costs.
<b>Second through Fifth Year</b> From the date of the original purchase	<b>Suspension Rod and Spring Assembly, and Main Electronic Control Board</b> , if any of these parts should fail due to a defect in materials or workmanship. GE will also replace the <b>Washer Lid or Cover</b> , if they should rust under operating conditions. During this <b>additional four-year limited warranty</b> , you will be responsible for any labor and related service costs.
<b>Second through Tenth Year</b> From the date of the original purchase	<b>Transmission and Outer Wash Tub</b> , if either the transmission or outer wash tub should fail due to a defect in materials or workmanship. During this <b>additional nine-year limited warranty</b> , you will be responsible for any labor and related service costs.
<b>Lifetime of Product</b>	<b>PermaTuf® II Basket and Stainless Steel Basket</b> , if the PermaTuf II Basket or Stainless Steel Basket should fail due to a defect in materials or workmanship. During this <b>product lifetime limited warranty</b> , you will be responsible for any labor and related service costs.

## GE® Washers and Non-Coin Commercial Washer (Model WNRD2050D)

For The Period Of	GE Will Replace
<b>One Year</b> From the date of the original purchase	<b>Any part</b> in the washer which fails due to a defect in materials or workmanship. During this <b>full one-year warranty</b> , GE will provide, <b>free of charge</b> , all labor and related service costs to replace the defective part.
<b>Second through Fifth Year</b> From the date of the original purchase	<b>Transmission, Suspension Rod and Spring Assembly</b> , if any of these parts should fail due to a defect in materials or workmanship. GE will also replace the <b>Washer Lid or Cover</b> , if they should rust under operating conditions. During this <b>additional four-year limited warranty</b> , you will be responsible for any labor and related service costs.
<b>Second through Tenth Year</b> From the date of the original purchase	<b>Outer Tub</b> , if the outer tub should fail due to a defect in materials or workmanship. During this <b>additional nine-year limited warranty</b> , you will be responsible for any labor and related service costs.
<b>Second through Twentieth Year</b> From the date of the original purchase	<b>PermaTuf II Basket and stainless steel basket</b> , if the PermaTuf II Basket or stainless steel basket should fail due to a defect in materials or workmanship. During this <b>additional nineteen-year limited warranty</b> , you will be responsible for any labor and related service costs.

## GE Spacemaker® Washers

For The Period Of	GE Will Replace
<b>One Year</b> From the date of the original purchase	<b>Any part</b> in the washer which fails due to a defect in materials or workmanship. During this <b>full one-year warranty</b> , GE will provide, <b>free of charge</b> , all labor and related service costs to replace the defective part.
<b>Second through Fifth Year</b> From the date of the original purchase	<b>Transmission and Electronics</b> , if the transmission or electronics should fail due to a defect in materials or workmanship. During this <b>additional four-year limited warranty</b> , you will be responsible for any labor and related service costs.

## GE Profile Front-Loading Washers

For The Period Of	GE Will Replace
<b>One Year</b> From the date of the original purchase	<b>Any part</b> in the washer which fails due to a defect in materials or workmanship. During this <b>full one-year warranty</b> , GE will provide, <b>free of charge</b> , all labor and related service costs to replace the defective part.
<b>Second Year</b> From the date of the original purchase	<b>Any part</b> in the washer which fails due to a defect in materials or workmanship. During this <b>additional one-year limited warranty</b> , you will be responsible for any labor and related service costs.
<b>Third through Fifth Year</b> From the date of original purchase	<b>Suspension Strut Assembly, Motor, Motor Controller, Washer Door or Door Panel Rust-Through</b> , if any of these parts fail due to defective materials or workmanship. During this <b>additional three-year limited warranty</b> , you will be responsible for any labor and related service costs.
<b>Third through Tenth Year</b> From the date of the original purchase	<b>Outer Tub or Driven Pulley</b> , if the either of these parts fail due to defective materials or workmanship. During this <b>eight-year limited warranty</b> , you will be responsible for any labor and related service costs.
<b>Lifetime of Product</b>	<b>Inner Wash Basket</b> , if the Inner Wash Basket fails due to defective materials or workmanship. During this <b>product lifetime limited warranty</b> , you will be responsible for any labor and related service costs.

## GE Front-Loading Washers

For The Period Of	GE Will Replace
<b>One Year</b> From the date of the original purchase	<b>Any part</b> in the washer which fails due to a defect in materials or workmanship. During this <b>full one-year warranty</b> , GE will provide, <b>free of charge</b> , all labor and related service costs to replace the defective part.
<b>Second through Fifth Year</b> From the date of the original purchase	<b>Suspension Strut Assembly, Motor, Washer Door or Door Panel Rust-Through</b> , if any of these parts fail due to defective materials or workmanship. During this <b>additional four-year limited warranty</b> , you will be responsible for any labor and related service costs.
<b>Second through Tenth Year</b> From the date of original purchase	<b>Outer Tub</b> , if the Outer Tub fails due to defective materials or workmanship. During this <b>additional nine-year limited warranty</b> , you will be responsible for any labor and related service costs.
<b>Second through Twentieth Year</b> From the date of the original purchase	<b>Inner Wash Basket</b> , if the Inner Wash Basket fails due to defective materials or workmanship. During this <b>nineteen-year limited warranty</b> , you will be responsible for any labor and related service costs.

## GE Profile King-Size, Super Capacity, Extra-Large Capacity and GE Profile Front-Loading Dryers

For The Period Of	GE Will Replace
<b>One Year</b> From the date of the original purchase	<b>Any part</b> in the dryer which fails due to a defect in materials or workmanship. During this <b>full one-year warranty</b> , GE will provide, <b>free of charge</b> , all labor and related service costs to replace the defective part.
<b>Second Year</b> From the date of the original purchase	<b>Any part</b> of the dryer which fails due to a defect in materials or workmanship. During this <b>additional one-year limited warranty</b> , you will be responsible for any labor and related service costs.
<b>Third through Fifth Year</b> From the date of the original purchase	<b>Dryer Drum and Main Electronic Control Panel*</b> , if either of these parts should fail due to a defect in materials or workmanship. During this <b>additional three-year limited warranty</b> , you will be responsible for any labor and related service costs. *Main Electronic Control Panel warranty does not apply to GE Profile Front-Loading Dryers.

## GE Super Capacity, Extra-Large Capacity, Large Capacity, Spacemaker and GE Front-Loading Dryers

For The Period Of	GE Will Replace
<b>One Year</b> From the date of the original purchase	<b>Any part</b> in the dryer which fails due to a defect in materials or workmanship. During this <b>full one-year warranty</b> , GE will provide, <b>free of charge</b> , all labor and related service costs to replace the defective part.

## GE Coin Commercial Washers and Dryers (Models WNCJ2050D, WNCK2050D, DNCJ440EA/GA, DNCK440EA/GA, WCCB1030D, WLCD2050D, WCRD2050D, WCCD2050D, WCC404V, DCCD330ED/GD, DCCB330ED/GD, DDC4400D, DDC4500D)

For The Period Of	GE Will Replace
<b>Three Years</b> From the date of the original purchase	<b>Any part</b> in the washer or dryer which fails due to a defect in materials or workmanship. During this <b>limited three-year warranty</b> , you will be responsible for any labor and related service costs.
<b>Fourth through Fifth Year</b> From the date of the original purchase	<b>Outer Tub, Inner Basket, Dryer Drum and Cabinet Rust-Through</b> , if any of these parts prove to be defective in materials or workmanship. During this <b>additional two-year limited warranty</b> , you will be responsible for any labor and related service costs.

## GE Non-Coin Commercial Dryer

(Model DNCD450EA/GA)

For The Period Of	GE Will Replace
<b>One Year</b> From the date of the original purchase	<b>Any part</b> in the dryer which fails due to a defect in materials or workmanship. During this <b>full one-year warranty</b> , GE will provide, <b>free of charge</b> , all labor and related service costs to replace the defective part.

## GE SmartWater™ Filtration Systems

(Models PNRV18ZWW, PNRV18ZCC, PNRV18ZBB, PNRV18ZWH, PNRV18ZBL, PNRV12ZBL)

For The Period Of	GE Will Replace
<b>One Year</b> From the date of the original purchase	<b>Any part</b> of the Reverse Osmosis Filtration System which fails due to a defect in materials or workmanship. During this <b>full one-year warranty</b> , GE will provide, <b>free of charge</b> , all labor and related service costs to replace the defective part.

## GE SmartWater Filtration System (Model GXR10ABL)

For The Period Of	GE Will Replace
<b>One Year</b> From the date of the original purchase	<b>Any part</b> of the Reverse Osmosis Filtration System which fails due to a defect in materials or workmanship. During this <b>limited one-year warranty</b> , GE will provide, <b>free of charge</b> , all labor (does not include trip charge to home or other service costs) to replace the defective part.

## GE SmartWater Filtration Systems

(Models GNSV25CBL, GNSV30CWW, GNSV30CC, GNSL05CBL)

For The Period Of	GE Will Replace
<b>One Year</b> From the date of the original purchase	<b>Any part</b> of the Water Filtration System (excluding filters) which fails due to a defect in materials or workmanship. During this <b>full one-year warranty</b> , GE will provide, <b>free of charge</b> , all labor and related service costs to replace the defective part.

## GE SmartWater Softening Systems

(Models GNSH45E, GXSH39E and GXSF27E)

For The Period Of	GE Will Replace
<b>One Year</b> From the date of the original purchase	<b>Any part</b> of the water softening system which fails due to a defect in materials or workmanship. During this <b>full one-year warranty</b> , GE will provide, <b>free of charge</b> , all labor and related service costs to replace the defective part.
<b>Second through Third Year</b> From the date of the original purchase	<b>Electronic Monitor</b> , if the electronic monitor fails due to a defect in materials or workmanship. During this <b>additional two-year limited warranty</b> , you will be responsible for any labor and related service costs.
<b>Second through Tenth Year</b> From the date of the original purchase	<b>Cabinet (Brine Tank) and Resin Tank</b> , if either of these parts fail due to a defect in materials or workmanship. During this <b>additional nine-year limited warranty</b> , you will be responsible for any labor and related service costs.

## Air Conditioners (Window Built-In and Built-In Units)

For The Period Of	GE Will Replace
<b>One Year</b> From the date of the original purchase	<b>Any part</b> in the air conditioner which fails due to a defect in materials or workmanship. During this <b>full one-year warranty</b> , GE will provide, <b>free of charge</b> , all labor and related service costs to replace the defective part.
<b>Five Years</b> From the date of the original purchase	<b>Sealed Refrigerating System</b> , if the sealed refrigerating system (compressor, condenser, evaporator and all connecting tubing) should fail due to a defect in materials or workmanship. During this <b>full five-year warranty</b> , GE will provide, <b>free of charge</b> , all labor and related service costs to replace the defective part.

## Air Conditioners (Zoneline® and Vertical Zoneline)

For The Period Of	GE Will Replace
<b>One Year</b> From the date of the original purchase	<b>Any part</b> of the air conditioner which fails due to a defect in materials or workmanship. During this <b>full one-year warranty</b> , GE will provide, <b>free of charge</b> , all labor and related service costs to replace the defective part.
<b>Five Years</b> From the date of the original purchase	<b>Sealed Refrigerating System</b> , if any part of the Sealed Refrigerating System (the compressor, condenser, evaporator, and all connecting tubing) should fail due to a defect in materials or workmanship. During this <b>full five-year warranty</b> , GE will provide, <b>free of charge</b> , all labor and related service costs to replace the defective part.
<b>Second through Fifth Year (Zoneline only)</b> From the date of the original purchase <small>*Except in Alaska. See warranty for details.</small>	<b>Fan Motors, Switches, Thermostat, Heater, Heater Protectors, Compressor Overload, Solenoids, Circuit Boards, Auxiliary Controls, Thermistors, Freeze Sentinel, Frost Controls, ICR Pump, Capacitors, Varistors and Indoor Blower Bearing</b> , if any of these parts should fail due to a defect in materials or workmanship. During this <b>additional four-year limited warranty</b> , you will be responsible for any labor and related service costs.
<b>Second through Fifth Year (Vertical Zoneline only)</b> From the date of the original purchase	<b>Fan Motors, Switches, Heater, Heater Protectors, Compressor Overload, Solenoids, Circuit Boards, Auxiliary Controls, Thermistors, Frost Controls, ICR Pump, Capacitors, Varistors and Indoor Blower Bearing</b> , if any of these parts should fail due to a defect in materials or workmanship. During this <b>additional four-year limited warranty</b> , you will be responsible for any labor and related service costs.

\*See written warranty for complete details.

This warranty is extended to the original purchaser and any succeeding owner for products purchased for home use within the USA. In Alaska, the One-Year Warranty excludes the cost of shipping, or service calls to your home. Some states do not allow the exclusion or limitation of incidental or consequential damages. This warranty gives you specific legal rights, and you may also have other rights which vary from state to state. To know what your legal rights are, consult your local or state consumer affairs office or your state's Attorney General.

### What GE Will Not Cover:

- Service trips to your home to teach you how to use the product.
- Improper installation.
- Replacement of house fuses or resetting of circuit breakers.
- Failure of the product if it is abused, misused or used for anything other than the intended purpose or used commercially.
- Damage to product caused by accident, fire, floods or acts of God.
- Incidental or consequential damage caused by possible defects with this appliance.



# GE Profile Arctica™ Side-By-Side Refrigerators

	GE Profile™									
	PSS29NHP PSS29NGP	PSS27SGP	PSS27NGP	PSS26SHP	PSS26NHP	PSF26NGP	PSW26SGP	PSS26SGP	PSS26NGP	PSS26MGP
Stainless steel model		●		●			●	●		
<b>Capacity</b>										
Total (cu. ft.)	28.7 / 28.6	26.5	26.5	25.5	25.5	25.5	25.5	25.5	25.5	25.5
Fresh food (cu. ft.)	17.92 / 17.85	16.60	16.60	16.02	16.02	16.02	16.02	16.02	16.02	16.02
Freezer (cu. ft.)	10.68	9.92	9.92	9.48	9.48	9.48	9.48	9.48	9.48	9.48
Shelf area (sq. ft.)	24.0 / 25.0	23.8	23.8	22.8	22.8	23.6	23.6	23.6	23.6	23.7
<b>Fresh Food Features</b>										
Refreshment center	● / -			●	●					
ClimateKeeper™ system		●	●	●	●	●	●	●	●	●
Multiflow air system	●	●	●	●	●	●	●	●	●	●
Upfront electronic digital display	●	●	●	●	●	●	●	●	●	●
Upfront electronic touch temp. controls	●	●	●	●	●	●	●	●	●	●
Electronic sensors	●	●	●	●	●	●	●	●	●	●
TurboCool™ setting	●	●	●	●	●	●	●	●	●	●
SmartWater™ filtration system	Plus	Plus	Plus	Plus	Plus	Plus	Plus	Plus	Plus	Plus
LightTouch! dispenser	Crushed Ice, Cubes, Water	Crushed Ice, Cubes, Water	Crushed Ice, Cubes, Water	Crushed Ice, Cubes, Water	Crushed Ice, Cubes, Water	Crushed Ice, Cubes, Water	Crushed Ice, Cubes, Water	Crushed Ice, Cubes, Water	Crushed Ice, Cubes, Water	Crushed Ice, Cubes, Water
Light	●	●	●	●	●	●	●	●	●	●
Child lock	●	●	●	●	●	●	●	●	●	●
Door alarm	●	●	●	●	●	●	●	●	●	●
Quick Ice™ feature	●	●	●	●	●	●	●	●	●	●
Water filter indicator light	●	●	●	●	●	●	●	●	●	●
Cabinet shelves	3 Glass	3 Glass	3 Glass	3 Glass	3 Glass	3 Glass	3 Glass	3 Glass	3 Glass	3 Glass
Adjustable	3	3	3	3	3	3	3	3	3	3
Slide-out, spillproof	2	2	2	2	2	2	2	2	2	2
QuickSpace™ shelf	●	●	●	●	●	●	●	●	●	●
Integrated shelf support system	●	●	●	●	●	●	●	●	●	●
Snugger™ clip(s)	2	2	2	2	2	2	2	2	2	2
Deli pan	Adj. Temp.	Adj. Temp.	Adj. Temp.	Adj. Temp.	Adj. Temp.	Adj. Temp.	Adj. Temp.	Adj. Temp.	Adj. Temp.	Adj. Temp.
Vegetable/fruit crisper	Adj. Humid.	Adj. Humid.	Adj. Humid.	Adj. Humid.	Adj. Humid.	Adj. Humid.	Adj. Humid.	Adj. Humid.	Adj. Humid.	Adj. Humid.
Snack pan	Sealed	Sealed	Sealed	Sealed	Sealed	Sealed	Sealed	Sealed	Sealed	Sealed
CustomCool™ technology with full-extension drawer	●	●	●	●	●	●	●	●	●	●
ClearLook™ adjustable door bins	3 (1 Adj.) 4 (3 Adj.)	4 (3 Adj.)	4 (3 Adj.)	3 (1 Adj.)	3 (1 Adj.)	4 (3 Adj.)	4 (3 Adj.)	4 (3 Adj.)	4 (3 Adj.)	4 (3 Adj.)
Dairy compartment (removable)	●	●	●	●	●	●	●	●	●	●
Can storage rack (door)	● / -			●	●					
In-the-door beverage rack	- / ●	●	●	●	●	●	●	●	●	●
Interior light system	Tri-level	Tri-level	Tri-level	Tri-level	Tri-level	Tri-level	Tri-level	Tri-level	Tri-level	Dual-level
Quiet Design	Premium	Premium	Premium	Premium	Premium	Premium	Premium	Premium	Premium	Premium
Automatic moisture control	●	●	●	●	●	●	●	●	●	●
NeverClean™ condenser	●	●	●	●	●	●	●	●	●	●
ENERGY STAR®				● (15%)	● (15%)	● (15%)	● (15%)	● (15%)	● (15%)	● (15%)
<b>Freezer Features</b>										
FrostGuard™ technology	●	●	●	●	●	●	●	●	●	●
Integrated Ice™ system	●	●	●	●	●	●	●	●	●	●
Wire slide-out baskets	4 (3 full-ext.)	4 (3 full-ext.)	4 (3 full-ext.)	4 (3 full-ext.)	4 (3 full-ext.)	4 (3 full-ext.)	4 (3 full-ext.)	4 (3 full-ext.)	4 (3 full-ext.)	3
Wire cabinet shelves	2	2	2	2	2	2	2	2	2	2
Wire tilt-out door bin(s)	3 (2 Adj.)	3 (2 Adj.)	3 (2 Adj.)	3 (2 Adj.)	3 (2 Adj.)	3 (2 Adj.)	3 (2 Adj.)	3 (2 Adj.)	3 (2 Adj.)	3 (2 Adj.)
Fixed door bin(s)	1	1	1	1	1	1	1	1	1	1
Interior light	Dual	Dual	Dual	Dual	Dual	Dual	Dual	Dual	Dual	Dual
<b>Exterior</b>										
Color(s) available*	WW, CC, BB	SS	WW, CC, BB	SS	WW, CC, BB	WW, CC, BB	SS	SS	WW, CC, BB	WW, CC, BB
Door handle(s)	Color-Matched Contoured Profile	Sculptured	Color-Matched Contoured Profile	Sculptured	Color-Matched Contoured Profile	Color-Matched Contoured Profile	Sculptured	Sculptured	Color-Matched Contoured Profile	Color-Matched Contoured Profile
Exterior design	Contoured	Contoured	Contoured	Contoured	Contoured	Contoured High-Gloss	Full-Wrap Contoured	Contoured	Contoured	Contoured
Textured steel door and case	●	Case only	●	Case only	●	Case only	●	Case only	●	●
Adjustable rollers	Front	Front	Front	Front	Front	Front	Front	Front	Front	Front
<b>Weights &amp; Dimensions</b>										
Height to top of hinge (in.) A	69-1/4	69-1/4	69-1/4	69-1/4	69-1/4	69-1/4	70-1/2††	69-1/4	69-1/4	69-1/4
Height to top of case (in.) B	68-3/4	68-3/4	68-3/4	68-3/4	68-3/4	68-3/4	70-1/2	68-3/4	68-3/4	68-3/4
Case depth without door (in.) C †	28	28	28	28	28	28	28-1/2	28	28	28
Case depth less door handle (in.) D †	33-9/16	32-1/4	32-1/4	32-1/4	32-1/4	32-1/4	32-3/4	32-1/4	32-1/4	32-1/4
Case depth with door handle (in.) E †	36	34-11/16	34-11/16	34-11/16	34-11/16	34-11/16	35-3/16	34-11/16	34-11/16	34-11/16
Depth w/fresh food door open 90° (in.) F †	49-11/16	50-1/16	50-1/16	50-1/16	50-1/16	50-1/16	50-9/16	50-1/16	50-1/16	50-1/16
Width (in.) G	35-3/4	35-3/4	35-3/4	35-3/4	35-3/4	35-3/4	35-7/8**	35-3/4	35-3/4	35-3/4
Width w/door open 90° w/door handle (in.) H	39	36-1/4	36-1/4	36-1/4	36-1/4	36-1/4	36-1/4	36-1/4	36-1/4	36-1/4
Air clearances										
Each side (in.)	1/8	1/8	1/8	1/8	1/8	1/8	1/8	1/8	1/8	1/8
Top (in.)	1	1	1	1	1	1	1	1	1	1
Back (in.)	1	1	1	1	1	1	1	1	1	1
Approx. shipping weight (lbs.)	320	346	346	346	346	365	393	347	347	347
Power/Rating	120V, 60Hz, 15Amps									

\*Color(s) available: SS = Stainless steel, WW = White on white, CC = Bisque on bisque, BB = Black on black.

\*\*Width including caps is 36-3/16".

†Water hook-up fits in back air clearance when calculating installation depth.

††When cap is removed 69-1/4".

If installed against a wall, allow clearance of 14-3/16" on 25 cu. ft., 26 cu. ft. and 27 cu. ft. models; 13" on 29 cu. ft. models on freezer side to remove ice bin. To remove fresh food pans, remove door bins. Clearances required to remove fresh food full-size pan without disassembling: 18-15/16" on 25 cu. ft., 26 cu. ft. and 27 cu. ft.; 16-1/4" on 29 cu. ft. Allow additional space for any necessary leveling adjustments.

ALL MODELS AVAILABLE IN U.S. AND CANADA.  
Energy information available at [www.GEAppliances.com](http://www.GEAppliances.com)

See page 156 for warranty information.

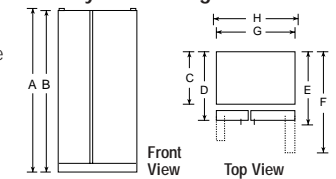


Total volume and shelf area are calculated by the Association of Home Appliance Manufacturers' standards.



Listed by Underwriters Laboratories

## Side-By-Side Refrigerators



# GE Profile Arctica CustomStyle™ Side-By-Side Refrigerators

	GE Profile™									
	PSC23SHP PSC23SGP	PSH23SGP PSI23SGP	PSC23NHP	PSC23NGP	PSH23NGP PSI23NGP	PSI23SCP	PSI23NCP	PSC23MGP	PSI23MGP	
Stainless steel model	●	●				●				
<b>Capacity</b>										
Total (cu. ft.)	22.7 / 22.6	22.6	22.7	22.6	22.6	22.6	22.6	22.7	22.7	
Fresh food (cu. ft.)	14.41/14.38	14.38	14.41	14.38	14.38	14.38	14.38	14.38	14.38	
Freezer (cu. ft.)	8.17	8.24	8.24	8.17	8.24	8.19	8.19	8.26	8.26	
Shelf area (sq. ft.)	18.6/19.7	19.7	18.6	19.7	19.7	20.6	20.6	19.0	19.0	
<b>Fresh Food Features</b>										
Refreshment center	● / -		●							
ClimateKeeper system		●	●	●	●	●	●	●	●	
Multiflow air system	●	●	●	●	●	●	●	●	●	
Upfront electronic digital display	●	●	●	●	●	●	●	●	●	
Upfront electronic touch temp. controls	●	●	●	●	●	●	●	●	●	
Electronic sensors	●	●	●	●	●	●	●	●	●	
TurboCool setting	●	●	●	●	●	●	●	●	●	
SmartWater filtration system	Plus	Plus	Plus	Plus	Plus			Plus	Plus	
LightTouch! dispenser	Crushed Ice, Cubes, Water	Crushed Ice, Cubes, Water	Crushed Ice, Cubes, Water	Crushed Ice, Cubes, Water	Crushed Ice, Cubes, Water			Crushed Ice, Cubes, Water	Crushed Ice, Cubes, Water	
Light	●	●	●	●	●			●	●	
Child lock	●	●	●	●	●			●	●	
Door alarm	●	●	●	●	●			●	●	
Quick Ice feature	●	●	●	●	●			●	●	
Water filter indicator light	●	●	●	●	●			●	●	
Cabinet shelves	3 Glass	3 Glass	3 Glass	3 Glass	3 Glass	3 Glass	3 Glass	3 Glass	3 Glass	
Adjustable	3	3	3	3	3	3	3	3	3	
Slide-out, spillproof	2	2	2	2	2	2	2	2	2	
QuickSpace shelf	●	●	●	●	●	●	●	●	●	
Integrated shelf system	●	●	●	●	●	●	●	●	●	
Snugger clip(s)	1 / 2	2	1	2	2	2	2	2	2	
Deli pan	Adj. Temp.	Adj. Temp.	Adj. Temp.	Adj. Temp.	Adj. Temp.	Adj. Temp.	Adj. Temp.	Adj. Temp.	Adj. Temp.	
Vegetable/fruit crisper	Adj. Humid.	Adj. Humid.	Adj. Humid.	Adj. Humid.	Adj. Humid.	Adj. Humid.	Adj. Humid.	Adj. Humid.	Adj. Humid.	
Snack pan	Sealed	Sealed	Sealed	Sealed	Sealed	Sealed	Sealed	Sealed	Sealed	
CustomCool technology with full-extension drawer		●		●		●		●		
ClearLook adjustable door bins	3 (1 Adj.) 4 (3 Adj.)	4 (3 Adj.)	3 (1 Adj.)	4 (3 Adj.)	4 (3 Adj.)	4 (3 Adj.)	4 (3 Adj.)	4 (3 Adj.)	4 (3 Adj.)	
Dairy compartment (removable)	●	●	●	●	●	●	●	●	●	
Can storage rack (door)	● / -		●							
In-the-door beverage rack	- / ●	●		●		●		●	●	
Interior light system	Tri-level	Tri-level	Tri-level	Tri-level	Tri-level	Tri-level	Tri-level	Dual-level	Dual-level	
Quiet Design	Premium	Premium	Premium	Premium	Premium	Premium	Premium	Premium	Premium	
Automatic moisture control	●	●	●	●	●	●	●	●	●	
NeverClean condenser	●	●	●	●	●	●	●	●	●	
ENERGY STAR®		● / -			● / -					
<b>Freezer Features</b>										
FrostGuard technology	●	●	●	●	●	●	●	●	●	
Integrated Ice system	●	●	●	●	●	●	●	●	●	
Wire slide-out baskets	4 (3 full-ext.)	4 (3 full-ext.)	4 (3 full-ext.)	4 (3 full-ext.)	4 (3 full-ext.)	4 (3 full-ext.)	4 (3 full-ext.)	3	3	
Wire cabinet shelves	2 (1 slide-out)	2 (1 slide-out)	2 (1 slide-out)	2 (1 slide-out)	2 (1 slide-out)	2 (1 slide-out)	2 (1 slide-out)	2 (1 slide-out)	2 (1 slide-out)	
Wire tilt-out door bin(s)	3 (2 Adj.)	3 (2 Adj.)	3 (2 Adj.)	3 (2 Adj.)	3 (2 Adj.)	4 (3 Adj.)	4 (3 Adj.)	3 (2 Adj.)	3 (2 Adj.)	
Fixed door bins	1	1	1	1	1	1	1	1	1	
Interior light	Dual	Dual	Dual	Dual	Dual	Dual	Dual	Dual	Dual	
<b>Exterior</b>										
Color(s) available*	SS	BS	WW, CC, BB	WW, CC, BB	WW, CC, BB	BS	WW, CC, BB	WW, CC, BB	WW, CC, BB	
CustomStyle configuration	Trimless	Trimless	Trimless	Trimless	Installed Trim	Trimless	Installed Trim	Trimless	Installed Trim	
Door handles*	Sculptured	SS Full-length	CM Profile	CM Profile	CM Full-Length	SS Full-length	CM Full-Length	CM Profile	CM Full-Length	
Exterior design	Rounded Doors	Squared Doors	Rounded Doors	Rounded Doors	Squared Doors	Squared Doors	Squared Doors	Rounded Doors	Squared Doors	
Textured steel door and case	Case only	Case only	●	●	Case only	Case only	Case only	●	Case only	
Adjustable rollers	All	All	All	All	All	All	All	All	All	
<b>Weights &amp; Dimensions</b>										
Height to top of hinge (in.) A	69-1/4	69-1/4	69-1/4	69-1/4	69-1/4	69-1/4	69-1/4	69-1/4	69-1/4	
Height to top of case (in.) B	68-3/4	68-3/4	68-3/4	68-3/4	68-3/4	68-3/4	68-3/4	68-3/4	68-3/4	
Height to top of door trim (in.)		70-1/4			70-1/4		70-1/4		70-1/4	
Case depth without door (in.) C	23-7/8	23-7/8	23-7/8	23-7/8	23-7/8	23-7/8	23-7/8	23-7/8	23-7/8	
Case depth less door handle (in.) D	26-3/4	26-3/4	26-3/4	26-3/4	26-3/4	26-3/4	26-3/4	26-3/4	26-3/4	
Case depth with door handle (in.) E	29-3/16	28-5/16	29-3/16	29-3/16	28-5/16	28-5/16	28-5/16	29-3/16	28-5/16	
Depth w/fresh food door open 90° (in.) F	45-9/16	45-9/16	45-9/16	45-9/16	45-9/16	45-9/16	45-9/16	45-9/16	45-9/16	
Width (in.) G	35-3/4	35-3/4	35-3/4	35-3/4	35-3/4	35-3/4	35-3/4	35-3/4	35-3/4	
Width w/door open 90° w/door handle (in.) H	38-3/16	37-5/16	38-3/16	38-3/16	37-5/16	37-5/16	37-5/16	38-3/16	37-5/16	
Air clearances										
Each side (in.)	1/8	1/8	1/8	1/8	1/8	1/8	1/8	1/8	1/8	
Top (in.)	1	1	1	1	1	1	1	1	1	
Back (in.)	1/2	1/2	1/2	1/2	1/2	1/2	1/2	1/2	1/2	
Approx. shipping weight (lbs.)	334	334	334	334	334	334	334	334	334	
Power/Rating	← 120V, 60Hz, 15Amps →									
<b>Accessories</b>										
Factory trim kit attached	N/A	N/A	N/A	N/A	●	N/A	●	N/A	●	
Black acrylic panels (optional)	N/A	N/A	N/A	N/A	PSPK23DBB	N/A	PSPK23CBB	N/A	PSPK23DBB	
White acrylic panels (optional)	N/A	N/A	N/A	N/A	PSPK23DWW	N/A	PSPK23CWW	N/A	PSPK23DWW	
Bisque acrylic panels (optional)	N/A	N/A	N/A	N/A	PSPK23DCC	N/A	PSPK23CCC	N/A	PSPK23DCC	
Stainless steel panels (optional)	N/A	N/A	N/A	N/A	PSPK23DSS	N/A	N/A	N/A	PSPK23DSS	
Black collar trim (optional)	N/A	TRMBISBB	N/A	N/A	TRMBISBB	TRMBISBB	TRMBISBB	N/A	TRMBISBB	
White collar trim (optional)	N/A	TRMBISWW	N/A	N/A	TRMBISWW	TRMBISWW	TRMBISWW	N/A	TRMBISWW	
Bisque collar trim (optional)	N/A	TRMBISCC	N/A	N/A	TRMBISCC	TRMBISCC	TRMBISCC	N/A	TRMBISCC	
Stainless steel collar trim (optional)	N/A	TRMBISSS	N/A	N/A	TRMBISSS	TRMBISSS	TRMBISSS	N/A	TRMBISSS	

\*Color(s) available: BS = Black case with stainless steel doors, SS = Stainless steel, WW = White on white, CC = Bisque on bisque, BB = Black on black, CM = Color-Matched. If installed against a wall, allow clearance of 13-15/16" on freezer side to remove bin. Clearance required to remove fresh food full size pan without disassembling is 18-5/8".

ALL MODELS AVAILABLE IN U.S. AND CANADA.

See page 156 for warranty information.

Refrigeration

Cooking Products

Microwave Ovens

Dishwashers

Clothes Care

Water Systems

Air Conditioning

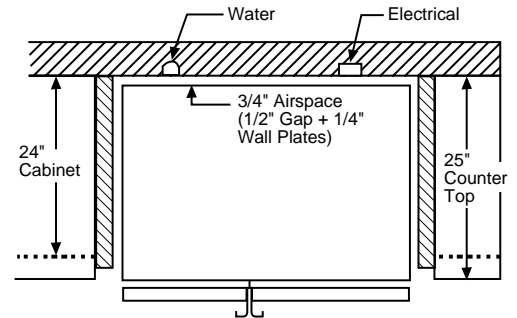
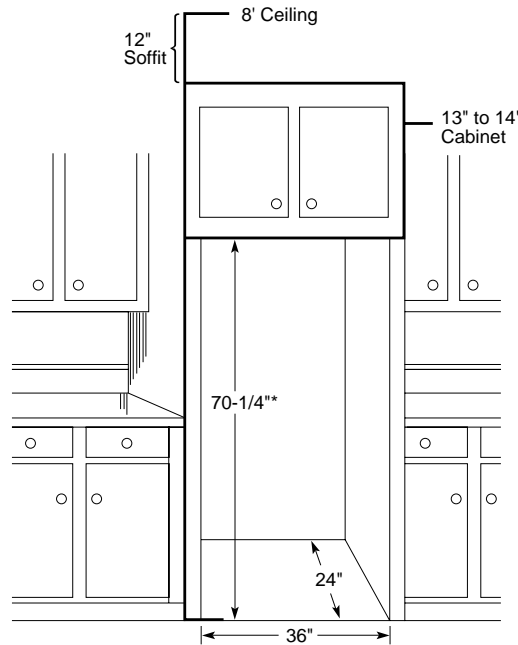
# GE Profile Arctica CustomStyle™ Side-By-Side Installation Information and Specifications

## Rough-In Dimensions

### Standard, New Construction and Replacement Installation

#### Installation Tips to Maximize the Built-In Look

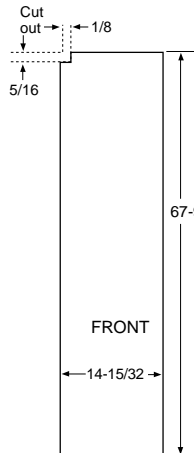
- All wall/floor molding should be removed prior to installation.
- Water recess on rear wall recommended to prevent water line damage. 48" minimum length, 1/4" diameter water line tubing recommended.
- When possible, recess both copper water line and electrical outlet. (See local codes)
- Front and rear leveling legs are adjustable for the built-in look. (See owner's manual)
- If optional collar trim kit is to be used or anticipated, see collar trim installation on next page for different rough-in dimensions.



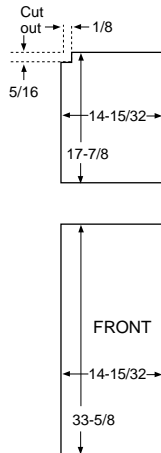
\*The rough-in dimension of 70-1/4" is minimum and is measured from the finished floor to top of opening (or the underside of the overhead cabinets). For Models with Trim Kit: If frameless style cabinets are planned for above the refrigerator, you may need to consider adding a maximum of 1/4" (70-1/2") to height of opening to allow additional clearance between cabinet doors and top of refrigerator trim when cabinet doors are in open position.

## Door Panel Dimensions

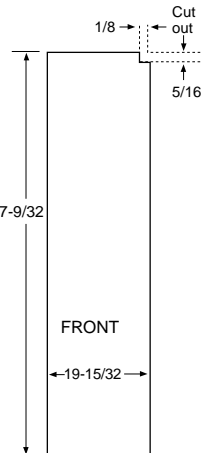
### Freezer Panel without Dispenser



### Freezer Panel with Dispenser



### Fresh Food Panel



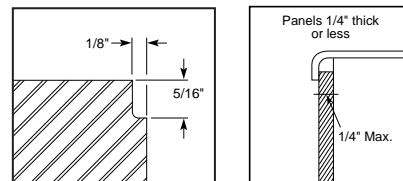
### Order your own custom wood panels to match cabinetry or other decor.

Panels up to 1/4" thick will fit door frame with no special preparation. Add filler behind material thinner than 1/4" for proper fit.

**Weight Limits:** Total weight of panels (i.e., both freezer panels)— Fresh Food = 38 lbs., Freezer = 28 lbs.

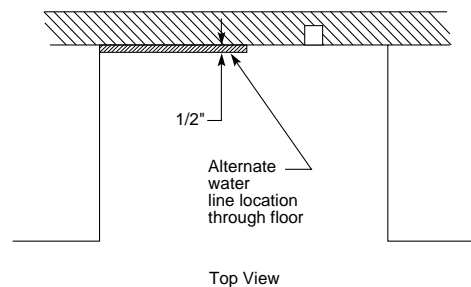
**Note:** Panels up to 3/4" will require special routing area around handles. Dimensions may vary depending on depth of panel.

### Detail C

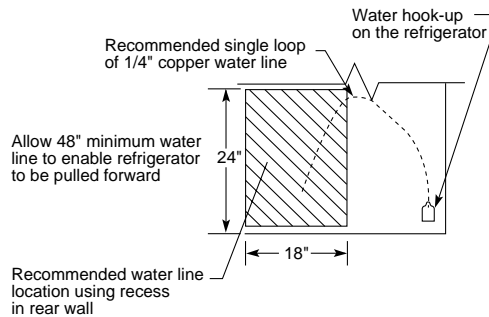


(Fresh Food panel shown)  
Notch required at top corner as noted.

## Installation of Water Outlets



Top View



Rear Wall View

**IMPORTANT:** Before finalizing specifications for your GE Profile CustomStyle Refrigerator, please NOTE:

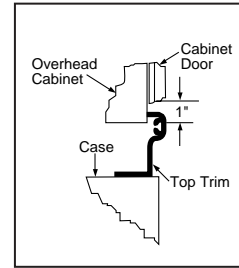
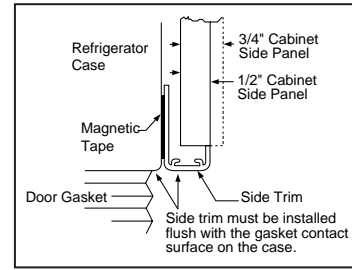
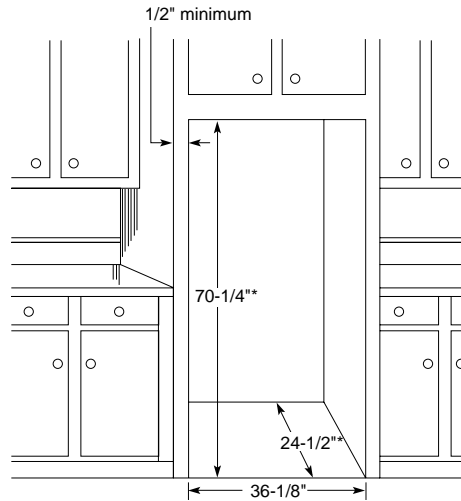
- A minimum of 36" is required for refrigerator installation
- Be sure to allow for 1/2" or 3/4" side panels in addition to the 36" minimum

See page 156 for warranty information.

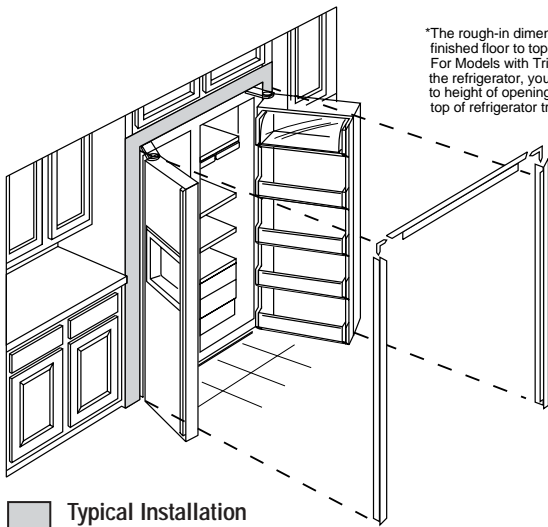


## Collar Trim Installation

An enclosure is **required** to match up to the trim, see Typical Installation. To obtain the most integrated look, the cabinet or soffit above the refrigerator should extend out to the same depth as the side panels. The refrigerator opening must have minimum dimensions of 70-1/4" high x 36-1/8" wide x 24-1/2" deep as shown at right. If there is an overhead cabinet, allow 1" for cabinet door clearance with the top trim piece so the cabinet doors can be opened without hitting the top trim. If 1/2" side panels are used, then side trim and panel will be even. If 3/4" side panels are used, then some of the side panel will extend beyond the trim and must be finished.



\*The rough-in dimension of 70-1/4" is minimum and is measured from the finished floor to top of opening (or the underside of the overhead cabinets). For Models with Trim Kit: If frameless style cabinets are planned for above the refrigerator, you may need to consider adding a maximum of 1/4" (70-1/2") to height of opening to allow additional clearance between cabinet doors and top of refrigerator trim when cabinet doors are in open position.



### Typical Installation

Shaded areas represent front surfaces of side panels and overhead cabinet or soffit that contacts trim.

### IMPORTANT: Before finalizing specifications for your GE Profile CustomStyle Refrigerator, please NOTE:

- A minimum of 36-1/8" is required for refrigerator installation with collar
- Be sure to allow for 1/2" or 3/4" side panels in addition to the 36-1/8" minimum

### Fabricating the Enclosure

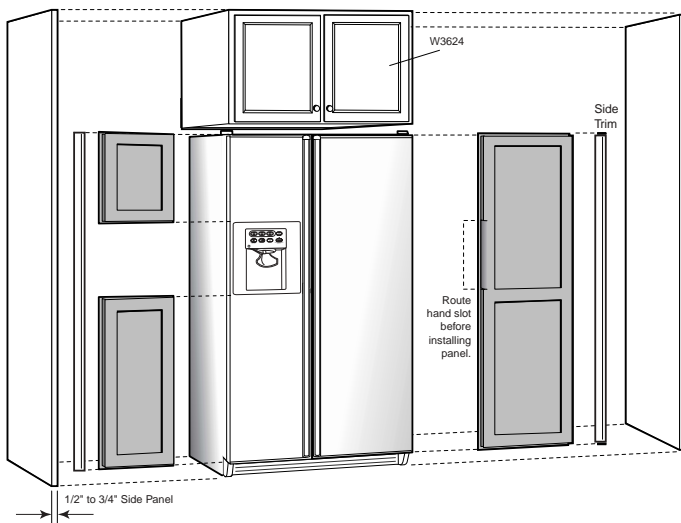
- The drawing shows an 84" cabinet elevation. Adjust dimensions accordingly for other cabinet elevations.
- Cabinet pieces to order: (2) side panels and (1) wall cabinet.
- Side panels will typically be attached to adjacent cabinets and/or cleated to rear wall and floor.
- Refer to GE refrigerator installation instructions for proper plumbing, and electrical and air clearances.
- (1) Some framed cabinet lines will make a refrigerator enclosure with a cabinet 12" high x 39" wide with sides and 1-1/2" face frame extended down to floor to create the refrigerator space. This will replace the above construction.
- (2) A tall cabinet on either side of the refrigerator can replace a side panel!
- Counter overhangs on either side of the refrigerator should have clipped corners to allow for full door swing.
- If the refrigerator has a wall returning beyond the front of the refrigerator on either side, a 2" tall filler will help to allow for movement of the door.

### Door Panels

- See drawings for exact dimensions of the fresh-food and freezer door panels.
- Refrigerator door fronts from stock and most semi-custom cabinet manufacturers will be supplied as 1/4"-thick panels cut to dimensions, with closest available standard door sizes applied to front.
  - This will leave a "reveal" at top/bottom and sides.
  - Width of "reveal" will depend on manufacturer's standard door sizes.
  - Door will be affixed on the 1/4" panels at factory or in the field by the local supplier, depending on manufacturer.
- Local shop-built or custom cabinet supplier may fabricate custom 3/4" panels. In this case, edges must be routed.
- Follow notes on drawing to assure room for fingers/hands to open handles.

## Create a Custom Look for Your GE Profile CustomStyle Side-By-Side Refrigerator

Still another advantage offered by GE Profile CustomStyle Refrigerators is ease of installation. For a refrigerator that does so much to enhance the beauty of your kitchen, the "behind-the-scenes" preparation and installation are surprisingly simple.




# GE® Side-By-Side Refrigerators

	GE "L" Series		GE "K" Series			GE "W" Series	
	GSS25LSQ GSS25LGP	GSS25SGP GSH25SGP	GSS22SGP GSH22SGP	GSH25KGP	GSH22KGP	GSL25WGP GSL22WGP	GSS25WGP GSS22WGP
Stainless steel model	● / -	●	●				
<b>Capacity</b>							
Total (cu. ft.)	25.4	24.9	21.9	24.9	21.9	24.9/21.9	24.9/21.9
Fresh food (cu. ft.)	15.90	15.40	14.77	15.40	14.77	15.40/14.84	15.40/14.84
Freezer (cu. ft.)	9.48	9.56	7.14	9.56	7.14	9.56/7.14	9.56/7.14
Shelf area (sq. ft.)	23.7	24.3	22.4	24.3	22.4	24.3/22.3	24.3/22.3
<b>Fresh Food Features</b>							
SmartWater™ filtration system	Plus	Plus	Plus	Plus	Plus	Plus	Plus
	Crushed Ice, Cubes, Water	Crushed Ice, Cubes, Water	Crushed Ice, Cubes, Water	Crushed Ice, Cubes, Water	Crushed Ice, Cubes, Water	Crushed Ice, Cubes, Water	Crushed Ice, Cubes, Water
LightTouch! dispenser features							
Light	●	●	●	●	●	●	●
Child lock	●	●	●	●	●		
Door alarm	●						
Water filter indicator light	●	●	●	●	●	●	●
Upfront electronic touch temperature controls	●	●	●	●	●	●	●
Upfront electronic temperature controls		●	●	●	●	●	●
Cabinet shelves	3 Glass	3 Glass	3 Glass	3 Glass	3 Glass	3 Glass	3 Glass
Adjustable	3	3	3	3	3	3	3
Slide-out	2	3	3	3	3	3	3
Spillproof	2	3	3	3	3	3	3
QuickSpace™ shelf	●						
Integrated shelf system	●						
TurboCool™ setting	●						
Snuggler™ clip		1	1	1	1	1	1
Deli pan	1 Sealed	1 Adj. Temp.	1 Adj. Temp.	1 Adj. Temp.	1 Adj. Temp.	1 Adj. Temp.	1 Adj. Temp.
Vegetable/fruit crisper	1 Adj. Humid.	1 Adj. Humid.	1 Adj. Humid.	1 Adj. Humid.	1 Adj. Humid.	1 Adj. Humid.	1 Adj. Humid.
Snack pan	●	●	●	●	●	1 Adj. Humid.	1 Adj. Humid.
Adjustable door bins	4 (3 Adj. w/ gallon storage)	4 (2 Adj. w/ gallon storage)	4 (2 Adj. w/ gallon storage)	4 (2 Adj. w/ gallon storage)	4 (2 Adj. w/ gallon storage)	4 (2 Adj. w/ gallon storage)	4 (2 Adj. w/ gallon storage)
Dairy compartment	●	●	●	●	●	●	●
Can storage rack (door)						●	●
Interior light system	Dual-level	Dual-level	Dual-level	Dual-level	Dual-level	Dual-level	Dual-level
Quiet Design	Deluxe	Deluxe	Deluxe	Deluxe	Deluxe	Deluxe	Deluxe
Automatic moisture control	●	●	●	●	●	●	●
NeverClean™ condenser	●	●	●	●	●	●	●
ENERGY STAR®	● (15%)	- / ●	- / ●	●	●	●	●
<b>Freezer Features</b>							
Integrated Ice™ system	●						
Factory-installed icemaker and bin		●	●	●	●	●	●
FrostGuard™ technology	●	●	●	●	●	●	●
Wire cabinet shelves	2 (1 slide-out)	4 (3 Adj.)	4 (3 Adj.)	4 (3 Adj.)	4 (3 Adj.)	4 (3 Adj.)	4 (3 Adj.)
Storage basket(s)	3 wire (slide-out)	1 wire (slide-out)	1 wire (slide-out)	1 wire (slide-out)	1 wire (slide-out)	1 wire (slide-out)	1 wire (slide-out)
Door shelves	4 (2 Adj.)	5	5	5	5	5	5
Interior light	Dual	●	●	●	●	●	●
<b>Appearance</b>							
Color(s) available*	SS / WW, CC, BB	SS	SS	WW, CC, BB	WW, CC, BB	CleanSteel™	WW, CC, BB
Deluxe door handle(s)*	Black Premium/CM	Stainless Steel	Stainless Steel	CM Premium	CM Premium	Black	CM Profile
Textured steel door and case	Case only/ ●	Case only	Case only	●	●	Case only	●
Adjustable rollers	Front	Front	Front	Front	Front	Front	Front
<b>Weights &amp; Dimensions</b>							
Height to top of hinge (in.) A	69-1/4	69-3/4	67-1/2	69-3/4	67-1/2	69-3/4 / 67-1/2	69-3/4 / 67-1/2
Height to top of case (in.) B	68-3/4	68-3/4	66-1/2	68-3/4	66-1/2	68-3/4 / 66-1/2	68-3/4 / 66-1/2
Case depth without door (in.) Ct	28	28	28	28	28	28	28
Case depth less door handle (in.) Dt	31-1/4	31-1/4	31-1/4	31-1/4	31-1/4	31-1/4	31-3/4
Case depth with door handle (in.) Et	33-9/16	33-9/16	33-9/16	33-9/16	33-9/16	33-9/16	33-9/16
Depth with fresh food door open 90° (in.) Ft	50-1/16	49-3/8	49-3/8	49-3/8	49-3/8	49-3/8	49-3/8
Width (in.) G	35-3/4	35-3/4	33-1/2	35-3/4	33-1/2	35-3/4 / 33-1/2	35-3/4 / 33-1/2
Width w/door open 90° w/door handle (in.) H	36-1/4	38-3/16	35-15/16	38-3/16	35-15/16	38-3/16 / 35-15/16	38-3/16 / 35-15/16
Air clearances Each side (in.)	1/8	1/8	1/8	1/8	1/8	1/8	1/8
Top (in.)	1	1	1	1	1	1	1
Back (in.)	1	1	1	1	1	1	1
Approx. shipping weight (lbs.)	338	338	334	338	315	338 / 315	338 / 315
Power/Ratings	120V, 60Hz, 15Amps						

\*Color(s) available: BS = Black case with stainless steel doors, SS = Stainless steel, WW = White on white, CC = Bisque on bisque, BB = Black on black, CM = Color-Matched, CleanSteel = Stainless appearance.  
 †Water hook-up fits in back air clearance when calculating installation depth.

If installed against a wall, allow clearance of 10-3/4" on 20 cu. ft. and 22 cu. ft. models; 14-3/16" on 25 cu. ft. models on freezer side to remove bin.  
 Clearances required to remove fresh food full-size pan without disassembling: 13-1/2" on 20 cu. ft.; 15" on 22 cu. ft.; and 18-15/16" on 25 cu. ft.  
 Allow additional space for any necessary leveling adjustments.

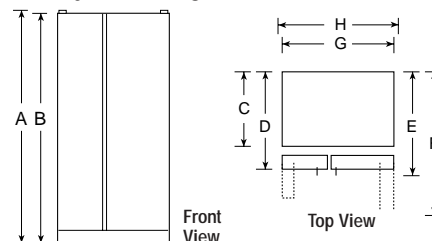
ALL MODELS AVAILABLE IN U.S. AND CANADA.

 Total volume and shelf area are calculated by the Association of Home Appliance Manufacturers' standards.



Listed by Underwriters Laboratories

## Side-By-Side Refrigerators



	GE "J" Series	GE "I" Series			GE "D" Series
	GSS25JEP GSS22JEP	GSS25IFP GSS22IFP	GSS22IBP GSS20IBP	GSS20IEP	GSS20DBP
<b>Capacity</b>					
Total (cu. ft.)	24.9 / 21.9	24.96 / 21.91	21.8 / 19.84	19.94	19.84
Fresh food (cu. ft.)	15.40 / 14.84	15.48 / 14.84	14.87 / 12.87	12.87	12.87
Freezer (cu. ft.)	9.56 / 7.14	9.56 / 7.14	7.04	7.14	7.04
Shelf area (sq. ft.)	22.3 / 20.3	22.3 / 20.3	21.1 / 18.0	17.3	18.1
<b>Fresh Food Features</b>					
SmartWater™ filtration system		●			
LightTouch! dispenser features	Crushed Ice, Cubes, Water	Crushed Ice, Cubes, Water		Crushed Ice, Cubes, Water	
Light	●	●		●	
Upfront electronic temperature controls	●	●	●	●	●
Cabinet shelves	3 Glass	3 glass	3 glass	3 glass	3 wire Everwhite
Adjustable	3	3	3	3	3
Spillproof	●	●	●	●	●
Deli pan	1 Adj. Temp.	1 sealed	1 sealed	1 sealed	1 sealed
Vegetable/fruit crisper	1 Sealed	1 sealed	1 sealed	1 sealed	1 sealed
Adjustable door bins	4 (2 Adj. w/ gallon storage)	4 (2 adj. w/ gallon storage)	4 (2 adj. w/ gallon storage)	4 (2 w/ gallon storage)	4 (2 w/ gallon storage)
Dairy compartment	●	●	●	●	●
Interior light system	Single-level	Single-level	Single-level	Single-level	Single-level
Quiet Design	Deluxe	Deluxe	Deluxe	Deluxe	Deluxe
Automatic moisture control	●	●	●	●	●
NeverClean™ condenser	●	●	●	●	●
<b>Freezer Features</b>					
Factory-installed icemaker and bin	●	●	Opt. (IM5SS)	●	Opt. (IM5SS)
FrostGuard™ technology	●	●	●	●	●
Wire cabinet shelves	4 (3 Adj.)	3 (2 adj.)	5 (4 adj.) 4 (3 adj.)	3 (2 adj.)	4 (3 adj.)
Storage basket(s)	1 bin	1 bin	1 bin	1 bin	1 bin
Door shelves	5	5	6	5	6
Interior light	●	●	●	●	●
<b>Appearance</b>					
Color(s) available*	WW, CC, BB	WW, CC	WW, CC	WW, CC	WW, CC
Deluxe door handle(s)*	CM Premium	CM	CM	CM	CM
Textured steel door and case	●	●	●	●	●
Adjustable rollers	Front	Front	Front	Front	Front
<b>Weights &amp; Dimensions</b>					
Height to top of hinge (in.) A	69-3/4 / 67-1/2	69-3/4 / 67-1/2	67-1/2	67-1/2	67-1/2
Height to top of case (in.) B	68-3/4 / 66-1/2	68-3/4 / 66-1/2	66-1/2	66-1/2	66-1/2
Case depth without door (in.) C†	28	28	28	28	28
Case depth less door handle (in.) D†	31-1/4	31-1/4	31-1/4	31-1/4	31-1/4
Case depth with door handle (in.) E†	33-9/16	33-9/16	33-9/16	33-9/16	33-9/16
Depth with fresh food door open 90° (in.) F†	49-3/8	49-3/8	49-3/8 / 47-3/8	47-3/8	47-3/8
Width (in.) G	35-3/4 / 33-1/2	35-3/4 / 33-1/2	33-1/2 / 31-1/2	31-1/2	31-1/2
Width w/door open 90° w/door handle (in.) H	38-3/16 / 35-15/16	38-3/16 / 35-15/16	35-15/16 / 33-15/16	33-15/16	33-15/16
Air clearances Each side (in.)	1/8	1/8	1/8	1/8	1/8
Top (in.)	1	1	1	1	1
Back (in.)	1	1	1	1	1
Approx. shipping weight (lbs.)	338 / 321	344 / 321	321/ 306	306	306
Power/Ratings	120V, 60 Hz, 15Amps				

\*Color(s) available: WW = White on white, CC = Bisque on bisque, BB= Black on black, CM = Color-Matched.

†Water hook-up fits in back air clearance when calculating installation depth.

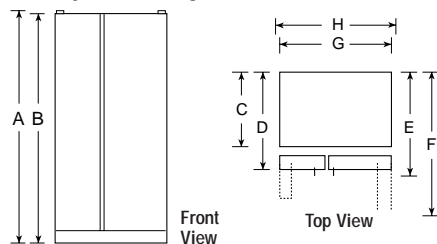
If installed against a wall, allow clearance of 10-3/4" on 20 cu. ft. and 22 cu. ft. models; 14-3/16" on 25 cu. ft. models on freezer side to remove bin.

Clearances required to remove fresh food door full-size pan without disassembling: 13-1/2" on 20 cu. ft.; 15" on 22 cu. ft.; and 18-15/16" on 25 cu. ft.

Allow additional space for any necessary leveling adjustments.

ALL MODELS AVAILABLE IN U.S. AND CANADA.

Side-By-Side Refrigerators



Total volume and shelf area are calculated by the Association of Home Appliance Manufacturers' standards.



Listed by Underwriters Laboratories



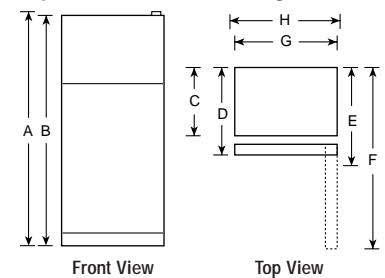
# GE Profile Arctica™ Top-Freezer Refrigerators


	GE Profile Arctica					
	PTS25LHP	PTS25SHP	PTS22LHP	PTS22SHP	PTS22LCP	PTS22SCP
Stainless steel model		●		●		●
<b>Capacity</b>						
Total (cu. ft.)	24.6	24.6	21.7	21.7	21.7	21.7
Fresh food (cu. ft.)	17.51	17.51	15.35	15.35	15.35	15.35
Freezer (cu. ft.)	7.08	7.08	6.35	6.35	6.35	6.35
Shelf area (sq. ft.)	29.1	29.1	26.3	26.3	26.3	26.3
<b>Fresh Food Features</b>						
Internal water dispenser	●	●	●	●		
ClimateKeeper™ system	●	●	●	●	●	●
Multiflow air system	●	●	●	●	●	●
Upfront electronic touch temperature controls	●	●	●	●	●	●
Electronic sensors	●	●	●	●	●	●
GE SmartWater™ filtration	●	●	●	●		
Cabinet shelves	4 Glass	4 Glass	4 Glass	4 Glass	4 Glass	4 Glass
Adjustable	4 Split	4 Split	4 Split	4 Split	4 Split	4 Split
Slide-out, removable	3	3	3	3	3	3
Spillproof	4	4	4	4	4	4
ShelfSaver™ rack	●	●	●	●	●	●
Deli pan	Adj. Temp.	Adj. Temp.	Adj. Temp.	Adj. Temp.	Adj. Temp.	Adj. Temp.
Vegetable/fruit crisper(s)	2 Adj. Humid.	2 Adj. Humid.	2 Adj. Humid.	2 Adj. Humid.	2 Adj. Humid.	2 Adj. Humid.
Pivot-out pan removal system	●	●	●	●	●	●
ClearLook™ adjustable gallon door bins	4 (Adj.)	4 (Adj.)	4 (Adj.)	4 (Adj.)	4 (Adj.)	4 (Adj.)
Snugger™ clip(s)	2	2	2	2	2	2
Fixed door bins	1 (Tall Bottle)	1 (Tall Bottle)	1 (Tall Bottle)	1 (Tall Bottle)	1 (Tall Bottle)	1 (Tall Bottle)
Dairy compartment	●	●	●	●	●	●
Interior light system	Dual	Dual	Dual	Dual	Dual	Dual
Quiet Design	Premium	Premium	Premium	Premium	Premium	Premium
Automatic moisture control	●	●	●	●	●	●
NeverClean™ condenser	●	●	●	●	●	●
ENERGY STAR®	●	●	●	●	●	●
<b>Freezer Features</b>						
Factory-installed icemaker and bin	●	●	●	●	●	●
Multiflow air system (freezer)	●	●	●	●	●	●
Ice storage bin	Ice Bucket	Ice Bucket	Ice Bucket	Ice Bucket	Ice Bucket	Ice Bucket
FrostGuard™ technology	●	●	●	●	●	●
Spillproof freezer floor	●	●	●	●	●	●
Wire freezer compartment shelves	1 full-width (2 pos.)	1 full-width (2 pos.)	1 full-width (2 pos.)	1 full-width (2 pos.)	1 full-width (2 pos.)	1 full-width (2 pos.)
Freezer door bins	2 (1 Adj.)	2 (1 Adj.)	2 (1 Adj.)	2 (1 Adj.)	2 (1 Adj.)	2 (1 Adj.)
Tilt-out locking freezer door bin	●	●	●	●	●	●
Interior light	●	●	●	●	●	●
<b>Exterior</b>						
Color(s) available*	WW, CC, BB	BS	WW, CC, BB	BS	WW, CC, BB	BS
Deluxe door handle(s)	Color-Matched	Black	Color-Matched	Black	Color-Matched	Black
Customer installed handles	●	●	●	●	●	●
Exterior design	Rounded Doors	Rounded Doors	Rounded Doors	Rounded Doors	Rounded Doors	Rounded Doors
Reversible doors	●	●	●	●	●	●
Adjustable rollers	Front	Front	Front	Front	Front	Front
<b>Weights &amp; Dimensions</b>						
Height to top of hinge (in.) A	68-5/8	68-5/8	67-1/2	67-1/2	67-1/2	67-1/2
Height to top of case (in.) B	67-7/8	67-7/8	66-7/8	66-7/8	66-7/8	66-7/8
Case depth without door (in.) C	27-5/8	27-5/8	27-5/8	27-5/8	27-5/8	27-5/8
Case depth less door handle (in.) D	31-5/8	31-5/8	31-5/8	31-5/8	31-5/8	31-5/8
Case depth with door handle (in.) E	33-5/8	33-5/8	33-5/8	33-5/8	33-5/8	33-5/8
Depth with fresh food door open 90° (in.) F	66	66	63	63	63	63
Width (in.) G	35 7/8	35-7/8	32-7/8	32-7/8	32-7/8	32-7/8
Width w/door open 90° w/door handle (in.) H	38	38	35	35	35	35
Air clearances Each side (in.)	1/8	1/8	1/8	1/8	1/8	1/8
Top (in.)	1	1	1	1	1	1
Back (in.)	1	1	1	1	1	1
Approx. shipping weight (lbs.)	310	310	260	260	260	260
Power/Ratings	120V, 60Hz, 15Amps					

\*Color(s) available: BS = Black case with stainless steel doors, WW = White on white, CC = Bisque on bisque, BB = Black on black.

ALL MODELS AVAILABLE IN U.S. AND CANADA.

Top-Freezer No-Frost Refrigerators



 Total volume and shelf area are calculated by the Association of Home Appliance Manufacturers' standards.



Listed by Underwriters Laboratories

# GE Profile CustomStyle™ Top-Freezer Refrigerators

	GE Profile™						
	PTC22MBM	PTC22MFM	PTC22SBM	PTC22SFM	PTI22MBM	PTI22MFM	PTI22SFM
Stainless steel model			●	●			●
<b>Capacity</b>							
Total (cu. ft.)	21.9	21.7	21.9	21.7	21.9	21.7	21.7
Fresh food (cu. ft.)	15.4	15.4	15.4	15.4	15.4	15.4	15.4
Freezer (cu. ft.)	6.5	6.3	6.5	6.3	6.5	6.3	6.3
Shelf area (sq. ft.)	22.4	20	22.4	20	22.4	20	20
<b>Fresh Food Features</b>							
SmartWater™ filtration system		●		●		●	●
LightTouch! dispenser		Crushed Ice, Cubes, Water		Crushed Ice, Cubes, Water		Crushed Ice, Cubes, Water	Crushed Ice, Cubes, Water
Upfront illuminated temperature controls	●	●	●	●	●	●	●
Cabinet shelves	4 Glass	4 Glass	4 Glass	4 Glass	4 Glass	4 Glass	4 Glass
Adjustable	4 Split	4 Split	4 Split	4 Split	4 Split	4 Split	4 Split
Slide-out, spillproof	3	3	3	3	3	3	3
Snugger clip	●	●	●	●	●	●	●
QuickSpace™ shelf	●	●	●	●	●	●	●
Meat pan	Adj. Temp.	Adj. Temp.	Adj. Temp.	Adj. Temp.	Adj. Temp.	Adj. Temp.	Adj. Temp.
Vegetable/fruit crisper(s)	2 Adj. Humid.	2 Adj. Humid.	2 Adj. Humid.	2 Adj. Humid.	2 Adj. Humid.	2 Adj. Humid.	2 Adj. Humid.
Slide-out, spillproof crisper cover	●	●	●	●	●	●	●
ClearLook modular door bins	4 Adj. w/gallon storage	4 Adj. w/gallon storage	4 Adj. w/gallon storage	4 Adj. w/gallon storage	4 Adj. w/gallon storage	4 Adj. w/gallon storage	4 Adj. w/gallon storage
Fixed door bins	1 F/W tall bottle	1 F/W tall bottle	1 F/W tall bottle	1 F/W tall bottle	1 F/W tall bottle	1 F/W tall bottle	1 F/W tall bottle
Slide-out, slide-over pan removal system	●	●	●	●	●	●	●
Dairy compartment	●	●	●	●	●	●	●
Beverage rack	●	●	●	●	●	●	●
Interior light system	Dual	Dual	Dual	Dual	Dual	Dual	Dual
Quiet Design	Deluxe	Deluxe	Deluxe	Deluxe	Deluxe	Deluxe	Deluxe
Automatic moisture control	●	●	●	●	●	●	●
NeverClean condenser	●	●	●	●	●	●	●
ENERGY STAR®	●	●	●	●	●	●	●
<b>Freezer Features</b>							
Factory-installed icemaker & bin	Opt. (IM4A)	●	Opt. (IM4A)	●	Opt. (IM4A)	●	●
Ice 'N Easy trays	3		3				
Ice storage bin	●		●		●		
Wire compartment shelf(s)	2 Split (Adj.)	1(Adj.)	2 Split (Adj.)	1(Adj.)	2 Split (Adj.)	1(Adj.)	1(Adj.)
Door bins	2 Adj./1 F/W fixed	2 fixed (1 w/gallon storage)	2 Adj./1 F/W fixed	2 fixed (1 w/gallon storage)	2 Adj./1 F/W fixed	2 fixed (1 w/gallon storage)	2 fixed (1 w/gallon storage)
Interior light	●	●	●	●	●	●	●
<b>Exterior</b>							
Color(s) available*	WW, BB	WW, CC, BB	BS	BS	WW, BB	WW, BB	BS
CustomStyle configuration	Trimless	Trimless	Trimless	Trimless	Installed Trim	Installed Trim	Installed Trim
Premium door handles*	CM Deluxe	CM Deluxe	Black Deluxe	Black Deluxe	CM Full-Length	CM Full-Length	Stainless Steel Appearance
Choose right or left door opening	●	●	●	●	●	●	●
Reversible doors	●						
Exterior design	Rounded Doors	Rounded Doors	Rounded Doors	Rounded Doors	Squared Doors	Squared Doors	Squared Doors
Adjustable rollers	All	All	All	All	All	All	All
<b>Weights &amp; Dimensions</b>							
Height to top of hinge (in.) A	69-7/8	69-7/8	69-7/8	69-7/8	69-7/8	69-7/8	69-7/8
Height to top of case (in.) B	68-3/4	68-3/4	68-3/4	68-3/4	68-3/4	68-3/4	68-3/4
Height to top of door trim (in.)					70-1/2	70-1/2	70-1/2
Case depth without door (in.) C	23-3/4	23-3/4	23-3/4	23-3/4	23-3/4	23-3/4	23-3/4
Depth less door handle (in.) D	26-3/4	26-3/4	26-3/4	26-3/4	26-3/4	26-3/4	26-3/4
Depth with door handle (in.) E	28-5/8	28-5/8	28-5/8	28-5/8	28-3/8	28-3/8	28-5/8
Depth with fresh food door open 90° (in.) F	61	61	61	61	61	61	61
Width (in.) G	35-3/4	35-3/4	35-3/4	35-3/4	35-3/4	35-3/4	35-3/4
Width with door open 90° w/door handle (in.) H	38-1/4	38-1/4	38-1/4	38-1/4	38	38	38
Air clearances	Each side (in.)	1/8	1/8	1/8	1/8	1/8	1/8
Top (in.)	1	1	1	1	1	1	1
Back (in.)	1/2	1/2	1/2	1/2	1/2	1/2	1/2
Approx. shipping weight (lbs.)	300	324	300	324	300	324	360
Power/Ratings	120V, 60Hz, 15Amps						
<b>Accessories</b>							
Black acrylic panels (optional)	N/A	N/A	N/A	N/A	PTPK22CBB	PTPK22DBB	N/A
White acrylic panels (optional)	N/A	N/A	N/A	N/A	PTPK22CWW	PTPK22DWW	N/A
Stainless steel panels (optional)	N/A	N/A	N/A	N/A	PTPK22CSS	PTPK22DSS	N/A
Black collar trim (optional)	N/A	N/A	N/A	N/A	TRMBISBB	TRMBISBB	N/A
White collar trim (optional)	N/A	N/A	N/A	N/A	TRMBISWW	TRMBISWW	N/A
Bisque collar trim (optional)	N/A	N/A	N/A	N/A	N/A	N/A	N/A
Stainless steel collar trim (optional)	N/A	N/A	N/A	N/A	TRMBISSS	TRMBISSS	TRMBISSS

\*Color(s) available: BS = Black case with stainless steel doors, WW = White on white, CC = Bisque on bisque, BB = Black on black, CM = Color-Matched.

ALL MODELS AVAILABLE IN U.S. AND CANADA.

# GE Profile CustomStyle™ Top-Freezer Installation Information and Specifications

## Rough-In Dimensions

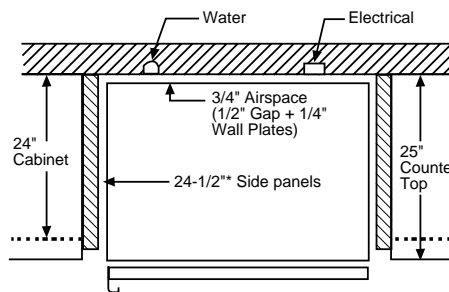
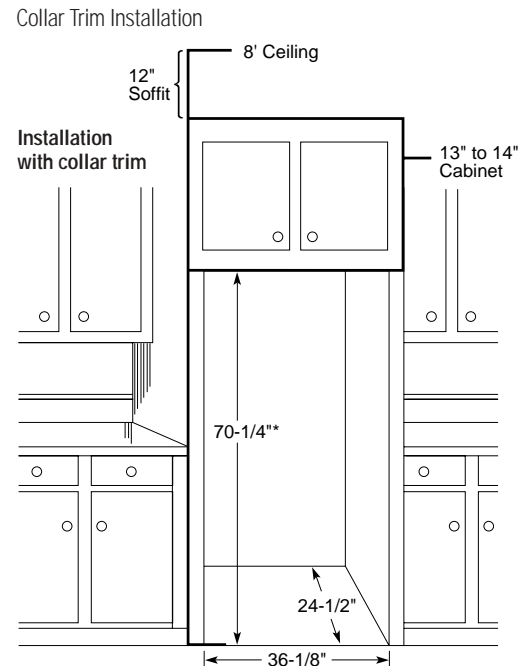
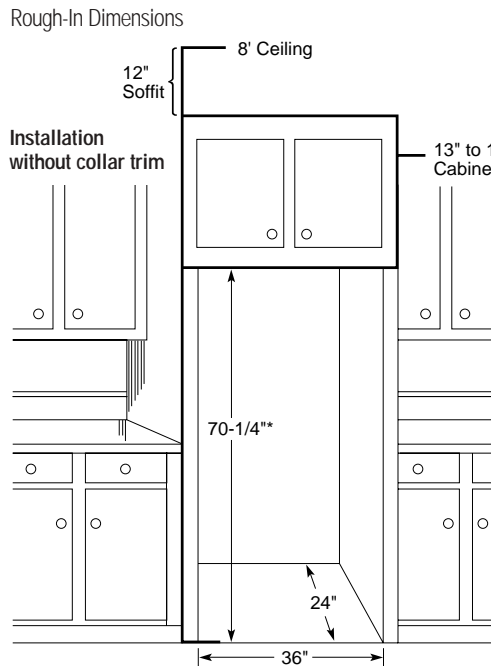
### Standard, New Construction and Replacement Installation

#### Installation Tips to Maximize the Built-In Look

- All wall/floor molding should be removed prior to installation.
- Water recess on rear wall recommended to prevent water line damage. 48" minimum length, 1/4" diameter water line tubing recommended.
- When possible, recess both copper water line and electrical outlet. (See local codes)
- Front and rear leveling legs are adjustable for the built-in look. (See owner's manual)

## Collar Trim Installation

An enclosure is **required** to match up to the trim, see Typical Installation. To obtain the most integrated look, the cabinet or soffit above the refrigerator should extend out to the same depth as the side panels. The refrigerator opening must have minimum dimensions of 70-1/4" high x 36-1/8" wide x 24-1/2" deep as shown at right. If there is an overhead cabinet, allow 1" for cabinet door clearance with the top trim piece so the cabinet doors can be opened without hitting the top trim. If 1/2" side panels are used, then side trim and panel will be even. If 3/4" side panels are used, then some of the side panel will extend beyond the trim and must be finished.



\*The rough-in dimension of 70-1/4" is minimum and is measured from the finished floor to top of opening (or the underside of the overhead cabinets). For Models with Trim Kit: If frameless style cabinets are planned for above the refrigerator, you may need to consider adding a maximum of 1/4" (70-1/2") to height of opening to allow additional clearance between cabinet doors and top of refrigerator trim when cabinet doors are in open position.

For 22 cu. ft. models only.

\*22" depth applies to the refrigerator opening, not the actual cabinet depth.

## Door Panel Dimensions

Order your own custom wood panels to match cabinetry or other decor.

	Fresh Food Panels	Freezer Panel Without Dispenser	Freezer Panel With Dispenser
22 cu. ft.	B-42-1/4" C-35-3/4"	A-24-1/16" C-35-3/4"	D-24-1/16" C-35-3/4"

Panels up to 1/4" thick will fit door frame with no special preparation. Add filler behind material thinner than 1/4" for proper fit.

Note: Panels up to 3/4" will require special routing area around handles. Dimensions may vary depending on depth of panel.

### Handle Side Clearance

- At least 2-5/8" (67mm) on the handle side for fingertip clearances.

### Top and Bottom Clearance

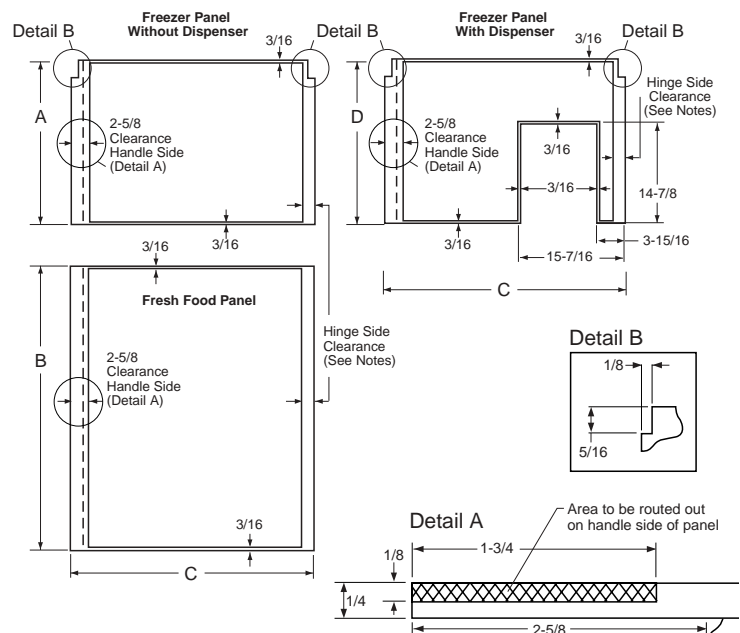
- At least 3/16" (4.75mm) at the top and bottom edges to allow for trim flange.

### Hinge Side Clearance

- A 3/4" (19mm) thick door panel may strike the adjacent countertops when the door is fully opened. Therefore, the hinge side clearance to raised panel will vary according to the installation situation.
  - Allow 1-3/4" (44mm) clearance when installation does not include side panels.
  - The installation of 3/4" (19mm) thick side panels requires less clearance because the space between the door and adjacent countertop is wider.
- To avoid door contact to countertop consider:
  - Miter the corner of the adjacent countertops 45°, or
  - Pull the refrigerator forward enough to avoid contact.

### Stability Leg

- The top-freezer refrigerator is the first cabinet-depth top-freezer. This means depth is more shallow than conventional models and the width is larger. The stability leg gives the unit extra support.



**IMPORTANT:** Before finalizing specifications for your GE Profile CustomStyle Refrigerator, please NOTE:

- A minimum of 36" is required for refrigerator installation
- Be sure to allow for 1/2" or 3/4" side panels in addition to the 36" minimum

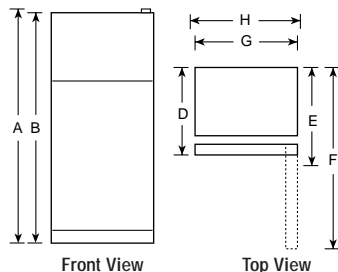


# GE® Top-Freezer Refrigerators

	GE "W" Series		GE "K" Series					
	GTS22WCP	GTS18WCP	GTS22KBP	GTS22KHP	GTH22SBN GTH22SHP	GTH18KBP GTS18KBP	GTS18KHP	GTS18SBP GTS18SHP
<b>Capacity</b>								
Total (cu. ft.)	21.7	17.9	21.7	21.7	21.7	17.9	17.9	17.9
Fresh food (cu. ft.)	15.35	12.87	15.35	15.35	15.35	12.87	12.87	12.87
Freezer (cu. ft.)	6.35	4.98	6.35	6.35	6.35	4.98	4.98	4.98
Shelf area (sq. ft.)	24.9	22.0	25.3	24.9	25.3	22.4	22.4	22.4
<b>Fresh Food Features</b>								
Upfront temperature controls	Illuminated	Illuminated	Illuminated	Illuminated	Illuminated	Illuminated	Illuminated	Illuminated
Cabinet shelves	4 Glass (Lift-off)	4 Glass (Lift-off)	4 Glass	4 Glass	4 Glass	4 Glass	4 Glass	4 Glass
Adjustable	4 Split	4 Split	4 Split	4 Split	4 Split	4 Split	4 Split	4 Split
Spillproof	4	4	4	4	4	4	4	4
Internal water dispenser				●	- / ●		●	- / ●
GE SmartWater™ filtration				●	- / ●		●	- / ●
Vegetable/fruit crisper(s)	2 Adj. Humid.	2 Adj. Humid.	2 Adj. Humid.	2 Adj. Humid.	2 Adj. Humid.	2 Adj. Humid.	2 Adj. Humid.	2 Adj. Humid.
Snack pan	●	●	●	●	●	●	●	●
Pivot-out pan removal system	●	Slide over, Slide out	●	●	●	Slide over, Slide out	Slide over, Slide out	Slide over, Slide out
Adjustable gallon door bins	3 (Adj.)	3 (Adj.)	3 (Adj.)	3 (Adj.)	3 (Adj.)	3 (Adj.)	3 (Adj.)	3 (Adj.)
Fixed door bins	1 (Tall Bottle)	1 (Tall Bottle)	1 (Tall Bottle)	1 (Tall Bottle)	1 (Tall Bottle)	1 (Tall Bottle)	1 (Tall Bottle)	1 (Tall Bottle)
Door shelves								
Dairy compartment	●	●	●	●	●	●	●	●
Interior light system	Dual	Dual	Dual	Dual	Dual	Dual	Dual	Dual
Quiet Design	Deluxe	Deluxe	Deluxe	Deluxe	Deluxe	Deluxe	Deluxe	Deluxe
Automatic moisture control	●	●	●	●	●	●	●	●
NeverClean™ condenser	●	●	●	●	●	●	●	●
ENERGY STAR®						● / -		
<b>Freezer Features</b>								
Factory-installed icemaker	●	●	Opt. (IM4A)	●	Opt. (IM4A) / ●	Opt. (IM4A)	●	Opt. (IM4A) / ●
Ice 'N Easy trays			2		2 / -	2		2 / -
Ice storage bin	Ice Bucket	Ice Bucket		Ice Bucket	- / Ice Bucket		Ice Bucket	- / Ice Bucket
FrostGuard™ technology					●			
Spillproof freezer floor	●	●	●	●	●	●	●	●
Wire freezer compartment shelves	1 F/W (2 pos.)	Step	1 F/W (2 pos.)	1 F/W (2 pos.)	1 F/W (2 pos.)	Step	Step	Step
Adjustable door bins	1 (Adj.)		1 (Adj.)	1 (Adj.)	1 (Adj.)			
Fixed door bins	1 Split (1 F/W)	2 Split (1 F/W)	1 Split (1 F/W)	1 Split (1 F/W)	1 Split (1 F/W)	2 Split (1 F/W)	2 Split (1 F/W)	2 Split (1 F/W)
Interior light	●	●	●	●	●	●	●	●
<b>Exterior</b>								
Color(s) available*	WW, CC	WW, CC	WW, CC, BB	WW, CC, BB	BS	WW, CC, BB	WW, CC, BB	BS
Door handle(s)*	CM	CM	CM	CM	Black	CM	CM	Black
Customer installed handles	●	●	●	●	●	●	●	●
Exterior design	Rounded Doors	Rounded Doors	Rounded Doors	Rounded Doors	Rounded Doors	Square Doors	Square Doors	Square Doors
Reversible doors	●	●	●	●	●	●	●	●
Adjustable rollers	Front	Front	Front	Front	Front	Front	Front	Front
<b>Weights &amp; Dimensions</b>								
Height to top of hinge (in.) A	67-1/2	66-5/8	67-1/2	67-1/2	67-1/2	66-5/8	66-5/8	66-5/8
Height to top of case (in.) B	66-7/8	66-1/8	66-7/8	66-7/8	66-7/8	66-1/8	66-1/8	66-1/8
Height to mid-freezer (in.)	54-1/2	53-15/16	54-1/2	54-1/2	54-1/2	53-15/16	53-15/16	53-15/16
Case depth without door (in.) C	27-5/8	27-1/2	27-5/8	27-5/8	27-5/8	27-1/2	27-1/2	27-1/2
Case depth less door handle (in.) D	31-5/8	30-1/4	31-5/8	31-5/8	31-5/8	30-1/4	30-1/4	30-1/4
Case depth with door handle (in.) E	33-5/8	32-1/8	33-5/8	33-5/8	33-5/8	32-1/8	32-1/8	32-1/8
Depth w/fresh food door open 90° (in.) F	63	58-1/8	63	63	63	58-1/8	58-1/8	58-1/8
Width (in.) G	32-7/8	29-1/2	32-7/8	32-7/8	32-7/8	29-1/2	29-1/2	29-1/2
Width w/door open 90° w/door handle (in.) H	35	32	35	35	35	32	32	32
Air clearances	Each side (in.)	1/8	1/8	1/8	1/8	1/8	1/8	1/8
Top (in.)	1	1	1	1	1	1	1	1
Back (in.)	1	1	1	1	1	1	1	1
Approx. shipping weight (lbs.)	260	233	255	260	255	231	231	231
Power/Ratings	120V, 60Hz, 15Amps							

\*Color(s) available: BS = Black case with Stainless steel doors, WW = White on white, CC = Bisque on bisque, BB = Black on black, CM = Color-Matched.  
**ALL MODELS AVAILABLE IN U.S. AND CANADA.**

## Top-Freezer No-Frost Refrigerators



Note: All Top-Freezer No-Frost Right-Hand Refrigerator Doors: As you face the front of the refrigerator, the handle is on your left and the hinges are on your right.  
 All Top-Freezer No-Frost Left-Hand Refrigerator Doors: As you face the front of the refrigerator, the handle is on your right and the hinges are on your left.



Listed by Underwriters Laboratories



Total volume and shelf area are calculated by the Association of Home Appliance Manufacturers' standards.

# GE® Top-Freezer Refrigerators

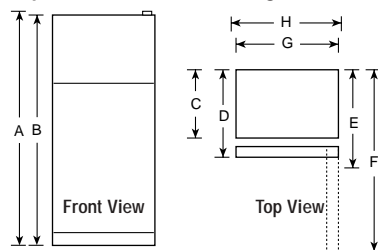
	GE "J" Series				GE "I" Series	GE "D" Series	
	GTS22JBP GTS22JCP	GTH18JBP GTS18JBP	GTL18JBP GTL18JCP	GTS18JCP	GTS20ICN	GTH18DBP GTS18DBP	GTS18DCP
<b>Capacity</b>							
Total (cu. ft.)	21.8	17.9	17.9	17.9	20.0	17.9	17.9
Fresh food (cu. ft.)	15.47	12.89	12.89	12.89	14.61	12.89	12.89
Freezer (cu. ft.)	6.37	5.03	5.03	5.03	5.41	5.03	5.03
Shelf area (sq. ft.)	25.4/25.1	22.6	22.6	22.2	24.5	22.6	22.2
<b>Fresh Food Features</b>							
Upfront temperature controls	Illuminated	Illuminated	Illuminated	Illuminated	●	●	●
Cabinet shelves	3 Glass	3 Glass	3 Glass	3 Glass	3 Glass	3 Wire	3 Wire
Adjustable	2 Split, 1 F/W	2 Split, 1 F/W	2 Split, 1 F/W	2 Split, 1 F/W	2 Split, 1 F/W	2 Split, 1 F/W	2 Split, 1 F/W
Spillproof	●	●	●	●	SpillKeeper™		
Vegetable/fruit crisper(s)	2	2	2	2	2	2	2
Snack pan	●	●	●	●	●	●	●
Pivot-out pan removal system	●	Slide-out, Slide over	Slide-out, Slide over	Slide-out, Slide over		Slide-out, Slide over	Slide-out, Slide over
Fixed door bins	2 F/W 1 w/ gallon storage	2 F/W w/ gallon storage	2 F/W w/ gallon storage	2 F/W w/ gallon storage	3 F/W (2 adj. w/ gallon storage)		
Door shelves	1/2 w/ gallon storage	1/2 w/ gallon storage	1/2 w/ gallon storage	1/2 w/ gallon storage	1/2 fixed	1 Split w/gallon 2 F/W w gallon	1 Split w/gallon 2 F/W w gallon
Dairy compartment	●	●	●	●	●	●	●
Interior light system	Dual	Dual	Dual	Dual	Single	Single	Single
Quiet Design	Deluxe	Deluxe	Deluxe	Deluxe	Deluxe	Deluxe	Deluxe
Automatic moisture control	●	●	●	●	●	●	●
NeverClean™ condenser	●	●	●	●		●	●
ENERGY STAR®		● / -				● / -	
<b>Freezer Features</b>							
Factory-installed icemaker	Opt. (IM4A) / ●	Opt. (IM4A)	Opt. (IM4A) / ●	●	●	Opt. (IM4A)	●
Ice 'N Easy trays	2 / -	2	2 / -	2 / -		2	
Ice storage bin	- / Ice Bucket		- / Ice Bucket	Ice Bucket			Ice Bucket
Spillproof freezer floor	●	●	●	●		●	●
Wire freezer compartment shelves	1 F/W (2 pos.) 2 F/W w/ gallon storage	Step	Step	Step	1 Adj. F/W	(Step)	Step
Fixed door shelves	2 Full-width	2 Full-width	2 Full-width	2 Full-width	2 Fixed	2	2
<b>Exterior</b>							
Color(s) available*	WW, CC	WW, CC	CleanSteel™	WW, CC	WW, CC	WW, CC, BB**	WW, CC, BB**
Door handle(s)*	CM	CM	Black	CM	CM	CM	CM
Customer installed handles	●	●	●	●	●	●	●
Exterior design	Rounded Doors	Rounded Doors	Rounded Doors	Rounded Doors	Rounded Doors	Rounded Doors	Rounded Doors
Reversible doors	●	●	●	●	●	●	●
Choose right or left door opening							
Adjustable rollers	Front	Front	Front	Front	Front	Front	Front
<b>Weights &amp; Dimensions</b>							
Height to top of hinge (in.) A	67-1/2	66-5/8	66-5/8	66-5/8	68-1/8	66-5/8	66-5/8
Height to top of case (in.) B	66-7/8	66-1/8	66-1/8	66-1/8	67-1/2	66-1/8	66-1/8
Height to mid-freezer (in.)	54-1/2	53-15/16	53-15/16	53-15/16	56-3/4	53-15/16	53-15/16
Case depth without door (in.) C	27-5/8	27-1/2	27-1/2	27-1/2	27-1/2	27-1/2	27-1/2
Case depth less door handle (in.) D	31-5/8	30-1/4	30-1/4	30-1/4	30-5/8	30-1/4	30-1/4
Case depth with door handle (in.) E	33-5/8	32-1/8	32-1/8	32-1/8	32-3/8	32-1/8	32-1/8
Depth w/fresh food door open 90° (in.) F	63	58-1/8	58-1/8	58-1/8	57-15/16	58-1/8	58-1/8
Width (in.) G	32-7/8	29-1/2	29-1/2	29-1/2	29-1/2	29-1/2	29-1/2
Width w/door open 90° w/door handle (in.) H	35	32	32	32	32-1/2	32	32
Air clearances Each side (in.)	1/8	1/8	1/8	1/8	1/8	1/8	1/8
Top (in.)	1	1	1	1	1	1	1
Back (in.)	1	1	1	1	1	1	1
Approx. shipping weight (lbs.)	255/260	226	226	231	227	223	228
Power/Ratings	120V, 60Hz, 15Amps						

\*Color(s) available: WW = White on white, CC = Bisque on bisque, BB = Black on black, CM = Color-Matched, CleanSteel™ = Stainless appearance.

\*\*GTS18DBPBB and GTS18DCPBB only available with right door opening.

ALL MODELS AVAILABLE IN U.S. AND CANADA.

## Top-Freezer No-Frost Refrigerators



Total volume and shelf area are calculated by the Association of Home Appliance Manufacturers' standards.



Listed by Underwriters Laboratories

**Note:** All Top-Freezer No-Frost Right-Hand Refrigerator Doors: As you face the front of the refrigerator, the handle is on your left and the hinges are on your right.  
All Top-Freezer No-Frost Left-Hand Refrigerator Doors: As you face the front of the refrigerator, the handle is on your right and the hinges are on your left.

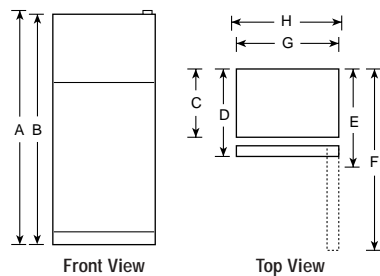
# GE Top-Freezer Refrigerators

	GE "B" Series								GE "A" Series
	GTR18BBM	GTS17BBM GTS17BCM	GTR17BBM	GTS16BBM	GTS15BBM GTH15BBM	GTS15BCM	GTR15BBM	GTS12BBP	GTR11AAP
<b>Capacity</b>									
Total (cu. ft.)	17.6	16.9	16.9	15.6	14.6	14.6	14.6	11.9	11.44
Fresh food (cu. ft.)	13.62	13.05	13.05	11.69	10.77	10.77	10.77	8.94	8.45
Freezer (cu. ft.)	4.01	3.86	3.86	3.86	3.86	3.86	3.86	2.95	2.99
Shelf area (sq. ft.)	18.0	17.5/16.7	17.5	17.2	17.2	16.4	17.2	12.1	13.4
<b>Fresh Food Features</b>									
Upfront temperature controls	●	●	●	●	●	●	●		
Cabinet shelves	2 Wire	2 Wire	2 Wire	2 Wire	2 Wire	2 Wire	2 Wire	2 Wire	2 Wire
Adjustable	2 FW	2 FW	2 FW	2 FW	2 FW	2 FW	2 FW	2 FW	2 FW
Vegetable/fruit crisper(s)	2	2	2	2	2	2	2	1 FW Divided	1 FW
Door shelves	2 (Tall Bottle)	2 (Tall Bottle)	2 (Tall Bottle)	2 (Tall Bottle)	2 (Tall Bottle)	2 (Tall Bottle)	2 (Tall Bottle)	2-1/2 (1 Tall Bottle)	4 (1 Tall Bottle)
Dairy compartment	●	●	●	●	●	●	●	●	
Interior light system	Single	Single	Single	Single	Single	Single	Single	Single	Single
Quiet Design	Deluxe	Deluxe	Deluxe	Deluxe	Deluxe	Deluxe	Deluxe	Standard	Standard
Automatic moisture control	●	●	●	●	●	●	●		
NeverClean™ condenser	●	●	●	●	●	●	●		
ENERGY STAR®					- / ●				
<b>Freezer Features</b>									
Factory-installed icemaker & bin	Opt. (IM4A)	Opt. (IM4A) / ●	Opt. (IM4A)	Opt. (IM4A)	Opt. (IM4A)	●	Opt. (IM4A)	Opt. (IM4A)	
Ice 'N Easy trays	2	2 / -	2	2	2		2	1	2
Ice storage bin		- / Ice Bucket				Ice Bucket			
Wire freezer compartment shelves									1 FW
Fixed door shelves	2	2	2	2	2	2	2	2	2
<b>Exterior</b>									
Color(s) available*	WW, CC	WW, CC WW, CC	WW, CC	WW, CC	WW, CC WW, CC	WW, CC	WW, CC	WW, CC	WW
Door handle(s)*	CM Recessed	CM	CM Recessed	CM	CM	CM	CM Recessed	CM	CM Recessed
Exterior design	Square Doors	Square Doors	Square Doors	Square Doors	Square Doors	Square Doors	Square Doors	Rounded Doors	Contoured Doors
Reversible doors	●	●	●	●	●	●	●	●	●
Choose right or left door opening		●	●	●	●	●	●	●	
Adjustable rollers	Front	Front	Front	Front	Front	Front	Front	Front	
<b>Weights &amp; Dimensions</b>									
Height to top of hinge (in.) A	67-3/8	67-3/8	67-3/8	64-1/4	61-3/4	61-3/4	61-3/4	60-1/2	57-7/8
Height to top of case (in.) B	66-7/8	66-7/8	66-7/8	64-3/4	61-1/4	61-1/4	61-1/4	60	57-3/8
Height to mid-freezer (in.)	57	57	57	54-3/8	51-3/8	51-3/8	51-3/8	52	50
Case depth without door (in.) C	26-3/4	26-3/4	26-3/4	25-7/8	25-7/8	25-7/8	25-7/8	27-3/4	28-1/4
Case depth less door handle (in.) D	30-1/2	30	30	29-1/8	29-1/8	29-1/8	29-1/8	30-5/8	31-1/8
Case depth with door handle (in.) E	30-1/2	31-7/8	30	31	31	31	29-1/8	32-3/8	31-1/8
Depth w/fresh food door open 90° (in.) F	56-3/8	55-3/4	55-3/4	54-7/8	54-7/8	54-7/8	54-7/8	51-5/8	52-3/4
Width (in.) G	28	28	28	28	28	28	28	23-7/8	23-7/8
Width w/door open 90° w/door handle (in.) H	28-7/8	30-1/2	28-5/8	30-1/2	30-1/2	30-1/2	28-5/8	26-1/2	25-1/8
Air clearances Each side (in.)	3/4	3/4	3/4	3/4	3/4	3/4	3/4	1	1
Top (in.)	1	1	1	1	1	1	1	4	4
Back (in.)	1	1	1	1	1	1	1	2	3
Approx. shipping weight (lbs.)	178	179 / 184	178	166	166	171	165	170	163
Power/Ratings	120V, 60Hz, 15Amps								

\*Color(s) available: WW = White on white, CC = Bisque on bisque, CM = Color-Matched.

ALL MODELS AVAILABLE IN U.S. AND CANADA.

## Top-Freezer No-Frost Refrigerators



Note: All Top-Freezer No-Frost Right-Hand Refrigerator Doors: As you face the front of the refrigerator, the handle is on your left and the hinges are on your right.  
All Top-Freezer No-Frost Left-Hand Refrigerator Doors: As you face the front of the refrigerator, the handle is on your right and the hinges are on your left.



Total volume and shelf area are calculated by the Association of Home Appliance Manufacturers' standards.



Listed by Underwriters Laboratories

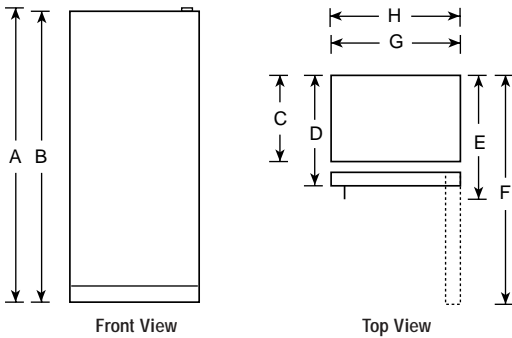


# GE® Manual Defrost Refrigerator

GE	
Manual Defrost	
GMS10AAM	
<b>Capacity</b>	
Total (cu. ft.)	9.7
Fresh food (cu. ft.)	8.74
Freezer (cu. ft.)	.97*
Shelf area (sq. ft.)	9.88
<b>Features</b>	
Ice 'N Easy trays	2
Freezer chiller tray with baffle	●
Cabinet shelves	2 Adj.
Vegetable/fruit crisper	1 F/W
Door shelves	5 (2 Egg w/Pockets)
Tall bottle storage on door	●
Dairy compartment(s)	1
Freezer compartment shelf(s)	1 F/W
<b>Economical/Quiet</b>	
Cabinet/door insulation	Foam
Cabinet/door liner	Plastic
<b>Appearance</b>	
Color(s) available	White
Door handle(s)	Black
Right or left door opening	●
<b>Weights &amp; Dimensions</b>	
Height to top of hinge (in.) A	58
Height to top of case (in.) B	57-9/16
Case depth without door (in.) C	21-3/8
Case depth with door less handle (in.) D	23-1/2
Case depth with door handle (in.) E	24-13/16
Depth with door open 90° less door handle (in.) F	44-13/16
Width (in.) G	23
Width w/door open 90° less door handle (in.) H	23-1/2
Air clearances Each side (in.)	5/8
Top (in.)	2
Back (in.)	1
Approx. shipping weight (lbs.)	135

\*Compartment for short-term storage of frozen food. The frozen food compartment of this refrigerator will make ice, and pre-frozen foods can be stored for about **two weeks**. It will not effectively freeze fresh foods or provide long-term storage for meats, poultry, or fish.

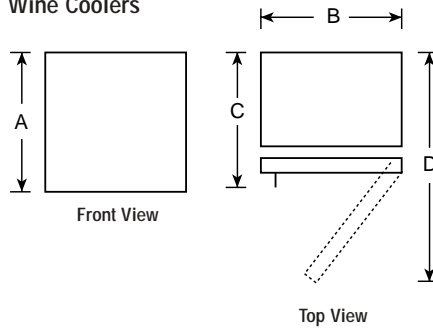
## Manual Defrost Single-Door Refrigerator



# GE Profile™ Wine Cooler

GE Profile	
PWR04FANBB PWR04FANBS	
<b>Capacity</b>	
Total (cu. ft.)	4.3
Bottle capacity	29
<b>Features</b>	
Electronic touch controls	●
Adjustable temperature control (45-65°F)	●
See-through door	●
Door design	Contoured
Pull-out and adjustable racks	Chrome wine rack
Multiple shelf liner positions	5 full-width, 1 display
Interior light	●
Interior light timer (60 min. delay)	●
Lock	●
<b>Appearance</b>	
Color(s) available	Black case and trim Black case and Stainless trim
Door handle	Recessed
Free-standing	●
Meets California Energy Commission (CEC) requirements	●
Cabinet liner color	Black
Reversible door	●
<b>Weights &amp; Dimensions</b>	
Height (in.) A	33-1/2
Width (in.) B	20-1/8
Depth with handle (in.) C	22-3/4
Depth with door open 90° (in.) D	TBD
Each side (in.)	1-1/2
Top (in.)	2
Air clearances Back (in.)	2
Approx. shipping weight (lbs.)	97

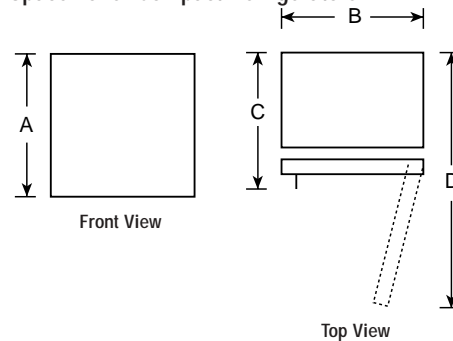
## Wine Coolers



# GE Spacemaker™ Compact Refrigerators

	GE		
	GMR06AAP	GMR04AAM	GMR02BAN
<b>Capacity</b>			
Total (cu. ft.)	6.0	4.3	1.8
Fresh food (cu. ft.)	5.51	3.26	1.51
Freezer (cu. ft.)	.49**	.42**	.21**
Shelf area (sq. ft.)	8.8	6.0	2.9
<b>Features</b>			
Ice 'N Easy trays	2 Mini	1 Mini	1 Mini
Manual defrost	●	●	●
Cabinet shelves (wire)	2 Adj.	2	1
Can rack		●	
Door shelves	1 F/W, 2 half-width	2 F/W, 1 half-width	1 F/W, 1 half-width
Interior light	●		
<b>Economical/Quiet</b>			
Cabinet/door insulation	Foam	Polystyrene	Foam
Cabinet/door liner	HIPS	ABS	ABS
<b>Appearance</b>			
Color(s) available*	WW, BB	WW, BB	WW, BB
Door handles	White Visor/ Black Visor	Color-Matched Recessed	Color-Matched Recessed
Rounded doors		●	●
Reversible doors	●		
<b>Weights &amp; Dimensions</b>			
Height (in.) A	34 -1/4	32-1/8	18-15/16
Width (in.) B	23 -5/8	20-1/16	17-1/2
Depth with handle (in.) C	25-7/8	21-7/8	19-1/4
Depth with door open 90° (in.) D	47 -1/2	39-1/4	35-1/2
Air clearances Each side (in.)	0†	1/2	1/2
Top (in.)	0	2	2
Back (in.)	0	2	2
Approx. shipping weight (lbs.)	88	77	51

## Spacemaker Compact Refrigerators



\*Color(s) available: WW = White on white, BB = Black on black.  
 \*\*Compartment for short-term storage of frozen food. The frozen food compartment of this refrigerator will make ice, and pre-frozen foods can be stored for about **two weeks**. It will not effectively freeze fresh foods or provide long-term storage for meats, poultry, or fish.  
 † If installed against a wall, allow 1-1/4" on hinge side to allow for proper door opening.

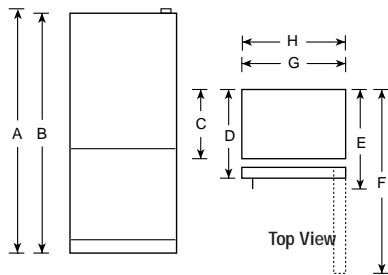
# GE Profile™ and GE® Bottom-Freezer Refrigerators

	GE Profile				GE		
	PDS22SBP PDS22SCP	PDS22MBP PDS22MCP	PDS20SBP PDS20SCP	PDS20MBP PDS20MCP	GBS22KBP	GBS22HBP GBS22HCP	GBS20KBP
Stainless steel model	●		●				
<b>Capacity</b>							
Total (cu. ft.)	22.2	22.2	19.5	19.5	22.3	22.3	19.5
Fresh food (cu. ft.)	15.21	15.21	13.21	13.21	15.21	15.22	13.21
Freezer (cu. ft.)	7.04	7.04	6.31	6.31	7.05	7.09	6.32
Shelf area (sq. ft.)	27.66	27.66	24.44	24.44	23.99	24.27	21.43
<b>Fresh Food Features</b>							
Cabinet shelves	4 Glass	4 Glass	4 Glass	4 Glass	4 Glass	3 Glass	4 Glass
Adjustable	4 Split	4 Split	4 Split	4 Split	4 Split	2 Split, 1 F/W	4 Split
Slide-out	2	2	2	2			
Spillproof	4	4	4	4	4		4
QuickSpace shelf	●	●	●	●			
ShelfSaver™ rack	●	●	●	●			
Vegetable/fruit crisper(s)	2 Adj. Humid.	2 Adj. Humid.	2 Adj. Humid.	2 Adj. Humid.	2 Adj. Humid.	2 Clear	2 Adj. Humid.
Snack pan	Clear	Clear	Clear	Clear	Clear	Clear	Clear
Pivot-out pan removal system	●	●	●	●	●	●	●
ClearLook™ adjustable gallon door bins	4	4	4	4	4 opaque		4 opaque
Snugger™ clip	●	●	●	●			
Fixed door bins	1 F/W w/gal. storage	1 F/W w/gal. storage	1 F/W w/gal. storage	1 F/W w/gal. storage	1 F/W w/gal. storage	2 F/W (1 w/gal. storage)	1 F/W w/gal. storage
Dairy compartment	●	●	●	●	●	●	●
Interior light (Reveal)	Dual	Dual	Dual	Dual	Dual	Dual	Dual
Quiet Design	Deluxe	Deluxe	Deluxe	Deluxe	Deluxe	Deluxe	Deluxe
Automatic moisture control	●	●	●	●	●	●	●
NeverClean™ condenser	●	●	●	●	●	●	●
ENERGY STAR®	●	●	●	●	●	●	●
<b>Freezer Features</b>							
Factory-installed icemaker & bin	Opt. (IM4A) / Integrated	Opt. (IM4A) / Integrated	Opt. (IM4A) / Integrated	Opt. (IM4A) / Integrated	Opt. (IM4A)	Opt. (IM4A) / ●	Opt. (IM4A)
GE SmartWater™ filtration	- / ●	- / ●	- / ●	- / ●			
Ice 'N Easy trays	2 / -	2 / -	2 / -	2 / -	2	2 / -	2
Full slide-out wire basket(s)	2 FW/1 Split	2 FW/1 Split	2 FW/1 Split	2 FW/1 Split	1 F/W, 1/2 Split	1 F/W	1 F/W, 1/2 Split
Wire compartment shelves						1 F/W	
Door shelves					1 Split	1 Split	1 Split
Interior light (Reveal)	●	●	●	●	●	●	●
<b>Exterior</b>							
Color(s) available*	SS	WW, CC, BB	SS	WW, CC, BB	WW, CC, BB	WW, CC, BB	WW, CC, BB
Door handle(s)	Sculptured	Color-Matched	Sculptured	Color-Matched	Color-Matched	Color-Matched	Color-Matched
Customer installed handles	●	●	●	●	●	●	●
Exterior design	Contoured Doors	Contoured Doors	Contoured Doors	Contoured Doors	Contoured Doors	Contoured Doors	Contoured Doors
Door stops	●	●	●	●	●	●	●
Reversible doors	●	●	●	●	●	●	●
Choose left or right door opening	●	●	●	●	●	●	●
Adjustable rollers	Front	Front	Front	Front	Front	Front	Front
<b>Weights &amp; Dimensions</b>							
Height to top of hinge (in.) A	68-5/8	68-5/8	68	68	68-5/8	68-5/8	68
Height to top of case (in.) B	67-7/8	67-7/8	67-1/4	67-1/4	67-7/8	67-7/8	67-1/4
Case depth without door (in.) C	28-1/4	28-1/4	28-1/4	28-1/4	28-1/4	28-1/4	28-1/4
Case depth less door handle (in.) D	31-3/4	31-3/4	31-3/4	31-3/4	31-3/4	31-3/4	31-3/4
Case depth with door handle (in.) E	33-7/8	33-7/8	33-7/8	33-7/8	34-1/8	34-1/8	34-1/8
Depth w/fresh food door open 90° (in.) F	62	62	59	59	62	62	59
Width (in.) G	32-7/8	32-7/8	29-7/8	29-7/8	32-7/8	32-7/8	29-7/8
Width with door open 90° w/door handle (in.) H	36-1/4	36-1/4	33-1/4	33-1/4	36-1/2	36-1/2	33-1/2
Air clearances Each side (in.)	1/8	1/8	1/8	1/8	1/8	1/8	1/8
Top (in.)	1	1	1	1	1	1	1
Back (in.)	1	1	1	1	1	1	1
Approx. shipping weight (lbs.)	287	287	265	265	287	287	265
Power/Ratings	120V, 60Hz, 15Amps						

\*Color(s) available: SS = Stainless steel, WW = White on white, CC = Bisque on bisque, BB = Black on black.

ALL MODELS AVAILABLE IN U.S. AND CANADA.

## Bottom-Freezer Refrigerators



Total volume and shelf area are calculated by the Association of Home Appliance Manufacturers' standards.



Listed by Underwriters Laboratories



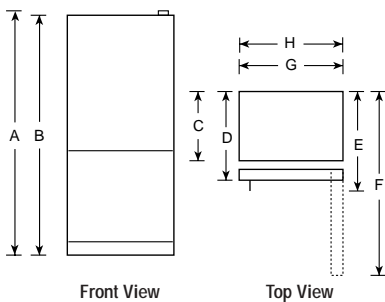
# GE Bottom-Freezer Refrigerators

	GE					
	GDS18SCP	GDS18LCP	GDS18SBP	GDS18LBP	GBS18KBP	GBS18HBP
Stainless steel model	●		●			
<b>Capacity</b>						
Total (cu. ft.)	18.1	18.1	18.1	18.1	18.1	18.1
Fresh food (cu. ft.)	13.44	13.44	13.44	13.44	13.44	13.44
Freezer (cu. ft.)	4.64	4.64	4.64	4.64	4.64	4.64
Shelf area (sq. ft.)	21.0	21.0	21.0	21.0	22.2	22.2
<b>Fresh Food Features</b>						
Brita® Filtered Water Door Module	●	●	●	●		
Cabinet shelves	4 Glass	4 Glass	4 Glass	4 Glass	4 Glass	3 Glass
Adjustable	4 Split	4 Split	4 Split	4 Split	4 Split	2 Split, 1 F/W
Slide-out	2	2	2	2		
Spillproof	4	4	4	4	4	
ShelfSaver™ rack	●	●	●	●		
Vegetable/fruit crisper(s)	2 Adj. Humid.	2 Adj. Humid.	2 Adj. Humid.	2 Adj. Humid.	2 Adj. Humid.	2 Clear
Snack pan	Clear	Clear	Clear	Clear	Clear	Clear
Pivot-out pan removal system	Slide over, slide out	Slide over, slide out	Slide over, slide out	Slide over, slide out	●	●
Adjustable gallon door bins	3	3	3	3	4	
Snugger™ clip	●	●	●	●		
Fixed door bins	1 F/W w/gal. storage	1 F/W w/gal. storage	1 F/W w/gal. storage	1 F/W (1 w/gal. storage)	1 F/W w/gal. storage	2 F/W w/gal. storage
Dairy compartment	●	●	●	●	●	●
Interior light	Dual	Dual	Dual	Dual	Dual	Dual
Quiet Design	Deluxe	Deluxe	Deluxe	Deluxe	Deluxe	Deluxe
Automatic moisture control	●	●	●	●	●	●
NeverClean™ condenser	●	●	●	●	●	●
ENERGY STAR®	●	●	●	●	●	●
<b>Freezer Features</b>						
Factory-installed icemaker & bin	●	●	Opt. (IM4A)	Opt. (IM4A)	Opt. (IM4A)	Opt. (IM4A)
Ice™N Easy trays			2	2	2	2
Ice storage bin			●	●		●
Full slide-out wire basket(s)	1 F/W, 2 Split	1 F/W, 2 Split	1 F/W, 2 Split	1 F/W, 2 Split	1 F/W	1 F/W
Wire compartment shelves					1 F/W	1 F/W
Interior light	●	●	●	●	●	●
<b>Exterior</b>						
Color(s) available*	SS	WW, CC, BB	SS	WW, CC, BB	WW, CC	WW, CC, BB
Door handle(s)	Color-Matched	Color-Matched	Color-Matched	Color-Matched	Color-Matched	Color-Matched
Exterior design	Rounded Doors	Rounded Doors	Rounded Doors	Rounded Doors	Rounded Doors	Rounded Doors
Door stops	●	●	●	●	●	●
Reversible doors				●	●	●
Choose left or right door opening	●	●	●			
Adjustable rollers	Front	Front	Front	Front	Front	Front
<b>Weights &amp; Dimensions</b>						
Height to top of hinge (in.) A	66-1/4	66-1/4	66-1/4	66-1/4	66-1/4	66-1/4
Height to top of case (in.) B	65-3/4	65-3/4	65-3/4	65-3/4	65-3/4	65-3/4
Case depth without door (in.) C	25-1/4	25-1/4	25-1/4	25-1/4	25-1/4	25-1/4
Case depth less door handle (in.) D	28	28	28	28	28	28
Case depth with door handle (in.) E	30-3/8	30-3/8	30-3/8	30-3/8	30-3/8	30-3/8
Depth w/fresh food door open 90° (in.) F	57-3/4	57-3/4	57-3/4	57-3/4	57-3/4	57-3/4
Width (in.) G	31	31	31	31	31	31
Width with door open 90° w/door handle (in.) H	33-1/2	33-5/8	33-1/2	33-5/8	33-5/8	33-5/8
Air clearances Each side (in.)	0	0	0	0	0	0
Top (in.)	1	1	1	1	1	1
Back (in.)	1/2	1/2	1/2	1/2	1/2	1/2
Approx. shipping weight (lbs.)	257	257	257	257	257	262
Power/Ratings	120V, 60Hz, 15Amps					

\*Color(s) available: SS = Stainless steel, WW = White on white, CC = Bisque on bisque, BB = Black on black.

ALL MODELS AVAILABLE IN U.S. AND CANADA.

## Bottom-Freezer Refrigerators



Total volume and shelf area are calculated by the Association of Home Appliance Manufacturers' standards.

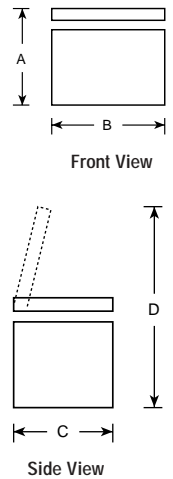


Listed by Underwriters Laboratories

# GE® Chest Freezers

	GE							
	FCM25RM	FCM20DP	FCM15DP	FCM15SP	FCM9DP	FCM7DN	FCM5DM	FCM5SM
<b>Capacity</b>								
Total volume (cu. ft.)	25.1	19.7	14.8	14.8	8.8	7.0	5.0	5.0
<b>Features</b>								
Manual defrost	●	●	●	●	●	●	●	●
Temperature control	Adj.	Adj.	Adj.	Adj.	Adj.	Adj.	Adj.	Adj.
Power "ON" light						●	●	
Wraparound condenser	●	●	●	●	●	●	●	●
Wraparound evaporator	●	●	●	●	●	●	●	●
Limited food loss warranty*	●	●	●	●	●	●		
Upfront defrost water drain	●	●	●	●	●	●	●	●
Interior light	●	●	●		●			
Lock	●	●	●		●	●	●	
Lift-out and sliding bulk storage basket(s)	4	3	2	1	2	2	2	1
<b>Economical/Quiet</b>								
Insulation (cabinet and lid)–Foam	●	●	●	●	●	●	●	●
Cabinet liner	Steel Epoxy-Coated	Steel Epoxy-Coated	Steel Epoxy-Coated	Steel Epoxy-Coated	Steel Epoxy-Coated	Textured Aluminum	Textured Aluminum	Textured Aluminum
<b>Appearance</b>								
Color available	White	White	White	White	White	White	White	White
Handle	●	Recessed	Recessed	Recessed	●	Recessed	Recessed	Recessed
Textured steel case and lid	●	●	●	●	●			
<b>Weights &amp; Dimensions</b>								
Height (in.) A	35	35	35	35	34-1/4	33-1/8	33	33
Width (in.) B	73-7/8	61-1/4	48	48	41	38	29-1/8	29-1/8
Depth (in.) C	28-3/4	29-1/2	29-1/2	29-1/2	23-1/4	22-3/8	22-3/16	22-3/16
Height with lid open (in.) D	59-3/4	60-3/4	60-3/4	60-3/4	54-1/4	53-1/4	53-3/16	53-3/16
Air clearances Each side (in.)	3	3	3	3	3	3	3	3
Back (in.)	3	3	3	3	3	3	3	3
Approx. shipping weight (lbs.)	245	195	161	161	127	126	101	101

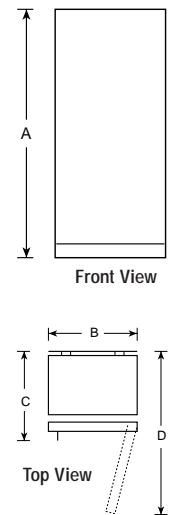
\*See written warranty for complete details.



# GE Upright Freezers

	GE							
	Frost-Free			Manual Defrost				
	FUF20DP	FUF17DP	FUF14DP	FUM21DP	FUM17DP	FUM14DP	FUM14SM	FUM5SN
<b>Capacity</b>								
Total volume (cu. ft.)	20.3	16.7	13.7	20.6	17.1	14.1	14.1	5.0
Shelf area (sq. ft.)	23.9	18.4	14.3	25.3	19.1	17.9	15.0	6.0
<b>Features</b>								
Temperature control	Adj.	Adj.	Adj.	Adj.	Adj.	Adj.	Adj.	Adj.
Limited food loss warranty*	●	●	●	●	●	●	●	●
Door shelves (total)	6	5	5	6	5	5	5	3
Defrost water drain				●	●	●	●	
Interior light	●	●	●	●	●	●		
Lock	●	●	●	●	●	●		
Cabinet shelves (total)	5 (3 Adj.)	4 (3 Adj.)	3 (2 Adj.)	5 (1 Adj.)	4 (1 Adj.)	4 (1 Adj.)	3	2
Slide-out bulk storage basket	1	1	1	1	1	1		
<b>Economical/Quiet</b>								
Defrost	Frost-Free	Frost-Free	Frost-Free	Manual	Manual	Manual	Manual	Manual
Magnetic door gasket	●	●	●	●	●	●	●	●
Cabinet liner	Baked enamel-on-steel	Baked enamel-on-steel	Baked enamel-on-steel	Baked enamel-on-steel	Baked enamel-on-steel	Baked enamel-on-steel	Baked enamel-on-steel	Polystyrene
Wraparound condenser	●	●	●	●	●	●	●	●
<b>Appearance</b>								
Color available	White	White	White	White	White	White	White	White
Door handle	Recessed	Recessed	Recessed	Recessed	Recessed	Recessed	Recessed	Recessed
Textured steel case/door	●	●	●	●	●	●	●	●
<b>Weights &amp; Dimensions</b>								
Height (in.) A	70	64-1/2	59	70	64-1/2	59	59	33-1/2
Width (in.) B	32	32	28	32	32	28	28	21-3/8
Depth (in.) C	28-1/2	26-1/2	28-1/2	28-1/2	26-1/2	28-1/2	28-1/2	26-1/8
Depth with door open 90° (in.) D	59-1/8	57-1/8	55-1/8	59-1/8	57-1/8	55-1/8	55-1/8	45-3/4
Air clearances Each side (in.)	3	3	3	3	3	3	3	1
Top (in.)	3	3	3	3	3	3	3	4
Back (in.)	3	3	3	3	3	3	3	4
Approx. shipping weight (lbs.)	235	213	186	224	200	177	177	80

\*See written warranty for complete details.



# Create a Custom Look for Your GE Refrigerator

Decide from a choice of GE optional Panels and Trim to create a distinctive appearance for your new refrigerator. Precut panels in Stainless steel, Black, White or Bisque provide an exciting way to express your individual taste and preference, while complementing your kitchen.

## GE Profile CustomStyle™ Side-By-Side Refrigerators

Acrylic and Stainless Steel Panels

Model No.	Black Acrylic Panels	White Acrylic Panels	Bisque Acrylic Panels	Stainless Steel Panels
PSI23NCP	PSPK23CBB	PSPK23CWW	PSPK23CCC	–
PSI23MGP	PSPK23DBB	PSPK23DWW	PSPK23DCC	PSPK23DSS
PSI23NGP	PSPK23DBB	PSPK23DWW	PSPK23DCC	PSPK23DSS

Collar Trim

Model No.	Black Collar Trim	White Collar Trim	Bisque Collar Trim	Stainless Steel Collar Trim
PSI23NCP	TRMBISBB	TRMBISWW	TRMBISCC	TRMBISSS
PSI23SCP	TRMBISBB	TRMBISWW	TRMBISCC	TRMBISSS
PSI23MGP	TRMBISBB	TRMBISWW	TRMBISCC	TRMBISSS
PSI23NGP	TRMBISBB	TRMBISWW	TRMBISCC	TRMBISSS
PSI23SGP	TRMBISBB	TRMBISWW	TRMBISCC	TRMBISSS

## GE Profile CustomStyle Top-Freezer No-Frost Refrigerators

Acrylic Panels and Trim

Model No.	Black Acrylic Panels	White Acrylic Panels	Stainless Steel Panels	Black Collar Trim	White Collar Trim	Stainless Steel Trim
PTI22MBP	PTPK22CBB	PTPK22CWW	PTPK22CSS	TRMBISBB	TRMBISWW	TRMBISSS
PTI22MFP	PTPK22DBB	PTPK22DWW	PTPK22DSS	TRMBISBB	TRMBISWW	TRMBISSS

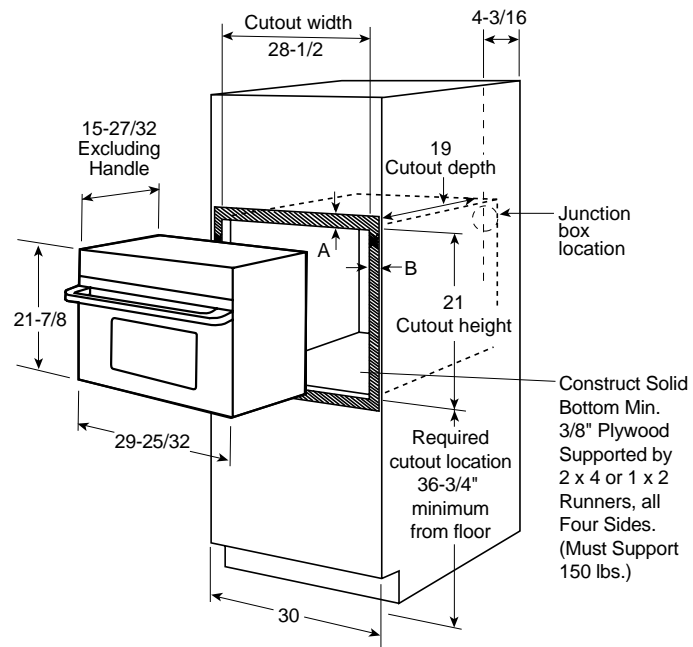


# GE Profile Advantium® Wall Ovens

	GE Profile™
	SCB2001FSS SCB2000FWW SCB2000FCC SCB2000FBB
<b>Features</b>	
Family-size oven	•
Stainless steel oven interior	•
Oven controls	
Electronic scrolling display	•
Over 100 preprogrammed menu items	•
Repeat last	•
Help pad	•
Demo mode	•
Interior oven light	•
Beeper sound level control	•
Variable scroll speed	•
Custom recipe saver	•
Cooking complete reminder	•
Child lockout	•
Frameless glass oven door with window	•
Microwave oven features	
Sensor	•
Defrost - Auto/Time	•
Microwave power output watts	950
<b>Appearance</b>	
	Stainless steel White on white Bisque on bisque Black on black
Color appearance	
New Profile sculptured handle	•
<b>Weights &amp; Dimensions</b>	
Overall oven interior dimensions (in inches)	
Height	8-13/32
Width	18-29/32
Depth	13-19/32
Overall dimensions (in inches)	
Exterior height	21-7/8
Exterior width	29-25/32
Exterior depth (not including handle)	15-27/32
Oven cabinet width required (in inches)	30
Cutout height	21
Cutout width	28-1/2
Cutout depth	19
Approx. shipping weight (lbs.)	101
<b>Power/Ratings</b>	
Amps @ 240V/208V	30
<b>Accessories</b>	
Cookbook	•
Cooking guide	•
Grill tray	•
Cooking tray	•
White ceramic tray	•
<b>Warranty</b>	
Full one-year in-home warranty*	•
Full ten-year lamp warranty*	•
Limited nine-year magnetron warranty*	•

\*See written warranty for details.

## Advantium Wall Oven Dimensions and Cabinet Installation (in inches)



A=Allow 1" overlap of oven over top and bottom edges of cutout.  
B=Allow 11/16"-3/4" for overlap of oven over side edges of cutout.

**Note:** Cabinets installed adjacent to wall ovens must have an adhesion spec of at least 194°F temperature rating.

**Most 30" Wall Cabinets can be used with this unit.**

**Note:** 2" minimum between cutouts when installed above warming drawer or single wall oven.

**Wall oven trim kits**  
SC20WW-White  
SC20CC-Bisque  
SC20BB-Black

# GE Profile Advantium Above-the-Cooktop Ovens

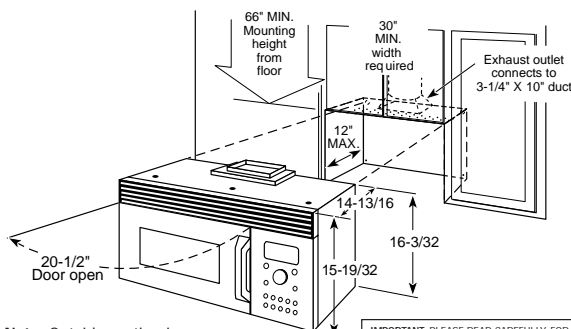
# GE Profile Advantium 120 Above-the-Cooktop Ovens

	GE Profile
	SCA2001FSS SCA2000FWW SCA2000FCC SCA2000FBB
<b>Features</b>	
Family size oven	●
Stainless steel oven interior	●
Oven controls	
Electronic scrolling display	●
Over 100 preprogrammed menu items	●
Repeat last	●
Help pad	●
Demo mode	●
Interior oven light	●
Beeper sound level control	●
Variable scroll speed	●
Custom recipe saver	●
Cooking complete reminder	●
Child lockout	●
Two-speed high-capacity exhaust fan	●
Full-view cooktop lighting	●
Programmable night light	●
Frameless glass oven door with window	●
Microwave oven features	
Sensor	●
Defrost - Auto/Time	●
Microwave power output watts	950
<b>Appearance</b>	
Color appearance	Stainless steel White on white Bisque on bisque Black on black
New Profile sculptured handle	●
<b>Weights &amp; Dimensions</b>	
Overall oven interior dimensions (in inches)	
Height	8-13/32
Width	18-29/32
Depth	13-19/32
Overall dimensions (in inches)	
Exterior height (front)	15-19/32
Exterior height (rear)	16-3/32
Exterior width	29-7/8
Exterior depth (not including handle)	14-13/16
Approx. shipping weight (lbs.)	101
<b>Power/Ratings</b>	
Amps @ 240V/208V	30
<b>Accessories</b>	
Cookbook	●
Cooking guide	●
Grill tray	●
Cooking tray	●
White ceramic tray	●
Recirculating charcoal filter kit (optional)	JX81A
<b>Warranty</b>	
Full one-year in-home warranty*	●
Full ten-year lamp warranty*	●
Limited nine-year magnetron warranty*	●

Filler panel kits  
JX40WH-White  
JX41-Black

\*See written warranty for details.

## Advantium Above-the-Cooktop Oven Dimensions (in inches)



Note: Outside venting is optional. Vent (duct) can be horizontal or vertical.

**IMPORTANT: PLEASE READ CAREFULLY. FOR PERSONAL SAFETY, THIS APPLIANCE MUST BE PROPERLY GROUNDED TO AVOID SEVERE OR FATAL SHOCK.**

DO NOT, UNDER ANY CIRCUMSTANCES, CUT, DEFORM, OR REMOVE ANY OF THE PRONGS FROM THE POWER CORD. DO NOT USE WITH AN EXTENSION CORD.

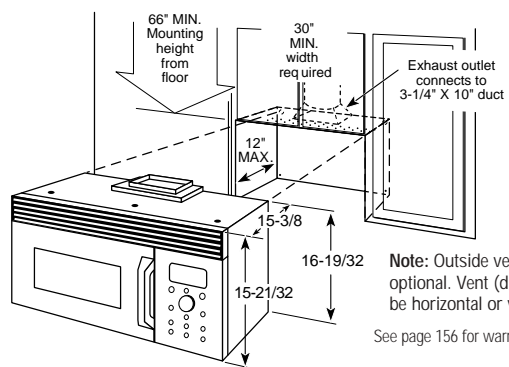
Ensure proper ground exists before use.

NEMA 14-30R Wall Receptacle

	GE Profile
	SCA1001HSS SCA1000HWW SCA1000HCC SCA1000HBB
<b>Features</b>	
Family size oven	●
Stainless steel oven interior	●
Cooking modes	
Speedcook	●
Traditional oven	●
Microwave oven	●
Warming	●
E-Z installation	●
Oven controls	
Electronic scrolling display	●
Over 100 preprogrammed menu items	●
Repeat last	●
Help pad	●
Demo mode	●
Interior oven light	●
Beeper sound level control	●
Variable scroll speed	●
Custom recipe saver	●
Cooking complete reminder	●
Child lockout	●
Two-speed high-capacity exhaust fan	●
Intake air/grease filter	●
Full-view cooktop lighting	●
Programmable night light	●
Frameless glass oven door with window	●
Microwave oven features	
Sensor	●
Defrost - Auto/Time	●
Microwave power output watts	900
<b>Appearance</b>	
Color appearance	Stainless steel White on white Bisque on bisque Black on black
<b>Weights &amp; Dimensions</b>	
Overall oven interior dimensions (in inches)	
Height	8-7/32
Width	21-3/32
Depth	14-3/32
Overall dimensions (in inches)	
Exterior height (front)	15-21/32
Exterior height (rear)	16-19/32
Exterior width	29-7/8
Exterior depth (not including handle)	15-3/8
Approx. shipping weight (lbs.)	95
<b>Power/Ratings</b>	
Input volt/hertz	120/60
Input amps/watts (max)	15/1800
<b>Accessories</b>	
Cookbook	●
Cooking guide	●
Cooking tray	●
Recirculating charcoal filter kit (optional)	JX81A
<b>Warranty</b>	
Full one-year in-home warranty*	●
Full three-year lamp warranty*	●
Limited ten-year magnetron warranty*	●

\*See written warranty for details.

## Advantium 120 Above-the-Cooktop Oven Dimensions (in inches)



Note: Outside venting is optional. Vent (duct) can be horizontal or vertical.

See page 156 for warranty information.

# GE Profile™ 30" Built-In Double and Single Ovens with Trivection™ Technology

# GE Profile 30" Slide-in Electric Range with Trivection Technology

	GE Profile™	
	JT980SH JT980WH JT980CH JT980BH	
<b>Features</b>		
Oven	Upper Lower	Trivection™/Convection Convection
Oven capacity (cu. ft.)		4.3 Upper/4.1 Lower
Trivection™ technology		●
Speed baking mode		Upper
Speed broiling mode		Upper
Precise Air™ Convection System		●
Multi-rack convection bake		●
Single-rack convection bake		●
Convection roast		●
Auto Recipe™ Conversion		●
Self-clean oven w/Delay Clean option		●
Automatic self-clean oven door lock		●
Light self-clean option		●
TrueTemp™ System		●
Variable broil/Six-pass broil element		●
Dual bake element		●
Chef's Guide™ controls		Glass touch
Programmable recipe recall		●
Proof mode		●
Warm mode		●
Defrost mode		●
Help mode		●
Optional closed door broiling		●
Temperature display		●
Delay Bake Option		●
C° and F° programmable		●
Audible preheat signal		●
Auto oven shut-off w/override		●
Electronic clock and kitchen timer		●
Control lock capability		●
Oven lights		2 Halogen
Certified Sabbath Mode		●
Oven racks	Upper Lower	3 Heavy-duty 3 Heavy-duty
Embossed rack positions		5 Upper/7 Lower
Roasting rack		●
Extra-large broiler pan with grid		●
<b>Appearance</b>		
Color appearance*		SS WW CC BB
Frameless oven doors		Stainless Steel White Glass Bisque Glass Black Glass
Big View window		●
Sculptured handles		Stainless look White Bisque Black
Trivection cookbook		●
<b>Weights &amp; Dimensions</b>		
Approx. shipping wt. (lbs.)		322
Oven cabinet width required (in.)		30
Overall dimensions (WxHxD in inches)		29-3/4 x 52-7/8 x 23-1/2
Overall oven interior dimensions (WxHxD in inches)	Upper Lower	24 x 17-1/2 x 17-1/2 24 x 16-1/4 x 18-1/4
<b>Power/Ratings</b>		
KW rating @ 240V		8.9
208V		6.7
Amps @ 240V		40
208V		40
Convection wattage		2500
Broiler/bake wattage		2500/2500

\*SS = Stainless steel, WW = White on white, CC = Bisque on bisque, BB = Black on black.

	GE Profile	
	JT930SH JT930WH JT930CH JT930BH	
<b>Features</b>		
Oven		Trivection™/Convection
Oven capacity		4.3 cu. ft.
Trivection™ technology		●
Speed baking mode		●
Speed broiling mode		●
Precise Air™ Convection System		●
Multi-rack convection bake		●
Single-rack convection bake		●
Convection roast		●
Auto Recipe™ Conversion		●
Self-clean oven w/Delay Clean option		●
Automatic self-clean oven door lock		●
Light self-clean option		●
TrueTemp™ System		●
Variable broil/Six-pass broil element		●
Dual bake element		●
Chef's Guide controls		Glass touch
Programmable recipe recall		●
Proof mode		●
Warm mode		●
Defrost mode		●
Help mode		●
Optional closed door broiling		●
Temperature display		●
Delay Bake Option		●
C° and F° programmable		●
Audible preheat signal		●
Auto oven shut-off w/override		●
Electronic clock and kitchen timer		●
Control lock capability		●
Oven lights		2 Halogen
Certified Sabbath Mode		●
Oven racks		3 Heavy-duty
Embossed rack positions		5
Roasting rack		●
Extra-large broiler pan with grid		●
Trivection cookbook		●
<b>Appearance</b>		
Color appearance*		SS WW CC BB
Frameless oven doors		Stainless steel White Glass Bisque Glass Black Glass
Big View window		●
Sculptured handle		Stainless look White Bisque Black
Undercounter installation		●
<b>Weights &amp; Dimensions</b>		
Approx. shipping wt. (lbs.)		195
Oven cabinet width required (in.)		30
Overall dimensions (WxHxD in inches)		29-3/4 x 28-1/4 x 23-1/2
Overall oven interior dimensions (WxHxD in inches)		24 x 17-1/2 x 17-1/2
<b>Power/Ratings</b>		
KW rating @ 240V		5.9
208V		4.4
Amps @ 240V		30
208V		30
Convection wattage		2500
Broiler/bake wattage		2500/2500

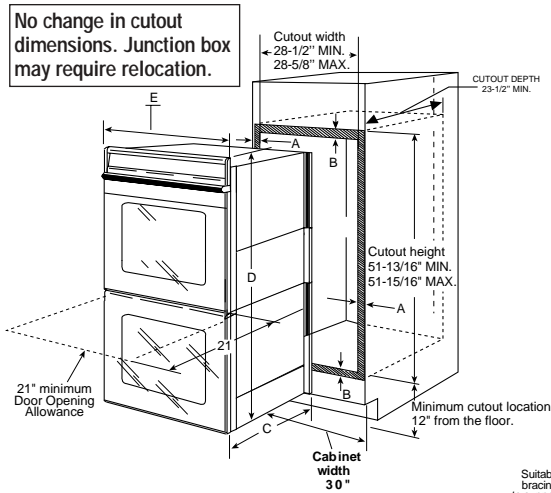
\*SS = Stainless steel, WW = White on white, CC = Bisque on bisque, BB = Black on black.

	GE Profile	
	JS998SH JS998TH JS998KH JS998BH	
<b>Features</b>		
Oven		Trivection™/Convection
Oven capacity		4.3 cu. ft.
Trivection™ technology		●
Speed baking mode		●
Speed broiling mode		●
Precise Air™ Convection System		●
Multi-rack convection bake		●
Single rack convection bake		●
Convection roast		●
Auto Recipe™ Conversion		●
Self-clean oven w/Delay clean option		●
Light self-clean option		●
Automatic self-clean oven door lock		●
Oven racks		3 Heavy-Duty
TrueTemp™ system		●
Variable broil/Six-pass broil element		●
Dual bake element		●
Ceramic-glass cooktop		Patterned Black True White True Bisque Patterned Black
Overhanging cooktop		●
Dual 6 7/8" heating element		1 Ribbon (2500W)
8" heating elements		1 Ribbon (2000)
6" heating elements		2 Ribbon (1500W)
Infinite heat controls		●
Chef's Guide controls		Glass touch
Programmable recipe recall		●
Proof mode		●
Warm mode		●
Defrost mode		●
Help mode		●
Optional closed door broiling		●
Temperature display		●
Delay Bake option w/Cook & Hold		●
C° or F° programmable		●
Audible preheat signal		●
Auto oven shut-off w/override		●
Control lock capability		●
Electronic clock/kitchen timer		●
Hot surface indicator lights		4
Heating element "ON" indicator light		●
Certified Sabbath mode		●
Interior oven lights		2 Halogen
Storage drawer		Stainless White Bisque Black
Extra-large broiler pan with grid		●
Roasting rack		●
Trivection cookbook		●
<b>Appearance</b>		
Color appearance*		SS WW CC BB
Frameless glass oven door		Stainless steel White Bisque Black
Big View window		●
Sculptured handle		Stainless look White Bisque Black
<b>Weights &amp; Dimensions</b>		
Overall oven interior dimensions (WxHxD in inches)		24 x 17-1/2 x 17-1/2
Approx. shipping weight (lbs.)		252
<b>Power/Ratings</b>		
KW rating @ 240V		12.8
208V		9.6
Amps @ 240V		40
208V		40
Convection Wattage		2500
Broiler/Bake Wattage		2500/2500

\*SS = Stainless steel, WW = White on white, CC = Bisque on bisque, BB = Black on black.

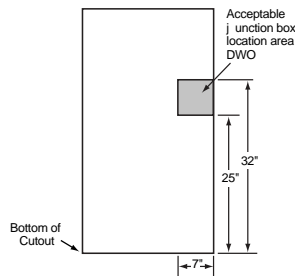


**30" Built-In Double Oven Dimensions (in inches)**  
Model JT980



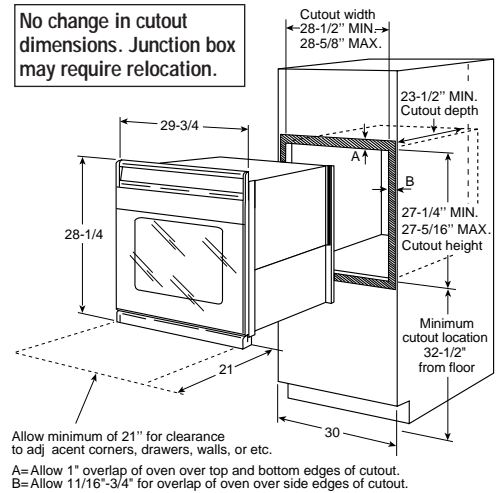
MOST 30" WALL CABINETS CAN BE USED WITH THIS UNIT. THE OPENING BETWEEN THE INSIDE WALLS MUST BE AT LEAST 28-1/2" WIDE.

Cabinet	30"
A - Overlap of Oven Over Side Edges of Cutout	11/16" - 3/4"
B - Overlap of Oven at Top and Bottom of Cutout	1"
Oven	
C - Overall Depth	23-1/2"
D - Overall Height	52-7/8"
E - Overall Width	29-3/4"



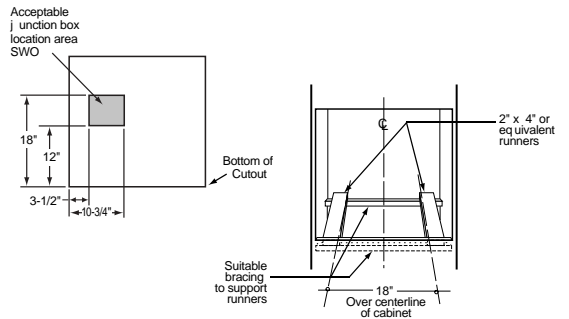
(Must support 275 LBS.)

**30" Built-In Single Oven Dimensions (in inches)**  
Model JT930



Allow minimum of 21" for clearance to adjacent corners, drawers, walls, or etc.

A= Allow 1" overlap of oven over top and bottom edges of cutout.  
B= Allow 11/16"-3/4" for overlap of oven over side edges of cutout.



(Must support 200 LBS.)

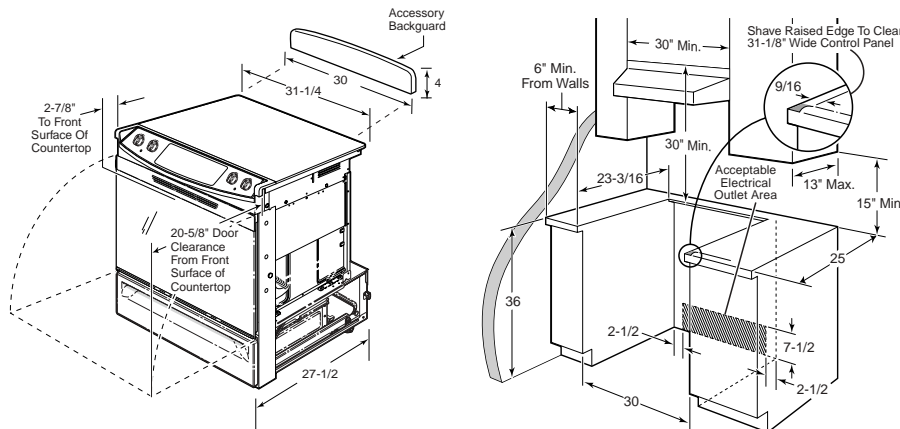
Electric wall ovens are not approved for installation with a plug and receptacle. They must be hard wired in accordance with installation instructions.

Note: These ovens are *not* approved for stackable or side-by-side installations.

**Installation Information:** Before installing, consult installation instructions packed with product for current dimensional data or download from GEAppliances.com.  
**Note:** Cabinets installed adjacent to wall ovens must have an adhesion spec of at least 194° F temperature rating.

Most 30" Wall Cabinets can be used with this unit. The opening between the inside walls must be at least 28-1/2" wide.

**30" Slide-In Range Dimensions (in inches)**  
Model JS998



**Accessory Backguards (Shown above)**  
(Attaches to the back of range as a backguard when unit is installed in 30" free-standing cutout)  
JXS37WW—White, JXS37CC—Bisque, JXS37BB—Black/Stainless

**Note:** Cabinets installed adjacent to slide-in electric ranges must have an adhesion spec of at least a 194°F temperature rating.  
**Note:** All 30" Slide-In Ranges conform to U.L. requirements for 0" spacing from range to adjacent walls below countertop. To reduce possibility of scorching the side walls above the countertop when no load is present on burners, it is recommended that a minimum 6" spacing from adjacent side wall be allowed for possible extended high-heat element operation.

**Receptacle Locations:** For all 30" Slide-in Ranges locally approved flexible service cord or conduit must be used because terminals are not accessible after range installation. See shaded area in drawing for location of electrical outlet box. Recommended outlet locations allow range to be installed directly against rear wall.

**Installation Information:** Before installing, consult installation instructions packed with product for current dimensional data.



All GE ranges are equipped with an Anti-Tip device. The installation of this device is an important, required step in the installation of the range.



# 30" Built-In Double Ovens

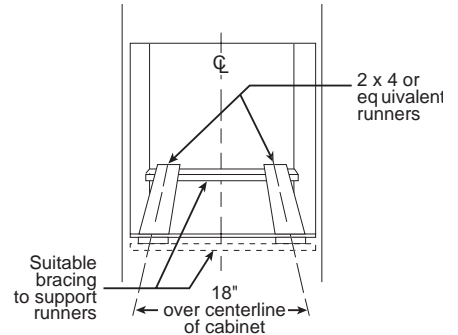
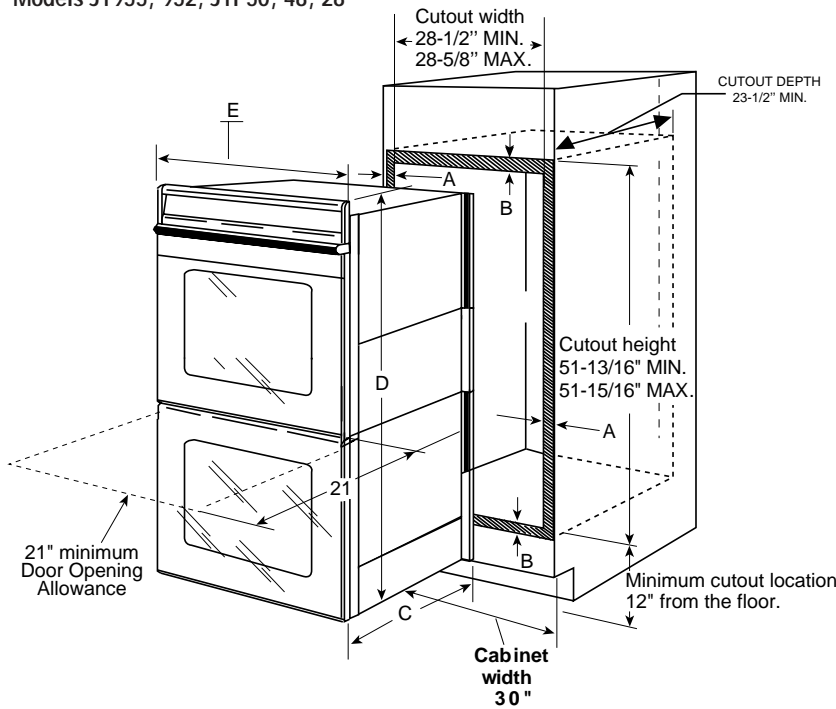
		GE Profile™		GE®			GE Profile	GE
		Convection Double Ovens		Double Ovens			Microwave Double Ovens	
		JT955SF JT955WF JT955CF JT955BF	JT952SF JT952WF JT952CF JT952BF	JTP50SH	JTP48SF JTP48WF JTP48CF JTP48BF	JTP28SF JTP28WF JTP28CF JTP28BF	JT965SF JT965WF JT965CF JT965BF	JTP86SH JTP86WF JTP86CF JTP86BF
Features								
	Upper	Convection/Self-Clean	Convection/Self-Clean	Self-Clean	Self-Clean	Self-Clean	Microwave	Microwave
Oven	Lower	Thermal/Self-Clean	Thermal/Self-Clean	Self-Clean	Self-Clean	Standard	Convection/Self-Clean	Self-Clean
Cleaning time		Variable	Variable	Variable	Variable	Variable (upper)	Variable (lower)	Variable (lower)
Automatic self-clean oven door lock		●	●	●	●	Upper	Lower	Lower
Self-clean oven w/Delay Clean option		●	●	●	●	Upper	Lower	Lower
Light self-clean option		●	●	●	●	Upper		
TrueTemp™ System		●	●	●	●	Upper	Lower	Lower
CleanDesign oven interior/hidden bake		●	●				Lower	
Variable broil/Six-pass broil element		●	●	●	●	●	Lower	Lower
Eight-pass bake element		●	●				Lower	
Precise Air™ Convection System		Upper	Upper					
Convection bake		Multi/Single-rack Upper	Upper				Lower	
Convection roast		Upper	Upper				Lower	
Auto Recipe™ Conversion		Upper	Upper					
SmartSet controls		Glass Touch	●	●	●	Upper	●	●
Proof Mode		Upper						
Oven meat probe		Upper	Upper				Lower	
Warm Mode		Upper						
Optional closed door broiling		●	●	●	●	●	Lower	Lower
Temperature display		●	●	●	●	Upper	Lower	Lower
Delay Bake Option		●	●	●	●	Upper	Lower	Lower
C° and F° programmable		●	●	●	●	Upper	Lower	Lower
Audible preheat signal		●	●	●	●	Upper	Lower	Lower
Auto oven shut-off w/override		●	●	●	●	Upper	Lower	Lower
Electronic clock and kitchen timer		●	●	●	●	Upper	Lower	●
Control lock capability		●	●	●	●	Upper	Lower	Lower
Oven light		Halogen	●	●	●	●	Halogen (lower)	Lower
Certified Sabbath Mode		●	●	●	●	Upper		
Microwave Oven Features:								
Microwave cooking timer							99-Min./99-Sec.	99-Min./99-Sec.
Microwave power levels							10	10
Sensor functions							6	3
Electronic MWO touch controls							●	●
Microwave oven cavity (cu. ft.)							1.6	1.6
MWO power output watts							1000	1000
Turntable							●	●
Oven racks	Upper	3 Heavy-duty	3 Heavy-duty	2	2	2		
	Lower	2 Heavy-duty	2 Heavy-duty	2	2	2	3 Heavy-duty	2
Embossed rack positions		7 Upper/6 Lower	7 Upper/6 Lower	6 Upper/6 Lower	6 Upper/6 Lower	6 Upper/6 Lower	7 Lower	6 Lower
Roasting rack		Upper					Lower	
Broiler pan with grid		Upper	Upper	Upper	Upper	Upper	Lower	Lower
Appearance								
Color appearance*		SS WW CC BB	SS WW CC BB	SS	SS WW CC BB	SS WW CC BB	SS WW CC BB	SS WW CC BB
Frameless oven doors		Stainless Steel White Glass Bisque Glass Black Glass	Stainless Steel White Glass Bisque Glass Black Glass	Stainless Steel	Stainless Steel White Glass Bisque Glass Black Glass	Stainless Steel White Glass Bisque Glass Black Glass	Stainless Steel White Glass Bisque Glass Black Glass	Stainless Steel White Glass Bisque Glass Black Glass
Big ClearView™ windows		●	●	●	●	●	Lower	Lower
Oven door handles		Sculptured Stainless-look Sculptured White Sculptured Bisque Sculptured Black	Sculptured Stainless-look Sculptured White Sculptured Bisque Sculptured Black	Stainless-look	Black White Bisque Black	Black White Bisque Black	Sculptured Stainless-look Sculptured White Sculptured Bisque Sculptured Black	Stainless-look White Bisque Black
Flush appearance installation		●	●	●	●	●	●	●
Convection cookbook		●	●				●	
Weights & Dimensions								
Approx. shipping wt. (lbs.)		260	260	260	260	260	177	177
Oven cabinet width required (in.)		30	30	30	30	30	30	30
Overall dimensions (WxHxD in inches)		29-3/4 x 52-7/8 x 23-1/2	29-3/4 x 52-7/8 x 23-1/2	29-3/4 x 52-7/8 x 23-1/2	29-3/4 x 52-7/8 x 23-1/2	29-3/4 x 52-7/8 x 23-1/2	29-3/4 x 43-1/4 x 23-1/2	29-3/4 x 43-1/4 x 23-1/2
Overall oven								
Interior dimensions	Upper	24 x 16-1/4 x 18-1/4	24 x 16-1/4 x 18-1/4	24 x 17-1/2 x 18-1/4	24 x 17-1/2 x 18-1/4	24 x 17-1/2 x 18-1/4	16-1/4 x 9-5/8 x 15-3/4	16-1/4 x 9-5/8 x 15-3/4
(WxHxD in inches)	Lower	24 x 16-1/4 x 18-1/4	24 x 16-1/4 x 18-1/4	24 x 17-1/2 x 18-1/4	24 x 17-1/2 x 18-1/4	24 x 17-1/2 x 18-1/4	24 x 16-1/4 x 18-1/4	24 x 17-1/2 x 18-1/4
Power/Ratings								
KW rating @ 240V		7.2	7.2	7.2	7.2	8.8	6.6	6.6
	208V	5.4	5.4	5.4	5.4	6.6	5.3	5.3
Amps @ 240V		40	40	40	40	40	30	30
	208V	30	30	30	30	30	30	30
Convection wattage		2500	2500				2500	
Broiler/bake wattage		3600/2700	3600/2700	3600/3410	3600/3410	3600/3410	3600/2700	3600/3410

\*SS = Stainless steel, WW = White on white, CC = Bisque on bisque, BB = Black on black.



# 30" Built-In Double Ovens (continued)

30" Built-In Double Oven Dimensions (in inches)  
 Models JT955, 952, JTP50, 48, 28



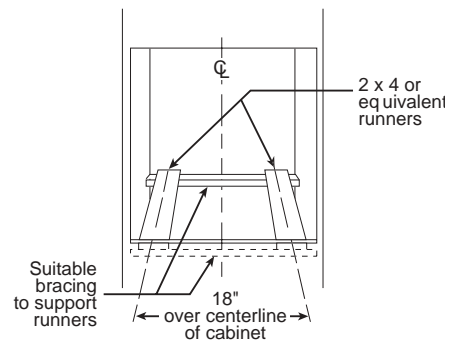
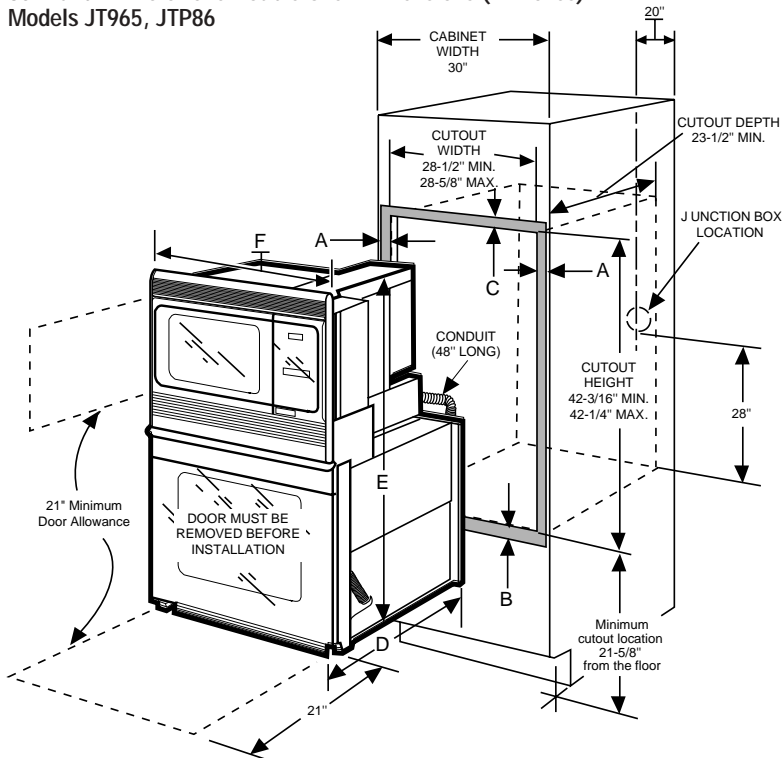
(Must support 275 lbs.)

Cabinet	
A – Overlap of Oven Over Side Edges of Cutout	30"
B – Overlap of Oven at Top and Bottom of Cutout	1"
Oven	
C – Overall Depth	23-1/2"
D – Overall Height	52-7/8"
E – Overall Width	29-3/4"

Note: Cabinets installed adjacent to wall ovens must have an adhesion spec of at least a 194°F temperature rating.

MOST 30" WALL CABINETS CAN BE USED WITH THIS UNIT.  
 THE OPENING BETWEEN THE INSIDE WALLS MUST BE AT LEAST 28-1/2" WIDE.

30" Built-In Microwave Double Oven Dimensions (in inches)  
 Models JT965, JTP86



(Must support 275 lbs.)

Cabinet	
A – Overlap of Oven Over Side Edges of Cutout	30"
B – Overlap of Oven at Bottom of Cutout	1"
C – Overlap of Oven at Top of Cutout	1/2"
Oven	
D – Overall Depth	23-1/2"
E – Overall Height	43-1/2"
F – Overall Width	29-3/4"

Note: Cabinets installed adjacent to wall ovens must have an adhesion spec of at least a 194°F temperature rating.

MOST 30" WALL CABINETS CAN BE USED WITH THIS UNIT.  
 THE OPENING BETWEEN THE INSIDE WALLS MUST BE AT LEAST 28-1/2" WIDE.

Electric wall ovens are not approved for installation with a plug and receptacle. They must be hard wired in accordance with installation instructions.

Installation Information: Before installing, consult installation instructions packed with product for current dimensional data.

See page 156 for warranty information.

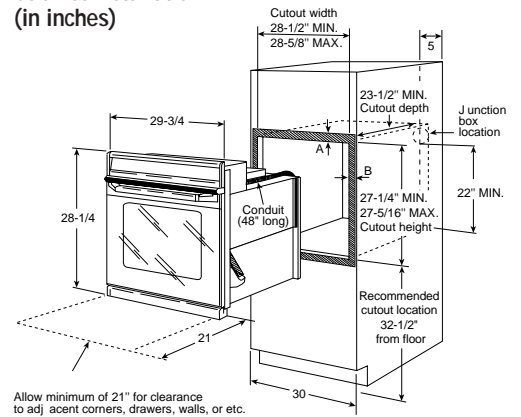


# 30" Built-In Single Ovens

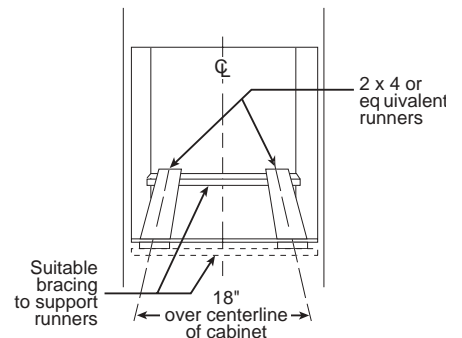
Features	GE Profile™		GE®	
	Convection Single Ovens		Single Ovens	
	JT915SF JT915WF JT915CF JT915BF	JT912SF JT912WF JT912CF JT912BF	JTP25SH	JTP20SF JTP20WF JTP20CF JTP20BF
Oven	Convection/Self-Clean	Convection/Self-Clean	Self-Clean	Self-Clean
Cleaning time	Variable	Variable	Variable	Variable
Automatic self-clean oven door lock	●	●	●	●
Self-clean oven w/Delay Clean option	●	●	●	●
Light self-clean option	●	●	●	●
TrueTemp™ System	●	●	●	●
CleanDesign oven interior/hidden bake	●	●	●	●
Variable broil/Six-pass broil element	●	●	●	●
Eight-pass bake element	●	●	●	●
Precise Air™ Convection System	●	●	●	●
Convection bake	Multi/Single-rack	●	●	●
Convection roast	●	●	●	●
Auto Recipe™ Conversion	●	●	●	●
SmartSet controls	Glass touch	●	●	●
Proof Mode	●	●	●	●
Warm Mode	●	●	●	●
Oven meat probe	●	●	●	●
Optional closed door broiling	●	●	●	●
Temperature display	●	●	●	●
Delay Bake Option	●	●	●	●
C° and F° programmable	●	●	●	●
Audible preheat signal	●	●	●	●
Auto oven shut-off w/override	●	●	●	●
Electronic clock and kitchen timer	●	●	●	●
Control lock capability	●	●	●	●
Oven light	Halogen	●	●	●
Certified Sabbath Mode	●	●	●	●
Oven racks	3 Heavy-duty	3 Heavy-duty	2	2
Embossed rack positions	7	7	6	6
Roasting rack	●	●	●	●
Broiler pan with grid	●	●	●	●
Convection cookbook	●	●	●	●
<b>Appearance</b>				
Color appearance*	SS WW CC BB	SS WW CC BB	SS	SS WW CC BB
Frameless oven doors	Stainless steel White Glass Bisque Glass Black Glass	Stainless steel White Glass Bisque Glass Black Glass	Stainless Steel	Stainless steel White Glass Bisque Glass Black Glass
Big ClearView™ window	●	●	●	●
Oven door handle	Sculptured Stainless-look Sculptured White Sculptured Bisque Sculptured Black	Sculptured Stainless-look Sculptured White Sculptured Bisque Sculptured Black	Stainless-Look	Black White Bisque Black
Flush appearance installation	●	●	●	●
Undercounter installation	●	●	●	●
<b>Weights &amp; Dimensions</b>				
Approx. shipping wt. (lbs.)	135	135	130	130
Oven cabinet width required (in.)	30	30	30	30
Overall dimensions (WxHxD in inches)	29-3/4 x 28-1/4 x 23-1/2	29-3/4 x 28-1/4 x 23-1/2	29-3/4 x 28-1/4 x 23-1/2	29-3/4 x 28-1/4 x 23-1/2
Overall oven Interior dimensions (WxHxD in inches)	24 x 16-1/4 x 18-1/4	24 x 16-1/4 x 18-1/4	24 x 17-1/2 x 18-1/4	24 x 17-1/2 x 18-1/4
<b>Power/Ratings</b>				
KW rating @ 240V	3.6	3.6	3.6	3.6
208V	2.7	2.7	2.7	2.7
Amps @ 240V	20	20	20	20
208V	20	20	20	20
Convection wattage	2500	2500		
Broiler/bake wattage	3600/2700	3600/2700	3600/3410	3600/3410

\*SS = Stainless steel, WW = White on white, CC = Bisque on bisque, BB = Black on black.

## 30" Built-In Single Oven Dimensions (in inches) Single Oven Wall-Mount or Cabinet Installation (in inches)



Allow minimum of 21" for clearance to adjacent corners, drawers, walls, or etc.  
A=Allow 1" overlap of oven over top and bottom edges of cutout.  
B=Allow 11/16"-3/4" for overlap of oven over side edges of cutout.



(Must support 275 lbs.)

Most 30" Wall Cabinets can be used with this unit.

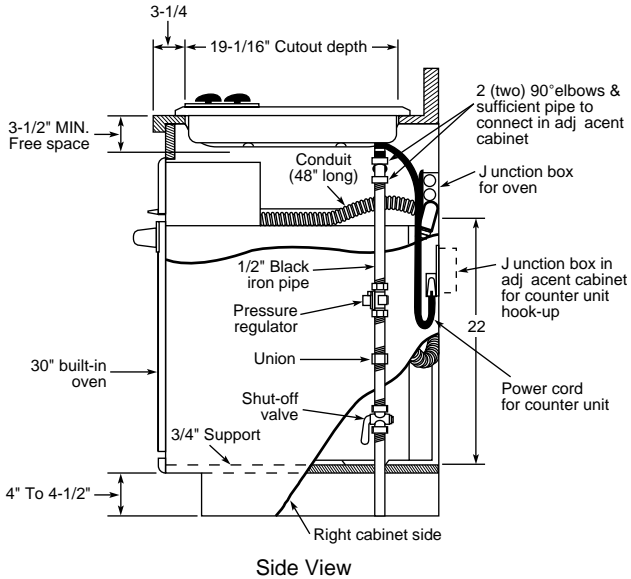
Note: These ovens are *not* approved for stackable or side-by-side installations.

Note: Cabinets installed adjacent to wall ovens must have an adhesion spec of at least a 194°F temperature rating.



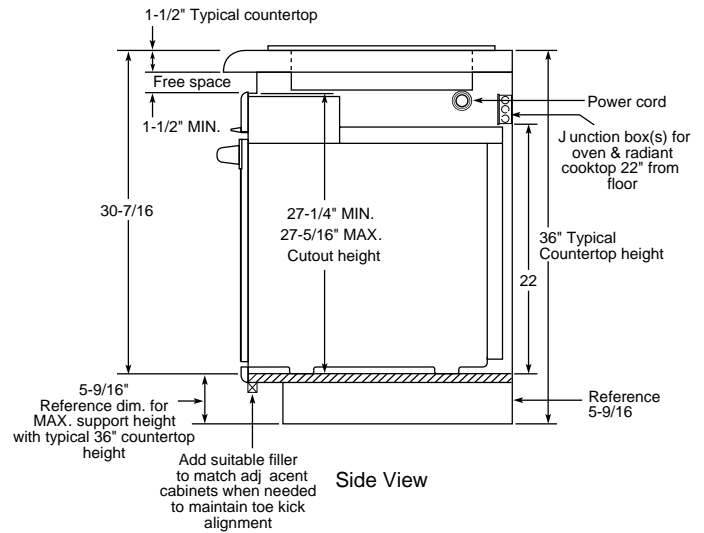
# 30" Built-In Single Ovens (continued)

## Optional Undercounter Installation With 36" Gas Cooktop (in inches)



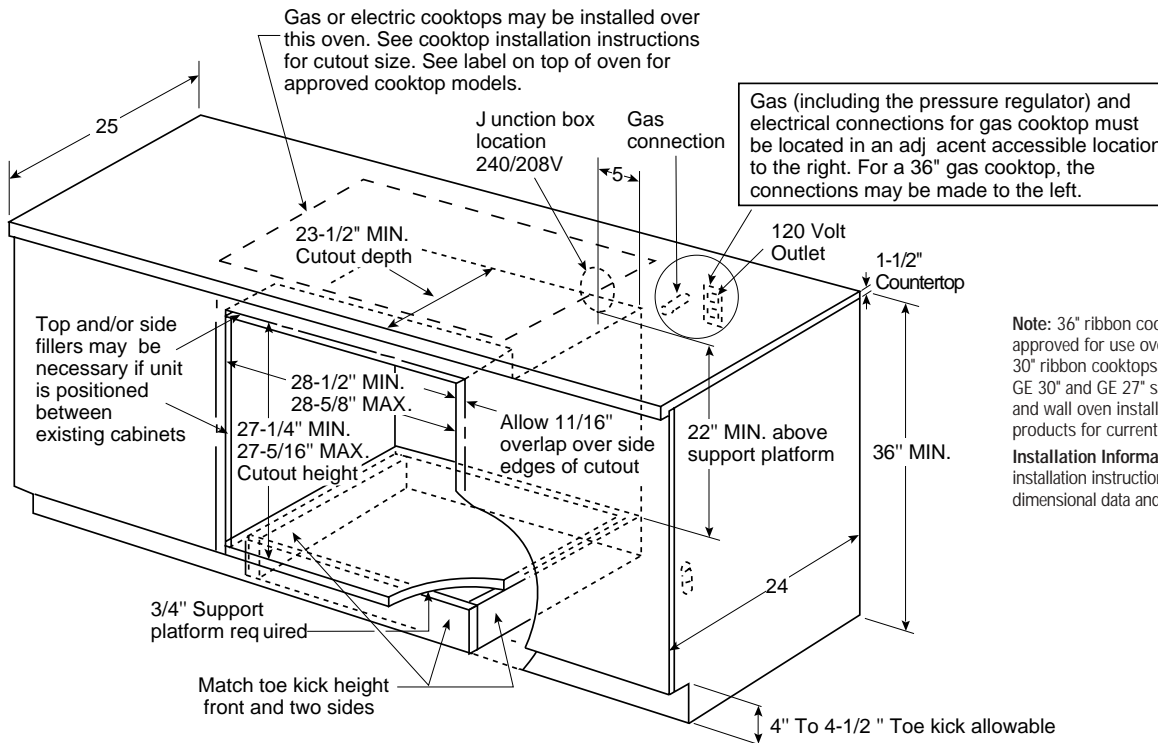
**Note:** For standard or sealed burner cooktop installation information over the 30" wall oven, refer to 27" wall oven installation, page 189.

## Optional Undercounter Installation With 30" CleanDesign or Sealed Burner Gas Cooktop (in inches)



This installation is to achieve minimum gap between bottom of countertop and control panel.  
**Note:** For this installation, the bottom trim **will not** be flush with a typical 4" toe kick.  
**Note:** Cabinets installed adjacent to wall ovens must have an adhesion spec of at least a 194°F temperature rating.

## Undercounter Installation (in inches)



Gas (including the pressure regulator) and electrical connections for gas cooktop must be located in an adjacent accessible location to the right. For a 36" gas cooktop, the connections may be made to the left.

**Note:** 36" ribbon cooktops (excluding JP960) are approved for use over GE 30" single wall ovens only. 30" ribbon cooktops are approved for use over GE 30" and GE 27" single wall ovens. Refer to cooktop and wall oven installation information packed with products for current dimensional data.  
**Installation Information:** Before installing, consult installation instructions packed with product for current dimensional data and for alternate installation options.

Electric wall ovens are not approved for installation with a plug and receptacle. They must be hard wired in accordance with installation instructions.

**Installation Information:** Before installing, consult installation instructions packed with product for current dimensional data.

See page 156 for warranty information.

# 27" and 24" Built-In Double Ovens

		GE Profile™	GE®					
		27" Convection Double Ovens	27" Double Ovens			27" Microwave Double Ovens	24" Double Oven	
		JK955SF JK955WF JK955CF JK955BF	JKP50SH	JKP48WF JKP48CF JKP48BF	JKP28WF JKP28BF	JKP86SH JKP86WF JKP86CF JKP86BF	JRP24BD	
Features								
Oven	Upper	Convection/Self-Clean	Self-Clean	Self-Clean	Self-Clean	Microwave	Self-Clean	
	Lower	Thermal/Self-Clean	Self-Clean	Self-Clean	Standard	Self-Clean	Standard	
Cleaning time		Variable	Variable	Variable	Variable (upper)	Variable (Lower)	Variable (upper)	
Automatic self-clean oven door lock		●	●	●	Upper	Lower	Upper	
Self-clean oven w/Delay Clean option		●	●	●	Upper	Lower	Upper	
Light self-clean option		●	●	●	Upper			
TrueTemp™ System		●	●	●	Upper	Lower		
CleanDesign oven interior/hidden bake		●						
Variable broil		●	●	●	●	Lower	Upper	
Precise Air™ Convection System		Upper						
Multi-rack convection bake		Upper						
Single-rack convection bake		Upper						
Convection roast		Upper						
Auto Recipe™ Conversion		Upper						
SmartSet Controls		Glass touch	●	●	Upper	Lower	Upper	
Proof Mode		Upper						
Warm Mode		Upper						
Oven meat probe		Upper						
Optional closed door broiling		●	●	●	●	Lower		
Temperature display		●	●	●	Upper	●	Upper	
Delay Bake Option		●	●	●	Upper	Lower	Upper	
C° and F° programmable		●	●	●	Upper	Lower	Upper	
Audible preheat signal		●	●	●	Upper	Lower	●	
Auto oven shut-off w/override		●	●	●	Upper	Lower	Upper	
Electronic clock and kitchen timer		●	●	●	●	●	●	
Control lock capability		●	●	●	Upper	Lower	Upper	
Oven light		Halogen	●	●	●	Lower	●	
Certified Sabbath Mode		●	●	●	Upper			
Microwave Oven Features:								
Microwave cooking timer						99-Min./99-Sec.		
Microwave power levels						10		
Sensor functions						3		
Electronic MWO touch controls						●		
Microwave oven cavity (cu. ft.)						1.6		
MWO power output watts						1000		
Turntable						●		
Oven racks	Upper	3 Heavy-duty	2	2	2		2	
	Lower	2 Heavy-duty	2	2	2	2	2	
Embossed rack positions		4 Upper/4 Lower	4 Upper/4 Lower	4 Upper/4 Lower	4 Upper/4 Lower	4 Lower	2 Upper/2 Lower	
Roasting rack		Upper						
Broiler pan with grid		Upper	Upper	Upper	Upper	Lower	●	
Convection cookbook		●						
Appearance								
Color appearance*		SS WW CC BB	SS	WW CC BB	WW BB	SS WW CC BB	BB	
		Stainless steel White Glass Bisque Glass Black Glass	Stainless Steel	White Glass Bisque Glass Black Glass	White Glass Black Glass	Stainless Steel White Glass Bisque Glass Black Glass	Black Glass	
Frameless oven doors		●	●	●	●	Lower	●	
Big ClearView™ windows		●	●	●	●	●	●	
Oven door handles		Sculptured Stainless-look Sculptured White Sculptured Bisque Sculptured Black	Stainless-Look	White Bisque Black	White Black	Stainless-Look White Bisque Black	Black	
	Flush appearance installation		●	●	●	●		
Weights & Dimensions								
Approx. shipping wt. (lbs.)		162	160	157	157	155	135	
Oven cabinet width required (in.)		27	27	27	27	27	24	
Overall dimensions (WxHxD in inches)		26-5/8 x 51 x 23-5/8	26-5/8 x 51 x 23-5/8	26-5/8 x 51 x 23-5/8	26-5/8 x 51 x 23-5/8	26-5/8 x 42-1/2 x 23-5/8	23-3/4 x 48-5/8 x 23-1/8	
Overall oven interior dimensions (WxHxD in inches)	Upper	21-1/2 x 17 x 18-1/4	21-1/2 x 17 x 18-1/4	21-1/2 x 17 x 18-1/4	21-1/2 x 17 x 18-1/4	16 x 11-1/8 x 13-3/8	17 x 15 x 18-1/2	
	Lower	21-1/2 x 17 x 18-1/4	21-1/2 x 17 x 18-1/4	21-1/2 x 17 x 18-1/4	21-1/2 x 17 x 18-1/4	21-1/2 x 17 x 18-1/4	17 x 15 x 18-1/2	
Power/Ratings								
KW rating @ 240V		6.8	6.8	6.8	7.1	6.4	7.1	
	208V	5.1	5.1	5.1	5.3	5.1	5.3	
Amps @ 240V		30	30	30	30	30	30	
	208V	30	30	30	30	30	30	
Convection wattage		2500						
Broiler/bake wattage		3400/2650	3400/2650	3400/2650	3400/2650	3400/2650	3400/2600	

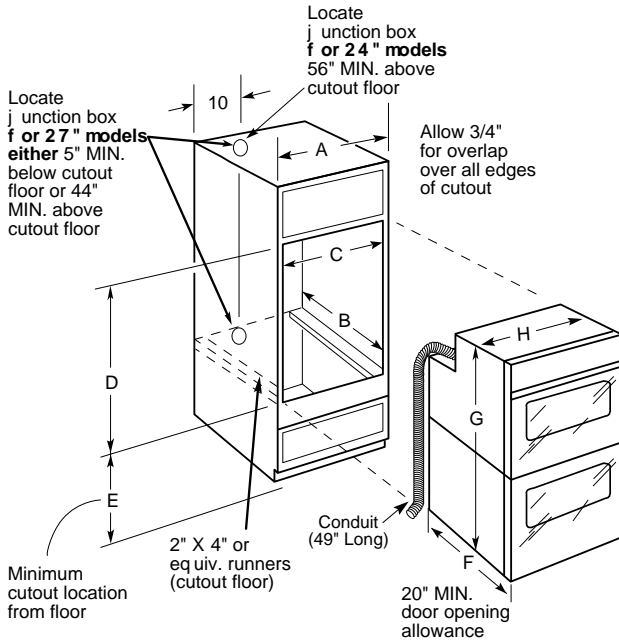
\*SS = Stainless steel, WW = White on white, CC = Bisque on bisque, BB = Black on black.





# 27" and 24" Built-In Double Ovens (continued)

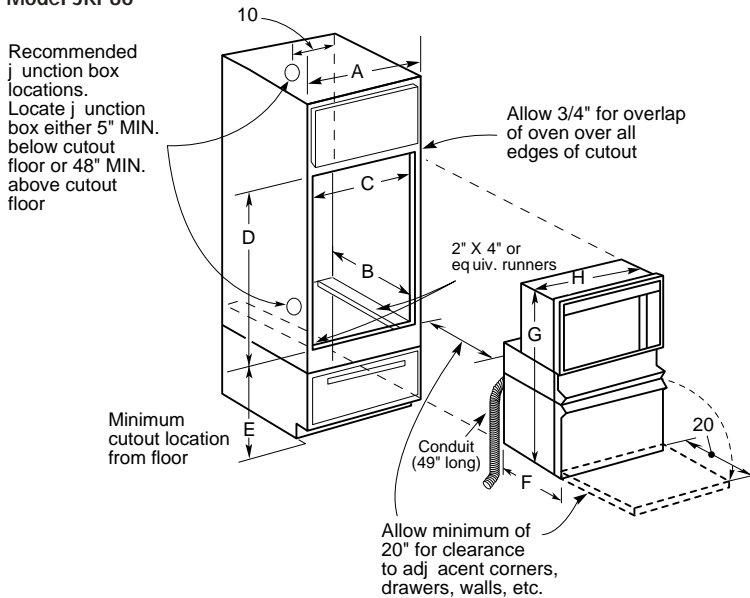
## 27"/24" Built-In Double Oven Dimensions (in inches)



**Note:** Cabinets installed adjacent to wall ovens must have an adhesion spec of at least a 194°F temperature rating.

**Note:** If marks, blemishes or the cutout opening is visible above the installed oven, it may be necessary to add wood shims under the runners and front trim until the marks or openings are covered.

## 27" Built-In Microwave Double Oven Dimensions (in inches) Model JKP86



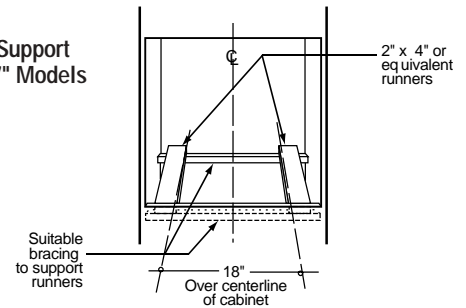
**Note:** Cabinets installed adjacent to wall ovens must have an adhesion spec of at least a 194°F temperature rating.

**Note:** If marks, blemishes or the cutout opening is visible above the installed oven, it may be necessary to add wood shims under the runners and front trim until the marks or openings are covered.

Electric wall ovens are not approved for installation with a plug and receptacle. They must be hard wired in accordance with installation instructions.

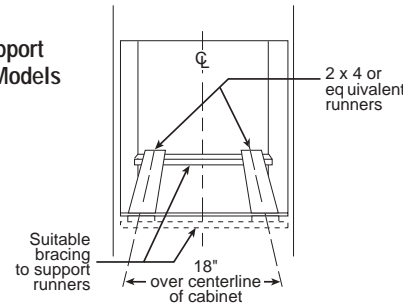
**Installation Information:** Before installing, consult installation instructions packed with product for current dimensional data.

### Oven Support For 27" Models



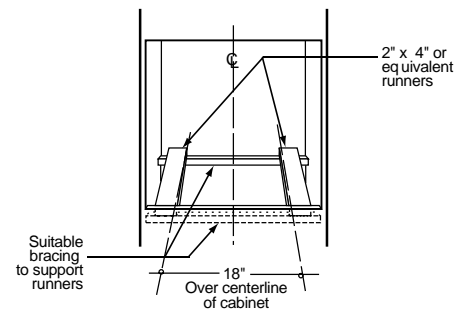
(Must support 275 lbs.)

### Oven Support For 24" Models



(Must support 275 lbs.)

Cabinet	JK955/JKP50/48/28	JRP24
A - Cabinet Width Required	27" min.	24" min.
B - Minimum Cabinet Depth	23-5/8"	23-1/2"
C - Opening Width	25" min. - 25-1/4 max.	22-1/2"
D - Opening Height	50-1/8" max.	48-1/8" min.
E - Recommended Minimum Cutout Location from Floor	13-1/4"	14"
<b>Oven</b>		
F - Overall Depth	23-5/8"	23-1/8"
G - Overall Height	w/o trim 50-1/4" with trim 51"	48-1/8" 49-1/4"
H - Overall Width	26-5/8"	23-3/4"



(Must support 275 lbs.)

Cabinet	27"
A - Cabinet Width Required	27" min.
B - Minimum Cabinet Depth	23-5/8"
C - Opening Width	25" min. - 25-1/4 max.
D - Opening Height	41-1/4" max.
E - Minimum Cutout Location from Floor	22"
<b>Oven</b>	
F - Overall Depth	23-5/8"
G - Overall Height	w/o trim 41-3/8" with trim 42-1/8"
H - Overall Width	26-5/8"

See page 156 for warranty information.

# 27" and 24" Built-In Single Ovens

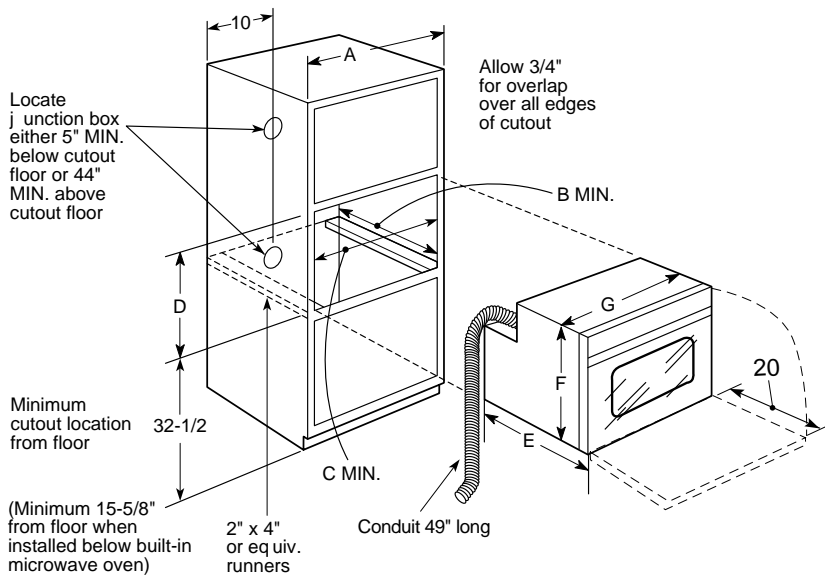
	GE Profile™	GE				
	27" Convection Single Ovens	27" Single Ovens			24" Single Ovens	
	JK915SF JK915WF JK915CF JK915BF	JKP25SH	JKP20WF JKP20CF JKP20BF	JKS06BF	JRP15WW/ JRP15BW	JRS04BW
<b>Features</b>						
Oven	Convection/Self-Clean	Self-Clean	Self-Clean	Standard-Clean	Self-Clean	Standard
Cleaning time	Variable	Variable	Variable		Variable	
Automatic self-clean oven door lock	●	●	●		●	
Self-clean oven w/Delay Clean option	●	●	●		●	
Light self-clean option	●	●	●			
TrueTemp™ System	●	●	●	●		
CleanDesign oven/hidden bake element	●					
Variable broil	●	●	●	●	●	●
Precise Air™ Convection System	●					
Multi-rack convection bake	●					
Single-rack convection bake	●					
Convection roast	●					
Auto Recipe™ Conversion	●					
SmartSet Controls	Glass touch	●	●	●	●	●
Proof Mode	●					
Warm Mode	●					
Oven meat probe	●					
Optional closed door broiling	●	●	●	●		
Temperature display	●	●	●	●	●	●
Delay Bake Option	●	●	●	●	●	●
C° and F° programmable	●	●	●	●	●	●
Audible preheat signal	●	●	●	●	●	●
Auto oven shut-off w/override	●	●	●	●	●	●
Electronic clock and kitchen timer	●	●	●	●	●	●
Control lock capability	●	●	●	●	●	●
Oven light	Halogen	●	●	●	●	●
Certified Sabbath Mode	●	●	●	●		
Oven racks	3 Heavy-duty	2	2	2	2	2
Embossed rack positions	4	4	4	4		
Roasting rack	●					
Broiler pan with grid	●	●	●	●	●	●
Convection cookbook	●					
<b>Appearance</b>						
Color appearance*	SS WW CC BB	SS	WW CC BB	BB	WW BB	BB
Frameless oven doors	Stainless Steel White Glass Bisque Glass Black Glass	Stainless Steel	White Glass Bisque Glass Black Glass	Black Glass	White Glass Black Glass	Black Glass
Big ClearView™ windows	●	●	●	●	Standard	Standard
Oven door handles	Sculptured Stainless-look Sculptured White Sculptured Bisque Sculptured Black	Stainless-Look	White Bisque Black	Black	White Black	Black
Flush appearance installation	●	●	●	●		
Undercounter installation	●	●	●	●		
<b>Weights &amp; Dimensions</b>						
Approx. shipping wt. (lbs.)	98	96	93	91	114	82
Oven cabinet width required (in.)	27	27	27	27	24	24
Overall dimensions (WxHxD in inches)	26-5/8 x 29 x 23-5/8	26-5/8 x 29 x 23-5/8	26-5/8 x 29 x 23-5/8	26-5/8 x 29 x 23-5/8	23-3/4 x 28-3/16 x 23-1/8	23-3/4 x 28-3/16 x 23-1/8
Overall oven interior dimensions (WxHxD in inches)	21-1/2 x 17 x 18-1/4	21-1/2 x 17 x 18-1/4	21-1/2 x 17 x 18-1/4	21-1/2 x 17 x 18-1/4	17 x 15 x 18-1/2	17 x 15 x 18-1/2
<b>Power/Ratings</b>						
KW rating @ 240V	3.4	3.4	3.4	3.4	3.4	3.4
208V	2.6	2.6	2.6	2.6	2.6	2.6
Amps @ 240V	20	20	20	20	20	20
208V	20	20	20	20	20	20
Convection wattage	2500					
Broiler/bake wattage	3400/2650	3400/2650	3400/2650	3400/2000	3400/2600	3400/2000

\*SS = Stainless steel, WW = White on white, CC = Bisque on bisque, BB = Black on black.



# 27" and 24" Built-In Single Ovens (continued)

## 27"/24" Built-In Single Oven Dimensions (in inches)

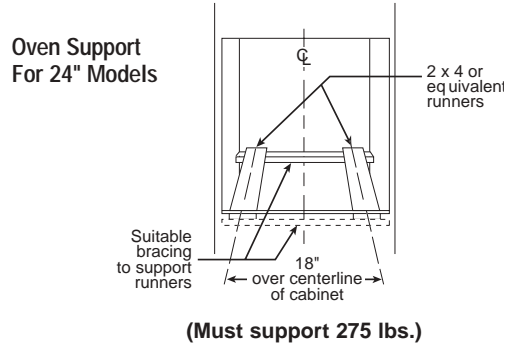
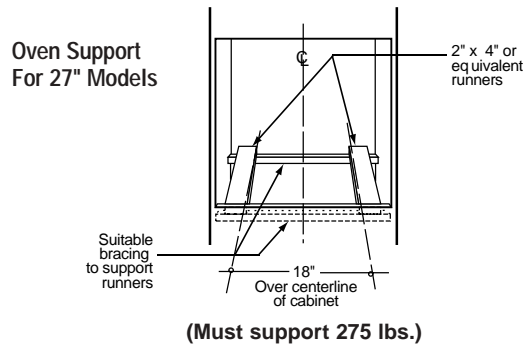


Note: Models JKS06, JRP15, JKP25, JKP20, JK915 and JRS04 are *not* approved for stackable or side-by-side installations.

Note: Models JK915, JKP25 and JKP20 can be installed side-by-side in separate enclosures with no less than 30" distance between center-to-center of each oven.

Note: Cabinets installed adjacent to wall ovens must have an adhesion spec of at least a 194°F temperature rating.

Note: For 27" built-in single ovens, if marks, blemishes or the cutout opening is visible above the installed oven, it may be necessary to add wood shims under the runners and front trim until the marks or openings are covered.

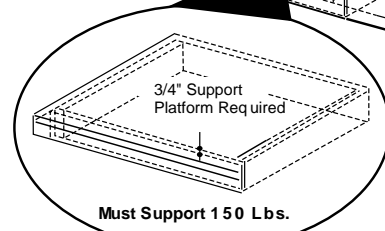
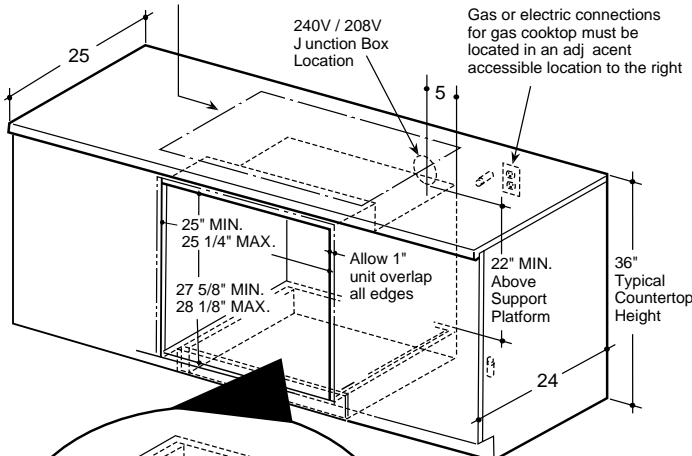


Cabinet	JK915, JKP25/20, JKS06	JRP15, JRS04
A - Cabinet Width Required	27" min.	24" min.
B - Minimum Cabinet Depth	23-5/8"	23-1/2"
C - Opening Width	25" min. - 25-1/4 max.	22-1/2"
D - Opening Height	27-5/8" min. - 28-1/8" max.	27-5/8" min.
<b>Oven</b>		
E - Overall Depth	23-5/8"	23-1/8"
F - Overall Height	w/o trim: 28-1/4" with trim: 29"	27-1/2" 28-3/16"
G - Overall Width	26-5/8"	23-3/4"

## Undercounter Installation Dimensions (in inches)

### Models JK915, JKP25, JKP20 and JKS06

Gas or electric cooktops may be installed over this oven. See cooktop installation instructions for cutout size. See label on top of oven for approved cooktop models.



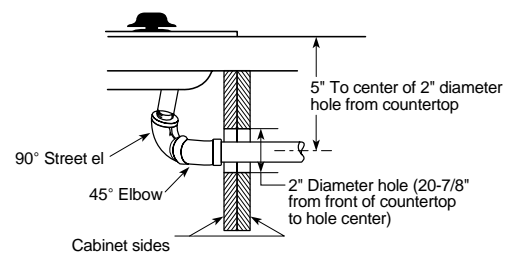
Note: 36" ribbon cooktops (excluding JP960) are approved for use over GE 30" single wall ovens only. 30" ribbon cooktops are approved for use over GE 30" and GE 27" single wall ovens. Refer to cooktop and wall oven installation information packed with products for current dimensional data.

Electric wall ovens are not approved for installation with a plug and receptacle. They must be hard wired in accordance with installation instructions.

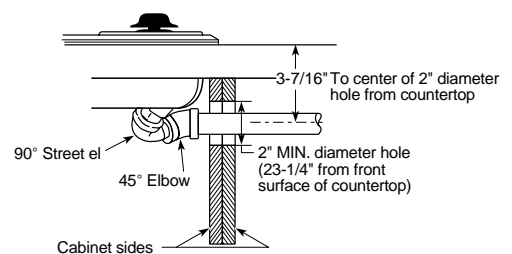
Note: Oven is rated for use only under 30" standard or sealed burner gas and selected 30" CleanDesign and Calrod® electric cooktops.

Installation Information: Before installing, consult installation instructions packed with product for current dimensional data.

## Sealed Burner Gas Cooktop Installation Dimensions (in inches)



## Standard Burner Gas Cooktop Installation Dimensions (in inches)



Note: Cabinets installed adjacent to wall ovens must have an adhesion spec of at least a 194°F temperature rating.

See page 156 for warranty information.



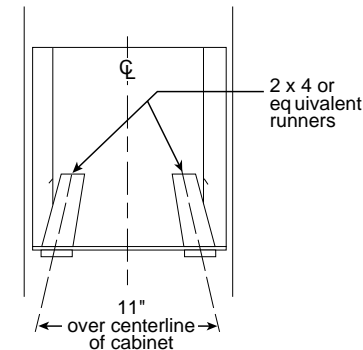
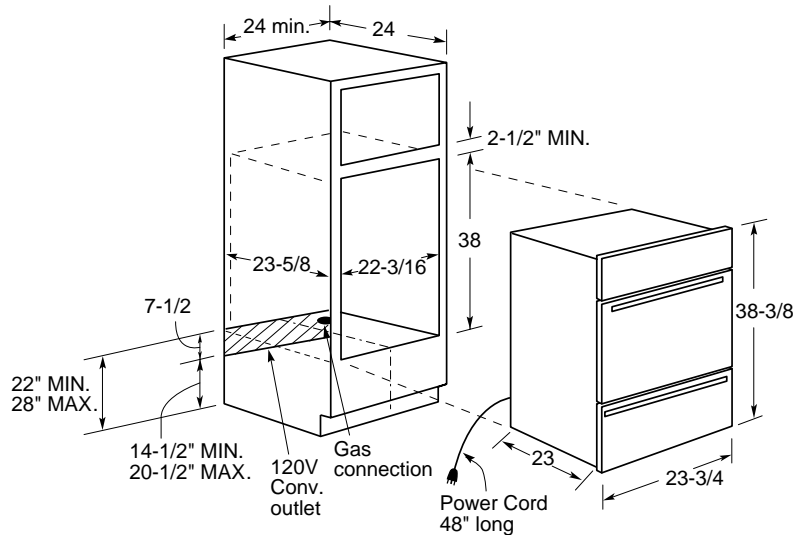
# 24" Built-In Gas Ovens

	GE	
	JGRP17WEW JGRP17BEW	JGRS14BEW
<b>Features</b>		
Oven interior	Self-Clean	Standard
Automatic self-clean oven door lock	●	
Delay Clean option	●	
In-oven broiling	●	
Separate broiler drawer		●
Storage drawer	●	
SmartSet controls	●	●
Temperature display	●	●
Start pad	●	●
Delay Bake option w/Cook & Hold	●	●
C° or F° programmable	●	●
Audible preheat signal	●	●
Auto oven shut-off w/override	●	●
Electronic clock and kitchen timer	●	●
Control lock capability	●	
Oven light pad	●	●
Oven racks	2	2
Broiler pan with grid	●	●
Electronic pilotless ignition	●	●
<b>Appearance</b>		
Color appearance*	WW BB	BB
Frameless oven door	White Glass Black Glass	Black Glass
Oven door with window	●	●
Designer-style handle	●	●
<b>Weights &amp; Dimensions</b>		
Approx. shipping weight (lbs.)	144	139
Oven cabinet width required (in inches)	24	24
Overall dimensions (WxHxD in inches)	← 23-3/4 x 38-3/8 x 23 →	
Overall oven interior dimensions (WxHxD in inches)	← 17 x 15 x 18-7/8 →	
<b>Power/Ratings</b>		
Gas oven electrical rating	120V, 60Hz, 5A	120V, 60Hz, 15A
Oven /broiler burners (000's BTU's)	14.5/14.5 - Oven	14.5/14.5
Natural Gas/LP Gas	13.0/13.0 - Broil	14.5/14.5



\*WW = White on white, BB = Black on black.  
Factory set for natural gas. A set of LP orifices is included with each oven for LP conversion.

## Built-In Gas Oven Dimensions (in inches)



**(Must support 275 lbs.)**

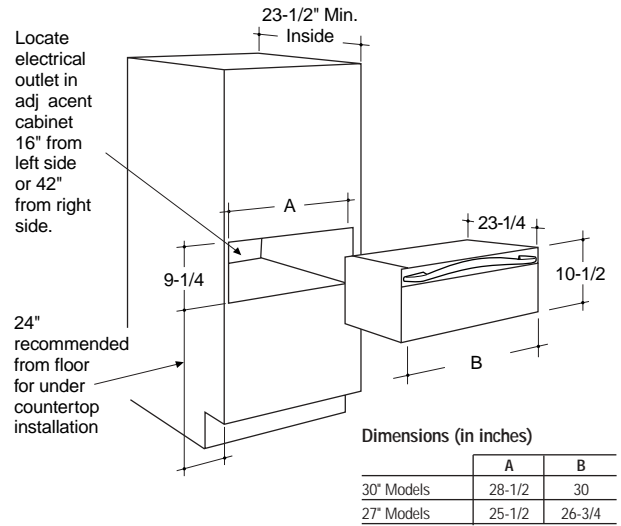
**Installation Information:** Before installing, consult installation instructions packed with product for current dimensional data.

# 30" and 27" Warming Drawers

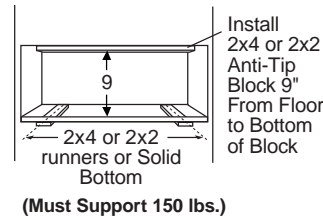
	GE Profile™	
	30" Warming Drawers	27" Warming Drawers
	JTD915SF JTD915WF JTD915CF JTD915BF	JKD915SF JKD915WF JKD915CF JKD915BF
<b>Features</b>		
Temperature control	●	●
Proof (80°F)	●	●
Low (140°F)	●	●
Medium (170°F)	●	●
High (210°F)	●	●
Humidity control	Crisp/Moist	Crisp/Moist
Hidden control	●	●
ON/OFF switch	●	●
*ON* indicator light	●	●
Half rack	●	●
Full extension drawer glide	●	●
Removable stainless steel pan	●	●
<b>Appearance</b>		
	SS WW CC BB	SS WW CC BB
Color appearance*	Stainless Steel White glass Bisque glass Black glass	Stainless Steel White glass Bisque glass Black glass
Frameless drawer front	Stainless-look White Bisque Black	Stainless-look White Bisque Black
Sculptured handle		
<b>Weights &amp; Dimensions</b>		
Interior dimensions (WxHxD in inches)	23-7/8 x 6-1/4 x 22-1/16	20-7/8 x 6-1/4 x 22-1/16
Cutout dimensions (WxHxD in inches)	28-1/2 x 9-1/4 x 23-1/2	25-1/2 x 9-1/4 x 23-1/2
Approx. shipping weight (lbs.)	65	59
<b>Power/Ratings</b>		
KW rating @ 120V	.45	.45
Amps @ 120V	15	15
Element wattage	450	450
<b>Accessories</b>		
1/4" panel kit capability	ZXD30B	ZXD27B
Pan set (2 pans with lids)	JXPN2	JXPN2

\*SS = Stainless Steel, WW = White on white, CC = Bisque on bisque, BB = Black on black.

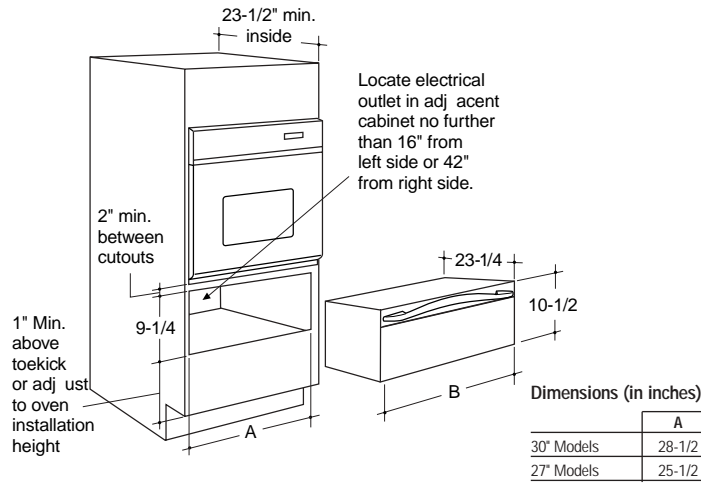
## Warming Drawer Dimensions (in inches)



	A	B
30" Models	28-1/2	30
27" Models	25-1/2	26-3/4



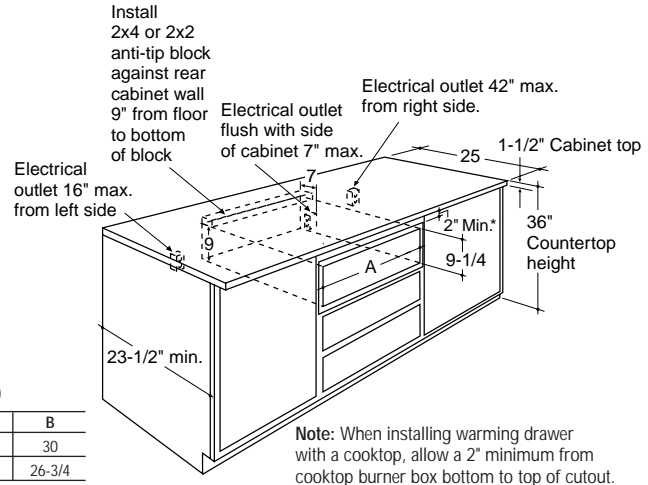
## Under Oven Installation (in inches)



**Installation Information:** Before installing, consult installation instructions packed with product for current dimensional data.

**Optional Accessory:** Pan Set For Warming Drawer – JXPN2

## Undercounter Installation (in inches)



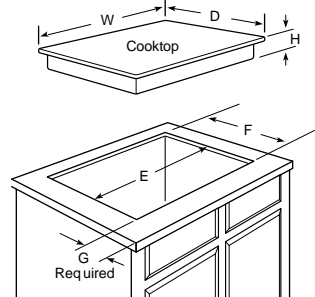
**Note:** When installing warming drawer with a cooktop, allow a 2" minimum from cooktop burner box bottom to top of cutout.

# Built-In CleanDesign Cooktops

Features	GE Profile™							GE
	JP969SH JP969WH JP969CH JP969BH	JP961SH JP961TH JP961KH JP961BH	JP960SC JP960TC JP960KC JP960BC	JP939SH JP939WH JP939CH JP939BH	JP931SH JP931TH JP931KH JP931BH	JP930SC JP930TC JP930KC JP930BC	JP350SC JP350TC JP350WC JP350KC JP350BC	JP340WC JP340CC JP340BC
Ceramic-glass surface	Patterned Black Patterned White Patterned Bisque Patterned Black	Patterned Black True White True Bisque Patterned Black	Patterned Black True White True Bisque Patterned Black	Patterned Black Patterned White Patterned Bisque Patterned Black	Patterned Black True White True Bisque Patterned Black	Patterned Black True White True Bisque Patterned Black	Patterned Black True White Patterned White True Bisque Patterned Black	Patterned White Patterned Bisque Patterned Black
Number of elements	5 Ribbon	5 Ribbon	5 Ribbon	4 Ribbon	4 Ribbon	4 Ribbon	4 Ribbon	4 Ribbon
Dual 6 9/16" heating elements	1 Ribbon (2500W)	1 Ribbon (2500W)	1 Ribbon (2500W)	1 Ribbon (2500W)	1 Ribbon (2500W)	1 Ribbon (2500W)	1 Ribbon (2500W)	
Dual 5 7/8" heating elements	1 Ribbon (2200W)	1 Ribbon (2200W)		1 Ribbon (2200W)	1 Ribbon (1900W)			
8" heating elements					1 Ribbon (2000W)		2 Ribbon (2000W)	2 Ribbon (2000W)
7" heating element	1 Ribbon w/Warmer (1500W)	1 Ribbon (1500W)	1 Ribbon (1500W)	1 Ribbon (1500W)				
7" heating elements			2 Ribbon (1800W)			2 Ribbon (1800W)		
Bridge element			1 Ribbon (800W)			1 Ribbon (800W)		
Total wattage			4400W			4400W		
6" heating elements	2 Ribbon (1200W)	2 Ribbon (1200W)	1 Ribbon (1200W)	1 Ribbon (1200W)	1 Ribbon (1200W)	1 Ribbon (1200W)	1 Ribbon (1200W)	2 Ribbon (1200W)
Hot surface indicator lights	5	5	5	4	4	4	4	1
Precise Digital Control System™	●			●				
Pan presence sensor	●			●				
Pan size sensor	●			●				
Kitchen timer	●			●				
Control lock capability	●			●				
Appearance								
Color appearance*	SS WW CC BB	SS WW CC BB	SS WW CC BB	SS WW CC BB	SS WW CC BB	SS WW CC BB	SS WW WW CC BB	WW CC BB
Frameless	●	●	●	●	●	●	●	●
Weights & Dimensions								
Cooktop width (in inches)	36	36	36	30	30	30	30	30
Approx. shipping weight (lbs.)	45	44	44	38	38	38	38	35
Power/Ratings								
KW rating @ 240V	8.6	9.6	9.6	7.4	7.6	8.1	7.7	6.4
208V	6.5	7.2	7.2	5.6	5.7	6.1	5.8	4.8
Amps @ 240V	36	40	40	31	32	40	40	30
208V	31	40	40	27	27	30	30	30

\*SS = Stainless Steel, WW = White on white, CC = Bisque on bisque, BB = Black on black.

## Cooktop Dimensions (in inches)



## Cooktop Dimensions (in inches)

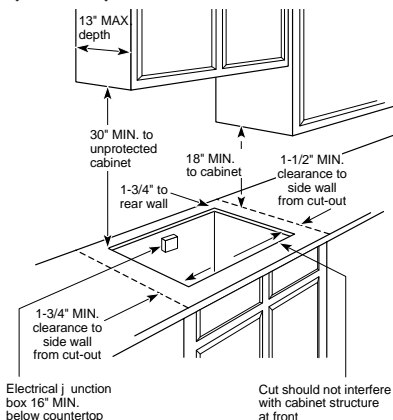
Model	Overall			Cutout		To Edge of Front Counter (Min.)
	W	D	H	E	F	
JP969WH/CH/BH	36	20-3/8	3-1/4*	33-7/8	19-1/8	2-1/2
JP961TH/KH/BH	36	20-3/8	3-1/4*	33-7/8	19-1/8	2-1/2
JP960TC/KC/BC	36	20-3/8	3-1/4*	33-7/8	19-1/8	2-1/2
JP939WH/CH/BH	29-3/4	20-7/8	3-1/4*	28-1/2	19-5/8	2-1/2
JP931TH/KH/BH	29-3/4	20-7/8	3-1/4*	28-1/2	19-5/8	2-1/2
JP930TC/KC/BC	29-3/4	20-7/8	3-1/4*	28-1/2	19-5/8	2-1/2
JP350TC/WC/KC/BC	29-3/4	20-7/8	3-1/4*	28-1/2	19-5/8	2-1/2
JP340WC/CC/BC	29-3/4	20-7/8	3-1/4*	28-1/2	19-5/8	2-1/2

\*Depth of unit at conduit connection location (rear) is 6-1/4" on models JP969/939 and 4-5/8" on models JP961/960/931/930/350/340.

**Notes:** If installing with a GE Profile Telescopic Downdraft System, consult both cooktop and downdraft installation instructions packed with product before installing. Cooktop gas/electric supply may need to be re-routed to install downdraft. The countertop must be at least 26" deep with a flat surface area of 23-1/2" or more, front to back. JGP939S, JGP930S, JP350S and JGP932S require 23-5/8" flat surface area. In addition, other clearances to the front edge of the countertop must be considered.

**Note:** Consult cabinet and countertop manufacturer's specs for flush mount installation prior to install.

## Counter Installation Dimensions (in inches)



## Stainless Steel Cooktop Dimensions (in inches)

Model	Overall			Cutout		To Edge of Front Counter (Min.)
	W	D	H	E	F	
JP969SH	36-1/8	21	3-1/4*	33-7/8	19-1/8	2-1/2
JP961SH	36-1/8	21	3-1/4*	33-7/8	19-1/8	2-1/2
JP960SC	36-1/8	21	3-1/4*	33-7/8	19-1/8	2-1/2
JP939SH	29-7/8	21-1/2	3-1/4*	28-1/2	19-5/8	2-1/2
JP931SH	29-7/8	21-1/2	3-1/4*	28-1/2	19-5/8	2-1/2
JP930SC	29-7/8	21-1/2	3-1/4*	28-1/2	19-5/8	2-1/2
JP350SC	29-7/8	21-1/2	3-1/4*	28-1/2	19-5/8	2-1/2

\*Depth of unit at conduit connection location (rear) is 6-1/4" on models JP969/939 and 4-5/8" on models JP961/960/931/930/350.

## Built-In CleanDesign Cooktops

Requires a 5" free area between the bottom of the cooktop to any combustible material, i.e., shelving. Free area not required when installing wall oven underneath cooktop. Refer to installation instructions. Requires an 18" minimum from cooktop to adjacent overhead cabinets. Units are furnished with a 48" flexible armored cable.

36" Ribbon cooktops (excluding JP960) are approved for use over GE 30" Single Wall Ovens and Warming Drawers. 30" Ribbon cooktops are approved for use over GE 30" Single Wall Ovens and Warming Drawers. Refer to cooktop and wall oven installation instructions packed with product for current dimensional data.

## Filler Trim Kit

When replacing an old GE 30" cooktop (with larger opening) with Models JP939/931/930/350/340, use the following one-piece trim kit to fill in the over-size hole. Available at additional cost.

JXTR31W (True White)  
JXTR31C (True Bisque)  
JXTR31B (Black—use with black glass cooktops with a white, bisque or black pattern)

## Flush Mount Installation Kit

Accommodates both 30" and 36" installations. Not for use with stainless steel models.

JXFLMTW (True White)  
JXFLMCC (True Bisque)  
JXFLMBB (Black—use with black glass cooktops with a white, bisque or black pattern)

## Optional Accessory

ZX375GRD Universal Griddle is non-stick and fits all electric smooth top ranges, cooktops, electric bridge elements and gas ranges.

## Installation Information:

Before installing, consult installation instructions packed with product for current dimensional data.

See page 156 for warranty information.



# Built-In Electric Cooktops

GE				
	JP626WF JP626CF	JP328SF JP328WF JP328CF JP328BF	JP201CB	JP202D
<b>Features</b>				
Cooktop surface	Porcelain-Enameled	Stainless Steel Porcelain-Enameled Porcelain-Enameled Porcelain-Enameled	Stainless Steel	Porcelain-Enameled
Lift-up cooktop with support rod	●	●		
8" heating elements	2 Plug-In	2 Plug-In	1 Plug-In	1 Plug-In
6" heating elements	2 Plug-In	2 Plug-In	1 Plug-In	1 Plug-In
One-piece removable chrome drip bowls	●	●	●	●
Infinite heat rotary controls	●	●	●	●
Control panel location	Upfront	Upfront	Upfront	Upfront
Control panel	White Glass Bisque Glass	Black Glass White Glass Bisque Glass Black Glass		
Surface element "ON" indicator light	●	●	●	●
<b>Appearance</b>				
Color appearance*	WW CC	SS WW CC BB	SS	WW
<b>Weights &amp; Dimensions</b>				
Cooktop width (in inches)	35-1/2	30-1/4	21-1/4	21-1/4
Approx. shipping weight (lbs.)	38	36	18	18
<b>Power/Ratings</b>				
KW rating @ 240V	7.4	7.4	3.4	3.4
208V	5.6	5.6	2.5	2.5
Amps @ 240V	40	40	20	20
208V	30	30	20	20

\*SS = Stainless Steel, WW = White on white, CC = Bisque on bisque, BB = Black on black.

## Built-In Electric Cooktops

Required free area between the bottom of the cooktop and any combustible material, i.e., shelving is 5" minimum on models JP626/328 and 1-1/2" minimum on models JP201/202. Free area not required when installing wall oven underneath. Requires an 18" minimum from cooktop to adjacent overhead cabinets. Units are furnished with a 48" flexible armored cable.

Cooktop model JP328 is approved for use over select GE 27" or 30" Single Wall Ovens. JP626 is approved for use over GE 30" Single Wall Ovens only. Refer to cooktop and wall oven installation instructions packed with product for current dimensional data.

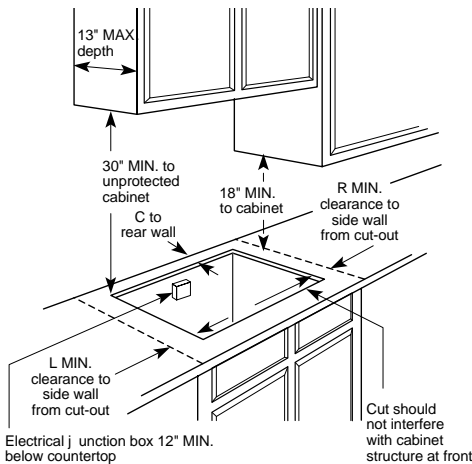
Cooktop models JP201CB and JP202D are approved for use over GE undersink dishwasher model GSM2100. Refer to cooktop installation instructions packed with product for current dimensional data.

**Note:** If installing with a GE Profile Telescopic Downdraft System, consult both cooktop and downdraft installation instructions packed with product before installing. Cooktop gas/electric supply may need to be re-routed to install downdraft.

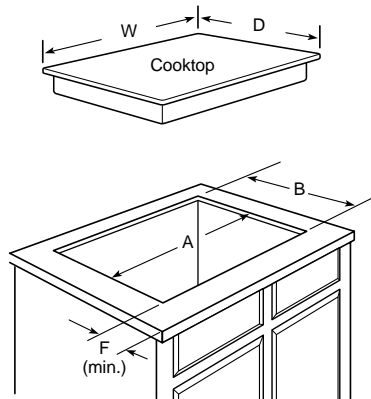
**Note:** The countertop must be at least 26" deep with a flat surface area of 23-1/2" or more, front to back. In addition, other clearances to the front edge of the countertop must be considered.

**Filler Trim Kit**—When replacing an old GE 30" cooktop (with larger opening) with Models JP328WF, JP328CF, JP328BF, JP328SF, use the following one-piece trim kits to fill in the over-size hole. Available at additional cost.  
 JXTR31W (White)  
 JXTR31C (Bisque)  
 JXTR31B (Black)

## Counter Installation Dimensions (in inches)



## Built-In Cooktop Dimensions (in inches)



## Installation Information:

Before installing, consult installation instructions packed with product for current dimensional data.

## Dimensions (in inches)

Model	Overall		Cutout		Minimum Spacing To Nearest Combustible Wall			To Edge of Front Counter (Min.)
	W	D	A	B	C	R	L	F
JP626	35-1/2	21	33-7/8	19-1/8	2-1/2	3-3/4	3-3/4	2-1/2
JP328	30-1/4	21-1/4	28-1/2	19-1/2	1-3/4	2	5-1/2	2-1/2
JP202	21-1/4	16-5/8	20-1/8	16-1/8	2	2	2	2-3/4
JP201	21-1/4	16-5/8	20-1/8	16-1/8	2	2	2	2-3/4

# Built-In Electric Downdraft Cooktops

	GE Profile™		
	JP989SD	JP989TD JP989KD	JP989BD
<b>Features</b>			
Downdraft exhaust (CFM)	400	400	400
Three-speed downdraft vent fan	●	●	●
Ceramic-glass surface	Black	True White True Bisque	Black
Number of elements	4	4	4
Dual 6 <sup>7</sup> / <sub>8</sub> " heating elements	1 Ribbon (2500W)	1 Ribbon (2500W)	1 Ribbon (2500W)
7" heating elements	2 Ribbon (1800W)	2 Ribbon (1800W)	2 Ribbon (1800W)
Bridge element	1 Ribbon (800W)	1 Ribbon (800W)	1 Ribbon (800W)
Total wattage	4400W	4400W	4400W
6" heating elements	1 Ribbon (1500W)	1 Ribbon (1500W)	1 Ribbon (1500W)
Infinite heat controls	●	●	●
Hot surface indicator lights	4	4	4
Heating element "ON" indicator light	●	●	●
<b>Appearance</b>			
Color appearance*	SS	WW CC	BB
Frameless	●	●	●
<b>Weights &amp; Dimensions</b>			
Cooktop width (in inches)	30	30	30
Overall dimensions (WxD in inches)	← 29-7/8 x 21-7/8 →		
Approx. shipping weight (lbs.)	72	72	72
<b>Power/Ratings</b>			
KW Rating @ 240V	8.8	8.8	8.8
208V	6.7	6.7	6.7
Amps @ 240V	40	40	40
208V	40	40	40

\*SS = Stainless steel, WW = White on white, CC = Bisque on bisque, BB = Black on black.

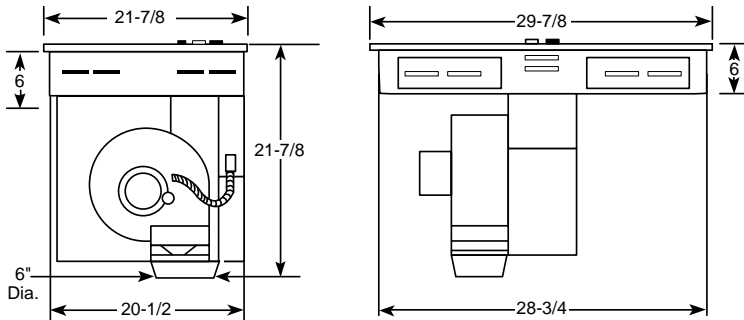
# Built-In Gas Downdraft Cooktops

	GE Profile™		
	JGP989TC	JGP989KC	JGP989BC
<b>Features</b>			
Cooktop burners	Sealed	Sealed	Sealed
Electronic pilotless ignition	●	●	●
Ceramic-glass surface	True White	True Bisque	Black
Burner grates	2	2	2
Downdraft exhaust (CFM)	400	400	400
<b>Appearance</b>			
Color appearance*	WW	CC	BB
Frameless	●	●	●
<b>Weights &amp; Dimensions</b>			
Cooktop width (in inches)	30	30	30
Overall dimensions (WxD in inches)	← 29-7/8 x 21-7/8 →		
Approx. shipping weight (lbs.)	90	90	90
<b>Power/Ratings</b>			
Gas cooktop electrical rating	120V	120V	120V
Burners (000's/BTU's)**	(2) 9.1/8.5	(2) 9.1/8.5	(2) 9.1/8.5
Natural Gas/LP Gas	(1) 11.5/11.0 (1) 5.5/5.5	(1) 11.5/11.0 (1) 5.5/5.5	(1) 11.5/11.0 (1) 5.5/5.5

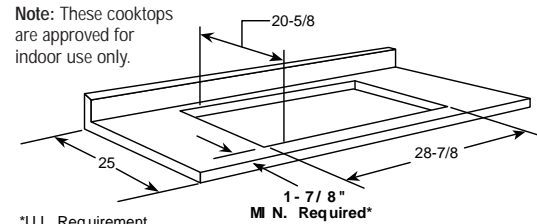
\*WW = White on white, CC = Bisque on bisque, BB = Black on black.

\*\*A set of LP orifices is included with each cooktop for LP conversion. Factory set for natural gas.

## Built-In Electric and Gas Downdraft Cooktops Dimensions (in inches)



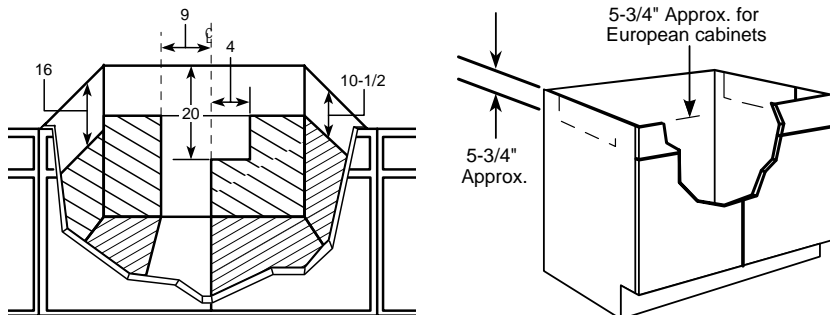
## Built-In Electric and Gas Cutout Dimensions (in inches)



\*U.L. Requirement.

Note: A 5" minimum spacing to adjacent side wall is required on JGP989. A 6" minimum spacing to adjacent side wall is required on JP989.

## Built-In Electric and Gas Cabinet Dimensions (in inches)



### Receptacle Location

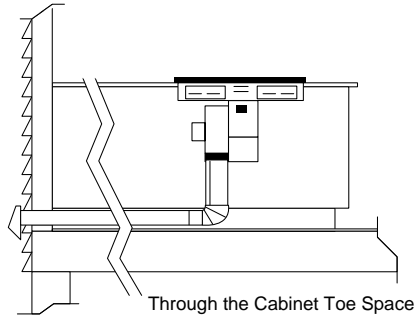
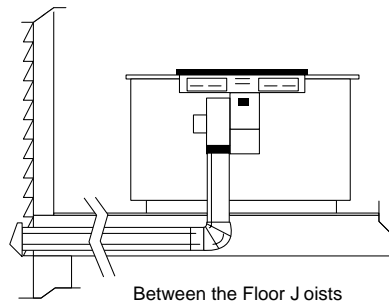
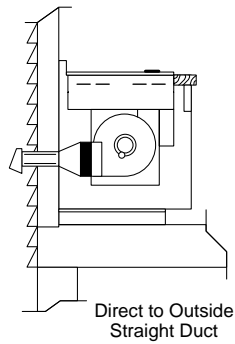
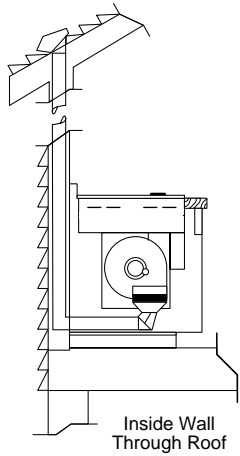
Install an approved junction box within shaded area shown in diagram. Junction box must be at least 10-1/2" below top of cabinet.

### Preparing the Cabinet for Installation

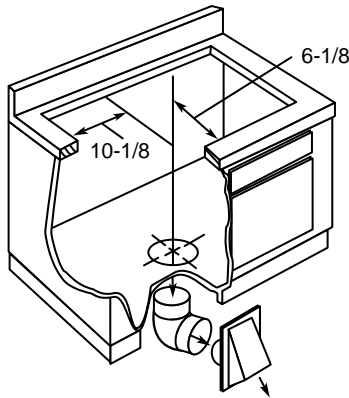
In some cabinets, the sides may need to be scooped or cut down 5-3/4" as shown (right) and the corner braces removed in order to accommodate the cooktop.

# Built-In Electric and Gas Downdraft Cooktops (continued)

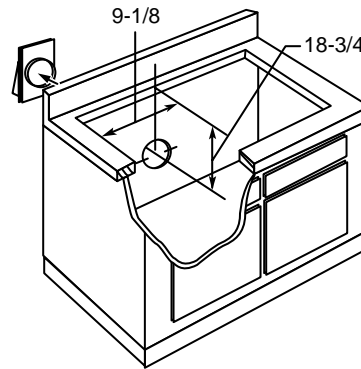
## Built-In Electric and Gas Downdraft Cooktop Venting Options



## Built-In Electric and Gas Downward Venting (in inches)



## Built-In Electric and Gas Rear Wall Venting (in inches)



### Wall Installation

Wall installations require 25" countertop depth. When cabinet is flush against the wall, the fan housing can be rotated to the horizontal position for direct venting through rear wall. Make a countertop cutout in the range cabinet according to unit dimensions and installation type. Duct hole is positioned in back of cabinet for through-the-wall ducting. Requires special offset adapter JXRW89.

### Peninsula or Island Installation

For peninsula/islands a minimum 26" countertop depth is suggested. Blower should be in vertical position. Island or peninsula cabinets may require adjustment in cutout depth and/or location within the width dimensions. Duct hole is positioned in bottom of cabinet for island or peninsula installation.

### Slab Installation

For peninsula or island installation and rear wall ducting, **6" PVC duct or locally approved piping should be used if installing under a poured concrete slab.**

**Note:** Electrical cable is not supplied with unit

### JXRW89 Rear Wall Installation Kit

Optional accessories may be ordered for installation on rear wall.

### JXCK89 Electrical Connection Kit

Optional accessory kit for JP989 electric downdraft cooktop only, includes junction box and conduit.

**Installation Information:** Before installing, consult installation instructions packed with product for current dimensional data.

### Installing the Ductwork

Use galvanized or aluminum duct in 6" round or 3-1/4" x 10" size, or combination of both. **PVC duct or locally approved piping should be used if installing under a poured concrete slab.** Local building code must be followed in specifying type and schedule of all duct used.

**Note:** Ductwork must be vented to outside. Do not vent into a wall, ceiling, crawl space, attic or any concealed space. Always use an appropriate roof or wall cap with damper. **Laundry-type wall caps should never be used.** For maximum efficiency use the shortest and straightest duct run possible, with as few fittings as possible. For satisfactory performance the duct run should not exceed 100 feet equivalent length. Refer to the table of equivalent lengths (shown in installation instructions) for various duct configurations.

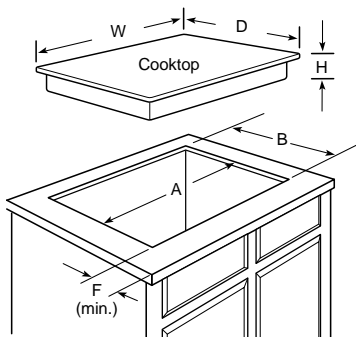


# Built-In Gas Cooktops

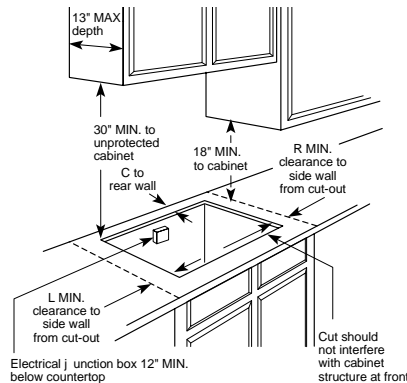
Features	GE Profile™				GE®								
	JGP963SEF JGP963WEC JGP963CEC JGP963BEC	JGP962SEC JGP962TEC JGP962KED JGP962BEC	JGP933SEF JGP933WEC JGP933CEC JGP933BEC	JGP932SEC JGP932TEC JGP932KED JGP932BEC	JGP960SED	JGP636WED JGP636CED JGP636BED	JGP930SED	JGP336WED JGP336CED JGP336BED	JGP628WEC JGP628CEC JGP628BEC	JGP328WEC JGP328CEC JGP328BEC	JGP326WEC JGP326CEC JGP326BEC	JGP320EV	
Cooktop burners	5 Sealed	5 Sealed	4 Sealed	4 Sealed	5 Sealed	5 Sealed	4 Sealed	4 Sealed	4 Sealed	4 Sealed	4 Sealed	4 Standard	
Power Boil™ burner	●	●	●	●									
High Output burner	●	●	●	●	●	●	●	●	●	●	●		
Precise Simmer burner(s)	2	2	●	●	2	2	●	●	●	●	●		
Electronic pilotless ignition	●	●	●	●	●	●	●	●	●	●	●	●	
Cooktop surface	Stainless Steel Porcelain	Ceramic-Glass	Stainless Steel Porcelain	Ceramic-Glass	Tempered Glass	Tempered Glass	Tempered Glass	Tempered Glass	Porcelain-Enameled	Porcelain-Enameled	Porcelain-Enameled	Porcelain-Enameled	
Cooktop grates	Continuous Deluxe Cast	Continuous Deluxe Cast	Continuous Deluxe Cast	Continuous Deluxe Cast	Deluxe Cast	Deluxe Cast	Deluxe Cast	Deluxe Cast	Continuous	Continuous	Medium Cast	Standard Steel	
One-piece drip pans					Porc.-Enam.	Porc.-Enam.	Porc.-Enam.	Porc.-Enam.	Porc.-Enam.	Porc.-Enam.	Porc.-Enam.	Chrome	
Control panel	Stainless Steel White Bisque Black	Stainless Steel True White True Bisque Black	Stainless Steel White Bisque Black	Stainless Steel True White True Bisque Black	Black	White Bisque Black	Black	White Bisque Black	White Bisque Black	White Bisque Black	White Bisque Black	White/Black	
Controls	Upfront	Upfront	Right Side	Right Side	Upfront	Upfront	Right Side	Right Side	Upfront	Right Side	Right Side	Right Side	
Appearance													
Color appearance*	SS WW CC BB	SS WW CC BB	SS WW CC BB	SS WW CC BB	SS	WW CC BB	SS	WW CC BB	WW CC BB	WW CC BB	WW CC BB	WH/BL	
Weight & Dimensions													
Cooktop width (in inches)	36	36	30	30	36	36	30	30	36	30	30	30	
Approx. shipping weight (lbs.)	54	59	44	49	38	38	30	30	51	44	44	31	
Power/Ratings													
Gas cooktop electrical rating	120V, 60Hz, 5A												
Burners (000's/BTU's):	Nat. Gas/ LP Gas†	(1) 15.0/14.0 (1) 11.0/10.0 (1) 9.1/8.1 (2) 6.0/6.0	(1) 15.0/14.0 (1) 11.0/10.0 (1) 9.1/8.1 (2) 6.0/6.0	(1) 15.0/14.0 (1) 11.0/10.0 (1) 9.1/8.1 (1) 6.0/6.0	(1) 15.0/14.0 (1) 11.0/10.0 (1) 9.1/8.1 (1) 6.0/6.0	(1) 12.0/9.4 (2) 9.5/7.0 (2) 5.0/4.0	(1) 12.0/9.4 (2) 9.5/7.0 (2) 5.0/4.0	(1) 12.0/9.4 (2) 9.5/7.0 (1) 5.0/4.0	(1) 12.0/9.4 (2) 9.5/7.0 (1) 5.0/4.0	(3) 9.1/8.1 (1) 6.0/6.0	(3) 9.1/8.1 (1) 6.0/6.0	(3) 9.1/8.1 (1) 6.0/6.0	(4) 9.1/8.0

\*SS = Stainless Steel, WW = White on white, CC = Bisque on bisque, BB = Black on black, WH = White, BL = Black.  
 †A set of LP orifices is included with each cooktop for LP conversion. Factory set for natural gas.

## Cooktop Dimensions (in inches)



## Counter Installation Dimensions (in inches)



**Installation Information:** Before installing, consult installation instructions packed with product for current dimensional data.

## Dimensions (in inches)

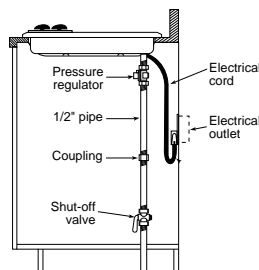
Model	Overall			Cutout			Minimum Spacing To Nearest Combustible Wall			To Edge of Front Counter
	W	D	H	A	B	C	L	R	F	
JGP963	36	21	3-3/16	33-7/8	19-1/8	2-1/4	3-3/4	3-3/4	2-1/2	
JGP933	30	21	3-3/16	28-1/2	19-5/8	2-1/4	3-3/4	3-3/4	2-1/2	
JGP962	36	20-7/16	3-1/16	33-7/8	19-1/8	2-1/4	3-3/4	3-3/4	2-1/2	
JGP932	29-3/4	21	3-3/16	28-1/2	19-5/8	2-1/4	3-3/4	3-3/4	2-1/2	
JGP960	36	21	3-1/16	33-7/8	19-1/8	2-1/4	3-3/4	3-3/4	2-1/2	
JGP636	36	21	3-1/16	33-7/8	19-1/8	2-1/4	3-3/4	3-3/4	2-1/2	
JGP628	36	21	3-3/16	33-7/8	19-1/8	2-1/4	3-3/4	3-3/4	2-1/2	
JGP930	30	21	2-1/2	28-1/2	19-5/8	2-1/4	3-3/4	3-3/4	2-1/2	
JGP336	30	21	2-1/2	28-1/2	19-5/8	2-1/4	3-3/4	3-3/4	2-1/2	
JGP328	30	21	3-3/16	28-1/2	19-5/8	2-1/4	3-3/4	3-3/4	2-1/2	
JGP326	30	21	2-1/2	28-1/2	19-5/8	2-1/4	3-3/4	3-3/4	2-1/2	
JGP320	30-1/4	21-1/4	3-9/32	28-1/2	19-5/8	1-3/4	3	3	3-1/4	

\*Allow 5-3/4" depth at rear for electrical and gas connections.

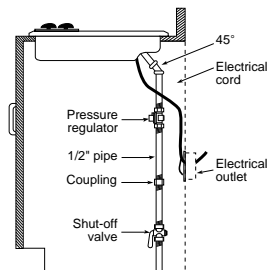
**Note:** All gas cooktop models require 7/16" free area below cooktop height to combustible material. 0" clearance is required between left and right sides of cooktop below countertop. Requires 18" minimum from countertop to adjacent overhead cabinets.\*  
 \*AGA requirement.

**Note:** If installing with a GE Profile Telescopic Downdraft System, consult both cooktop and downdraft installation instructions packed with product before installing. Cooktop gas/electric supply may need to be re-routed to install downdraft.

## Gas Connection Models JGP963/962/636/628



## Gas Connection Models JGP933/932/336/328/326/320



## Installation With Single Wall Oven Information:

30" Gas Cooktops are approved for use over GE 27" Wall Ovens. 36" and 30" Gas Cooktops are approved for use over 30" Wall Ovens. Refer to cooktop and wall oven installation instructions packed with product for current dimensional data.

## Optional Gas Range Wok Accessory (Available at additional cost)

JXWK = Wok accessory holder sits on top of maximum burner grate to hold a **round-bottom** wok. For use with JGP960/930/636/336 models only.

JXWK2 = Wok accessory holder sits on top of maximum burner grate to hold a **round-bottom** wok. For use with JGP963/933/962/932 models only.

# Select-Top™ Modular Downdraft Cooktops

GE®	
Dual Modular	
JP389WD JP389BD	
<b>Features</b>	
Configuration	Dual Modular
Cooktop finish	White Porc.-Enam. Black Porc.-Enam.
Infinite heat controls	Rotary
Heating element "ON" indicator light	●
Downdraft exhaust (CFM)	400
Three-speed downdraft vent fan	●
<b>Appearance</b>	
Color appearance*	WW BB
<b>Weights &amp; Dimensions</b>	
Cooktop width (in inches)	30
Approx. shipping weight (lbs.)	72
<b>Power/Ratings</b>	
Amps @ 240V	40
KW rating @ 240V	8.0
<b>Accessories</b>	
Ribbon heating elements (one 8" and one 6")	JXDR50VW JXDR50VB
Coil heating elements (one 6", one 8" element with removable one-piece bowls)	JXDC44RWH JXDC43RBL
Grill Module <sup>†</sup>	JXDL44N
Griddle Accessory	JXDD44R
Grill Cover	JXDM3 JXDM2

\*WW = White on white, BB = Black on black.

<sup>†</sup>Grill Module includes coil heating element, one-piece grill grate, and porcelain reflector pan.

## Cooktop Options

Modules are not included with the cooktop. They must be purchased separately. GE lets you customize your cooktop with flexible modules to suit your taste. These optional versatile modules—*Grill, Coil, Ribbon, Griddle Opening Accessory and Grill Cover*—are available at additional cost. Simply plug the modules you want into either side of the cooktop (single modular cooktops accept modules on left side only) and unplug them for easy cleaning and storage.

## Grill Module, JXDL44N

Includes front/rear controlled heating element, one-piece grill grate, and porcelain-enameled reflector pan.

## Griddle Accessory, JXDD44R (Use with optional Grill Module.)

Place over heating element and reflector pan from optional grill module. Griddle accessory has a non-stick coating and is self-draining.

## Ribbon Modules

Patterned glass top with one 8" and one 6" ribbon heating element  
JXDR50VW—White on white, JXDR50VB—Black on black

## Coil Modules

One 8" and one 6" plug-in heating element with one-piece bowls  
JXDC43RBL—Black porcelain-enameled, JXDC44RWH—White porcelain-enameled

## JXCK89 Electrical Connection Kit

Optional accessory kit for JP389 downdraft cooktop only, includes junction box and conduit.

## Wall Installation

Wall installations require 25" countertop depth. When cabinet is flush against the wall, the fan housing can be rotated to the horizontal position for direct venting through rear wall. Make a countertop cutout that is centered in the range cabinet according to unit dimensions and installation type. Duct hole is positioned in back of cabinet for through-the-wall ducting.

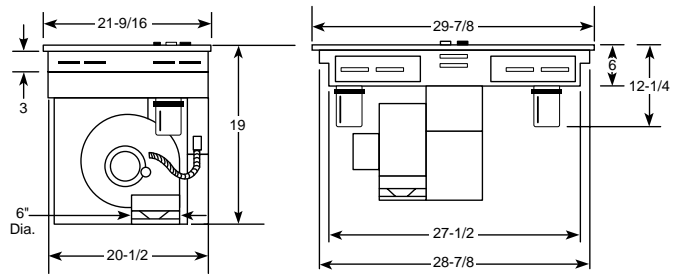
## Peninsula or Island Installation

For peninsula/islands a minimum 26" countertop depth is suggested. Blower should be in vertical position. Island or peninsula cabinets may require adjustment in cutout depth and/or location within the width dimensions. Duct hole is positioned in bottom of cabinet for island or peninsula installation.

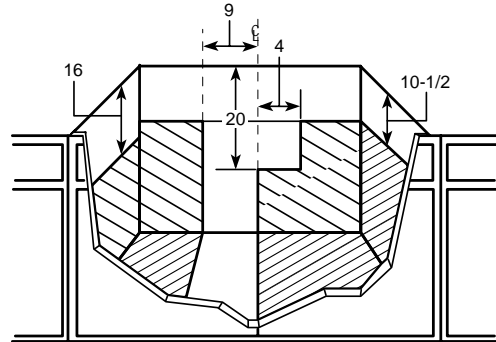
## Slab Installation

For peninsula or island installation and rear wall ducting, PVC duct or locally approved piping should be used if installing under a poured concrete slab.

## Built-In Downdraft Cooktops Dimensions (in inches)

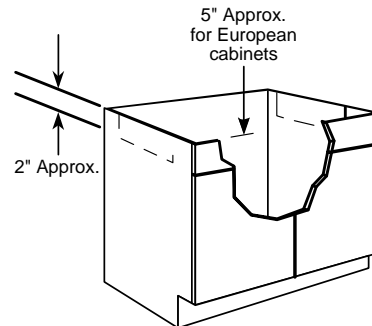


## Cabinet Dimensions (in inches)



## Receptacle Location

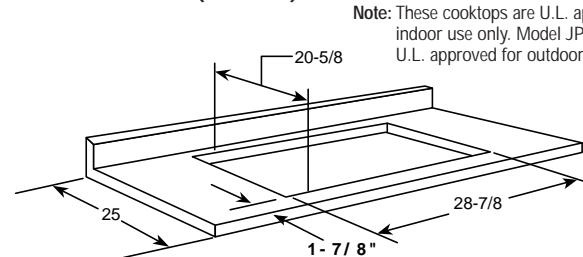
Install an approved junction box within shaded area shown in diagram. Junction box must be at least 10-1/2" below top of cabinet.



## Preparing the Cabinet for Installation

In some cabinets, the sides may need to be scooped or cut down 2" as shown (right) and the corner braces removed in order to accommodate the cooktop.

## Cutout Dimensions (in inches)



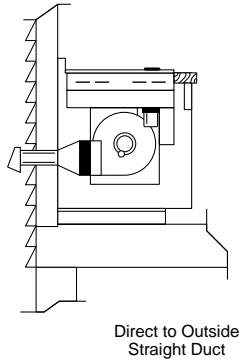
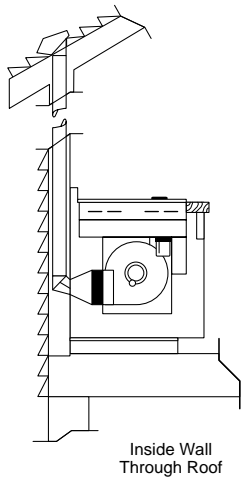
\*U.L. Requirement.

**Note:** A 6" minimum spacing to adjacent side wall is required

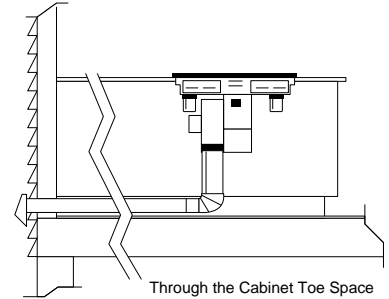
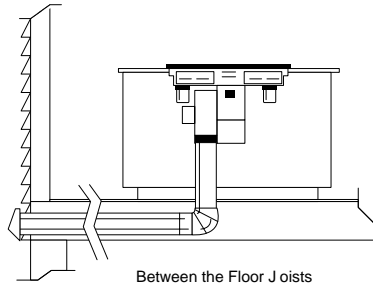
**Installation Information:** Before installing, consult installation instructions packed with product for current dimensional data.

# Select-Top™ Modular Downdraft Cooktops (continued)

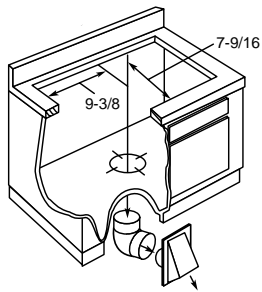
## Venting Options



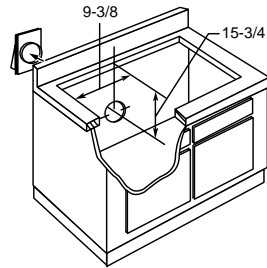
**Note:** Ductwork must be vented to outside. Do not vent into a wall, ceiling, crawl space, attic or any concealed space. Always use an appropriate roof or wall cap with damper. **Laundry-type wall caps should never be used.** For maximum efficiency use the shortest and straightest duct run possible, with as few fittings as possible. For satisfactory performance the duct run should not exceed 100 feet equivalent length. Refer to the table of equivalent lengths (shown in Pub. No. 49-8552) for various duct configurations.



## Downward Venting (in inches)



## Rear Wall Venting (in inches)



## Installing the Ductwork

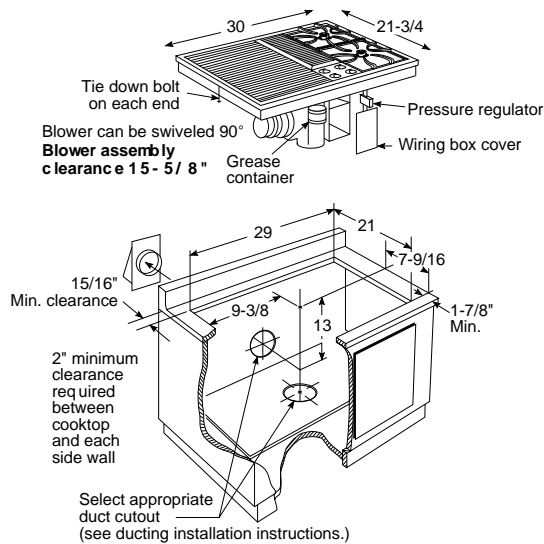
Use minimum 26-gauge galvanized or 24-gauge aluminum duct in 6" round or 3-1/4" x 10" size, or combination of both. **PVC duct or locally approved piping should be used if installing under a poured concrete slab.**

# Built-In Downdraft Gas Modular Cooktops

	GE Profile™
	JGP979SEF JGP979WEF JGP979BEF
<b>Features</b>	
Configuration	Single modular
Cooktop surface	Stainless steel Porcelain Porcelain
Cooktop grates	Black porcelain-coated cast iron
Accepts modules	Left side
Gas cooktop burner module (right side)	2 Sealed
Electronic pilotless ignition	●
Downdraft vent fan	●
Downdraft exhaust (CFM)	375
<b>Appearance</b>	
Color appearance	Stainless steel White on white Black on black
Upfront controls	●
<b>Weight &amp; Dimensions</b>	
Cooktop width (in inches)	30
Overall dimensions (W x D in inches)	30 x 21-3/4
Approx. shipping weight (lbs.)	76
<b>Power/Ratings</b>	
Gas cooktop electrical rating	120V, 60Hz, 15A
BTU's (000's)	Right side (burners) 10.0
Natural gas*	Grill Unit 8.0

\*JGP979 cooktop is factory set for natural gas. It is not LP convertible.  
**Note:** Shipped with sealed gas burner module, right side. Left side accepts optional modules that must be ordered and are available at additional cost.

## Installation Information (in inches)



## Optional Modules (Available at additional cost)

Two-Burner Gas Module (sealed burners)—	Gas Grill Module—JXGG79	Grill Cover—
JXGB79W—White on white	Griddle—JXGL79	JXGC89W—White on white
JXGB79B—Black on black	(use with optional Grill module)	JXGC89B—Black on black

**Note:** Grill and griddle feature Excalibur® non-stick finish.

**Installation Information:** Before installing, consult installation instructions packed with product for current dimensional data.





# 30" Slide-In Electric Ranges

Features	GE Profile™		GE®		
	JS968SF JS968TF JS968KF JS968BF	JSP47WF JSP47CF JSP47BF	JSP34WD JSP34CD JSP34BD	JSP26BD	JSS26BD JSS16PD
Self-clean oven w/Delay clean option	●	●	●	●	Standard Clean
Light self-clean option	●	●			
Variable cleaning time	●	●	●	●	
Automatic self-clean oven door lock	●	●	●	●	
Oven racks	3 Heavy-Duty	2	2	2	2
CleanDesign oven/hidden bake element	●				
TrueTemp™ system	●	●			
Variable broil/Six-pass broil element	●	●			
Ceramic-glass cooktop	Patterned Black True White True Bisque Patterned Black	Patterned White Patterned Bisque Patterned Black			
Overhanging cooktop	●	●	●	●	●
Dual 6/9" heating element	1 Ribbon (2500W)	1 Ribbon (2500W)			
8" heating elements		2 Ribbon (2000W)			
7" heating elements	2 Ribbon (1800W)				
Bridge element	1 Ribbon (800W)				
Total wattage	4400W				
6" heating element	1 Ribbon (1500W)	1 Ribbon (1500W)	2 Plug-In	2 Plug-In	2 Plug-In
Warming zone	1 Ribbon (120W)				
Infinite heat controls	●	●	●	●	●
Precise Air™ Convection System	●				
Convection bake	Multi/Single-rack				
Convection roast	●				
Auto Recipe™ Conversion	●				
SmartSet controls	Glass touch	●	●	●	
Proof mode	●				
Warm mode	●				
Oven meat probe	●				
Optional closed door broiling	●	●			
Temperature display	●	●	●	●	
Start pad	●	●	●	●	
Delay Bake option w/Cook & Hold	●	●	●	●	
C° or F° programmable	●	●	●	●	
Audible preheat signal	●	●	●	●	
Auto oven shut-off w/override	●	●	●	●	
Control lock capability	●	●	●	●	
Electronic clock/kitchen timer	●	●	●	●	●
Hot surface indicator lights	4	4			
Heating element "ON" indicator light	●	●	●	●	●
Certified Sabbath mode	●	●			
Interior oven light	Halogen	●	●	●	●
Storage drawer	Stainless White Bisque Black	White Bisque Black	White Bisque Black	CM*	Black CM*
Broiler pan with grid	●	●	●	●	●
Roasting rack	●				
Convection cookbook	●				
<b>Appearance</b>					
Color appearance*	SS WW CC BB	WW CC BB	WW CC BB	WH/CT	BB WH/CT
Frameless glass oven door*	Stainless White Bisque Black	White Bisque Black	White Bisque Black	CM*	Black Painted
Oven door with window	Big ClearView™	Big ClearView™	●	●	●
Oven door handle	Sculptured Stainless-look Sculptured White Sculptured Bisque Sculptured Black	Sculptured White Sculptured Bisque Sculptured Black	White Bisque Black	Black	Black Painted
<b>Weights &amp; Dimensions</b>					
Overall oven interior dimensions (WxHxD in inches)	24 x 16-1/4 x 18-1/8	24 x 17-1/2 x 18-1/4	22-3/4 x 15-3/4 x 17	22-3/4 x 15-3/4 x 17	22-3/4 x 15-3/4 x 17
Approx. shipping weight (lbs.)	205	200	175	175	160
<b>Power/Ratings</b>					
KW rating @ 240V	12.1	11.6	10.8	10.8	10.8
208V	9.1	8.7	8.1	8.1	8.1
Amps @ 240V	40	40	40	40	40
208V	40	40	40	40	40
Convection Wattage	2500				
Broiler/Bake Wattage	3600/2700	3600/3400	3400/2585	3400/2585	3400/2585

\*SS = Stainless steel with black accents, WW = White with white glass door, CC = Bisque with bisque glass door, BB = Black with black glass door, WH = White with black glass door, CT = Bisque with black glass door, CM = Color-Matched indicates color of drawer matches range cooktop (either white or bisque)

**Note:** Cabinets installed adjacent to slide-in electric ranges must have an adhesion spec of at least a 194°F temperature rating.

**Note:** All 30" Slide-In Ranges conform to U.L. requirements for 0" spacing from range to adjacent walls below countertop. To reduce possibility of scorching the side walls above the countertop when no load is present on burners, it is recommended that a minimum 6" spacing from adjacent side wall be allowed for possible extended high-heat element operation.

**Receptacle Locations:** For all 30" Slide-In Ranges locally approved flexible service cord or conduit must be used because terminals are not accessible after range installation. See shaded area in drawing for location of electrical outlet box. Recommended outlet locations allow range to be installed directly against rear wall.

**Installation Information:** Before installing, consult installation instructions packed with product for current dimensional data.



All GE ranges are equipped with an Anti-Tip device. The installation of this device is an important, required step in the installation of the range.

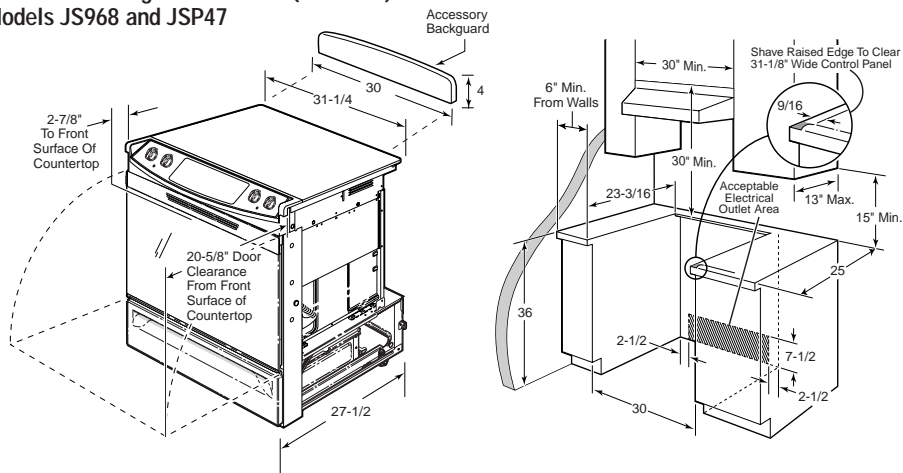


Listed by Underwriters Laboratories

# 30" Slide-In Electric Ranges (continued)

## 30" Slide-In Range Dimensions (in inches)

Models JS968 and JSP47



### Optional Kits for Slide-In Electric Ranges (Models JS968 and JSP47)

(Available at additional cost)

#### Accessory Backguards

(Attaches to the back of range as a backguard when unit is installed in 30" free-standing cutout)

- JXS37WW—White
- JXS37CC—Bisque
- JXS37BB—Black/Stainless

#### Body Sides

(Slide-in ranges are sold without sides installed. Can be installed on either left or right when unit has one exposed side [no cabinet adjacent]. Kit contains 1 body side)

- JXS76WW—White
- JXS76CC—Bisque
- JXS76BB—Black

#### Vertical Side Trim Kits

(If cabinet cutout width is more than 30", a vertical side trim kit may be used to close the gap between the range and cabinet)

- JXS86WW—White
- JXS86CC—Bisque
- JXS86BB—Black

#### Optional Lower Trim Kits

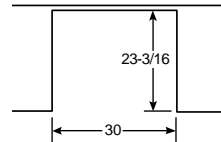
(If counter height is greater than 36.5", a lower trim kit is recommended to extend the useful height to 38" maximum)

- JXS56WW—White
- JXS56CC—Bisque
- JXS56BB—Black

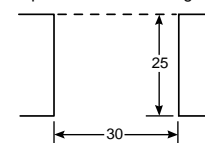
#### Optional Top Filler Kits

- JXS66BB—Black
- JXS66CC—Bisque
- JXS66WW—White

If you are NOT using the optional Filler or Backguard:

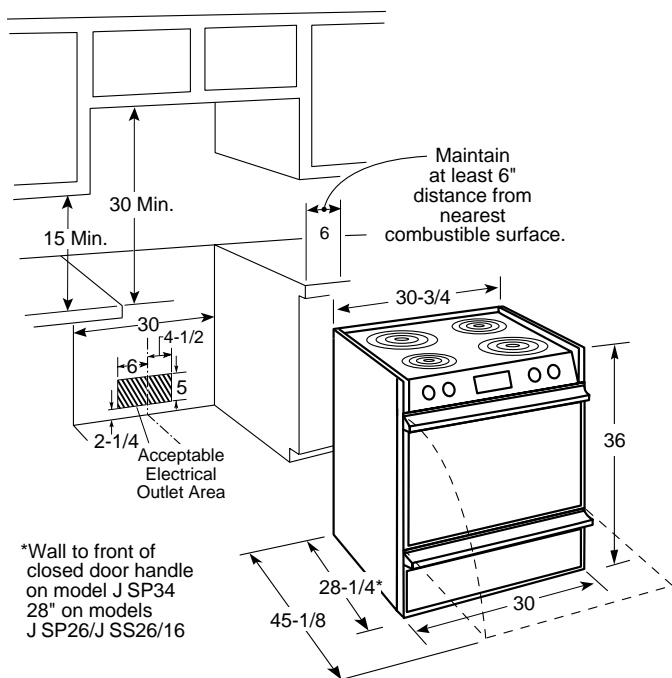


If you are using the optional Filler or Backguard:



## 30" Slide-In Range Dimensions (in inches)

Models JSP34/26 and JSS26/16



**Note:** Range may be placed with 0" clearance (flush) at the back wall and side walls below countertop if the range side trims above the countertop extend beyond the cabinet fronts at least 1/4" (self-clean models only). Maintain at least 6" distance from nearest combustible surface.

See page 156 for warranty information.

### Optional Kits for Slide-In Electric Ranges (Models JSP34/26 and JSS26/16)

(Available at additional cost)

Models shown are shipped with rear filler strip kit.

#### Rear Filler Strip Kit

- JXS28—Rear Filler Strip Kit (Brushed-chrome)

#### Accessory Backguards

- JXS31—White Accessory Backguard
- JXS32—Brushed-Chrome Accessory Backguard
- JXS34—Black Accessory Backguard
- JXS35—Bisque Accessory Backguard

#### Endcap Kit

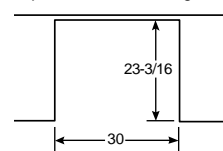
JXS40—Endcap kit to accommodate replacement where countertop may already be notched.

#### Lower/Side Trim Kits

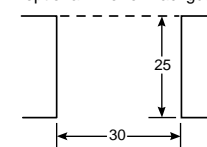
(If countertop height is greater than 37", it is recommended to use a lower trim kit.)

- JXS52BB—Lower trim (Black)
- JXS53WW—Lower trim (White)
- JXS55CC—Lower trim (Bisque)
- Pub. No. 3-A040—Vertical Side Trim Kit (Brushed-Chrome)

If you are NOT using the optional Filler or Backguard:



If you are using the optional Filler or Backguard:



# 30" Slide-In Gas Ranges

Features	GE Profile™			GE®	
	Dual-Fuel	Gas	Gas	Gas	Gas
	J2S968SH J2S968TH J2S968KH J2S968BH	JGS968SH JGS968TH JGS968KH JGS968BH	JGSP48WH JGSP48CH JGSP48BH	JGSP23WEY JGSP23CEY JGSP23BEY	JGSS05BEH
Self-clean oven w/Delay clean option	●	●	●	●	Standard-Clean
Light self-clean option	●	●	●	●	
Variable cleaning time	●	●	●	●	
Automatic self-clean oven door lock	●	●	●	●	
Oven racks	3 Heavy-Duty	3 Heavy-Duty	2 Heavy-Duty	2	
CleanDesign oven/hidden bake element	●	●	●	●	
TrueTemp™ system	●	●	●	●	
Cooktop	Black Glass True White Glass True Bisque Glass Black Glass	Black Glass True White Glass True Bisque Glass Black Glass	Patterned White Glass Patterned Bisque Glass Black Glass	White Porc. Enamel Bisque Porc. Enamel Black Porc. Enamel	Black Porcelain Enamel
Overhanging cooktop	●	●	●	●	
Cooktop burners	Sealed	Sealed	Sealed	Sealed	Sealed
Power Boil™ Burner	(1) 15,000 BTU/ 180° Simmer	(1) 15,000 BTU/ 180° Simmer			
High Output burner (Nat.)	(1) 11,000 BTU/ 150° Simmer	(1) 11,000 BTU/ 150° Simmer	(2) 11,000 BTU/ 150° Simmer		
Precise Simmer burner (Nat.)	(1) 6,000 BTU/ 140° Simmer	(1) 6,000 BTU/ 140° Simmer	(1) 6,000 BTU/ 140° Simmer		
All-purpose burners (Nat.)	(1) 9,100 BTU/ 150° Simmer	(1) 9,100 BTU/ 150° Simmer	(1) 9,100 BTU/ 150° Simmer		
Cooktop grates	Matte Black Hvy-Cast Grey Hvy-Cast Taupe Hvy-Cast Black Hvy-Cast	Matte Black Hvy-Cast Grey Hvy-Cast Taupe Hvy-Cast Black Hvy-Cast	Grey Taupe Black	Grey Standard Cast Black Standard Cast	Black Standard Porcelain Steel
Continuous grates	●	●	●	●	
One-piece drip pans				Porc.-Enameled	
Ignition system	Electronic	Electronic	Electronic	Electronic	Electronic
Infinite heat controls	●	●	●	●	
Precise Air™ convection system					
Convection bake	Single-/Multi-Rack	●	●	●	
Convection roast	●	●	●	●	
Auto Recipe™ conversion	●	●	●	●	
Electronic controls	Glass touch	Glass touch	●	●	
Proof mode	●	●	●	●	
Warm mode	●	●	●	●	
Oven Meat probe	●	●	●	●	
Optional closed door broiling	●	●	●	●	
Temperature display	●	●	●	●	
Delay Bake option	●	●	●	●	
C° or F° programmable	●	●	●	●	
Audible preheat signal	●	●	●	●	
Auto oven shut-off w/override	●	●	●	●	
Control lock capability	●	●	●	●	
Electronic clock/kitchen timer	●	●	●	●	
Certified Sabbath mode	●	●	●	●	
Interior oven light	Halogen	Halogen	●	●	●
Storage drawer	Stainless Steel White Bisque Black	Stainless Steel White Bisque Black	White Bisque Black	White Bisque Black	
Slide-out broiler drawer					●
Broiler pan	●	●	●	●	●
Roasting rack	●	●	●	●	●
Convection cookbook	●	●	●	●	●
<b>Appearance</b>					
Color appearance	SS WW CC BB	SS WW CC BB	WW CC BB	WW CC BB	BB
Frameless oven door	Stainless Steel White Glass Bisque Glass Black Glass	Stainless Steel White Glass Bisque Glass Black Glass	White Glass Bisque Glass Black Glass	White Glass Bisque Glass Black Glass	Black Glass
Oven door with window	Big ClearView™	Big ClearView	Big ClearView	●	●
Sculptured oven door handle	●	●	●	●	
<b>Weights &amp; Dimensions</b>					
Overall oven interior dimensions (WxHxD in inches)	24 x 16-1/4 x 18-1/4	24 x 16-1/4 x 18-1/4	22-3/4 x 13 x 17	22-3/4 x 13 x 17	24 x 17 x 19
Approx. shipping weight (lbs.)	225	220	215	192	165
<b>Power/Ratings</b>					
Top burners (000's BTU's) Nat/LP	(1) 15.0/13.0 (1) 11.0/9.1 (1) 6.0/6.0 (1) 9.1/8.0	(1) 15.0/13.0 (1) 11.0/9.1 (1) 6.0/6.0 (1) 9.1/8.0	(2) 11.0/9.1 (1) 6.0/6.0 (1) 9.1/8.0	(3) 9.5/7.0 (1) 5.0/4.0	(4) 9.0/8.0
Range electrical rating	240v/208v, 60Hz/40A	120v, 60Hz, 5A	120v, 60Hz, 5A	120v, 60Hz, 5A	120v, 60Hz, 5A
Convection Wattage	2,500				
Broiler/Bake Wattage/BTU	3,600/2,700 watts	12,000/15,000 BTU	12,000/15,000 BTU	16,000/16,000 BTU	16,000/16,000 BTU
LP conversion kit (included)	●	●	●	●	●

SS = Stainless steel with black accents, WW = White with white glass door, CC = Bisque with bisque glass door, BB = Black with black glass door  
Factory set for Natural Gas. A set of LP orifices is included with each range for LP conversion.

**Optional Kits for Slide-In Gas Ranges:**  
(Available at additional cost on all models except JGSS05)

**Rear Filler Strip Kits**

Model JGSP23 is shipped with required "vented" rear filler strip.

**Lower/Side Trim Kits**

- JXS52BB—Lower Trim Kit (Black)
- JXS53WW—Lower Trim Kit (White)
- JXS55CC—Lower Trim Kit (Bisque)
- Pub. No. 3-A040 Vertical Side Trim Kit (Brushed-Chrome)

**Accessory Backguards**

- JXS31—White Accessory Backguard
- JXS32—Brushed-Chrome Accessory Backguard
- JXS34—Black Accessory Backguard
- JXS35—Bisque Accessory Backguard

**Endcap Kit**

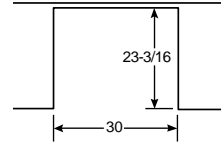
JXS40—Endcap kit to accommodate replacement where countertop may already be notched.

**Optional Gas Range Wok Accessory**

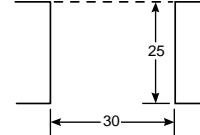
(Available at additional cost)  
JXWK = Wok accessory holder sits on top of burner grate to hold a round-bottom wok.

**Counter Cutout Dimensions (in inches)  
Models J2S968, JGS968, JGSP48  
and JGSP23**

If you are NOT using the optional Filler or Backguard:

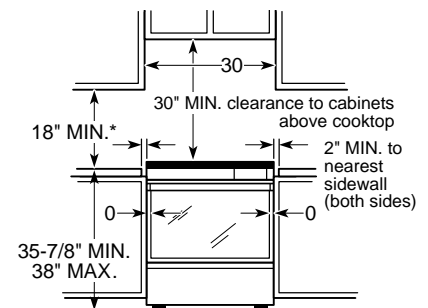


If you are using the optional Filler or Backguard:



You must use the rear filler strip kit shipped with the range or the optional accessory backguard (JXS31, JXS32, JXS33, JXS34) when installing these ranges.

Note: Cabinets installed adjacent to slide-in ranges must have an adhesion spec of at least 194°F temperature rating.



\*ANSI Requirement



All GE ranges are equipped with an Anti-Tip device. The installation of this device is an important, required step in the installation of the range.



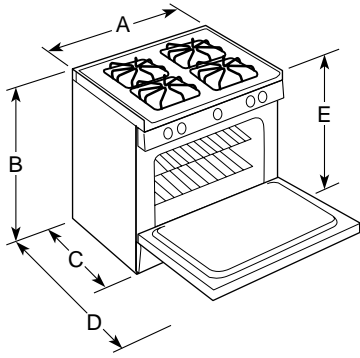
Listed by Underwriters Laboratories

See page 156 for warranty information.



# 30" Slide-In Gas Ranges (continued)

## 30" Slide-In Gas Ranges Dimensions (in inches) Models J2S968, JGS968, JGSP48 and JGSP23



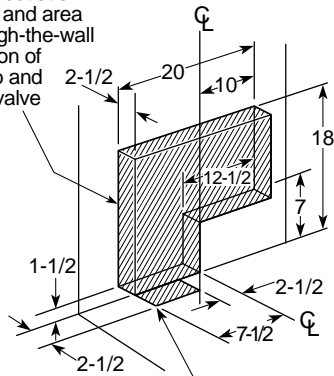
Dimensions (in inches)

Model	A*	B	C**	D	E
J2S968	30	38	28	44-3/4	35-3/4 to 36-1/2
JGS968	30	38	28	44-3/4	35-3/4 to 36-1/2
JGSP48	30	38	28	44-3/4	35-3/4 to 36-1/2
JGSP23	30	36-1/4	28-7/8	45-1/8	35-7/8 to 38

\*Cooktop width including overhang 30-3/4".  
\*\*Depth including handle:  
25-1/2"—Wall to front of closed oven door  
26-1/4"—Depth to front top edge of control panel

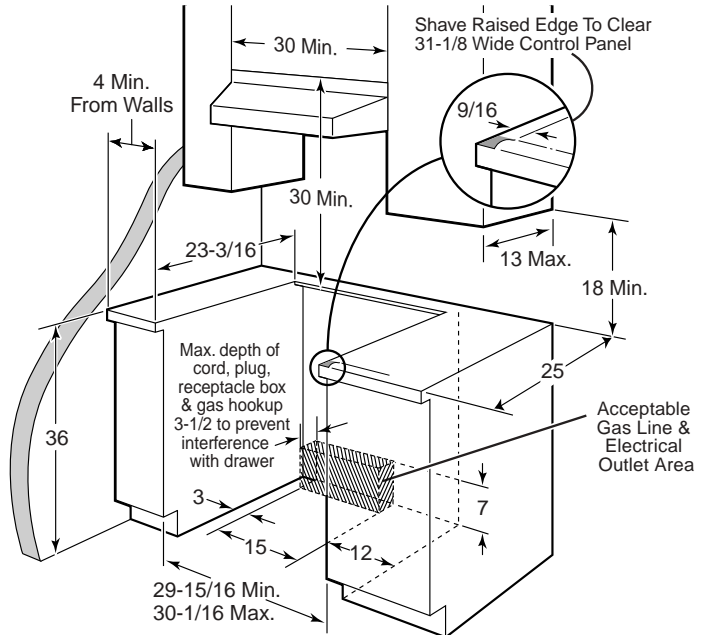
### Model JGSP23

Recommended area for 120V outlet on rear wall and area for through-the-wall connection of pipe stub and shut-off valve

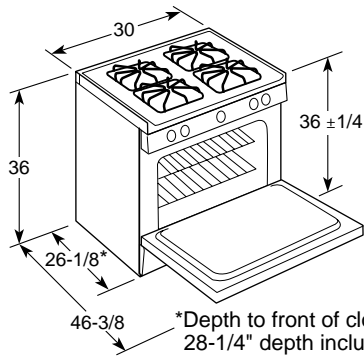


Recommended area for through-the-floor connection of pipe stub and shut-off valve

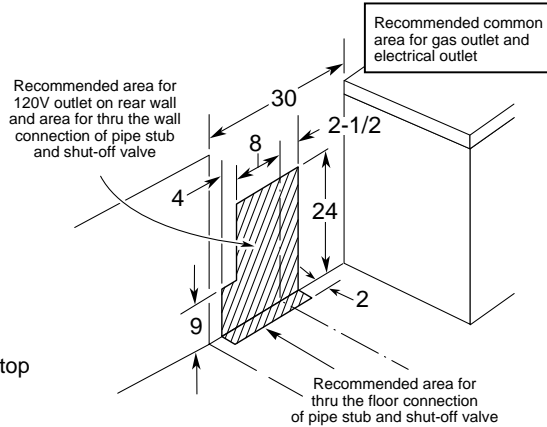
### Models J2S968, JGS968 and JGSP48



## 30" Slide-In Gas Range Dimensions (in inches) Model JGSS05



\*Depth to front of closed oven door  
28-1/4" depth including handle  
25-1/4" depth to front top edge of cooktop



**Installation Information:** Before installing, consult installation instructions packed with product for current dimensional data.

# 30" Drop-In Electric Ranges

Features	GE Profile™		GE®		
	JD968SE JD968TF JD968KF JD968BF	JDP47WF JDP47CF JDP47BF	JDP39WWW JDP39BW	JDP36BW JDP36BD	JDS26BW JDS26BD
Self-clean oven w/Delay clean option	●	●	●	●	Standard-clean
Light self-clean option	●	●			
Variable cleaning time	●	●	●	●	
Automatic self-clean oven door lock	●	●	●	●	
Oven racks	3 Heavy-Duty	2	2	2	2
CleanDesign oven/hidden bake element	●				
TrueTemp™ system	●	●			
Variable broil/Six-pass broil element	●	●			
Ceramic-glass cooktop	Patterned Black True White True Bisque Patterned Black	Patterned White Patterned Bisque Patterned Black			
Dual 6 7/8" heating element	1 Ribbon (2500W)	1 Ribbon (2500W)			
8" heating elements		2 Ribbon (2000W)	2 Plug-In	2 Plug-In	2 Plug-In
7" heating elements	2 Ribbon (1800W)				
Bridge element	1 Ribbon (800W)				
Total wattage	4400W				
6" heating element	1 Ribbon (1500W)	1 Ribbon (1500W)	2 Plug-In	2 Plug-In	2 Plug-In
Warming zone	1 Ribbon (120W)				
Infinite heat controls	●	●	●	●	●
Precise Air™ convection system	●				
Multi-rack convection bake	●				
Single rack convection bake	●				
Convection roast	●				
Auto Recipe™ conversion	●				
SmartSet controls	Glass Touch	●	●	●	●
Proof mode	●				
Warm mode	●				
Oven meat probe	●				
Temperature display	●	●	●	●	●
Delay Bake option	●	●	●	●	●
C° or F° programmable	●	●	●	●	●
Audible preheat signal	●	●	●	●	●
Auto oven shut-off w/override	●	●	●	●	●
Control lock capability	●	●	●	●	●
Electronic clock/kitchen timer	●	●	●	●	●
Hot surface indicator lights	4	4			
Heating element "ON" indicator light	●	●	●	●	●
Certified Sabbath mode	●	●			
Interior oven light	Halogen	●	●	●	●
Broiler pan with grid	●	●	●	●	●
Roasting rack	●				
<b>Appearance</b>					
Color appearance*	SS WW CC BB	WW CC BB	WW BB	WH CT	WH CT
Frameless glass oven door*	Stainless White Bisque Black	White Bisque Black	White Black	Black	Black
Oven door with window	Big ClearView™	Big ClearView	●	●	●
Oven door handle	Sculptured Stainless-look Sculptured White Sculptured Bisque Sculptured Black	Sculptured White Sculptured Bisque Sculptured Black	White Black	Black	Black
Convection cookbook	●				
<b>Weights &amp; Dimensions</b>					
Overall oven interior dimensions (WxHxD in inches)	24 x 16-1/4 x 18-1/4	24 x 17-1/2 x 18-1/4	22-3/4 x 15-3/4 x 17	22-3/4 x 15-3/4 x 17	22-3/4 x 15-3/4 x 17
Approx. shipping weight (lbs.)	175	170			
<b>Power/Ratings</b>					
KW rating @ 240V	12.1	11.6	11.6	11.6	11.6
208V	9.1	8.7	8.7	8.7	8.7
Amps @ 240V	40	40	40	40	40
208V	40	40	40	40	40
Convection Wattage	2500				
Broiler/Bake Wattage	3600/2700	3600/3400	3400/2585	3400/2585	3400/2585

\*\*SS = Stainless steel with black accents, WW = White with white glass door, CC = Bisque with bisque glass door, BB = Black with black glass door, WH = White with black glass door, CT = Bisque with black glass door

### Optional Kits For JD968/JDP47 Electric Ranges (Available At Additional Cost)

#### Maintop Filler (JD968/JDP47)

(Fills gap between cooktop and wall when unit is installed in 30" free-standing cutout)  
 JXS66WW—White  
 JXS66CC—Bisque  
 JXS66BB—Black

#### Accessory Backguards (JD968/JDP47)

(Attaches to the back of range as a backguard when unit is installed in 30" free-standing cutout)  
 JXS37WW—White  
 JXS37CC—Bisque  
 JXS37BB—Black/Stainless

#### Lower Trim Kits (JD968/JDP47)

(When a drop-in is installed in an existing cutout greater than 27-1/4" from the counter to the cabinet cross-rail, a lower trim kit should be used to fill the gap at the bottom of the range)  
 JXS96WW—White  
 JXS96CC—Bisque  
 JXS96BB—Black

**Note:** Cabinets installed adjacent to drop-in electric ranges must have an adhesion spec of at least a 194°F temperature rating.

**Note:** All 30" Drop-In Radiant Ranges conform to U.L. requirements for 0" spacing from range to adjacent walls below countertop. To reduce possibility of scorching the side walls above the countertop when no load is present on burners, it is recommended that a minimum 6" spacing from adjacent side wall be allowed for possible extended high-heat element operation.

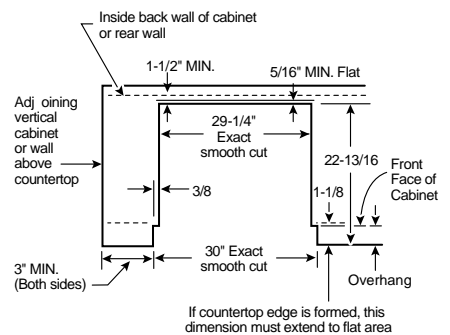
**Installation Information:** Before installing, consult installation instructions packed with product for current dimensional data.

**IMPORTANT:** 30" DROP-IN RANGES ARE DESIGNED TO HANG FROM THE COUNTERTOP. IT DOES NOT REST ON THE FLOOR. FOR INSTALLATION ALTERNATIVES, REFER TO INSTALLATION INSTRUCTIONS PACKED WITH PRODUCT.



All GE ranges are equipped with an Anti-Tip device. The installation of this device is an important, required step in the installation of the range.

### Countertop Cutout—Top View Models JDP39/36 and JDS26



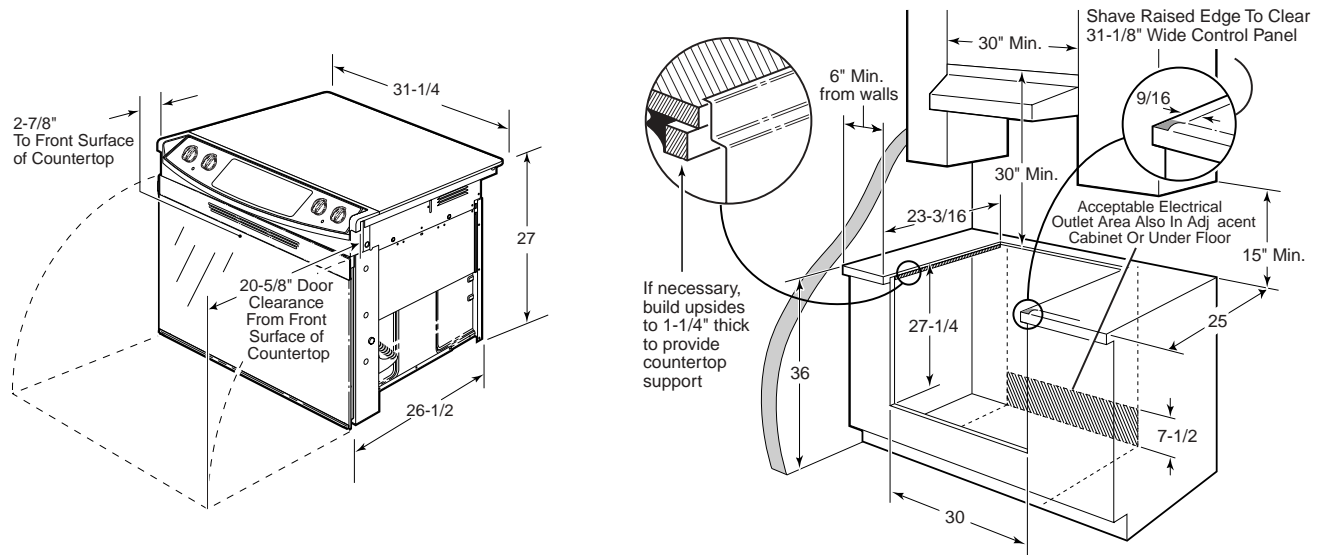
Drop-in ranges are not approved for installation with a plug and receptacle. They must be hard wired in accordance with installation instructions.



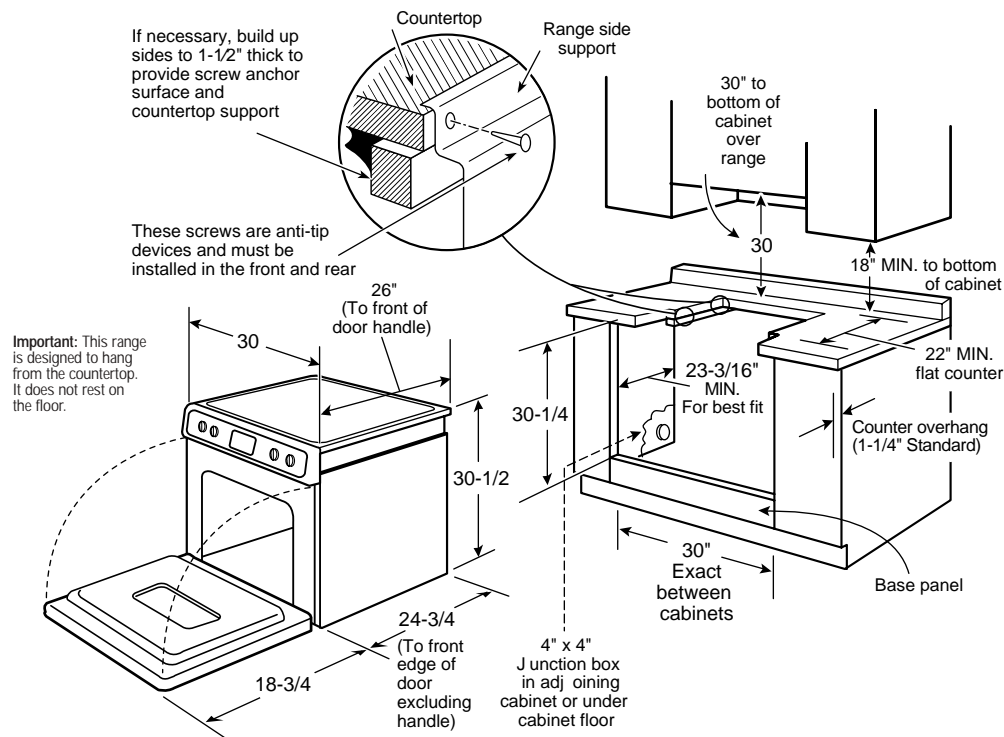
Listed by Underwriters Laboratories

# 30" Drop-In Electric Ranges (continued)

## 30" Drop-In Range Dimensions (in inches) Models JD968 and JDP47



## 30" Drop-In Range Dimensions (in inches) Models JDP39/36 and JDS26





# Spacemaker™ 27" Drop-In Electric Ranges

Features	GE Profile™	GE®	
	JMP31WC	JMP28BC JMP28BD	JMS08BD
Oven cleaning	Self-Clean	Self-Clean	Standard Clean
Variable cleaning time	●	●	
Automatic self-clean oven door lock	●	●	
Oven racks	2	2	2
Lift-up overhanging cooktop	White Porcelain-Enameled	White Porc.-Enam. Bisque Porc.-Enam.	White or Bisque Porcelain-Enameled
8" heating elements	1	1	1
6" heating elements	3	3	3
Plug-in Calrod® heating elements	●	●	●
Infinite heat controls	●	●	●
Removable one-piece drip bowls	Chrome	Chrome	Chrome
Electronic clock and kitchen timer	●	●	●
Delay Bake option	●	●	●
Auto oven shut-off	●	●	●
Electronic oven control	●	●	●
Heating element "ON" indicator light	●	●	●
Interior oven light	●	●	●
Broiler pan with grid	●	●	●
<b>Appearance</b>			
Color appearance*	WW	WH CT	WH/CT
Frameless oven door	White Glass	Black Glass	Black Glass
Oven door with window	Big View	Big View	Big View
Lift-off oven door	●	●	●
Designer-style handle	Sure Grip	●	●
<b>Weights &amp; Dimensions</b>			
Overall oven interior dimensions (WxHxD in inches)	19 x 15 x 18		
Approx. shipping weight (lbs.)	119	119	119
<b>Power/Ratings</b>			
KW rating @ 240V	9.8	9.8	10.1
208V	7.3	7.3	7.6
Amps @ 240V	40	40	40
208V	40	40	40

\*WW = White with white glass door, WH = White with black glass door, CT = Bisque with black glass door

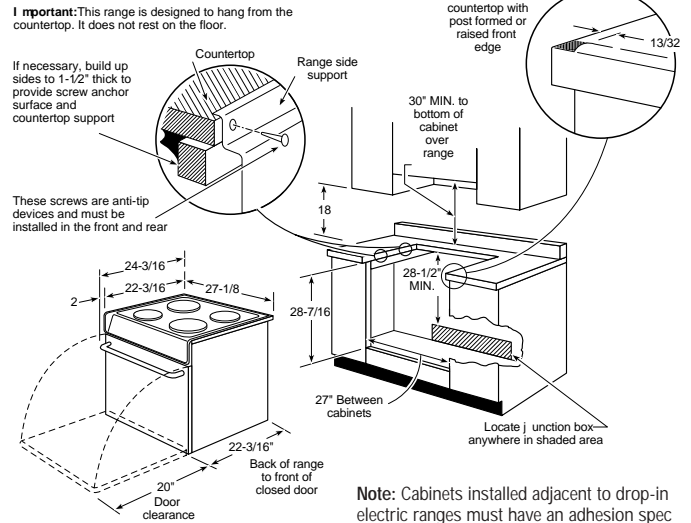
### Optional Backguard

(Available at additional cost)  
 JX27RBK = Black  
 JX27RWH = White

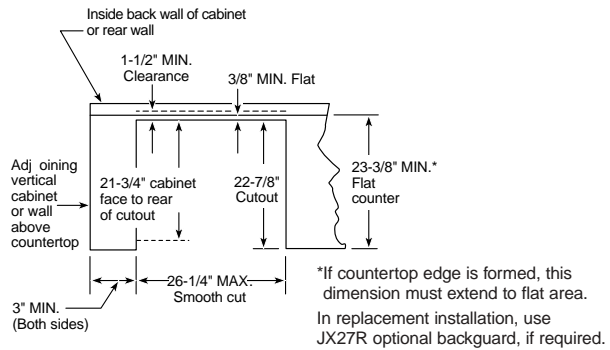
**Note:** All 27" Drop-In Electric Ranges conform to U.L. requirements for minimum spacing between range and side wall below countertop.

**Installation Information:** Before installing, consult installation instructions packed with product for current dimensional data.

### 27" Drop-In Range Dimensions (in inches)



### Countertop Cutout—Top View



# Installation/Specifications for 30" Free-Standing CleanDesign Electric Ranges

### Cabinet Dimensions (in inches)

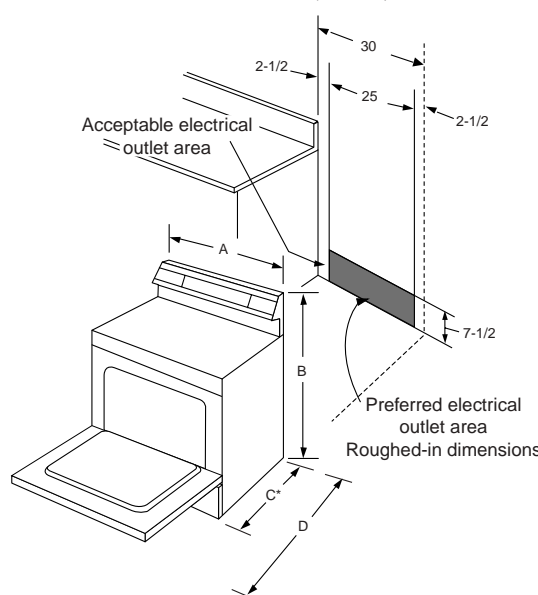
Model	A	B	C*	D
JB988	29-7/8	46-1/2	25-3/8	47-5/8
JB968	29-7/8	46-1/2	25-3/8	47-5/8
JB905	29-7/8	46-1/2	25-3/8	47-5/8
JBP84	29-7/8	46-7/8	25-3/8	47-5/8
JBP82	29-7/8	46-7/8	25-3/8	47-5/8
JBP80	29-7/8	46-7/8	25-3/8	47-5/8
JBP69	29-7/8	46-7/8	25-3/8	47-5/8
JBP66	29-7/8	46-7/8	25-3/8	47-5/8
JBP64	29-7/8	46-7/8	25-3/8	47-5/8

\*Dimension from wall to front of closed oven door handle is 27-3/8" on models JB988, 968, 905 and JBP84, 82, 80; and 27-3/4" on models JBP69/68/66/64.

**Note:** Conforms to U.L. requirements for 0" spacing for adjacent walls below countertops. To reduce possibility of scorching of walls, it is recommended a minimum of 1-1/2" spacing be allowed from adjacent side walls to allow for possible extended, high-heat, no-load heating element operation.

**Receptacle Locations:** For 30" Free-Standing Ranges locally approved flexible service cord or conduit must be used because terminals are not accessible after range installation. See shaded area drawing for location of electrical outlet box. Recommended outlet locations allow range to be installed directly against wall.

### Dimensions and Installation Information (in inches)



All GE ranges are equipped with an Anti-Tip device. The installation of this device is an important, required step in the installation of the range.

**Electric Free-Standing Range Anti-Tip Bracket (Part No. 164D3799P002)**  
 JB988/968/905, JBP84/82/80/69/66/64/48/35/26/24/21, JBS15  
**Anti-Tip Bracket (Part No. 183D6270P001)**  
 JBS27/26/07/03



Listed by Underwriters Laboratories

# 30" Free-Standing CleanDesign Electric Ranges

Features	GE Profile™			GE®					
	JB988SH JB988TH JB988KH JB988BH	JB968SH JB968TH JB968KH JB968BH	JB905SH JB905TH JB905KH JB905BH	JBP84SH JBP84TH JBP84WH JBP84KH JBP84CH JBP84BH	JBP82SH JBP82TH JBP82WH JBP82KH JBP82CH JBP82BH	JBP80SH JBP80TH JBP80WH JBP80KH JBP80CH JBP80BH	JBP69SH JBP69WH JBP69CH JBP69BH	JBP66SH JBP66WH JBP66CH JBP66BH	JBP64SH JBP64WH JBP64BH
Self-clean oven	Convection	Convection	●	Convection	●	●	●	●	●
Self-clean latch	Auto	Auto	Auto	Auto	Auto	●	●	●	●
Oven capacity (cu. ft.)	4.5	4.5	5.0	4.5	5.0	5.0	5.0	5.0	5.0
CleanDesign w/hidden bake element	●	●							
Oven racks	3 Heavy-duty	3 Heavy-duty	2 Heavy-duty	3	2	2	2	2	2
Self-clean oven racks	●	●							
Ceramic-glass cooktop	Black True white True bisque Black	Black True white True bisque Black	Black True white True bisque Black	Black True white Patterned white True bisque Patterned bisque Black	Black True white Patterned white True bisque Patterned bisque Black	Black True white Patterned white True bisque Patterned bisque Black	Black Patterned white Patterned bisque Black	Black Patterned white Patterned bisque Black	Black Patterned white Black
One-piece upswept cooktop	●	●	●	●	●	●	●	●	●
Tri 5 7/8" Ribbon heating element	1 (2500W)								
Dual 6 7/8" Ribbon heating element		1 (1000/2500W)	1 (1000/2500W)	1 (1000/2500W)	1 (1000/2500W)	1 (1000/2500W)	1 (1000/2500W)		
8" Ribbon heating element	1 (2000W)		1 (2000W)			1 (2000W)	1 (2000W)	2 (2000W)	2 (2000W)
7" Ribbon heating element		2 (1800W)		2 (1800W)	2 (1800W)				
Bridge element		1 (800W)		1 (800W)	1 (800W)				
Total wattage		4400		4400	4400				
6" Ribbon heating element	3 (1500W)	1 (1500W)	2 (1500W)	1 (1500W)	1 (1500W)	2 (1500W)	2 (1500W)	2 (1500W)	2 (1500W)
6" Warming zone	4 cook/warm (1) 8" and (3) 6"	1 (120W)	1 (120W)	1 (120W)	1 (120W)	1 (120W)			
Infinite heat controls		●	●	●	●	●	●	●	●
TrueTemp™ system	●	●	●	●	●	●	●	●	●
Six-pass power bake element	●	●	●	●	●	●	●	●	●
True European convection	Precise Air™	Precise Air™							
Convection bake	Multi-/Single-rack	Multi-/Single-rack							
Convection roast	●	●		●					
Surface unit controls	Digital glass touch	Knob	Knob	Knob	Knob	Knob	Knob	Knob	Knob
QuickSet oven controls	Precise Digital Control System™	QuickSet VI glass touch	QuickSet VI glass touch	QuickSet V	QuickSet IV	QuickSet IV	QuickSet IV	QuickSet IV	QuickSet III
Proof mode/Warm mode	●/●	●/●	-/●						
Digital temperature display	●	●	●	●	●	●	●	●	●
Oven function icons	●	●	●	●	●	●	●	●	●
Digipad numeric entry	●	●	●	●	●	●	●	●	●
Delay bake	●	●	●	●	●	●	●	●	●
Oven light pad	●	●	●	●	●	●	●	●	●
Control lock capability	Oven/Cooktop	Oven	Oven	Oven	Oven				
Self-clean cool-down time display	●	●	●	●	●	●	●	●	●
Light self-clean option	●	●	●	●	●	●	●	●	●
Delay clean option	●	●	●	●	●	●	●	●	●
Auto oven shut-off	w/override	w/override	w/override	w/override	w/override	w/override	w/override	w/override	w/override
Certified Sabbath mode	●	●	●	●	●	●	●	●	●
Audible preheat signal	●	●	●	●	●	●	●	●	●
Dual element bake	●	●	●	●	●	●	●	●	●
Oven meat probe	●	●	●	●	●	●	●	●	●
Hot surface lights	cooktop	cooktop	cooktop	●	●	●	●	●	●
Oven "ON" light	●	●	●	●	●	●	●	●	●
Self-clean cycle light	●	●	●	●	●	●	●	●	●
Interior oven light	Auto/Pad	Auto/Pad	Auto/Pad	Pad	Pad	Pad	Pad	Pad	Pad
Storage drawer	Stainless steel White Bisque Black	Stainless steel White Bisque Black	Stainless steel White Bisque Black	Stainless steel White White Bisque Bisque Black	Stainless steel White White Bisque Bisque Black	Stainless steel White White Bisque Bisque Black	Stainless steel White Bisque Black	Stainless steel White Bisque CM*	Stainless steel White CM*
Broiler pan	●	●	●	●	●	●	●	●	●
Roasting rack	●	●							
Convection cookbook	●	●							
<b>Appearance</b>									
Color appearance*	SS WW CC BB	SS WW CC BB	SS WW CC BB	SS WW WW CC CC BB	SS WW WW CC CC BB	SS WW WW CC CC BB	SS WW CC BB	SS WW CC WH/CT	SS WW WH/CT
Frameless glass oven door	Stainless steel White Bisque Black	Stainless steel White Bisque Black	Stainless steel White Bisque Black	Stainless steel White White Bisque Bisque Black	Stainless steel White White Bisque Bisque Black	Stainless steel White White Bisque Bisque Black	Stainless steel White Bisque Black	Stainless steel White Bisque Black	Stainless steel White Black
Oven door with window	Big ClearView™	Big ClearView	Big ClearView	Big ClearView	Big ClearView	Big ClearView	Big ClearView	Big ClearView	ClearView
Designer-style handle	Sculptured	Sculptured	Sculptured	●	●	●	●	●	●
<b>Weights &amp; Dimensions</b>									
Overall oven interior dimensions (WxHxD in inches)	24-1/4 x 19 x 17			24-1/4 x 19 x 19					
Approx. shipping weight (lbs.)	215	210	205	205	198	198	175	175	174
<b>Power/Ratings</b>									
KW rating @ 240V	13.0	12.4	11.6	12.4	11.0	11.0	10.5	10.5	10.5
208V	10.9	10.6	9.8	9.3	8.3	8.3	7.9	7.9	7.9
Amp rating @ 240V / 208V	40	40	40	40	40	40	40	40	40

\*SS = Stainless steel with black accents, WW = White with white glass door, CC = Bisque with bisque glass door, BB = Black with black glass door, WH = White with black glass door, CT = Bisque with black glass door, CM = Color-Matched indicates color of drawer matches range cooktop (either white or bisque).

All ranges are shipped with cooktop cleaning creme & pad.

# 30" Free-Standing QuickClean™ Electric Ranges

	GE Profile™		GE®						
	JBP48WH JBP48CH JBP48BH	JBP35SH JBP35WH JBP35CH JBP35EH JBP35BH	JBP26WH JBP26CH JBP26BH	JBP24WH JBP24BH	JBP21WH JBP21BH	JBS27SH JBS27WH JBS27CH JBS27BH	JBS07H	JBS15H	JBS03BH JBS03H
<b>Features</b>									
Oven cleaning	Self-Clean	Self-Clean	Self-Clean	Self-Clean	Self-Clean	Standard	Standard	Standard	Standard
Oven capacity (cu. ft.)	5.0	5.0	5.0	5.0	5.0	5.0	5.0	5.0	5.0
Oven racks	2	2	2	2	2	2	2	2	2
Upswept porcelain-enameled cooktop	●	●	●	●	●	●	●	●	●
Clean-Well™ cooktop system	●	●	●	●	●	●	●	●	●
Lift-up cooktop w/dual support rods	●	●	●	●	●	●	●	●	●
8" heating elements	2 (6 turns)	2 (6 turns)	2 (5 turns)	2 (5 turns)	2 (5 turns)	2 (5 turns)	1 (5 turns)	1 (5 turns)	1 (5 turns)
6" heating elements	2 (5 turns)	2 (5 turns)	2 (4 turns)	2 (4 turns)	2 (4 turns)	2 (4 turns)	3 (4 turns)	3 (4 turns)	3 (4 turns)
Warming option	●								
Infinite heat controls	●	●	●	●	●	●	●	●	●
Plug-in Calrod® heating elements	●	●	●	●	●	●	●	●	●
Removable 1-piece drip bowls	Grey Black Black	Black Grey Black Black Black	Chrome	Chrome	Chrome	Black Chrome Chrome Black	Chrome	Chrome	Chrome
TrueTemp™ system	●	●	●						
SmartLogic™ controls	●	●	●						
Six-pass power bake element	●	●	●						
Convenience controls	●	●	●	●	●				
QuickSet oven controls	QuickSet V	QuickSet IV	QuickSet III	QuickSet III	QuickSet III				
Digital temperature display	●	●	●	●	●				
Electronic oven controls	●								
Auto oven shut-off	w/override	w/override	w/override	w/override	w/override				
Delay bake		●							
Control lock capability	●								
Oven light pad		●	●	●					
Start pad	●								
Delay clean option	●	●	●						
Auto self-clean	●	●	●	●	●				
Self-clean cool down display	●	●	●	●	●				
Audible preheat signal	●	●	●	●	●				
Certified Sabbath mode	●	●	●	●	●				
Clock and minute timer	●	●	●	●	●	●			
Dual element bake	●	●	●	●	●	●	●	●	●
Heating element "ON" indicator light	●	●	●	●	●	●	●	●	●
Interior oven light	Auto/Switch	Pad	Pad	Pad	Pad	Switch	Switch	Switch	
Preheated oven light	Display	●	●	●	●				
Removable full-width storage drawer	White Bisque Black	Stainless steel CM* CM* CM* CM*	White Bisque Black	White CM*	White CM*	Stainless steel CM* CM* CM*	White / Bisque	CM*	CM*
Broiler pan	●	●	●	●	●	●	●	●	●
<b>Appearance</b>									
Color appearance*	WW CC BB	SS WW CC BB WH/CT	WW CC BB	WW WH/CT	WW WH/CT	SS WW CC BB	WW/CC	WW/CC	WH/CT WH/CT
Frameless glass oven door*	White Bisque Black	Stainless steel White Bisque Black Black	White Bisque Black	White Black	White Black	Stainless steel White Bisque Black	Porcelain CM*	Porcelain CM*	Black Glass Porcelain CM*
Oven door with window	Big ClearView	Big ClearView	ClearView	ClearView	ClearView	ClearView	ClearView	ClearView	
Removable oven door	●	●	●	●	●	●	●	●	●
Designer-style handle	Sculptured	●	●	●	●	●	●	●	● Visor
Textured steel side panels	●	●	●	●	●	●	●	●	●
<b>Weights &amp; Dimensions</b>									
Overall oven interior dimensions (WxHxD in inches)	← 24-1/4 x 19 x 19 →				← 23-3/4 x 19 x 18-1/2 →			22-3/4 x 15-3/4 x 17	23-3/4 x 19 x 18-1/2
Approx. shipping weight (lbs.)	176	173	172	170	144	158	141	157	154
<b>Power/Ratings</b>									
KW rating @ 240V	11.7	11.7	11.7	11.7	11.7	12.6	11.5	11.2	11.4
208V	8.8	8.8	8.8	8.8	8.1	9.9	9.1	6.9	9.0
Amp rating @ 240V / 208V	40	40	40	40	40	40	40	40	40

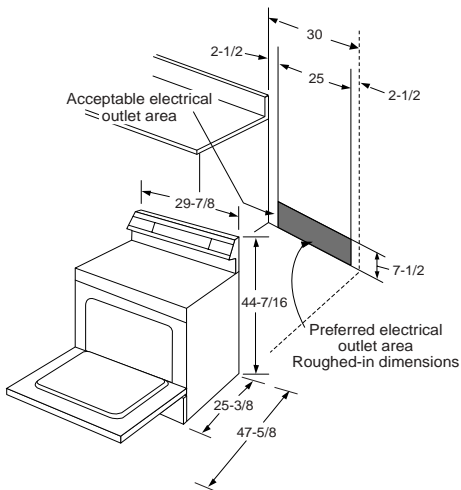
\*WW = White with white door, CC = Bisque with bisque door, BB = Black with black door, WH = White with black door, CT = Bisque with black door, CM = Color-Matched indicates color of oven door or storage drawer matches range cooktop (either white, black, bisque or almond).



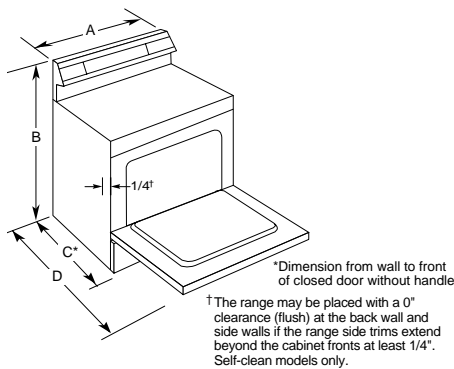


# 30" Free-Standing QuickClean Electric Ranges (continued)

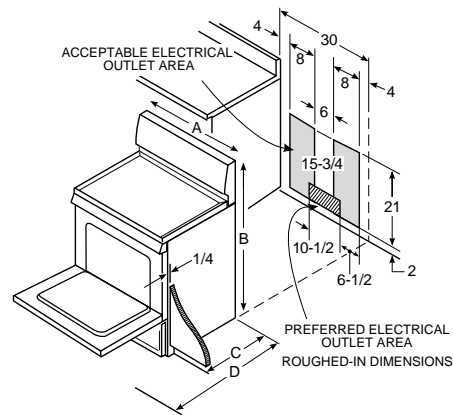
## Dimensions and Installation Information (in inches) for Models JBP48/35/26/24



## Dimensions and Installation Information (in inches) for Models JBP21 and JBS27/07/03



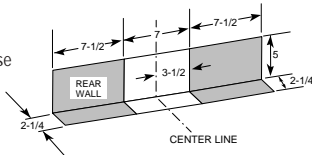
## Dimensions and Installation Information (in inches) for Model JBS15



**Note:** 30" ranges conform to U.L. requirements for 0" spacing from adjacent walls below countertops. To reduce possible scorching of walls, engineering recommends a minimum of 1-1/2" spacing to allow for possible extended, high heat, no-load heating element operation.

### Receptacle Locations:

Locally approved flexible service cord or conduit must be used because terminals are not accessible after range installation. See shaded area in drawing for location of electrical outlet box. Recommended outlet locations allow range to be installed directly against wall.



### Cabinet Dimensions (in inches)

Model	A	B	C*	D
JBP21	29-7/8	46-7/8	26-3/8	46-3/8
JBS27	29-7/8	46-7/8	26-1/4	46-1/4
JBS07	29-7/8	46-7/8	26-1/4	46-1/4
JBS15	29-7/8	46-7/8	26-1/4	46-1/4
JBS03BH	29-7/8	46-7/8	26-3/8	46-3/8
JBS03H	29-7/8	46-7/8	26-1/4	46-1/4

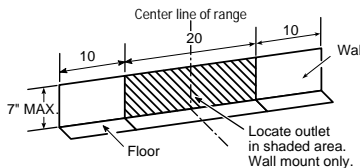
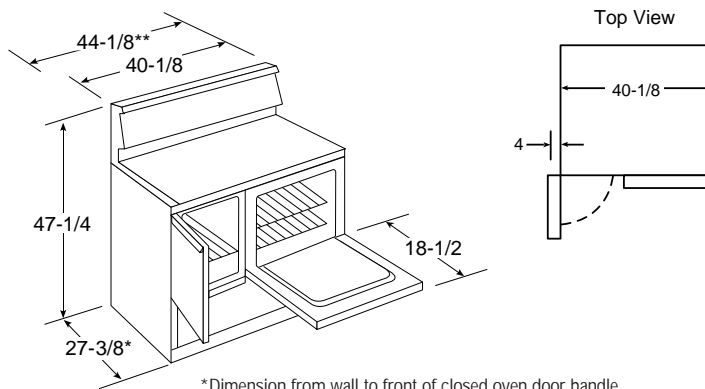
\*Dimension from wall to front of closed oven door handle is 28-1/2" on model JBS27/03BH; 28-3/8" on JBS07; 28" on JBS03H; 27-1/8" on JBS15H.

# 40" Electric Ranges

	GE	
	JCP67F	JCS57F
<b>Features</b>		
Oven cleaning	Master Oven—Self-Clean Companion Oven—Standard	Standard
Oven racks	Master Oven—2 Companion Oven—1	Master Oven—2
8" heating elements	2	2
6" heating elements	2	2
Removable drip bowls	One-Piece Chrome	One-Piece Chrome
Clock and minute timer	Electronic	Electronic
Automatic oven timer	Master	
Heating element "ON" indicator light	●	●
Interior oven light	●	●
Oven cycling light	2	●
Storage drawer	●	●
Broiler pan	Master Oven—1 Companion Oven—1	Master Oven—1
<b>Appearance</b>		
Color appearance*	WW	WW
Oven door with window	Master Oven	●
<b>Weights &amp; Dimensions</b>		
Overall oven interior dimensions (WxHxD in inches)	Master Oven—22-5/8 x 15-7/8 x 18-1/8 Companion Oven—9-9/16 x 16 x 19-1/2	22-5/8 x 15-7/8 x 18-1/8
Approx. shipping weight (lbs.)	224	197
<b>Power/Ratings</b>		
KW rating @ 240V	14.2	12.6
208V	10.7	9.5
Amp rating 240V / 208V	40	40

\*WW = White on white.

## 40" Range Dimensions and Installation Information (in inches)



**Receptacle Locations:** For all 40" Free-Standing Ranges locally approved flexible service cord or conduit must be used because terminals are not accessible after range installation. See shaded area in drawing for location of electrical outlet box. Recommended outlet locations allow range to be installed directly against rear wall.



All GE ranges are equipped with an Anti-Tip device. The installation of this device is an important, required step in the installation of the range.

### Electric Free-Standing Range

Anti-Tip Bracket (Part No. 164D3799P002)

JB988/968/905, JBP84/82/80/69/66/64/48/35/26/24/21, JBS15

Anti-Tip Bracket (Part No. 183D6270P001)

JBS27/26/07/03

**Installation Information:** Before installing, consult installation instructions packed with product for current dimensional data.

See page 156 for warranty information.

# 30" Self-Clean Gas Ranges

	GE Profile™					GE®		
	Sealed Burner Models				Dual-Fuel Model	Sealed Burner Models		
	JGB920SEF JGB920TEF JGB920KEF JGB920BEF	JGB915SEF JGB915WEF JGB915CEF JGB915BEF	JGB905SEF JGB905WEF JGB905CEF JGB905BEF	JGB900SEF JGB900WEF JGB900CEF JGB900BEF	J2B915SEH J2B915WEH J2B915CEH J2B915BEH	JGBP90MEH	JGBP85SEH JGBP85WEH JGBP85CEH JGBP85BEH	JGBP80SEH JGBP80WEH JGBP80CEH JGBP80BEH
<b>Capacity</b>	Super-Large 5.0 cu. ft.				Super-Large 5.0 cu. ft.	Extra-Large 4.8 cu. ft.	Extra-Large 4.8 cu. ft.	Extra-Large 4.8 cu. ft.
<b>Features</b>								
Oven cleaning	Self-Clean	Self-Clean	Self-Clean	Self-Clean	Self-Clean	Self-Clean	Self-Clean	Self-Clean
Gas on glass ceramic cooktop	Black True white True bisque Black							
Deep recessed porcelain cooktop		●	●	●	●			
Cooktop burners	Sealed	Sealed	Sealed	Sealed	Sealed	Sealed	Sealed	Sealed
Power Boil™ burner (Nat.)	(1) 15,000 BTU/ 180° Simmer	(1) 15,000 BTU/ 180° Simmer	(1) 15,000 BTU/ 180° Simmer	(1) 15,000 BTU/ 180° Simmer	(1) 15,000 BTU/ 180° Simmer			
High Output burner (Nat.)	(1) 11,000 BTU/ 150° Simmer	(1) 11,000 BTU/ 150° Simmer	(1) 11,000 BTU/ 150° Simmer	(1) 11,000 BTU/ 150° Simmer	(1) 11,000 BTU/ 150° Simmer	(2) 12,000/ 1,000 BTU	(2) 12,000/ 1,000 BTU	(2) 12,000/ 1,000 BTU
Precise Simmer burner (Nat.)	(1) 5,000 BTU/ 140° Simmer	(1) 5,000 BTU/ 140° Simmer	(1) 5,000 BTU/ 140° Simmer	(1) 5,000 BTU/ 140° Simmer	(1) 5,000 BTU/ 140° Simmer	(1) 5,000/600 BTU	(1) 5,000/600 BTU	(1) 5,000/600 BTU
All-purpose burners (Nat.)	(1) 9,100 BTU/ 150° Simmer	(1) 9,100 BTU/ 150° Simmer	(1) 9,100 BTU/ 150° Simmer	(1) 9,100 BTU/ 150° Simmer	(1) 9,100 BTU/ 150° Simmer	(1) 9,500/850 BTU	(1) 9,500/850 BTU	(1) 9,500/850 BTU
Valves (degree of turn)	270	270	270	270	270	270	270	270
TrueTemp™ system	●	●	●	●	●	●	●	●
Electronic controls	●	●	●	●	●	●	●	●
Convection bake/roast	●	●	●	●	Electric	●	●	●
QuickSet oven controls	QuickSet VI glass touch†	QuickSet VI glass touch†	QuickSet V	QuickSet V	QuickSet VI glass touch†	QuickSet V	QuickSet V	QuickSet IV
Auto Self-Clean	●	●	●	●	●	●	●	●
Electronic oven control	●	●	●	●	●	●	●	●
Hi/Low broil	●	●	●	●	●	●	●	●
Electronic clock and timer	●	●	●	●	●	●	●	●
Automatic oven timer	●	●	●	●	●	●	●	●
Audible preheat signal	●	●	●	●	●	●	●	●
Oven meat probe	●	●	●	●	●	●	●	●
Auto oven shut-off	●	●	●	●	●	●	●	●
Certified Sabbath mode	●	●	●	●	●	●	●	●
Auto Recipe™ conversion	●	●	●	●	●	●	●	●
Control lock capability	●	●	●	●	●	●	●	●
One-piece upswept cooktop	Porc.-Enam.	Porc.-Enam.	Porc.-Enam.	Porc.-Enam.	Porc.-Enam.	Porc.-Enam.	Porc.-Enam.	Porc.-Enam.
Porcelain-enameled one-piece drip pans						Black Grey Taupe Black	Black Grey Taupe Black	Black Grey Taupe Black
Removable grates	Matte Black Hvy.-Cast Grey Hvy.-Cast Taupe Hvy.-Cast Black Hvy.-Cast	Matte Black Hvy.-Cast Grey Hvy.-Cast Taupe Hvy.-Cast Black Hvy.-Cast	Matte Black Hvy.-Cast Grey Hvy.-Cast Taupe Hvy.-Cast Black Hvy.-Cast	Matte Black Hvy.-Cast Grey Hvy.-Cast Taupe Hvy.-Cast Black Hvy.-Cast	Matte Black Hvy.-Cast Grey Hvy.-Cast Taupe Hvy.-Cast Black Hvy.-Cast	Matte Black Hvy.-Cast Grey Hvy.-Cast Taupe Hvy.-Cast Black Hvy.-Cast	Black Hvy.-Cast Grey Hvy.-Cast Taupe Hvy.-Cast Black Hvy.-Cast	Black Hvy.-Cast Grey Hvy.-Cast Taupe Hvy.-Cast Black Hvy.-Cast
Continuous grates	Dishwasher-safe	Dishwasher-safe	Dishwasher-safe	Dishwasher-safe	Dishwasher-safe	●	●	●
Ignition system	Electronic	Electronic	Electronic	Electronic	Electronic	Electronic	Electronic	Electronic
Oven racks	3	3	2	2	3	2	2	2
Six embossed rack positions	●	●	●	●	●	●	●	●
Broiler pan	●	●	●	●	●	●	●	●
Scratch-resistant backguard	Stainless steel Glass	Stainless steel Glass	Stainless steel Porc.-Enam.	Stainless steel Porc.-Enam.	Stainless steel Glass	Soft Stainless	Stainless steel Porc.-Enam.	Stainless steel Porc.-Enam.
Interior oven light	●	●	●	●	●	●	●	●
Warming drawer	450 Watt	450 Watt	450 Watt	450 Watt	450 Watt	450 Watt	450 Watt	450 Watt
Electronic control	●	●	●	●	Knob	●	●	●
Temp. settings	(low, med, high)	(low, med, high)	(low, med, high)	(low, med, high)	Infinite	150° - 220° F	150° - 220° F	150° - 220° F
Stainless steel insert	●	●	●	●	●	●	●	●
In-oven broiling	●	●	●	●	●	●	●	●
<b>Appearance</b>								
Color appearance*	SS/WW/CC/BB	SS/WW/CC/BB	SS/WW/CC/BB	SS/WW/CC/BB	SS/WW/CC/BB	BC	SS/WW/CC/BB	SS/WW/CC/BB
Frameless oven door	Stainless steel White Glass Bisque Glass Black Glass	Stainless steel White Glass Bisque Glass Black Glass	Stainless steel White Glass Bisque Glass Black Glass	Stainless steel White Glass Bisque Glass Black Glass	Stainless steel White Glass Bisque Glass Black Glass	Soft Stainless	Stainless steel White Glass Bisque Glass Black Glass	Stainless steel White Glass Bisque Glass Black Glass
Oven door with window	Big ClearView™	Big ClearView	Big ClearView	Big ClearView	Big ClearView	Big ClearView	Big ClearView	Big ClearView
Oven door handle	Sculptured	Sculptured	Sculptured	Sculptured	Sculptured	Professional-Style	Designer-style	Designer-style
<b>Weights &amp; Dimensions</b>								
Overall oven interior dimensions (WxHxD in inches)	24 x 19 x 19	24 x 19 x 19	24 x 19 x 19	24 x 19 x 19	24 x 19 x 19	24 x 18.5 x 19	24 x 18.5 x 19	24 x 18.5 x 19
Approx. shipping weight (lbs.)	250 SS 245 WW/CC/BB	235 SS 230 WW/CC/BB	235 SS 230 WW/CC/BB	220 SS 215 WW/CC/BB	235 SS 230 WW/CC/BB	230	220	210
<b>Power/Ratings</b>								
Top burners (000's BTU's) Nat/LP	(1) 15.0/11.0 (1) 11.0/9.1 (1) 5.0/5.0 (1) 9.1/9.1	(1) 15.0/11.0 (1) 11.0/9.1 (1) 5.0/5.0 (1) 9.1/9.1	(1) 15.0/11.0 (1) 11.0/9.1 (1) 5.0/5.0 (1) 9.1/9.1	(1) 15.0/11.0 (1) 11.0/9.1 (1) 5.0/5.0 (1) 9.1/9.1	(1) 15.0/11.0 (1) 11.0/9.1 (1) 5.0/5.0 (1) 9.1/9.1	(1) 15.0/11.0 (1) 11.0/9.1 (1) 5.0/5.0 (1) 9.1/9.1	(2) 12.0/11.0 (1) 5.0/5.0 (1) 9.5/9.5	
Oven/broiler burners (000's BTU's) Nat/LP	← 16.0/16.0 Oven 13.5/12.0 Broil →				← 16.0/16.0 Oven 12.5/12.0 Broil →			
Dual fuel range electrical rating					208/240V, 60Hz, 40A			
Gas range electrical rating	← 120V, 60Hz, 5A →				← 120V, 60Hz, 5A →			
LP conversion kit (included)	●	●	●	●	●	●	●	●

\*SS = Stainless steel with black accents, BC = Soft stainless with black accents, WW = White with white glass door, CC = Bisque with bisque glass door, BB = Black with black glass door. Factory set for Natural Gas. A set of LP orifices is included with each range for LP conversion.  
† = Stainless steel models feature traditional QuickSet controls.

Refrigeration

Cooking Products

Microwave Ovens

Dishwashers

Clothes Care

Water Systems

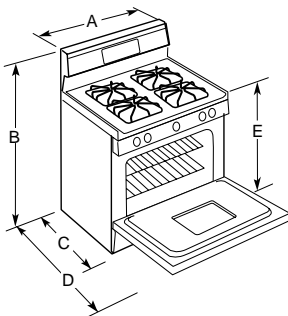
Air Conditioning

# 30" Self-Clean Gas Ranges

	GE®				
	Sealed Burner Models			Standard Burner Models	
	JGBP33SEH JGBP33WEH JGBP33CEH JGBP33BEH	JGBP30WEH JGBP30CEH JGBP30BEH	JGBP28SEH JGBP28WEH JGBP28BEH	JGBP26WEH JGBP26CEH	JGBP24BEH
<b>Capacity</b>					
Extra-large 4.8 cu. ft. oven	•	•	•	•	•
<b>Features</b>					
Oven cleaning	Self-Clean	Self-Clean	Self-Clean	Self-Clean	Self-Clean
Cooktop burners	Sealed	Sealed	Sealed	Standard/Twin	Standard/Twin
High Output burner (Nat.)	(1) 13,000/ 1,000 BTU	(1) 12,000/ 1,000 BTU			
Precise Simmer burner (Nat.)	(1) 5,000/600 BTU	(1) 5,000/600 BTU			
All-purpose burners (Nat.)	(2) 9,500/850 BTU	(2) 9,500/850 BTU	(4) 9,500/850 BTU	(4) 9,100/850 BTU	(4) 9,100/850 BTU
Valves (degree of turn)	270	270	140	270	270
TrueTemp system	•	•	•	•	•
Electronic controls	•	•	•	•	•
QuickSet oven controls	QuickSet IV	QuickSet IV	QuickSet III	QuickSet IV	QuickSet III
Auto Self-Clean	•	•	•	•	•
Electronic clock and timer	•	•	•	•	•
Automatic oven timer	•	•	•	•	•
Audible preheat signal	•	•	•	•	•
Auto oven shut-off	•	•	•	•	•
Certified Sabbath mode	•	•	•	•	•
One-piece upswept cooktop	Porc.-Enam.	Porc.-Enam.	Porc.-Enam.	Porc.-Enam.	Porc.-Enam.
Lift-up cooktop				Porc.-Enam.	Porc.-Enam.
Easy-clean subtop				Porc.-Enam.	Porc.-Enam.
Porcelain-enameled one-piece drip pans	Black Grey Taupe Black	Grey Taupe Black	Opt. Access.	Chrome Chrome	Opt. Access.
Removable square grates	Black Medium-Cast Grey Medium-Cast Taupe Medium-Cast Black Medium-Cast	Grey Deluxe Porc.-Steel Taupe Deluxe Porc.-Steel Black Deluxe Porc.-Steel	Black Std. Porc.-Steel Grey Std. Porc.-Steel Black Std. Porc.-Steel	Grey Std. Porc.-Steel Taupe Std. Porc.-Steel	Black Std. Porc.-Steel
Ignition system	Electronic	Electronic	Electronic	Electronic	Electronic
Oven racks	3	2	2	2	2
Six embossed rack positions	•	•	•	•	•
Broiler pan	•	•	•	•	•
Scratch-resistant backguard	Porc.-Enam.	Porc.-Enam.	Porc.-Enam.	Porc.-Enam.	Porc.-Enam.
Interior oven light	•	•	•	•	•
Storage drawer	•	•	•	•	•
In-oven broiling	•	•	•	•	•
<b>Appearance</b>					
Color appearance*	SS WW CC BB	WW CC WH/CT	SS WW WH/CT	WW CC	WH/CT
Frameless oven door	Stainless steel White Glass Bisque Glass Black Glass	White Glass Bisque Glass Black Glass	Stainless steel White Glass Black Glass	White Glass Bisque Glass	Solid Black Glass
Oven door with window	Big ClearView	Big ClearView	ClearView	ClearView	
Designer-style handle	•	•	•	•	•
<b>Weights &amp; Dimensions</b>					
Overall oven interior dimensions (WxHxD in inches)	← 24 x 18.5 x 19 →				
Approx. shipping weight (lbs.)	210	210	210	200	200
<b>Power/Ratings</b>					
Top burners (000's BTU's) Nat/LP	(1) 13.0/11.0 (1) 5.0/5.0 (2) 9.5/9.5	(1) 12.0/11.0 (1) 5.0/5.0 (2) 9.5/9.5	(4) 9.5/9.5	← (4) 9.1/8.0 →	
Oven/broiler burners (000's BTU's) Nat/LP	← 16.0/16.0 Oven 12.5/12.0 Broil →				
Gas range electrical rating	← 120V, 60Hz, 5A →				
LP conversion kit (included)	•	•	•	•	•

\*SS = Stainless steel with black accents, WW = White with white glass door, CC = Bisque with bisque glass door, BB = Black with black glass door, WH = White with black glass door, CT = Bisque with black glass door.  
Factory set for Natural Gas. A set of LP orifices is included with each range for LP conversion.

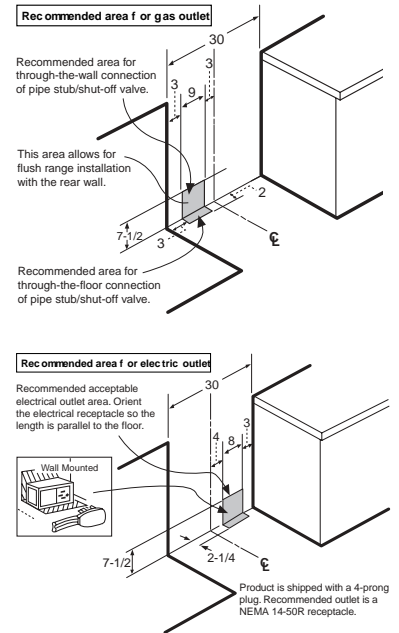
## Dimensions (in inches)



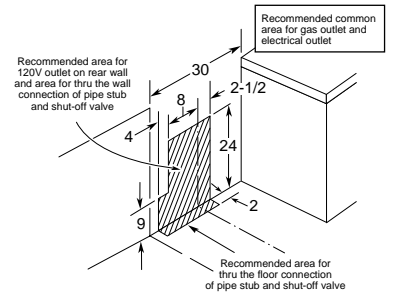
Model	A	B	C*	D	E
J2B915	30	47-3/4	26-1/4	46-3/8	36 ± 1/4
JGB920	30	47-3/4	26-1/4	46-3/8	36 ± 1/4
JGB915	30	47-3/4	26-1/4	46-3/8	36 ± 1/4
JGB905	30	47-3/4	26-1/4	46-3/8	36 ± 1/4
JGB900	30	47-3/4	26-1/4	46-3/8	36 ± 1/4
JGBP90	30	46-7/8	26-1/4	46-3/8	36 ± 1/4
JGBP85	30	46-7/8	26-1/4	46-3/8	36 ± 1/4
JGBP80	30	46-7/8	26-1/4	46-3/8	36 ± 1/4
JGBP33	30	46-7/8	26-1/4	46-3/8	36 ± 1/4
JGBP30	30	46-7/8	26-1/4	46-3/8	36 ± 1/4
JGBP28	30	46-7/8	26-1/4	46-3/8	36 ± 1/4
JGBP26	30	46-7/8	26-1/4	46-3/8	36 ± 1/4
JGBP24	30	46-7/8	26-1/4	46-3/8	36 ± 1/4

\*Dimension from wall to front of closed door handle is 29" on models J2B915, JGB920/915/905/900, JGBP85/80 and 28-1/4" on models JGBP90/33/30/28/26/24. Depth to front edge of cooktop—25-1/4"

## Installation Information Dimensions (in inches) Model J2B915



## Installation Information Dimensions (in inches) All models except J2B915



**Optional Gas Range Accessory Drip Pans For Sealed and Standard Burner Models** (Available at additional cost) To order these accessory drip pans, call toll-free 800-626-2002.

**Installation Information:** Before installing, consult installation instructions packed with product for current dimensional data.



All GE ranges are equipped with an Anti-Tip device. The installation of this device is an important, required step in the installation of the range.

**Gas Self-Clean Range Anti-Tip Bracket (Part No. 205C1714P001)**  
J2B915, JGB920/915/905/900/900/85/80/33/30/28/26/24



# 30" Continuous- & Standard-Clean Gas Ranges

	GE									
	Sealed Burner Models					Standard Burner Models				
	JGBS23SEH JGBS23WEH JGBS23CEH JGBS23BEH	JGBS22BEH	JGBS10WEH JGBS10CEH JGBS10BEH	JGBS09PEH	JGBC20WEH JGBC20CEH JGBC20BEH	JGBS20WEH JGBS20BEH	JGBS17PEH	JGBS07PEH	JGBS04BEH JGBS04PPH	
<b>Capacity</b>										
Extra-large 4.8 cu. ft. oven	●	●	●	●	●	●	●	●	●	●
<b>Features</b>										
Oven cleaning	Standard-Clean	Standard-Clean	Standard-Clean	Standard-Clean	Cont.-Clean	Standard-Clean	Standard-Clean	Standard-Clean	Standard-Clean	Standard-Clean
Cooktop burners	Sealed	Sealed	Sealed	Sealed	Std./Twin	Std./Twin	Std./Twin	Std./Twin	Std./Twin	Std./Twin
High Output burner (Nat.)	(1) 12,000/ 1,000 BTU									
Precise Simmer burner (Nat.)	(1) 5,000/600 BTU									
All-purpose burners (Nat.)	(2) 9,500/850 BTU	(4) 9,500/850 BTU	(1) 8,000/850 BTU (3) 7,000/850 BTU	(1) 8,000/850 BTU (3) 7,000/850 BTU	(4) 9,100/850 BTU	(4) 9,100/850 BTU	(4) 9,100/850 BTU	(4) 9,100/850 BTU	(4) 9,100/850 BTU	(4) 9,100/850 BTU
Center oval burner			(1) 6,000/850 BTU	(1) 6,000/850 BTU						
Valves (degree of turn)	270	140	270	270	140	140	140	140	140	140
Electronic clock and timer	●	●	Clock only	●	●	●	●	●	●	●
Porcelain-enameled cooktop	One-Piece Upswept	One-Piece Upswept	●	●	One-Piece Upswept	One-Piece Upswept	One-Piece Upswept	●	●	●
Lift-up cooktop					●	●	●	●	●	●
Easy-clean porcelain-enameled subtop					●	●	●	●	●	●
One-piece drip pans	Black Grey Taupe Black	Opt. Access.			Opt. Access.	Opt. Access.	Opt. Access.	Opt. Access.	Opt. Access.	Opt. Access.
Removable square grates	Deluxe Porcelain-Steel	Black Standard Porcelain-Steel	Continuous Wire	Continuous Wire	Grey Standard Taupe Standard Black Standard Porcelain-Steel	Grey Standard Black Standard Porcelain-Steel	Black Standard	Grey Standard Porcelain-Steel	Black Standard Porcelain-Steel	
Griddle			Non-stick	Non-stick						
Ignition system	Electronic	Electronic	Electronic	Electronic	Electronic	Electronic	Electronic	Electronic	Electronic Pilot†	
Oven racks	2	2	2	1	2	2	2	2	2	2
Six embossed rack positions	●	●	●	●	●	●	●	●	●	●
One piece broiler pan	●	●	●	●	●	●	●	●	●	●
Porcelain-enameled backguard	●	●	Glass	●	●	●	●	●	●	●
Interior oven light	●	●	●	●	●	●	●	●	●	●
Broiler drawer	Slide-out	Slide-out	Drop-down		●	●	●	●	●	●
<b>Appearance</b>										
Color appearance*	SS WW CC BB	WH/CT	WW CC BB	WW	WW CC WH/CT	WW WH/CT	WH/CT	WW	WH/CT WW/WH/CT	
Frameless oven door	Stainless steel White Glass Bisque Glass Black Glass	Black Glass	White Glass Bisque Glass Black Glass	White Porc-Enam.	White Glass Bisque Glass Black Glass	White Glass Black Glass	CM* Porcelain- Enameled	White Porcelain- Enameled	CM* Porcelain- Enameled	
Oven door with window	Big ClearView	Big ClearView	ClearView	ClearView	ClearView	ClearView	ClearView	ClearView	ClearView	
Designer-style handle	●	●	●	●	●	●	●	Visor	Chrome Visor	
<b>Weights &amp; Dimensions</b>										
Overall oven interior dimensions (WxHxD in inches)	← 24 x 18.5 x 19 →									
Approx. shipping weight (lbs.)	180	170	160	160	175	175	175	165	165	
<b>Power/Ratings</b>										
Top burners (000's BTU's) Nat/LP	(1) 12.0/11.0 (1) 5.0/5.0 (2) 9.5/9.5	(4) 9.5/9.5	(1) 8.0/8.0 BTU (3) 7.0/7.0 BTU (1) 6.0/6.0 BTU	(1) 8.0/8.0 BTU (3) 7.0/7.0 BTU (1) 6.0/6.0 BTU	← (4) 9.1/8.0 →					
Oven/broiler burners (000's BTU's) Nat/LP	← 18.0/16.5 →									
Gas range electrical rating**	← 120V, 60Hz, 5A →									
LP conversion kit (included)	●	●	●	●	●	●	●	●	●	●

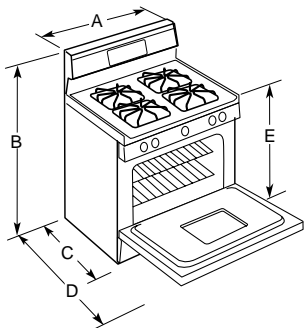
\*WW = White with white door, CC = Bisque with bisque door, BB = Black with black door, WH = White with black door, CT = Bisque with black door, CM = Color-Matched indicates color of oven door matches cooktop (either white or bisque).

\*\*Electrical rating not applicable to standing pilot models.

†JGBS04PPH has a standing pilot ignition.

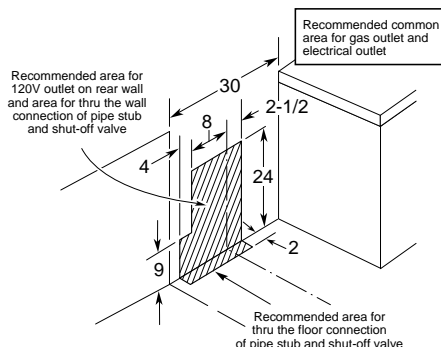
Factory set for Natural Gas. A set of LP orifices is included with each range for LP conversion.

## Installation Information Dimensions (in inches)



Model	A	B	C*	D	E
JGBS23	30	46-7/8	26-1/4	46-3/8	36 ± 1/4
JGBS22	30	46-7/8	26-1/4	46-3/8	36 ± 1/4
JGBS10	30	45	25-5/16	46-1/4	36 ± 1/4
JGBS09	30	45	25-5/16	46-1/4	36 ± 1/4
JGBC20	30	46-7/8	26-1/4	46-3/8	36 ± 1/4
JGBS20	30	46-7/8	26-1/4	46-3/8	36 ± 1/4
JGBS17	30	46-7/8	26-1/4	46-1/4	36 ± 1/4
JGBS07	30	46-7/8	26-1/4	46-1/4	36 ± 1/4
JGBS04	30	46-7/8	25-5/16	46-1/4	36 ± 1/4

\*Dimension from wall to front of closed door handle is 29".  
On models JGBS04 the dimension is 27-7/16".  
25-1/4"—Depth to front top edge of cooktop.



Gas Self-Clean Range Anti-Tip Bracket  
(Part No. 205C1714P001) JGBS23/22/20/17/10/09/07/04, JGBC20  
See page 156 for warranty information.



All GE ranges are equipped with an Anti-Tip device. The installation of this device is an important, required step in the installation of the range.

Refrigeration

Cooking Products

Microwave Ovens

Dishwashers

Clothes Care

Water Systems

Air Conditioning

# Slide-Out Hoods

Features	GE Profile							
	JV960SC	JV930SC	JV696S	JV695S	JV694S	JV396S	JV395S	JV394S
Variable-speed fan control	●	●	●	●	●	●	●	●
Auto heat sensor	●	●	●	●	●	●	●	●
Vertical exhaust (CFM)	300	300	300	300	300	300	300	300
Sones rating: Top exhaust	4.5	4.5	4.5	4.5	4.5	4.5	4.5	4.5
Removable grease filter*	●	●	●	●	●	●	●	●
Filter size (sq. in.)	147	147	147	147	147	147	147	147
Cooktop light	●	●	●	●	●	●	●	●
3-1/4" x 10" rectangular duct	●	●	●	●	●	●	●	●
<b>Appearance</b>								
Color appearance**	BA	BA	CC	WW	BB	CC	WW	BB
<b>Weights &amp; Dimensions</b>								
Width (in inches)	36	30	36	36	36	30	30	30
Approx. shipping weight (lbs.)	43	40	43	43	43	40	40	40
<b>Power/Ratings</b>								
Current rating amps @ 120V	3.7	3.7	3.7	3.7	3.7	3.7	3.7	3.7

\*Has washable one-piece smoke/grease filter.

\*\*WW = White on white, BB = Black on black, CC = Bisque on bisque, BA = Brushed Aluminum.

**Note:** These vented hoods include an installed damper.

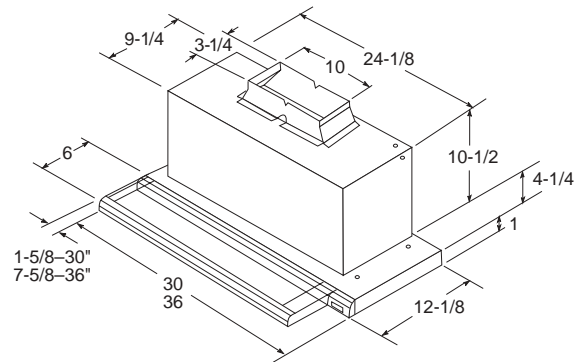
**Note:** The unit is ducted vertically. Horizontal ducting can be accomplished as shown.

**Note:** Remove glass visor from unit before installing hood in cabinet to protect visor from damage.

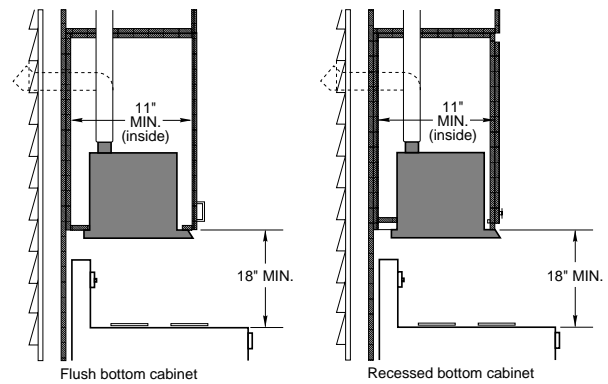
**Installation Information:** Before installing, consult Use & Care/installation instructions packed with product for current dimensional data.



## Installation Information (in inches)



## Dimensions (in inches)

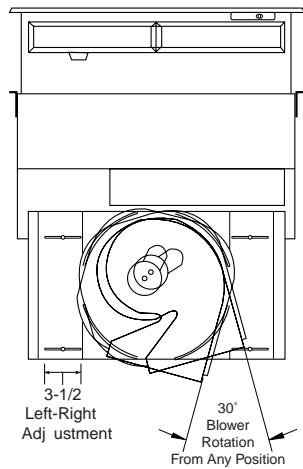


# Telescopic Downdraft Systems

	GE Profile™			
	JVB98SH	JVB94SH	JVB67HWW JVB67HCC JVB67HBB	JVB37HWW JVB37HCC JVB37HBB
<b>Features</b>				
Upfront variable-speed fan w/slide control	●	●	●	●
Separate remote raise/lower switch	●	●	●	●
Blower rating (CFM)	500	500	500	500
Optional blower mount capabilities	●	●	●	●
3-1/4" x 10" rectangular duct	●	●	●	●
Minimum 6" round duct capability	●	●	●	●
Removable grease filters	●	●	●	●
<b>Appearance</b>				
Color appearance*	SS	SS	WW CC BB	WW CC BB
Cover plate	SS	SS	White Bisque Black	White Bisque Black
Telescopic snorkel assembly	Black	Black	Black	Black
<b>Weights &amp; Dimensions</b>				
Width (in inches)	36	30	36	30
Approx. shipping weight (lbs.)	76	72	76	72
<b>Power/Ratings</b>				
Current rating amps @ 120V	4.0	4.0	4.0	4.0

\*SS = Stainless steel, WW = White on white, CC = Bisque on bisque, BB = Black on black.  
 Note: Approved for use with GE Profile and GE® electric and sealed burner gas cooktops.

## Blower Position



Note: Telescopic downdraft vents are not recommended to be installed with cooktops that are flush mounted.

Approved for use with the following GE Profile and GE cooktops—36" and 30" electric models, 36" and 30" gas sealed burner models and 36" and 30" induction models.

Not approved for use with standard burner gas cooktops.

Note: The countertop must be at least 26" deep with a flat surface area of 23-1/2" or more, front to back. In addition, other clearances to the front edge of the countertop must be considered.

Note: Dimensions shown are for reference only. Before cutting out countertop, refer to instructions packed with **downdraft** and **cooktop**.

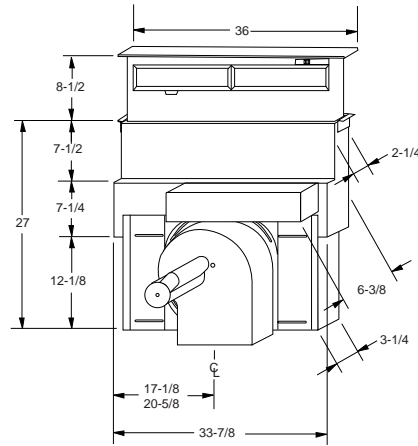
Note: Installation in cabinets/countertops against the wall will not be possible in most applications. Against the wall installations are limited to dimension requirements. Refer to installation instructions packed with product for further details.

**JXBC67 Outdoor Cover.** Optional accessory may be ordered for installation of motor and blower assembly on outside wall.

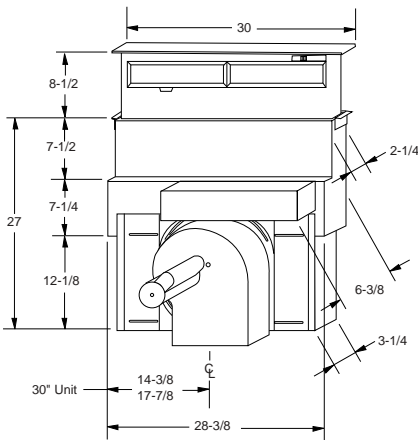
**JXRB67 Indoor Remote Accessory.** Optional accessory may be ordered for installation of motor and blower assembly in an indoor remote location.

**Installation Information:** Before installing, consult installation instructions packed with product for current dimensional data.

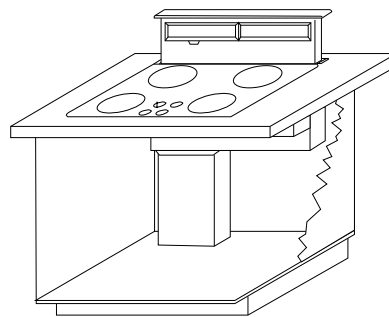
## Overall Dimensions (in inches) Model JVB98/67



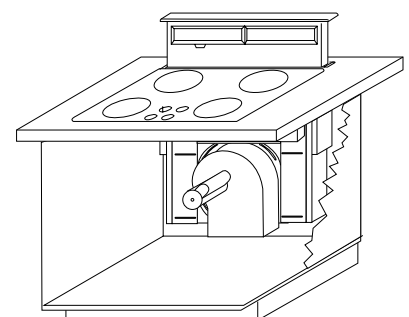
## Model JVB94/37



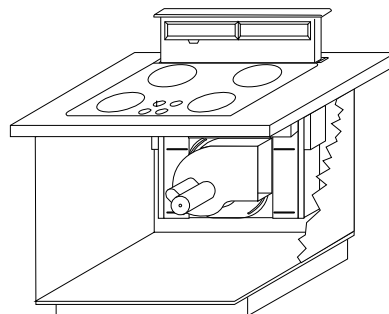
## Venting Options (Through the Floor)



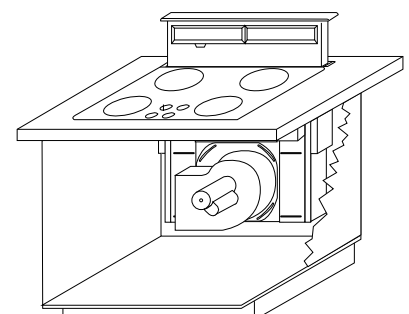
## In Cabinet Discharge (Down)



## In Cabinet Discharge (Right)



## In Cabinet Discharge (Left)



See page 156 for warranty information.



# 36" and 30" Designer Hoods

	GE Profile™	
	JV966D	JV936D
<b>General</b>		
Width	36"	30"
Height	18"	18"
<b>Features</b>		
Ducting	Vertical Only	Vertical Only
Duct size	7" round	7" round
CFM rating	600	600
Sones rating	7	7
Filters	●	●
Filter cleaning	Dishwasher-Safe	Dishwasher-Safe
Lighting	Dual Halogen	Dual Halogen
Control type	Manual	Manual
Control location	Hidden	Hidden
Four-speed fan control	●	●
Light settings	Off/High/Night	Off/High/Night
Blower/light switch color	Black	Black
<b>Appearance</b>		
Color appearance*	SS	SS
<b>Weights &amp; Dimensions</b>		
Approx. shipping weight (lbs.)	77	68
<b>Power/Ratings</b>		
Current rating Amps @ 120V	3.9	3.9
<b>Accessories/Kits</b>		
Baffle filter kit	●	●
Optional chimney kit	●	●

\*SS = Stainless steel.

## Optional Kits for 36" Designer Hoods

JXBF36SS—36" Commercial Filter  
 JXCHSS—Stainless Chimney Kit  
 JXDW1—7" round to 3-1/4" x 10" rectangular duct transition for rear wall discharge.

## Optional Kits for 30" Designer Hoods

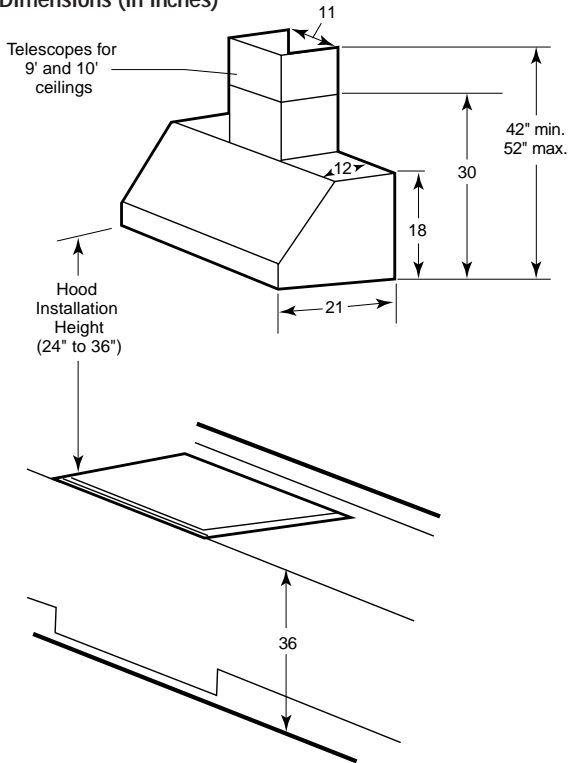
JXBF30SS—30" Commercial Filter  
 JXCHSS—Stainless Chimney Kit  
 JXDW1—7" round to 3-1/4" x 10" rectangular duct transition for rear wall discharge.



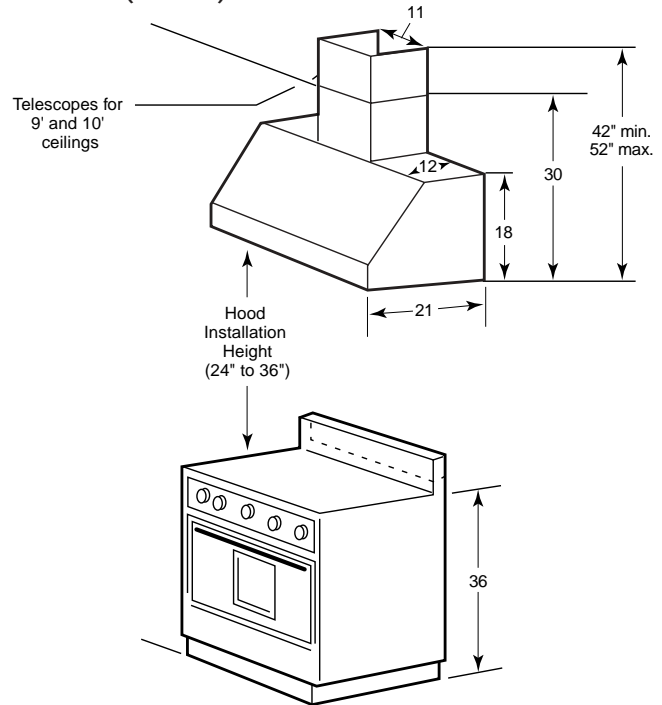
Listed by  
Underwriters  
Laboratories

**Installation Information:** Before installing, consult installation instructions packed with product for current dimensional data.

## Installed Above a Cooktop (Shown with Optional Chimney Kit) Dimensions (in inches)



## Installed Above a Range (Shown with Optional Chimney Kit) Dimensions (in inches)

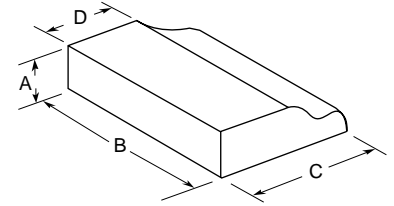


# Hoods

Features	GE Profile						
	Width	High-Performance				Performance	
		30"	JV666H	JV665H	JV636H	JV635H	JV536H
Two-speed fan control							
Four-speed fan control		●	●	●	●	●	●
Damper included (rectangular)		●	●	●	●	●	●
Optional damper accessory (round)	JXDA22	JXDA22	JXDA22	JXDA22	JXDA22	JXDA22	JXDA22
CFM/Sone rating:							
Back rectangular	390/7.5	390/7.5	390/7.5	390/7.5	240/4.5	240/4.5	
Top round	410/7.0	410/7.0	410/7.0	410/7.0	250/4.5	250/4.5	
Top rectangular	380/7.5	380/7.5	380/7.5	380/7.5	240/5.0	240/5.0	
Removable grease filters	2 <sup>†</sup>	2 <sup>†</sup>	2 <sup>†</sup>	2 <sup>†</sup>	2 <sup>††</sup>	2 <sup>††</sup>	
Cooktop light(s)*	2 Halogen (50 watt)	2 Halogen (50 watt)	2 Halogen (50 watt)	2 Halogen (50 watt)	2 Halogen (50 watt)	2 Halogen (50 watt)	
Night light position on light switch		●	●	●	●	●	
3-1/4" x 10" rectangular duct	●	●	●	●	●	●	
7" round duct	●	●	●	●	●	●	
Non-vented					●	●	
<b>Appearance</b>							
Color appearance**		SS	WW/CC/BB	SS	WW/CC/BB	SS	WW/CC/BB
<b>Weights &amp; Dimensions</b>							
Approx. shipping weight (lbs.)		35	35	30	30	30	30
<b>Power/Ratings</b>							
Current rating amps @ 120V		2.5	2.5	2.5	2.5	1.4	1.4

\*Light bulbs not furnished.  
 \*\*SS = Stainless steel, WW = White on white, CC = Bisque on bisque, BB = Black on black.  
<sup>†</sup>WB02X11011 (30") or WB02X11012 (36") removable grease filter is available for additional cost (Models JV666, 665, 636, 635).  
<sup>††</sup>WB02X11000 (30") or WB02X11001 (36") removable charcoal filter is available for additional cost (Models JV566, 565, 536, 535).  
 Call toll-free 800.626.2002.

Dimensions (in inches)				
Model	A	B	C	D
JV666/JV665	7-1/4	35-7/8	20	12
JV636/JV635	7-1/4	29-7/8	20	12
JV536/JV535	7-1/4	29-7/8	20	12
JV566/JV565	7-1/4	35-7/8	20	12
JV367	5-1/2	35-7/8	17-1/2	12
JV347	5-1/2	29-7/8	17-1/2	12
JV338	5-1/2	29-7/8	17-1/2	12
JN327	5-1/2	29-7/8	17-1/2	12



### JXHC1 Cord Kit

Allows a receptacle in the cabinet over the range to accommodate either an over-the-range microwave oven or a standard hood.

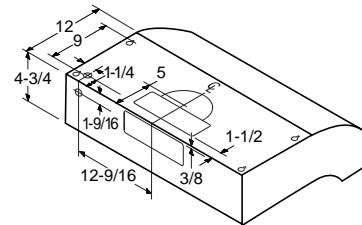
Features	GE®		
	Width	Deluxe	Standard
		30"	JV347H
Two-speed fan control		●	●
Three-speed fan control		●	●
Vertical exhaust (CFM)	200	170	
Rear exhaust (CFM)	180	160	
Damper included (rectangular)		●	●
Optional damper accessory (round)	JXDA22	JXDA22	
Sones rating:			
Top exhaust	6.0	5.5	
Rear exhaust	7.0	7.0	
Removable grease filters	Disposable 1-Pc. Filter <sup>†</sup>	1 <sup>†</sup>	Disposable 1-Pc. Filter <sup>†</sup>
Filter size (sq. in.)	90	90	90
Cooktop light(s)*	1	1	1
3-1/4" x 10" rectangular duct	●	●	
7" round duct	●	●	
Non-vented			●
<b>Appearance</b>			
Color appearance**	WW/CC/BB	WW/CC	WW/CC/AA
<b>Weights &amp; Dimensions</b>			
Approx. shipping weight (lbs.)	20	17	19
<b>Power/Ratings</b>			
Current rating amps @ 120V	2.5	2.5	2.5

\*Light bulbs not furnished.  
 \*\*WW = White on white, CC = Bisque on bisque, BB = Black on black, W = White, C = Bisque, A = Almond.  
<sup>†</sup>WB02X9381 replacement grease filter and WB02X10700 replacement charcoal filter are available for additional cost. Call toll-free 800.626.2002 (Models JV367/347/338 and JN327).

### Hood Dimensions (in inches)

#### 1 Models JV666H, JV665H, JV636H, JV635H, JV536H, JV535H, JV566H and JV565H

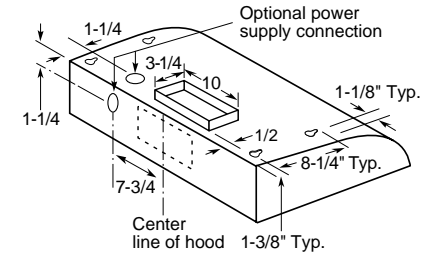
Exhaust outlet connects to 3-1/4" x 10" duct (vertically or horizontally) and 7" round (vertically). Includes rectangular damper and 7" round damper adapter.  
 Round damper accessory, JXDA22 available at additional cost.



#### 2 Models JV367H,\* JV347H and JV338H

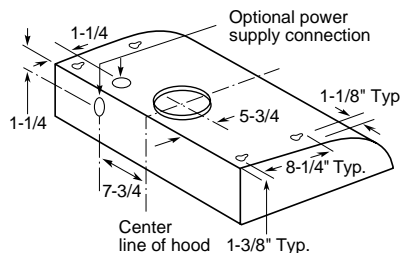
\*JV367H, JV347H and JV338H—Refer to this drawing for rectangular exhaust option. Refer to drawing 3 for round exhaust option.

Exhaust outlet connects to 3-1/4" x 10" rectangular duct. Vent top or rear. Includes rectangular damper.

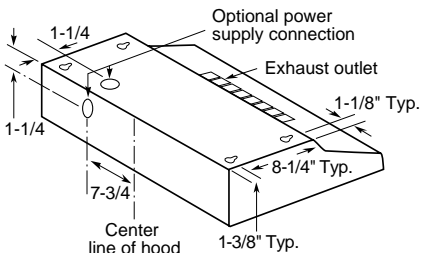


#### 3 Models JV367H, JV347H and JV338H\*

\*JV367H, JV347H and JV338H—Refer to this drawing for round exhaust option. Refer to drawing 2 for rectangular exhaust option.  
 Exhaust outlet connects to 7" diameter duct. Vent top only. Round damper accessory, JXDA22, available at additional cost.



#### 4 Model JN327H



(JV367, JV347 and JV338 only)



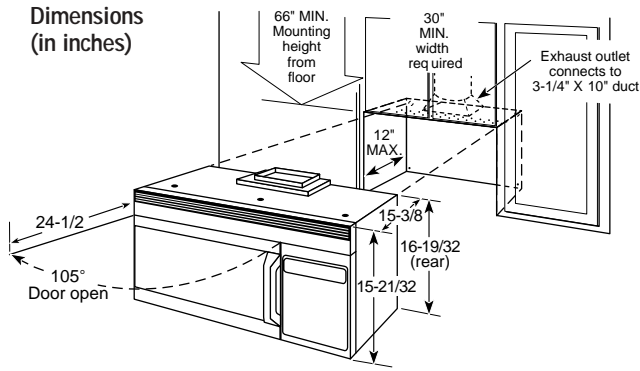
Listed by Underwriters Laboratories

**Installation Information:** Before installing, consult installation instructions packed with product for current dimensional data.

# GE Profile Spacemaker® Convection/Microwave Ovens

		GE Profile™	
		JVM1490SH	JVM1490WH JVM1490CH JVM1490BH
<b>Capacity</b>			
Oven cavity (cu. ft.)		1.4	1.4
<b>Features</b>			
Watts (IEC-705 Test Procedure)		900	900
Controls		Membrane/Dial	Membrane/Dial
SmartControl system w/interactive display		●	●
Electronic scrolling digital display w/clock and AM/PM		2-Line	2-Line
Variable scroll speed		●	●
Help pad		●	●
Concurrent programming		●	●
Display On/Off		●	●
Bilingual display (English/Spanish)		●	●
Cavity lighting		Halogen	Halogen
Cooktop lighting		Halogen	Halogen
<b>Sensor controls</b>			
Cook		Chicken, Fish, Potato	Chicken, Fish, Potato
Beverage		●	●
Popcorn		●	●
Reheat		●	●
Vegetables (canned/fresh/frozen)		●	●
<b>Convection controls</b>			
Convection bake		●	●
Fast Bake		●	●
Express Cook (1-6 minutes)		●	●
Instant On controls		●	●
Time cook		I & II	I & II
Add 30 seconds		●	●
Temp cook		●	●
Auto/Time defrost		●/●	●/●
Fast defrost		●	●
Power levels		10	10
Programmable night light		●	●
Timer On/Off		●	●
Variable beeper volume control		●	●
Cooking complete reminder		●	●
Child lockout		●	●
Two-speed venting		●	●
<b>Appearance</b>			
Color appearance		Stainless steel	White on white Bisque on bisque Black on black
Case color		Black	White Bisque Black
Designer-style handle		●	●
<b>Weights &amp; Dimensions</b>			
WxHxD	Cavity	21-3/32 x 8-7/32 x 14-3/32	
(in inches)	Exterior	29-7/8 x 15-21/32 x 15-3/8	
Approx. shipping weight (lbs.)		98	98
<b>Power/Ratings</b>			
2450 Frequency (MHz)		●	●
Electrical input @ 120V	Watts	1800	1800
	Amperage	15	15
<b>Accessories</b>			
Convection rack		●	●
Cooking guide		●	●
Cookbook		●	●
<b>Warranty</b>			
Full one-year in home warranty*		●	●
Limited nine-year magnetron warranty* (10 years total)		●	●

\*See written warranty for details.



## Ventilation Options

The Spacemaker convection/microwave and Spacemaker microwave ovens are designed for adaptation to the following three types of ventilation:

**Outside Exhaust (Vertical)—**as shown above

**Outside Exhaust (Horizontal)**

**Recirculating (Non-vented ductless)—**see Filter Kit Drawing, order JX81A or JX81B

Requires 120V grounded outlet. Electrical receptacle must be located in cabinet above Spacemaker microwave/convection and Spacemaker microwave ovens. No additional wiring, venting or cabinet rebuilding necessary in many cases. Complete detailed, easy-to-follow installation instructions and convenient full-size templates are packed with product.

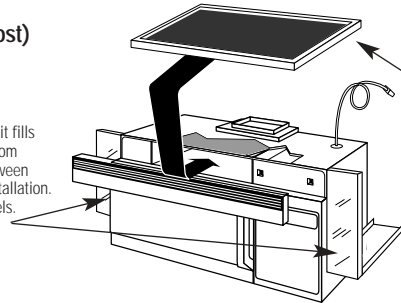
**Important:** When installing these ovens over a range, allow minimum of 2" from bottom of microwave oven to top of range backguard to allow for removal of light covers.

## Optional Accessories (Available at additional cost)

### Filler Panel kit

See below for part numbers.

When replacing a 36" range hood, this kit fills in the additional width to provide a custom built-in appearance. For installation between cabinets only; not for end-of-cabinet installation. Each kit contains two 3"-wide filler panels.



### Recirculating Charcoal Filter kit

See below for part numbers. To be used when the Spacemaker microwave oven cannot be vented to the outside. (Included with non-vented models.)

Model	Recirculating Charcoal Filter kit	Filler Panel kit
JVM1430WD	JX81A	JX46WH
JVM1430BD	JX81A	JX46BL
JVM1440SH	JX81A	JX46BL
JVM1440WH	JX81A	JX46WH
JVM1440BH	JX81A	JX46BL
JVM1490SH	JX81A	JX46BL
JVM1490WH	JX81A	JX46WH
JVM1490CH	JX81A	-
JVM1490BH	JX81A	JX46BL
JVM1630WH	JX81D	JX48WH
JVM1630CH	JX81D	-
JVM1630BH	JX81D	JX48BL
JVM1640WH	JX81D	JX48WH
JVM1640AH	JX81D	-
JVM1640BH	JX81D	JX48BL
JVM1650SH	JX81A	JX48BL
JVM1650WH	JX81A	JX48WH
JVM1650CH	JX81A	-
JVM1650BH	JX81A	JX48BL
JVM1850SH	JX81B	JX52BL
JVM1850WH	JX81B	JX52WH
JVM1850CH	JX81B	-
JVM1850BH	JX81B	JX52BL
JVM1870SF	JX81B	JX52BL
JVM1870WF	JX81B	JX52WH
JVM1870CF	JX81B	-
JVM1870BF	JX81B	JX52BL
JVM3670SF	JX81B	-
JVM3670WF	JX81B	-
JVM3670CF	JX81B	-
JVM3670BF	JX81B	-
JVM2050WH	JX81H	JX52WH
JVM2050CH	JX81H	-
JVM2050BH	JX81H	JX52BL
JVM2070SH	JX81H	JX52BL
JVM2070WH	JX81H	JX52WH
JVM2070CH	JX81H	-
JVM2070BH	JX81H	JX52BL



Listed by Underwriters Laboratories

This information is not intended to be used for installing unit described. Before installing, consult installation instructions packed with product/kit for current dimensional data.



# GE Profile Spacemaker® 2.0 Microwave Oven

# GE Profile Spacemaker Microwave Ovens

	GE Profile™	
	JVM2070SH	JVM2070WH JVM2070CH JVM2070BH
<b>Capacity</b>		
Oven cavity (cu. ft.)	2.0	2.0
<b>Features</b>		
Watts (IEC-705 test procedure)	1100	1100
EasyGuide™ menu system	●	●
Sensor controls	●	●
Power levels	10	10
Dual-distribution cooking system	●	●
Kitchen timer	●	●
315-CFM vent fan	Lo/mid/high/off + boost	Lo/mid/high/off + boost
Halogen cooktop lighting	●	●
Recessed turntable	●	●
Turntable on/off	●	●
Easy mount installation	●	●
<b>COOK Touch Control Features</b>		
Express Cook	Instant-on 30 sec & 1-7 minutes	Instant-on 30 sec & 1-7 minutes
Time Cook and Time Cook I & II	●	●
Add 30 Seconds	●	●
Select Food	●	●
Select Beverage	●	●
Soften	●	●
Melt	●	●
Delay Start	●	●
<b>REHEAT Touch Control Features</b>		
Select Food/Beverage	●	●
<b>DEFROST Touch Control Features</b>		
Select Time	●	●
Select Weight	●	●
Select Food	●	●
1 lb. Quick Defrost	●	●
Soften	●	●
Melt	●	●
Delay	●	●
<b>CUSTOM 1 and 2 Touch Controls</b>	●	●
<b>OPTIONS Touch Control Features</b>		
Reminder (24 hr.)	●	●
Beeper Volume	●	●
Filter Reminder	●	●
Clock w/Clock Saver	●	●
Child Lockout	●	●
Cooking Complete Reminder	●	●
Display On/Off	Auto sleep mode	Auto sleep mode
Help Key	●	●
Sleep Mode/Wake Up Touch	●	●
Auto Night Light	●	●
Interactive demo mode	●	●
<b>Appearance</b>		
Color appearance*	SS	WW/CC/BB
Case color	Black	White/Bisque/Black
LED, LCD Display control panel	with tactile vent/light buttons	with tactile vent/light buttons
Sculptured handle	●	●
<b>Weights &amp; Dimensions</b>		
WxHxD Cavity	21-9/16 x 10-9/16 x 14-13/16	
(in inches) Exterior**	29-7/8 x 16-11/32 x 15-7/16	
Approx. shipping weight (lbs.)	72	72
<b>Power/Ratings</b>		
Input Volt/Hz	120/60	120/60
Input Amps/Watts (max)	15/1480	15/1480
<b>Accessories</b>		
Oven rack(s)	2 (2 positions)	2 (2 positions)
<b>Warranty</b>		
Full one-year in-home warranty†	●	●
Limited nine-year magnetron warranty†	●	●

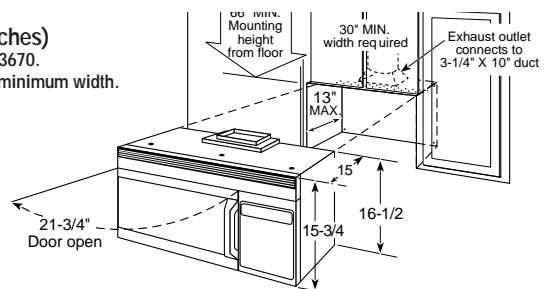
\*SS = Stainless steel, WW = White on white, CC = Bisque on bisque, BB = Black on black.  
\*\*Exterior dimensions: depth excludes handle.  
†See warranty for details.

	GE Profile	
	JVM3670SF JVM3670WF JVM3670CF JVM3670BF	JVM1870SF JVM1871SH* JVM1870WF JVM1870CF JVM1870BF
<b>Capacity</b>		
Oven cavity (cu. ft.)	1.8	1.8
<b>Features</b>		
Watts (IEC-705 Test Procedure)	1100	1100
Electronic touch controls	●	●
SmartControl system w/interactive display	●	●
Scrolling display	2-Line	2-Line
Clock and AM/PM pad	●	●
Variable scroll speed	●	●
Help pad	●	●
Concurrent programming	●	●
Bilingual display (English/Spanish)	●	●
Sensor controls	Beverage Chicken/Fish Popcorn Potatoes Reheat Vegetables	● ● ● ● ● ●
Custom pads	●	●
Express Cook (1-6 min.)	●	●
Instant On controls	●	●
Time cook	I & II	I & II
Add 30 seconds	●	●
Auto/Time/1 lb. Quick Defrost	●/●/●	●/●/●
Power levels	10	10
Delay Start/Reminder	●	●
CircuWave™ 1100 cooking system	●	●
Recessed turntable	●	●
Turntable On/Off	●	●
Halogen interior/cooktop lighting	●	●
Programmable night light	●	●
Timer On/Off	●	●
Cooking complete reminder	●	●
Child lockout	●	●
300-CFM exhaust fan	3-Speed plus boost	3-Speed plus boost
<b>Appearance</b>		
Color appearance**	SS/WW/CC/BB	SS/WW/CC/BB
Case color	Black/White/Bisque/Black	Black/White/Bisque/Black
Sculptured handle	●	●
Big view window	Bright view	Bright view
<b>Weights &amp; Dimensions</b>		
36"-width application	●	●
WxHxD (in inches) Cavity	21-29/32 x 9-1/2 x 14-19/32	21-29/32 x 9-1/2 x 14-19/32
Exterior†	35-7/8 x 16-13/32 (rear) x 15	29-7/8 x 16-13/32 (rear) x 15
Approx. shipping weight (lbs.)	69	67
<b>Power/Ratings</b>		
2450 Frequency (MHz)	●	●
Electrical input Watts	1480	1480
@ 120V Amperage	15	15
<b>Accessories</b>		
Cooking guide label	●	●
Cookbook	●	●
Oven rack(s)	1	2
<b>Warranty</b>		
Full one-year in-home warranty††	●	●
Limited nine-year magnetron warranty††† (10 years total)	●	●

\*Non-vented model.  
\*\*SS = Stainless steel, WW = White on white, CC = Bisque on bisque, BB = Black on black.  
†Exterior dimensions: depth excludes handle.  
††See warranty for details.

### Dimensions (in inches) All models except JVM3670. JVM3670 requires 36" minimum width.

This information is not intended to be used for installing unit described. Before installing, consult installation instructions packed with product/kit for current dimensional data.



# GE Profile Convection/Microwave Wall Ovens

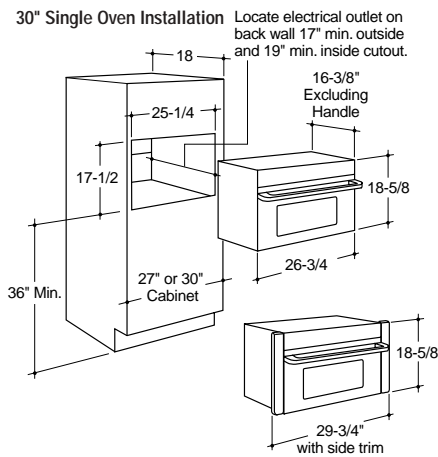
	GE Profile	
	JEB1095SB	JEB1095WB JEB1095CB JEB1095BB
<b>Capacity</b>		
Oven cavity (cu. ft.)	1.0	1.0
<b>Features</b>		
Watts (IEC-705 Test Procedure)	800	800
Electronic touch controls	●	●
Electronic digital display w/clock	●	●
Sensor controls		
Beverage	●	●
Cook	●	●
Popcorn	●	●
Reheat	●	●
Convection cook	●	●
Combination cook	●	●
Combination roast (probe)	●	●
Express Cook	●	●
Instant On controls	●	●
Time cook	I & II	I & II
Add 30 seconds	●	●
Temp cook/hold (probe)	●	●
Auto defrost	●	●
Time defrost	●	●
Power levels	10	10
Delay/Start reminder	●	●
Minute pad	●	●
Program cooking	5-Stage	5-Stage
Kitchen timer	99-M./99-S. Digital	99-M./99-S. Digital
Variable beeper volume	●	●
Cooking complete reminder	●	●
<b>Appearance</b>		
Color appearance*	SS	WW/CC/BB
Case color	Black	White/Bisque/Black
Designer-style handle	●	●
<b>Weights &amp; Dimensions</b>		
Cavity	18x8-3/16x11-1/2	
WxHxD (in inches) Exterior†	26-3/4x18-5/8x16-3/8	
Approx. shipping weight (lbs.)	84	84
<b>Power/Ratings</b>		
2450 Frequency (MHz)	●	●
Electrical input	Watts	1450
@ 120V	Amperage	13.0
<b>Accessories</b>		
Deluxe cookbook	●	●
Wire oven rack	●	●
Broil pan	●	●
30" trim kit (included)	●	●
<b>Warranty</b>		
Full one-year in-home warranty**	●	●
Limited nine-year magnetron warranty** (10 years total)	●	●

\*SS = Stainless steel, WW = White on white, CC = Bisque on bisque, BB = Black on black.

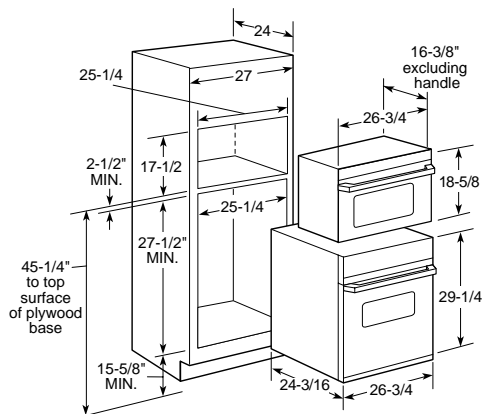
\*\*See written warranty for details.

†Exterior dimensions: depth excludes handle.

## Cutout and Dimensional Information (in inches)



## 27" Single Oven Installation



This information is not intended to be used for installing unit described. Before installing, consult installation instructions packed with product/kit for current dimensional data.



Listed by  
Underwriters  
Laboratories

# GE Spacemaker Microwave Ovens

Refrigeration

Cooking Products

Microwave Ovens

Dishwashers

Clothes Care

Water Systems

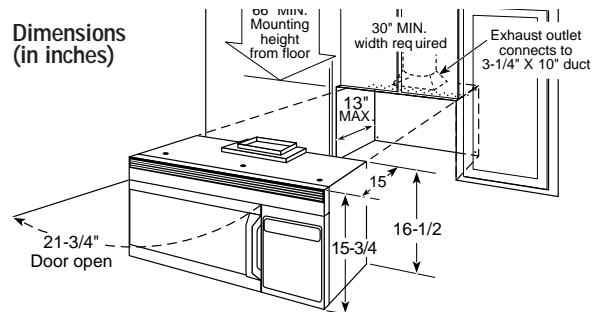
Air Conditioning

GE®		JVM1850SH JVM1851SH* JVM1850WH JVM1851WH* JVM1850CH JVM1851CH* JVM1850BH JVM1851BH*	JVM1650SH JVM1650WH JVM1650CH JVM1650BH	JVM1640WH JVM1640AH JVM1640BH	JVM1630WH JVM1631WH* JVM1630CH JVM1631CH* JVM1630BH JVM1631BH*	JVM1440SH JVM1441SH* JVM1440WH JVM1441WH* JVM1440BH JVM1441BH*	JVM1430WD JVM1430BD
<b>Capacity</b>							
Oven cavity (cu. ft.)		2.0	1.8	1.6	1.6	1.6	1.4
<b>Features</b>							
Watts (IEC-705 Test Procedure)		1100	1100	1000	1000	1000	950
Electronic touch controls		●	●	●	●	●	●
SmartControl system w/interactive display		●	●	●	●	●	●
Scrolling display		2-Line	2-Line	1-Line	1-Line	1-Line	1-Line
Clock and AM/PM pad		●	●	●	●	●	●
Variable scroll speed		●	●	●	●	●	●
Help pad		●	●	●	●	●	●
Concurrent programming		●	●	●	●	●	●
Bilingual display (English/Spanish)		●	●	●	●	●	●
Sensor controls							
Beverage		●	●	●	●	●	●
Popcorn		●	●	●	●	●	●
Potatoes		●	●	●	●	●	●
Reheat		●	●	●	●	●	●
Vegetables		●	●	●	●	●	●
Convenience controls							
Beverage		●	●	●	●	●	●
Cook		●	●	●	●	●	●
Popcorn		●	●	●	●	●	●
Reheat		●	●	●	●	●	●
Snacks		●	●	●	●	●	●
Express Cook (1-6 min.)		●	●	●	●	●	●
Instant On controls		●	●	●	●	●	●
Time cook		●	I & II	I & II	I & II	I & II	I & II
Add 30 seconds		●	●	●	●	●	●
Auto/Time Defrost		●/●	●/●	●/●	●/●	●/●	●/●
1 lb. Quick Defrost		●	●	●	●	●	●
Power levels		10	10	10	10	10	10
Delay Start/Reminder		●	●	●	●	●/—	●
Cooking system		Dual distribution	CircuWave™ 1100	CircuWave	CircuWave	CircuWave	CircuWave
Turntable		Recessed	Recessed	●	●	●	●
Turntable On/Off		●	●	●	●	●	●
Interior lighting		Halogen	●	●	●	●	●
Full-view cooktop lighting		●	●	●	●	●	●
Night light		●	●	●	●	●	●
Programmable night light		●	●	●	●	●	●
Timer On/Off		●	●	●	●	●	●
Cooking complete reminder		●	●	●	●	●	●
Child lockout		●	●	●	●	●	●
300-CFM exhaust fan		3-Speed plus boost	3-Speed plus boost	2-Speed	2-Speed	2-Speed	2-Speed
<b>Appearance</b>							
Color appearance**		WW/CC/BB	SS/WW/CC/BB	SS/WW/CC/BB	WW/AA/BB	WW/CC/BB	SS/WW/BB
Case color		White/Bisque/Black	Black/White/Bisque/Black	Black/White/Bisque/Black	White/Almond/Black	White/Bisque/Black	Black/White/Black
Big view window		●	●	●	●	●	●
<b>Weights &amp; Dimensions</b>							
Cavity		21-9/16 x 10-9/16 x 14-13/16	21-29/32 x 9-1/2 x 14-19/32	20-1/4 x 9-9/32 x 14-13/32		19-5/16 x 9-5/16 x 13-3/16	
WxHxD (in inches)	Exterior †	29-7/8 x 16-11/32 x 15-7/16	29-7/8 x 16-13/32 (rear) x 15		29-7/8 x 16-1/2 (rear) x 14-15/16		29-7/8 x 15-7/8 x 14-15/16
Approx. shipping weight (lbs.)		72	68	67	67	67	67
<b>Power/Ratings</b>							
2450 Frequency (MHz)		●	●	●	●	●	●
Electrical input	Watts	1480	1480	1480	1480	1480	1480
@ 120V	Amperage	15	15	15	15	15	15
<b>Accessories</b>							
Cooking guide label		●	●	●	●	●	●
Oven rack(s)		1 (2-position)	1 (2-position)	1 (2-position)	1	1	1
<b>Warranty</b>							
Full one-year in-home warranty††		●	●	●	●	●	●
Limited nine-year magnetron warranty†† (10 years total)		●	●	●	●	●	●

\*Non-vented model.  
 \*\*SS = Stainless steel, WW = White on white, CC = Bisque on bisque, AA = Almond on almond, BB = Black on black.  
 †Exterior dimensions: depth excludes handle.  
 ††See warranty for details.

**NOTE:** Convenience popcorn pad designed for use with 3 package sizes—3.5, 3.0 and 1.75 oz.

This information is not intended to be used for installing unit described. Before installing, consult installation instructions packed with product/kit for current dimensional data.





# Microwave Ovens

	GE Profile™		GE		
	Convection	Extra-Large	Extra-Large	Family-Size	Mid-Size
	JE1590SH JE1590WH JE1590CH JE1590BH	JE2160SF JE2160WF JE2160CF JE2160BF	JE1860SH JE1860WH JE1860CH JE1860BH	JE1460WF JE1460BF	JE1160WD JE1160BD
<b>Capacity</b>					
Oven cavity (cu. ft.)	1.5	2.1	1.8	1.4	1.1
<b>Features</b>					
Watts (IEC-705 Test Procedure)	1000	1200	1100	1150	1100
Electronic touch controls	Tactile Switches/Dial	●	●	●	●
Scrolling display with Help Pad	2-Line	●	●	●	Help Only
Demo mode		●	●	●	
Electronic digital display w/clock	●	●	●	●	●
Display On/Off		●	●	●	●
Convection Cook	●				
Pads Combination Cook	●				
Sensor controls Popcorn	●	●	●	●	●
Beverage	●	●	●	●	
Reheat	●	●	●	●	●
Vegetable		●	●	●	Fresh/Frozen
Potato		●	●	●	●
Chicken/Fish		●	●	●	-/●
Rice					●
Soup					●
Frozen Dinner					●
Express Cook		●	●	●	●
Instant On controls	●	●	●	●	●
Time cook	I & II	I & II	I & II	I & II	I & II
Add 30 seconds	●	●	●	●	●
Auto/Time Defrost	●	●	●	●	●
Quick Defrost	●				
Power levels	10	10	10	10	10
Turntable	Recessed	●	On/Off	Recessed	●
Kitchen timer	Timer On/Off	Timer On/Off	Timer On/Off	Timer On/Off	●
Delay Start/Reminder			●	●	
Variable beeper control	●	●	●	●	●
Cooking complete reminder	●	●	●	●	●
Child lockout	●	●	●	●	●
<b>Appearance</b>					
Color appearance	Stainless steel White on white Bisque on bisque Black on black	Stainless steel White on white Bisque on bisque Black on black	Stainless steel White on white Bisque on bisque Black on black	White on white Black on black	White on white Black on black
Case color	Black Bisque Black	Black White Bisque Black	Black White Bisque Black	White White Black	White Black
Door color	Stainless steel Bisque Black	Stainless steel White Bisque Black	Stainless steel White Bisque Black	White White Black	White Black
<b>Weights &amp; Dimensions</b>					
Approx. shipping weight (lbs.)	59	51	48	45	37
WxHxD					
Cavity	15-1/4 x 10-7/8 x 15-1/4	17 x 11 x 19	17-1/16 x 9-3/4 x 18-3/8	14-13/16 x 9-7/8 x 16	13-11/16 x 8-1/2 x 14-15/16
(in inches) Exterior*	22-5/8 x 14-7/8 x 19-7/8	24 x 14 x 19-1/2	23-7/8 x 13-1/2 x 19-1/4	21-7/8 x 12-5/8 x 17-1/4	20-1/2 x 12 x 15-7/8
<b>Power/Ratings</b>					
2450 Frequency (MHz)	●	●	●	●	●
Electric input					
Watts	1500	1550	1550	1600	1500
@ 120V Amperage	13	13.9	13.6	13.5	13.0
<b>Accessories</b>					
Cooking guide label	●	●	●	●	●
Cookbook	●				
Oven rack	●				
Optional built-in kit	JX1530CSH/ JX1527CSH JX1530CWH/ JX1527CWH JX1530CCH/ JX1527CCH JX1530CBH/ JX1527CBH	JX2130CSH/ JX2127CSH JX2130CWH/ JX2127CWH JX2130CCH/ JX2127CCH JX2130CBH/ JX2127CBH	JX1830SB/ JX1827SB JX1830WB/ JX1827WB JX1830CB/ JX1827CB JX1830BB/ JX1827BB		
<b>Warranty</b>					
Full one-year warranty**	In-Home	In-Home	In-Home	Carry-In	Carry-In
Limited nine-year magnetron warranty** (10 years total)	●	●	●	●	●

\*Exterior dimensions: height includes feet, depth does not include handle. \*\*See written warranty for details.

**Note:** Refer to page 222 for dimensional data on Trim Kits (available at additional cost).

See pages 156-157 for warranty information.

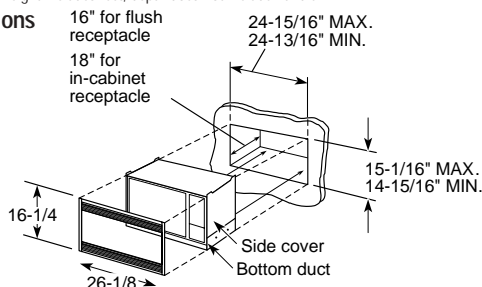
# Spacemaker II™ Microwave Ovens

# Microwave Ovens

	GE Profile™		GE®	
	JEM31SF	JEM31WF JEM31CF JEM31BF	JEM25WF	JEM25BF
<b>Capacity</b>				
Oven cavity (cu. ft.)	1.0	1.0	1.0	1.0
<b>Features</b>				
Watts (IEC-705 Test Procedure)	800	800	800	800
Electronic touch controls	●	●	●	●
Scrolling display with help	●	●		
Electronic digital display w/clock	●	●	●	●
Sensor controls				
Popcorn	●	●		
Beverage	●	●		
Reheat	●	●		
Vegetable	●	●		
Potato	●	●		
Chicken/Fish	●	●		
Convenience controls				
Popcorn			●	●
Beverage			●	●
Reheat			●	●
Snacks			●	●
Cook			●	●
Express Cook	●	●		
Instant On controls	●	●	●	●
Time cook I & II	●	●	●	●
Add 30 seconds	●	●	●	●
Auto/Time Defrost	●	●	●	●
Power levels	10	10	10	10
Turntable on/off	●	●	●	●
Kitchen timer	Timer On/Off	Timer On/Off	●	●
Cooking complete reminder	●	●	●	●
Delay Start/Reminder	●	●	●	●
Child lockout	●	●	●	●
<b>Appearance</b>				
Color appearance	Stainless Steel	White on white Bisque on bisque Black on black	White on white	Black on black
Door color	Stainless Steel	White Bisque Black	White	Black
Case color	Black	White Bisque Black	White	Black
<b>Weights &amp; Dimensions</b>				
Cavity	16-1/2 x 7-7/16 x 11-1/4			
WxHxD (in inches) Exterior †	23-25/32 x 11-3/16 x 12-9/32			
Approx. shipping weight (lbs.)	40	40	40	40
<b>Power/Ratings</b>				
2450 Frequency (MHz)	●	●	●	●
Electrical input Watts @ 120V	1300	1300	1300	1300
Amperage	11.5	11.5	11.5	11.5
<b>Accessories</b>				
Cooking guide label	●	●	●	●
Hanging kit (Pub. No. 4-A019)*	Optional	Optional	Optional	Optional
Optional built-in kit	JX827SS	JX827WN/CD/BN	JX827WN	JX827BN/SS
Right angle plug	●	●	●	●
<b>Warranty</b>				
Full one-year warranty**	In-Home	In-Home	In-Home	In-Home
Limited nine-year magnetron warranty** (10 years total)	●	●	●	●

\*Pub. No. 4-A019 is available at additional cost.  
 \*\*See written warranty for details.  
 †Exterior dimensions: height includes feet, depth does not include handle.

### Cutout Dimensions (in inches)



### Built-In Trim kit For 1.0 cu. ft. Microwave Ovens

For a custom built-in appearance, this kit allows built-in installation of the Spacemaker II microwave oven into a wall or cabinet alone, and is U.L.-approved for installation over a GE single electric wall oven. This kit should not be installed over a gas wall oven.

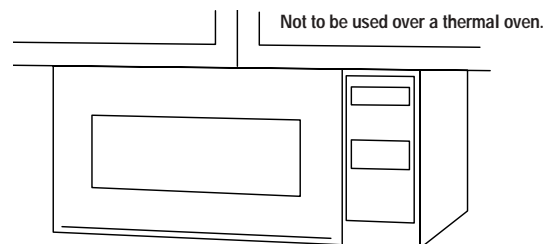
### Trim kits for Models JEM31 and JEM25

JX827SS—Stainless Steel, JX827WN—White, JX827CD—Bisque, JX827BN—Black  
 This information is not intended to be used for installing unit described. Before installing, consult installation instructions packed with product/kit for current dimensional data.

	GE	
	JE740WY JE740GY	JE620WF JE620BF
<b>Capacity</b>		
Oven cavity (cu. ft.)	.7	.6
<b>Features</b>		
Watts (IEC-705 Test Procedure)	700	650
Electronic touch controls	●	●
Electronic digital display w/clock	●	●
Mechanical dial		
Convenience controls		
Popcorn	●	
Beverage	●	
Reheat	●	
Snacks	●	
Cook	●	
Express Cook	●	
Instant On controls	●	
Time Cook	I & II	●
Add 30 seconds		
Auto/Time Defrost	●	- / ●
Power levels	10	10
Turntable	●	●
Kitchen timer	●	
Delay Start/Reminder	●	
Cooking complete reminder		●
Child lockout	●	
<b>Appearance</b>		
Color appearance*	WW BB	WW BB
Door color	WW BB	WW BB
Case color	White/ Greystone	White/Black
<b>Weights &amp; Dimensions</b>		
Cavity	12-1/16 x 7-11/16 x 12-1/16	11-13/32 x 7-3/64 x 12-7/16
WxHxD (in inches) Exterior**	19-1/4 x 10-13/16 x 13-9/16	18-9/64 x 9-23/32 x 12-27/32
Approx. shipping weight (lbs.)	33	24.4
<b>Power/Ratings</b>		
2450 Frequency (MHz)	●	●
Electrical input Watts @ 120V	1150	1000
Amperage	10.5	9.5
<b>Accessory</b>		
Cooking guide label	●	
Hanging kit (Pub. No. 4-A019)†	Optional	Optional
Right angle plug		●
<b>Warranty</b>		
Full one-year warranty††	Carry-In	Carry-In
Four-year magnetron warranty†† (Five years total)	Nine-Year (10 years total)	●

\*WW = White on white, BB = Black on black.  
 \*\*Exterior dimensions: height includes feet.  
 †Pub. No. 4-A019 is available at additional cost.  
 ††See written warranty for details.

### Undercabinet Mounting Kit Pub. No. 4-A019 for Spacemaker II and Microwave Oven Models (Available at additional cost)



### Undercabinet Installation

Install Spacemaker II microwave ovens in just a few easy steps with the mounting template, which provides all the necessary measurements.\* These microwave ovens can be installed on practically any wood or metal cabinets.

\*Installation may vary depending on cabinets.

**Note:** 120V, 60-cycle, grounded power receptacle location optional on back within cabinet opening.

# Microwave Oven Trim Kits

## 30" Deluxe Trim Kit for 2.1 cu. ft. Microwave Ovens

This trim kit allows for built-in installation of the 2.1 microwave oven in a wall or cabinet alone, or over a GE Profile™ 30" single electric wall oven.

### 30" Deluxe Trim Kits for Model JE2160

JX2130SH—Stainless Steel  
 JX2130WH—White  
 JX2130CH—Bisque  
 JX2130BH—Black

Model	"A"	30" Deluxe Trim Kit
JE2160SF	29-3/4"	JX2130SH
JE2160WF	29-3/4"	JX2130WH
JE2160CF	29-3/4"	JX2130CH
JE2160BF	29-3/4"	JX2130BH

## 27" Deluxe Trim Kit for 2.1 cu. ft. Microwave Ovens

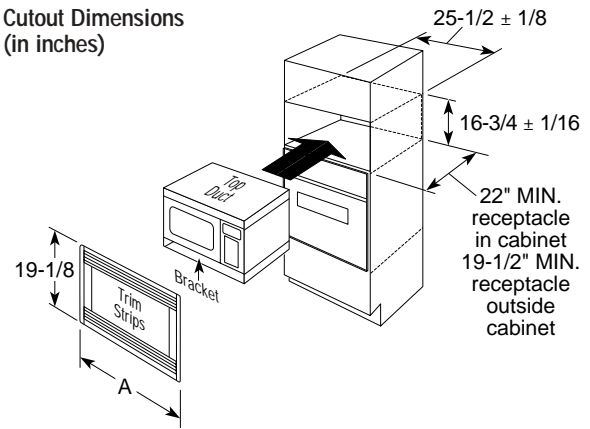
The 27" deluxe trim kit allows a 2.1 microwave oven to be built into a wall or cabinet alone, or over a GE 27" single electric wall oven for a complete one-piece, built-in, integrated appearance.

### 27" Deluxe Trim Kits for Model JE2160

JX2127SH—Stainless Steel  
 JX2127WH—White  
 JX2127CH—Bisque  
 JX2127BH—Black

Model	"A"	27" Deluxe Trim Kit
JE2160SF	26-5/8"	JX2127SH
JE2160WF	26-5/8"	JX2127WH
JE2160CF	26-5/8"	JX2127CH
JE2160GF	26-5/8"	JX2127BH

### Cutout Dimensions (in inches)



## 30" Deluxe Trim Kit for 1.8 cu. ft. Microwave Ovens

This trim kit allows for built-in installation of the 1.8 microwave oven in a wall or cabinet alone, or over a GE 30" single electric wall oven.

### 30" Deluxe Trim Kits for Model JE1860

JX1830SB—Stainless Steel  
 JX1830WB—White  
 JX1830CB—Bisque  
 JX1830BB—Black

Model	"A"	30" Deluxe Trim Kit
JE1860SH	29-3/4"	JX1830SB
JE1860WH	29-3/4"	JX1830WB
JE1860CH	29-3/4"	JX1830CB
JE1860BH	29-3/4"	JX1830BB

## 27" Deluxe Trim Kit for 1.8 cu. ft. Microwave Ovens

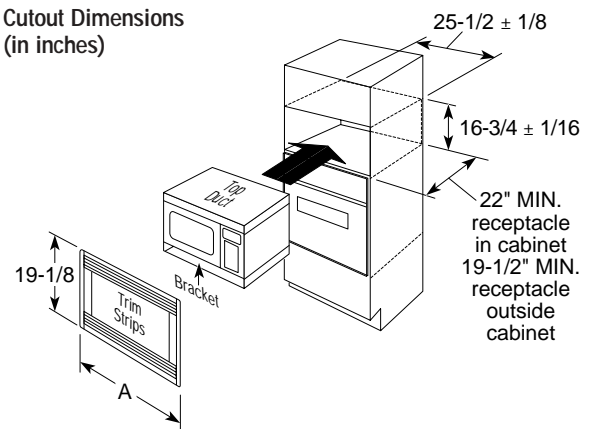
The 27" deluxe trim kit allows a 1.8 microwave oven to be built into a wall or cabinet alone, or over a GE 27" single electric wall oven for a complete one-piece, built-in, integrated appearance.

### 27" Deluxe Trim Kits for Model JE1860

JX1827SB—Stainless Steel  
 JX1827WB—White  
 JX1827CB—Bisque  
 JX1827BB—Black

Model	"A"	27" Deluxe Trim Kit
JE1860SH	26-7/8"	JX1827SB
JE1860WH	26-7/8"	JX1827WB
JE1860CH	26-7/8"	JX1827CB
JE1860BH	26-7/8"	JX1827BB

### Cutout Dimensions (in inches)



## Deluxe Trim Kits for 1.5 cu. ft. GE Profile Microwave Ovens

Built-in trim kits allow installation in a wall, cabinet alone, or over a GE 30" or 27" single electric wall oven. Use a convection wall oven under these convection microwave ovens for a complete convection cooking center.

### 30" Deluxe Trim Kits for Model JE1590

JX1530CSH—Stainless  
 JX1530CWH—White  
 JX1530CCH—Bisque  
 JX1530CBH—Black

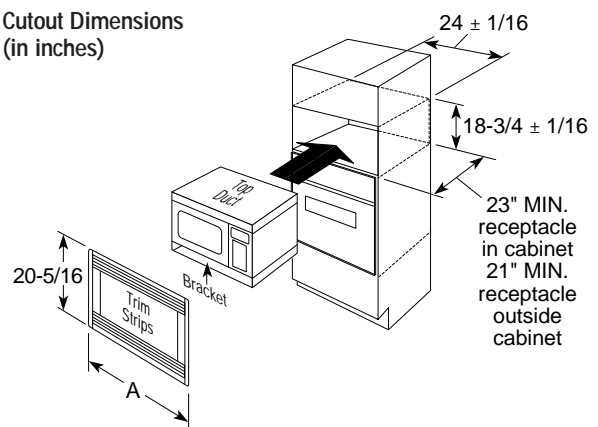
Model	"A"	30" Deluxe Trim Kit
JE1590SH	29-3/4"	JX1530CSH
JE1590WH	29-3/4"	JX1530CWH
JE1590CH	29-3/4"	JX1530CCH
JE1590BH	29-3/4"	JX1530CBH

### 27" Deluxe Trim Kits for Model JE1590

JX1527CSH—Stainless  
 JX1527CWH—White  
 JX1527CCH—Bisque  
 JX1527CBH—Black

Model	"A"	27" Deluxe Trim Kit
JE1590SH	26-3/4"	JX1527CSH
JE1590WH	26-3/4"	JX1527CWH
JE1590CH	26-3/4"	JX1527CCH
JE1590BH	26-3/4"	JX1527CBH

### Cutout Dimensions (in inches)



This information is not intended to be used for installing unit described. Before installing, consult installation instructions packed with product/kit for current dimensional data.



# GE Profile™ Stainless Built-In Dishwashers

Refrigeration

Cooking Products

Microwave Ovens

Dishwashers

Clothes Care

Water Systems

Air Conditioning

Features	GE Profile							
	ENERGY STAR® PDW9880JSS PDW9800JWW PDW9800JCC PDW9800JBB	ENERGY STAR PDW9700JII	ENERGY STAR PDW9280JSS PDW9200JWW PDW9200JCC PDW9200JBB	ENERGY STAR PDW8680JSS PDW8600JWW PDW8600JCC PDW8600JBB	ENERGY STAR PDW8500JWW PDW8500JCC PDW8500JBB	ENERGY STAR PDW8480JSS PDW8400JWW PDW8400JCC PDW8400JBB	ENERGY STAR PDW8280JSS PDW8200JWW PDW8200JCC PDW8200JBB	
<b>Features</b>								
Front appearance	Stainless steel	Stainless steel	Stainless steel	Stainless steel	Stainless steel	Stainless steel	Stainless steel	
Upscale flush design	●	●	●	●	●	●	●	
Long door design	Full color wrap	●	Full color wrap	One-piece color wrap	●	One-piece color wrap	One-piece color wrap	
Wash system	ExtraClean™	ExtraClean	ExtraClean	ExtraClean	ExtraClean	ExtraClean	ExtraClean	
Wash arms	3-direct feed	3-direct feed	3-direct feed	3-direct feed	3-direct feed	3-direct feed	3-direct feed	
Wash levels	6	6	6	6	6	6	6	
Water filtration	100% triple with ExtraFine™ filter	100% triple with ExtraFine filter	100% triple with ExtraFine filter	100% triple with ExtraFine filter	100% triple with ExtraFine filter	100% triple with ExtraFine filter	100% triple with ExtraFine filter	
Dual pumps and motors	●	●	●	●	●	●	●	
Hard food disposer	Piranha™	Piranha	Piranha	Piranha	Piranha	Piranha	Piranha	
Sensor	ExtraClean	ExtraClean	ExtraClean	ExtraClean	ExtraClean	ExtraClean	ExtraClean	
Automatic temperature control	●	●	●	●	●	●	●	
Electronic controls	Light-touch, top controls	Light-touch, top controls	Light-touch, top controls	Light-touch	Light-touch	Light-touch	Light-touch	
Cycle progress indicators	Countdown display with 6 status lights	Countdown display with 6 status lights	1 "Clean" light 1 "Sanitized" light	Countdown display with 6 status lights	Countdown display with 6 status lights	Countdown display with 6 status lights	1 "Clean" light 1 "Sanitized" light	
Touchpads	Top controls	Top controls	Top controls	12	12	11	9	
Selections/Enhancements	Variable*	Variable*	Variable*	Variable*	Variable*	Variable*	Variable*	
Last cycle memory	●	●	●	●	●	●	●	
Audible end-of-cycle signal	●	●	●	●	●	●	●	
Selections								
Anti-bacterial (NSF**)	●	●	●	●	●	●	●	
Cookware	●	●	●	●	●	●	●	
Normal Wash	●	●	●	●	●	●	●	
China/Crystal	●	●	●	●	●	●	●	
Glasses	●	●	●	●	●	●	●	
Plastics Cycle	●	●	●	●	●	●	●	
SpeedCycle™ (wash & dry)	●	●	●	●	●	●	●	
Rinse Only	●	●	●	●	●	●	●	
Enhancements								
Delay Start	1-24-hour	1-24-hour	2/4/8-hour	1-9-hour	1-9-hour	1-9-hour	2/4/8-hour	
Hi-Temp Wash	Added heat	Added heat	Added heat	Added heat	Added heat	Added heat	Added heat	
Hi-Temp Rinse	Auto w/added heat	Auto w/added heat	Auto w/added heat	Auto w/added heat	Auto w/added heat	Auto w/added heat	Auto w/added heat	
PreWash	●	●	●	●	●	●	●	
Heated Dry	●	●	●	●	●	●	●	
HotStart™	Automatic	Automatic	Automatic	Automatic	Automatic	Automatic	Automatic	
Child lock	●	●	●	●	●	●	●	
Racking								
Nylon racking system	Pearlescent™ Tall-Over-Tall™	Pearlescent Tall-Over-Tall	Color-matched Tall-Over-Tall	Pearlescent Tall-Over-Tall	Pearlescent Tall-Over-Tall	Pearlescent Tall-Over-Tall	Color-matched Tall-Over-Tall	
Adjustable upper rack with CleanTip tines	4-position	4-position	4-position	4-position	4-position	4-position	4-position	
Removable upper rack†	Nylon deep tiered	Nylon deep tiered	Nylon deep tiered	Nylon deep tiered	Nylon deep tiered	Nylon deep tiered	Nylon deep tiered	
Lower rack with CleanTip tines	Nylon towerless	Nylon towerless	Nylon towerless	Nylon towerless	Nylon towerless	Nylon towerless	Nylon towerless	
Fold-down tine flexibility	4 sets with 2 multi-position, upper; 100% with adaptable bowl tines, lower	4 sets with 2 multi-position, upper; 100% with adaptable bowl tines, lower	2 lower	4 upper with 2 multi-position/ 100% lower	4 upper with 2 multi-position/ 100% lower	2 upper with 1 multi-position/ 2 lower	2 lower	
Utility shelves	3 Pearlescent metal StemSafe™ upper	3 Pearlescent metal StemSafe upper	2 upper	4 w/StemSafe upper	4 w/StemSafe upper	2 w/StemSafe upper	2 upper	
Silverware basket	Super capacity 3-pc. ExtraBasket™, cutlery tray	Super capacity 3-pc. ExtraBasket, cutlery tray	Super capacity w/2 cell covers	Super capacity 3-pc. and ExtraBasket	Super capacity 3-pc. and ExtraBasket	Super capacity 3-pc.	Super capacity w/2 cell covers	
Hard countertop installation	Ready	Ready	Ready	Ready	Ready	Ready	Ready	
Calrod® heater	Multi-wattage	Multi-wattage	Multi-wattage	Multi-wattage	Multi-wattage	Multi-wattage	Multi-wattage	
Rinse aid dispenser	w/Indicator and adjustment	w/Indicator and adjustment	w/Indicator and adjustment	w/Indicator and adjustment	w/Indicator and adjustment	w/Indicator and adjustment	w/Indicator and adjustment	
Latch	Squeeze	Squeeze	Squeeze	Squeeze	Squeeze	Squeeze	Squeeze	
<b>Quiet</b>								
Sound insulation package	QuietPower VI	QuietPower VI	QuietPower VI	QuietPower V	QuietPower V	QuietPower V	QuietPower V	
Thinstall™ with heat-bonded bitumen	Thinstall™ with heat-bonded bitumen	Thinstall with heat-bonded bitumen	Thinstall with heat-bonded bitumen	Thinstall with heat-bonded bitumen	Thinstall with heat-bonded bitumen	Thinstall with heat-bonded bitumen	Thinstall with heat-bonded bitumen	
Door insulation	With bitumen	With bitumen	With bitumen	With bitumen	With bitumen	With bitumen	With bitumen	
QuietPower™ motor	●	●	●	●	●	●	●	
ActiveVent system	Concealed w/ fan-assist dry	Concealed w/ fan-assist dry	Concealed w/ fan-assist dry	●	●	●	●	
Tub collar trim	●	●	●	●	●	●	●	
Electronic control system	●	●	●	●	●	●	●	
Quiet water valve	●	●	●	●	●	●	●	
<b>Appearance</b>								
Colors available***	SS, WW, CC, BB	Panel required	SS, WW, CC, BB	SS, WW, CC, BB	WW, CC, BB	SS, WW, CC, BB	SS, WW, CC, BB	
<b>Weights &amp; Dimensions</b>								
Height w/legs retracted (in.)	34	34	34	34	34	34	34	
Overall width (in.)	24	24	24	24	24	24	24	
Overall depth (in.)	25-1/4"	24"	25-1/4"	25-1/4"	25-1/4"	25-1/4"	25-1/4"	
Approx. shipping weight (lbs.)	105	105	105	105	105	105	105	
<b>Accessories</b>								
Requires kit for 1/4" panel capability with trim	N/A	N/A	N/A	N/A	GPF825W/C/B	N/A	N/A	
Requires kit for trimless 3/4" panel capability	N/A	Panel ready‡	N/A	N/A	GPF875W/C/B	N/A	N/A	

\*Sensor controlled.  
 \*\*Certified by National Sanitation Foundation.  
 \*\*\*SS = Stainless steel, WW = White on white, CC = Bisque on bisque, BB = Black on black.

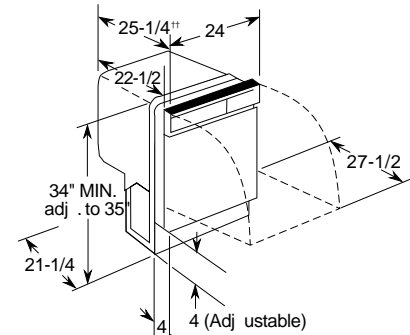
† For best results, use shower nozzle attachment when upper rack is removed.  
 †† Allow an additional 2 inches for the handle.  
 ††† Add 3/4" for custom panel and additional room for custom handle.  
 ‡ The most common panel dimensions are 30-1/4"H by 23-3/4"W.  
 See template supplied with dishwasher for details on other custom sizes.

# GE Profile™ Built-In Dishwashers

Features	GE Profile		
	ENERGY STAR PDW7880JSS PDW7800JWW PDW7800JCC PDW7800JBB	ENERGY STAR PDW7700JWW PDW7700JCC PDW7700JBB	ENERGY STAR PDW7300JWW PDW7300JCC PDW7300JBB
Tub and door liner	PermaTuf®	PermaTuf	PermaTuf
Front appearance	Contour door	Flat door	Contour door
Upscale flush design	●	●	●
Long door design	One-piece color wrap	●	One-piece color wrap
Wash system	ExtraClean™	ExtraClean	ExtraClean
Wash arms	3-direct feed	3-direct feed	3-direct feed
Wash levels	6	6	6
Water filtration	100% triple with ExtraFine™ filter	100% triple with ExtraFine filter	100% triple with ExtraFine filter
Dual pumps and motors	●	●	●
Hard food disposer	Piranha™	Piranha	Piranha
Sensor	ExtraClean	ExtraClean	ExtraClean
Automatic temperature control	●	●	●
Electronic controls	Light-touch	Light-touch	Light-touch
Cycle progress indicators	Countdown display with 6 status lights	Countdown display with 6 status lights	Countdown display with 6 status lights
Touchpads	12	12	11
Selections/Enhancements	Variable*	Variable*	Variable*
Last cycle memory	●	●	●
Selections			
Anti-bacterial (NSF**)	●	●	●
Cookware	●	●	●
Normal Wash	●	●	●
China/Crystal	●	●	●
Glasses	●	●	●
SpeedCycle™ (wash & dry)	●	●	●
Rinse Only	●	●	●
Enhancements			
Delay Start	1-9-hour	1-9-hour	1-9-hour
Hi-Temp Wash	Added heat	Added heat	Added heat
Hi-Temp Rinse	Auto w/added heat	Auto w/added heat	Auto w/added heat
PreWash	●	●	●
Heated Dry	●	●	●
HotStart™	Automatic	Automatic	Automatic
Child lock	●	●	●
Racking			
Nylon racking system	Tall-Over-Tall™	Tall-Over-Tall	Tall-Over-Tall
Adjustable upper rack with CleanTip tines	4-position deep tiered	4-position deep tiered	4-position deep tiered
Lower rack w/CleanTip tines	Towerless	Towerless	Towerless
Fold-down tine flexibility	4 w/ 2 multi-position upper/ 100% lower	4 w/ 2 multi-position upper/ 100% lower	2 w/ 1 multi-position upper/ 2 lower
Utility shelves	4 w/StemSafe™ upper	4 w/StemSafe upper	4 w/StemSafe upper
Silverware basket	Super capacity 3-pc. and ExtraBasket™	Super capacity 3-pc. and ExtraBasket	Super capacity 3-piece
Accessory basket	●	●	●
Hard countertop installation	Ready	Ready	Ready
Calrod® heater	Multi-wattage	Multi-wattage	Multi-wattage
Rinse aid dispenser	w/Indicator and adjustment	w/Indicator and adjustment	w/Indicator and adjustment
Latch	Squeeze	Squeeze	Squeeze
Quiet			
Sound insulation package	QuietPower IV	QuietPower IV	QuietPower IV
Tub insulation	ThinInstall™ Plus	ThinInstall Plus	ThinInstall Plus
Door insulation	w/mastic	w/mastic	w/mastic
QuietPower™ motor	●	●	●
ActiveVent system	●	●	●
Tub collar trim	●	●	●
Electronic control system	●	●	●
Quiet water valve	●	●	●
Appearance			
Colors available***	SS, WW, CC, BB	WW, CC, BB	WW, CC, BB
Weights & Dimensions			
Height w/legs retracted (in.)	34	34	34
Overall width (in.)	24	24	24
Overall depth (in.)	25-1/4	25-1/4	25-1/4
Approx. shipping weight (lbs.)	90	90	90
Accessories			
Requires kit for 1/4" panel capability with trim	N/A	GPF825W/C/B	N/A
Requires kit for trimless 3/4" panel capability	N/A	GPF875W/C/B	N/A

\*Sensor controlled.  
 \*\*Certified by National Sanitation Foundation.  
 \*\*\*SS = Stainless steel, WW = White on white, CC = Bisque on bisque, BB = Black on black.

## Profile Built-In Dishwasher Dimensions—excluding PDW9700JII (in inches)

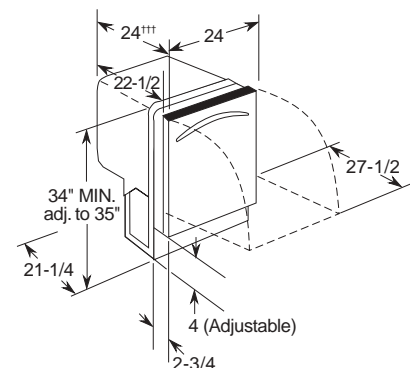


††Allow an additional 2" for the handle on PDW9800/9200 Series models.

## Electrical Rating

Voltage AC .....120  
 Hertz .....60  
 Total connected load amperage.....9.1  
 Calrod heater watts max. ....875  
 For use on adequately wired 120-volt, 15-amp circuit having 2-wire service with a separate ground wire. This appliance must be grounded for safe operation.

## Built-In Dishwasher Dimensions—PDW9700JII (in inches)



†††Add 3/4" for custom panel and additional room for custom handle

## Electrical Rating

Voltage AC .....120  
 Hertz .....60  
 Total connected load amperage.....9.1  
 Calrod heater watts max. ....875  
 For use on adequately wired 120-volt, 15-amp circuit having 2-wire service with a separate ground wire. This appliance must be grounded for safe operation.



As an ENERGY STAR® partner, GE has determined that this product meets the ENERGY STAR® guidelines for energy efficiency.



Listed by Underwriters Laboratories

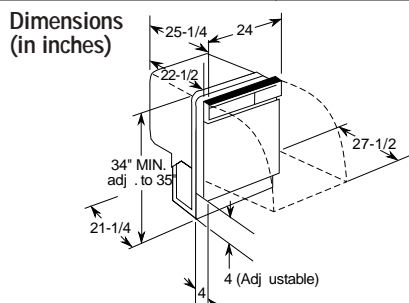
# GE Triton™ XL Built-In Dishwashers

# GE Triton Built-In Dishwashers

Features	GE			
	ENERGY STAR™	ENERGY STAR	ENERGY STAR	ENERGY STAR
	GSD6860JSS	GSD6900JWW GSD6900JCC GSD6900JBB	GSD6660GSS GSD6600GWW GSD6600GCC GSD6600GBB	GSD6260JSS GSD6200JWW GSD6200JCC GSD6200JBB
Front appearance	Flat door	Contour door	Flat door	Flat door
Upscale flush design	●	●	●	●
Long door design	●	●	●	●
Wash system	XtraClean™	XtraClean	XtraClean	XtraClean
Wash arms	3-direct feed	3-direct feed	3-direct feed	3-direct feed
Wash levels	6	6	6	6
XtraFine™ filter	100% triple	100% triple	100% triple	100% triple
Dual pumps and motors	●	●	●	●
Hard food disposer	Piranha	Piranha	Piranha	Piranha
Sensor	XtraClean	XtraClean	XtraClean	XtraClean
Automatic temperature control	●	●	●	●
Electronic controls	Light-touch	Light-touch	Light-touch	Light-touch
Cycle progress indicators	Countdown display, 6 status lights	Countdown display, 6 status lights	6 status lights	1 "Clean" light, 1 "Sanitized" light
Touchpads	10	10	10	9
Cycles/Options	Variable*	Variable*	Variable*	Variable*
Last cycle memory	●	●	●	●
Cycles				
Anti-bacteria (NSF**)	●	●	●	●
Pots & Pans cycle	●	●	●	●
Normal Wash	●	●	●	●
China/Crystal	●	●	●	●
SpeedCycle (wash & dry)	●	●	●	●
Rinse Only	●	●	●	●
Options				
Delay Start option	1-9-hour	1-9-hour	2/4/8-hour	2/4/8-hour
Hi-Temp Wash	XtraHot Wash	XtraHot Wash	XtraHot Wash	XtraHot Wash
Hi-Temp Rinse	Auto w/XtraHot Wash	Auto w/XtraHot Wash	Auto w/XtraHot Wash	Auto w/XtraHot Wash
Heated Dry	●	●	●	●
HotStart	Automatic	Automatic	Automatic	Automatic
Child lock option	●	●	●	●
Racking				
Racking system	Tall-Over-Tall	Tall-Over-Tall	Tall-Over-Tall	Tall-Over-Tall
Upper rack	4-position, adjustable nylon deep tiered	4-position, adjustable nylon deep tiered	Nylon deep tiered	Deep tiered
Lower rack	Nylon towerless	Nylon towerless	Nylon towerless	Towerless
Fold-down tine flexibility	1 multi-position upper/2 lower	1 multi-position upper/2 lower	2 lower	
Utility shelves	4 upper	4 upper	2 upper	2 upper
Silverware basket	Super capacity 3-piece	Super capacity 3-piece	Super capacity 3-piece	Super capacity 3-piece
Hard countertop installation	GPF65 Kit	GPF65 Kit	GPF65 Kit	GPF65 Kit
Calrod heater	Multi-wattage w/Indicator and adjustment	Multi-wattage w/Indicator and adjustment	Multi-wattage w/Indicator and adjustment	Multi-wattage w/Indicator and adjustment
Rinse aid dispenser	Squeeze	Squeeze	Squeeze	Squeeze
Latch				
Quiet				
Sound insulation package	QuietPower IV	QuietPower IV	QuietPower IV	QuietPower III
Tube insulation	Thinstall Plus	Thinstall Plus	Thinstall Plus	T-blanket
Door insulation and mastic	●	●	●	●
QuietPower motor	●	●	●	●
ActiveVent II system	●	●	●	●
Tube collar trim	●	●	●	●
Electronic control system	●	●	●	●
PermaTuf™ tub and door liner	●	●	●	●
Appearance				
Colors available***	SS	WW, CC, BB	SS, WW, CC, BB	SS, WW, CC, BB
Weights & Dimensions				
Height w/legs retracted (in.)	34	34	34	34
Overall width (in.)	24	24	24	24
Overall depth (in.)	25-1/4	25-1/4	25-1/4	25-1/4
Approx. shipping weight (lbs.)	90	90	90	90
Accessories				
Requires kit for 1/4" panel capability with trim	N/A	N/A	GPF825W/C/B	GPF825W/C/B
Requires kit for trimless 3/4" panel capability	N/A	N/A	GPF875W/C/B	GPF875W/C/B

\*Sensor controlled.  
 \*\*Certified by National Sanitation Foundation.  
 \*\*\*SS = Stainless steel, WW = White on white, CC = Bisque on bisque, BB = Black on black.

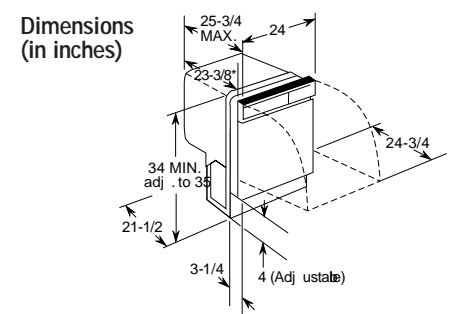
**Electrical Rating**  
 Voltage AC .....120  
 Hertz.....60  
 Total connected load amperage.....9.1  
 Calrod heater watts max.....875  
 For use on adequately wired 120-volt, 15-amp circuit having 2-wire service with a separate ground wire. This appliance must be grounded for safe operation.



Features	GE	
	ENERGY STAR	ENERGY STAR
	GSD5560GSS	GSD5500GWW GSD5500GCC GSD5500GBB
Wash system	TriClean™	TriClean
Dual pumps and motors	●	●
Wash arms	3	3
Wash levels	6	6
Water filtration	100% Triple	100% Triple
Hard food disposer	Piranha	Piranha
CleanSensor	●	●
Cycles	Variable*	Variable*
Pots & Pans	●	●
Normal Wash	●	●
Light Wash	●	●
China/Crystal	●	●
SaniWash	●	●
Rinse Only	●	●
Options	Variable	Variable
Delay Start option	2/4/8-hour	2/4/8-hour
Heated Dry	●	●
Child lock option	●	●
Racks, shelf & basket		
Upper rack	Super	Super
Lower rack	Super	Super
Utility shelves	2	2
Silverware basket	Super capacity w/1 cell cover	Super capacity w/1 cell cover
Control type	Electronic	Electronic
Cycle progress indicators	6 LEDs	6 LEDs
Touchpads	10	10
Rinse aid dispenser	w/Indicator	w/Indicator
Center throw door latch	●	●
Quiet		
Sound insulation package	QuietPower II	QuietPower II
PermaTuf tub and door liner	●	●
QuietPower motor	●	●
Appearance		
Colors available**	SS	WW, CC, BB
Color panels—door & access	Trimless	Trimless
Weights & Dimensions		
Height w/legs retracted (in.)	34	34
Overall width (in.)	24	24
Overall depth (in.)	25-3/4	25-3/4
Approx. shipping weight (lbs.)	80	80
Accessories		
Requires kit for 1/4" panel capability with trim	N/A	GPF425W/C/B
Requires kit for trimless 3/4" panel capability	N/A	GPF475

All GE dishwashers are equipped with the following: 120°F inlet water capability, Easy-Glide roller system, convection drying, horizontal mechanism, leveling screws.  
 \*Sensor controlled.  
 \*\*Colors available: SS = Stainless Steel, WW = White on white, CC = Bisque on bisque, BB = Black on black.

**Electrical Rating**  
 Voltage AC .....120  
 Hertz.....60  
 Total connected load amperage.....8.2  
 Calrod heater watts .....725  
 For use on adequately wired 120-volt, 15-amp circuit having 2-wire service with a separate ground wire. This appliance must be grounded for safe operation.



Refrigeration  
 Cooking Products  
 Microwave Ovens  
 Dishwashers  
 Clothes Care  
 Water Systems  
 Air Conditioning



# GE® Built-In Dishwashers

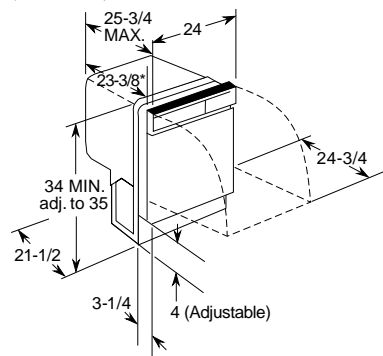
GE						
	ENERGY STAR® GSD4260JSS GSD4200JWW GSD4200JCC GSD4200JBB	ENERGY STAR GSD3200JWW GSD3200JCC GSD3200JBB	ENERGY STAR GSD2200GWW* GSD2200GCC GSD2200GBB	ENERGY STAR GSD2000GWW* GSD2000GCC GSD2000GBB	GSD1900GWH	
<b>Features</b>						
Wash system	PowerScrub™	PowerScrub	PowerScrub	Standard	Standard	Standard
Wash levels	5	5	5	2	2	2
Water filtration	Dual	Dual	Dual			
Food disposer	Piranha™	Piranha	Piranha	●	●	●
Cycles	5	7	5	5	4	4
Pots & Pans	●	●	●	●		
Heavy Wash		●			Dial	Dial
Normal Wash	●	●	●	●	Dial	Dial
Light Wash	●					
China/Crystal	●	●				
Short Wash		Dial	Dial	Dial	Dial	Dial
Plate Warmer		Dial	Dial	Dial		
Rinse Only	●	Dial	Dial	Dial	Dial	Dial
Options	34	39	22	12	9	9
Delay Start option	2/4/8-hour	1-6-hour				
Heated Dry	●	●	●	●	Rocker	Rocker
Hi-Temp Wash	●	●	●			
Hi-Temp Rinse	●					
HotStart™		●	Dial	Dial	Dial	Dial
Child lock option	●					
Racks, shelf & basket						
Upper rack	Deluxe Plus	Deluxe Plus	Deluxe	Standard	Standard	Standard
Lower rack	Deluxe	Deluxe	Deluxe	Deluxe	Deluxe	Deluxe
UtILITY shelves	2	2				
Silverware basket	Deluxe	Deluxe	Deluxe	Deluxe	Deluxe	Deluxe
Control type	Electronic	TouchTap	Turn-to-start	Turn-to-start	Turn-to-start	Turn-to-start
Cycle progress indicator(s)	1 "Clean"	1 "Cycle On"	Dial	Dial	Dial	Dial
Touchpads	11	8				
Pushbuttons			6	4		
Rinse aid dispenser	w/Indicator	w/Indicator	●	●	●	●
Center throw door latch	●	●	●	●	●	●
<b>Quiet</b>						
Sound insulation package	QuietPower I	QuietPower I	QuietPower I	QuietDesign™	Standard	Standard
PermaTuf® tub/door liner	●	●	●	●	●	●
QuietPower™ motor	●	●	●	●	●	●
<b>Appearance</b>						
Colors available**	WW, CC, BB	SS, WW, CC, BB	WW, CC, BB	WW, CC, BB	WW, CC, BB	WH
Color panels—door & access	Trimless	Trimless	Trimless	Trimless	Trimless	Trimless
<b>Weights &amp; Dimensions</b>						
Height w/legs retracted (in.)	34	34	34	34	34	34
Overall width (in.)	24	24	24	24	24	24
Overall depth (in.)	25-3/4	25-3/4	25-3/4	25-3/4	25-3/4	25-3/4
Approx. shipping weight (lbs.)	80	80	80	80	80	80
<b>Accessories</b>						
Requires kit for 1/4" panel capability with trim	GPF425W/C/B	GPF425W/C/B	GPF325W/C/B	GPF325W/C/B	GPF325W/C/B	GPF325W
Requires kit for trimless 3/4" panel capability	GPF475	GPF475	GPF375	GPF375	GPF375	GPF375

All GE Dishwashers are equipped with the following: 120°F inlet water capability, Easy-Glide roller system, convection drying, horizontal mechanism, leveling screws.

\*GSD2201GWW and GSD2001GWW available with power cord attached.

\*\*Colors available: SS = Stainless steel, WW = White on white, CC = Bisque on bisque, BB = Black on black, WH = White body w/black control panel.

## GE Built-In Dishwasher Dimensions (in inches)



## Electrical Rating

Voltage AC .....120  
 Hertz .....60  
 Total connected load amperage .....6.2  
 Calrod® heater watts .....500  
 For use on adequately wired 120-volt, 15-amp circuit having 2-wire service with a separate ground wire. This appliance must be grounded for safe operation.



As an ENERGY STAR® partner, GE has determined that this product meets the ENERGY STAR® guidelines for energy efficiency.



Listed by Underwriters Laboratories

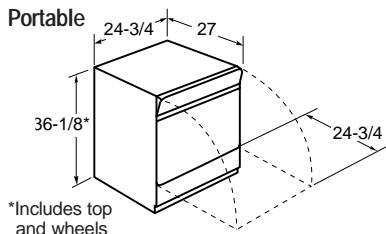
# GE Nautilus™ Convertible Dishwashers

# GE Spacemaker® Built-In 18" Dishwasher

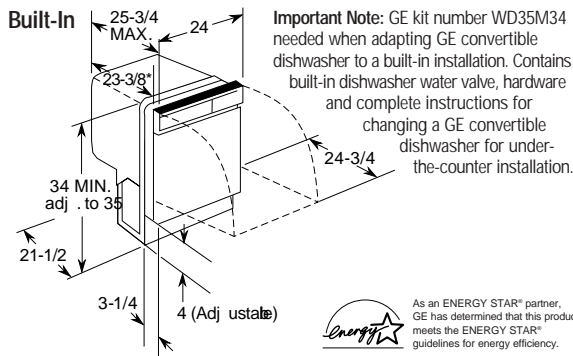
Features	GE	
	ENERGY STAR	ENERGY STAR
	GSC3400JWW GSC3400JBB	GSC3200JWW GSC3200JBB
Wash system	PowerScrub	PowerScrub
Wash levels	5	5
Water filtration	Dual	Dual
Hard food disposer	Piranha	Piranha
Cycles	7	5
Pots & Pans	●	●
Heavy Wash	●	●
Normal Wash	●	●
China/Crystal	●	●
Short Wash	Dial	Dial
Plate Warmer	Dial	Dial
Rinse Only	Dial	Dial
Options	39	22
Delay Start option	1-6-hour	
Heated Dry	●	●
Energy Saver	●	
Hi-Temp wash	●	●
HotStart	●	Dial
Racks (upper/lower)	Deluxe Plus/Deluxe	Deluxe Plus/Deluxe
Silverware basket	Deluxe split w/2 cell covers	Deluxe
Cycle progress indicator	1 "Cycle On"	Dial
TouchTap™ controls	8	
Pushbuttons		6
Rinse aid dispenser	w/Indicator	●
Center throw door latch	●	●
Quiet		
Sound insulation package	QuietDesign	QuietDesign
PermaTuf tub and door liner	●	●
QuietPower motor	●	●
Sealed toe-kick	●	●
Appearance		
Colors available*	WW, BB	WW, BB
Color panels—door & access	Trimless	Trimless
Decorative wood laminate top	Woodgrain	Woodgrain
Weights & Dimensions		
Overall height w/legs extended (in.)	36-3/8	36-3/8
Overall width (in.)	24-7/8	24-7/8
Overall depth (in.)	27	27
Approx. shipping weight (lbs.)	130	130
Accessories		
Requires kit for 1/4" panel capability with trim	GPF425W/B	GPF325W/B
Requires kit for trimless 3/4" panel capability	GPF475	GPF375

\*Colors available: WW = White on white, BB = Black on black.

## Convertible Dishwasher Dimensions (in inches)



\*Includes top and wheels



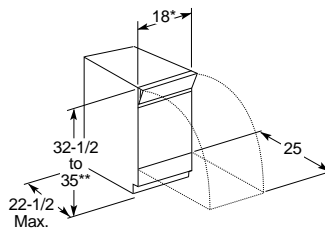
As an ENERGY STAR® partner, GE has determined that this product meets the ENERGY STAR® guidelines for energy efficiency.

Features	GE	
	ENERGY STAR	ENERGY STAR
	GSM1800JWW GSM1800JBB	GSS1800HWW GSS1800HBB
Wash system	Stainless steel	Plastic
Wash levels	2	2
Cycles	7	6
Pots & Pans	Dial	Dial
Heavy Wash	Dial	Dial
Normal Wash	Dial	Dial
Light Wash	Dial	Dial
China/Crystal	Dial	Dial
Plate Warmer	Dial	Dial
Rinse Only	Dial	Dial
Options	12	10
Heated Dry	Rocker	Rocker
Racks (upper/lower)	Standard	Standard
Utility shelves	●	
Silverware basket	Standard	Standard
Control type	Turn-to-start	Turn-to-start
Cycle progress indicator	Dial	Dial
Rinse aid dispenser	●	●
120°F inlet water capability	●	●
Leveling screws	●	●
Economical/Quiet		
Tube insulation	Standard	Standard
Appearance		
Colors available	White/Black	White/Black
Weights & Dimensions		
Height w/legs retracted (in.)	32-1/2	34-1/8
Overall width (in.)	18	18
Overall depth (in.)	22-1/2	25-3/8
Approx. shipping weight (lbs.)	70	70
Accessories		
Requires kit for 1/4" panel capability with trim	GPF18W/B	N/A
Requires kit for 3/16" panel capability with trim	N/A	GPF18



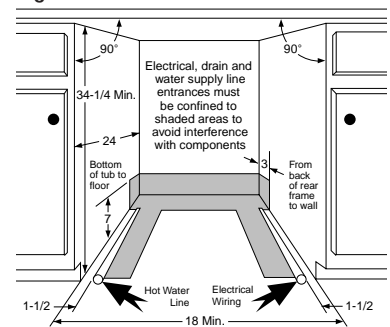
As an ENERGY STAR® partner, GE has determined that this product meets the ENERGY STAR® guidelines for energy efficiency.

## Spacemaker Built-In Dimensions GSM1800J (in inches)

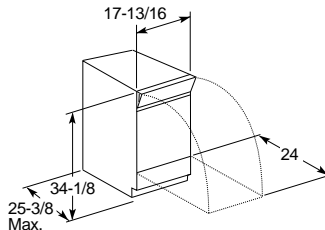


\*Width adjustable from 17-3/8" to 18".  
\*\*Meets ADA countertop height requirement of 34".

Figure 1



## Spacemaker Built-In Dimensions GSS1800H (in inches)



## Dishwasher Rough-In Information

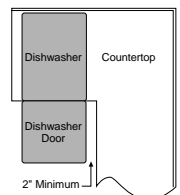
**Note:** Dishwasher must not be installed more than ten feet from sink for proper drainage. All plumbing and electrical work must be in accordance with local codes.

Most of the installation work should be done before the dishwasher is moved into place. First, select a location as close to the sink as possible for ready access to water and drain lines. For proper operation and appearance of the dishwasher, the cabinet opening should be square and have dimensions as shown in Figure 1. If the dishwasher is to be installed in a corner, there must be sufficient clearance to open the door as shown in Figure 2. A minimum clearance of 2" is recommended.

Rough-in the water, electrical, and drain lines before proceeding with installation. The lines should run straight to their connections on the dishwasher.

**Note:** Make sure that the lines do not cross in front of the dishwasher motor or its legs.

Figure 2

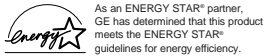


# GE Spacemaker® Under-the-Sink Dishwashers

GE	
ENERGY STAR®	
GSM2100GWW GSM2100GCC	
<b>Features</b>	
Wash levels	2
Food disposer	●
Cycles	5
Pots & Pans	●
Normal Wash	●
Short Wash	Dial
Plate Warmer	Dial
Rinse Only	Dial
Options	12
Heated Dry	●
HotStart™	Dial
Racks, shelf & basket	
Upper rack	Spacemaker
Lower rack	Deluxe
Silverware basket	Deluxe
Control type	Turn-to-start
Cycle progress indicator	Dial
Pushbuttons	4
Rinse aid dispenser	●
Steel door	●
Center throw door latch	●
<b>Quiet</b>	
PermaTuf™ tub and door liner	●
QuietPower™ motor	●
<b>Appearance</b>	
Colors available*	WW, CC
Color panels—door & access	Trimless
<b>Weights &amp; Dimensions</b>	
Height w/legs retracted (in.)	34
Overall width (in.)	24
Overall depth (in.)	25-3/4
Approx. shipping weight (lbs.)	72
<b>Accessories</b>	
Requires kit for 1/4" panel capability with trim	GPF325W/C
Requires kit for trimless 3/4" panel capability	GPF375

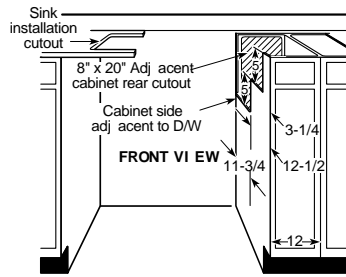
\*Colors available: WW = White on white, CC = Bisque on bisque.

Note: Under-the-Sink dishwashers can be installed under GE cooktop models JP201C and JP202D. Refer to cooktop installation instructions.



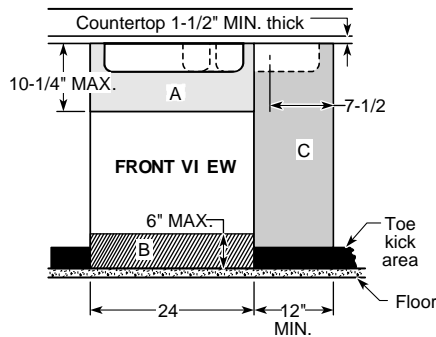
As an ENERGY STAR® partner, GE has determined that this product meets the ENERGY STAR® guidelines for energy efficiency.

## Cabinet Cutout for Sink



Cabinet cutouts for offset single and double bowl sinks. Dishwasher not provided with complete enclosure. Enclosures for sides, top, bottom, and back must be provided by installer at time of installation.

## Cabinet Rough-In



## Stainless Steel Sinks Single- and Double-Bowl Models Dimensions (in inches)

Model Number	Overall Size		Inside Each Compartment		
	L	W	L	W	D
GPF95 (Single Bowl, R)*	25	21-1/4	21	15-3/4	5-3/8
GPF96 (Single Bowl, L)*	25	21-1/4	21	15-3/4	5-3/8
GPF97 (Double Bowl)	33	21-1/4	14	15-3/4	5-3/8

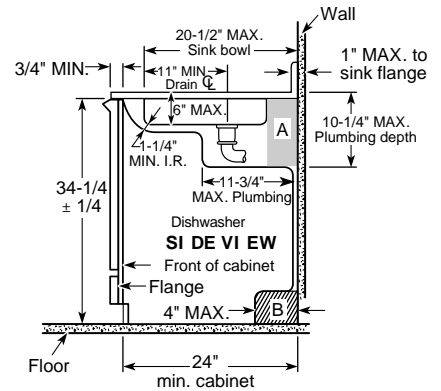
Model Number	Cutout In Countertop 1-1/2" Radius Corners		No. Of 1-1/2" Dia. Faucet Holes	Ship. Wt. Lbs.
	L	W		
GPF95 (Single Bowl, R)*	24-3/8	20-5/8	3 or 4**	10
GPF96 (Single Bowl, L)*	24-3/8	20-5/8	3 or 4**	10
GPF97 (Double Bowl)	32-3/8	20-5/8	3 or 4**	12-1/2

Note: Drain opening size is 3-1/2".

Above models are fully sound deadened.

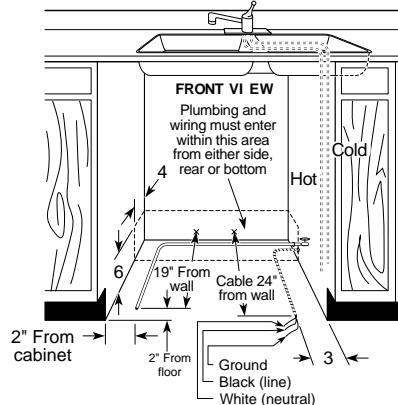
\*Suffix "L" or "R" means drain outlet is located in upper left or right corner of sink compartment.

\*\*All have four holes, but one hole has a removable plug.



Either single- or double-bowl sink may be used, centered or offset, as shown in the front illustration above. The 20-1/2" max. dimension from wall to front of sink bowl must be accurate if dishwasher is to fit properly under sink. Water lines to sink faucet and drain from sink can be run through area "A". HOT WATER line to dishwasher is installed in area "B". Garbage disposer, water lines to faucet, trap, waste air gap and water cut-off valve are installed in 12" wide cabinet shown in area "C". Sink opening for garbage disposer must be dimensioned as shown in front view, area "C" above (7-1/2"). This will provide clearance for disposer and plumbing in cabinet "C" when using double bowl sink. If the sink bowl is more than 20-1/2" max. specified distance from the wall, or if the base cabinet is less than the 24" min. depth from the wall, a gap between the tub flange and the front of the base cabinet may result.

## Plumbing/Electrical Rough-In



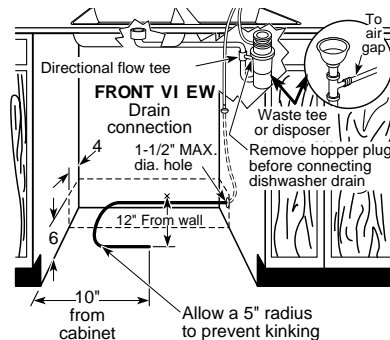
**Plumbing:** Hot Water Only: Use 3/8" O.D. copper tubing or 1/2" O.D. plastic tubing min. inlet line. Water valve has 3/8" internal threads. Hand cut-off valve is recommended.

**Electrical:** Fuse circuit with 15 amp or 20 amp standard fuse or circuit breaker. Total amp load is 6.2. Dishwasher operates on 120V, 60 Hz power. Two-wire cable (14 Ga. Min.) with ground must be installed.

**Note:** All rough-in, both plumbing and electrical, must be completed before the dishwasher is installed. All plumbing and electrical work must be in accordance with local codes.

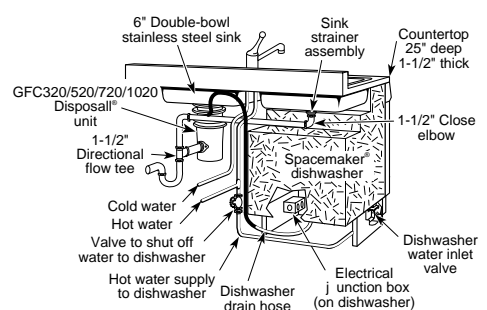
**Specifications:** Inlet Water Temperature Recommended: Minimum 120°F at dishwasher. Inlet Water Pressure Required: 15 to 120 lbs./sq. in.

## Rough-In for Installation with Disposer



A close-fitting elbow or special shallow sink strainer is necessary to provide clearance between sink drain and dishwasher. Dishwasher furnished with 1/2" I.D. drain hose, 78" long. If using copper tubing, 2" length of 1/2" I.D. rubber hose must be provided to connect copper tubing to pump outlet. Disposer should have 7/8" I.D. dishwasher drain connector.

## Rear View Plumbing Arrangement





# Dishwasher Accessories

## Side Panel for All GE® Models:

Contains one panel and adjustable toe-kick for end cabinet installation of built-in model. Does not attach to dishwasher. Specify color: GPS5WW—White, GPS5CC—Bisque

NOTE: S = Stainless steel, W = White, C = Bisque, A = Almond, B = Black

## Wood Panel Capability:

### Model: GSM1800J.

GPF18W/B—1/4" panel trim kit

### Model: GSS1800H.

GPF18—up to 3/16" panel trim kit

Models: GSD3200, GSD2200, GSD2201, GSD2000, GSD2001, GSD1900, GSC3200 and GSM2100.

GPF325W/C/B—1/4" panel trim kit (door and access)

GPF375—3/4" panel trim kit (door and access [GPF100—heavy-duty spring kit included])

Models: GSD5500, GSD4800, GSD4200 and GSC3400.

GPF425W/C/A/B—1/4" panel trim kit (door and access)

GPF475—3/4" panel trim kit (door and access [GPF100—heavy-duty spring kit included])

Model: PDW8500, PDW7700, GSD6600 and GSD6200.

GPF825W/C/B—1/4" panel trim kit (door)

GPF875W/C/B—3/4" panel trim kit (door)

## Spacemaker Dishwasher Accessories:

### Model: GSM2100.

GPF95—Stainless sink for Spacemaker dishwasher—single bowl 21-1/4" x 25". Drain hole on right; elbow and strainer included.

GPF96—Stainless sink for Spacemaker dishwasher—single bowl 21-1/4" x 25". Drain hole on left; elbow and strainer included.

GPF97—Stainless sink for Spacemaker dishwasher—double bowl 21-1/4" x 33". Elbow and strainer included.

## Optional Dishwasher Accessories:

GPF53—Brackets for under non-wood countertop installation (Triton®, Nautilus®, Spacemaker Under-the-Sink only)

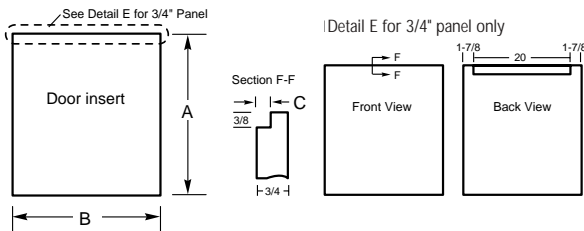
GPF65—Brackets for under non-wood countertop installation. (GE Profile™ and Triton XL [included with Profile])

GPF100—Heavy spring kit for custom door panel weighing more than 4 lbs. (Triton and Nautilus only)

\*Excludes all Profile Stainless interior models.

## Wood Insert Cutout Dimensions (in inches)

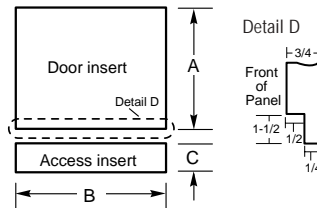
Kits: GPF18W/B, GPF825 and GPF875



Kit	A	B	C	Panel Thickness
GPF18W/B	22-3/16"	17-3/16"	N/A	1/4"
GPF825	25-1/16"	23-1/2"	N/A	1/4"
GPF875	25-7/16"	23-3/4"	1/4"	3/4"

## Wood Insert Cutout Dimensions (in inches)

Kits: GPF18, GPF325, GPF375, GPF425 and GPF475



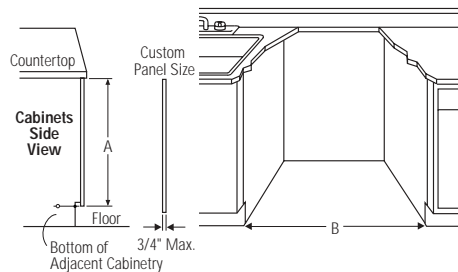
Kit	A	B	C	Panel Thickness
GPF18	17-5/16"	17-7/16"	6-1/2"	3/16"
GPF325	18-7/8"	23-9/16"	3-11/16"	1/4"
GPF375	18-15/16"	23-5/8**	3-3/4" to 4-1/4**	3/4"
GPF425	19-3/4"	23-9/16"	3-11/16"	1/4"
GPF475	19-7/8"	23-5/8**	3-11/16" to 4-1/4***	3/4"

\*Bottom of panel must be notched 1-1/2" x 1/2" to clear access panel. (See illustration above)

\*\*Adjustment required to match adjacent cabinet fronts due to leveling adjustment, 4" nominal.

## Custom Panel for Model PDW9700JII

Dishwasher comes panel-ready.



The most common panel dimensions are 30-1/4"H and 23-3/4"W.

### STEP A: Determine custom panel height

1. Measure Dimension A from underside of countertop to bottom of adjacent cabinets.
2. Subtract 1/4". This allows a 1/4" clearance gap between the underside of the countertop and the top of the dishwasher door.

Height is equal to A minus 1/4"

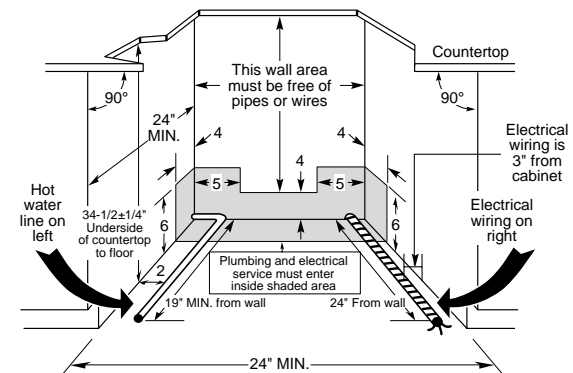
### STEP B: Determine custom panel width

1. Measure dimension B, the rough opening width.
2. Subtract 1/4" for clearance (1/8" on each side).

Width is equal to B minus 1/4"

Note: 23-1/8" min. panel width and 26-1/4" min. panel height is required to cover the door frame. Panel height varies depending on installation. Consideration must be given to door swing clearance above the toe-kick.

## GE Profile and GE Dishwashers Installation Information (in inches)



## Dishwasher Rough-In Information

Note: Dishwasher must not be installed more than ten feet from sink for proper drainage. All plumbing and electrical work must be in accordance with local codes.

Note: If a flush look is needed, a 25" base cabinet needs to be used (except Profile and Triton XL models).

The power cord and connections must comply with the National Electrical Code Section 422 and/or local codes and ordinances. The cord must be no longer than six feet from the junction box to the receptacle.

# GE Disposall® — Food Waste Disposer

Features	GE Continuous Feed								Batch Feed
	GFC1020F	GFC720F	GFC530F	GFC535F	GFC520F	GFC525F	GFC320F	GFC325F	GFB760F
Motor horsepower	1	3/4	1/2	1/2	1/2	1/2	1/3	1/3	3/4
Control method	Wall switch	Wall switch	Wall switch	Wall switch	Wall switch	Wall switch	Wall switch	Wall switch	Stopper
Feed type	Continuous	Continuous	Continuous	Continuous	Continuous	Continuous	Continuous	Continuous	Batch
Power connection	Direct wire	Direct wire	Direct wire	Line cord	Direct wire	Line cord	Direct wire	Line cord	Direct wire
Impellers									
Dual-swivel	•	•	•	•	•	•	•	•	•
Jam resistant	•	•	•	•	•	•	•	•	•
Stainless steel	•	•	•	•	•	•	•	•	•
Armature shaft material	Cold-rolled carbon steel	Cold-rolled carbon steel	Cold-rolled carbon steel	Cold-rolled carbon steel	Cold-rolled carbon steel	Cold-rolled carbon steel	Cold-rolled carbon steel	Cold-rolled carbon steel	Cold-rolled carbon steel
Grinding speed (RPM's)	2,800	2,700	2,600	2,600	2,600	2,600	1,900	1,900	2,700
Capacity	Super	Super	Extra-large	Extra-large	Large	Large	Large	Large	Super
Mounting type	EZ-Mount	EZ-Mount	EZ-Mount	EZ-Mount	EZ-Mount	EZ-Mount	EZ-Mount	EZ-Mount	EZ-Mount
Turntable material	Stainless	Stainless	Stainless	Stainless	Galv. steel	Galv. steel	Galv. steel	Galv. steel	Stainless
Two-level precut	•	•	•	•	•	•	•	•	•
Stainless steel sink flange	•	•	•	•	•	•	•	•	•
Manual reset overload protector	•	•	•	•	•	•	•	•	•
Splash guard	•	•	•	•	•	•	•	•	•
Sink stopper	•	•	•	•	•	•	•	•	•
Dishwasher drain connector	•	•	•	•	•	•	•	•	•
Drain elbow	•	•	•	•	•	•	•	•	•
Quiet									
Sound insulation package	QuietPower™ III	QuietPower II	QuietPower I	QuietPower I	Standard	Standard	Standard	Standard	QuietPower II
Weights & Dimensions									
Approx. shipping weight (lbs.)	14.9	12.45	9.6	9.9	8.8	9.1	8.4	8.7	13.75
Net weight (lbs.)	13.2	10.7	8.05	8.35	7.8	8.1	7.4	7.7	11
Dishwasher inlet diameter (in.)	3/4	3/4	3/4	3/4	3/4	3/4	3/4	3/4	3/4
Drain outlet diameter (in.)	1-1/2	1-1/2	1-1/2	1-1/2	1-1/2	1-1/2	1-1/2	1-1/2	1-1/2
Power Ratings									
Volts, Hertz, Amps	120; 60; 7.0	120; 60; 6.0	120; 60; 4.5	120; 60; 4.5	120; 60; 4.5	120; 60; 4.5	120; 60; 4.0	120; 60; 4.0	120; 60; 6.0
Warranty*									
One-year full replacement							•	•	
One-year full replacement plus One-year limited replacement					•	•			
One-year full replacement plus Two-year limited replacement			•	•					
One-year full replacement plus Four-year limited replacement		•							•
One-year full replacement plus Six-year limited replacement	•								

\*See written warranty for details.

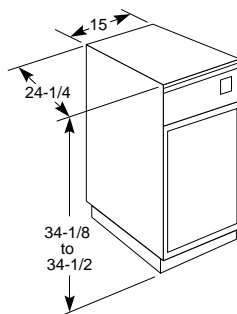
## Built-In Compactors

Features	GE Profile™
	GCG1540FSS, GCG1530FWW, GCG1550FCC, GCG1520FBB
Cycle time	27 seconds max., 14 seconds min.
Drive system	2-Point
Motor horsepower	1/3
Compression ratio (average)	75% reduction of volume
Ram force (lb.) (max.)	2,300
Front level legs and rear wheels	•
Capacity	1.4 cu. ft.
Side release bin	•
Toe/foot pedal drawer opener	•
Lock/start control w/removable key	•
Automatic anti-jam	•
Slide-out drawer	•
Appearance	
Color appearance*	SS, WW, CC, BB
Color-matched	•
Heavy-gauge steel construction	•
1/4" panel capability	•
Weights & Dimensions	
Total shipping weight (lbs.)	152
Total appliance weight (lbs.)	141
Overall height (in.)	34-1/8 to 34-1/2
Overall width (in.)	15
Overall depth (in.)	24-1/4
Cutout dimensions H x W x D (in.)	34-1/4 x 15-1/8 x 24-3/4
Clearance for drop-down drawer side	6" or more on right side
Drawer extension for removal	23" or more in front of appliance
Custom panel size H x W (in.)	23-15/16 x 14-5/8
Accessories	
Compactor bags (5 included)	WC60X5017
Warranty	
Full one-year warranty**	•

\*Colors available: SS = Stainless steel, WW = White on white, CC = Bisque on bisque, BB = Black on black.

\*\*See written warranty for details.

### Compactor Dimensions (in inches)



### Compactor Accessories:

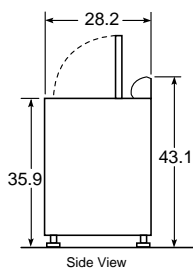
- New 1/4" panel trim kits (color-matched)
- GPF82S—Stainless steel
- GPF82W—White
- GPF82C—Bisque
- GPF82B—Black

# GE Profile™ Washers

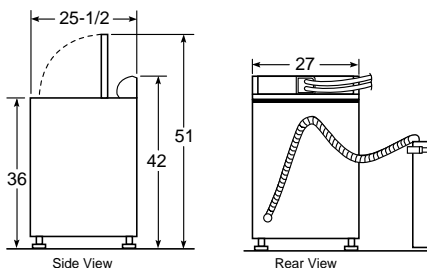
	GE Profile			
	WPGT9350C	WPRB9220D	WPRB9110D	WPRB8050D
<b>Capacity</b>				
Capacity cu. ft.	4.0* King-size	3.5 King-size	3.5 King-size	3.5 King-size
<b>Energy</b>				
ENERGY STAR®	●	●	●	●
<b>Controls</b>				
Electronic	LCD touchscreen display	With icons	●	●
Status indicators	LCD display	LED	LED	LED
Cycle countdown	LCD	LED	●	●
Adaptive capabilities	Water levels	Cycle time	Cycle time	Cycle time
Water temp system	RighTemp	PerfecTemp Plus	PerfecTemp Plus	PerfecTemp Plus
Wash/rinse temps	4	3	3	3
Water levels	Adaptive fill	5	4	4
Spot spray			●	●
<b>Wash System</b>				
Wash basket	Stainless steel	Stainless steel	Stainless steel	Stainless steel
Wash mechanism	Infusor™	GentlePower™ Agitator	GentlePower Agitator	GentlePower Agitator
Wash/spin combinations	Multiple	Multiple	10	6
<b>Drive System</b>				
Variable-speed motor	Direct drive	●	●	
Transmission		Steel	Steel	Steel
Maximum spin speed	1010 RPM	800 RPM	630 RPM	630 RPM
<b>Dispensers</b>				
Bleach	Flow-thru™ timed	●	●	●
Fabric softener	Flow-thru timed	●	●	●
Detergent	Flow-thru timed			
Wash Boost	Flow-thru timed			
<b>Signals</b>				
End-of-cycle	Variable	Variable	Variable	●
Add bleach	Variable	Variable	Variable	
<b>Wash Cycles</b>				
Number of cycles	Multiple	Multiple	Multiple	Multiple
Custom cycles	6	2	2	
<b>Cycle Selections</b>				
Whites	●	●	●	●
Colors	●	●	●	●
Dark colors	●	●	●	●
Easy care	●	●	●	●
Handwash	●	Ultra	Ultra	Pulsed
Specialty cycles	Multiple			Casuals - pulsed
<b>Program Options</b>				
Stain wash	Stain Inspector™	●	●	
Extra heavy soil	Super Clean			
Heavy soil	●	●	●	●
Medium soil	●	●	●	●
Light soil	●	●	●	●
Extra light soil	●			●
<b>Special Cycles</b>				
Delay start	●	●		
Speed wash	Quick Clean	●	●	
Prewash	●		●	●
2nd rinse	●	●	●	●
Extended spin	●	●	●	●
Rinse and spin	●	●	●	●
Spin only	●	●	●	●
<b>Additional Features</b>				
Quiet performance	Supreme	Luxury	Luxury	Luxury
Color lid instructions	●	●	●	●
<b>Appearance</b>				
Colors available**	PL, WW	WW, CC	WW, CC	WW, CC
<b>Weights &amp; Dimensions</b>				
Approx. shipping weight (lbs)	155	175	175	175

\* Washes equivalent amount of clothes as 4.0 cu. ft. agitator machine per IEC ratios.  
 \*\*PL = Dark Platinum, WW = White on white, CC = Bisque on bisque.

Washer Dimensions (in inches)  
 GE Profile Harmony™ Washer



Washer Dimensions (in inches)  
 GE Profile Harmony™ Washer



### Washer Specifications

**Circuit Requirements:**  
 An individual, properly grounded branch circuit, with a three-prong grounding-type receptacle, protected by a 15- or 20-amp circuit breaker or time-delay fuse is required.

**Electrical Rating:**  
 115V, 60Hz, 10A

**Washer Note:**  
 Washer wall outlet must be located within 36" of service cord entry. Wall outlet must not be located behind dryer.

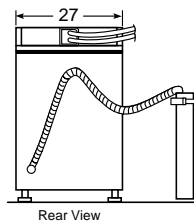
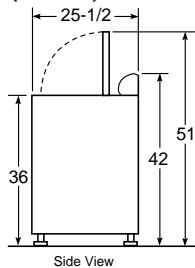


# GE® Washers

	GE		
	WCRE6270D	WCSR4170D	WCSR2090D
<b>Capacity</b>			
Capacity cu. ft.	3.5 King-size	3.2 Super Plus	3.2 Super
<b>Controls</b>			
Rotary electronic	●	Rotary	Rotary
Status indicators	Status lights		
Water temp system	PerfecTemp		
Wash/rinse temps	3	3	3
Water levels	4	4	3
Spot spray	●		
<b>Wash System</b>			
Wash basket	Stainless steel	ExtrAction™	PermaTuf® II
Wash mechanism	GentlePower™ Agitator	GentlePower Agitator	FlexCare™ Agitator
Wash/spin combinations	6	4	2 - pulsed
<b>Drive System</b>			
Transmission	Steel	Steel	Steel
Maximum spin speed	630 RPM	630 RPM	630 RPM
<b>Dispensers</b>			
Bleach	●	●	●
Fabric softener	●	●	
<b>Wash Cycles</b>			
Number of cycles	27	17	9
<b>Cottons regular</b>	●	●	Whites
Auto soak (30 min.)	●	●	
Auto soak (15 min.)	●	●	
Extra heavy soil	●		
Heavy soil	●	●	●
Medium soil	●	●	●
Light soil	●	●	●
Extra light	●		●
<b>Easy care</b>	●	●	
Auto soak (15 min.)		●	
Heavy soil	●	●	
Medium soil	●	●	
Light soil	●	●	
Extra light soil		●	
<b>Casuals - pulsed</b>	●		●
Heavy soil	●		●
Medium soil	●		●
Light soil			●
<b>Delicate</b>	●	●	
Medium soil	●		
Light soil		●	
Extra light soil		●	
<b>Handwash - pulsed</b>	●		
Medium soil	●		
<b>Special Cycles</b>			
Prewash		●	
2nd rinse	●	●	
Extended spin	●		
Rinse & spin (Quick rinse)	●	●	●
Spin only	●	●	●
<b>Additional Features</b>			
Quiet performance	Deluxe	Quiet-by-Design™	Quiet-by-Design
Color lid instructions	●	●	
<b>Appearance</b>			
Colors available*	WW, CC	WW, CC	WW, CC
<b>Weights &amp; Dimensions</b>			
Approx. shipping weight (lbs.)	175	160	160

\*WW = White on white, CC = Bisque on bisque.

## Washer Dimensions (in inches)



## Washer Specifications

### Circuit Requirements:

An individual, properly grounded branch circuit, with a three-prong grounding-type receptacle, protected by a 15- or 20-amp circuit breaker or time-delay fuse is required.

**Electrical Rating:**  
115V, 60Hz, 10A

### Washer Note:

Washer wall outlet must be located within 36" of service cord entry. Wall outlet must not be located behind dryer.

# GE Profile™ and GE® Dryers

Electric Gas	GE Profile				GE			
	DPGT750EC DPGT750GC	DPSB620EC DPSB620GC	DPSB619ED DPSB619GD	DPSB613ED DPSB613GD	DRSR483ED DRSR483GD	DWXR483EB DWXR483GB	DBXR463ED DBXR463GD	DJXR433EC DJXR433GC
<b>Capacity</b>								
Capacity cu. ft.	7.3 King-size	7.0 King-size	7.0 Super	7.0 Super	7.0 Super	6.0 Extra-large	6.0 Extra-large	6.0 Extra-large
<b>Controls</b>								
Electronic	●	●	●	●	Rotary	Rotary	Rotary	Rotary
Status indicators	LCD	LED	LED	LED				
Cycle countdown	LCD	LED	LED	LED				
Adaptive logic	●	●	●	●				
Heat selections	5	5	5	5	4	4	4	4
<b>Dry System</b>								
Clothing moisture sensor	DuoDry™	Sensor Dry Plus	Sensor Dry Plus	Sensor Dry Plus				
Temperature sensor	Thermistors	Thermistors	Thermostat	Thermostat	Thermostat	Thermostat	Thermostat	Thermostat
Dryer drum	Stainless steel	Stainless steel	Stainless steel	Stainless steel	Stainless steel	DuraDrum™	DuraDrum	DuraDrum
Drum baffles	Dark Platinum	White	White	White	White	White	White	White
Dual motors	●							
<b>Signals</b>								
End-of-cycle	Variable	Variable	Variable	Variable	Variable	Variable	Fixed	
Damp dry		Variable	Variable					
<b>Dry Cycles</b>								
Number of cycles	Multiple	Multiple	Multiple	Multiple	8	8	6	3
Custom cycles	6	2	2					
<b>Cycle Selections</b>								
Cottons	●	●	●	●	●	●	●	●
Mixed loads	●	●	●	●				
Easy care	●	●	●	●	●	●	●	●
Knits sweaters	●	●	●	●				
Delicates	●	●	●	●				
Specialty cycles	Multiple							
<b>Program Options</b>								
More dry	●	●	●	●				
Dry	●	●	●	●				
Less dry	●	●	●	●				
Damp dry	●	●	●	●	●	●	●	
<b>Timed Dry</b>								
Time control	Electronic	Electronic	Electronic	Electronic	80 min.	80 min.	80 min.	60 min.
<b>Special Cycles</b>								
Speed dry		●	●					
Antibacterial cycle		●	●					
Dryel® cycle	●	●	●					
Delay start	●	●	●					
Add time option	●	●	●	●				
Dewrinkle	●	●	●	●				
Quick Fluff (no heat)	●	●	●		●	●	●	
Warm up	●		●					
<b>Additional Features</b>								
Quiet performance	Supreme	Luxury	Luxury	Luxury	Quiet-by-Design	Quiet-by-Design	Quiet-by-Design	Quiet-by-Design
Quiet drum	●	●	●	●				
Deluxe dryer rack	●	●	●	●				
Dryer interior light	●	●	●	●	●	●	●	
Extended venting capability	Up to 150 ft.							
Clean lint filter reminder	●	●	●	●				
<b>Appearance</b>								
Colors available*	PL, WW	WW, CC	WW, CC	WW, CC	WW, CC	WW, CC**	WW, CC	WW, CC
<b>Weights &amp; Dimensions</b>								
Approx. shipping weight–elec. (lbs.)	155	122	125	125	119	112	112	112
Approx. shipping weight–gas (lbs.)	155	127	129	129	125	115	115	115

\*PL = Dark Platinum, WW = White on white, CC = Bisque on bisque.  
 \*\*DWXR483GB available in White on white only.



Listed by Underwriters Laboratories

Refrigeration

Cooking Products

Microwave Ovens

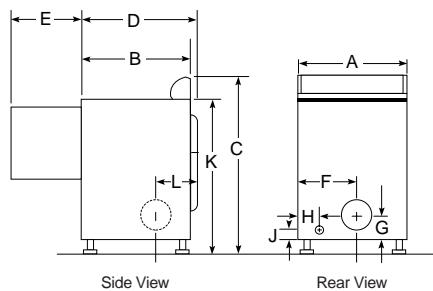
Dishwashers

Clothes Care

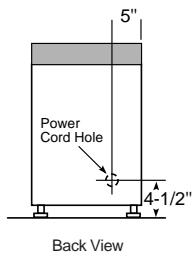
Water Systems

Air Conditioning

## Dryer Dimensions (in inches)



## Power Cord Locations 6.0 and 7.0 cu. ft. Dryers



	7.3 cu. ft. capacity	7.0 cu. ft. capacity	6.0 cu. ft. capacity
A	27	27	27
B	26-1/2	25-1/2*	25-1/2*
C	43-1/4	42	42
D	29	28-1/4	25-3/4
E	22-1/2	23-1/2	23-1/2
F	13	11-1/2	11-1/2
G	3-1/2	3-1/2	3-1/2
H	3	2	2
J	2-1/2	2-1/2	2-1/2
K	37-1/4	36	36
L	3-1/2	8-1/2	5-1/4

\*24-1/2" from the edge of the side panel to the front. 25-1/2" from front to edge of end caps.

## Dryer Specifications

### Exhaust Options:

**Electric:** 4-way via rear, right, left and bottom.  
**Gas:** For 6.0, 7.0 and 7.3 cu. ft. dryers, when viewed from the front of the unit, exhaust 3-way via rear, left and bottom. For 5.7 cu. ft. dryers, when viewed from the front of the unit, exhaust 3-way via rear, right and bottom. Dryer is shipped exhausted to the rear. Alternate exhausting knockouts are supplied.

### Circuit Requirements:

**Electric:** An individual, properly grounded branch circuit, protected by a 30-amp circuit breaker or a time-delay fuse is required.

### Electric Dryer Rating:

240V, 6000W, 28.5A, 60Hz—7.3 cu. ft. dryer  
 240V, 5600W, 24A, 60Hz—5.7, 6.0, 7.0 cu. ft. dryers  
 208V, 4400W, 22A, 60Hz—5.7, 6.0, 7.0 cu. ft. dryers

**Gas:** An individual, properly grounded branch circuit, with a three-prong grounding-type receptacle, protected by a 15- or 20-amp circuit breaker or a time-delay fuse is required.

### Gas Dryer Electric Rating:

120V, 60Hz, 6A

**Gas (BTU/HR):** 22,000 (25,000 for 7.3 cu. ft. dryer; 20,000 for 5.7 cu. ft. dryer). Factory-equipped for natural gas. Tested for LP gas. LP gas supply requires an optional conversion kit, 5.7 cu. ft. model kit is WE25X10003, 6.0 and 7.0 cu. ft. model kit is WE25X0217 and 7.3 cu. ft. model kit is WE25X10014. Have a qualified gas technician install a conversion kit. See dryer ducting information for proper installation.

**Dryer Note:** Service wall outlet must be located within 36" of service cord entry and accessible when dryer is mounted in position.

**Note:** GE Profile Harmony™ 7.3 cu. ft. dryer elbow kit, Pub. No. 14-A003, is available at additional cost.

**Note:** An extra length (10-ft.) communication cable, Pub. No. 14-A013, is available at additional cost.

## Special Installation Requirements

### Alcove or Closet Installation

- If your dryer is approved for installation in an alcove or closet, it will be stated on a label on the dryer back.
- The dryer **MUST** be exhausted to the outdoors. See installation instructions.
- Minimum clearances between dryer cabinet and adjacent walls or other surfaces are:  
 0" either side  
 3" front and rear
- Minimum vertical space from floor to overhead cabinets, ceilings, etc. is 52".
- Closet doors must be louvered or otherwise ventilated and must contain a minimum of 60 sq. in. of open area equally distributed. If this closet contains both a washer and a dryer, doors must contain a minimum of 120 sq. in. of open area equally distributed.
- No other fuel-burning appliance shall be installed in the same closet with a gas dryer.

### Bathroom or Bedroom Installation

- The dryer **MUST** be exhausted to the outdoors. See installation instructions.
- The installation must conform with the local codes, or in the absence of local codes, with the National Fuel Gas Code, ANSI Z223.

### Minimum Clearances other than Alcove or Closet Installations

- Minimum clearances to combustible surfaces:  
 0" both sides  
 3" rear

For more information on venting kits and accessories, please call 1-800-GE-CARES.

## Dryer Exhausting Information

For complete information see installation instructions packed with dryer.

**Important Note:** GE Kit Number 14-A018 needed when converting rear exhaust to bottom or side (on 5.7 extra-large capacity models only). GE Profile Harmony 7.3 cu. ft. dryer elbow kit, Pub. No. 14-A003, is available at additional cost. **Note:** An extra length (10-ft.) communication cable, Pub. No. 14-A013, is available at additional cost.

### Ducting Materials

For best performance, this dryer should be vented with 4" diameter all-rigid metal exhaust duct. If "all-rigid metal" duct cannot be used, then "flexible all-metal" venting can be used, but it will reduce the maximum recommended duct length.

The following kit or parts are available from your local service organization.

Kit WX8X75—7' aluminum duct and 4' hood, short tail.

(OR individual parts):

WX8X65 7' aluminum flex duct only

WX8X58 4' clamps (2)

WX8X67 4' exhaust hood

See installation instructions for complete information.

### Exhaust Length calculation:

1. Determine the number of 90° turns needed for your installation. If you exhaust to the side or bottom of dryer, add one turn.
2. The maximum length of 4" rigid (aluminum or galvanized) duct which can be tolerated is shown in the table.

The maximum lengths for flexible ducts are less than for rigid duct.

See table in installation instructions. A turn of 45° or less may be ignored.

Two 45° turns within the duct length should be treated as a 90° elbow.

A turn over 45° should be treated as a 90° elbow.

**Exhausting the dryer to the outside is strongly recommended** to prevent large amounts of moisture and lint from being blown into the room. Gas dryers or any dryer located in a closet **must** be exhausted to the outside.

**Caution:** For personal safety do not terminate exhaust into a chimney, under any enclosed house floor (crawl space), or into an attic, since the accumulated lint could create a fire hazard or moisture could cause damage. Never terminate the exhaust into a common duct or plenum with a kitchen exhaust, since the combination of lint and grease could create a fire hazard.

Exhaust ducts should be terminated in a dampered wall cap to prevent back drafts, bird nesting, etc. The wall cap must also be located at least 12" above the ground or any other obstruction with the opening pointed down. Other terminations, such as louvered wall boxes, are acceptable provided they are equivalent to a 4" opening dampered wall cap.

## Dryer Exhausting Information—Use Metal Duct Only

### Vertical and Horizontal Ducting

	Number of 90° Turns	Best Performance			
		Maximum Length of 4" Dia. Rigid Metal Duct		Maximum Length of 4" Dia. Flexible Metal Duct	
		Exhaust Hood Type		Exhaust Hood Type	
Domestic Dryer Models	A 4" Opening	B 2-1/2" Opening	A 4" Opening	B 2-1/2" Opening	
7.3 Capacity Electric and Gas Dryers	0	150 ft.	127 ft.	75 ft.	52 ft.
	1	140 ft.	117 ft.	65 ft.	42 ft.
	2	130 ft.	107 ft.	55 ft.	32 ft.
	3	120 ft.	97 ft.	45 ft.	22 ft.
7.0 and 6.0 Capacity Models all Electric Dryers	0	90 ft.	60 ft.	55 ft.	45 ft.
	1	60 ft.	45 ft.	40 ft.	30 ft.
	2	45 ft.	35 ft.	30 ft.	20 ft.
	3	35 ft.	25 ft.	20 ft.	15 ft.
7.0 and 6.0 Capacity Models all Gas Dryers	0	90 ft.	60 ft.	55 ft.	45 ft.
	1	60 ft.	45 ft.	40 ft.	30 ft.
	2	45 ft.	35 ft.	30 ft.	20 ft.
	3	35 ft.	25 ft.	20 ft.	15 ft.
5.7 Capacity Electric and Gas Dryers	0	60 ft.	48 ft.	30 ft.	18 ft.
	1	52 ft.	40 ft.	22 ft.	14 ft.
	2	44 ft.	32 ft.	14 ft.	10 ft.
	3	32 ft.	24 ft.	—	—
Spacemaker® Models	0	46 ft.	37 ft.	30 ft.	24 ft.
	1	38 ft.	30 ft.	25 ft.	20 ft.
	2	31 ft.	22 ft.	20 ft.	14 ft.
	3	24 ft.	15 ft.	16 ft.	10 ft.
Spacemaker Model	0	56 ft.	42 ft.	30 ft.	22 ft.
	1	46 ft.	36 ft.	22 ft.	14 ft.
	2	34 ft.	28 ft.	16 ft.	10 ft.
Spacemaker Models	0	43 ft.	36 ft.	30 ft.	24 ft.
	1	33 ft.	26 ft.	24 ft.	18 ft.
	2	23 ft.	16 ft.	16 ft.	10 ft.

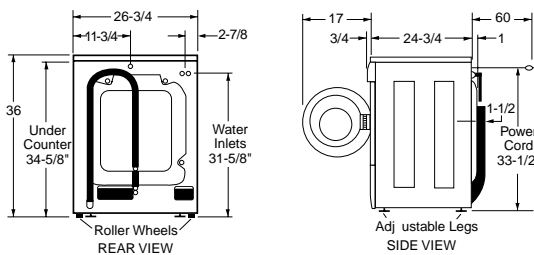


# Front-Loading Washer

	GE Profile™ WPXH214A	GE® WSXH208A
<b>Capacity</b>		
Capacity	Extra-large	Extra-large
Cubic feet	3.1 IEC	3.1 IEC
<b>Features</b>		
ENERGY STAR®	●	●
Total water usage	Approx. 25 gallons maximum	
Wash/rinse temperatures	7	4
Water levels	Auto. adjustment	Auto. adjustment
Standard rinse cycles	4	3
Motor speeds	Variable	Variable
ColorLogic™	●	●
Combinations*	HC, WW, WC, CC	HC, WW, WC, CC
Detergent dispenser (liquid/powder)	●	●
Bleach dispenser	●	●
Fabric softener dispenser	●	●
End-of-cycle signal	Fixed	Adjustable
Final spin/speed selections	4	Automatic
Number of wash cycles	14	8
Cotton		
Heavy Soil	●	●
Medium Soil	●	●
Light Soil	●	●
Easy Care		
Medium Soil/Perm. Press	●	●
Light Soil/Wrinkle Free	●	●
Delicates/Ultra Care	●	●
Pre-Wash	●	●
Quick Wash	●	●
Extra-Rinse Cycle/Auto Option	3	2
Max. spin speed	950	850
AutoTemp	●	●
Noise package	Deluxe	Standard
Leveling legs	●	●
Stainless steel wash basket	●	●
<b>Appearance</b>		
Colors available	White on white, Bisque on bisque	White on white
<b>Weights &amp; Dimensions</b>		
Approx. shipping weight (lbs.)	217	217
Flexible installation	Undercounter, stacked, side-by-side	

\*HC = Hot-Cold, WW = Warm-Warm, WC = Warm-Cold, CC = Cold-Cold.

## Washer Dimensions (in inches)



## Washer Specifications

**Circuit Requirements:** An individual, properly grounded branch circuit, with a three-prong grounding-type receptacle, protected by a 15- or 20-amp circuit breaker or time-delay fuse is required.

**Electrical Requirements:** 120V, 60 Hertz, 12.0 Amps  
See Pub. No. 31-2819 for installation information.

## Special Installation Requirements

### Undercounter Installation

- Accessory mounting kits are required for undercounter installation. To order, call 1-800-848-7722.  
Washer—Order Pub. No. 14-A037  
Dryer—Order Pub. No. 14-A008

### Stacked Installation

- Brackets for stacking dryer over washer are included with the dryer.

### Alcove or Closet Installation

- If your dryer is approved for installation in an alcove or closet, it will be stated on a label on the dryer back.
- The dryer MUST be exhausted to the outdoors.
- See EXHAUST INFORMATION on previous page.

- Minimum clearances between dryer cabinet and adjacent walls or other surfaces are:  
0" either side  
3" front and rear

- Minimum vertical space from floor to overhead cabinets, ceilings, etc. is 52".
- Closet doors must be louvered or otherwise ventilated and must contain a minimum of 60 sq. in. of open area equally distributed. If this closet contains both a washer and a dryer, doors must contain a minimum of 120 sq. in. of open area equally distributed.
- No other fuel-burning appliance shall be installed in the same closet with a gas dryer.

### Bathroom or Bedroom Installation

- The dryer MUST be exhausted to the outdoors. See EXHAUST INFORMATION on previous page.
- The installation must conform with the local codes, or in the absence of local codes, with the National Fuel Gas Code, ANSI Z223.

### Minimum Clearances other than Alcove or Closet Installations

- Minimum clearances to combustible surfaces:  
0" both sides  
3" rear

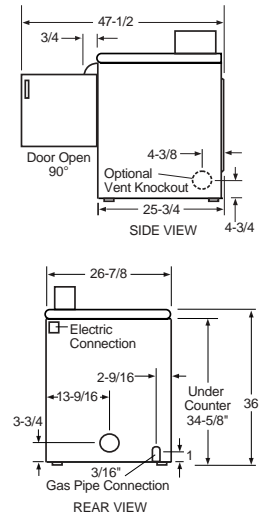
For more information on venting kits and accessories, please call 1-800-GE-CARES.

See page 158 for warranty information.

# Front-Loading Matching Dryer

	GE Profile DPXH46EA/GA	GE DSXH43EA/GA
<b>Capacity</b>		
Capacity	Extra-large	Extra-large
Cubic feet	5.7	5.7
<b>Features</b>		
Tumble drying	●	●
Time dry cycles	1	1
Auto dry cycles	5	2
Sensor Dry	●	●
ColorLogic	●	●
Temperature options	4	4
Regular/Cottons	●	●
Medium/Perm. Press	●	●
Low/Delicates	●	●
Air Fluff/No Heat (Cool Down)	●	●
Wrinkle Care cycle	2	●
Moisture sensor	●	●
Drying rack	●	●
Auto Dry Cycles		
Cottons	●	●
Easy Care	●	●
Knits/Delicate	●	●
Cool Down	●	●
Quick clean lint screen	●	●
End-of-cycle signal	Fixed	Adjustable
Dryer interior light	●	●
Reverse-A-Door	●	●
Dura finish top and drum	●	●
Spill-Saver top	●	●
Poly tumbling vanes	●	●
Leveling legs	●	●
100% front serviceable	●	●
Exhaust options (Elec/Gas)	4/3	4/3
Heavy-duty suspension system	●	●
<b>Appearance</b>		
Colors available	White on white, Bisque on bisque	White on white
<b>Weights &amp; Dimensions</b>		
Approx. shipping wt. (Elec/Gas) (lbs.)	116	116
Flexible installation	Undercounter, stacked, side-by-side	
LP conversion kit	WE25X10003	WE25X10003

## Dryer Dimensions (in inches)



## Dryer Exhausting Information—

### Use Metal Duct Only

	Number of 90° Turns	Best Performance	
		Exhaust Hood Type	
Front Loading Dryers		Maximum Length of 4" Dia. Rigid Metal Duct	
		A 4" Opening	B 2-1/2" Opening
	0	60 ft.	48 ft.
	1	52 ft.	40 ft.
	2	44 ft.	32 ft.
	3	32 ft.	24 ft.
	4	28 ft.	16 ft.

	Number of 90° Turns	Maximum Length of 4" Dia. Flexible Metal Duct	
		Exhaust Hood Type	
Front Loading Dryers		Maximum Length of 4" Dia. Flexible Metal Duct	
		A 4" Opening	B 2-1/2" Opening
	0	30 ft.	18 ft.
	1	22 ft.	14 ft.
	2	14 ft.	10 ft.

## Dryer Specifications

### Exhaust Options:

- Electric: 4-way via rear, right, left and bottom.
- Gas: For 5.7 cu. ft. dryers, when viewed from the front of the unit, exhaust 3-way via rear, right and bottom. Dryer is shipped exhausted to the rear.
- Exhaust Conversion Kit: Order Pub. No. 14-A018.

### Electrical Requirements:

- 240V, 3 Wire, 5600W, 24A, 60 Hz
- 208V, 3 Wire, 4400W, 22A, 60 Hz

### Gas Requirements: 120V, 60 Hz, 6 A

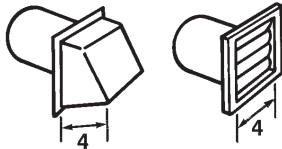
See Pub. No. 49-9963-2 for installation information.

# General Information for Dryer Exhausting

Minimizing the length of ductwork and the number of turns in an exhaust system minimizes the potential for lint to settle and accumulate in the exhaust duct and in the interior cabinet of the dryer. Refer to your specific dryer installation instructions for recommended duct length.

## 1. Wall Caps and Other Terminations

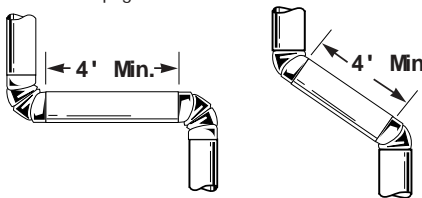
All exhaust systems must be terminated in a manner that will prevent backdrafts from outside as well as prevent birds or other wildlife from building nests or taking refuge in the ductwork. The wall cap should present minimal resistance to the flow of exhaust air and should require little maintenance to prevent clogging. **The preferred termination is either a dampered wall cap with a 4"-wide opening or a movable louvered wall cap.** A 2-1/2" wall cap restricts airflow and increases drying time. Wall caps must be installed with the opening down, and installed at a minimum of 12" above ground level or any other obstruction. Special consideration should be given in areas where heavy snow drifts are likely to occur to ensure the wall cap does not become obstructed. Other types of terminations, such as roof vents or louvered plenum chambers, are acceptable providing they are equivalent to the 4" dampered wall cap. They must contain at least 14 square inches of ventilation area and afford adequate protection against backdrafts.



Exhaust ducts must not contain screens or other filtering devices which may become clogged with lint. The dryer exhaust must not terminate in an ordinary chimney, under an enclosed house floor or crawl space, or into an attic, since any accumulated lint could create a fire hazard and the moisture could cause damage. **Never terminate the exhaust into a common duct or plenum with a kitchen hood exhaust since the combination of grease and lint could create a fire hazard.**

## 2. Separation of Turns in the Ductwork

All turns in the exhaust system, external to the dryer itself, including the distance from the last turn to the dampered wall cap, should be separated by at least 4' of straight metal duct. This will reduce the added resistance which results from rapid changes in airflow direction inside the ducting. If two turns must be closer than 4', deduct 10' from the maximum lengths shown in the chart on page 234.



## 3. Treatment of Turns Other Than 90°

One turn of 45° or less may be ignored. Two such turns should be treated as one 90°. Each turn over 45° should be treated as one 90°. Refer to specific dryer installation for maximum duct lengths and for allowable number of 90° bends. In determining the number of turns for an exhaust system, one 90° turn must be added for the bend made inside the cabinet whenever the dryer is exhausted through the right, left or bottom. NOTE: Some dryers are limited to only rear exhausting. Consult the installation instruction for the type of dryer being used.

## 4. Use of Flexible Metal Ducting

We recommend the use of 4" diameter rigid metal ducting for permanent and transition venting. **Permanent venting is from the wall, floor or ceiling to the outside. Transition venting is from the dryer to the wall, floor or ceiling.** If all-rigid metal ducting cannot be used then flexible all-metal ducting may be used, if the following precautions are adhered to:

- Use only 4" diameter all-metal ducting.
- It must not be allowed to collapse, kink or sag when the dryer is in its final installed position. Required turns in the exhaust system should be made with rigid elbows.
- Use the shortest duct length possible. Don't exceed the maximum allowable duct length specified in the installation instructions.
- Stretch the duct to its maximum length.
- To reduce the risk of fire, **NEVER USE PLASTIC OR OTHER COMBUSTIBLE DUCTWORK.**

NOTE: In special installations where it is impossible to use all-rigid metal or flexible all-metal duct for transition venting, UL Listed clothes dryer transition duct may be used. The following additional precautions should be followed if this type of ducting is used.

- Never use transition duct beyond the wall, ceiling or floor inside the dryer.
- Avoid resting the duct on sharp objects.

Please refer to the installation instructions for additional exhaust information.

## 5. Sealing of Joints

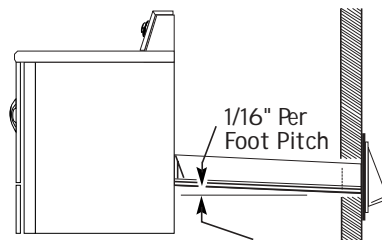
All duct joints should avoid leaks. Duct joints should be made air and moisture tight by wrapping the overlapped joints with duct tape. The male ends of each section of duct should point away from the dryer.

**Do not assemble the ductwork with screws or other fasteners that extend into the duct. They will serve as a collection point for lint.**

## 6. Water Condensation

Condensation in a dryer exhaust system is caused by the moisture in the exhausted air contacting the cold inner surfaces of the ductwork. Condensation, which forms at the beginning of the drying cycle, will dissipate quickly after the ductwork becomes heated. If the ductwork passes through an area which keeps it cool throughout the drying cycle, considerable condensation within the duct can be expected. This can result in rapid accumulation of lint in the ductwork.

Ductwork which runs through an unheated area or is situated adjacent to an air conditioning duct should be insulated to avoid such condensation problems. Joints should be tight to avoid leaks and, where feasible, the duct should be dropped 1/16" per foot toward the termination.



## 7. Accessibility for Cleaning

Since it may be necessary from time to time to remove lint from the inside of the ductwork, it is important that the exhaust system be installed with a provision for periodic inspection and cleaning. Some provision should be made for access to turns and straight runs of duct installed in an enclosed area, such as above plastered ceilings. Special consideration should be given to the amount of maintenance required for roof caps on vertical installations, since the user cannot be expected to make frequent inspections or cleanings.

### Single Family-Type Dwellings

For more detailed information, refer to the installation instructions for the specific dryer model selected.

### Mobile or Manufactured Home Installation

Gas Dryer installation must conform with local Gas Codes and with CGA B149.1 or B149.2 (Installation code for Gas Burning Appliances and Equipment). All Dryer Installations must conform to Manufactured Home Construction and Safety Standard, Title 24 CFR, Part 32-80. The dryer **MUST** be exhausted to the outdoors with the termination securely fastened to the mobile home structure. The exhaust **MUST NOT** be directed underneath the mobile home.

# Multi-Unit Dryer Installation

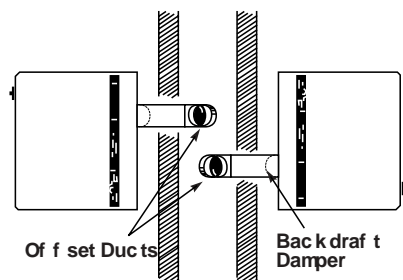
## Multi-Unit Systems

Accurate installation of a good dryer exhaust system in multi-family construction is especially important. The restrictions applied by this type of construction should cause the planner to be more concerned than in single-family construction.

When the length of the exhaust duct or the number of turns in the system exceed the maximum limitations recommended by the dryer manufacturer, the planner must seek an alternate solution. One option is to install a common ducting system that is capable of handling the discharge of several dryers at various points along the system.

The scope of the subject is far too broad to be extensively described within this publication. Sufficient information is presented, however, to make the planner aware of the importance of special attention to the subject. Two types of common ducts are generally used: (1) the common dryer exhaust stack with an auxiliary roof fan and (2) the chimney exhaust.

**Stack and chimney designs and exhaust fans must meet all local code requirements.** It is suggested that professional engineering counsel should be sought in these matters. Dryers should be installed as close to the common duct as possible. Dryers discharges must be offset to prevent one unit from exhausting directly into another. See Illustration No. 1.



Plan View  
Illustration 1

**Common Fan Assisted Dryer Exhaust Stack (Auxiliary Roof Fan Systems)**

The stack outlet (See **Illustration No. 2**) must be fitted to a continuous duty exhaust fan rated to handle the stack air volume for the total number of dryers on the system. Periodic cleaning of the exhaust fan is necessary to maintain efficient operation.

The bottom of the stack should contain a barometric damper to prevent drawing air through the dryers not in use, and a lint clean-out access door. The damper should be adjusted to just open with all dryers on and the continuous duty exhaust fan operating.

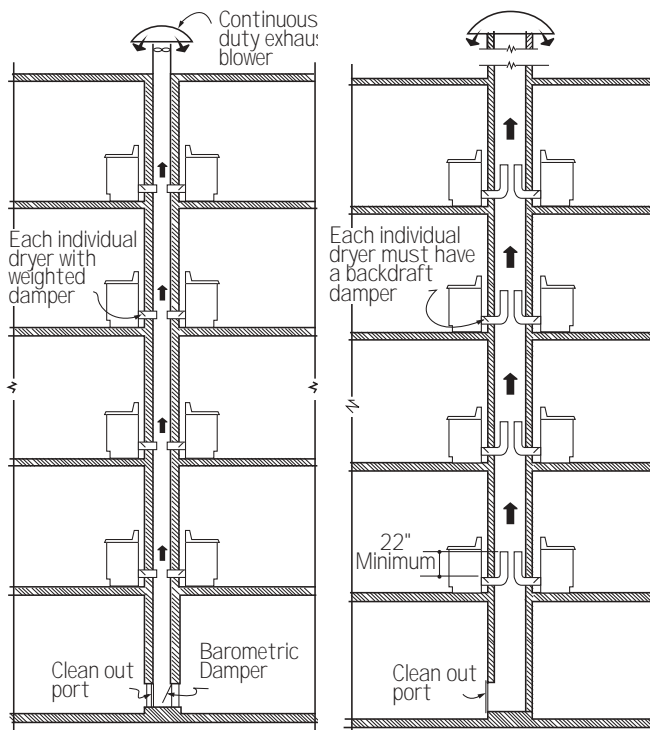
The weighted damper in the individual dryer ducts should be adjusted so that it will just close with all dryers off and the continuous duty exhaust fan operating. The fan should be running at all times. The duct system from each individual dryer must meet the turn and length requirements as noted on page 232.

The required stack diameter for air volumes of 200 CFM to 3,000 CFM can be determined from **Illustration No. 4** and calculations on the chart to the bottom right.

**Chimney Exhaust System**

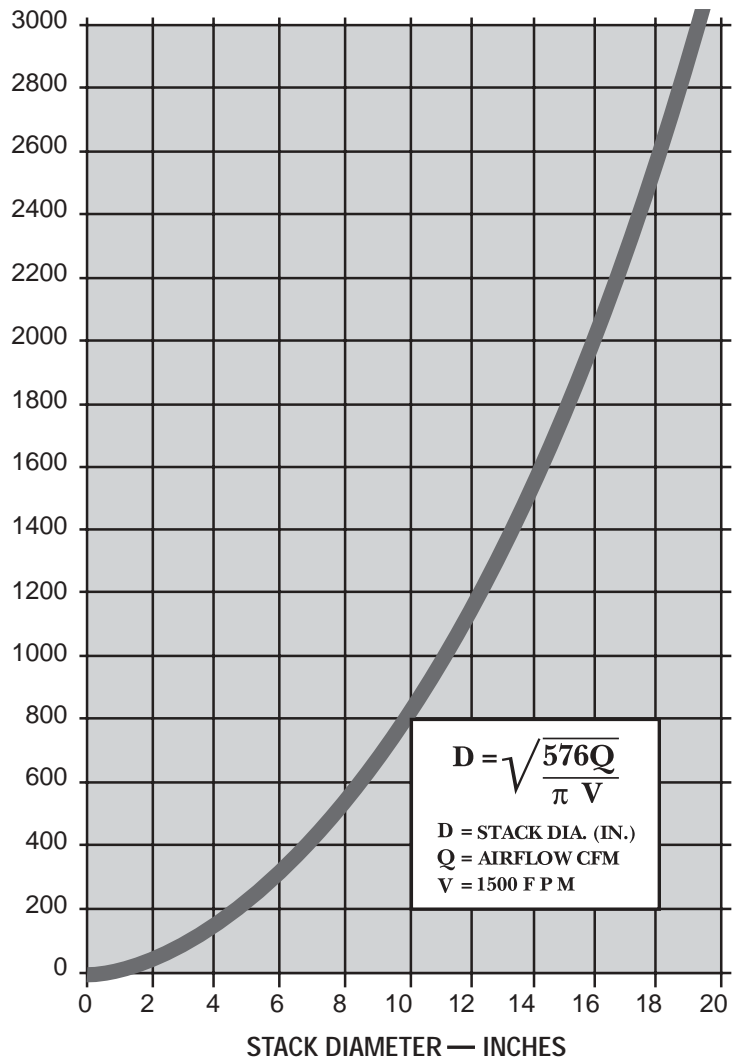
The chimney must be fire resistant and large enough to accommodate the volume of air exhausting from the dryers. Consideration must be made for lint buildup, excessive chimney pressures, backdrafts and other technical factors which will influence the performance and the safety of the system. A lint clean-out access door should be included at the bottom of the chimney. Each dryer duct must have a 4" diameter backdraft damper, adjusted so that it will just close with the dryer inoperative. This will prevent the exhaust and lint of one dryer from going into another dryer and its room. The duct system for each individual dryer must meet the turn and length requirements as noted on page 234.

Use the specs for a 2-1/2" exhaust hood for proper dryer performance. Include the 90° elbow and all ducting in the chimney in your calculations. The 22" (minimum) of vertical ducting in the chimney reduces back pressure and is required for proper dryer performance. See **Illustration No. 3**.



**Illustration 2**

**Illustration 3**



**STACK DIAMETER — INCHES**

**Illustration 4**

**How To Use Illustration No. 4**

Airflow value: 150 CFM.  
Assume installation contains eight (8) dryers operating at the same time. Stack air volume (Q) = 150 x 8 = 1200 CFM (Q) is air volume that stack must be capable of handling in the event all dryers are running at one time. Therefore, the stack diameter must be:

$$D = \sqrt{\frac{576Q}{\pi V}} = \sqrt{\frac{576 \times 1200}{\pi \times 1500}} = \sqrt{147} \approx 12 \text{ inches}$$

or read directly from Illustration No. 4 by placing 1200 on the vertical scale and reading 12 on the horizontal scale. The stack diameter should be 12 inches to handle the required volume of air and the continuous duty exhaust blower should be rated to handle this volume while maintaining an air velocity of 1500 Ft./Minute.



# Spacemaker® Portable/Stationary Models

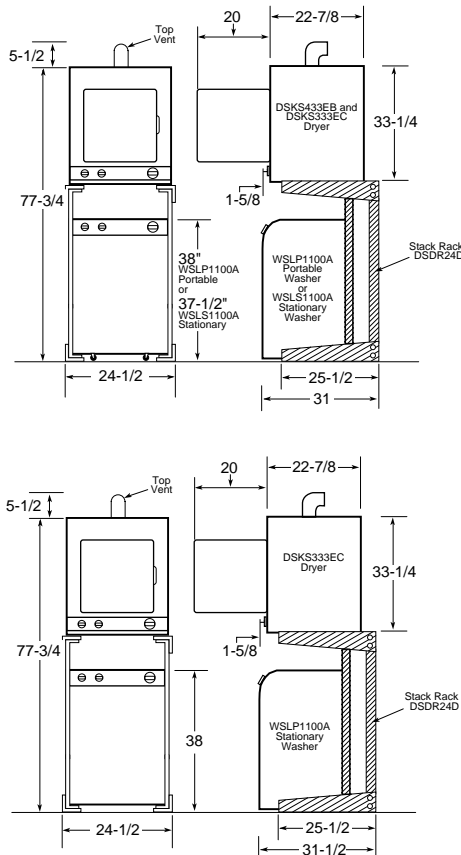
Individual Spacemaker Washers	GE		
	Stationary WSLP1100A	Portable WSLP1100A	Stationary WSKS2060W
<b>Capacity</b>			
Capacity (cu. ft.)	2.5 Extra-large	2.5 Extra-large	2.0 Large
<b>Features</b>			
Wash/spin speed combinations	1	1	2
Wash/rinse temperatures	4	4	3
Water levels	4	4	4
Number of cycles	10	10	6
Cycle countdown	Digital	Digital	
<b>Regular</b>			
Heavy Soil	●	●	●
Medium Soil	●	●	●
<b>Perm. Press</b>			
Medium Soil	●	●	●
Light Soil	●	●	●
Delicates	●	●	●
<b>Spin only</b>	●	●	●
One-touch load sensing	●	●	●
Automatic cool down	●	●	●
Bleach dispenser	●	●	●
Fabric softener dispenser	●	●	●
Automatic detergent dispenser	●	●	●
Lint filter	2 Removable	2 Removable	●
Washer lid type	Bifold	Bifold	Solid
Quiet pump	●	●	●
Easy-roll rollers		●	
Unicouple connector		●	
Basket material	Stainless steel	Stainless steel	Porcelain-on-steel
<b>Appearance</b>			
Colors available*	WW	WW, WH	WW, WH
<b>Weights &amp; Dimensions</b>			
Circuit requirements	120V, 60 Hertz, 15 or 20 Amps		
Dimensions (HxWxD in inches)**	37-1/2 <sup>†</sup> x 23-5/8 x 26	38 x 23-5/8 x 26	34-1/4 x 22-1/4 x 24
Approx. shipping wt. (lbs.)	114	116	109

\*Colors available: WW = White on white, WH = White with black controls.  
 \*\*Depth measured from front of control knob.  
 †With leveling legs extended.

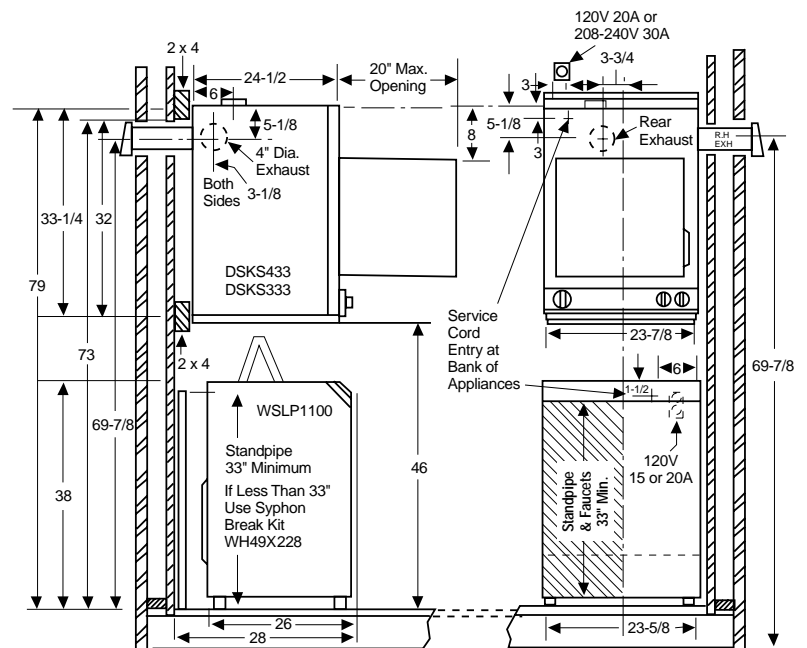
Individual Spacemaker Dryers	GE	
	DSKS433EB	DSKP333EC* DSKS333EC
<b>Capacity</b>		
Capacity (cu. ft.)	3.6	3.6
<b>Features</b>		
Dry control	Automatic	Automatic
Heat selections	4	3 (timer)
Number of dry cycles	3	3
Auto. Perm. Press & Delicate	●	
Auto. Reg.	●	●
Timed Regular (min.)	140	150
Air Fluff (min.)	(Heat selection)	30
Separate start switch	●	●
<b>Control location</b>	Mid-band	Top Mid-band
<b>Lint filter</b>	Upfront	Upfront
<b>Appearance</b>		
Colors available**	WW, WH	WW WW, WH
<b>Weight &amp; Dimensions</b>		
Exhaust options***	4-Way 240/208Vt, 60 Hertz, 30 Amp	4 way – Rear, Bottom, Left, Right 4 way – Rear, Top, Left, Right 120V, 60 Hertz, 15 Amp
Circuit requirements	No Cord	6 feet
Power cord	33-1/4 x 23-7/8 x 24-1/2	33-1/4 x 23-7/8 x 24-1/2
Dimensions (HxWxD in inches)	WMK-35	WMK-35
Wall-mount kit (available at additional cost)	108	108
Approx. shipping wt. (lbs.)	108	108

\*DSKP333EC dryer comes equipped with casters and stationary leveling legs.  
 \*\*Colors available: WW = White on white, WH = White with black controls.  
 \*\*\*DSKS433EB and DSKS333EC are shipped exhausted through the top.  
 †Rear-mounted outlet on DSKS433EB (120V, 60 Hertz, 10 Amp) DSKS433EB and DSKS333EC approved for use with washer/dryer stack rack DSDR24D.  
**Circuit Requirements:** An individual, properly grounded branch circuit of the proper voltage and frequency as specified on the rating plate, with no other appliances or fixtures in circuit, is required.

## Top Vent Installation Dimensions (in inches)



## Wall-Mount Installation Dimensions (in inches)



# Unitized GE Spacemaker Washers and Dryers

	GE			
	Electric		Gas	
Washer	WSM2700D	WSM2420D	WSM2780D	WSM2480D
Capacity	X-large	X-large	Compact	Compact
Features				
Wash/spin speed combinations	1	2		
Wash/rinse temperatures	3	3		
Water levels	3	3		
Number of wash cycles	3	3		
Regular	●	●		
Perm. Press	●	●		
Delicates	●	●		
Unbalanced load control	●	●		
Lint filter	●	●		

Dryer				
Features				
Automatic dry control		●		●
Number of dry cycles		4		4
Auto Regular		●		●
Auto Perm. Press				●
Delicates		●		●
Timed		●		●
Air Fluff		●		●
Control location		Mid-band		Mid-band
Exhaust options		Rear		Rear/Sides

Appearance		
Colors available*	WW, CC WW	WW, CC WW
Weight & Dimensions		
Dimensions (HxWxD in inches)	75-1/2 x 27 x 30-13/16**	71-3/4 x 23-7/8 x 27-1/4**
Approx. shipping wt. (lbs.)	300	238

\*WW = White on white, CC = Bisque on bisque  
 \*\*Depth dimension assumes water hook-up is recessed in the wall.  
 Note: The third prong on the WSM2780D plug configuration is a flat spade type rather than a typical round probe. It requires a matching wall outlet.

### Electrical Requirements for Unitized Spacemaker® Dryers

**WSM2700D: Electric Dryer**—This appliance should be connected to an individual, properly grounded branch circuit with 120/240V or 120/208V single-phase 60 Hz electrical service and should be protected by 30-amp time-delay fuses or circuit breakers. This appliance is manufactured with neutral connected to the frame. Power cord should be purchased separately.

**WSM2420D: Electric Dryer**—This appliance should be connected to an individual, properly grounded branch circuit with 120/240V single-phase 60Hz electrical service and should be protected by 30-amp time-delay fuses or circuit breakers. This appliance is manufactured with the neutral connected to the frame. Power cord should be purchased separately.

**NOTE: THESE APPLIANCES ARE NOT APPROVED FOR 120-VOLT OPERATION.**

**WSM2480D: Gas Dryer**—This appliance should be connected to an individual, properly grounded branch circuit with a three-prong grounding-type receptacle and 120-volt single-phase 60 Hz electrical service and should be protected by 15- or 20-amp time-delay fuses or circuit breakers. This appliance is equipped with a 6-foot long flexible U.L. listed 20-amp power cord to match a 15-amp receptacle.

**Gas Rated** input 10,500 BTU/HR. Factory equipped for natural gas. Tested for LP gas.

**WSM2780D: Gas Dryer**—This appliance should be connected to an individual branch circuit with 120-volt single-phase 60 Hz electrical service and should be protected by 20-amp time-delay fuses or circuit breakers. This appliance is equipped with a 4-foot long flexible U.L. listed 20-amp power cord to match a 20-amp receptacle.

**Gas Rated** input 20,000 BTU/HR. Factory equipped for natural gas.

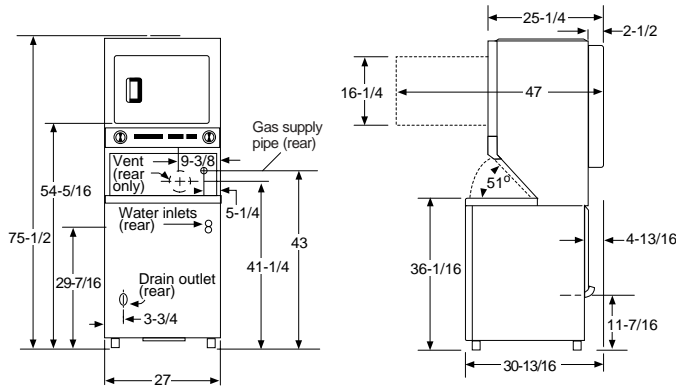
**LP gas supply requires a conversion kit.**  
 Kits: WSM2780D—WE25X206  
 WSM2480D—WE25X0219

Have a qualified gas technician install a conversion kit before use.

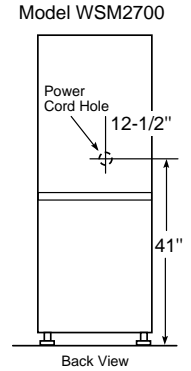
**Exhaust Information**  
 See "Dryer Exhausting Information" on page 234.

For complete information see installation instructions packed with the product.

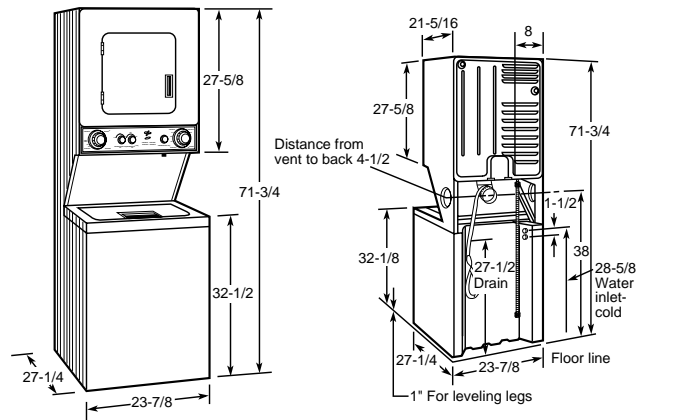
### Models WSM2700D and WSM2780D Dimensions (in inches)



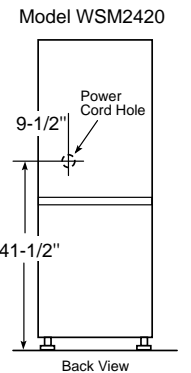
### Power Cord Location



### Models WSM2420D and WSM2480D Dimensions (in inches)



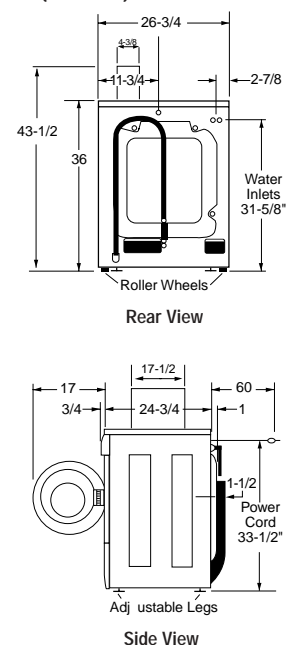
### Power Cord Location



## Commercial Front-Loading Washer

	GE
	WCCH404VWW
Capacity	
Capacity (cu. ft.)	16 pound (2.7—3.1 per IEC)
Features	
Efficiency	ENERGY STAR® Rated
Reverse wash action	●
Total water usage	Approx. 25 gallons maximum
Wash/rinse temp.	3/1
Automatic water levels	●
Wash program	Standard wash + 3 rinses (26 min. excl. fill times)
Wash options	
Color Cottons	●
Permanent Press	●
White Cottons	●
Delicates	●
Extraction	850rpm/210 G's
Automatic dispensing opt.	Detergent, Liquid Bleach, Fabric Softener
Suspension	Soft Mount
Drain pump	13 gpm @ 36 in head
Leveling system	Front Leveling Legs/Rear Rollers
Wash basket	Stainless steel
Door style	Glass
Appearance	
Colors available	White
Control panel	Brushed alum./black/burgundy
Weights & Dimensions	
Dimensions (HxWxD inches)	36 x 26-3/4 x 24-3/4 (without coin box)
Approx. shipping weight (lbs.)	217
Power Ratings	
Electrical requirements	120v, 60hz, 12.0 amps

### Washer Dimensions (in inches)



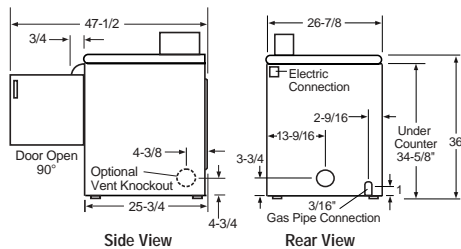
Note: Coin Box Requires assembly to washer, per enclosed Pub. No. 31-15484. Includes accumulator. Coin slides, drops, or smart card accessory must be ordered from supplier separately.

See pages 158 and 159 for warranty information.

# Commercial Front-Loading Matching Dryer

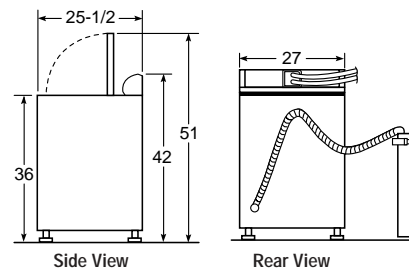
		GE®
		DCCH43EV/GV
<b>Capacity</b>		
Capacity (cu. ft.)		Extra-large (5.7)
<b>Features</b>		
Heat selections		3
Dry cycles		3
High Heat		●
Medium Heat		●
Low Heat		●
Lockable lint filter		●
Door swing		Reversible
Drum finish		White DuraDrum™
Front serviceable		●
<b>Appearance</b>		
Colors available		White
Control panel		Brushed alum./ black/burgundy
<b>Weights &amp; Dimensions</b>		
Approx. shipping weight (lbs.)	Electric	116
	Gas	116

## Dryer Dimensions (in inches)



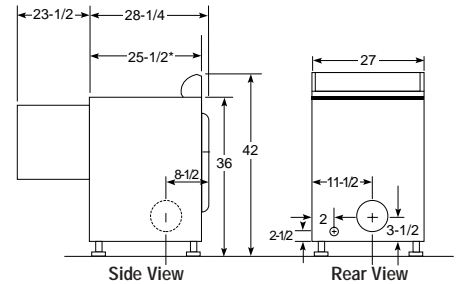
		GE Washers	
		WNCJ2050D	WNC2050D
<b>Capacity</b>			
Capacity (cu. ft.)		Extra-large (2.7)	Extra-large (2.7)
<b>Features</b>			
Wash/spin speed comb.		3	3
Wash/rinse temperatures		3	3
Water levels		Adjustable	Adjustable
Digital cycle countdown		●	●
Number of wash cycles		5	5
White cottons		●	●
Colored cottons		●	●
Bright colors		●	●
Permanent Press		●	●
Delicate		●	●
Quiet performance		●	●
Lid instructions		●	●
LED indicators		●	●
<b>Smart Card Features</b>			
Reader		BridgePoint	ESD
Alphanumeric display		●	●
Control card		●	●
<b>Appearance</b>			
Colors available		White	White
Control panel		Brushed alum./ black/burgundy	Brushed alum./ black/burgundy
<b>Weights &amp; Dimensions</b>			
Approx. shipping wt. (lbs.)		170	170

## Dimensions (in inches)



		GE Dryers	
		DNCJ440EA/GA	DNCK440EA/GA
<b>Capacity</b>			
Capacity (cu. ft.)		Super (7.0)	Super (7.0)
<b>Features</b>			
Heat selections		4	4
Dry cycles		4	4
High Heat		●	●
Medium Heat		●	●
Low Heat		●	●
Cool down		w/high heat	w/high heat
Digital cycle countdown		●	●
Quiet performance		●	●
Lockable lint filter		●	●
LED indicators		●	●
Door swing		Reversible	Reversible
Drum finish		White DuraDrum	White DuraDrum
<b>Smart Card Features</b>			
Reader		BridgePoint	ESD
Alphanumeric display		●	●
Control card		●	●
<b>Appearance</b>			
Colors available		White	White
Control panel		Brushed alum./ black/burgundy	Brushed alum./ black/burgundy
<b>Weights &amp; Dimensions</b>			
Approx. shipping weight (lbs.)	Electric	130	130
	Gas	125	125

## Dimensions (in inches)



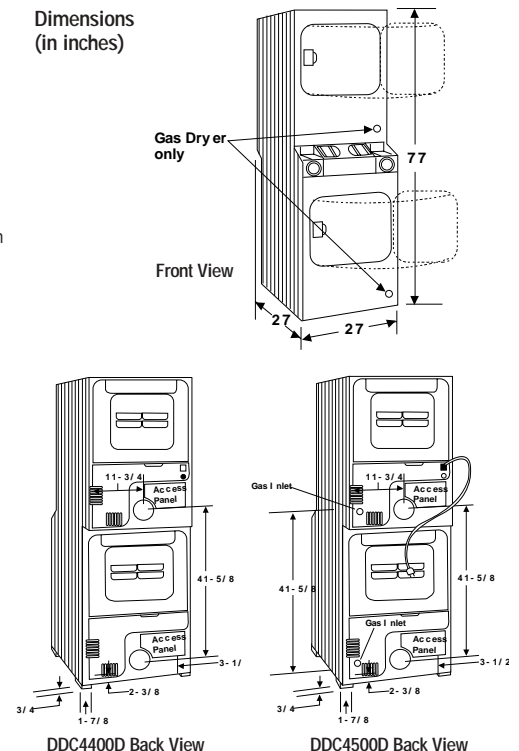
# Stackable Commercial Dryers

		GE Dryers	
		DDC4400D	DDC4500D
<b>Capacity</b>			
Capacity (cu. ft.)		Large (5.4)	
<b>Features</b>			
Automatic Dry Control		●	
Upfront lint filter		●	
Heat selections		3	
Number of cycles		3	
Cottons		●	
Permanent Press		●	
Delicates/Synthetic/Knits		●	
100% front serviceable		●	
Reverse-A-Door		●	
Heavy-duty 1/4 HP motor		●	
<b>Appearance</b>			
Colors available		White	
<b>Weight &amp; Dimensions</b>			
Approx. shipping weight (lbs.)	Electric	275	
	Gas	275	
Stacked (HxWxD in inches)		77 x 27 x 27	

**Exhaust Options:**  
**Electric:** 3-way venting: left, right, or rear. Maximum recommended exhaust duct length is 25 feet of 4" rigid ducting with two 90° elbows and 4" dampered wall cap.  
**Gas:** 2-way venting: left, or rear. Maximum recommended exhaust duct length is 15 feet of 4" rigid ducting with two 90° elbows and a dampered wall cap.  
 Dryer is shipped with exhaust to the rear. (See Installation Instructions.)  
**Circuit Requirements:**  
**Electric:** An individual branch circuit fused for 30 amps is required for each dryer.  
**Electric Dryer Rating:** 240V, 60Hz, 5600W, 24A 208V, 60Hz, 4400W, 22A  
 A special 208-volt heater, part number WE11X0101 is available to reduce drying time in 208-volt installations.  
**Gas:** An individual branch circuit, properly grounded for a 3-prong outlet, fused for 15 or 20 amps is required for each dryer.

**Gas Dryer Rating:** 115V, 60Hz  
**Gas (BTU/Hr):** Maintains thermostatically controlled heat flow to dry clothes gently. Longer cool down period on Permanent Press cycle helps prevent heat-set wrinkles. Separate thermostat controls lower temperatures for Knit cycle drying. Factory equipped for natural gas. Tested for LP gas. A conversion kit is required for LP gas. Check installation instructions for correct kit number. Have a qualified technician install the conversion kit.  
**See Pub. No. 31-1723 for DDC4400D and Pub. No. 31-1724 for DDC4500D installation instructions.**  
**Note:** Dimensions and specifications shown here are correct at the time this sheet was printed. Before proceeding with construction or rough-in, check installation instructions that came with your unit. Specifications, dimensions and design are subject to change without notice.  
**Note:** Wall anchor chain provided for gas models only.

## Dimensions (in inches)

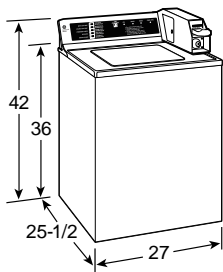




# Commercial Washers and Dryers

	GE Washers			
	WCCB1030D	WCCD2050D	WCRD2050D	WLCD2050D
<b>Capacity</b>				
Capacity (cu. ft.)	3.2	3.2	3.5	3.2
<b>Features</b>				
Wash Time (excludes fill)	24 min.	24 min.	24 min.	31.5 min.
Water Usage	29,32/35 gal.	29,32/35 gal.	29,32/35 gal.	29,32/35 gal.
<b>Control</b>	Coin-op	Coin-op	Coin-op	Coin-op
Coin box/Card reader	Box shipped attached	Box shipped attached	Box shipped attached	Box shipped attached
Coin slide/drop box/card reader	Customer supplied	Customer supplied	Customer supplied	Customer supplied
Display		LED	LED	LED
Cycle indicator lights	●	●	●	●
<b>Washing Features</b>				
Wash/Rinse Temperatures	3	3	3	3
Wash/Spin Speed Combinations	1	2	2	2
Motor Speeds	1	2	2	2
Water Levels	3- Adjustable	3- Adjustable	3- Adjustable	3- Adjustable
Agitator Type	GentlePower™	GentlePower™	GentlePower™	GentlePower™
Wash Basket Type	ExtrAction™	ExtrAction™	Stainless steel	ExtrAction™
Number of Wash Cycles	3	5	5	5
<b>Cycles</b>				
Whites/Cotton Regular	●	●	●	●
Colors/Cotton		●	●	
Bright Colors		●	●	
Permanent Press	●	●	●	●
Delicates Cycle	●	●	●	●
<b>Appearance</b>				
Colors Available	White/Bisque	White/Bisque	White	White
<b>Weights &amp; Dimensions</b>				
Approx. shipping weight (lbs.)	174	174	190	174
Dimensions (HxWxD in inches)	← 42 x 27 x 25-1/2 →			

### Dimensions (in inches)



### Energy Saving:

All wash cycles include energy-saving cold water rinse. Total cycle time—24 minutes plus fill time. Actual wash time is 8 minutes with a final spin speed of approximately 630 RPM.

### Circuit Requirement:

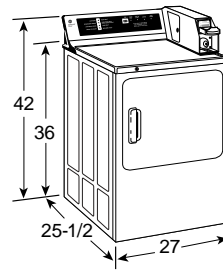
An individual, properly grounded 15- or 20-amp branch circuit is required. **Electrical Rating:** 115V, 60Hz

See Pub. No. 31-15400 for installation instructions.

Note: Coin slide or coin drop, coin vault, and locks for cover and meter case access door are not provided with washer.

	GE Dryers	
	Electric Gas	
	DCCB330ED	DCCD330ED
	DCCB330GD	DCCD330GD
<b>Capacity</b>		
Capacity (cu. ft.)	Super Plus (7.0)	Super Plus (7.0)
<b>Features</b>		
Control	Coin-Op	Coin-Op
Coin Box/Card Reader	Box shipped attached	Box shipped attached
Coin slide/drop box/card reader	Customer supplied	Customer supplied
Display		LED
Control type	Pushbutton	Pushbutton w/ LED Count Down
Cycle indicator lights	●	●
<b>Heating Features</b>		
Heats	3	3
Lint filter	Upfront	Upfront
Dryer baffles/paddles	Plastic	Plastic
Dryer drum type	Painted	Painted
Number of dry cycles	3	3
<b>Cycles</b>		
Whites/cottons/mixed loads	●	●
Knits/synthetics/delicates cycle	●	●
Permanent press	●	●
<b>Gas Requirements</b>		
Gas rate	22000 BTU/Hr	22000 BTU/Hr
Type	Natural gas	Natural gas
Options	LP kit available	LP kit available
Ignition	Glo-Bar	Glo-Bar
<b>Appearance</b>		
Colors Available	White/Bisque	White/Bisque
<b>Weights &amp; Dimensions</b>		
Approx. shipping wt. electric (lbs.)	125	125
Approx. shipping wt. gas (lbs.)	135	135
Dimensions (HxWxD in inches)	← 42 x 28-1/2 x 25-1/2 →	

### Dimensions (in inches)



### Exhaust Options:

**Electric:** 4-way venting: left, right, bottom and rear. Maximum recommended exhaust duct length is 45 feet of 4" rigid ducting with two 90° elbows and 4" dampered wall cap.

**Gas:** 3-way venting: left, bottom and rear. Maximum recommended exhaust duct length is 15 feet of 4" rigid ducting with two 90° elbows and a dampered wall cap.

Dryer is shipped with exhaust to the rear. (See Installation Instructions.)

See Pub. No. 31-1746 for installation instructions.

### Circuit Requirements:

**Electric** An individual branch circuit fused for 30 amps is required for each dryer.

**Electric Dryer Rating:**  
240V, 60Hz, 5600W, 24A  
208V, 60Hz, 4400W, 22A

**Gas:** An individual branch circuit fused for 15 or 20 amps is required for each dryer.

**Gas Dryer Rating:** 120V, 60Hz

**Gas (BTU/Hr):** 20,000. Factory equipped for natural gas. Tested for LP gas. A conversion kit is required for LP gas. Check installation instructions for correct kit number. Have a qualified technician install the conversion kit. Equipped with energy saving Glo-Bar ignition.

**Dryer Note:** Dryer wall outlet must be located within 36" of service cord entry and accessible when dryer is mounted in position.

**Note:** Dimensions and specifications shown here are correct at the time this sheet was printed. Before proceeding with construction or rough-in, check installation instructions that came with your unit. Specifications, dimensions and design are subject to change without notice.

# Non-Coin-Op Commercial Washers and Dryers

	GE Washer
	WNRD2050D
<b>Capacity</b>	
Capacity (cu. ft.)	Super Plus (3.2)
<b>Features</b>	
Motor	2-speed
Wash/spin speed combinations	3
Wash/rinse temperatures	3
Water levels	4
Digital cycle countdown	●
Number of wash cycles	5
White cottons	●
Colored cottons	●
Bright colors	●
Permanent Press	●
Delicate	●
Spin only	●
Bleach dispenser	●
Fabric softener dispenser	●
Quiet performance	Deluxe quiet
Lid instructions	●
LED indicators	●
<b>Appearance</b>	
Colors available	White
<b>Weights &amp; Dimensions</b>	
Approx. shipping weight (lbs.)	160

	GE Dryer
	DNCD450EA/GA
<b>Capacity</b>	
Capacity (cu. ft.)	Super (7.0)
<b>Features</b>	
Dry cycles	5
Cottons/high heat	●
Mixed loads/ high heat	●
Perm press/ medium heat	●
Knits/low heat	●
Delicates/extra low heat	●
Temperatures	4
Air dry	●
Digital cycle countdown	●
Quiet performance	Hush quiet
Lockable lint filter	●
LED indicators	●
Door swing	Reversible
Drum material	White DuraDrum™
<b>Appearance</b>	
Colors available	White
<b>Weights &amp; Dimensions</b>	
Approx. shipping weight (lbs.)	125

# SmartWater™ Reverse Osmosis Filtration Systems

	GE Profile™			GE®
	PNRV18ZWW PNRV18ZCC PNRV18ZBB	PNRV18ZWH PNRV18ZBL	PNRV12ZBL	GXRV10ABL
<b>Capacity</b>				
Storage tank capacity (gals.)	1.9	1.9	2.1	1.3
<b>Features</b>				
SmartWater faucet	Electronic Monitor	Electronic Monitor	Electronic Monitor	Short-Reach
Faucet color	White on white Bisque on bisque Black on black	Chrome with white Chrome with black	Chrome with black	Chrome with black
Output per day (gals.) – production rate (gpd) as tested by WOA Standard S-300	18*	18*	12	10
Process water used (per gal.)	4	4	4	4
Working pressure (psi)	40 min. – 125 max.	40 min. – 125 max.	40 min. – 125 max.	40 min. – 125 max.
Maximum TDS removal (ppm)	2000	2000	2000	2000
Percent TDS removal** (ppm)	75-92	75-92	75-92	75-92
Percent cysts reduction	99.95 effective	99.95 effective	99.95 effective	99.95 effective
Maximum hardness	10 grains	10 grains	10 grains	10 grains
Feed water pH limits	4-10	4-10	4-10	4-10
Operation and storage water temperature	40-100° F	40-100° F	40-100° F	40-100° F
Auto shut-off	●	●	●	●
<b>Filters &amp; Membrane</b>				
RO membrane	FX18M Thin Film Polyamid (TFP)	FX18M Thin Film Polyamid (TFP)	FX12M Thin Film Polyamid (TFP)	FX12M Thin Film Polyamid (TFP)
Pre-filter (Sediment)	FX18P-Act. Carbon Block	FX18P-Act. Carbon Block	FX12P-Carbon Composite	FX12P-Carbon Block
Post-filter (Taste/Odor)	FX18P-Gran. Act. Carbon	FX18P-Gran. Act. Carbon	FX12P-Carbon Composite	FX12P-Carbon Block
RO filtration indicator	Electronic	Electronic	Electronic	Electronic
Filter change indicator	Electronic	Electronic	Electronic	Electronic
Under counter installation (kit included)	●	●	●	●
Optional basement installation (hardware not included)	●	●	●	●
<b>Appearance</b>				
Style	All-In-One	All-In-One	Bracket	Bracket
Unit color	Grey	Grey	Grey	White
Filter housing	Opaque	Opaque	Opaque	Opaque
<b>Weights &amp; Dimensions</b>				
Approximate shipping weight (lbs.)	16	16	23	20
Overall W x H x D (in.)	10 x 21 x 10	10 x 21 x 10	17 x 16 x 5-3/4 (unit) 11 x 17 x 11 (tank)	17 x 16 x 5-3/4 (unit) 9 x 15 x 9 (tank)
<b>Power/Ratings</b>				
Faucet monitor power requirement	4 AA batteries (included)	4 AA batteries (included)	4 AA batteries (included)	
<b>Accessories (available at additional cost)</b>				
Supplemental tank	RVTNK1	RVTNK1	RVTNK1	RVTNK1
Storage cabinet	RV18CBNT	RV18CBNT		
Icemaker connection kit	RVKIT	RVKIT	RVKIT	RVKIT

\*Output according to ANSI/NSF Standard 58 as tested by Spectrum Labs, Inc. is 14 gals. per day. Feed water over 10 grains of hardness may affect performance of the filtration system.

\*\*Feed water = 50 psig, 77°F, pH = 7.5 ± 5 and 750 ppm TDS as sodium chloride. Product water produced, amount of waste and percent rejection will vary with changes in pressure, temperature and total dissolved solids. Feed water over 10 grains of hardness may affect performance of the filtration system.



GE Reverse Osmosis Models PNRV18Z, PNRV12Z and GXRV10ABL Series are tested and certified to ANSI/NSF Standard 58 for TDS and cyst reduction.

### NSF Approved

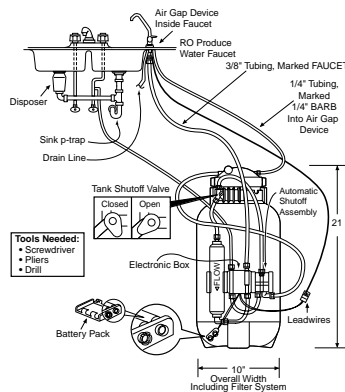
NSF is the most highly recognized independent testing institution in the water treatment industry. NSF inspects our manufacturing facilities, structurally tests our product, tests our product to make sure nothing harmful is added to the water, and certifies our product performance as specified on the performance data sheet (inside the product box).

### SPECTRUM LABS INC.

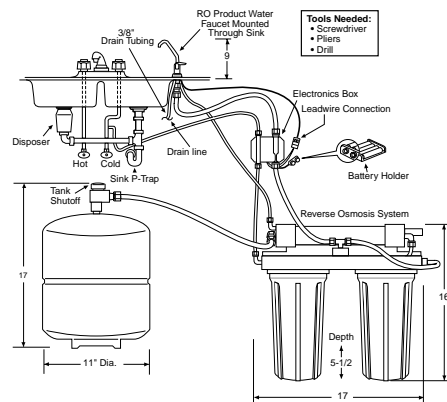
The GE Reverse Osmosis models PNRV18Z, PNRV12Z and GXRV10ABL Series have been quality tested by an independent laboratory, Spectrum Labs, Inc.

**Caution:** Do not use with water that is micro-biologically unsafe or of unknown quality, without adequate disinfection before or after the system. Systems certified for cyst reduction may be used on disinfected water that may contain filterable cysts. This reverse osmosis unit contains a replaceable membrane cartridge treatment component critical for effective removal of Total Dissolved Solids. The water should be tested periodically to verify that the system is performing satisfactorily.

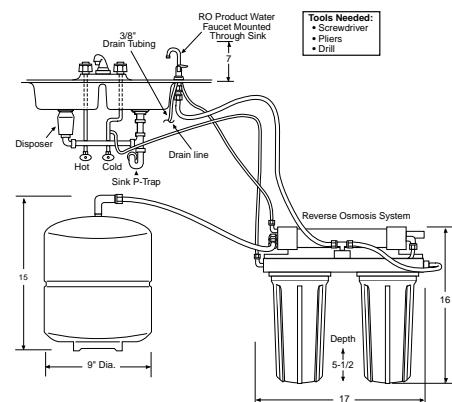
## Models PNRV18Z Installation Information (in inches)



## Model PNRV12ZBL Installation Information (in inches)



## Model GXRV10ABL Installation Information (in inches)



## Installation and Parts Information

**Note:** R.O. System can be installed up to 30 feet from point-of-use/faucet.

**Note:** Can be installed under counter (as shown), in basement, or other convenient location. Before installing, see installation instructions packed with product for complete details.

### Replacement Membranes, Pre- and Post-Filters

Call SmartWater Services, toll-free, 800.952.5039 for convenient ordering.

### Water Test Kit

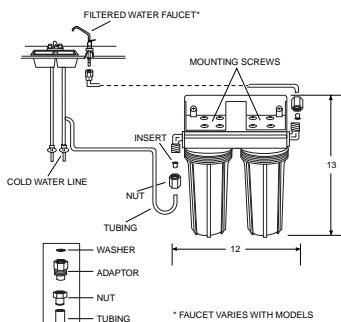
To order a water test kit, call 800.626.2000.

# SmartWater Dual and Single Stage Water Filtration Systems

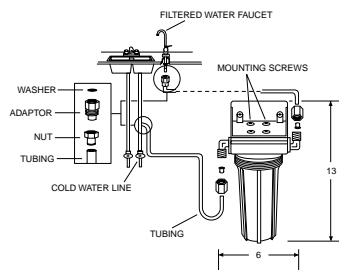
Features	GE		
	Dual Stage		Single Stage
	GNSV30CWW GNSV30CCC GNSV25CBL	GNSL05CBL	GN1S15CBL
SmartWater faucet	Electronic Monitor	Electronic Monitor	Short-reach
Faucet color	White on white Bisque on bisque Chrome w/black	Chrome w/black	Chrome w/black
Feed water pressure (psi)	40 min.-125 max.	40 min.-125 max.	40 min.-125 max.
Feed water temperature	40-100°F	40-100°F	40-100°F
Filtered water flow (gpm)	0.6	0.6	0.6
<b>Filter I</b>	Filter Set-FXSVC	Filter Set-FXSCLC	FXULC
Filter cartridge	Block Act. Carbon	Polyspun Depth Filter	Block Act. Carbon
<b>Filter II</b>	Filter set-FXSVC (VOC)	Filter Set-FXSCLC (Lead,Cysts)	N/A
Filter cartridge	Gran. Act. Carbon	Block Act. Carbon	N/A
Particulate removal	0.5-1 micron	0.5-1 micron	Nominal 0.5 micron
Chlorine reduction (percent / gals.)	97/600	97/600	97/600
Filter life	6 months	6 months	6 months
Lead reduction (percent / gals.)	98/600	98/600	98/600
Cysts reduction (percent)	99.99	99.99	99.99
Turbidity reduction (percent)	99	99	99
Lindane reduction (percent / gals.) (a pesticide)	●	91/600	91/600
Asbestos reduction (percent)	99	99	99
Mercury reduction (percent / gals.)	90/600	90/600	90/600
Atrazine reduction (percent / gals.)	●	89/600	89/600
Filter change indicator	Electronic	Electronic	Sticker
Installation kit	●	●	●
Fittings	●	●	●
Optional basement installation (hardware not included)	●	●	●
<b>Appearance</b>			
Style	Bracket	Bracket	Bracket
Unit color	White	White	White
Filter housing	White	White	White
<b>Weights &amp; Dimensions</b>			
Approximate shipping weight (lbs.)	7	7	3.8
Overall W x H x D (in.)	12 x 13 x 4-5/8	12 x 13 x 4-5/8	5-1/2 x 13 x 4-3/4
<b>Shipping</b>			
Quantity per pack	1	1	8/1
<b>Power/Ratings</b>			
Faucet monitor power requirement	2 AA batteries (incl.)	2 AA batteries (incl.)	N/A
<b>Accessories (available at add'l cost)</b>			
Icemaker connection kit	UCKIT	UCKIT	UCKIT
Replacement filter	FXSVC (dual pack)	FXSCLC (dual pack)	FXUTC/FXULC

**Caution:** Do not use with water that is microbiologically unsafe or of unknown quality, without adequate disinfection before or after the system. Systems certified for cysts reduction may be used on disinfected water that may contain filterable cysts.

## Models GNSV30C/GNSV25C/GNSL05C Installation Information (in inches)



## Model GN1S15C Installation Information (in inches)



## Installation and Parts Information

**Note:** Can be installed under counter (as shown), in basement, or other convenient location. Before installing, see installation instructions packed with product for complete details.

### Replacement Filters

Call SmartWater Services toll-free 800.952.5039 to order replacement filters.

### Water Test Kit

To order a water test kit, call 800.626.2000.



GNSV25CBL, GNSV30CCC, GNSV30CWW, GN1S15CBL and GNSL05CBL are Tested and Certified by NSF International against ANSI/NSF Standard 42 for Particulate Reduction Class 1, Chlorine Reduction Class 1 and Taste and Odor Reduction.

GNSV25CBL, GNSV30CCC and GNSV30CWW are Tested and Certified by NSF International against ANSI/NSF Standard 53 for Lead, Cysts, Turbidity, Asbestos, Mercury and VOC Reduction.

GN1S15CBL and GNSL05CBL are Capital Tested and Capital Certified by NSF International against ANSI/NSF Standard 53 for Lead, Cyst, Turbidity, Asbestos, Lindane, Atrazine and Mercury Reduction.

# SmartWater Softening Systems

	GE		
	GNSH45E	GXSH39E	GXSF27E
<b>Capacity</b>			
Capacity (grains)	45000*	39000*	27100*
<b>Features</b>			
Efficiency (grains per lb.-salt)	5350**	5360**	5060**
Maximum hardness removal (ppg)	160	110	95
Maximum clear water iron reduction (ppm)	10	8	4
Resin filter type	Std. Mesh	Std. Mesh	Std. Mesh
Resin quantity (cu. ft.)	1.23	1.07	0.72
Resin tank size (in.)	10 x 40	9 x 40	8 x 40
Salt capacity (lbs.)	200	200	200
Regeneration time (min.)	Approx. 118	Approx. 118	Approx. 118
Service flow rate (at 15 psi drop)	12.5	11	8
Installation pack	●	●	●
Permanent settings memory	●	●	●
Electronic controls	●	●	●
Days to empty indicator	●	●	●
Low salt indicator	●	●	●
Status light indicator	●	●	●
Audible alarm	●	●	●
Systems monitor	●	●	●
Valve size	1"	1"	3/4"
Plumbing connections	Up to 1-1/4"	Up to 1-1/4"	Up to 1"
<b>Appearance</b>			
Style	Sculpted	Sculpted	Sculpted
Unit color	Light Grey	Light Grey	Light Grey
Electronic demand driven	●	●	●
<b>Weights &amp; Dimensions</b>			
Approximate shipping weight (lbs.)	114	100	80
Overall W x H x L (in.)	51x20x20	51x20x20	51x20x20
<b>Power/Ratings</b>			
Electronic rating	24V, 60Hz	24V, 60Hz	24V, 60Hz

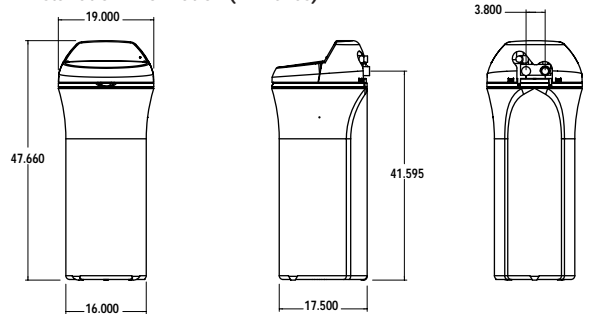
\*GNSH45E-Test protocol @ 13.6 lbs. of salt.  
GXSH39E-Test protocol @ 11.8 lbs. of salt.  
GXSF27E-Test protocol @ 11.5 lbs. of salt.

\*\*GNSH45E-Test protocol @ 3.6 lbs. of salt.  
GXSH39E-Test protocol @ 3.2 lbs. of salt.  
GXSF27E-Test protocol @ 2.2 lbs. of salt.

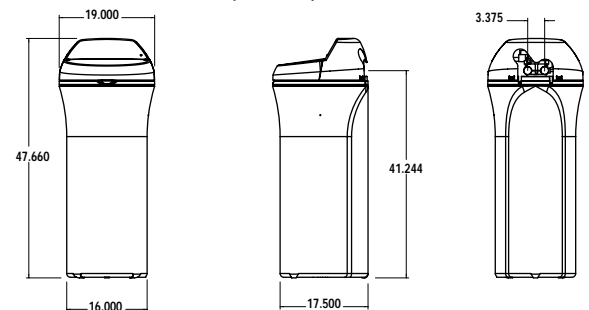
**Important:** All units must be installed according to local codes.

**Note:** Before installing, see installation instructions packed with product for complete details, or call GE QuickSpecs 800-432-3729.

## Models GNSH45E and GXSH39E Installation Information (in inches)



## Model GXSF27E Installation Information (in inches)



GNSH45E, GXSH39E and GXSF27E conform to ANSI/NSF 44 for specifically claimed performance.

See page 159 for warranty information.



# Vertical Packaged Terminal Air Conditioning

Features	GE*					
	Electric Resistance Heat			Heat Pumps		
	AZ75E09DAC	AZ75E12DAC	AZ75E18DAC	AZ75H09DAC	AZ75H12DAC	AZ75H18DAC
BTUH	9,500/9,300	11,700/11,500	17,500/17,200	9,500/9,300	11,700/11,500	17,500/17,200
Voltage	230/208	230/208	230/208	230/208	230/208	230/208
E.E.R. (BTUH/Watt)	10.5/10.5	10.7/10.7	10.0/10.0	10.5/10.5	10.7/10.7	10.0/10.0
Universal Heater (kW)	2.55/3.45/5.0	2.55/3.45/5.0	2.55/3.45/5.0	2.55/3.45/5.0	2.55/3.45/5.0	2.55/3.45/5.0
Dehumidification (pints/hr.)	2.7	3.6	5.0	2.7	3.6	5.0
Heating Cap (BTUH)				8,400/8,200	10,900/10,700	15,700/15,500
COP @ 47°				3.6	3.3/3.3	3.1
Indoor CFM (Hi/Lo)	310/260	375/315	550/475	310/260	375/315	550/475
Case Dimensions						
Height (in inches)	32-1/4	32-1/4	32-1/4	32-1/4	32-1/4	32-1/4
Width (in inches)	23-1/8	23-1/8	23-1/8	23-1/8	23-1/8	23-1/8
Depth (in inches)	23-1/8	23-1/8	23-1/8	23-1/8	23-1/8	23-1/8
Net weight (lbs.)	141	154	163	141	154	163
Approx. shipping weight (lbs.)	152	165	174	152	165	174

## Zoneline® Specifications—Heater Wattage and Power Connection Kits

### Deluxe Line: 2500, Dry Air 25 and 3200 Series

Models are manufactured with fixed heater wattages with the appropriate power cord attached (all 265 volt models are permanently connected).

5.0 KW heaters are not available on 7,000 BTUH models.

Voltage	Heater Amps	Heater Designator	Watts	KWH	Minimum Ampacity	BTUH
230/208	11.1/10.0	2	2550/2090	2.55/2.09	15	8600/7100
230/208	15.0/13.6	3	3450/2820	3.45/2.82	20	11,700/9600
230/208	21.7/19.7	5	5000/4090	5.00/4.09	30	17,000/13,900
265	9.7	3	2550	2.55	15	8600
265	14.0	4	3700	3.7	20	12,600
265	18.9	5	5000	5.0	30	17,000

### Premium Line: 5500 Series and Vertical 7500 Series

Power Connection Kits are REQUIRED on Premium Zoneline Chassis. (See chart.)

The correct kit for the installation is determined by the voltage and amperage of the electrical circuit and the means of connecting the unit to the building wiring. If the unit is to be plugged into a receptacle, a line cord kit would be used; if the unit is to be permanently connected, a permanent connection kit would be used.

**Note:** 265 volt cord set units must be installed in compliance with National Electrical Code®.

#### 230/208 Volt—Line Cord Connected Units

Power Connection Kit	RAK3152	RAK3202	RAK3302
Heater KW	2.55/2.09	3.45/2.82	5.00/4.09
Watts	2550/2090	3450/2820	5000/4090
BTUH	8600/7100	11,700/9600	17,000/13,900
Amps	11.1/10.0	15.0/13.6	21.7/19.7
Min. Circuit Amps	15	20	30
Recommended Protective Device	15 Amp Time Delay Fuse or Breaker	20 Amp Time Delay Fuse or Breaker	30 Amp Time Delay Fuse or Breaker

#### 5500 Series Only

##### 265 Volt—Permanent Connected Units\* (Cord Set)

Power Connection Kit	RAK5152	RAK5172	RAK5202	RAK5302
Heater KW	1.7	3.0	3.7	5.0
Watts	1700	3000	3700	5000
BTUH	5800	10,200	12,600	17,000
Amps	6.4	11.3	14.0	18.9
Min. Circuit Amps	15	15	20	30
Recommended Protective Device	15 Amp Time Delay Fuse	15 Amp Time Delay Fuse	20 Amp Time Delay Fuse	30 Amp Time Delay Fuse

\*To be used with sub-base.

#### Sub-bases

	RAK204U	RAK204D20	RAK204D30	RAK204E15	RAK204E20	RAK204E30
Voltage	N/A	230/208	230/208	265	265	265
Amps	N/A	15/20	30	15	20	30
Receptacle	N/A	NEMA6-20R	NEMA6-30R	NEMA7-15R	NEMA7-20R	NEMA7-30R

265 Volt units are to be direct connected. Cordset through enclosed chaseway into interior sub-base receptacle meets the NEC requirements.

#### Power Connection Kit

Required on premium models.

See specification sheet for heater KW and branch circuit ampacity.

#### Receptacles/Sub-bases



Tandem  
230/208V 15 Amp  
NEMA6-20R



Perpendicular  
230/208V 20 Amp  
NEMA6-20R



Large Tandem  
230/208V 30 Amp  
NEMA6-30R



265V 15 Amp  
NEMA7-15R:  
receptacle used on  
265V sub-base GE0715



265V 20 Amp  
NEMA7-20R:  
receptacle used on  
265V sub-base GE0720-3



265V 30 Amp  
NEMA7-30R:  
receptacle used on  
265V sub-base GE073



RAK3152/3202/3302  
230/208 volt Line  
Cord Connection Kit

GE has a policy of continuous improvement on its products and reserves the right to change materials and specifications without notice.

See page 159 for warranty information.

# Zoneline Packaged Terminal Unit Specifications

230/208V Models	GE				Dry Air 25		
	Deluxe Series—Cooling and Electric Heat				Dry Air 25		
	2500 Series Units				Dry Air 25		
	AZ25E07D	AZ25E09D	AZ25E12D	AZ25E15D	AZ25E07D*P	AZ25E09D*P	AZ25E12D*P
<b>Capacity</b>							
Cooling BTUH	7,100/6,900	9,000/8,800	11,700/11,500	14,600/14,300	6,800/6,600	8,600/8,400	11,200/11,000
EER (BTU/Watt)	11.8/11.8	11.5/11.5	10.9/10.9	9.6/9.6	11.1/11.1	10.8/10.8	10.2/10.2
Dehumidification Pts/Hr	1.7	2.7	3.6	4.5	2.2	3.4	4.5
<b>Features</b>							
CFM, Indoor Fan High	240	260	270	310	230	230	240
CFM, Indoor Fan Low	210	230	240	280	200	200	210
Vent CFM	40/35	65/60	70/65	70/65	40/35	65/60	70/65
<b>Power/Ratings</b>							
Power Factor	95	96	97	94	95	96	97
Sensible Heat Ratio @ 230 Volts	75%	68%	67%	67%	66%	58%	57%
Watts	600/585	785/765	1075/1055	1520/1490	600/585	785/765	1075/1055
Amperes, F.L.	2.8/3.0	3.6/3.9	4.9/5.3	7.0/7.5	2.8/3.0	3.6/3.9	4.9/5.3
Amperes, L.R.	19.0	21.0	33.0	38.0	19.0	21.0	33.0
Weight (Net/Ship)**	92/108	93/109	101/117	111/127	98/114	99/115	107/123

265V Models	GE				Dry Air 25		
	Deluxe Series—Cooling and Electric Heat				Dry Air 25		
	2500 Series Units				Dry Air 25		
	AZ25E07E	AZ25E09E	AZ25E12E	AZ25E15E	AZ25E07E*P	AZ25E09E*P	AZ25E12E*P
<b>Capacity</b>							
Cooling BTUH	7,100	9,000	11,700	14,600	6,800	8,600	11,200
EER (BTU/Watt)	11.8	11.5	10.9	9.6	11.1	10.8	10.2
Dehumidification Pts/Hr	1.7	2.7	3.6	4.5	2.2	3.4	4.5
<b>Features</b>							
CFM, Indoor Fan High	240	260	270	310	230	230	240
CFM, Indoor Fan Low	210	230	240	280	200	200	210
Vent CFM	40	65	70	70	40	65	70
<b>Power/Ratings</b>							
Power Factor	96	94	94	96	96	94	94
Sensible Heat Ratio @ 265 Volts	75%	68%	67%	67%	66%	58%	57%
Watts	600	785	1075	1520	600	785	1075
Amperes, F.L.	2.4	3.2	4.4	6.0	2.4	3.2	4.4
Amperes, L.R.	16.0	18.0	24.0	31.0	16.0	18.0	24.0
Weight (Net/Ship)**	92/108	93/109	100/117	111/127	98/114	99/115	107/123

\*For Dry Air 25 model number, designate respective heater number using chart above, followed by the letter "P".  
 \*\* ICR adds 3 pounds to unit weight.

## Zoneline Installation

### Simple Three-Step Installation

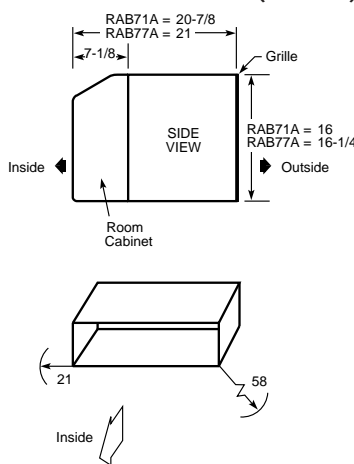
Zoneline heat pumps and heat/cool units are designed for easy installation, off or flush with the floor. When the SMC fiberglass-reinforced polyester sleeve is installed, the chassis simply slides into place.

Compatibility with existing Zoneline wall cases and rear grilles simplifies retrofit installations. A new chassis simply slides into the already installed wall case; the existing rear grille may be used as is, or with a minor modification for greater operating efficiency.

And the exclusive Quick Connect power supply kit with Premium Series makes it easy to connect the new unit to power sources already in place.

- 1. Frame the Opening.** The RAB77A SMC wall case requires an opening of 16-1/2" high x 42-3/8" wide. Position the sleeve, secure it to the studs and then caulk. Complete instructions are furnished with each unit.
- 2. Connect the Electrical Supply.** Each Zoneline unit requires a 230/208V or 265V power supply. *It is strongly recommended that electrical connections be made by a qualified electrician.* All wiring, including installation of the receptacle, must be in accordance with local codes.
- 3. Slide In Chassis.** With the wall sleeve, electrical receptacle, and exterior grille in place, the separate chassis simply slides into position. Install the roomside cabinet, and plug into the electrical receptacle. You are now ready for many years of quiet comfort.

### Maximum Cord Extension (in inches)



### Electrical Wiring

All wiring, including installation of receptacle, must be made in accordance with local electrical codes and regulations.

**Note:** Aluminum wiring may pose special problems—consult a qualified electrician.

### Cooling Sizes

All units come in four nominal cooling sizes: 7100, 9000, 12,000 and 15,000 BTUH.

### Resistance Heat

Resistance heat or back-up heat determined by Quick Connect power cord on the Premium Series and selected heater size for the Value Series (15 amp. 8600 BTU, 20 amp. 11,700 BTU and 30 amp. 17,000 BTU @ 230 volt).

### Grille Options

- Stamped Aluminum Grille—RAG60
- Molded Exterior Architectural Louvers (Cyclopol)
- RAG61 or RAG64 (Beige)
- RAG62 or RAG65 (Maple)
- RAG63 or RAG66 (Bittersweet)
- RAG67 (Extruded Aluminum)

### Ducted Applications

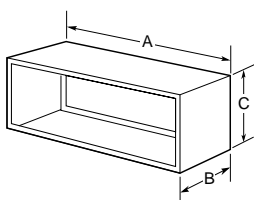
2200 and 3200 series can be used with ductwork to heat or cool more than one room. RAK6052 Duct Adapter is applied to top of case over air discharge/RAK601 Duct Extension is applied to right or left of adapter. Locally fabricated ductwork may be added to extend to maximum recommended distance of 15 feet.

### Electrical Connection

230/208-volt units may be plugged into a receptacle. 265-volt units and special application 230/208-volt units require direct connection. See Architects and Engineers Design Data Manual for electrical connection information including use of sub-base for direct connected units. Installation must comply with local electrical codes and regulations.

For the most current updates to features, specifications and installations or applications, visit our website at [www.zoneline.com](http://www.zoneline.com).

### Wall Case Dimensions



**RAB71 Insulated Wall Case**  
 Heavy-gauge galvanized steel, with insulation.  
 A-42", B-13-3/4", C-16"

**RAB77 Wall Case**  
 Molded SMC fiberglass-reinforced polyester compound.  
 A-42-1/8", B-13-7/8", C-16-1/4"

**Wall Opening Dimensions**  
 Add 1/4" to A and C dimensions for all cut-out size.  
 RAB71—16-1/4" min. H x 42-1/4" min. W  
 RAB77—16-1/2" min. H x 42-3/8" min. W

# Zoneline® Packaged Terminal Unit Specifications (continued)

GE®								
Deluxe Series—Heat Pump Units					Premium Series—Heat Pump Units			
3500 Series Units					5500 Series Units			
230/208V Models	AZ35H07D	AZ35H09D	AZ35H12D	AZ35H15D	AZ55H07D	AZ55H09D	AZ55H12D	AZ55H15D
<b>Capacity</b>								
Cooling BTUH	7,100/6,900	9,000/8,800	11,700/11,500	14,600/14,300	7,100/6,900	9,000/8,800	11,800/11,600	14,700/14,400
EER (BTU/Watt)	11.8/11.8	11.5/11.5	10.9/10.9	9.6/9.6	12.0/12.0	11.5/11.5	10.9/10.9	10.0/10.0
Dehumidification (pints/hr.)	1.7	2.7	3.6	4.5	1.7	2.8	3.6	4.8
<b>Features</b>								
CFM, Indoor Fan High	250	260	280	310	240	290	330	350
CFM, Indoor Fan Low	220	230	250	280	220	270	310	330
Vent CFM	40/35	65/60	70/65	70/65	40/35	65/60	70/65	70/65
<b>Power/Ratings</b>								
Power Factor	95	96	97	94	95	96	94	95
Sensible Heat Ratio @ 230 Volts	75%	68%	67%	67%	75%	67%	68%	65%
Watts	600/585	785/765	1075/1055	1520/1490	590/565	785/765	1085/1065	1470/1440
Amperes, F.L.	2.8/3.0	3.6/3.9	4.9/5.3	7.0/7.5	2.7/2.9	3.6/3.9	5.1/5.5	6.7/7.3
Amperes, L.R.	19.0	21.0	33.0	38.0	19.0	21.0	33.0	38.0
Reverse Cycle Heat BTUH	6400/6200	8400/8200	10900/10700	13400/13200	6,400/6,200	8,400/8,200	10,900/10,700	13,400/13,200
COP	3.5/3.5	3.5/3.5	3.3/3.3	3.1/3.1	3.5/3.5	3.5/3.5	3.3/3.3	3.1/3.1
Watts	535/520	705/685	970/950	1265/1250	535/520	700/685	970/950	1,265/1,250
Amps	2.4/2.6	3.1/3.4	4.3/4.7	5.8/6.3	2.4/2.6	3.1/3.3	4.3/4.7	5.8/6.3
Weight (Net/Ship)*	96/112	99/115	111/127	121/137	101/117	106/122	116/132	123/139

265V Models	AZ35H07E	AZ35H09E	AZ35H12E	AZ35H15E	AZ55H07E	AZ55H09E	AZ55H12E	AZ55H15E
<b>Capacity</b>								
Cooling BTUH	7,100	9,000	11,700	14,600	7,100	9,000	11,800	14,700
EER (BTU/Watt)	11.8	11.5	10.9	9.6	12.0	11.5	10.9	10.0
Dehumidification (pints/hr.)	1.7	2.7	3.6	4.5	1.7	2.8	3.6	4.8
<b>Features</b>								
CFM, Indoor Fan High	250	260	280	310	240	290	330	350
CFM, Indoor Fan Low	220	230	250	280	220	270	310	330
Vent CFM	40	65	70	70	40	65	70	70
<b>Power/Ratings</b>								
Power Factor	96	94	94	96	96	94	94	96
Sensible Heat Ratio @ 265 Volts	75%	68%	67%	67%	75%	67%	68%	65%
Watts	600	785	1075	1520	590	785	1085	1470
Amperes, F.L.	2.4	3.2	4.4	6.0	2.3	3.2	4.5	5.8
Amperes, L.R.	16.0	18.0	24.0	31.0	16.0	18.0	24.0	31.0
Reverse Cycle Heat BTUH	6,400	8,400	10,900	13,400	6,400	8,400	10,900	13,400
COP	3.5	3.5	3.3	3.1	3.5	3.5	3.3	3.1
Watts	535	700	970	1265	535	705	970	1,265
Amps	2.2	2.8	3.9	5.0	2.2	2.8	3.9	5.0
Weight (Net/Ship)**	96/112	99/115	111/127	121/137	101/117	106/122	116/132	123/139

\*ICR adds 3 pounds to unit weight.



# Built-In "J" Series Units and Heat Pumps

Refrigeration

Models	GE									
	Regular Mount Chassis/Cool						High-Mount Chassis/Cool			
	AJCS06LCA	AJCS08ACA	AJCS10ACA	AJCS09DCA	AJCS10DCA	AJCS12DCA	AJCH08ACA	AJCH10ACA	AJCH10DCA	AJCH12DCA
<b>Capacity</b>										
BTUH-AHAM	6000	8000	9900	8900/8700	9900/9700	11,600/11,400	8000	9900	9900/9700	11,600/11,400
E.E.R.	9.5	9.2	9.2	9.5/9.5	9.2/9.2	9.0/9.0	9.2	9.2	9.2/9.2	9.0/9.0
Dehumidification (pints/hr.)	1.4	2.0	2.7	2.5	2.6	3.2	2.0	2.7	2.6	3.2
<b>Features</b>										
Fan speeds (Cool/Fan Only)	2/2	2/2	2/2	2/2	2/2	2/2	2/2	2/2	2/2	2/2
Airflow (cfm) roomside hi/low	210/180	250/210	250/210	250/210	250/210	265/230	250/210	250/210	250/210	265/230
Air exchange exhaust	●	●	●	●	●	●	●	●	●	●
Variable setting thermostat	●	●	●	●	●	●	●	●	●	●
Filter type	Slide-Out	Slide-Out	Slide-Out	Slide-Out	Slide-Out	Slide-Out	Slide-Out	Slide-Out	Slide-Out	Slide-Out
Rotary compressor	●	●	●	●	●	●	●	●	●	●
<b>Economical/Quiet</b>										
Fan cycle switch	●	●	●	●	●	●	●	●	●	●
<b>Appearance</b>										
Slide-out chassis	●	●	●	●	●	●	●	●	●	●
Installation	Wall	Wall	Wall	Wall	Wall	Wall	Wall	Wall	Wall	Wall
Wall case required	RAB46/47/48	RAB46/47/48	RAB46/47/48	RAB46/47/48	RAB46/47/48	RAB46/47/48	RAB46/47/48	RAB46/47/48	RAB46/47/48	RAB46/47/48
<b>Weights &amp; Dimensions</b>										
Height (in inches) A	← 15-5/8 →						← 15-5/8 →			
Width (in inches) B	← 26 →									
Depth (in inches) C	← 16-7/8 →									
Approx. net weight (lbs.)	62	67	75	69	76	79	67	75	76	79
Approx. shipping weight (lbs.)	70	75	83	77	84	87	76	83	84	87
<b>Power/Ratings</b>										
Voltage	115	115	115	230/208	230/208	230/208	115	115	230/208	230/208
Amps-AHAM	5.7	7.9	9.7	4.2/4.6	4.9/5.3	5.8/5.3	7.9	9.7	4.9/5.3	5.8/6.3
Watts input	630	870	1075	935/915	1075/1055	1290/1265	870	1075	1075/1055	1290/1265
Line cord plug	Parallel	Parallel	Parallel	Tandem	Tandem	Tandem	Parallel	Parallel	Tandem	Tandem
Recommended circuit protection (time delay)	15 Amps	15 Amps	15 Amps	15 Amps	15 Amps	15 Amps	15 Amps	15 Amps	15 Amps	15 Amps

Cooking Products

Microwave Ovens

Models	GE					
	Regular Mount Chassis/Heat/Cool			High-Mount Chassis/Heat/Cool		Regular Mount Chassis/Heat Pumps
	AJES09DCA	AJES10DCA	AJES12DCA	AJEH12DCA	AJHS08DCA	AJHS10DCA
<b>Capacity</b>						
BTUH-AHAM	8900/8700	9900/9700	11,600/11,400	11,600/11,400	8000/7800	9800/9600
E.E.R.	9.5/9.5	9.2/9.2	9.0/9.0	9.0/9.0	9.2/9.2	9.2/9.2
Dehumidification (pints/hr.)	2.5	2.6	3.2	3.2	2.0	2.6
<b>Features</b>						
Fan speeds (Heating/Cooling)	2/2	2/2	2/2	2/2	2/2	2/2
Fan Only speeds	2	2	2	2	2	2
Airflow (cfm) roomside hi/low	250/210	250/210	265/230	265/230	250/210	250/210
Air exchange exhaust	●	●	●	●	●	●
Variable setting thermostat	●	●	●	●	●	●
Filter type	Slide-Out	Slide-Out	Slide-Out	Slide-Out	Slide-Out	Slide-Out
Rotary compressor	●	●	●	●	●	●
<b>Economical/Quiet</b>						
Fan cycle switch	●	●	●	●	●	●
<b>Appearance</b>						
Slide-out chassis	●	●	●	●	●	●
Wall case required	RAB46/47/48	RAB46/47/48	RAB46/47/48	RAB46/47/48	RAB46/47/48	RAB46/47/48
Installation	Wall	Wall	Wall	Wall	Wall	Wall
Window installation kit	Optional	Optional	Optional	Optional	Optional	Optional
<b>Weights &amp; Dimensions</b>						
Height (in inches) A	← 15-5/8 →					
Width (in inches) B	← 26 →					
Depth (in inches) C	← 16-7/8 →					
Approx. net weight (lbs.)	70	77	80	80	71	81
Approx. shipping weight (lbs.)	78	85	88	88	80	91
<b>Power/Ratings</b>						
Voltage	230/208	230/208	230/208	230/208	230/208	230/208
Amps-AHAM	4.2/4.6	4.9/5.3	5.8/6.3	5.8/6.3	4.0/4.3	4.9/5.3
Watts input	935/915	1075/1055	1290/1265	1290/1265	870/850	1065/1045
Line cord plug	Perpendicular	Perpendicular	Perpendicular	Perpendicular	Perpendicular	Perpendicular
Recommended circuit protection (time delay)	20 Amps	20 Amps	20 Amps	20 Amps	20 Amps	20 Amps
<b>Reverse Cycle Heating</b>						
BTUH-AHAM					7700/7500	9700/9500
C.O.P. @ 47°F					3.0	3.0
Amps-AHAM					3.4/3.7	4.3/4.7
Watts input					750/730	950/930
<b>Electric Resistance Heating</b>						
BTUH-AHAM	11,600/9,480	11,600/9,480	11,600/9,480	11,600/9,480	11,600/9,480	11,600/9,480
Amps (Max. connected load)	16.0	16.0	16.0	16.0	16.0	16.0
Watts output	3400/2780	3400/2780	3400/2780	3400/2780	3400/2780	3400/2780

Dishwashers

Clothes Care

Water Systems

Air Conditioning

All cooling with electric heat models and heat pumps are corrosion treated. Specifications and design subject to change without notice.

# Window/Built-In “J” Series Units and Heat Pumps

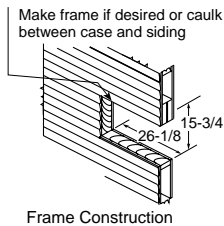
GE® “J” Series							
Features	Heat/Cool Units			Heat Pump	Cooling Only Units		
	AJES06LSA*	AJES08ASA*	AJES10DSA*	AJHS08ASA*	AJCS06LZA	AJCS08AZA	AJCS10AZA
Cooling BTUH-AHAM	6,000	8,000	9,900/9,700	8,000	6,000	8,000	9,900
Voltage	115	115	230/208	115	115	115	115
E.E.R. (BTUH/Watt)	9.5	9.2	9.2/9.2	9.2	9.5	9.2	9.2
Rated cooling amps - AHAM	5.7	7.9	4.9/5.3	7.9	5.7	7.9	9.7
Cooling watts	630	870	1,075/1,055	870	630	870	1,075
Plug type (see below)	Parallel	Parallel	Perpendicular	Parallel	Parallel	Parallel	Parallel
Line cord plug recommended circuit protection (time delay)	15 Amps	15 Amps	20 Amps	15 Amps	15 Amps	15 Amps	15 Amps
Dehumidification (pints/hr.)	1.4	2.0	2.6	2.0	1.4	2.0	2.7
CFM (high shown )	210	250	250	230	210	250	250
Air exchange exhaust	●	●	●	●	●	●	●
Fan speeds: Cooling/Heating	2/2	2/2	2/2	2/2	2	2	2
Fan Only position	2	2	2	2	2	2	2
Fan cycle switch	●	●	●	●	●	●	●
Thermostat	Variable Setting	Variable Setting	Variable Setting	Variable Setting	Variable Setting	Variable Setting	Variable Setting
Filter type	Slide-Out	Slide-Out	Slide-Out	Slide-Out	Slide-Out	Slide-Out	Slide-Out
Chassis	Slide-Out	Slide-Out	Slide-Out	Slide-Out	Slide-Out	Slide-Out	Slide-Out
Compressor type	Rotary	Rotary	Rotary	Rotary	Rotary	Rotary	Rotary
Window mounting	Standard	Standard	Standard	Standard	EZ Mount	EZ Mount	EZ Mount
Window opening height (min. in inches)	17	17	17	17	17	17	17
Window opening width (min. in inches)	31	31	31	31	31	31	31
Window opening width (max. in inches)	42	42	42	42	41	41	41
<b>Case Dimensions</b>							
Height (in inches) A	15-5/8	15-5/8	15-5/8	15-5/8	15-5/8	15-5/8	15-5/8
Width (in inches) B	26	26	26	26	26	26	26
Depth (in inches) C	16-7/8	16-7/8	16-7/8	16-7/8	16-7/8	16-7/8	16-7/8
Depth to louvers (in inches) D	None	None	None	None	None	None	None
Net weight (lbs.)	86	91	100	94	85	90	98
Approx. shipping weight (lbs.)	95	100	108	102	93	99	106
<b>Heating Capacity - Reverse Cycle</b>							
BTUH - AHAM - H.P.				7,700			
Rated Heating Amps - AHAM				6.8			
COP @ 47°				3.0			
<b>Heating Capacity - Electric</b>							
BTUH - AHAM - I <sup>2</sup> R	4,100	4,100	11,600/9,480	4,100			
Rating Heating Amps - AHAM	12.0	12.0	15.5/14.0	12.0			
Total Heating Load Watts	1,200	1,200	3,400/2,780	1,200			

\*These units are not intended to be the primary source of heat.

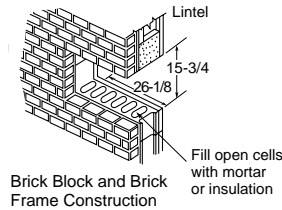
## Built-In Room Air Conditioners Wall Opening for RAB46/47/48 Cases

A finished opening of 26-1/8" x 15-3/4", clear of intrusions, is required. Keep clearance of 4" from side walls. Brick veneer or frame walls should have wood studding surrounding case to provide firm anchoring with screws. Case can be fastened directly to brick or block walls with screws sunk in lead expansion shields.

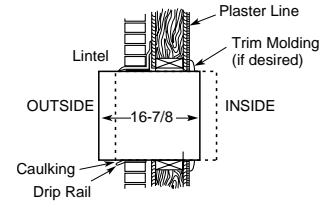
**Note:** Units should be caulked on all four sides of case to the building exterior to assure building integrity.



Frame Construction



Brick Block and Brick Frame Construction

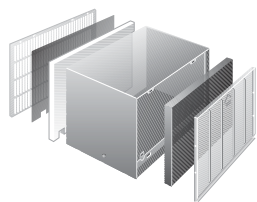


Flexible Mounting Position

**Two Wall Cases for Tenant Option Installation**  
When the air conditioner is offered as a tenant option, these wall cases provide protection against outside elements.

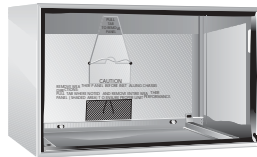
**RAB47**—includes wall case, exterior grille and steel closure panels.

**RAB48**—includes wall case, exterior grille, steel closure panel and two layers of insulation.



### Standard Wall Case RAB46

Solid-sided wall case fabricated of galvanized steel with baked enamel finish. Welded areas are coated with a sealing compound to help resist rust and corrosion. Polymer gasket surrounds opening to assure tight weather seal. Aluminum grille (RAG13) is included. Panels on interior and between case and grille provide weather protection prior to installation of chassis.



**Parallel**  
115V.  
15 Amp.

**Perpendicular**  
230/208V.  
20 Amp.

**Tandem**  
230/208V.  
15 Amp.

**Large Tandem**  
230/208V.  
30 Amp.

### Wall Outlets

All wiring, including installation of receptacle, must be made in accordance with local electrical codes and regulations. Electrical outlet should be in reach of line cord.

**Note:** Aluminum wiring may pose special problems—consult a qualified electrician.

**Note:** Some models may not be available in your area due to local legislation. Contact your local dealer.

**Note:** When installing slide out chassis units in through-the-wall applications, keep louvers free. Do not restrict air flow areas. Fixed chassis units are not suitable for through-the-wall applications.

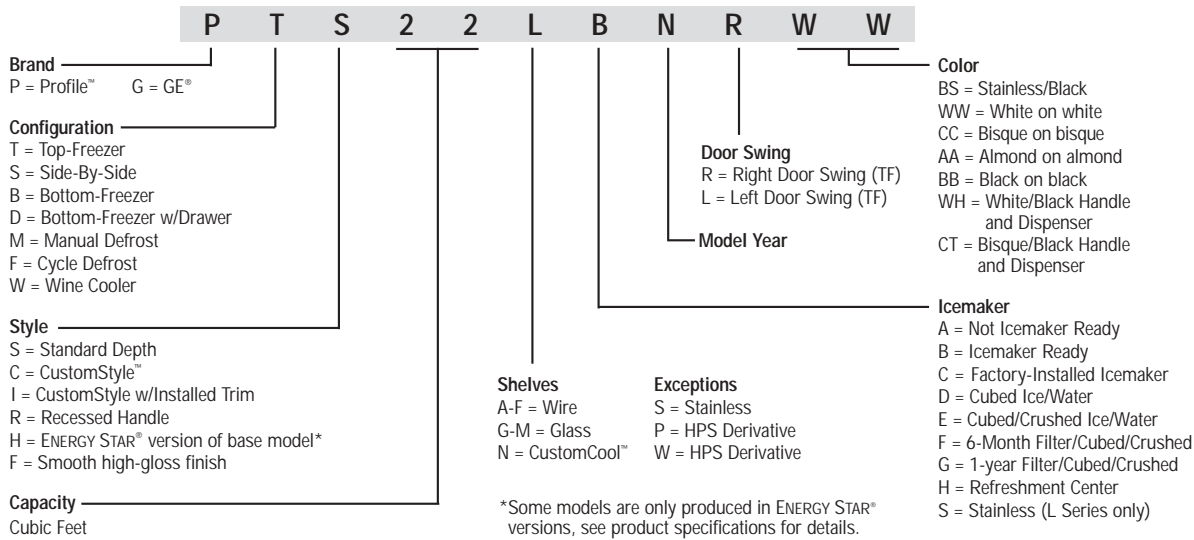


Listed by  
Underwriters  
Laboratories

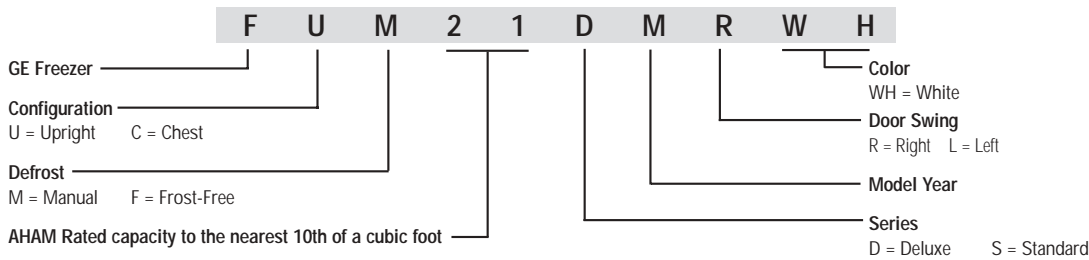


Total capacity and E.E.R. ratings are calculated based on the Association of Home Appliance Manufacturers' standards.

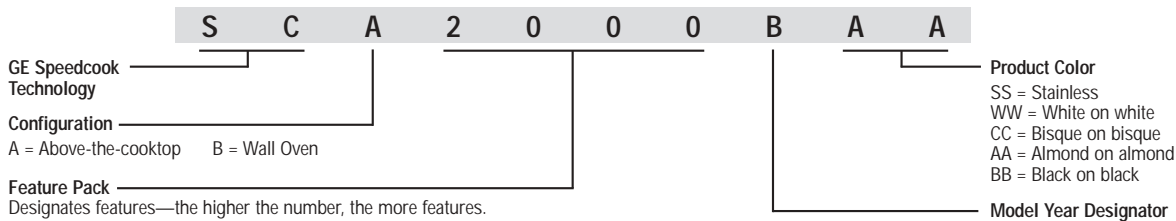
## Reading Refrigerator Nomenclature



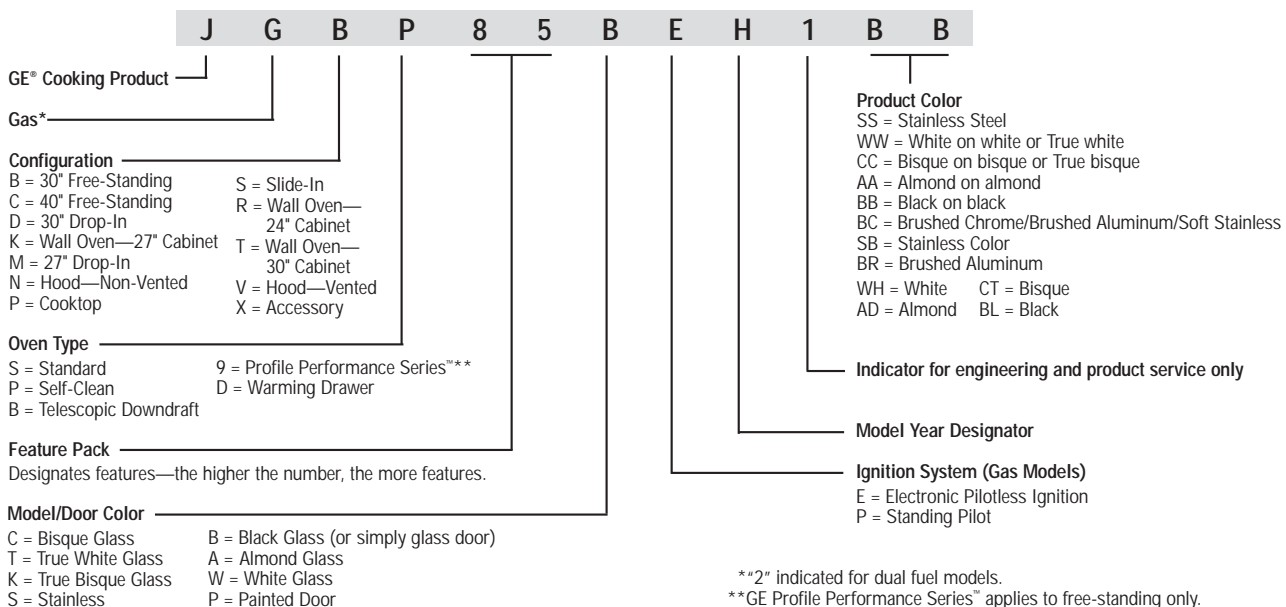
## Reading Freezer Nomenclature



## Reading Advantium™ Oven Nomenclature

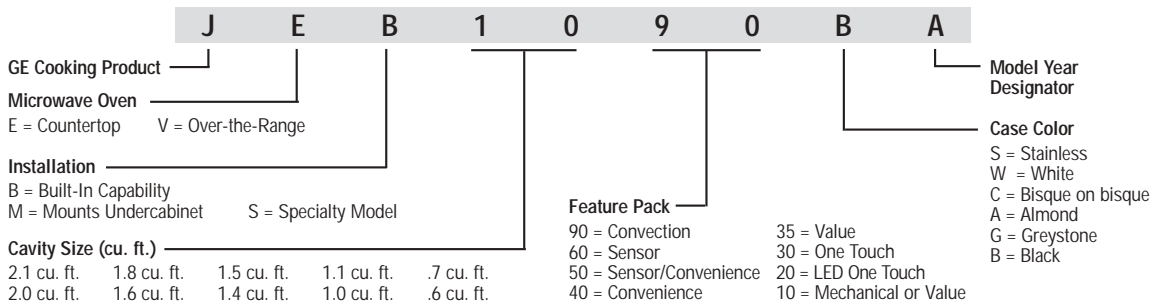


## Reading Cooking Nomenclature

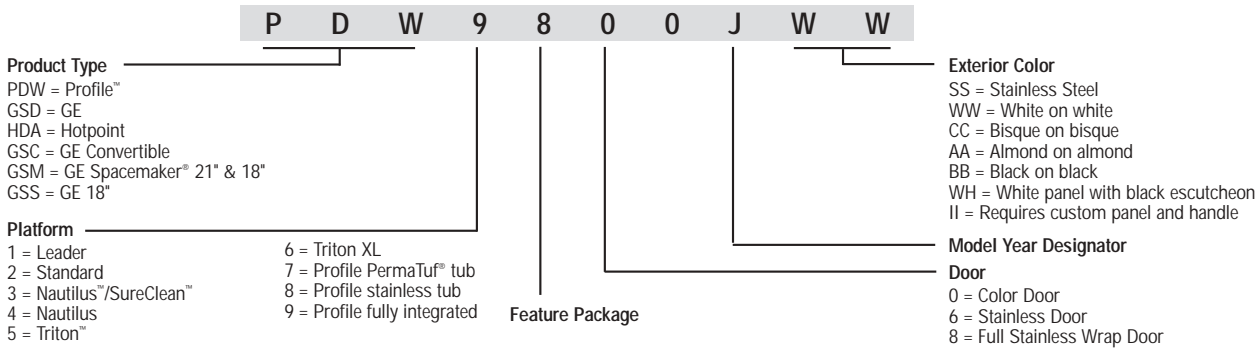




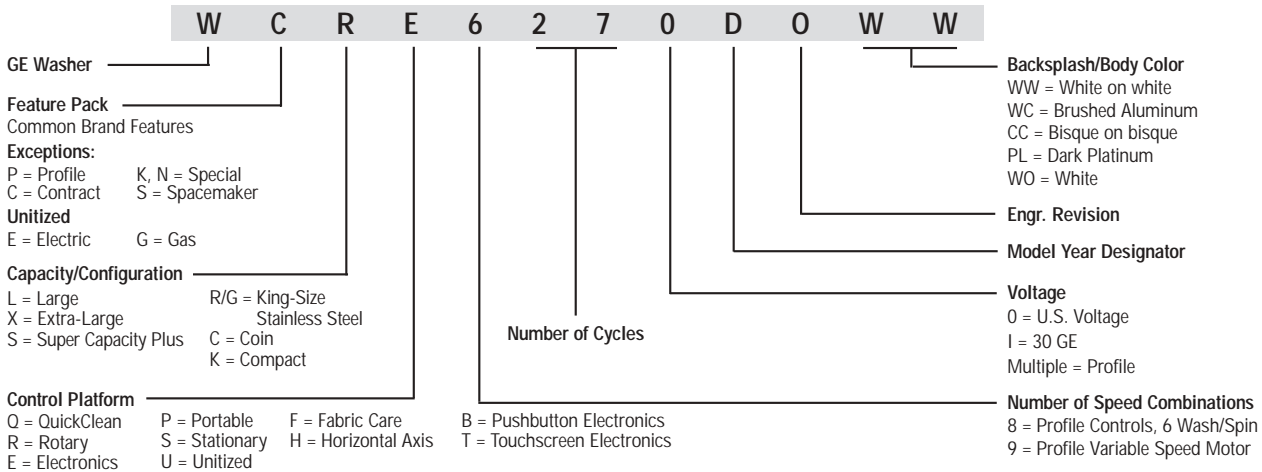
# Reading Microwave Nomenclature



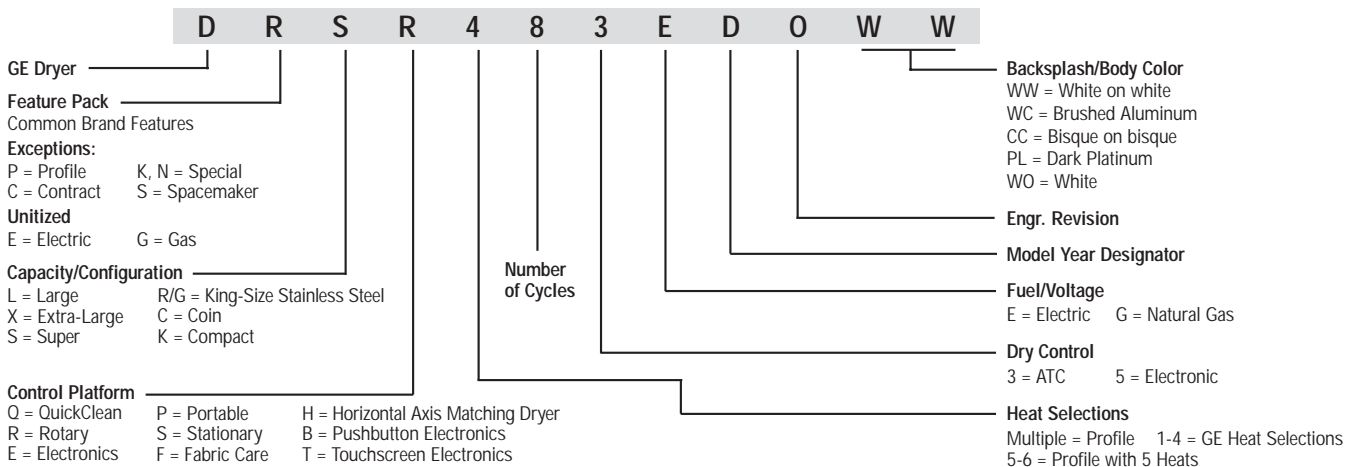
# Reading Dishwasher Nomenclature



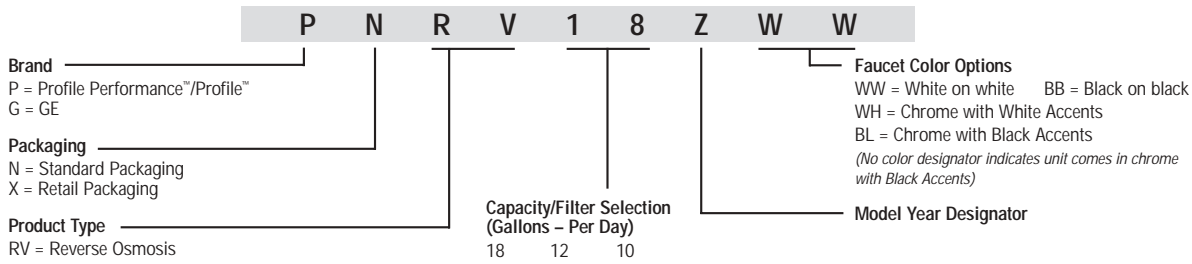
# Reading Washer Nomenclature



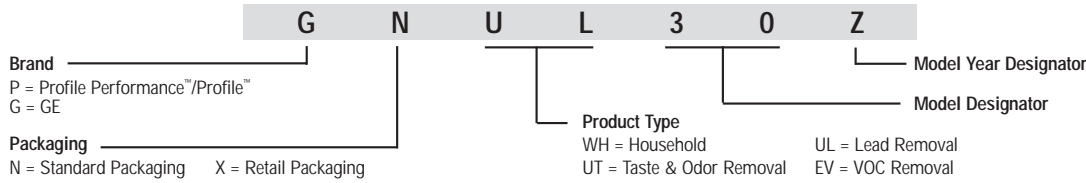
# Reading Dryer Nomenclature



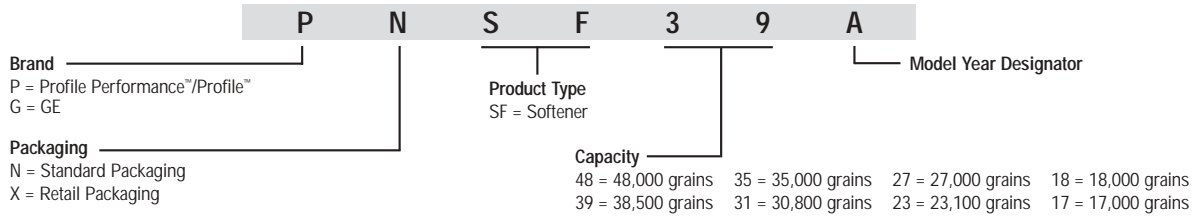
## Reading Reverse Osmosis System Nomenclature



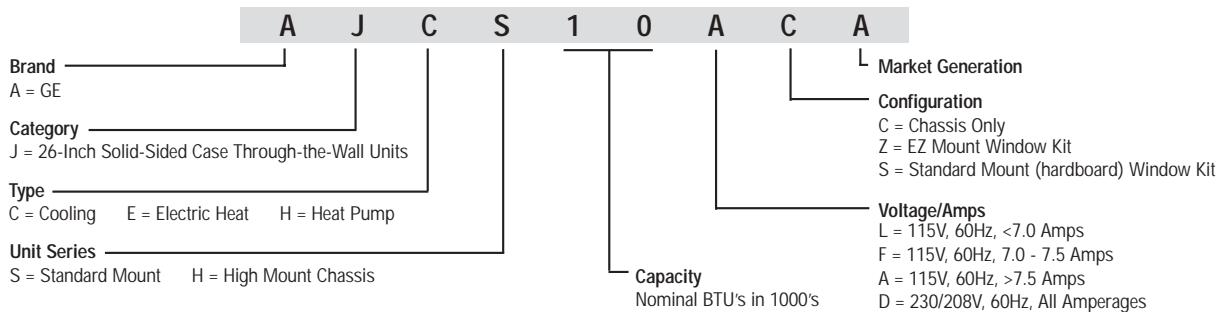
## Reading Water Filtration System Nomenclature



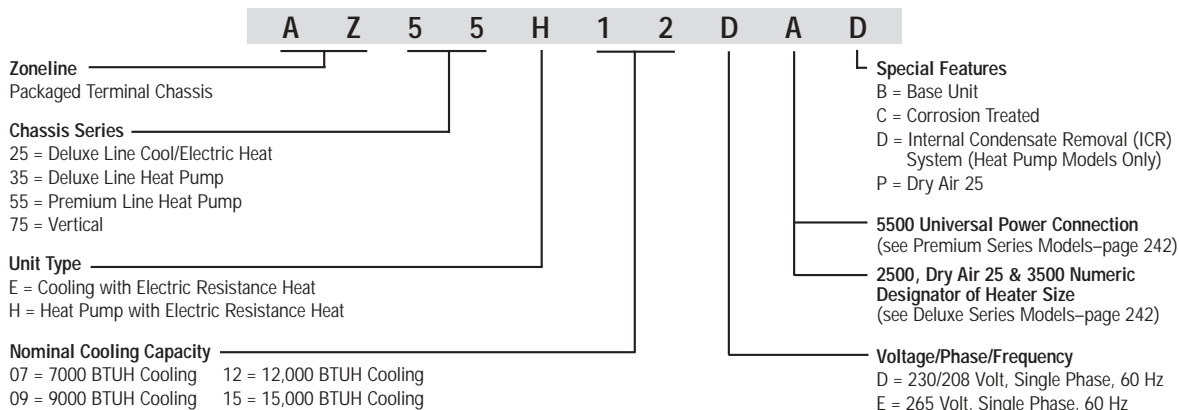
## Reading Water Softening System Nomenclature



## Reading Built-In Air Conditioners Nomenclature



## Reading Zoneline® Chassis Nomenclature



# Making builders' lives easier.



- An industry-leading company committed to customer satisfaction.
- America's #1 preferred appliance brand.\*
- A nationwide network of sales professionals and service technicians wholly dedicated to the builder community.

\*GE is the appliance brand most often mentioned among the brands rated as offering the best products and services in America. Source: Louis Harris Poll 2002



- 24-hour accessibility through award-winning technology
  - GECustomerNet.com
  - GESelectionCenter.com
  - GEAppliances.com
- GE Answer Center® saves you time by providing answers on product features.



## A Century of Quality and Innovation

For more than a century, GE has been committed to producing innovative products that change the way people live. The result of thorough research and rigorous testing, GE appliances are designed for years of dependable performance. Today, the GE tradition of quality and innovation continues.



### GE Appliances

GE Consumer Products  
General Electric Company  
Louisville, Kentucky 40225  
GEAppliances.com

Before purchasing an appliance, read important information about its estimated annual energy consumption or energy efficiency rating that is available from your retailer or [GEAppliances.com](http://GEAppliances.com)

GE has a policy of continuous improvement of its products and reserves the right to change materials and specifications without notice.

© 2003 General Electric Company  
Pub. No. 24-C443 PC35489