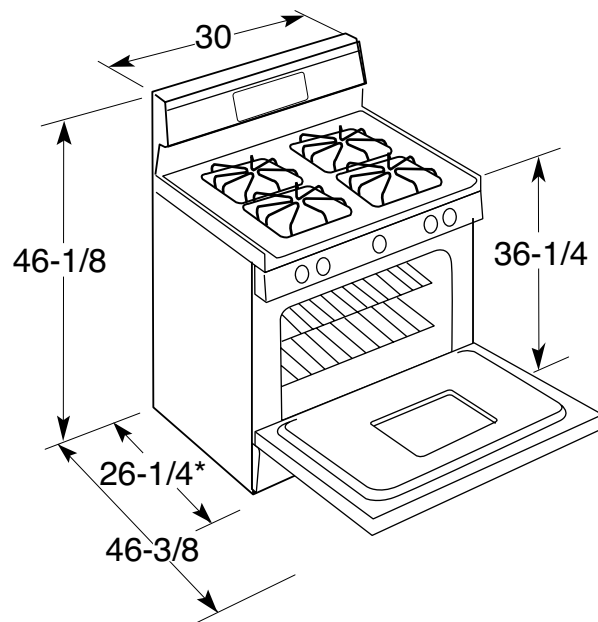


HOTPOINT®

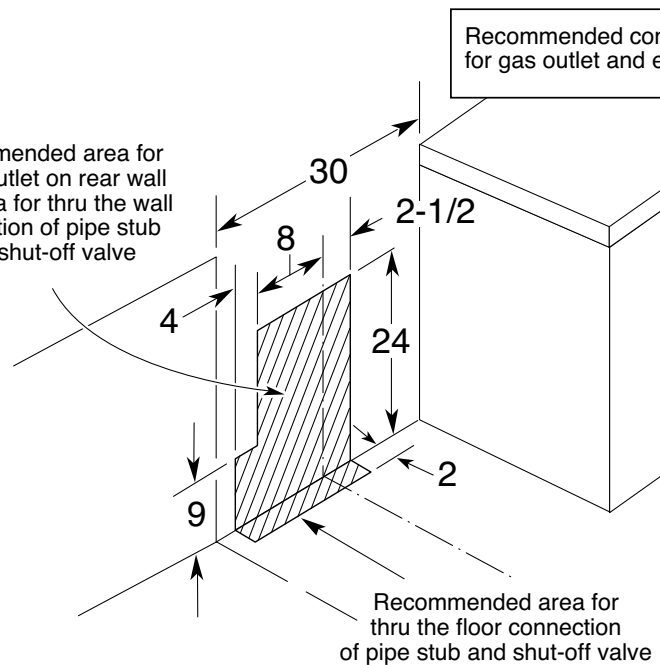
RGB790DEP – Hotpoint 30" Free-Standing Gas Range

Dimensions (in inches)



*Depth from wall to front of closed oven door.

Recommended area for 120V outlet on rear wall and area for thru the wall connection of pipe stub and shut-off valve



Installation Information: Before installing, consult installation instructions packed with product for current dimensional data.

Optional gas range accessory drip pans:

(Available at additional cost)
To order these accessory drip pans, call toll-free 800-626-2002.

Specification Created 12/08

430181

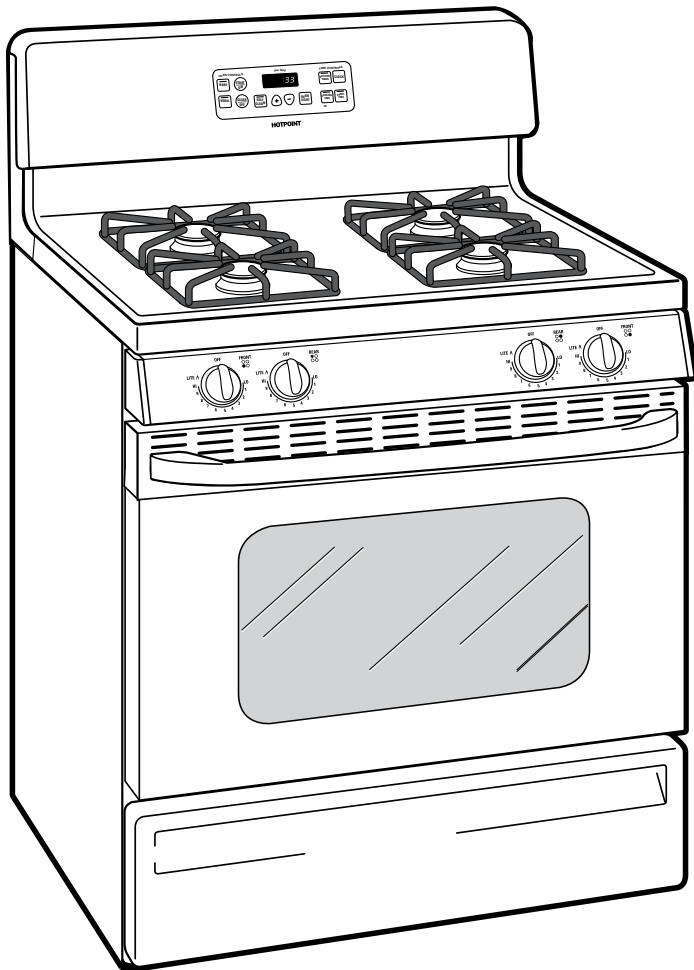


All Hotpoint ranges are equipped with an Anti-Tip device. The installation of this device is an important, required step in the installation of the range.



HOTPOINT®

RGB790DEP – Hotpoint 30" Free-Standing Gas Range



Features and Benefits

- Self-Clean Oven - Conveniently cleans the oven cavity without the need for scrubbing
- Extra-Large Oven Capacity - Provides a large oven interior ideal for cooking more items at once
- Sealed Cooktop Burners - Eliminate the space between the burners and the cooktop to help contain spills and boil over liquids, ensuring easy cleanup
- Performance Plus Burner - Provides a maximum output of 12,000 BTUs for fast heat-up and boiling
- Simmer Burner - Provides low, even heat distribution for delicate foods and sauces
- All Purpose Burners - Deliver a wide range of heat output ideal for most cooking requirements
- Two removable oven racks - Make room for up to six plates or three 9" x 13" casserole dishes
- Porcelain Upswept Cooktop - Features raised edges to help contain spills and make clean-up easy
- Big ClearView™ Window - An extra large clear window makes monitoring the progress of food easy
- Heavy Steel Grates - Constructed from quality steel for long-lasting performance and durability
- EasySet III Controls - Features a smooth glass design that's easy-to-operate and easy-to-clean
- Model RGB790DEPWW – White on white
- Model RGB790DEPB – Black on black