



# DISPOSALL® Food Waste Disposer

**SAFETY INFORMATION** .....3

**USING THE DISPOSER**  
Continuous Feed .....5

**CARE AND CLEANING** .....6

**INSTALLATION INSTRUCTIONS**  
Preparation .....7  
Components and Installation .....8  
Installation of Sink Flange .....8  
Dishwasher Connection.....9  
Attach the Discharge Elbow.....9  
Connect Disposer to Sink Flange .....10  
Dimensions ..... 11  
Some Typical Installations ..... 11

**TROUBLESHOOTING** .....12

**LIMITED WARRANTY** .....14

**CONSUMER SUPPORT** .....16

**OWNER'S MANUAL  
AND INSTALLATION  
INSTRUCTIONS**

- GFC320
- GFC325
- GFC520
- GFC525
- GFC720
- GFC1020

**ENGLISH/FRANÇAIS/  
ESPAÑOL**

Write the model and serial numbers here:

Model # \_\_\_\_\_

Serial # \_\_\_\_\_

You can find them on a label on the bottom of the disposer.

## **THANK YOU FOR MAKING GE APPLIANCES A PART OF YOUR HOME.**

---

Whether you grew up with GE Appliances, or this is your first, we're happy to have you in the family.

We take pride in the craftsmanship, innovation and design that goes into every GE Appliances product, and we think you will too. Among other things, registration of your appliance ensures that we can deliver important product information and warranty details when you need them.

Register your GE appliance now online. Helpful websites and phone numbers are available in the Consumer Support section of this Owner's Manual. You may also mail in the pre-printed registration card included in the packing material.



# IMPORTANT SAFETY INFORMATION

## READ ALL INSTRUCTIONS BEFORE USING THE APPLIANCE

**▲WARNING** For your safety, the information in this manual must be followed to minimize the risk of fire, explosion, electric shock, and to prevent property damage, personal injury, or death.

### **▲WARNING** WHEN USING YOUR ELECTRICAL APPLIANCES, BASIC SAFETY PRECAUTIONS SHOULD BE FOLLOWED, INCLUDING THE FOLLOWING:

- Use this appliance only for its intended purpose as described in this Owner's Manual.
- Read all the instructions before using the appliance.
- To reduce the risk of injury, close supervision is required when a disposer is used near children.
- Do not put fingers or hands into a waste disposer.
- Turn the power switch to the OFF position before attempting to clear a jam or remove an object from the disposer.
- When attempting to loosen a jam in a waste disposer, use a long wooden object such as a wooden spoon or the wooden handle of a broom or mop.
- When attempting to remove objects from a waste disposer, use long-handled tongs or pliers. If the disposer is magnetically actuated, use only nonmagnetic tools.
- To reduce the risk of injury by materials that may be expelled by a waste disposer, do not put the following into a disposer:
  - a. Clam or oyster shells
  - b. Caustic drain cleaners or similar products
  - c. Glass, china or plastic
  - d. Large whole bones
  - e. Metal, such as bottle caps, tin cans, utensils or aluminum foil
  - f. Hot grease or other hot liquids
  - g. Whole corn husks
- When not operating a disposer, leave the drain stopper in place to reduce the risk of objects falling into the disposer.
- For proper grounding instructions, see the **CONNECTING ELECTRICITY** portion of this manual.

## CONNECTING ELECTRICITY

If you are not familiar with electrical power and procedures, call a qualified electrician.

**▲WARNING** Improper connection of the equipment-grounding conductor can result in a risk of electric shock. Check with a qualified electrician or serviceman if you are in doubt as to whether the appliance is properly grounded. Do not modify the plug provided with the appliance if it will not fit the outlet; have a proper outlet installed by a qualified electrician.

### **For Models Equipped with a Grounded Cord:**

**GROUNDING INSTRUCTIONS:** This disposer must be grounded to reduce the risk of electric shock in the event of a malfunction or breakdown. Grounding provides a path of least resistance for electric current. This disposer is equipped with a cord having an equipment-grounding conductor and a grounding plug. The plug must be plugged into an outlet that is properly installed and grounded in accordance with all local codes and ordinances.

# READ AND SAVE THESE INSTRUCTIONS

# IMPORTANT SAFETY INFORMATION

## READ ALL INSTRUCTIONS BEFORE USING THE APPLIANCE

### CONNECTING ELECTRICITY (Cont)

If you are not familiar with electrical power and procedures, call a qualified electrician.

The power cord and/or connections must comply with the National Electrical Code, Section 422 and/or local codes and ordinances.

#### For Models Not Equipped with a Cord:

If your disposer does not come equipped with a cord, you can connect it in two ways:

1. Attach a power cord, minimum 18" in length and not to exceed 36" in length. Use GEA Part Number PM3X215.

or

2. Wire the disposer directly into the house current.

#### To Attach a Power Cord:

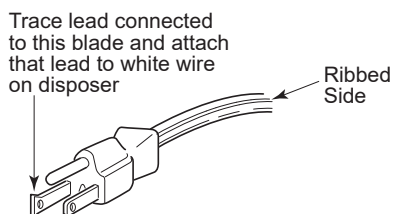
**GROUNDING INSTRUCTIONS:** This disposer must be grounded to reduce the risk of electric shock in the event of a malfunction or breakdown. Grounding provides a path of least resistance for electric current. This disposer is equipped with a cord having an equipment-grounding conductor and a grounding plug. The plug must be plugged into an outlet that is properly installed and grounded in accordance with all local codes and ordinances.

**⚠ WARNING** Improper connection of the equipment-grounding conductor can result in a risk of electric shock. Check with a qualified electrician or serviceman if you are in doubt as to whether the appliance is properly grounded.

**NOTE:** Disconnect electric power to disposer circuit before installation. Turn the circuit breaker to the OFF position or remove the fuse.

- A. Connect the disposer to 110-120 Volt, 60 Hz AC current only.

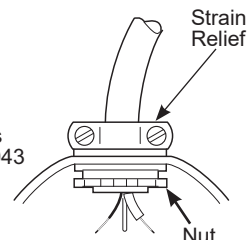
- B. If a plug-in cord is used, use a three prong plug. Ground wire should be attached to the ground screw in the bottom of the disposer (end bell).



**NOTE:** When viewing face of electrical plug with grounding pin at top, the larger left blade is connected to the identified wire.

- C. Use a cable clamp strain relief connector where power cord enters the disposer.

Heyco Box Connectors Part No. 3043



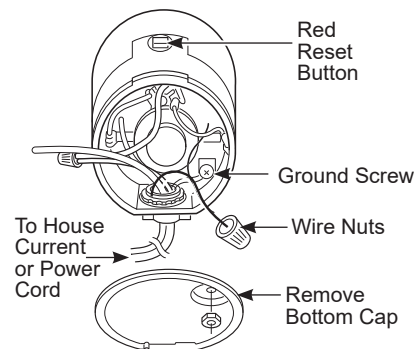
#### To Wire Your Disposer Directly into the House Current:

**GROUNDING INSTRUCTIONS:** This disposer must be connected to a grounded, metal, permanent wiring system; or an equipment-grounding conductor must be run with the circuit conductors and connected to the equipment-grounding terminal or lead on the appliance.

- A. If you use BX cable:

1. These products are designed for household use.
2. Connect white wire to white lead of disposer with a wire nut. Connect black wire to black lead of disposer with a wire nut. Connect bare ground wire to the ground screw. The ground wire should be clamped and held by a strain relief.
3. Do not use a rigid conduit for the wiring connection.
4. A dedicated acceptable motor switch, with the off position marked, shall be provided for this disposer at the time of installation. The switch shall be mounted in sight of the disposer or the sink opening for the disposer.

If BX cable is not used, provide a separate ground wire to nearest reliable ground, using the screw in the end bell for the ground wire.



- B. If your power supply does not include a ground wire, you must provide one unless metal cable is used. Attach a copper wire securely to disposer ground screw and attach other end of wire to a reliable ground. Use only UL approved ground clamp. If plastic pipe is used in your home, a qualified electrician should install a proper ground.

## READ AND SAVE THESE INSTRUCTIONS

# Using the Disposer

---

**READ ALL SAFETY INSTRUCTIONS ON PAGES 3 AND 4 BEFORE USING THIS DISPOSER.**

This disposer uses anti-jam swivel impellers that make a clicking sound as they swing into place. This indicates normal operation.

## Continuous Feed

- A.** Remove the sink stopper and turn on a medium flow of cold water.
- B.** Turn the switch to ON.
- C.** Scrape in food waste. To speed up food waste disposal, cut or break up large bones, rinds and cobs. Large bones and fibrous husks require considerable grinding time and are more easily thrown away with other trash. Do not be alarmed that the disposer slows down while grinding. The disposer is actually increasing torque (grinding power) and is operating under normal conditions.
- D.** Before turning the disposer off, let the water and the disposer run for approximately 25 seconds after shredding stops. This assures that all waste is thoroughly flushed through the trap and drain.
- E.** Do not use hot water while running the disposer. Cold water will keep food waste and fats solid so they can be flushed down the drain.

---

## Helpful Hints

- A.** Be sure the disposer is empty before using the dishwasher so it can drain properly.
- B.** You may want to leave the stopper in the drain when not in use to prevent utensils and foreign objects from falling into the disposer.
- C.** The disposer is ruggedly built to give you years and years of trouble-free service. It will handle all normal food wastes - BUT it will not grind and dispose such items as tin cans, bottles and bottle caps, glass, china, leather, cloth, crockery, rubber, string, feathers, or clam or oyster shells. These are waste materials and belong in the trash can or trash compactor.
- D. TO SPEED UP FOOD WASTE DISPOSAL:** Cut or break up large bones, melon rinds, grapefruit skins and corn cobs. Items such as large bones, fibrous husks like lima bean pods and corn husks, require considerable cutting time. For this reason, you may prefer to place them in the trash can or trash compactor.

## Care and Cleaning

---

**THE MOTOR IS PERMANENTLY LUBRICATED FOR LIFE. DO NOT ATTEMPT TO LUBRICATE YOUR DISPOSER.** The disposer is self cleaning and scours itself with each use.

- NEVER put lye or chemical cleaners into the disposer, as they cause serious corrosion of metal parts.
- Your disposer is equipped with a removable splash guard for ease of cleaning or replacement. Remove the splash guard by pulling it out from the top. To replace, insert into the sink flange and push down until it is properly seated.
- If an odor develops, run orange or lemon rinds through the disposer. A dozen ice cubes sprinkled with a little household scouring powder will also work.

# Installation Instructions

# Disposer

Questions? Call 833-4BODEWELL (833-426-3393) or visit our Website at: [GEAppliances.com](http://GEAppliances.com)  
In Canada, call 1.800.561.3344 or visit our Website at: [GEAppliances.ca](http://GEAppliances.ca)

## BEFORE YOU BEGIN

Read these instructions completely and carefully.

## FOR YOUR SAFETY

Read and observe all **WARNINGS** and **CAUTIONS** shown throughout these instructions.

While performing installations described in this booklet, gloves and safety glasses or goggles should be worn.

**IMPORTANT** – Observe all governing codes and ordinances.

- Save these instructions for local inspector's use.
- **Note to Installer** – Be sure to leave these instructions with the Consumer.
- **Note to Consumer** – Keep these instructions for future reference.
- **Skill level** – Installation of this appliance requires basic mechanical skills.
- **Completion time**—1 hour
- Proper installation is the responsibility of the installer.
- Product failure due to improper installation is not covered under the Warranty.

## ⚠ WARNING

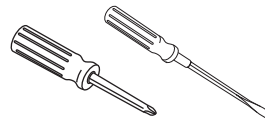
- **FOR PERSONAL SAFETY:** Remove house fuse or open circuit breaker before beginning installation. Do not use an extension cord or adapter plug with this appliance.
- **FOR PERSONAL SAFETY:** Do not position your head or body under disposer; unit could fall during removal or installation.
- The improper connection of the equipment grounding conductor can result in a risk of electric shock. Check with a qualified electrician or service representative if you are in doubt that the appliance is properly grounded.
- If house wiring is not 2-wire with ground, a ground must be provided by the installer. When house wiring is aluminum, be sure to use UL-Listed anti-oxidant compound and aluminum-to-copper connectors.

## PREPARATION

1. Disconnect electrical power supply to disposer.
2. Remove old disposer or sink flange assembly.
3. Inspect drain line. If it is heavily coated with hardened grease and accumulations, rout out with a plumber's snake.
4. Remove old sealing materials and gasketing from sink opening, both top and bottom.

**NOTE:** Top and bottom of sink surfaces must be free of any materials to prevent leaks.

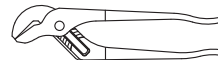
## WHAT YOU WILL NEED



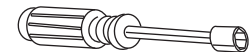
- Phillips and flat blade screwdriver



- Hammer



- Channel lock pliers, slip joint



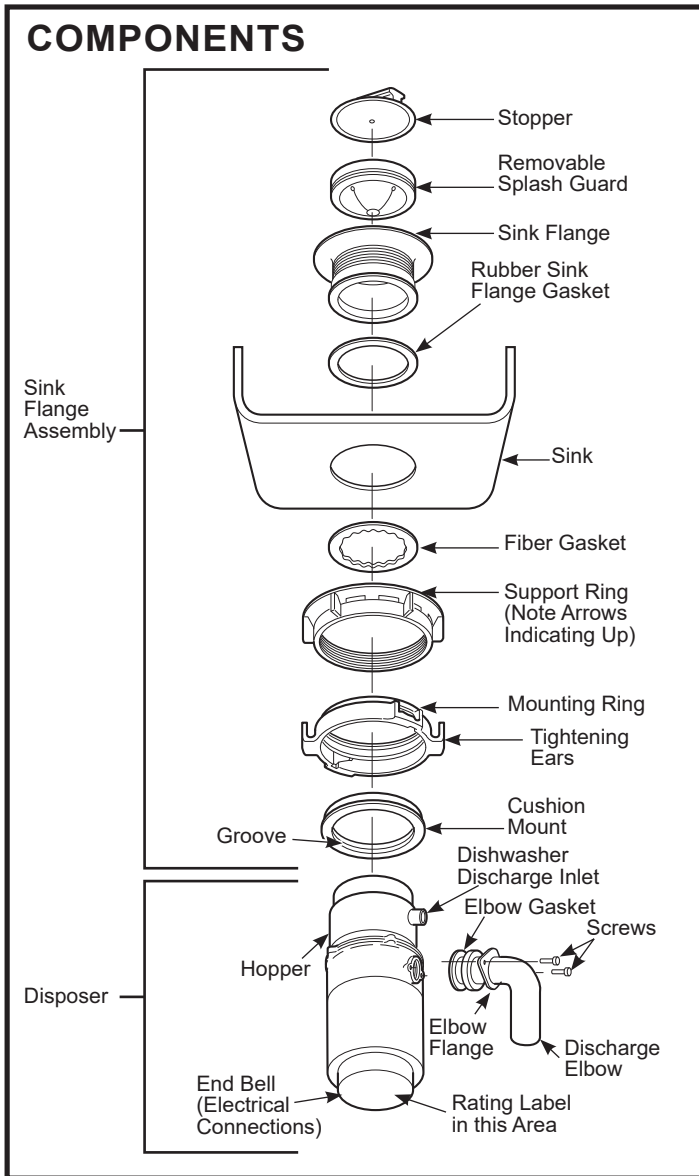
- Nut Driver

## ADDITIONAL MATERIALS YOU MAY NEED

- Steel punch or wooden dowel
- Petroleum jelly or liquid soap
- Hose clamp
- Dishwasher drain connector
- Adjustable pipe wrench
- Plumber's putty (for cast sinks)
- Stepped rubber drain adapter
- Wire nuts
- Cable connector
- Flexible drain pipe
- Power cord kit (Part No. PM3X215)

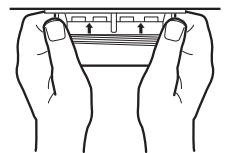
# Installation Instructions

## COMPONENTS AND INSTALLATION



**NOTE:** Pay close attention to the order of the sink flange parts, as they have been correctly assembled by the factory.

- Disassemble the sink flange assembly from the disposer by turning the mount ring to the left (clockwise) and removing it.
- Raise the mount ring toward the top of the sink flange. Remove the cushion mount and the mount ring. You may want to practice installing the cushion mount at this point before you are under the sink.
- Unscrew the support ring from the sink flange and remove the fiber gasket. You are now left with the sink flange and the rubber gasket.
- The rubber gasket is used instead of plumbers putty with stainless steel sinks. Some cast iron sinks will require putty.**
- If no putty is used, insert the sink flange through the rubber gasket into the sink opening. Do not turn the flange once it is seated.
- If you use putty instead of the gasket, form a ring around the underside of the sink flange. Insert the flange into the sink opening, press down hard to squeeze out excess putty. For under the sink, trim off excess putty flush with the bottom edge of the sink opening.
- From underneath the sink, slip the fiber gasket onto the exposed sink flange. With arrows pointing up, screw the support ring onto the sink flange and hand-tighten until the sink flange will not move.



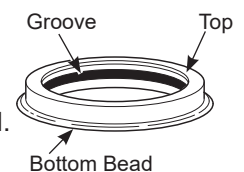
Hand-tighten sink flange

At this point you may want to insert the stopper in the sink and fill with water to check the sink flange seal and insure there are no leaks.

- Place the mount ring over the sink flange and hold in place while installing the cushion mount (large side down). Make sure the groove on the inside of the cushion mount fits over the lip on the sink flange, similar to putting the lid on a plastic container. Run your fingers around the entire cushion mount with slight pressure. Do not press too hard. When the cushion mount is properly seated, the mount ring can be pulled downward over the cushion mount and will be free to turn.

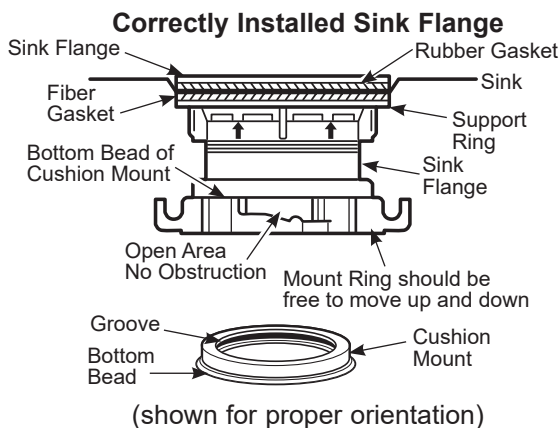


Cushion Mount Detail



### INSTALLATION OF SINK FLANGE

(Read completely before starting.)





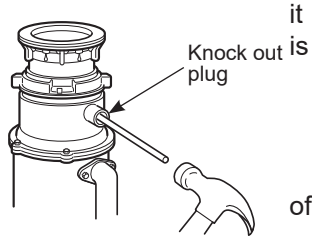
# Installation Instructions

## DISHWASHER CONNECTION (IF REQUIRED)

If you are connecting to a dishwasher, complete the following step. If a dishwasher is not to be connected, go to "Attaching the Discharge Elbow" below.

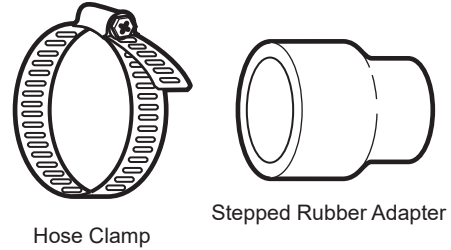
### 1 KNOCK OUT PLUG

Using a blunt instrument (steel punch or wooden dowel), knock out the entire plug. Do not use a screwdriver or sharp instrument. When knockout plug falls into disposer, you may remove it or simply grind it up when the disposer is used. This will not damage the disposer in any way, but may take some time to grind, over the course of several uses.



### 2 CONNECT HOSE

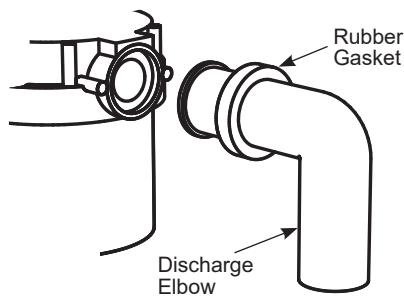
Connect the dishwasher hose using a hose clamp. If the hose size is different, you will need a stepped rubber adapter.



## ATTACH THE DISCHARGE ELBOW

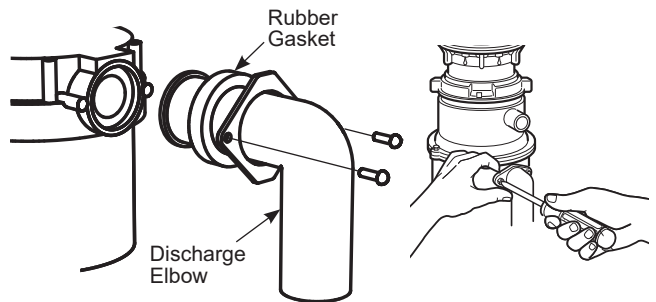
### 1 ATTACH RUBBER GASKET

Slide rubber gasket over drain pipe.



### 2 CONNECT DISCHARGE ELBOW\*

Slide bracket over discharge elbow and connect to the disposer.\*\* Make sure all plumbing connections are tight.



\*Discharge elbow must be installed by a professional

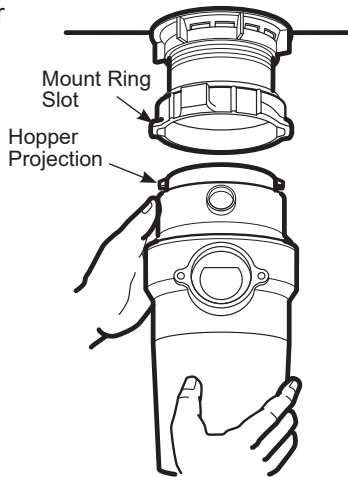
\*\*Some installations (see page 11 for example) may require the use of a flexible drain pipe.

# Installation Instructions

## CONNECT DISPOSER TO SINK FLANGE

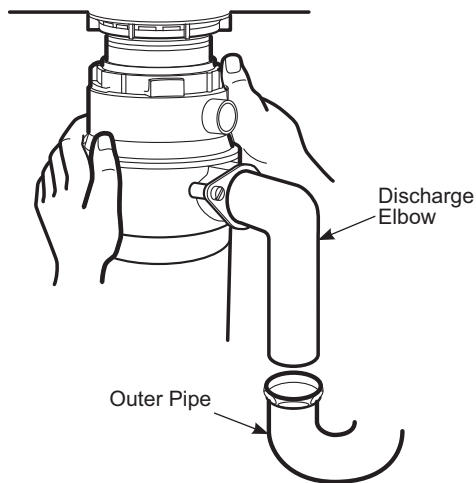
### 1 ATTACH TO SINK FLANGE

Line up the disposer under the sink flange. Guide the hopper projections into the mount ring slots. Turn the mount ring about 1/4" to the right so that the disposer is temporarily supported.



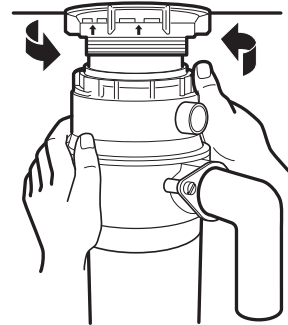
### 2 LINE UP WITH OUTLET PIPE

Turn the mount ring and the disposer until the disposer discharge elbow lines up with the outlet pipe (see page 11).

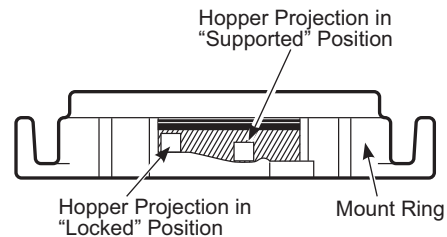


### 3 LOCK MOUNT RING

Turn the mount ring to the right until it locks up tight. Hopper projections must be to the extreme left of the mounting slots. If the mount ring is hard to turn, you may add a small amount of petroleum jelly or liquid soap to the hopper projection. Run water and check for leaks.



#### Locking Detail

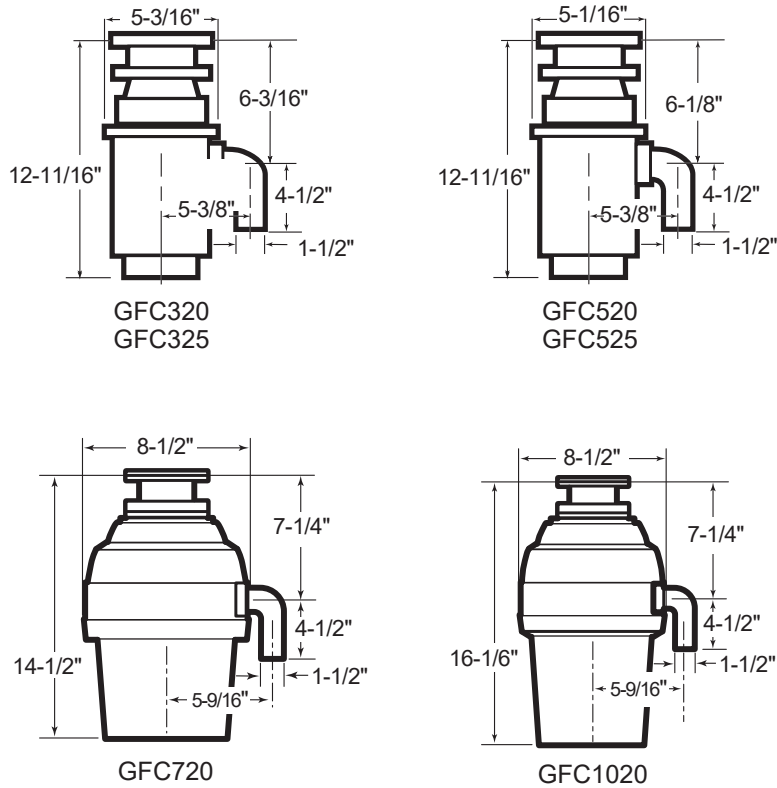


### 4 CHECK FOR LEAKS

Check the unit for leaks 24 hours after installation and first operation.

# Installation Instructions

## DIMENSIONS

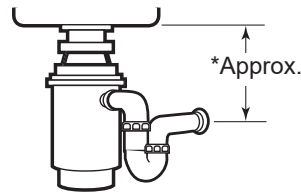


## SOME TYPICAL INSTALLATIONS

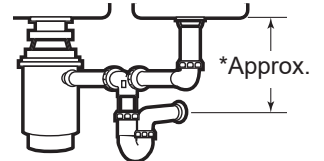
**NOTE:** It is essential for the proper operation of the disposer that this dimension be 9"-12", depending upon the models listed above, to avoid standing water in disposer motor housing.

\*\*Flexible drain pipe may be necessary for this application.

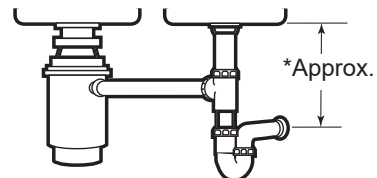
SINGLE BOWL



DOUBLE BOWL  
CENTER OUTLET\*\*



DOUBLE BOWL  
END OUTLET\*\*

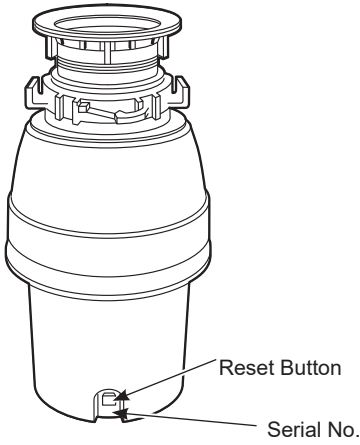
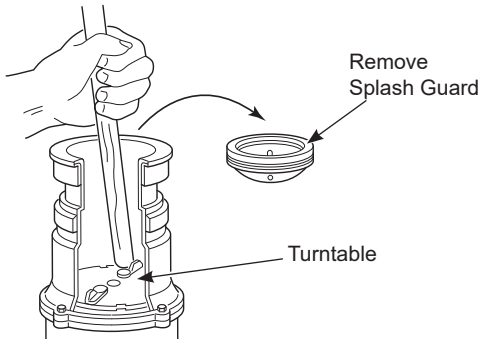


# Troubleshooting Tips... Before you call for service

Save time and money! Review the charts below first and you may not need to call for service.

**SAFETY NOTE:** Before investigating, you must disconnect the power supply.

**⚠ WARNING** Before resetting, disconnect the power supply - see SAFETY NOTE above. The overload control prevents the motor from operating should overloading occur. This feature protects your house wiring and your disposer. When overloaded, the motor will stop automatically.

Problem	Possible Cause	What To Do
Loud noises (other than those during grinding of bones and fruit pits)	Silverware, bottle cap or other foreign object has fallen into the disposer	Remove the object with long-handled tongs.
Disposer does not start	Reset button has been tripped 	With the splash guard* removed, check to see if the turntable will move freely using a broom handle. If the turntable moves freely, replace the splash guard* and check the reset button to see if it has been tripped. The reset button is red and located opposite the discharge elbow, near the bottom of the disposer. Push the button in until it clicks and remains depressed. If the reset button has not been tripped, check for a shorted or broken wire connecting to the disposer. Check the electrical power switch, fuse box or circuit breaker. If wiring and electrical components are intact, the unit may have internal problems that require service or replacement.
	Turntable cannot rotate. 	If the turntable does not turn freely, check for an object lodged between the turntable and the grind ring. Dislodge the object by moving the turntable with a broom handle. Then remove the object.  If no foreign object is present, there may be internal problems.
Disposer leaks	If the leak is at the top, it may be caused by: <ol style="list-style-type: none"> <li>1. Improper seating of sink flange (gasket choice, putty, or tightening).</li> <li>2. Support ring not tightened properly.</li> <li>3. Defective cushion mount.</li> </ol> If the leak is at the discharge elbow, leak may be caused by improper tightening of elbow flange screws.	



# GE Appliances Disposer Limited Warranty

(For customers in the United States)

## GEAppliances.com

All warranty service is provided by our Factory Service Centers, or an authorized Customer Care® technician. To schedule service online, visit us at [GEAppliances.com/service](http://GEAppliances.com/service), or call GE Appliances at 833-4BODEWELL (833-426-3393). Please have your serial number and your model number available when calling for service.

### Warranty for GFC320, GFC325, GFC520 and GFC525 models only:

For the period of	GE Appliances will choose to repair or replace
<b>Seven Years</b> From the date of the original purchase	The product which fails due to a defect in materials or workmanship. The exchange unit is warranted for the remainder of your product's original seven-year warranty period. GE Appliances is not responsible for installation charges relating to the replacement product.

### Warranty for GFC720 and GFC1020 models only:

For the period of	GE Appliances will choose to repair or replace
<b>Ten Years</b> From the date of the original purchase	The product which fails due to a defect in materials or workmanship. The exchange unit is warranted for the remainder of your product's original ten-year warranty period. GE Appliances is not responsible for installation charges relating to the replacement product.

Staple your receipt here. Proof of the original purchase date is needed to obtain service under the warranty.

### What is not covered:

- Service trips to your home to teach you how to use the product.
- Improper installation, delivery or maintenance.
- Failure of the product if it is abused, misused, or used for other than the intended purpose or used commercially.
- Replacement of house fuses or resetting of circuit breakers.
- Products which are not defective or broken, or which are working as described in the Owner's Manual.
- Damage to the product caused by accident, fire, floods or acts of God.
- Incidental or consequential damage caused by possible defects with this appliance.
- Defects or damage due to operation in freezing temperatures.
- Damage caused after delivery.
- Product not accessible to provide required service.

### EXCLUSION OF IMPLIED WARRANTIES

Your sole and exclusive remedy is product repair as provided in this Limited Warranty. Any implied warranties, including the implied warranties of merchantability or fitness for a particular purpose, are limited to one year or the shortest period allowed by law.

This limited warranty is extended to the original purchaser and any succeeding owner for products purchased for home use within the USA. If the product is located in an area where service by a GE Appliances Authorized Servicer is not available, you may be responsible for a trip charge or you may be required to bring the product to an Authorized GE Appliances Service location for service. In Alaska, the limited warranty excludes the cost of shipping or service calls to your home.

Some states do not allow the exclusion or limitation of incidental or consequential damages. This limited warranty gives you specific legal rights, and you may also have other rights which vary from state to state. To know what your legal rights are, consult your local or state consumer affairs office or your state's Attorney General.

**Warrantor: GE Appliances, a Haier Company, Louisville, KY 40225**

# GE Appliances Disposer Limited Warranty

(For customers in Canada)

## GEAppliances.ca

All warranty service is provided by our Factory Service Centers, or an authorized Customer Care® technician. To schedule service online, visit us at [GEAppliances.ca/after-sales-support](http://GEAppliances.ca/after-sales-support), or call GE Appliances at 800.561.3344. Please have your serial number and your model number available when calling for service.

### Warranty for GFC320, GFC325, GFC520 and GFC525 models only:

For the period of	GE Appliances will choose to repair or replace
<b>Seven Years</b> From the date of the original purchase	The product which fails due to a defect in materials or workmanship. The exchange unit is warranted for the remainder of your product's original seven-year warranty period. GE Appliances is not responsible for installation charges relating to the replacement product.

### Warranty for GFC720 and GFC1020 models only:

For the period of	GE Appliances will choose to repair or replace
<b>Ten Years</b> From the date of the original purchase	The product which fails due to a defect in materials or workmanship. The exchange unit is warranted for the remainder of your product's original ten-year warranty period. GE Appliances is not responsible for installation charges relating to the replacement product.

### What is not covered:

- Service trips to your home to teach you how to use the product.
- Improper installation, delivery or maintenance.
- Failure of the product if it is abused, misused, or used for other than the intended purpose or used commercially.
- Replacement of house fuses or resetting of circuit breakers.
- Products which are not defective or broken, or which are working as described in the Owner's Manual.
- Damage to the product caused by accident, fire, floods or acts of God.
- Incidental or consequential damage caused by possible defects with this appliance.
- Defects or damage due to operation in freezing temperatures.
- Damage caused after delivery.
- Product not accessible to provide required service.

### EXCLUSION OF IMPLIED WARRANTIES

Your sole and exclusive remedy is product repair as provided in this Limited Warranty. Any implied warranties, including the implied warranties of merchantability or fitness for a particular purpose, are limited to one year or the shortest period allowed by law.

This limited warranty is extended to the original purchaser and any succeeding owner for products purchased in Canada for home use within Canada. If the product is located in an area where service by a GE Appliances Authorized Servicer is not available, you may be responsible for a trip charge or you may be required to bring the product to an Authorized GE Appliances Service location.

Some provinces do not allow the exclusion or limitation of incidental or consequential damages. This limited warranty gives you specific legal rights, and you may also have other rights which vary from province to province. To know what your legal rights are, consult your local or provincial consumer affairs office.

**Warrantor: MC Commercial Inc., Burlington, ON, L7R 5B6**

**LIMITED WARRANTY**

Staple your receipt here. Proof of the original purchase date is needed to obtain service under the warranty.

# Consumer Support

---

## GE Appliances Website

Have a question or need assistance with your appliance? Try the GE Appliances Website 24 hours a day, any day of the year! You can also shop for more great GE Appliances products and take advantage of all our on-line support services designed for your convenience. In the US: **GEAppliances.com**

In Canada: **GEAppliances.ca**

---

## Register Your Appliance

Register your new appliance on-line at your convenience! Timely product registration will allow for enhanced communication and prompt service under the terms of your warranty, should the need arise. You may also mail in the pre-printed registration card included in the packing material. In the US: **GEAppliances.com/register**

In Canada: **GEAppliances.ca/after-sales-support**

---

## Schedule Service

Expert GE Appliances repair service is only one step away from your door. Get on-line and schedule your service at your convenience any day of the year. In the US: **GEAppliances.com/service** or call 833-4BODEWELL (833-426-3393) during normal business hours.

In Canada: **GEAppliances.ca/after-sales-support** or call 800.561.3344.

---

## Extended Warranties

Purchase a GE Appliances extended warranty and learn about special discounts that are available while your warranty is still in effect. You can purchase it on-line anytime. GE Appliances Services will still be there after your warranty expires. In the US: **GEAppliances.com/extended-warranty** or call 800.626.2224 during normal business hours.

In Canada: **GEAppliances.ca/purchase-extended-warranty** or call 866.277.9842.

---

## Parts and Accessories

Individuals qualified to service their own appliances can have parts or accessories sent directly to their homes (VISA, MasterCard and Discover cards are accepted). Order on-line today 24 hours every day.

In the US: **GEApplianceparts.com** or by phone at 877.959.8688 during normal business hours.

In Canada: **GEAppliances.ca/parts-filters-accessories** or call 800.661.1616.

**Instructions contained in this manual cover procedures to be performed by any user. Other servicing generally should be referred to qualified service personnel. Caution must be exercised, since improper servicing may cause unsafe operation.**

---

## Contact Us

If you are not satisfied with the service you receive from GE Appliances, contact us on our Website with all the details including your phone number, or write to:

In the US: General Manager, Customer Relations | GE Appliances, Appliance Park | Louisville, KY 40225  
**GEAppliances.com/contact** or call 800.626.2000

In Canada: Director, Customer Relations | MC Commercial Inc. | Suite 300, 5420 North Service Road | Burlington, ON L7L 6C7  
**GEAppliances.ca/contact-us** or call 877.994.5366





# DISPOSALL® Broyeur de déchets

**CONSIGNES DE SÉCURITÉ** .....3

**UTILISATION DU BROYEUR DE DÉCHETS**  
Chargement continu .....5

**ENTRETIEN ET NETTOYAGE** .....6

**INSTALLATION INSTRUCTIONS**  
Préparation .....7  
Pièces et installation .....8  
Installation du collet d'évier .....8  
raccord au lave-vaisselle .....9  
Fixation du coude de refoulement .....9  
Raccord du broyeur au collet d'évier ....10  
Dimensions ..... 11  
Types d'installations..... 11

**CONSEILS DE DÉPANNAGE** ....12

**GARANTIE LIMITÉE** .....15

**SERVICE À LA CLIENTÈLE** .....16

## GUIDE D'UTILISATION ET INSTRUCTIONS D'INSTALLATION

- GFC320
- GFC325
- GFC520
- GFC525
- GFC720
- GFC1020

Notez ci-après le modèle et le numéro de série :

Modèle : \_\_\_\_\_

Numéro de série : \_\_\_\_\_

Ils sont indiqués sur l'étiquette placée au bas du broyeur.

## **NOUS VOUS REMERCIONS D'ACCUEILLIR GE APPLIANCES CHEZ VOUS**

Que vous ayez grandi avec GE Appliances ou qu'il s'agisse de votre première acquisition, nous sommes heureux de vous accueillir dans notre famille.

Nous sommes fiers du savoir-faire, de l'innovation et de l'esthétique qui composent chaque appareil GE Appliances, et nous pensons que vous le serez aussi. Dans cette optique, nous vous rappelons que l'enregistrement de votre électroménager vous assure la communication de renseignements importants sur le produit et la garantie lorsque vous en avez besoin.

Enregistrez votre électroménager GE en ligne dès maintenant. Des sites Web et des numéros de téléphone utiles figurent dans la section Soutien au consommateur de ce manuel d'utilisation. Vous pouvez aussi poster la fiche de garantie pré-imprimée incluse dans l'emballage.



**GE APPLIANCES**

# CONSIGNES DE SÉCURITÉ IMPORTANTES

## LIRE TOUTES LES CONSIGNES AVANT D'UTILISER L'APPAREIL

**▲ AVERTISSEMENT** Pour votre sécurité, veuillez suivre les directives données dans le présent manuel afin de réduire au minimum les risques d'incendie, d'explosion et de chocs électriques et prévenir tout dommage et blessure grave ou mortelle.

**▲ AVERTISSEMENT** LORS DE L'UTILISATION D'APPAREILS ÉLECTRIQUES, RESPECTEZ LES PRÉCAUTIONS ÉLÉMENTAIRES DE SÉCURITÉ, NOTAMMENT :

- N'utilisez cet appareil que dans le but décrit par le présent guide d'utilisation.
- Lisez l'ensemble des instructions avant d'utiliser l'appareil.
- Afin de réduire le risque de blessure, une surveillance étroite est requise lorsque le broyeur est utilisé à proximité d'enfants.
- Ne placez pas les doigts ou les mains dans le broyeur de déchets.
- Éteignez l'appareil avant de tenter de déboucher le broyeur ou d'en retirer un objet.
- Lorsque vous tentez de déboucher le broyeur de déchets, utilisez un objet long et en bois, comme une cuillère en bois ou un manche à balai en bois.
- Pour tenter de retirer des objets du broyeur de déchets, utilisez de longues pinces. Si le broyeur est magnétisé, utilisez des outils amagnétiques.
- Pour réduire les risques de blessure provoquée par l'expulsion de matériaux du broyeur de déchets, ne jetez pas les déchets suivants dans le broyeur :
  - a. coquilles d'huîtres ou de myes;
  - b. produits de débouchage caustiques ou similaires;
  - c. verre, porcelaine ou plastique;
  - d. gros os entiers;
  - e. métal, par exemple : boîtes de conserve, canettes, ustensiles ou papier aluminium;
  - f. huile chaude ou autres liquides chauds;
  - g. épis de maïs entiers.
- Lorsque vous n'utilisez pas le broyeur, laissez le bouchon du drain en place pour éviter d'y faire tomber des objets.
- Consultez les instructions détaillées de mise à la terre à la section **BRANCHEMENTS ÉLECTRIQUES** du présent guide.

### BRANCHEMENTS ÉLECTRIQUES

Si vous n'êtes pas à l'aise avec les procédures et connexions électriques, faites appel à un électricien qualifié.

**▲ AVERTISSEMENT** Une connexion erronée du connecteur de mise à la terre de l'appareil peut entraîner des risques d'électrocution. Consultez un électricien qualifié en cas de doute sur la mise à la terre de l'appareil. N'altérez pas la prise fournie avec l'appareil si elle ne correspond pas à la prise murale. Le cas échéant, faites installer une prise murale adaptée par un électricien qualifié.

Pour les modèles équipés d'un câble de mise à la terre :

**INSTRUCTIONS DE MISE À LA TERRE :** Ce broyeur de déchets doit être mis à la terre afin de réduire le risque de décharge électrique dans l'éventualité d'une défectuosité ou d'une panne. La mise à la terre procure un trajet de moindre résistance pour le courant électrique. Ce broyeur est équipé d'un cordon doté d'un conducteur de terre et d'une fiche de terre. La fiche doit être branchée dans une prise correctement installée et mise à la terre en conformité avec les codes et règlements locaux.

## LIRE ET CONSERVER CES INSTRUCTIONS

# CONSIGNES DE SÉCURITÉ IMPORTANTES

## LIRE TOUTES LES CONSIGNES AVANT D'UTILISER L'APPAREIL

### BRANCHEMENTS ÉLECTRIQUES (Suite)

**Si vous n'êtes pas à l'aise avec les procédures et connexions électriques, faites appel à un électricien qualifié.**

Le câble d'alimentation et/ou les connexions doivent être conformes au Code électrique national, section 422, ou aux normes et réglementations locales.

**Pour les modèles non équipés de câble :**

si votre broyeur n'est pas équipé de câble, il existe deux moyens de le connecter :

1. fixer un câble d'alimentation, d'une longueur comprise entre 45 cm (18 po) et 90 cm (36 po);  
Utiliser la pièce GE numéro PM3X215

ou

2. relier directement le broyeur au circuit électrique domestique.

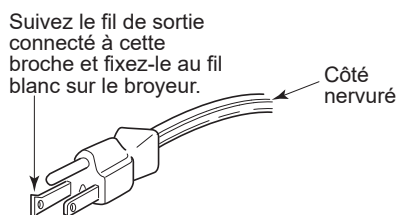
**Pour fixer un câble d'alimentation :**

**INSTRUCTIONS DE MISE À LA TERRE :** Ce broyeur de déchets doit être mis à la terre afin de réduire le risque de décharge électrique dans l'éventualité d'une défektivité ou d'une panne. La mise à la terre procure un trajet de moindre résistance pour le courant électrique. Ce broyeur est équipé d'un cordon doté d'un conducteur de terre et d'une fiche de terre. La fiche doit être branchée dans une prise correctement installée et mise à la terre en conformité avec les codes et règlements locaux.

**⚠ AVERTISSEMENT** Une connexion erronée du connecteur de mise à la terre de l'appareil peut entraîner des risques d'électrocution. Consultez un électricien qualifié en cas de doute sur la mise à la terre de l'appareil.

**REMARQUE :** déconnectez l'alimentation électrique du circuit du broyeur avant l'installation. Éteignez le disjoncteur du circuit ou retirez le fusible correspondant.

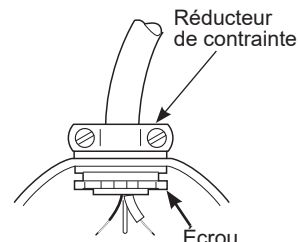
- A. Connectez exclusivement le broyeur à un courant alternatif 110-120 V, 60 Hz
- B. En cas d'utilisation d'un câble enfichable, utilisez une prise à trois fiches. Le fil de garde doit être fixé à la vis de borne de terre au bas le broyeur (plaque-couvercle).



**REMARQUE :** en regardant la prise électrique de face, avec la broche de mise à la terre en haut, la broche de gauche, la plus grande, est connectée au fil identifié.

- C. Utilisez un connecteur collier de câble réducteur de contrainte à l'entrée du câble d'alimentation dans le broyeur.

Pièce pour connexions à la boîte HEYCO. No.3043



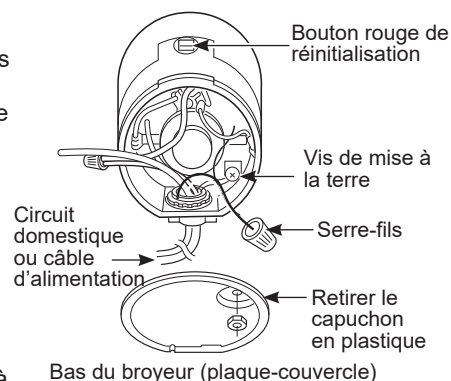
**Pour raccorder votre broyeur directement au courant domestique :**

**INSTRUCTIONS DE MISE À LA TERRE :** Ce broyeur doit être connecté à un circuit électrique permanent, en métal, et mis à la terre, ou un conducteur de mise à la terre de l'appareil doit être utilisé avec les conducteurs du circuit et connecté à un terminal de mise à la terre ou broche sur l'appareil.

- A. Si vous utilisez un câble blindé BX :
  1. Ces produits sont conçus pour une utilisation résidentielle.
  2. Raccordez le fil blanc au conducteur blanc du broyeur avec un serre-fils. Raccordez le fil noir au conducteur noir du broyeur avec un serre-fils. Raccordez le fil de masse nu à la vis de borne de terre. Le fil de terre devrait être pincé et retenu en place par un serre-câble.
  3. N'utilisez pas de conduit rigide pour la connexion du câblage.
  4. Un interrupteur de moteur réservé acceptable avec la position d'arrêt marquée doit être fourni pour ce broyeur en l'installant. L'interrupteur doit être monté en vue du broyeur ou de l'ouverture de l'évier pour le broyeur.

Si vous n'utilisez pas de câble blindé BX, fournissez un fil de garde séparé à connecter à la mise à la terre fiable la plus proche à l'aide de la vis de mise à la terre.

- B. Si votre alimentation n'inclut pas de fil de garde, il vous faut en fournir un, à moins qu'un câble en métal soit utilisé. Fixez fermement une extrémité d'un fil en cuivre à la vis de mise à la terre du broyeur et l'autre extrémité à une mise à la terre fiable. N'utilisez que des colliers de câble de mise à la terre conformes à la norme UL. Si votre installation électrique est dotée de tubes en plastique, faites appel à un électricien qualifié pour installer la mise à la terre.



## LIRE ET CONSERVER CES INSTRUCTIONS

# Utilisation du broyeur de déchets

**LISEZ TOUTES LES CONSIGNES DE SÉCURITÉ DE LES PAGES 3 ET 4 AVANT D'UTILISER LE BROYEUR.**

Ce broyeur utilise des impulseurs anti-blocage pivotants qui émettent un clic lors de leur positionnement. Ceci indique un fonctionnement normal.

## Chargement continu

- A.** Retirez le bouchon de l'évier et faites couler de l'eau froide à pression moyenne.
- B.** Placez l'interrupteur en position allumée.
- C.** Jetez des déchets alimentaires. Pour accélérer le broyage des déchets alimentaires, coupez ou cassez les grands os, peaux ou épis de maïs. Les grands os et les épis de maïs fibreux nécessitent un temps de broyage considérable; il est plus facile de les jeter aux ordures. Ne vous inquiétez pas si le broyeur ralentit en cours de broyage. Il s'agit d'un fonctionnement normal indiquant que le broyeur augmente sa torsion (puissance de broyage).
- D.** Avant d'éteindre le broyeur, laissez couler l'eau et maintenez le broyeur allumé durant environ 25 secondes après la fin du broyage. Ce laps de temps permet de garantir que tous les déchets sont correctement écoulés via le siphon et le drain.
- E.** N'utilisez pas d'eau chaude lors de l'activation du broyeur. L'eau froide permet de maintenir l'état solide des déchets alimentaires et des graisses afin de les écouler via le drain.

## Astuces utiles

- A.** Assurez-vous que le broyeur est vide avant d'utiliser le lave-vaisselle afin de garantir un écoulement correct.
- B.** Il est possible de laisser le bouchon sur le drain lorsque le broyeur n'est pas utilisé pour éviter la chute d'ustensiles ou autres objets.
- C.** Le broyeur est robuste pour vous assurer des années de fonctionnement sans problème. Il gère tous les déchets alimentaires normaux, MAIS ne broie pas et n'évacue pas les objets tels que les canettes, bouteilles et bouchons de bouteilles, le verre, la porcelaine, le cuir, les tissus, la vaisselle, le caoutchouc, le fil, les plumes ou les coquilles d'huîtres ou de myes. Ces déchets doivent être jetés dans une poubelle traditionnelle ou un compacteur pour ordures ménagères.
- D. POUR ACCÉLÉRER LE BROYAGE DES DÉCHETS ALIMENTAIRES...** Coupez ou cassez les grands os, écorces de melon, peaux de pamplemousses ou épis de maïs. Les déchets comme les grands os et les éléments fibreux comme les cosses de haricots ou les épis de maïs nécessitent un temps de broyage considérable. C'est pourquoi vous préférerez peut-être les jeter dans une poubelle traditionnelle ou un compacteur pour ordures ménagères.

## Entretien et nettoyage

---

**LE MOTEUR À GRAISSAGE PERMANENT EST LUBRIFIÉ POUR TOUTE SA DURÉE DE VIE. N'ESSAYEZ PAS DE LUBRIFIER VOTRE BROYEUR.** Le broyeur est autonettoyant et il assure une fonction dégraissante à chaque utilisation.

- Ne versez JAMAIS de lessive ou autres produits chimiques dans le broyeur sous peine de provoquer une corrosion définitive des parties métalliques.
- Votre broyeur est équipé d'un pare-éclaboussures amovible pour un nettoyage et une réinstallation faciles. Retirez le pare-éclaboussures le tirant vers le haut. Pour le replacer, insérez-le dans le collet d'évier et appuyez jusqu'à ce qu'il soit correctement installé.
- En cas de mauvaises odeurs, jetez des peaux d'orange ou de citron dans le broyeur. Une douzaine de glaçons saupoudrés d'une petite quantité de poudre à récurer domestique permet aussi d'éliminer les odeurs

# Instructions d'installation

# Broyeur

Des questions? Appelez le 800.561.3344 ou Visitez notre site Web à l'adresse : [www.electromenagersge.ca](http://www.electromenagersge.ca)

## AVANT DE COMMENCER

Lisez attentivement ces instructions, dans leur intégralité.

## POUR VOTRE SÉCURITÉ

**Veuillez lire et observer toutes les mises en garde AVERTISSEMENT et ATTENTION données dans les présentes directives.**

**Pour effectuer l'installation décrite dans les présentes directives, il faut porter des gants ou des lunettes de sécurité.**

**IMPORTANT** – respectez toutes les normes et réglementations en vigueur.

- Conservez les présentes instructions à l'attention de l'inspecteur local.
- **Remarque à l'installateur** : assurez-vous de fournir les présentes instructions à l'utilisateur.
- **Remarque à l'utilisateur** : conservez les présentes instructions pour pouvoir vous y reporter ultérieurement.
- **Niveau de compétence** : l'installation de cet appareil requiert des compétences mécaniques de base.
- **Durée d'installation** : 1 heure.
- La conformité de l'installation relève de la responsabilité de l'installateur.
- Les défaillances du produit provoquées par une installation incorrecte ne sont pas couvertes par la garantie.

## ⚠ AVERTISSEMENT

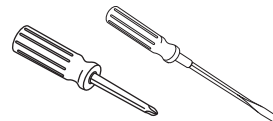
- **POUR VOTRE SÉCURITÉ PERSONNELLE**: Enlevez le fusible ou déclenchez le disjoncteur au panneau de distribution principal avant de commencer l'installation. N'utilisez pas une rallonge électrique ou un adaptateur de fiche avec cet appareil.
- **POUR VOTRE SÉCURITÉ PERSONNELLE** : Ne placez pas votre tête ou votre corps en dessous du broyeur; celui-ci pourrait tomber pendant son retrait ou son installation.
- Un branchement inadéquat du conducteur de mise à la terre peut présenter des risques de choc électrique. Si vous n'êtes pas certain que l'appareil est correctement mis à la terre, consultez un réparateur ou un électricien qualifié.
- Si le câblage électrique de la résidence n'est pas constitué de deux fils plus un fil de mise à la terre, l'installateur doit installer un fil de mise à la terre. Si le câblage électrique de la résidence est en aluminium, utilisez un agent antioxydant et des connecteurs pour raccords «aluminium-cuivre» homologués UL.

## PRÉPARATION

1. Débranchez l'alimentation du broyeur.
2. Retirez l'ancien broyeur ou le collet d'évier.
3. Inspectez la conduite du drain. Si elle est recouverte d'une épaisse couche de graisse durcie et autres dépôts, débouchez-la à l'aide d'un furet de plombier.
4. Retirez les anciens indicateurs d'entartrage et joints de l'ouverture de l'évier, en haut et en bas.

**REMARQUE** : les surfaces supérieures et inférieures de l'évier doivent être propres et sans dépôts, pour éviter les fuites.

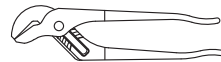
## OUTILLAGE NÉCESSAIRE



- Tournevis cruciformes et tournevis plats



- Marteau



- Pince multiprise avec articulation à boutonnière



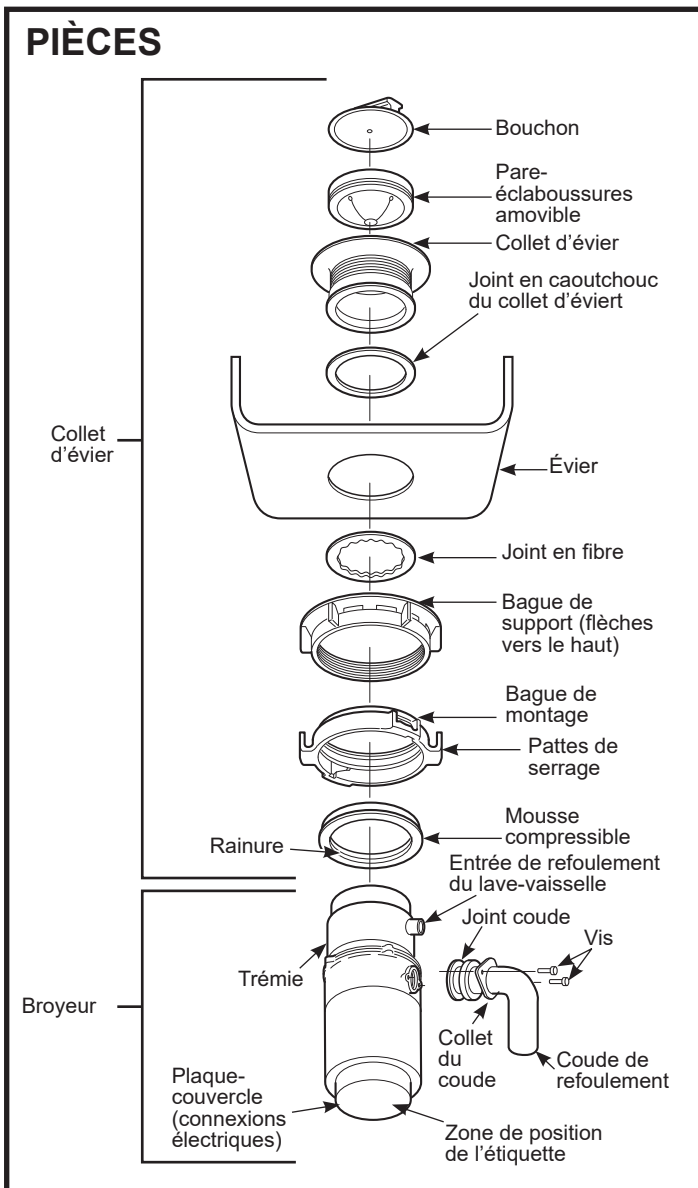
- Tournevis à douille

## OUTILLAGE SUPPLÉMENTAIRE POSSIBLEMENT NÉCESSAIRE

- Poinçon d'acier ou goujon en bois
- Vaseline ou savon liquide
- Collier de serrage
- Connecteur au drain du lave-vaisselle
- Clé à tuyau réglable
- Mastic de plomberie (pour les éviers moulés)
- Adaptateur de drain en caoutchouc à baïonnette
- Serre-fils
- Raccord de câble
- Drain flexible
- Trousse de câble d'alimentation (réf. PM3X215)

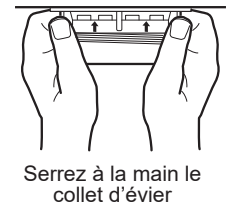
# Instructions d'installation

## PIÈCES ET INSTALLATION

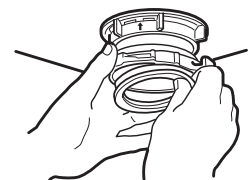


**REMARQUE :** notez bien l'ordre des pièces du collet d'évier dans la configuration d'usine.

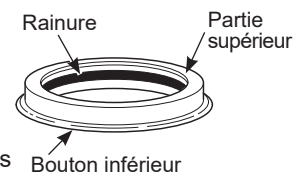
- Démontez l'ensemble du collet d'évier du broyeur en tournant la bague de montage vers la gauche (dans le sens des aiguilles d'une montre) puis en la retirant.
- Soulevez la bague de montage vers le haut du collet d'évier. Retirez la mousse compressible et la bague de montage. Vous pouvez tester l'installation de la mousse compressible lors de cette étape, avant de vous placer sous l'évier.
- Dévissez la bague de support du collet d'évier et retirez le joint en fibre. Vous disposez désormais du collet d'évier et du joint en caoutchouc.
- Le joint en caoutchouc est utilisé au lieu du mastic de plomberie sur les éviers en acier inoxydable. Certains éviers moulés nécessitent l'utilisation de mastic.**
- Si l'utilisation de mastic n'est pas nécessaire, insérez le collet d'évier dans l'ouverture de l'évier, à travers le joint en caoutchouc. Ne faites pas tourner le collet après l'avoir installé.
- Si vous utilisez du mastic au lieu du joint, formez une bague autour de la base du collet d'évier. Insérez le collet dans l'ouverture de l'évier en serrant fermement pour éliminer l'excès de mastic. En vous positionnant sous l'évier, supprimez l'excès de mastic à la base de l'ouverture de l'évier.
- En vous positionnant sous l'évier, faites glisser le joint en fibre sur le collet d'évier exposé. En vous assurant que les flèches pointent vers le haut, vissez la bague de support sur le collet d'évier et serrez à la main jusqu'à ce que le collet d'évier soit fixe. Vous pouvez désormais placer le bouchon dans l'évier et le remplir d'eau pour vérifier l'étanchéité des joints et l'absence de fuites.



- Placez la bague de montage sur le collet d'évier et maintenez-la en place tout en installant la mousse compressible (le côté le plus large en bas). Assurez-vous que la rainure intérieure de la mousse compressible s'emboîte dans l'encoche du collet d'évier, comme un couvercle sur un récipient en plastique. Faites le tour de la mousse compressible avec vos doigts en appliquant une légère pression. N'appuyez pas trop fort. Une fois la mousse compressible correctement installée, la bague de montage peut être tirée vers le bas pour tourner librement.



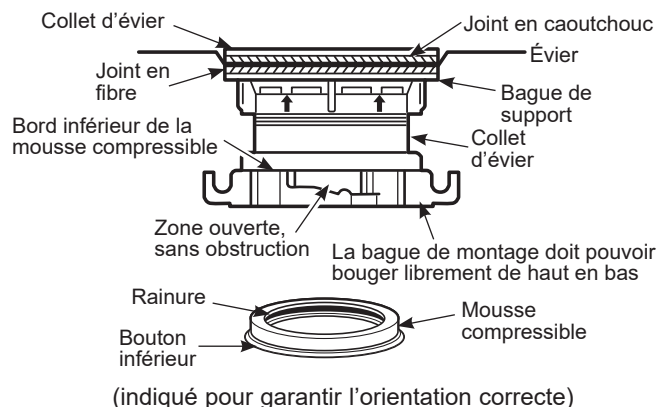
**Détails de la mousse compressible**



## INSTALLATION DU COLLET D'ÉVIER

(Lisez l'intégralité des instructions avant de commencer)

### Installation correcte du collet d'évier





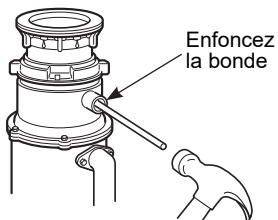
# Instructions d'installation

## RACCORD AU LAVE-VAISSELLE (LE CAS ÉCHÉANT)

Pour raccorder le broyeur à un lave-vaisselle, suivez l'étape ci-dessous. Si vous ne souhaitez pas raccorder le broyeur à un lave-vaisselle, passez directement à la section « Fixation du coude de refolement ».

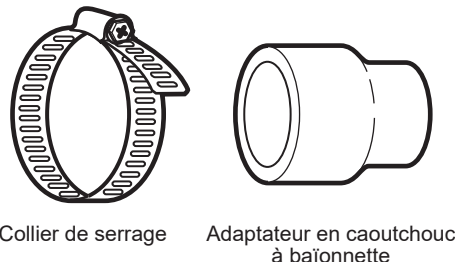
### 1 ENFONCEZ LA BONDE

À l'aide d'un outil non tranchant (poinçon d'acier ou goujon en bois), enfoncez entièrement la bonde. N'utilisez pas de tournevis ou d'outil pointu. Une fois la bonde tombée dans le broyeur, vous pouvez la retirer ou tout simplement la broyer lors de l'utilisation du broyeur. Ceci n'endommage en aucun cas le broyeur, mais le broyage peut prendre un certain temps et nécessiter plusieurs utilisations.



### 2 RACCORD DU TUYAU

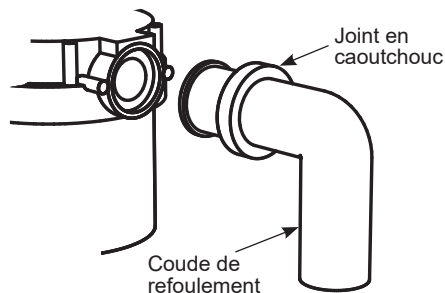
Raccordez le tuyau du lave-vaisselle à l'aide du collier de serrage. Si la taille du tuyau est différente, utilisez un adaptateur en caoutchouc à baïonnette.



## FIXATION DU COUDE DE REFOULEMENT

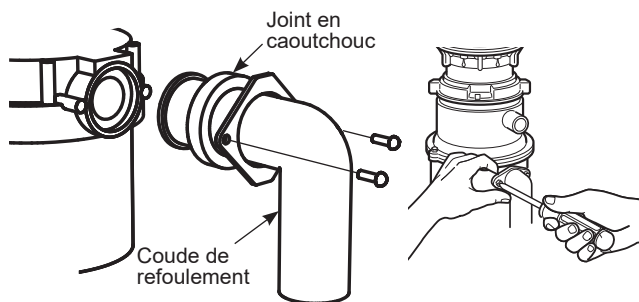
### 1 ATTACHER LE JOINT EN CAOUTCHOUC

Glisser le joint en caoutchouc le long du tuyau de drainage.



### 2 RACCORDER LE COUDE DE REFOULEMENT\*

Raccordez le coude de refolement au broyeur.\*\* Assurez-vous de bien serrer tous les raccords de plomberie.



\* Le coude de refolement doit être installé par un professionnel.

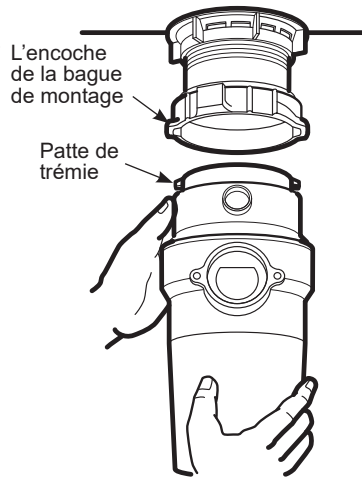
\*\* Certaines installations (voir exemples à la page 11) peuvent nécessiter l'utilisation d'un drain flexible.

# Instructions d'installation

## RACCORD DU BROYEUR AU COLLET D'ÉVIER

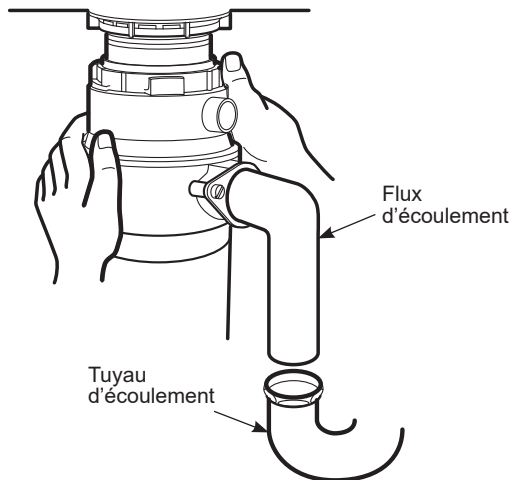
### 1 FIXATION AU COLLET D'ÉVIER

Alignez le broyeur sous le collet d'évier. Guidez les pattes de la trémie dans les emplacements de la bague de montage. Tournez la bague de montage d'un centimètre environ vers la droite pour soutenir temporairement le broyeur.



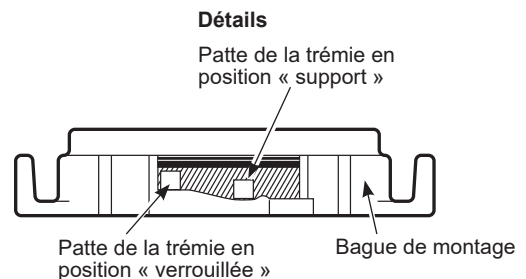
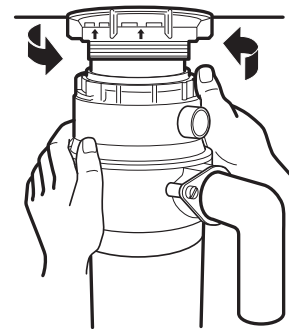
### 2 ALIGNEMENT AVEC LE TUYAU D'ÉCOULEMENT

Tournez la bague de montage et le broyeur jusqu'à ce que le coude de refoulement du broyeur s'aligne avec le tuyau d'écoulement (voir page 11).



### 3 VERROUILLAGE DE LA BAGUE DE MONTAGE

Tournez la bague de montage vers la droite et serrez-la fermement. Les pattes de la trémie doivent se trouver à l'extrême gauche des encoches de montage. Si la bague de montage résiste, ajoutez une petite quantité de vaseline ou de savon liquide sur les pattes de la trémie. Faites couler de l'eau et assurez-vous de l'absence de fuite.

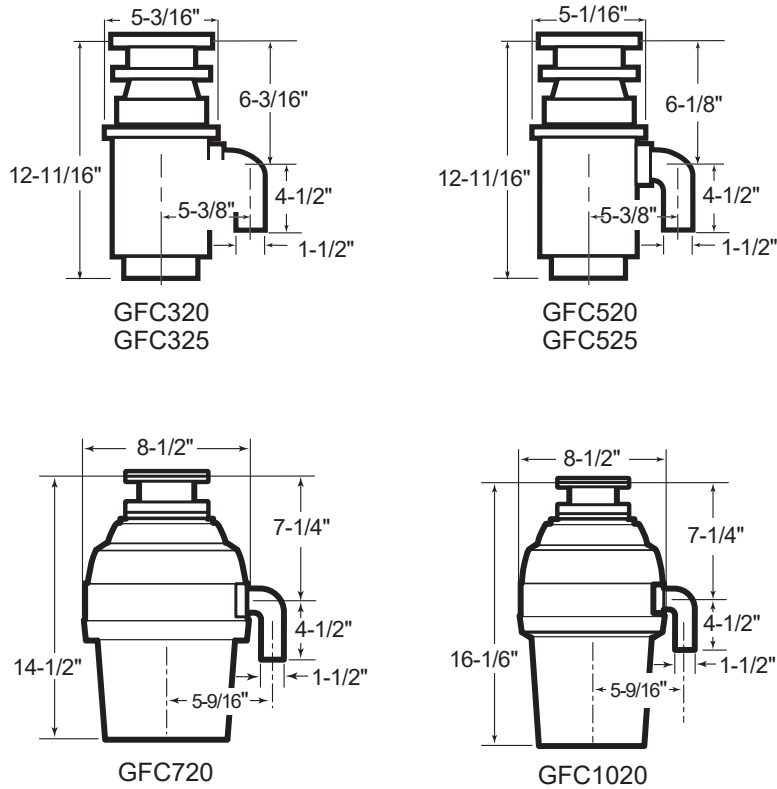


### 4 CONTRÔLE DES FUITES

Vérifiez l'absence de fuite 24 heures après l'installation et la première utilisation.

# Instructions d'installation

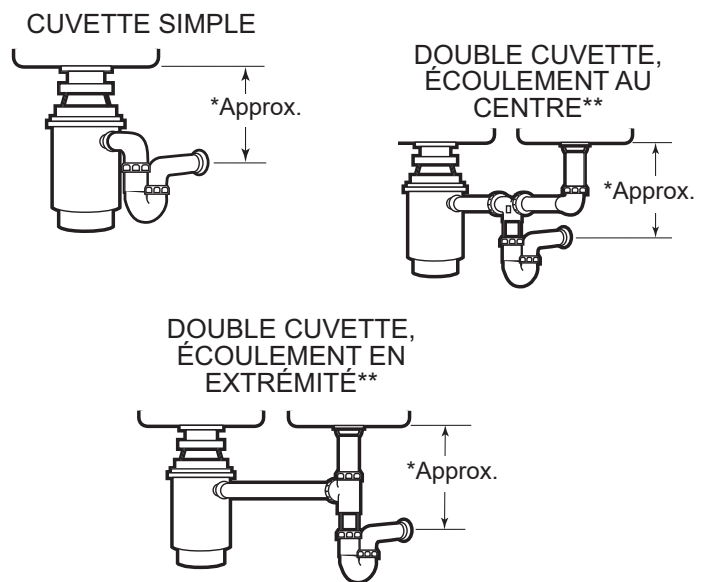
## DIMENSIONS



## TYPES D'INSTALLATION

**REMARQUE :** pour une installation correcte, il est indispensable de respecter cette dimension de 228 à 304 mm (9 à 12 po) selon les modèles répertoriés ci-dessus, pour éviter l'eau stagnante dans le boîtier du moteur du broyeur.

\*\*Un drain flexible peut s'avérer nécessaire pour cette application.



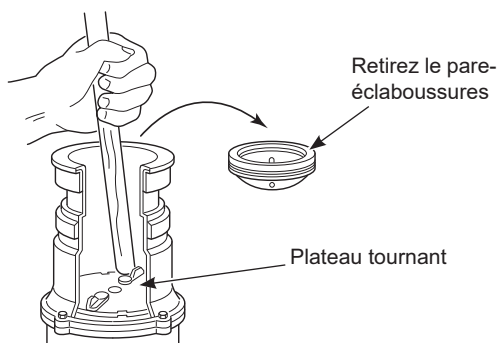
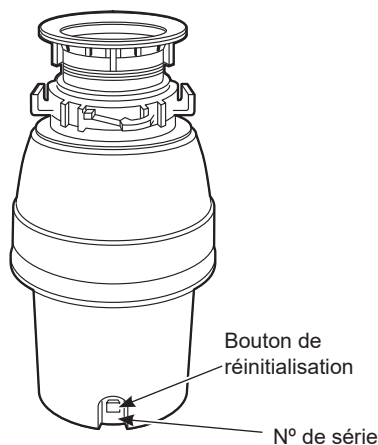
# Conseils de dépannage... Avant d'appeler un réparateur

Économisez du temps et de l'argent! Consultez d'abord les tableaux qui suivent et vous pourrez peut-être éviter de faire appel à un réparateur.

**REMARQUE RELATIVE À LA SÉCURITÉ :** Avant de manipuler le broyeur pour rechercher une panne, débranchez toujours l'alimentation.

**⚠ AVERTISSEMENT** Avant la réinitialisation, débranchez l'alimentation - Voir la REMARQUE RELATIVE À LA SÉCURITÉ ci-dessus. Le contrôle de surcharge protège le moteur des opérations impliquant une surcharge. Cette fonctionnalité protège à la fois votre installation électrique et votre broyeur. En cas de surcharge, le moteur s'arrête automatiquement.

Problème	Causes possibles	Solution
Bruits forts (sauf si broyage d'os ou de noyaux de fruits)	Des couverts, bouchons de bouteilles ou autres objets étrangers sont tombés dans le broyeur.	Extrayez l'objet à l'aide de pinces longues.
Le broyeur ne démarre pas.	Le bouton de réinitialisation a été enclenché.	Retirez le pare-éclaboussures* et vérifiez si le plateau tournant tourne librement à l'aide d'un manche à balai. S'il tourne librement, remplacez le pare-éclaboussures* et vérifiez si le bouton de réinitialisation a été enclenché. Le bouton de réinitialisation est rouge, et il est situé à l'opposé du coude de refoulement, près de la base du broyeur. Appuyez sur le bouton jusqu'à entendre un clic et maintenez-le enfoncé. Si le bouton de réinitialisation n'a pas été enclenché, recherchez un possible court-circuit ou fil rompu dans la connexion au broyeur. Vérifiez l'interrupteur d'alimentation électrique, le coffret de fusibles ou le disjoncteur. Si les câbles et les pièces électriques sont intacts, l'unité rencontre peut-être des problèmes internes nécessitant une réparation ou un remplacement.
	Le plateau tournant ne peut pas tourner.	Si le plateau tournant ne tourne pas librement, recherchez un possible objet étranger entre le plateau tournant et la bague de broyage. Délogez l'objet en faisant tourner le plateau tournant à l'aide d'un manche à balai, puis retirez-le. Si aucun objet étranger n'est présent, il peut s'agir de problèmes internes.



# Conseils de dépannage... Avant d'appeler un réparateur

Problème	Causes possibles	Solution
Fuite du broyeur	<p>Si la fuite vient de la partie supérieure, elle peut être provoquée par :</p> <ol style="list-style-type: none"><li>1. une mauvaise installation du collet d'évier (choix du joint, mastic ou serrage);</li><li>2. une bague de serrage mal serrée;</li><li>3. une mousse compressible défectueuse.</li></ol> <p>Si la fuite vient du coude de refoulement, elle peut être provoquée par un mauvais serrage des vis du collet de refoulement.</p>	

\*Les modèles à chargement discontinu n'incluent pas de pare-éclaboussures.



# Garantie limitée GE Appliances du broyeur

**GARANTIE LIMITÉE**

[www.electromenagersge.ca](http://www.electromenagersge.ca)

Toutes les réparations sous garantie seront effectuées par nos centres de réparation ou nos réparateurs autorisés. Pour planifier un service en ligne, rendez-vous sur [Electromenagersge.ca/fr/soutien/demande-de-service](http://Electromenagersge.ca/fr/soutien/demande-de-service) ou appelez le **800.561.3344**. Veuillez fournir le numéro de série et le numéro de modèle lorsque vous appelez pour obtenir le service.

## Garantie pour les modèles GFC320, GFC325, GFC520 y GFC525 seulement :

Pour la période de	GE Appliances choisira de réparer ou remplacer
<b>Sept ans</b> À partir de la date de l'achat original	Le produit défectueux en raison d'un vice de matière ou de fabrication. L'unité de remplacement est garantie pour le reste de la période de garantie initiale de sept ans de votre produit. GE Appliances n'est pas responsable des frais d'installation liés au produit de remplacement.

## Garantie pour les modèles GFC720 y GFC1020 seulement :

Pour la période de	GE Appliances choisira de réparer ou remplacer
<b>Dix ans</b> À partir de la date de l'achat original	Le produit défectueux en raison d'un vice de matière ou de fabrication. L'unité de remplacement est garantie pour le reste de la période de garantie initiale de dix ans de votre produit. GE Appliances n'est pas responsable des frais d'installation liés au produit de remplacement.

## Ce qui n'est pas couvert :

- Toute visite à votre domicile pour vous expliquer le fonctionnement de l'appareil.
- L'installation, la livraison ou l'entretien inadéquats de l'appareil.
- Toute défectuosité du produit attribuable à une utilisation abusive ou inadéquate, s'il a été utilisé à toute autre fin que celle pour laquelle il a été conçu, ou s'il a été utilisé à des fins commerciales.
- Le remplacement des fusibles ou le réenclenchement des disjoncteurs de votre domicile.
- Les produits qui ne sont pas défectueux ou brisés, ou qui fonctionnent tel que décrit dans le Manuel de l'utilisateur.
- Tout dommage au produit attribuable à un accident, un incendie, une inondation ou une catastrophe naturelle.
- Tout dommage accessoire ou indirect, causé par des défaillances possibles de l'appareil.
- Les défectuosités ou les dommages causés par une utilisation de l'appareil à des températures situées sous le point de congélation.
- Tout dommage causé après la livraison.
- Tout produit auquel il n'est pas possible d'accéder pour effectuer les réparations nécessaires.

## EXCLUSION DES GARANTIES IMPLICITES :

Votre seul et unique recours est de faire réparer le produit dans le cadre de cette garantie limitée. Toute garantie implicite, incluant la garantie de qualité marchande ou d'adaptabilité du produit à un usage particulier, est limitée à un an ou à la période la plus courte autorisée par la loi.

Cette garantie limitée est offerte à l'acheteur initial, ainsi qu'à tout propriétaire subséquent d'un produit acheté au Canada en vue d'une utilisation domestique au Canada. Si le produit se situe dans une zone où aucun réparateur agréé par GE Appliances n'est disponible, vous devrez peut-être assumer les frais de déplacement de celui-ci ou apporter le produit à un atelier de réparation agréé par GE Appliances.

Dans certains États ou province, il est interdit d'exclure ou de limiter les dommages indirects ou accessoires. Il est alors possible que les limitations ou exclusions ci-dessus ne s'appliquent pas dans votre cas. La présente garantie limitée vous confère des droits juridiques spécifiques. Vous pouvez bénéficier d'autres droits, qui varient d'un État ou d'une province à l'autre. Pour connaître les droits dont vous bénéficiez, communiquez avec le bureau des Relations avec les consommateurs de votre région ou de votre province.

**Garant : MC Commercial Inc., Burlington, ON, L7R 5B6**

Pour bénéficier du service de réparation sous garantie, une preuve de la date d'achat initial est nécessaire.

## Soutien au consommateur

---

### Site Web de GE Appliances

Vous avez une question ou vous avez besoin d'aide pour votre appareil électroménager? Visitez le site Web de GE Appliances 24 heures par jour, tous les jours de l'année! Vous pouvez aussi y trouver d'autres formidables produits GE Appliances et tirer avantage de tous nos services d'assistance en ligne. Au Canada : **[ElectromenagersGE.ca/fr](http://ElectromenagersGE.ca/fr)**

---

### Enregistrez votre électroménager

Enregistrez votre nouvel appareil en ligne au moment qui vous convient le mieux! L'enregistrement de votre produit dans les délais prescrits permet une meilleure communication et un service rapide, selon les modalités de votre garantie, si besoin est. Vous pouvez également envoyer par courrier la carte d'enregistrement pré-imprimée qui se trouve dans l'emballage de votre appareil.

Au Canada : **[electromenagersge.ca/soutien-apres-vente](http://electromenagersge.ca/soutien-apres-vente)**

---

### Service de réparation

Un service de réparation expert GE Appliances se trouve à quelques pas de chez vous. Rendez-vous sur notre site et programmez, à votre convenance, une visite de réparation à n'importe quel jour de l'année.

Au Canada : **[electromenagersge.ca/soutien-apres-vente](http://electromenagersge.ca/soutien-apres-vente)** ou composez le 800.561.3344

---

### Prolongation de garantie

Procurez-vous une prolongation de garantie GE Appliances et informez-vous des rabais spéciaux en vigueur pendant la durée de votre garantie. Vous pouvez vous la procurer en ligne en tout temps. Les services GE Appliances seront toujours disponibles après l'expiration de la garantie.

Au Canada : **[electromenagersge.ca/achat-dune-garantie-prolongee](http://electromenagersge.ca/achat-dune-garantie-prolongee)** ou composez le 866.277.9842.

---

### Pièces et accessoires

Les personnes ayant les compétences requises pour réparer elles-mêmes leurs appareils peuvent recevoir directement à la maison des pièces ou accessoires (les cartes VISA, MasterCard et Discover sont acceptées). Commandez en ligne 24 heures par jour.

Au Canada : **[electromenagersge.ca/pièces-filtres-et-accessoires](http://electromenagersge.ca/pièces-filtres-et-accessoires)** ou composer le 800.661.1616.

**Les instructions contenues dans le présent manuel comportent des procédures que tout utilisateur peut effectuer. Les autres types de réparation doivent généralement être confiés à un technicien qualifié. Utilisez de prudence : une réparation ou un entretien mal effectués peuvent rendre l'utilisation de l'appareil dangereuse.**

---

### Communiquez avec nous

Si vous n'êtes pas satisfait du service après-vente de GE Appliances, communiquez avec nous depuis notre site Web en fournissant tous les détails dont votre numéro de téléphone, ou écrivez à :

Au Canada : Director, Customer Relations | MC Commercial Inc. | Suite 300, 5420 North Service Road | Burlington, ON L7L 6C7  
**[electromenagersge.ca/contactez-nous](http://electromenagersge.ca/contactez-nous)** ou composez le 877.994.5366





# DISPOSALL®

## Triturador de Desechos de Comida

**INFORMACIÓN DE SEGURIDAD** .....3

**USO DEL TRITURADOR**  
Alimentación Continua .....5

**CUIDADO Y LIMPIEZA** .....6

**INSTRUCCIONES DE INSTALACIÓN**  
Preparación .....7  
Componentes e Instalación .....8  
Instalación de la Brida para el Lavabo ...8  
Conexión del Lavavajillas .....9  
Adhiera del Codo de Descarga .....9  
Conexión del Triturador a la Brida del Lavabo .....10  
Dimensiones ..... 11  
Ciertas Instalaciones Típicas ..... 11

**SOLUCIÓN DE PROBLEMAS** ...12

**GARANTÍA LIMITADA** .....15

**SOPORTE PARA EL CLIENTE** ..16

### MANUAL DEL PROPIETARIO E INSTRUCCIONES DE INSTALACIÓN

- GFC320
- GFC325
- GFC520
- GFC525
- GFC720
- GFC1020

Escriba los números de modelo y de serie aquí:

Nº de Modelo \_\_\_\_\_

Nº de Serie \_\_\_\_\_

Los encontrará en una etiqueta en la parte inferior del triturador.

## **GRACIAS POR HACER QUE GE APPLIANCES SEA PARTE DE SU HOGAR.**

---

Ya sea que haya crecido usando GE Appliances, o que ésta es su primera vez, nos complace tenerlo en la familia.

Sentimos orgullo por el nivel de arte, innovación y diseño de cada uno de los electrodomésticos de GE Appliances, y creemos que usted también. Entre otras cosas, el registro de su electrodoméstico asegura que podamos entregarle información importante del producto y detalles de la garantía cuando los necesite.

Registre su electrodoméstico GE ahora a través de Internet. Sitios Web y números telefónicos útiles están disponibles en la sección de Soporte para el Consumidor de este Manual del Propietario.

También puede enviar una carta en la tarjeta de inscripción preimpresa que se incluye con el material embalado.



**GE APPLIANCES**

# INFORMACIÓN IMPORTANTE DE SEGURIDAD

## LEA TODAS LAS INSTRUCCIONES ANTES DE USAR

### ⚠ ADVERTENCIA

Para su seguridad, siga las instrucciones de este manual a fin de minimizar riesgos de incendio, explosión, descargas eléctricas, y para evitar daños en su propiedad, lesiones personales o la muerte.

### ⚠ ADVERTENCIA

**AL USAR SUS ELECTRODOMÉSTICOS, SE DEBERÁN SEGUIR PRECAUCIONES BÁSICAS DE SEGURIDAD, INCLUYENDO LO SIGUIENTE:**

- Use este electrodoméstico sólo para su propósito original, como se describe en el Manual del Propietario.
- Lea todas las instrucciones antes de usar este electrodoméstico.
- A fin de reducir el riesgo de lesiones, será necesaria una supervisión de cerca cuando se utilice un triturador cerca de los niños.
- No coloque los dedos ni las manos en un triturador de desperdicios.
- Coloque el interruptor de corriente en la posición OFF (Apagado) antes de intentar despejar un atasco o de retirar un objeto del triturador.
- Al intentar aflojar un atasco en un triturador de desperdicios, utilice un objeto largo de madera tal como una cuchara de madera o la manija de madera de una escoba o mopa.
- Al intentar retirar objetos del triturador de desperdicios, use pinzas o tenazas con manijas largas. Si el triturador es accionado de forma magnética, use herramientas no magnéticas únicamente.
- A fin de reducir el riesgo de lesiones causadas por materiales que puedan ser expulsados por un triturador de desperdicios, no coloque lo siguiente en un triturador:
  - a. Valvas de almejas u ostras
  - b. Limpiadores de drenaje cáusticos o productos similares
  - c. Vidrio, porcelana o plástico
  - d. Huesos grandes enteros
  - e. Metales, tales como tapas de botellas, latas, utensilios o papel de aluminio
  - f. Grasa caliente u otros líquidos calientes
  - g. Hojas de maíz enteras
- Cuando no utilice un triturador, deje el tapón de drenaje en su posición y reduzca el riesgo de que los objetos caigan en el triturador.
- Para acceder a instrucciones para una conexión a tierra adecuada, consulte la sección de **CONEXIÓN DE LA ELECTRICIDAD** de este manual.

## CONEXIÓN DE LA ELECTRICIDAD

Si no está familiarizado con la corriente eléctrica y sus procedimientos, comuníquese con un electricista calificado.

### ⚠ ADVERTENCIA

Una conexión inadecuada del conductor de conexión a tierra del equipo podrá producir riesgos de descargas eléctricas. Si tiene dudas de que el electrodoméstico se encuentre conectado a tierra apropiadamente, consulte a un electricista calificado o a personal del servicio. No modifique el enchufe provisto con el electrodoméstico si éste no coincide con el tomacorriente; solicite la instalación de un tomacorriente apropiado a un electricista calificado.

**Para los Modelos Equipados con Cable a Tierra:**  
**INSTRUCCIONES DE CONEXIÓN A TIERRA:** Este triturador deberá ser conectado a tierra a fin de reducir el riesgo de descargas eléctricas en caso de una falla de funcionamiento o avería. La conexión a tierra brinda un camino de menor resistencia para la corriente eléctrica. Este triturador está equipado con un cable con un conductor para la conexión a tierra del equipo y un enchufe con conexión a tierra. El enchufe deberá estar conectado a un tomacorriente instalado en forma adecuada y con conexión a tierra de acuerdo con todos los códigos y ordenanzas locales.

## LEA Y GUARDE ESTAS INSTRUCCIONES

# INFORMACIÓN IMPORTANTE DE SEGURIDAD LEA TODAS LAS INSTRUCCIONES ANTES DE USAR

## CONEXIÓN DE LA ELECTRICIDAD (Cont)

**Si no está familiarizado con la parte eléctrica y sus procedimientos, llame a un electricista calificado.**

El cable eléctrico y/ o las conexiones deben cumplir con el código National Electric, Sección 422 y/ o códigos locales y ordenanzas.

**Para modelos no equipados con un cable:**

Si su triturador no viene equipado con un cable, usted puede conectarlo de dos maneras:

1. Adhiera un cable eléctrico, de una longitud mínima de 18" y que no exceda 36". Usar la pieza GE número PM3X215.
- o
2. Conecte el triturador directamente al sistema eléctrico de la casa.

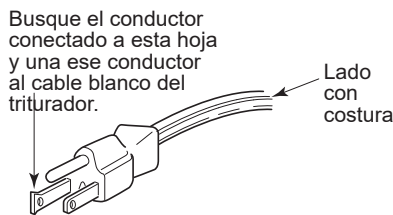
**Para conectar un cable eléctrico:**

**INSTRUCCIONES DE CONEXIÓN A TIERRA:** Este triturador deberá ser conectado a tierra a fin de reducir el riesgo de descargas eléctricas en caso de una falla de funcionamiento o avería. La conexión a tierra brinda un camino de menor resistencia para la corriente eléctrica. Este triturador está equipado con un cable con un conductor para la conexión a tierra del equipo y un enchufe con conexión a tierra. El enchufe deberá estar conectado a un tomacorriente instalado de forma adecuada y con conexión a tierra de acuerdo con todos los códigos y ordenanzas locales.

**⚠ADVERTENCIA** La conexión incorrecta del sistema de polo a tierra puede resultar en el riesgo de descarga eléctrica. Consulte con un electricista calificado o con un proveedor de servicios si tiene dudas de que el aparato esté correctamente conectado a tierra.

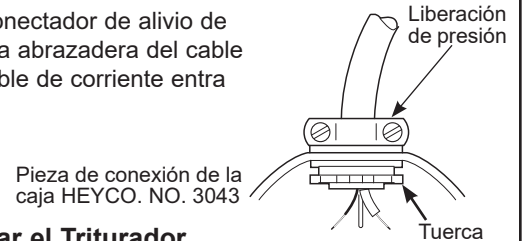
**NOTA:** Desconecte la energía eléctrica hacia el circuito del triturador antes de la instalación. Fije el interruptor del circuito en la posición de apagado (OFF) o retire el fusible.

- A. Conecte el triturador únicamente a una corriente de 110-120 voltios, 60 Hz de corriente alterna (AC).
- B. Si se utiliza un enchufe con cable, use un enchufe de tres patas. Se debe agregar una línea de tierra al tornillo de conexión a tierra en la parte inferior del triturador (campana extremo).



**NOTA:** Al ver el costado del enchufe eléctrico con el dispositivo de conexión a tierra en la parte superior, la hoja izquierda más larga se conecta con el cable identificado.

- C. Utilice un conector de alivio de presión de la abrazadera del cable donde el cable de corriente entra al triturador.



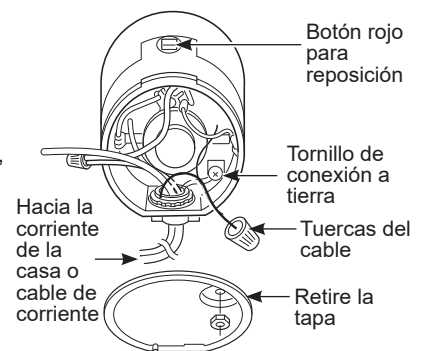
**Para Conectar el Tritrador Directamente a la Corriente de su Hogar:**

**INSTRUCCIONES DE CONEXIÓN A TIERRA:** Este triturador se debe conectar a un sistema de cableado permanente, metálico conectado a tierra, o se debe correr un conductor de conexión a tierra para equipos con los conductores del circuito y conectarse al terminal de conexión a tierra para equipos o al conductor en el aparato.

**A. Si utiliza un cable BX:**

1. Estos productos están diseñados para uso doméstico.
2. Conecte el cable blanco al conductor blanco del triturador con una tuerca para alambre. Conecte el cable negro al conductor negro del triturador con una tuerca para alambre. Conecte el cable a tierra sin forro al tornillo de conexión a tierra. El cable de conexión a tierra debe sujetarse y sostenerse con un liberador de tensión.
3. No use un conducto rígido para la conexión del cableado.
4. Debe proporcionarse un interruptor de motor aceptable exclusivo para el triturador en el momento de la instalación. El interruptor debe montarse a la vista cerca del triturador o en la abertura del fregadero para el triturador.

Si no se utiliza un cable BX, instale un cable por separado de conexión a tierra a una conexión a tierra confiable más cercana, utilizando el tornillo en la campana extremo para el cable de conexión a tierra.



- B. Si su suministro de corriente no incluye un cable de conexión a tierra, debe adquirir uno a menos que se utilice un cable metálico. Conecte firmemente un cable de cobre al tornillo de polo a tierra del triturador y conecte el otro extremo del cable a una conexión a tierra confiable. Use solamente abrazaderas de conexión a tierra aprobadas por UL. Si en su casa se utilizan tuberías de plástico, un electricista calificado debe instalar una conexión a tierra adecuada.

# LEA Y GUARDE ESTAS INSTRUCCIONES

# Uso del triturador

**ANTES DE USAR ESTE TRITURADOR, LEA TODAS LAS INSTRUCCIONES DE SEGURIDAD QUE FIGURAN EN LAS PÁGINAS 3 Y 4.**

Este triturador utiliza impulsores giratorios anti atascos que hacen un sonido de clic al balancearse en su posición. Esto indica un funcionamiento normal.

## Alimentación Continua

- A. Retire el tapón del lavabo y abra el agua fría en un flujo de nivel medio.
- B. Gire el interruptor a ON (Encendido).
- C. Raspe los restos de comida para retirarlos. A fin de acelerar el retiro de los desperdicios de comida, corte o rompa los huesos grandes, las cáscaras y elotes. Los huesos grandes y las cáscaras fibrosas requieren un tiempo considerable para ser pulverizados y es más fácil desecharlos con otros restos de basura. No se alarme si el triturador reduce su rendimiento mientras realiza el pulverizado. En realidad, el triturador está incrementando su rotación (fuerza para pulverizar) y se encuentra funcionando bajo condiciones normales.
- D. Antes de apagar el triturador, deje que el agua y el triturador estén activos durante aproximadamente 25 segundos una vez que la trituración haya finalizado. Esto asegura que todos los desperdicios sean descargados a través del colector y del drenaje.
- E. No use agua caliente mientras el dispensador está en funcionamiento. El agua fría mantendrá los desperdicios de comida y los sólidos con grasa, de modo que puedan ser descargados por el drenaje.

## Consejos Útiles

- A. Asegúrese de que el dispensador esté vacío antes de usar el lavavajillas, de modo que el drenaje pueda ser realizado de forma correcta.
- B. Se recomienda que el tapón se encuentre en el drenaje cuando no esté en uso, a fin de evitar que los utensilios y otros objetos caigan en el triturador.
- C. El triturador posee una construcción robusta para brindarle muchos años de uso sin la necesidad de acceder al servicio técnico. Puede triturar todos los desperdicios de comida normales – PERO no pulverizará ni desechará ítems tales como latas, botellas o tapas de botellas, vidrio, porcelana, cuero, tela, loza, goma, cuerdas, plumas o valvas de almejas u ostras. Estos son materiales desechables y deberán ser arrojados al cesto de basura o al compactador de basura.
- D. PARA ACELERAR LA ELIMINACIÓN DE RESTOS DE COMIDA: Corte o rompa los huesos largos, cáscaras de melón, cáscaras de pomelo y mazorcas de maíz. Los ítems tales como huesos grandes, cáscaras fibrosas como la lima, cápsulas de granos y cáscaras de maíz, requieren un tiempo de corte considerable. Por esta razón, es posible que prefiera colocarlos en el cesto de basura o en el compactador de basura.

## Cuidado y limpieza

---

**EL MOTOR ES LUBRICADO DE FORMA PERMANENTE Y DE POR VIDA. NO INTENTE LUBRICAR EL TRITURADOR.** El triturador cuenta con limpieza automática y realiza un fregado luego de cada uso.

- NUNCA coloque soda cáustica ni limpiadores químicos en el triturador, ya que podrán ocasionar una corrosión grave en las partes metálicas.
- Su triturador se encuentra equipado con un protector contra salpicaduras extraíble para una fácil limpieza o reemplazo. Retire el protector contra salpicaduras, empujando el mismo hacia afuera desde la parte superior. Para realizar su reemplazo, inserte la brida para el lavabo y empuje hacia abajo hasta que quede correctamente insertado.
- Si se produce olor, pase cáscaras de naranja o limón a través del triturador. También funcionará el uso de una docena de cubos de hielo rociados con polvo de limpieza.

# Instrucciones de instalación

# Triturador

Si tiene alguna pregunta, llame GE Appliances a 833-4BODEWELL (833-426-3393) o visite nuestro sitio Web en: [GEAppliances.com](http://GEAppliances.com)

## ANTES DE EMPEZAR

Lea estas instrucciones completa y cuidadosamente.

## PARA SU SEGURIDAD

Lea y cumpla con todas las **ADVERTENCIAS** y **PRECAUCIONES** que figuran en estas instrucciones.

Al realizar las instalaciones descritas en este manual, se deberán usar guantes y anteojos o gafas de seguridad.

**IMPORTANTE** – Observe todos los códigos y órdenes de ley.

- Guarde estas instrucciones para uso del inspector local.
- **Nota al instalador**– Asegúrese de dejar estas instrucciones con el consumidor.
- **Nota al consumidor**– Conserve estas instrucciones para referencia futura.
- **Nivel de destreza** – La instalación de este aparato requiere de destrezas mecánicas básicas.
- **Tiempo de ejecución** – 1 hora
- La instalación apropiada es la responsabilidad del instalador.
- La falla del producto debido a una instalación inadecuada no está cubierta por la garantía.

## ⚠ ADVERTENCIA

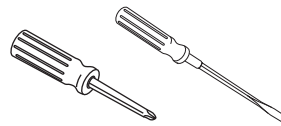
- **PARA SEGURIDAD PERSONAL:** Quite el fusible o abra el interruptor de circuitos antes de comenzar la instalación. No utilice un cable de extensión o un enchufe adaptador con este artefacto.
- **PARA SU SEGURIDAD:** No posicione su cabeza o su cuerpo debajo del triturador; la unidad podrá caer durante el retiro o la instalación.
- La conexión inadecuada del conductor de conexión a tierra del equipamiento puede provocar un riesgo de descarga eléctrica. Consulte a un electricista calificado o representante de servicio técnico si tiene dudas sobre la correcta conexión a tierra del aparato.
- Si el cableado doméstico no cuenta con un cable de 2 hilos con conexión a tierra, un instalador debe realizar una conexión a tierra. Cuando el cableado doméstico es de aluminio, asegúrese de usar un compuesto antioxidante y conectores de aluminio a cobre aprobados por UL.

## PREPARACIÓN

1. Desconecte el suministro del cable eléctrico hacia el triturador.
2. Remueva el triturador viejo o la ensambladura de la brida del lavaplatos.
3. Inspeccione la línea de drenaje. Si la línea de drenaje se encuentra muy cubierta con grasa endurecida y acumulaciones, serpenteo con una serpiente de plomero.
4. Remueva los materiales de sellado viejos y los pedazos de juntas de la abertura del lavaplatos, tanto arriba como abajo.

**NOTA:** Las superficies superiores e inferiores del lavaplatos deben estar libres de materiales para prevenir fugas.

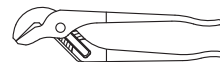
## QUÉ NECESITA



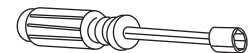
- Destornillador de estrella y con hoja plana



- Martillo



- Alicates de cierre de canal, de juntas deslizantes



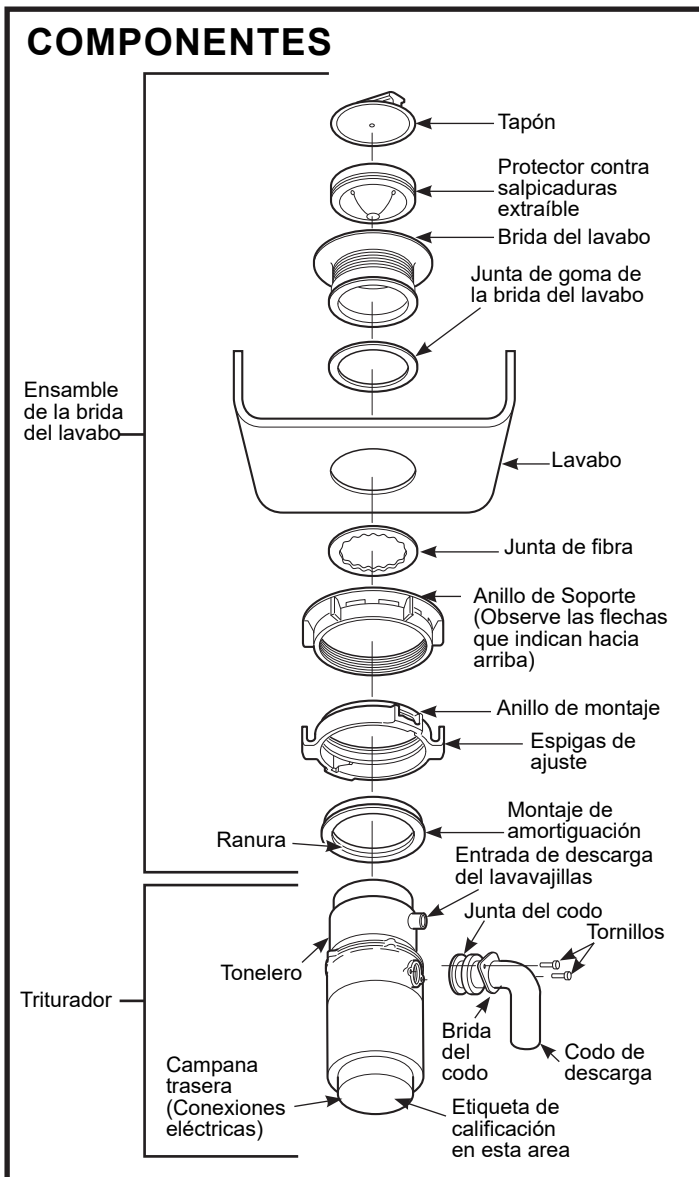
- Llave

## MATERIALES ADICIONALES QUE USTED PODRÍA NECESITAR

- Punzón de acero o clavija de madera
- Petrolato o jabón líquido
- Abrazadera de manguera
- Conector de drenaje para lavadora de platos
- Llave de tubos ajustable
- Masilla de plomero (para sellado del lavaplatos)
- Adaptador de drenaje de caucho escalonado
- Tuercas de alambre
- Cable conector
- Tubería de drenaje flexible
- Kit del cable eléctrico (Parte No. PM3X215)

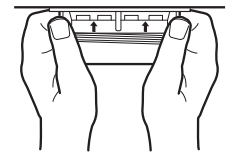
# Instrucciones para la instalación

## COMPONENTES E INSTALACIÓN



**NOTA:** Preste especial atención al orden de las partes de la brida del lavabo, ya que fueron ensambladas de forma correcta en la fábrica.

- Desensamble la brida del lavabo desde el triturador, girando el anillo de montaje hacia la izquierda (en sentido horario) y retire la misma.
- Levante el anillo de montaje hacia la parte superior de la brida del lavabo. Retire la Montaje de Amortiguación y el anillo de montaje. Es posible que desee practicar la instalación de la goma de montaje en este punto, antes de estar debajo del lavabo.
- Desenrosque el anillo de soporte de la brida del lavabo y retire la junta de fibra. Ahora tiene la brida del lavabo y la junta de goma.
- La junta de goma es usada en lugar de masilla de plomería en los lavabos de acero inoxidable. Algunos lavabos de hierro fundido requieren masilla.**
- Si no se usa masilla, inserte la brida del lavabo a través de la junta de goma dentro de la abertura del lavabo. No gire la brida una vez colocada.
- Si usará masilla en lugar de la junta, forme un anillo alrededor de la parte inferior de la brida del lavabo. Inserte la brida en la abertura del lavabo, y presione hacia abajo con fuerza para expulsar el exceso de masilla. Desde abajo del lavabo, recorte el exceso de masilla descargado en el extremo inferior de la abertura del lavabo.

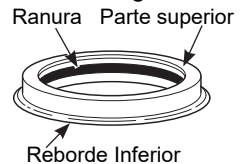


Ajuste la brida del lavabo de forma manual

- Desde abajo del lavabo, deslice la junta de fibra por la brida del lavabo expuesta. Con las flechas hacia arriba, atornille el anillo de soporte en la brida del lavabo y realice un ajuste manual hasta que la brida del lavabo no se mueva. En este punto, es recomendable insertar el tapón en el lavabo y llenar el mismo con agua a fin de controlar el sellado de la brida del lavabo y asegurar que no haya pérdidas.



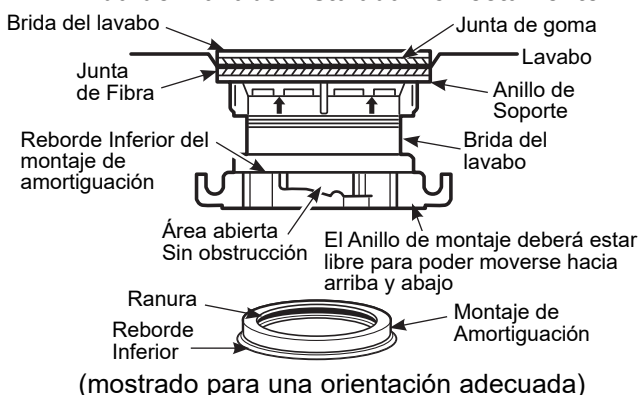
Detalle del Montaje de Amortiguación



- Coloque el anillo de montaje sobre la brida del lavabo y mantenga el mismo en su posición mientras instala el Montaje de Amortiguación (el lado largo hacia abajo). Asegúrese de que la ranura que se encuentra dentro del Montaje de Amortiguación calce sobre el borde de la brida del lavabo, como si se colocara la tapa en un contenedor de plástico. Pase los dedos por todo el Montaje de Amortiguación ejerciendo una presión leve. No presione con demasiada fuerza. Cuando el Montaje de Amortiguación esté correctamente colocado, el anillo de montaje podrá ser empujado hacia abajo sobre la goma de montaje y estará libre para girar.

## INSTALACIÓN EN LA BRIDA DEL LAVABO (Leer en su totalidad antes de comenzar.)

### Brida del Lavabo Instalada Correctamente





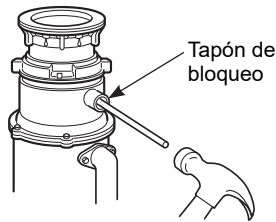
# Instrucciones para la instalación

## CONEXIÓN DEL LAVAVAJILLAS (SI ES NECESARIO)

Si realizará la conexión a un lavavajillas, complete el siguiente paso. Si no se conectará un lavavajillas, vaya a “Adhesión del Codo de Descarga” a continuación.

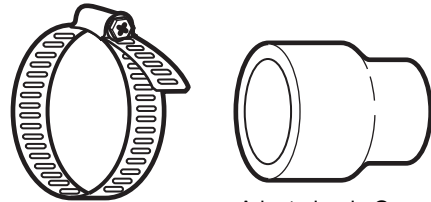
### 1 TAPÓN DE BLOQUEO

Usando un instrumento sin filo (punzón de acero o clavija de madera), arrastre todo el tapón. No use un destornillador o un instrumento filoso. Cuando el tapón de bloqueo caiga en el dispensador, podrá retirarlo o simplemente pulverizarlo cuando el triturador se encuentre en uso. Esto no dañará el triturador de ninguna forma, pero es posible que lleve cierta cantidad de tiempo pulverizar el mismo, a lo largo de varios usos.



### 2 CONECTE LA MANGUERA

Conecte la manguera del lavavajillas usando una abrazadera de manguera. Si el tamaño de la manguera es diferente, necesitará un adaptador de goma de doble tamaño.



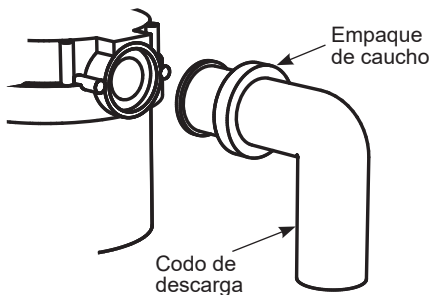
Abrazadera de la Manguera

Adaptador de Goma de Doble Tamaño

## ADHIERA EL CODO DE DESCARGA

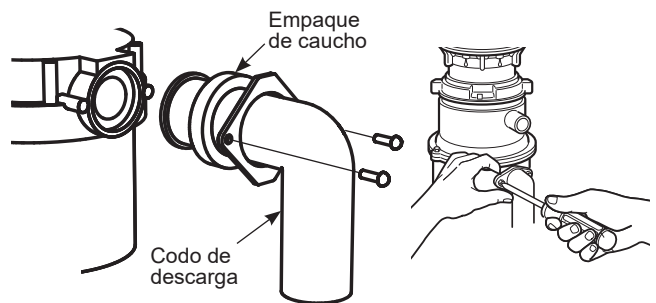
### 1 CONECTE LA JUNTA DE CAUCHO

Deslice la junta de caucho sobre el codo de drenaje.



### 2 CONECTE EL CODO DE DESCARGA\*

Conecte el codo de descarga al triturador.\*\* Asegúrese de que todas las conexiones de la tubería estén apretadas.



\* El codo de descarga debe ser instalado por un profesional.

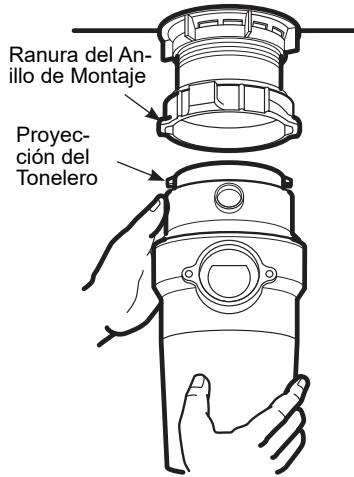
\*\* Algunas instalaciones (ver la página 11 para ejemplos) puede que requieran el uso de una tubería de drenaje flexible.

# Instrucciones para la instalación

## CONEXIÓN DEL TRITURADOR A LA BRIDA DEL LAVABO

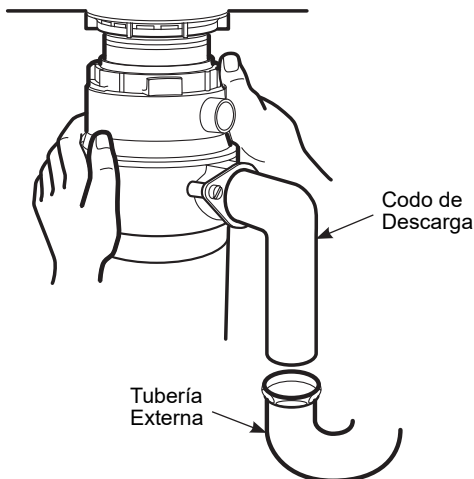
### 1 ADHESIÓN A LA BRIDA DEL LAVABO

Alinee el triturador debajo de la brida del lavabo. Guíe las proyecciones del tonelero en las ranuras del anillo de montaje. Gire el anillo de montaje aproximadamente  $\frac{1}{4}$ " hacia la derecha, de modo que el triturador cuente con un sostén temporario.



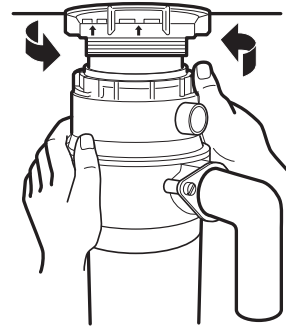
### 2 ALINEAR CON LA TUBERÍA DE SALIDA

Gire el anillo de montaje y el triturador hasta que el codo de descarga del triturador se alinee con la tubería de salida (consulte la página 11).

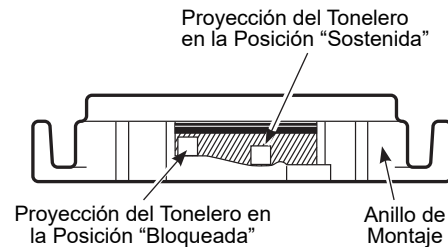


### 3 BLOQUEO DE ANILLO DE MONTAJE

Gire el anillo de montaje hacia la derecha hasta que quede completamente ajustado. Las proyecciones del tonelero deberán estar hacia el extremo derecho de las ranuras de montaje. Si es difícil girar el anillo de montaje, usted podrá agregar una pequeña cantidad de vaselina o de jabón líquido a la proyección del tonelero. Deje correr agua y controle que no haya pérdidas.



#### Detalle del Bloqueo

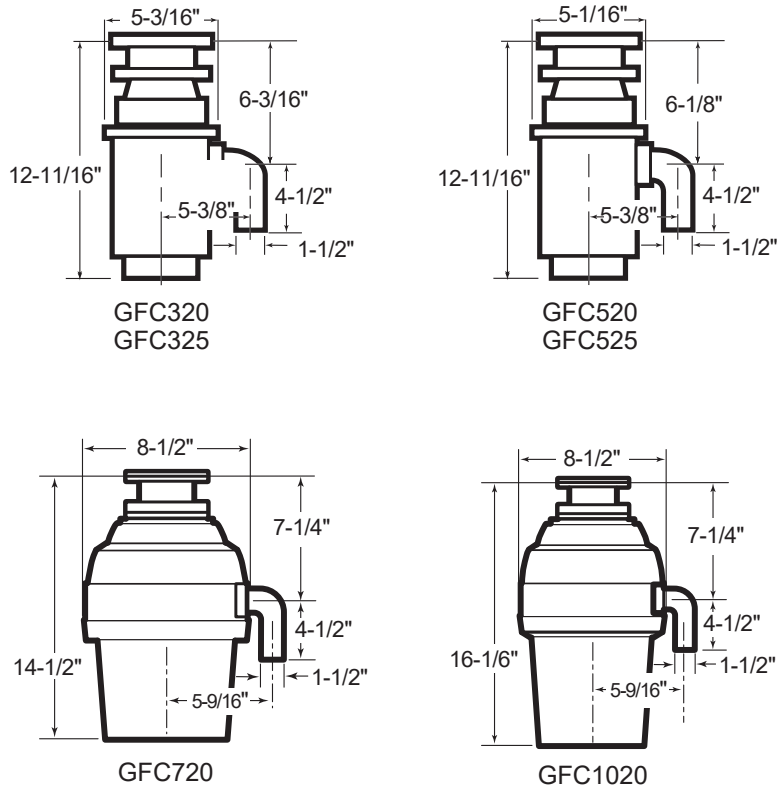


### 4 CONTROL DE PÉRDIDAS

Controle que no haya pérdidas en la unidad durante 24 horas luego de su instalación y durante el primer uso.

# Instrucciones para la instalación

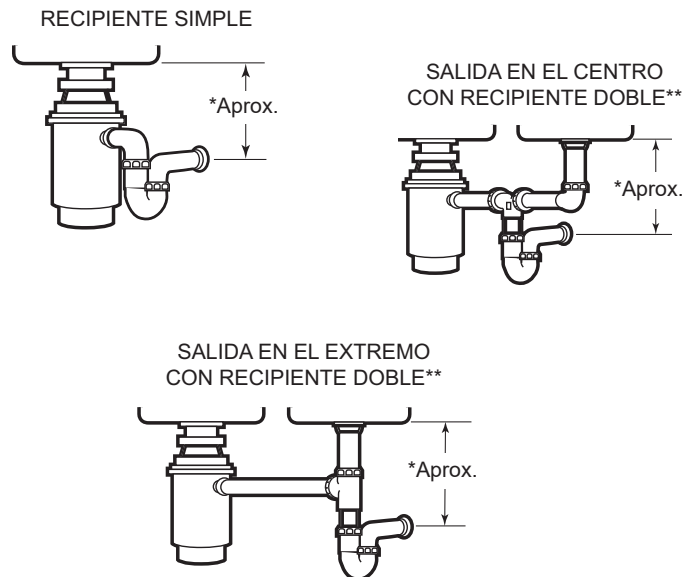
## DIMENSIONES



## CIERTAS INSTALACIONES TÍPICAS

**NOTA:** Para lograr una operación del triturador apropiada, es esencial que esta dimensión sea 9"–12". dependiendo de los modelos enumerados anteriormente, para evitar agua estancada en el alojamiento del motor del triturador.

\*\*Una tubería de drenaje flexible podría ser necesaria para esta aplicación.



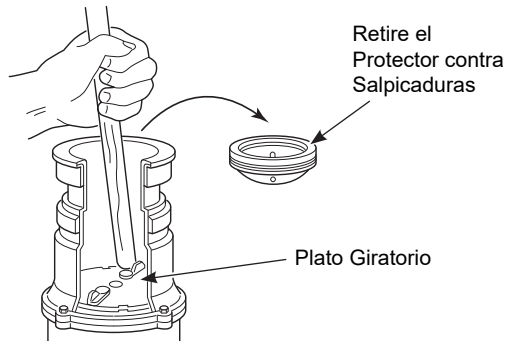
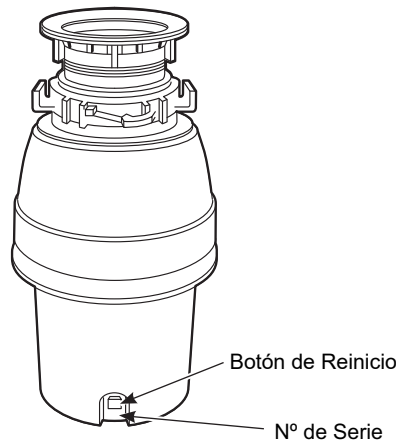
## Consejos para la Solución de Problemas... Antes de solicitar el servicio técnico

¡Ahorre tiempo y dinero! Primero revise los cuadros que aparecen en las siguientes páginas y es posible que no necesite solicitar reparaciones.

**NOTA SOBRE SEGURIDAD:** Antes de investigar, usted deberá desconectar el suministro de corriente.

**⚠ ADVERTENCIA** Antes de realizar la reconfiguración, desconecte el suministro de corriente – por favor consulte la NOTA SOBRE SEGURIDAD anterior. El control de sobrecarga evita que el motor funcione en caso de sobrecarga. Esta función protege el cableado de su hogar y su triturador. Cuando se encuentre sobrecargado, el motor se detendrá automáticamente.

Problema	Causa Posible	Qué Hacer
Ruidos fuertes (diferentes a aquellos producidos al pulverizar huesos y semillas de frutas)	Elementos de la vajilla, una tapa de botella u otros objetos externos cayeron en la trituradora.	Retire el objeto con tenazas largas.
El triturador no se inicia	El botón de reinicio fue activado.	Una vez retirado el protector contra salpicaduras*, controle que el plato giratorio se mueva libremente usando el mango de una escoba. Si el plato giratorio se mueve libremente, reemplace el protector contra salpicaduras* y controle el botón de reinicio para verificar si fue activado. El botón de reinicio es rojo y está ubicado en la posición opuesta al codo de descarga, cerca de la parte inferior del triturador. Presione el botón hasta que haga clic y permanezca oprimido. Si el botón de reinicio no fue activado, controle que ninguno de los cables conectados al triturador esté en corto o roto. Controle el interruptor del encendido eléctrico, de la caja de fusibles o del disyuntor. Si el cableado y los componentes eléctricos están intactos, es posible que la unidad presente problemas internos que requieran el servicio técnico o su reemplazo.
	El plato giratorio no puede rotar.	Si el plato giratorio no gira libremente, controle que no haya ningún objeto alojado entre el plato giratorio y el anillo para pulverizar. Retire el objeto moviendo el plato giratorio con el mango de una escoba. Luego retire el objeto.  De no haber ningún objeto presente, es posible que haya problemas internos.
Pérdida en el Triturador	Si la pérdida se encuentra en la parte superior, podrá haber sido causada por: <ol style="list-style-type: none"> <li>1. Colocación incorrecta de la brida del lavabo (elección de la junta, masilla o ajuste).</li> <li>2. El anillo de soporte no está correctamente ajustado.</li> <li>3. Montaje de Amortiguación defectuoso</li> </ol> Si la pérdida se encuentra en el codo de descarga, es posible que haya sido causada por un ajuste inadecuado de los tornillos de la brida del codo.	







# Garantía Limitada del Triturador de GE Appliances

**GARANTÍA LIMITADA**

## GEAppliances.com

Todo el servicio de garantía es provisto por nuestros Centros de Servicio de Fabricación, o un técnico autorizado de Servicio al Cliente (Customer Care®). Para programar una visita del servicio técnico, visítenos a través de Internet en **GEAppliances.com/service**, o llame GE Appliances al 833-4BODEWELL (833-426-3393). Cuando llame para solicitar el servicio, tenga los números de serie y modelo disponibles.

### Garantía para los modelos GFC320, GFC325, GFC520 y GFC525 únicamente:

Por el Período de	GE Appliances decidirá reparar o reemplazar
<b>Siete Años</b> Desde la fecha de compra original	El producto que falle debido a un defecto en los materiales o la fabricación. La unidad de reemplazo posee garantía por el resto del período de la garantía original de siete años sobre el producto. GE Appliances no es responsable por costos de instalación relacionados con el producto de reemplazo.

### Garantía para los modelos GFC720 y GFC1020 únicamente:

Por el Período de	GE Appliances decidirá reparar o reemplazar
<b>Diez Años</b> Desde la fecha de compra original	El producto que falle debido a un defecto en los materiales o la fabricación. La unidad de reemplazo posee garantía por el resto del período de la garantía original de diez años sobre el producto. GE Appliances no es responsable por costos de instalación relacionados con el producto de reemplazo.

### Qué No Cubrirá GE Appliances:

- Viajes del personal de servicio a su casa para enseñarle cómo usar su producto.
- Instalación, entrega o mantenimiento inapropiada.
- Fallas del producto si es maltratado, mal usado, o usado para un propósito diferente del que se creó o si es usado para usos comerciales.
- Cambio de los fusibles de su casa o reajuste del circuito de interruptores.
- Productos sin defectos o rotos, o los cuales se encuentran funcionando como se indica en el Manual del propietario.
- Daños al producto causados por accidentes, incendios, inundaciones o actos de la naturaleza.
- Daños imprevistos resultantes causados por posibles defectos con este electrodoméstico.
- Defectos o daños debido a la puesta en funcionamiento a temperaturas de congelación.
- Daños causados después del envío.
- Producto no accesible para facilitar el servicio requerido.

### EXCLUSIÓN DE GARANTÍAS IMPLÍCITAS

Su única y exclusiva alternativa es la reparación del producto, como se indica en la Garantía Limitada. Las garantías implícitas, incluyendo garantías implícitas de comerciabilidad o conveniencia sobre un propósito particular, se limitan a un año o al período más corto permitido por la ley.

Esta garantía limitada se extiende al comprador original y a cualquier propietario subsecuente para productos comprados para uso doméstico dentro Estados Unidos. Si el producto está situado en un área que no dispone de servicio por parte de un proveedor de servicio autorizado de GE Appliances, podría tener que hacerse cargo de los costes de envío o bien podría solicitársele que lleve el producto a un centro de servicio de GE Appliances autorizado para realizar la reparación. En Alaska, la garantía limitada excluye el costo de envío o las visitas de servicio a su casa.

Algunos estados no permiten la exclusión o limitación de daños imprevistos. Esta garantía limitada le da sus derechos legales específicos, y es posible que usted tenga otros derechos legales que varían de estado a estado. Para informarse de cuáles son sus derechos legales, consulte a su oficina de asuntos del consumidor local o estatal o póngase en contacto con la Oficina de su Procurador General.

**Garante: GE Appliances, a Haier company, Louisville, KY 40225**

Abroche su recibo aquí. Para acceder al servicio técnico de acuerdo con la garantía deberá contar con la prueba de la fecha original de compra.

# Soporte para el cliente

---

## Sitio Web de GE Appliances

¿Desea realizar una consulta o necesita ayuda con su electrodoméstico? ¡Intente a través del Sitio Web de GE Appliances las 24 horas del día, cualquier día del año! Usted también puede comprar más electrodomésticos maravillosos de GE Appliances y aprovechar todos nuestros servicios de soporte a través de Internet, diseñados para su conveniencia. [GEAppliances.com](http://GEAppliances.com)

---

## Registre su Electrodoméstico

¡Registre su electrodoméstico nuevo a través de Internet, según su conveniencia! Un registro puntual de su producto permitirá una mejor comunicación y un servicio más puntual de acuerdo con los términos de su garantía, en caso de surgir la necesidad. También puede enviar una carta en la tarjeta de inscripción preimpresa que se incluye con el material embalado. [GEAppliances.com/register](http://GEAppliances.com/register)

---

## Servicio Programado

El servicio de reparación de expertos de GE Appliances está a sólo un paso de su puerta. Conéctese a través de Internet y programe su servicio a su conveniencia cualquier día del año.

[GEAppliances.com/service](http://GEAppliances.com/service)

o comuníquese al 833-4BODEWELL (833-426-3393) durante el horario de atención comercial.

---

## Garantías Extendidas

Adquiera una garantía extendida de GE Appliances y conozca los descuentos especiales que están disponibles mientras su garantía aún está vigente. La puede adquirir en cualquier momento a través de Internet. Los servicios de GE Appliances aún estarán allí cuando su garantía caduque.

[GEAppliances.com/extended-warranty](http://GEAppliances.com/extended-warranty)

o comuníquese al 800.626.2224 durante el horario de atención comercial.

---

## Piezas y Accesorios

Aquellos individuos calificados para realizar el servicio técnico de sus propios electrodomésticos podrán solicitar el envío de piezas o accesorios directamente a sus hogares (se aceptan las tarjetas VISA, MasterCard y Discover). Ordene hoy a través de Internet durante las 24 horas, todos los días. [GEApplianceparts.com](http://GEApplianceparts.com) o de forma telefónica al 877.959.8688 durante el horario de atención comercial.

**Las instrucciones que figuran en este manual cubren los procedimientos que serán realizados por cualquier usuario. Otros servicios técnicos generalmente deben ser derivados a personal calificado del servicio. Se deberá tener cuidado, ya que una reparación indebida podrá hacer que el funcionamiento no sea seguro.**

---

## Contáctenos

Si no se encuentra satisfecho con el servicio que recibió de GE Appliances, comuníquese con nosotros a través de nuestro sitio Web con todos los detalles, incluyendo su número telefónico, o escriba a:

General Manager, Customer Relations | GE Appliances, Appliance Park | Louisville, KY 40225

[GEAppliances.com/contact](http://GEAppliances.com/contact) o comuníquese al 800.626.2000