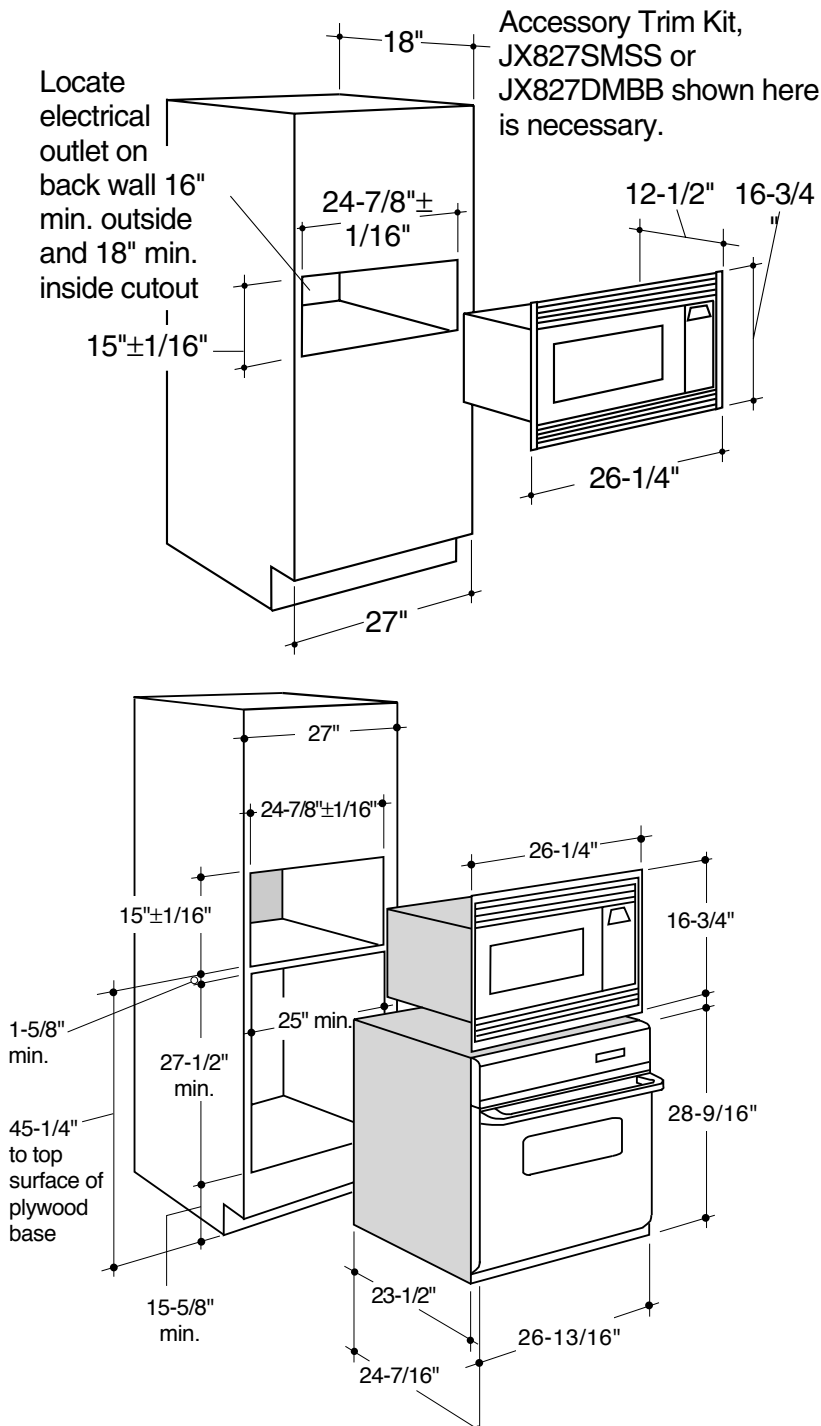




**Monogram.**

## ZEM200SF/BF – GE Monogram Microwave Oven

### Dimensions and Specifications (in inches)



#### Product Dimensions:

**H** 11-3/16"  
**W** 23-25/32"  
**D** 12-9/32"

#### Cutout Dimensions:

**H** 15" ± 1/16"  
**W** 24-7/8"  
**D** 16" - 18"

#### Accessory Kits:

JX827SMSS or JX827DMBB is required for in-cabinet installation of Models ZEM200SF and ZEM200BF.

**Note:** When installed, trim kit will require wall space 26-1/4"W x 16-3/4"H for clearance.

**Installation Option includes:** ZEM200SF or ZEM200BF microwave oven built-in with a JX827SMSS or JX827DMBB trim kit above a Monogram 27" single wall oven.

This Monogram microwave oven requires a 120 volt, 60Hz power supply, protected by a time delay fuse or circuit breaker.

ZEM200 oven is supplied with a power cord 57" long for which a properly grounded 3-prong electrical receptacle is required.

800 watt oven ZEM200 draws 1360 watts, with a 13 amp load.



Listed by  
Underwriters  
Laboratories

For answers to your Monogram® GE Profile™ or GE appliance questions, visit our website at [GEAppliances.com](http://GEAppliances.com) or call GE Answer Center® service, 800.626.2000.

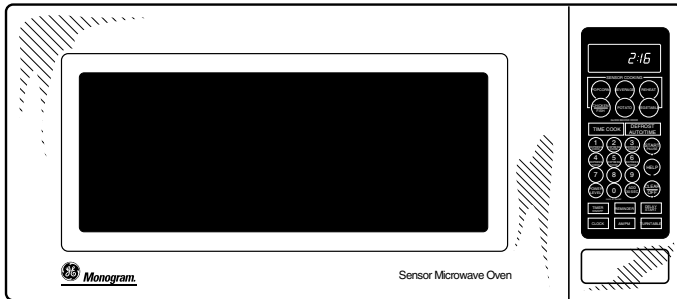
Specification Revised 11/08

140017



**Monogram.**

## ZEM200SF/BF – GE Monogram Microwave Oven



### Features and Benefits

- 1.0 cu. ft. Oven Cavity
- 800 Watts\*
- Electronic Touchpads/Controls
- Express Cook With Instant On Controls
- Electronic Digital Display With Clock
- Sensor Cooking Controls for Popcorn, Beverage, Reheat and Cook Pads
- Micro Cook I & II
- Auto Defrost/Time Defrost
- Add 30 Seconds
- Delay/Start Reminder
- 10 Power Levels
- Undercabinet Hanging Kit Included
- Built-In Kit Available for 27" Wide Cabinet
- Model ZEM200SF – Stainless steel
- Model ZEM200BF – Black on black

\*IEC-705 Test Procedure