

Installation Instructions

If you have questions, call 800.626.2000 or visit our website at: www.monogram.com

Built-In Dishwashers

ZBD6800
ZBD6880
ZBD6890*
ZBD0700*
ZBD0710

Design Guide with
Installation Instructions

*For ZBD6890 and ZBD0700 also refer
to the instructions provided on the
template packed with that model.



Monogram®

Safety Information

BEFORE YOU BEGIN

Read these instructions completely and carefully.

- **IMPORTANT** — Save these instructions for local inspector's use. Observe all governing codes and ordinances.
- **Note to Installer** — Be sure to leave these instructions with the Consumer.
- **Note to Consumer** — Keep these instructions with your Owner's Manual for future reference.
- **Skill Level** — Installation of this dishwasher requires basic mechanical and electrical skills. **Proper installation is the responsibility of the installer. Product failure due to improper installation is not covered under the GE Appliance Warranty.**
- **Completion Time — 1 to 3 Hours.**
New installations require more time than replacement installations.

• **IMPORTANT** — The dishwasher **MUST** be installed to allow for future removal from the enclosure if service is required.

If you received a damaged dishwasher, you should immediately contact your dealer or builder.

**READ CAREFULLY.
KEEP THESE INSTRUCTIONS.**

FOR YOUR SAFETY

Read and observe all **CAUTION** and **WARNINGS** shown throughout these instructions.

While performing installations described in this booklet, gloves, safety glasses or goggles should be worn.

For Monogram local service in your area, 1.800.444.1845.
For Monogram service in Canada 1.888.880.3030
For Monogram Parts and Accessories, call 1.800.626.2002.

CONTENTS

Installation Preparation

Parts Supplied	3
Materials You Will Need	3
Tools You Will Need	3
Models Available	4
Advance Planning	4
Prepare Dishwasher Enclosure	4
Drain Requirements	5
Prepare Electrical Wiring	6
Prepare Hot Water Line.....	7

Installation Instructions

Step 1, Check Door Balance.....	7
Step 2, Remove Wood Base, Install Leveling Legs	8
Step 3, Remove ToeKick	8
Step 4, Install Power Cord	8

Step 5, Install 90° Elbow	8
Step 6, Position Water Line and House Wiring	9
Step 7, Install Drain Hose, Guide Through Cabinet	9
Step 8, Slide Dishwasher Partially Into Cabinet	9
Step 9, Install Trim Pieces.....	9
Step 10, Position Dishwasher Under Countertop	10
Step 11, Level Dishwasher	11
Step 12, Secure Dishwasher To Cabinet	12
Step 13, Connect Water Supply	13
Step 14, Connect Drain Line	13
Step 15, Connect Power Supply.....	14
Step 16, Pre-Test Check List.....	14
Step 17, Dishwasher Wet Test	15
Step 18, Replace Toekick	15
Step 19, Literature	15

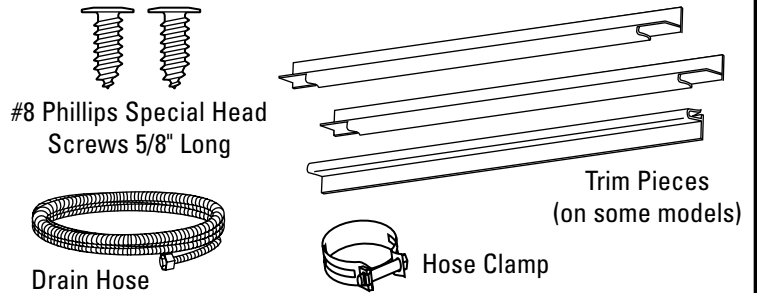
Custom Panel Dimensions

Custom Panel for Models ZBD6890, ZBD0700.....	15
---	----

Installation Preparation

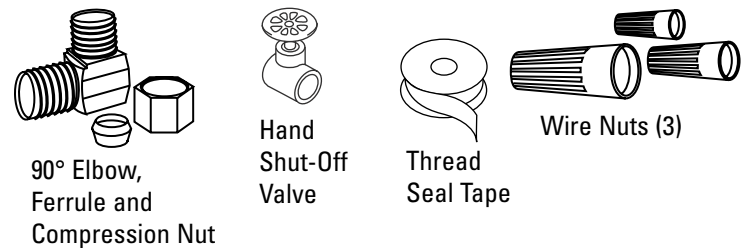
PARTS SUPPLIED:

- Two #8-18 x 5/8" Phillips special head screws, to secure dishwasher to underside of countertop or sides of cabinets. (Taped to top side of dishwasher.)
- Side and top trim pieces (on some models)
- Template with mounting hardware (not shown) for Model ZBD6890 Only
- Drain Hose and Hose Clamp



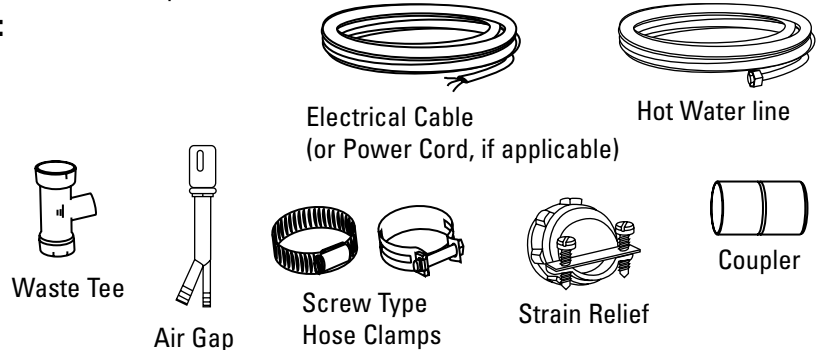
MATERIALS YOU WILL NEED:

- Ferrule, compression nut and 90° Elbow (3/8" NPT external thread on one end, opposite end sized to fit water supply)
- Thread seal tape
- UL Listed wire nuts (3)



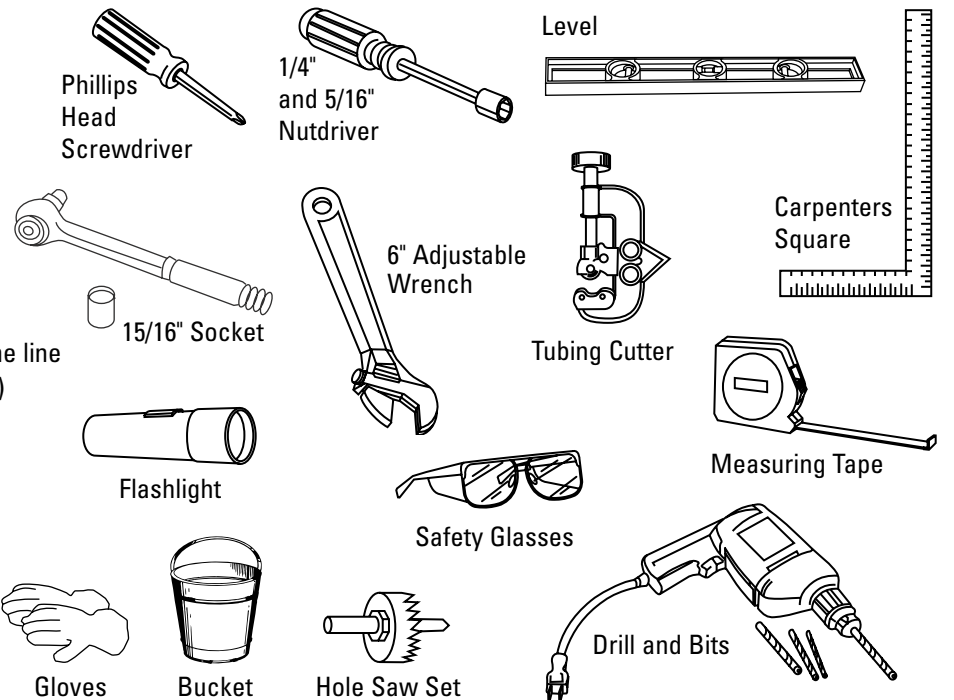
Materials For New Installations Only:

- Air gap for drain hose, if required
- Waste tee for house plumbing, if applicable
- Electrical cable or power cord, if applicable
- Screw type hose clamps
- Strain relief for electrical connection
- Hand shut-off valve
- Water line 3/8" min. copper
- Coupler for extending drain line, if applicable



TOOLS YOU WILL NEED:

- Phillips head screwdriver
- 5/16" and 1/4" nutdriver
- 6" Adjustable wrench
- Level
- Carpenters square
- Measuring tape
- Safety glasses
- Flashlight
- Bucket to catch water when flushing the line
- 15/16" socket (optional for skid removal)
- Gloves



For New Installations Only:

- Tubing cutter
- Drill and appropriate bits
- Hole saw set

Installation Preparation

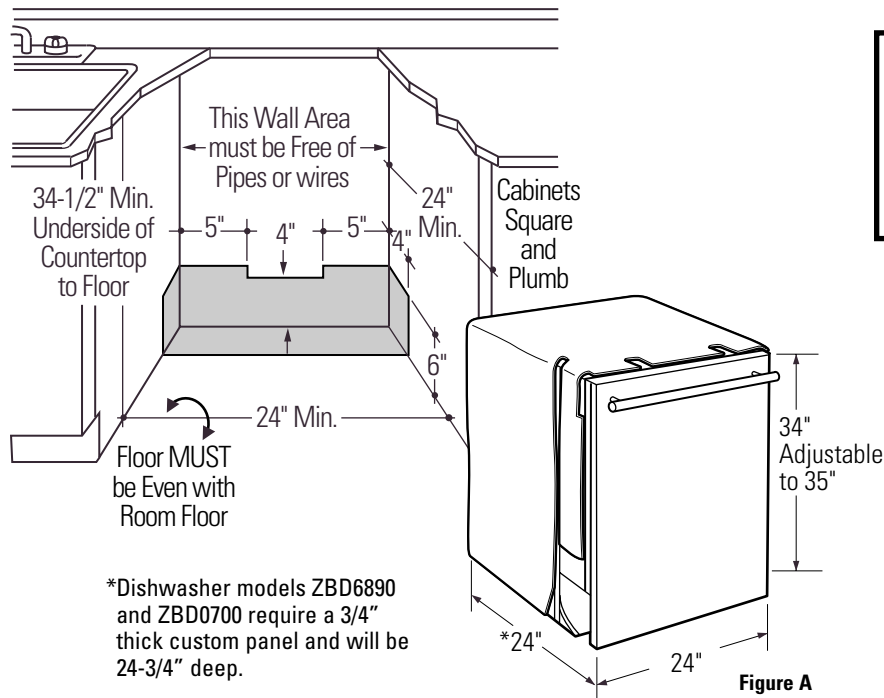
ADVANCE PLANNING

- These dishwashers are designed for versatility, adaptable to virtually any installation.
- All models have a full length door without the traditional access panel.
- These dishwashers may be installed beneath countertops of stone or other materials that will not accept screws. No trim kit required.

DISHWASHER MODELS

ZBD0710 SS, Stainless Steel
 ZBD6880 SS, Stainless Steel
 ZBD6800 BB, Black
 ZBD6800 WW, White
 ZBD6890 Requires a 3/4" custom panel and handle
 ZBD0700 Requires a 3/4" custom panel and handle

PREPARE DISHWASHER ENCLOSURE

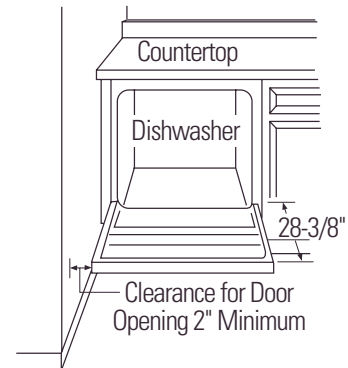


- The rough cabinet opening must be at least 24" deep, 24" wide and approximately 34-1/2" high from floor to underside of the countertop.
- Plumbing and electrical service must enter the shaded area.
- The dishwasher must be installed so that drain hose is no more than 10 feet in length for proper drainage.

⚠ WARNING

To reduce the risk of electric shock, fire, or injury to persons, the installer must ensure that the dishwasher is completely enclosed at the time of installation.

Figure B



CLEARANCES: When installed into a corner, allow 2" min. clearance between dishwasher and adjacent cabinet, wall or other appliances. Allow 28-3/8" min. clearance from the front of the dishwasher for door opening (Figure B).

Installation Preparation

DRAIN REQUIREMENTS

- Follow local codes and ordinances.
- Do not exceed 10 feet distance to drain.
- Do not connect drain lines from other devices to the dishwasher drain hose.

NOTE: An air gap must be used, if waste tee or disposer connection is less than 18" above floor to prevent siphoning.

DETERMINE DRAIN METHOD

The type of drain installation depends on the following question.

- Do local codes or ordinances require an air gap?
- Is waste tee less than 18" above floor?

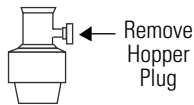
If the answer to either question is YES, Method 1 MUST be used.

- If the answers are NO, either method may be used.

CABINET PREPARATION

- Drill a 1-1/2" dia. hole in the cabinet wall within the shaded areas shown in Figure A for the drain hose connection. The hole should be smooth with no sharp edges.

IMPORTANT — When connecting drain line to disposer, check to be sure that drain plug has been removed. **DISHWASHER WILL NOT DRAIN IF PLUG IS LEFT IN PLACE.**



Method 1—Air Gap with Waste Tee or Disposer

An air gap must be used when required by local codes and ordinances. The air gap must be installed according to manufacturers instructions.

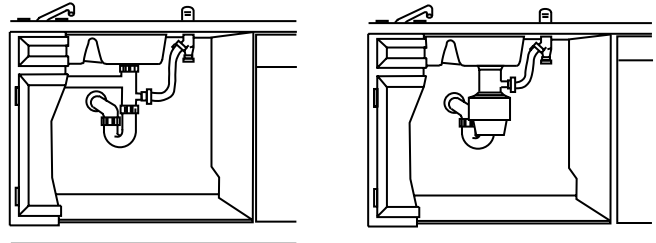


Figure C

Method 2—"High Drain Loop" with Waste Tee or Disposer

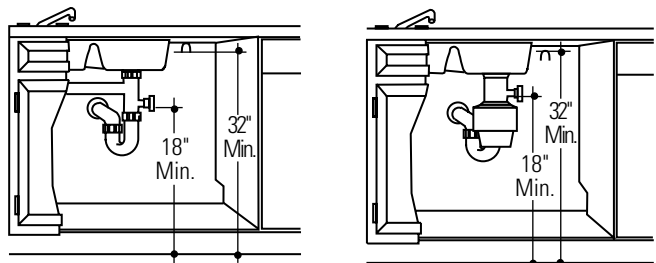


Figure D

Installation Preparation

PREPARE ELECTRICAL WIRING



WARNING

FOR PERSONAL SAFETY: Remove house fuse or open circuit breaker before beginning installation. Do not use an extension cord or adapter plug with this appliance.

Electrical Requirements

- This appliance must be supplied with 120V, 60 Hz., and connected to an individual properly grounded branch circuit, protected by a 15 or 20 ampere circuit breaker or time delay fuse.
- Wiring must be 2-wire with ground and rated for 75°C (176°F).
- If the electrical supply does not meet the above requirements, call a licensed electrician before proceeding.

Grounding Instructions—Cable Direct

This appliance must be connected to a grounded metal, permanent wiring system, or an equipment grounding conductor must be run with the circuit conductors and be connected to the equipment grounding terminal or lead on the appliance.

Grounding Instructions—Power Cord Models

This appliance must be grounded. In the event of a malfunction or breakdown, grounding will reduce the risk of electric shock by providing a path of least resistance for electric current. This appliance is equipped with a cord having an equipment grounding conductor and a grounding plug. The plug must be plugged into an appropriate outlet that is installed and grounded in accordance with all local codes and ordinances.



WARNING

The improper connection of the equipment grounding conductor can result in a risk of electric shock. Check with a qualified electrician or service representative if you are in doubt that the appliance is properly grounded.

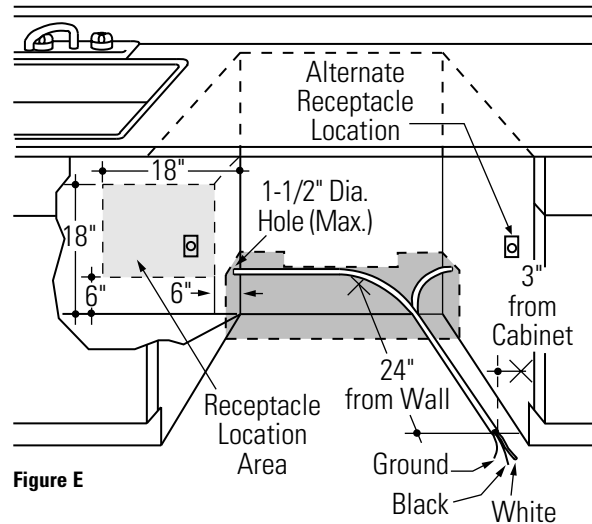


Figure E

For models equipped with power cord: Do not modify the plug provided with the appliance; if it will not fit the outlet, have a proper outlet installed by a qualified technician.

Cabinet Preparation and Wire Routing

- The wiring may enter the opening from either side, rear or the floor within the shaded area.
- Cut a 1-1/2" max. dia. hole to admit the electrical cable. Cable direct connections may pass through the same hole as the drain hose and hot water line, if convenient. If cabinet wall is metal, the hole edge must be covered with a bushing.

NOTE: Power cords with plug must pass through a separate hole.

Electrical Connection to Dishwasher

Electrical connection is on the right front of dishwasher.

- For cable direct connections the cable must be routed as shown in Figure E. Cable must extend a minimum of 24" from the rear wall.
- For power cord connections, install a 3-prong grounding type receptacle in the sink cabinet rear wall, 6" min. or 18" max. from the opening, 6" to 18" above the floor.

Installation Instructions

PREPARE HOT WATER LINE

- The line may enter from either side, rear or floor within the shaded area shown in Figure F.
- The line may pass through the same hole as the electrical cable and drain hose. Or, cut an additional 1-1/2" dia. hole to accommodate the water line. If power cord with plug is used, water line must not pass through power cord hole.

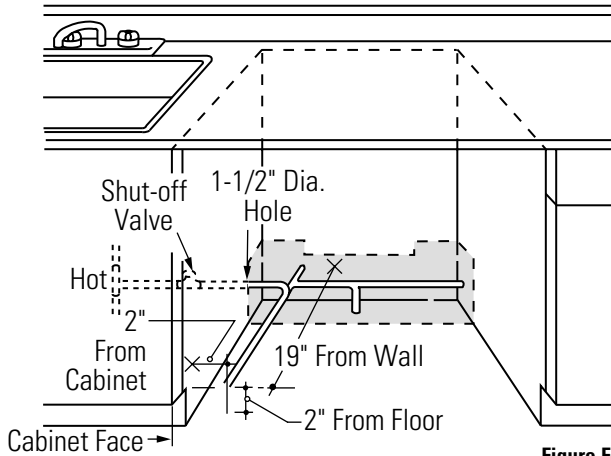


Figure F

Water Line Connection

- Turn off the water supply.
- Install a hand shut-off valve in an accessible location, such as under the sink. (Optional, but strongly recommended and may be required by local codes.)
- Water connection is on the left side of the dishwasher. Install the hot water inlet line, using no less than 3/8" O.D. copper tubing. Route the line as shown in Figure F and extend forward at least 19" from rear wall.
- Adjust water heater for 120°F to 150°F temperature.
- Flush water line to clean out debris.
- The hot water supply line pressure must be 20-120 PSI.



CAUTION

Do not remove wood base until you are ready to install the dishwasher. The dishwasher will tip over when the door is opened if the wood base is removed.



BEFORE YOU BEGIN

Locate and set aside (for use in Step 12) the 2 Phillips special head screws wrapped with yellow tape and stuck to the top or side of the dishwasher. Remove drain hose from upper rack, if it has not been pre-installed, and set aside for use in Step 7.

STEP 1 CHECK DOOR BALANCE

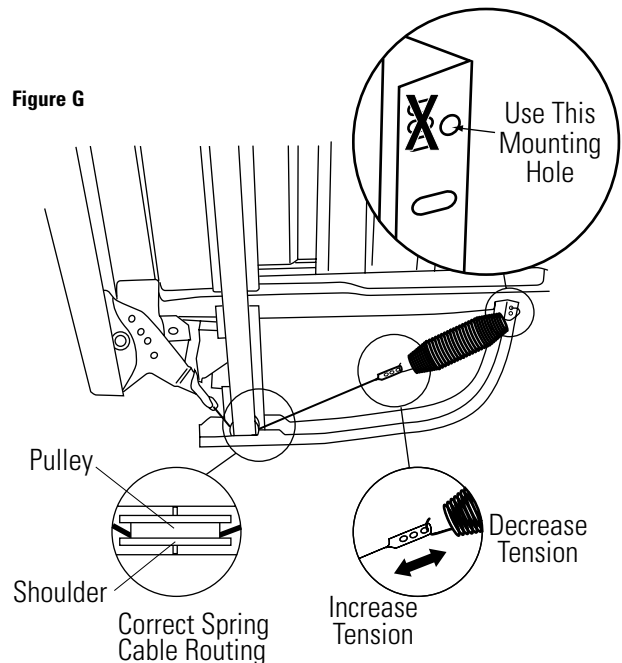
- With dishwasher on the wood skid, check the door balance by opening and closing the door.
- If the door drops when released, increase the spring tension. If the door rises when released, decrease the tension.

NOTE: The addition of the custom panel on model ZBD6890 will require exchange of the factory installed springs. Use the heavy-duty springs provided. See the custom panel template for additional instructions.

- Position the spring for increased or decreased tension as required.

NOTE: Adjust both balance springs to the same amount of tension to prevent excessive door twisting during use.

Figure G



TIP: If door does not open easily or falls too quickly, check the spring cable routing. Check that the cable is properly aligned on the pulley (as shown).

Installation Instructions

STEP 2 REMOVE WOOD BASE, INSTALL LEVELING LEGS

IMPORTANT — Do not kick off wood base! Damage will occur.

- Move the dishwasher close to the installation location and lay it on its back.
- Remove the four leveling legs on the underside of the wood base with an adjustable wrench or 15/16" socket.
- Discard base.

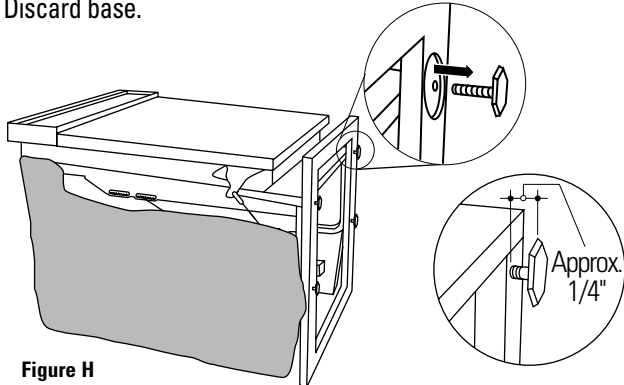


Figure H

- Screw leveling legs back into the dishwasher frame, approximately 1/4" from frame as shown.

STEP 3 REMOVE TOEKICK

- Remove the two toekick screws.

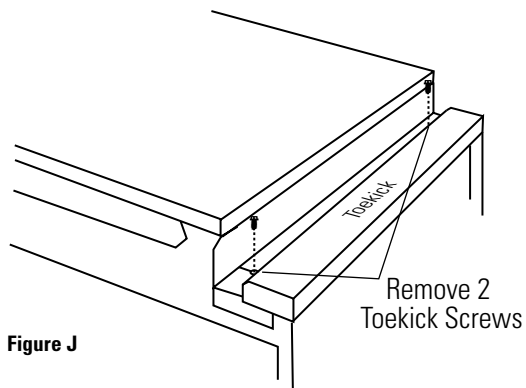


Figure J

STEP 4 INSTALL POWER CORD

Use Power Cord Kit WX09X70910 available for purchase from an authorized GE Appliances dealer.

Skip this step if dishwasher will be direct wired or has a factory installed power cord.

The power cord and connections must comply with the National Electrical Code, Section 422 and/or local codes and ordinances.

- Maximum power cord length is 4 feet beyond the back of the dishwasher.

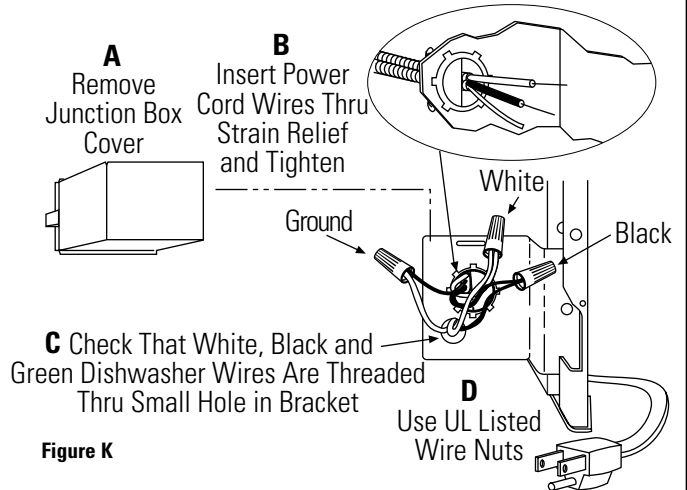


Figure K

- Connect incoming power cord white (or ribbed) to dishwasher white, black (or smooth) to black and ground to dishwasher green wire. Use UL listed wire nuts of appropriate size.
- Replace junction box cover. Be sure wires are not pinched under the cover.

STEP 5 INSTALL 90° ELBOW

- Wrap 90° elbow with thread seal tape.
- Install a 90° elbow onto the water valve.

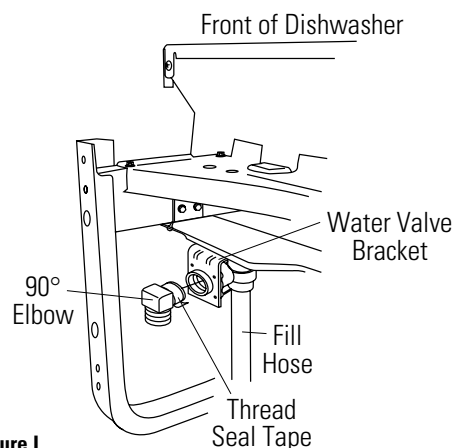


Figure L

- Do not overtighten 90° elbow, water valve bracket could bend or water valve fitting could break.
- Position the end of the elbow to face the rear of the dishwasher.

Installation Instructions

STEP 6 POSITION WATER LINE AND HOUSING WIRING

- Position water supply line and house wiring on the floor of the opening to avoid interference with base of dishwasher and components under dishwasher.

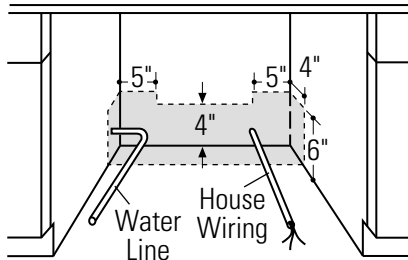


Figure M

STEP 7 INSTALL DRAIN HOSE, GUIDE THROUGH CABINET

- Remove tape and wire tie holding the clamp to the drain hose. **Be careful not to damage the drain hose.**
- Stand the dishwasher upright.
- Slip the supplied hose clamp over the large end of the hose. Do not tighten.

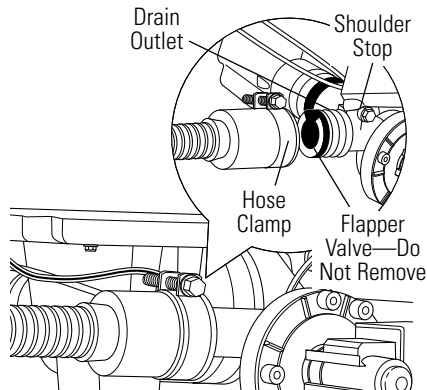


Figure N

- Push hose over the drain outlet on the back side of the dishwasher. See illustration. Push the hose over the outlet and against the shoulder stop.
- Tighten the hose clamp with a 1/4" nut driver.

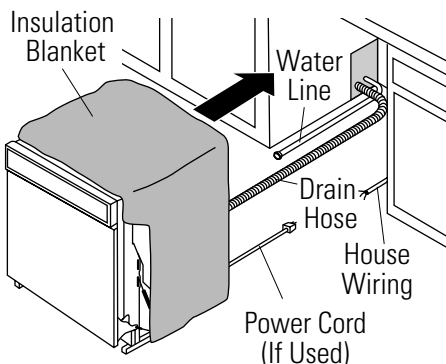


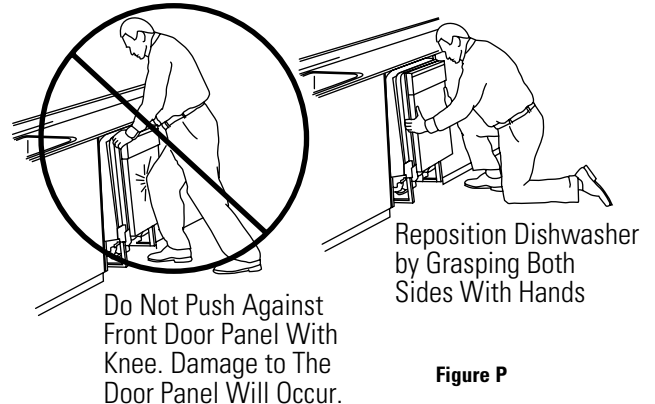
Figure O

- Position the dishwasher in front of the opening. Insert drain hose into the cabinet side. If power cord is used, guide the end through a separate hole.

STEP 8 SLIDE DISHWASHER PARTIALLY INTO CABINET

DO NOT PUSH AGAINST FRONT PANEL WITH KNEES. DAMAGE WILL OCCUR.

- Slide dishwasher into the opening a few inches at a time.



Do Not Push Against Front Door Panel With Knee. Damage to The Door Panel Will Occur.

Reposition Dishwasher by Grasping Both Sides With Hands

Figure P

- As you proceed, pull the drain hose through the opening under the sink. Stop pushing when the dishwasher is a few inches forward of adjacent cabinetry.
- Make sure drain hose is not kinked under the dishwasher and there is no interference with the water line and wiring or any other component.

STEP 9 INSTALL TRIM PIECES

Skip this step if trim is not supplied with the dishwasher.

- Locate trim strips inside dishwasher.
- Press trim onto the tub flange on each side. Start with the top edge, pressing on as you move towards the bottom.
- Press the two top trim pieces on each side of the latch.
- Open and close the door to check that trim does not bind and does not interfere with door latch.

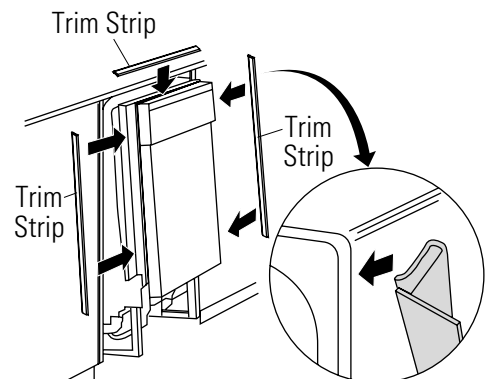


Figure Q

Installation Instructions

STEP 10 POSITION DISHWASHER UNDER COUNTERTOP

- Push the dishwasher into the cabinet.
- Push at the sides with your hands. Do not use your knee against the door since door damage will occur.
- Check that the tub insulation blanket does not get “bunched-up” or interfere with the springs as you slide it into the cabinet.
- Center the dishwasher in the opening.
- Check that the edges of the dishwasher door are behind the cabinet frame and aligned with the front face of the cabinet as shown.
- Carefully open and close the door to ensure that the door panel does not catch or rub on the cabinet frame.
- If the door catches or rubs on the frame, reposition and/or level the unit (see Step 11) until the door moves freely and does not contact the cabinet frame.

The controls are designed to be hidden by your countertop. Align the dishwasher as shown in Figure T.

NOTE: If the drain hose gets trapped between the wall and the back side of the dishwasher, it can prevent the dishwasher from sliding all the way back into the cabinet opening, and thus preventing a flush fit with the kitchen cabinet panels.

TIP: For best appearance installations of custom panel models, it may be necessary to cut off the back panel of the tub insulation blanket so that the dishwasher door panel can be aligned flush with the kitchen cabinet panels.

The leveling legs can be used to increase or decrease the amount of gap between the controls and the countertop affecting the visibility of the controls. Leave a 1/2" minimum gap between the underside of the countertop and the top of the dishwasher door (see Figure V).

IMPORTANT — Leave a 1/2" minimum gap between the controls and the underside of the countertop to prevent condensation and damage to the control panel from screwheads.

NOTE: If this dishwasher is replacing an existing dishwasher, the old countertop bracket screw holes may not be in the correct position to accept a top control model. New holes may be required.

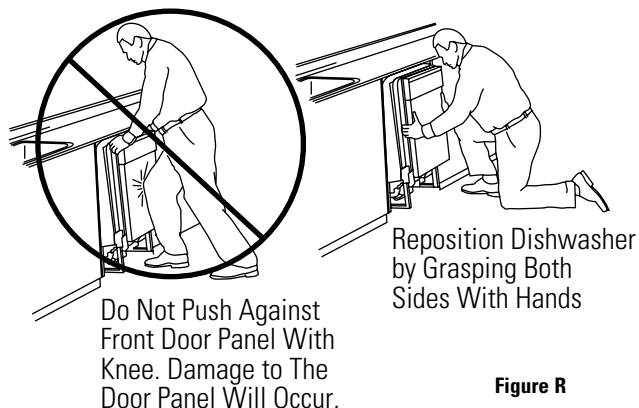


Figure R

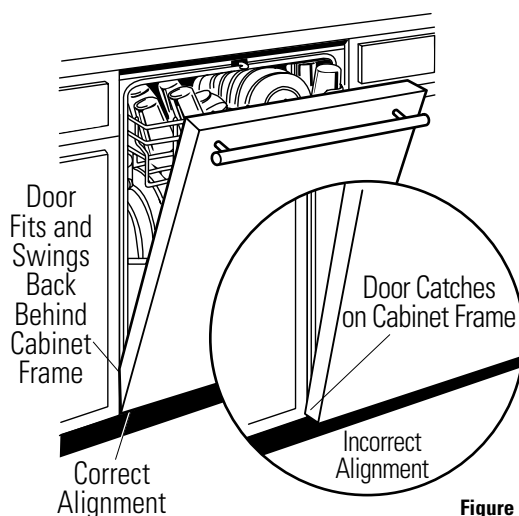


Figure S

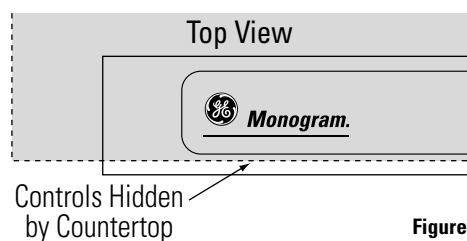


Figure T

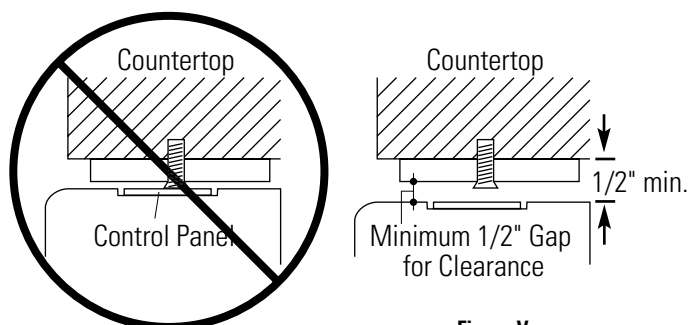


Figure V

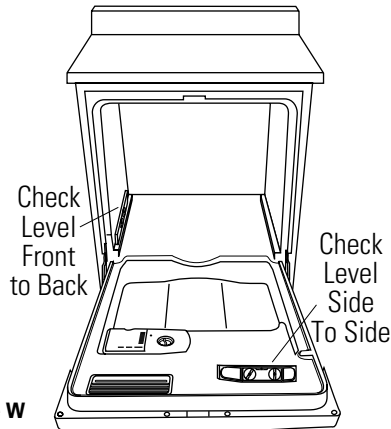
Figure U

Installation Instructions

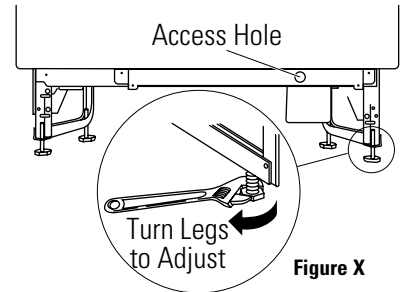
STEP 11 LEVEL DISHWASHER

IMPORTANT — Dishwasher must be level for proper dish rack operation and wash performance.

- Place level on door and rack track inside the tub as shown to check that the dishwasher is level.



- Level the dishwasher by adjusting the four leveling legs individually.
- Make sure 1/2" minimum gap is maintained (see Figure V).
- If adjustment to the right rear leveling leg is required, gain access by loosening junction box bracket screw (through the access hole) and rotate bracket clockwise.



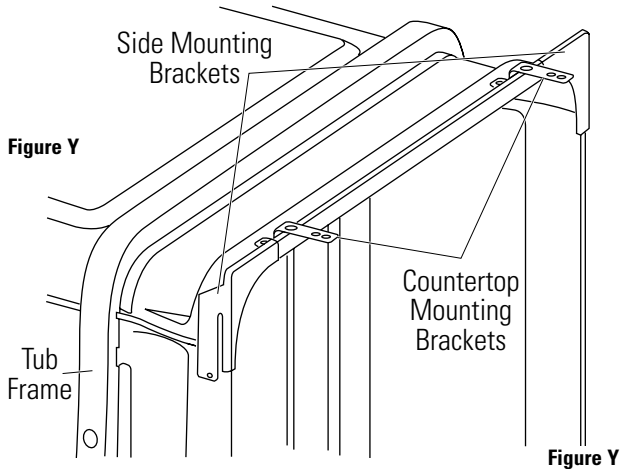
- TIP:** Pull lower rack out, about halfway. Check to be sure the rack does not roll forward or back into dishwasher. If the rack rolls in either direction, the dishwasher must be leveled again.
- If the door hits the tub, the dishwasher is not installed correctly. Adjust leveling legs to align door to tub.

Installation Instructions

STEP 12 SECURE DISHWASHER TO CABINET

The dishwasher must be secured to the countertop or the cabinet sides. When countertops are made of wood, use Method 1. When countertops are granite or other materials that will not accept screws, use Method 2 to secure dishwasher at the sides.

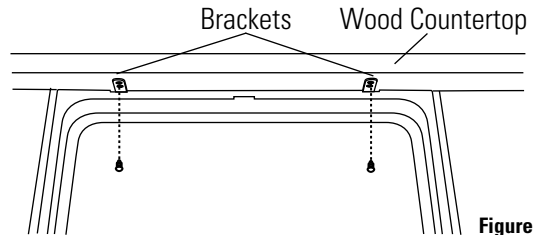
IMPORTANT — After leveling, verify that the dishwasher is still in the correct position shown in Step 10.



IMPORTANT — Drive screws straight and flush. Protruding screw heads will scratch the top or sides of the control panel and can interfere with door closing.

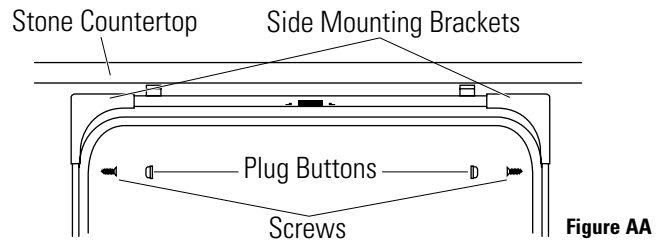
Method 1—Secure dishwasher to wood countertop

- Fasten the dishwasher to the underside of the countertop with 2 Phillips screws provided.

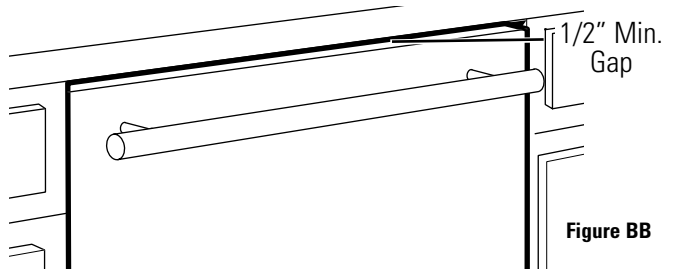


Method 2—Secure dishwasher with side mounting brackets

- Remove plug buttons (one on each side).
- Install screw through the hole in the side of the dishwasher and into the adjacent cabinet. Reinstall plug buttons.



Both Methods—Maintain 1/2" Gap



Installation Instructions

STEP 13 CONNECT WATER SUPPLY

Connect water supply line to 90° elbow.

- Slide compression nut, then ferrule over end of water line.
- Insert water line into 90° elbow.
- Slide ferrule against elbow and secure with compression nut.

IMPORTANT — Check to be sure that door spring does not rub or contact the fill hose or water supply line. Test by opening and closing the door. Re-route the lines if a rubbing noise or interference occurs.

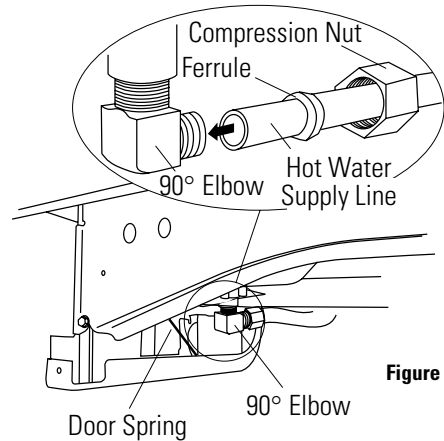


Figure CC

STEP 14 CONNECT DRAIN LINE

FOLLOW ALL LOCAL CODES AND ORDINANCES.

The drain hose molded end will fit 5/8" or 1" diameter connections on the air gap, waste tee or disposer. Cut on the marked line as required for your installation.

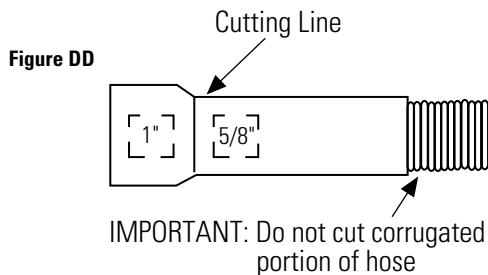


Figure DD

- If a longer drain hose is required, add up to 42" of length for a total of 10 ft. to the factory installed hose. Use 5/8" or 7/8" inside diameter hose and a coupler to connect the two hose ends. Secure the connection with hose clamps.

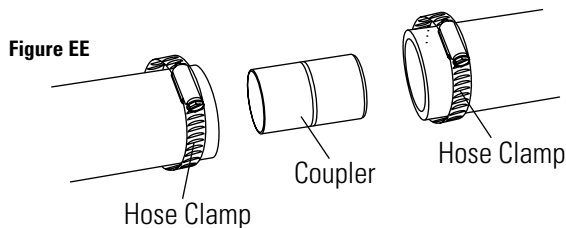


Figure EE

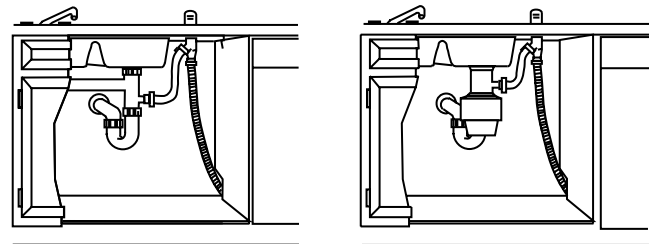
- Secure the drain hose to the air gap, waste tee or disposer with clamps.

NOTE: TOTAL DRAIN HOSE LENGTH MUST NOT EXCEED 10 FEET FOR PROPER DRAIN OPERATION.

DRAIN LINE INSTALLATION

- Connect drain line to air gap, waste tee or disposer using either previously determined method.

Method 1—Air gap with waste tee or disposer

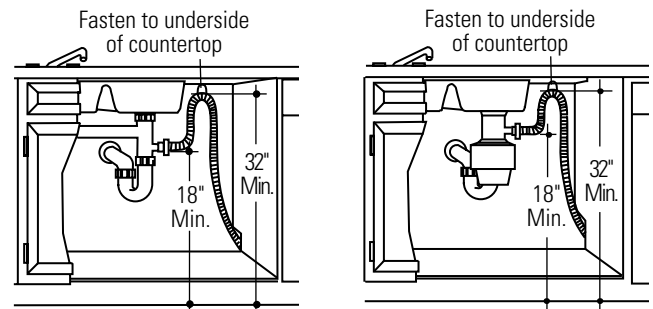


Waste Tee Installation

Disposer Installation

Figure FF

Method 2—"High drain loop" with waste tee or disposer

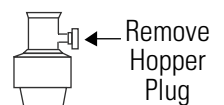


Waste Tee Installation

Disposer Installation

Figure GG

IMPORTANT — When connecting drain line to disposer, check to be sure that drain plug has been removed. **DISHWASHER WILL NOT DRAIN IF PLUG IS LEFT IN PLACE.**



TIP: Avoid unnecessary service call charges. Always be sure disposer drain plug has been removed before attaching dishwasher drain hose to the disposer.

Installation Instructions

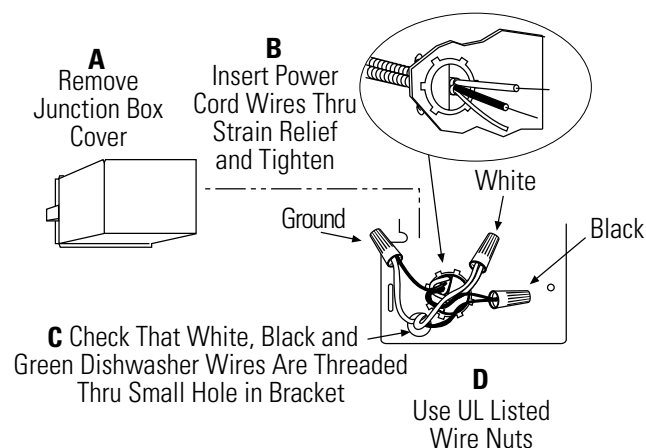
STEP 15 CONNECT POWER SUPPLY

Skip this step if equipped with power cord.
Go to step 16.

Verify that power is turned off at the source.

Verify that power is turned off at the source.

- Remove junction box cover "A".
- Secure house wiring to the back of the junction box with a strain relief "B".
- Locate the three dishwasher wires, (white, black and green) with stripped ends. Insert dishwasher wires through the small hole in the junction box "C". Use wire nuts to connect incoming ground to green, white to white and black to black "D".
- Replace junction box cover "E". Check to be sure that wires are not pinched under the cover.



E Replace Junction Box Cover

Figure HH



WARNING

If house wiring is not 2-wire with ground, a ground must be provided by the installer. When house wiring is aluminum, be sure to use UL Listed anti-oxidant compound and aluminum-to-copper connectors.

STEP 16 PRE-TEST CHECK LIST

Review this list after installing your dishwasher to avoid charges for a service call that is not covered by your warranty.

- Check to be sure power is OFF.
- Open door and remove all foam and paper packaging.
- Locate the Owner's Manual in the literature package.
- Read the Owner's Manual for operating instructions.
- Check door opening and closing. If door does not open and close freely or tends to fall, check spring cable routing and spring adjustments. See Step 1.
- Check to be sure that wiring is secure under the dishwasher, not pinched or in contact with door springs or other components. See Steps 8 and 10.
- Check door alignment with tub. If door hits tub, level dishwasher. See Step 11.
- Pull lower rack out, about half way. Check to be sure it does not roll back or forward on the door. If the rack moves, adjust leveling legs. See Step 11.
- Check door alignment with cabinet. If door hits cabinet, reposition or relevel dishwasher. See Steps 10, 11 and 12.
- Check that door spring does not contact water line, fill hose, wiring or other components. See Step 13.
- Verify water supply and drain lines are not kinked or in contact with other components. Contact with motor or dishwasher frame could cause noise. See Steps 6 and 8.
- Turn on the sink hot water faucet and verify water temperature. Incoming water temperature must be between 120°F and 150°F. A minimum of 120°F temperature is required for best wash performance. See "Prepare Hot Water Line," page 7.
- Add 2 quarts of water to the bottom of the dishwasher to lubricate the pump seal.
- Turn on water supply. Check for leaks. Tighten connections if needed.
- Remove protective film if present from the control panel and door.

Installation Instructions/Custom Panel Dimensions

STEP 17 DISHWASHER WET TEST

- Turn on power supply (or plug power cord into outlet, if equipped).
- Start the unit to check for leaks.
 - Push RINSE ONLY pad.
 - Push START/RESET pad one time.
 - Close door.
- Check to be sure that water enters the dishwasher. If water does not enter the dishwasher, check to be sure that water and power are turned on.
- Check for leaks under the dishwasher. If a leak is found, turn power supply off, then tighten connections. Restore power after leak is corrected.
- Check for leaks around the door. A leak around the door could be caused by door rubbing or hitting against adjacent cabinetry. Reposition the dishwasher if necessary. See Step 12.
- The dishwasher will drain and turn off about 5 minutes after it was started. Check drain lines. If leaks are found, turn power off at the breaker and correct plumbing as necessary. Restore power after corrections are made. See Step 15.
- Open dishwasher door and make sure most of the water has drained. If not, check that disposer plug has been removed and/or air gap is not plugged. See Step 14. Also check drain line for kinking.
- Run the dishwasher through another "Rinse Only" cycle. Check for leaks and correct if required.

STEP 18 REPLACE TOEKICK

- Place toekick against the legs of the dishwasher.

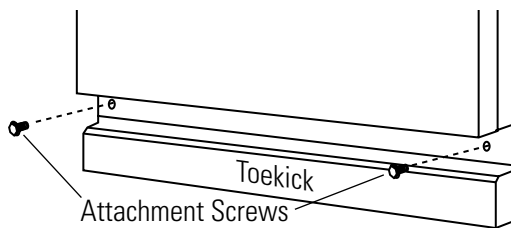


Figure II

- Align the toekick with the bottom edge and make sure it is against the floor.
- Insert and tighten the two toekick attachment screws. The toekick should stay in contact with the floor.

TIP: Make sure toekick is against floor to minimize noise.

STEP 19 LITERATURE

- Be sure to leave complete literature package and installation instructions with the consumer.

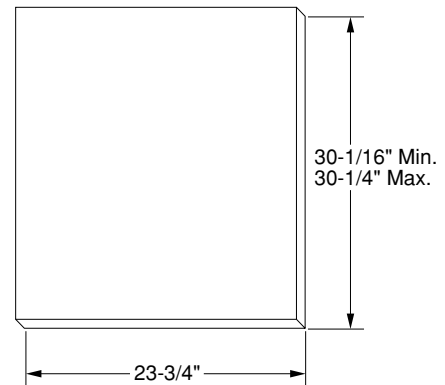
CUSTOM PANEL FOR MODEL ZBD6890, ZBD0700

These dishwashers require a field installed 3/4" thick custom panel and custom handle. An installation template is packed with these models and may be obtained in advance. Order Pub. No. 31-30569-1. Complete panel installation instructions are included on the template.

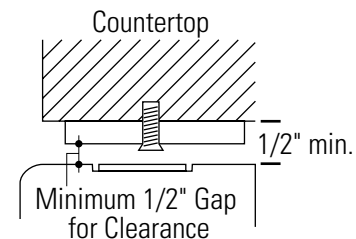
CUSTOM PANEL SIZE REQUIREMENTS

HEIGHT

Panel height must be between 30-1/16" and 30-1/4".



- If the panel height is more than 30-1/4" it will prevent the door from swinging open.
- If the panel height is less than 30-1/16" it will not cover the dishwasher door frame.
- The top of the custom panel must be flush with the top of the door. The 1/2" minimum gap between the top of the door and the bottom of the countertop must be maintained.



WIDTH

Panel width must be 23-3/4".

- If the panel width is less than 23-3/4" it will not cover the dishwasher frame.

IMPORTANT: To ensure optimum door balance performance, the custom panel must not weigh more than 14 lbs.

NOTE: While performing installations described in this book, safety glasses or goggles should be worn.

For Monogram® local service in your area, call 1.800.444.1845.

NOTE: Product improvement is a continuing endeavor at General Electric. Therefore, materials, appearance and specifications are subject to change without notice.

Pub. No. 31-30586
Part No. 206C1559P126

11-04 JR



Monogram.®

GE Consumer & Industrial
Louisville, KY 40225

©2004 GE Company

Instructions d'installation

En cas de question, appeler 800.626.2000 ou rendre visite à notre site web : www.monogram.com

Lave-vaisselle encastré

ZBD6800
ZBD6880
ZBD6890*
ZBD0700*
ZBD0710

Guide de conception
Instructions d'installation

*Pour ZBD6890 et ZBD0700, consulter
aussi les instructions imprimées sur
le gabarit fourni avec ce modèle.



Monogram®

Information de sécurité

AVANT DE COMMENCER

Il faut lire soigneusement toutes ces instructions.

- **IMPORTANT** — Conserver ces instructions afin que l'inspecteur local s'en serve. Il faut respecter tous les codes et règlements.
- **Remarque pour l'installateur** — Ne pas oublier de remettre ces instructions au consommateur.
- **Remarque pour le consommateur** — Il faut garder ces instructions avec le manuel d'utilisation, pour consultation ultérieure.
- **Niveau de compétence** — L'installation de ce lave-vaisselle demande des talents mécaniques et électriques de base. **L'installateur est responsable de l'installation appropriée. La garantie des appareils ménagers de GE ne couvre pas les défaillances du produit causées par une mauvaise installation.**
- **Durée d'installation** — 1 à 3 heures.
Les installations initiales demandent plus de temps que les installations de remplacement.

• **IMPORTANT** — Le lave-vaisselle DOIT être installé de manière à permettre la dépose ultérieure de l'enceinte afin de permettre toute intervention.

Si le lave-vaisselle livré est endommagé, il faut contacter immédiatement le concessionnaire ou l'entrepreneur de construction.

**LIRE ATTENTIVEMENT.
IL FAUT GARDER CES
INSTRUCTIONS.**

SÉCURITÉ

Il faut lire et observer tous les avertissements (**PRUDENCE** et **ATTENTION**) montrés dans ces instructions.

Pendant l'installation décrite dans ce livret, il faut porter des gants et des lunettes de sécurité.

Pour le service local Monogram dans votre région :
1.800.444.1845.

Pour le service Monogram au Canada : **1.888.880.3030**
Pièces et accessoires Monogram, appeler le :
1.800.626.2002.

CONTENU

Préparation pour l'installation

Pièces fournies	3
Matériaux nécessaires	3
Outils nécessaires	3
Modèles disponibles	4
Planification préalable.....	4
Préparation de l'enceinte du lave-vaisselle	4
Égout.....	5
Préparation pour le branchement électrique	6
Préparation du tuyau d'eau chaude	7

Instructions d'installation

Étape 1, Vérifier l'équilibre de la porte	7
Étape 2, Dépose de la base en bois, installation des pattes de mise à niveau	8
Étape 3, Dépose de la plinthe.....	8
Étape 4, Installation du cordon d'alimentation	8
Étape 5, Installation du coude à angle droit	8
Étape 6, Mise en place du tuyau d'eau et des fils de la maison.....	9

Étape 7, Installation du tuyau de vidange, guidage dans l'armoire	9
Étape 8, Glisser le lave-vaisselle partiellement dans l'ouverture de l'armoire	9
Étape 9, Installation des pièces de finition	9
Étape 10, Mise en position du lave-vaisselle sous le plan de travail	10
Étape 11, Mise à niveau du lave-vaisselle	11
Étape 12, Fixation du lave-vaisselle à l'armoire	12
Étape 13, Branchement de l'alimentation d'eau	13
Étape 14, Branchement du tuyau de vidange	13
Étape 15, Branchement de l'alimentation électrique.....	14
Étape 16, Liste de vérification avant de faire les essais	14
Étape 17, Essai du lave-vaisselle avec de l'eau	15
Étape 18, Repose de la plinthe.....	15
Étape 19, Documentation	15

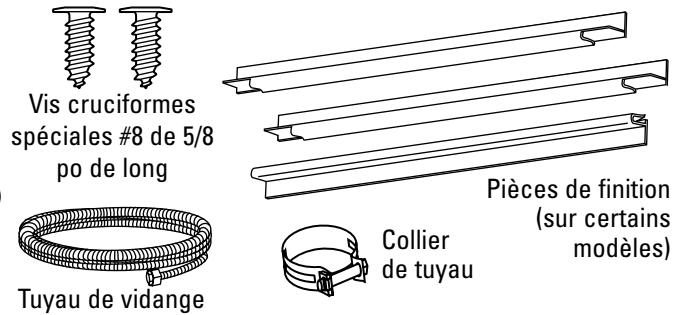
Dimensions du panneau sur commande

Panneau sur commande pour modèles ZBD6890, ZBD0700	15
---	----

Préparation pour l'installation

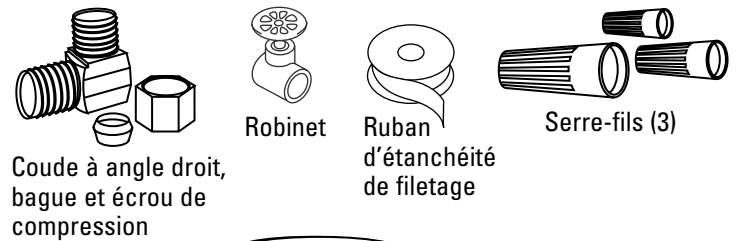
PIÈCES FOURNIES :

- Deux vis cruciformes spéciales #8-18 x 5/8 po (enveloppées dans du ruban adhésif sur le côté supérieur du lave-vaisselle) pour fixer le lave-vaisselle au dessous du plan de travail ou aux côtés des armoires
- Pièces de finition latérales et supérieure (sur certains modèles)
- Gabarit avec quincaillerie de montage (non illustré) Modèle ZBD6890 seulement
- Tuyau de vidange et collier de tuyau



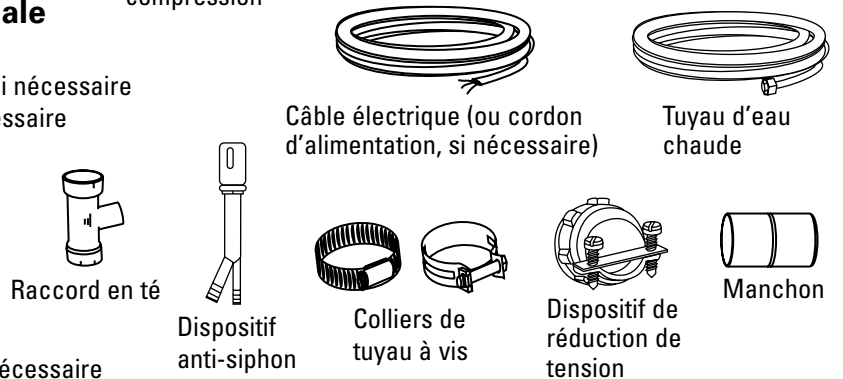
MATÉRIAUX NÉCESSAIRES :

- Bague, écrou de compression et coude à angle droit (filetage externe de 3/8 po à une extrémité, l'autre extrémité correspondant à l'alimentation d'eau)
- Ruban d'étanchéité de filetage
- Serre-fils sur la liste UL (3)



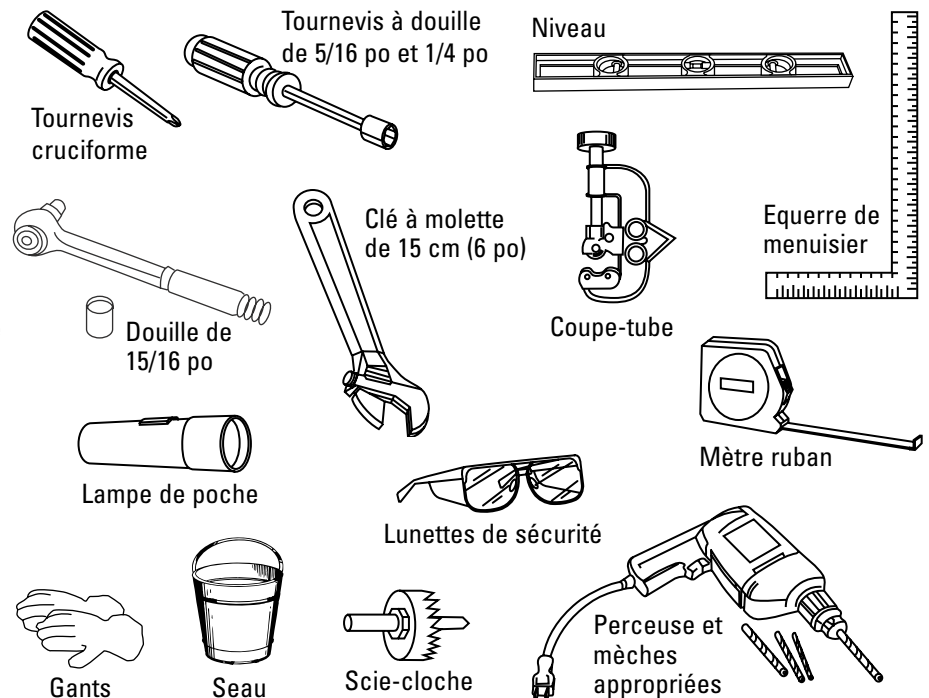
Matériaux pour une installation initiale seulement :

- Dispositif anti-siphon pour le tuyau de vidange, si nécessaire
- Raccord en té pour la plomberie d'égout, si nécessaire
- Câble électrique ou cordon d'alimentation, si nécessaire
- Colliers de tuyau à vis
- Dispositif de réduction de tension pour les branchements électriques
- Robinet
- Conduite d'eau en cuivre de 3/8 po minimum
- Manchon pour allonger le tuyau de vidange, si nécessaire



OUTILS NÉCESSAIRES :

- Tournevis cruciforme
- Tournevis à douille de 5/16 po et 1/4 po
- Clé à molette de 15 cm (6 po)
- Niveau
- Equerre de menuisier
- Mètre ruban
- Lunettes de sécurité
- Lampe de poche
- Seau pour attraper l'eau lors de la purge du tuyau
- Douille de 15/16 po (optionnelle pour la dépose de la palette)
- Gants



Pour les installations initiales seulement :

- Coupe-tube
- Perceuse et mèches appropriées
- Scie-cloche

Préparation pour l'installation

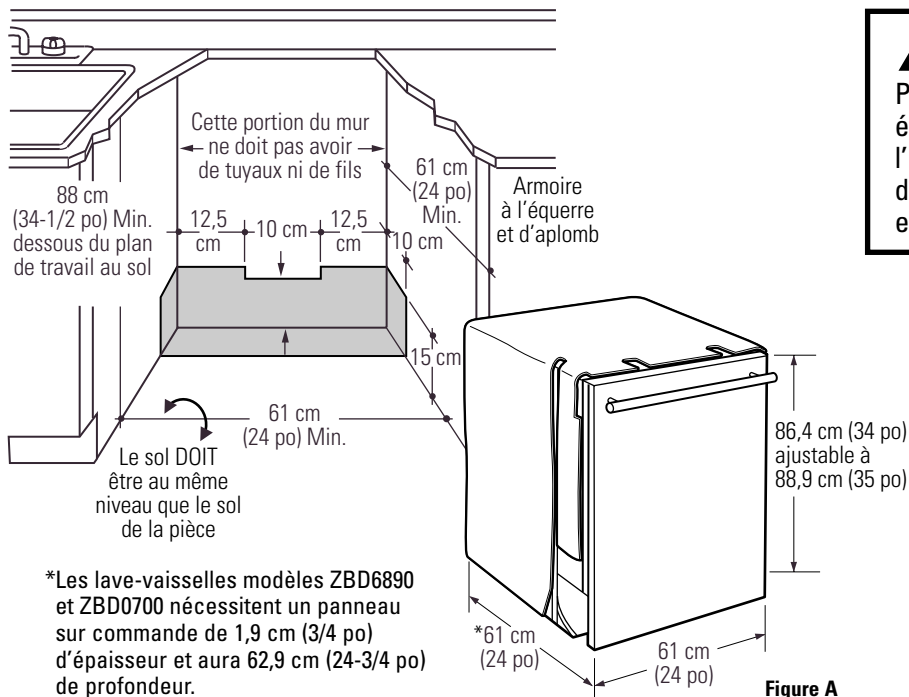
PLANIFICATION PRÉALABLE

- Ces lave-vaisselle sont conçus afin d'être polyvalents et de pouvoir s'adapter à pour ainsi dire n'importe quelle installation.
- Tous les modèles ont une porte pleine longueur sans le panneau d'accès traditionnel.
- Ces lave-vaisselle peuvent être installés au-dessous des plans de travail faits de pierre ou d'autres matériaux dans lesquels on ne peut pas placer de vis. Il n'y a pas besoin de trousse de garniture.

MODÈLES DE LAVE-VAISSELLE

- ZBD0710 SS, Acier inoxydable
- ZBD6880 SS, Acier inoxydable
- ZBD6800 BB, Noir
- ZBD6800 WW, Blanc
- ZBD6890 Nécessite un panneau de 1,9 cm (3/4 po) et une poignée sur commande
- ZBD0700 Nécessite un panneau de 1,9 cm (3/4 po) et une poignée sur commande

PRÉPARATION DE L'ENCEINTE DU LAVE-VAISSELLE

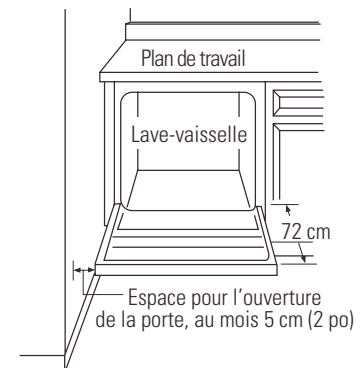


- L'ouverture de l'armoire doit avoir une profondeur d'au moins 61 cm (24 po), une largeur d'au moins 61 cm (24 po) et une hauteur d'environ 88 cm (34-1/2 po), du sol au-dessous du plan de travail.
- La plomberie et l'électricité doivent entrer dans la zone ombrée.
- Le lave-vaisselle doit être installé de manière que le tuyau de vidange n'ait pas une longueur supérieure à 3 m (10 pi) afin d'obtenir un bon écoulement.

ATTENTION

Pour réduire le risque de choc électrique, d'incendie ou de blessures, l'installateur doit s'assurer, au moment de l'installation, que le lave-vaisselle est complètement enclos.

Figure B



ESPACES : En cas d'installation dans un coin, laisser un espace de 5 cm (2 po) minimum entre le lave-vaisselle et l'armoire, le mur ou un autre appareil adjacent. Il doit y avoir un espace d'au moins 72 cm (28-3/8 po) devant le lave-vaisselle pour permettre l'ouverture la porte (Figure B).

Préparation pour l'installation

ÉGOUT

- Respecter les codes et règlements locaux.
- Ne pas dépasser 3 m (10 pi) jusqu'à l'égout.
- Ne pas brancher les tuyaux de vidange d'autres appareils dans le tuyau de vidange du lave-vaisselle.

REMARQUE : Si le raccord en té de l'égout ou la connexion du broyeur à déchets est moins que 46 cm (18 po) du sol pour empêcher siphonnage, un écart d'air doit être utilisé.

DÉTERMINATION DE LA MÉTHODE DE VIDANGE

Le type d'installation de la vidange dépend de la question suivante.

- Est-ce que les codes ou règlements locaux exigent un dispositif anti-siphon ?
- Est-ce que le raccord en té est à moins de 46 cm (18 po) du sol ?

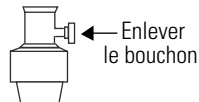
Si la réponse est OUI à une de ces questions, il FAUT utiliser la méthode n° 1.

- Si les réponses sont NON, il est possible d'utiliser n'importe laquelle des deux méthodes.

PRÉPARATION DE L'ARMOIRE

- Percer un trou de 38 mm (1-1/2 po) de diamètre dans le mur de l'armoire, dans les zones hachurées montrées à la figure A, pour le passage du tuyau de vidange. Le trou doit être lisse, sans bords aigus.

IMPORTANT — Pendant le branchement du tuyau de vidange au broyeur à déchets, vérifier que le bouchon de vidange a été enlevé. **LE LAVE-VAISSELLE NE PEUT PAS SE VIDER SI LE BOUCHON EST EN PLACE.**



Méthode 1—Dispositif anti-siphon avec raccord en té d'égout ou de broyeur à déchets

Il faut utiliser un dispositif anti-siphon quand exigé par les codes et règlements locaux. Il faut installer le dispositif antisiphon conformément aux instructions du constructeur.

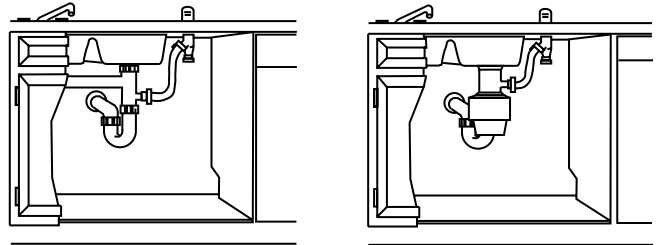


Figure C

Méthode 2—« Boucle de vidange élevée » incorporée avec un raccord en té d'égout ou un broyeur à déchets

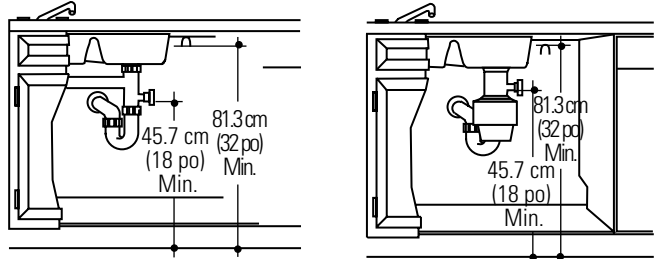


Figure D

Préparation pour l'installation

PRÉPARATION POUR LE BRANCHEMENT ÉLECTRIQUE



ATTENTION

SÉCURITÉ : Enlever le fusible du circuit ou déclencher le disjoncteur avant de commencer l'installation. Avec cet appareil, ne pas utiliser une rallonge ou un adaptateur de prise.

Alimentation électrique

- Cet appareil doit avoir une alimentation en 120 V, 60 Hz, et être branché à un circuit indépendant correctement mis à la terre, protégé par un disjoncteur de 15 ou 20 A ou un fusible temporisé.
- Le branchement doit être fait avec deux fils plus un fil de terre, homologués pour une température de 80 °C (176 °F).
- Si l'alimentation électrique n'est pas conforme à ces conditions, appeler un électricien agréé avant de continuer.

Mise à la terre—Branchement direct

Cet appareil doit être branché de façon permanente à un circuit à la terre avec un morceau de métal, ou il faut installer un fil de mise à la terre avec les fils d'alimentation. Ce fil doit être branché à la borne de terre de l'équipement ou à un fil sur l'appareil.

Instructions de mise à la terre—Modèles avec un cordon d'alimentation

Cet appareil doit être mis à la terre. En cas de mauvais fonctionnement ou de panne, la mise à la terre réduit le risque de choc électrique en fournissant un passage de moindre résistance au courant électrique. Cet appareil est équipé d'un cordon d'alimentation avec un conducteur de mise à la terre et une fiche de terre. Il faut brancher la fiche dans une prise appropriée, installée et mise à la terre conformément aux codes et règlements locaux.



ATTENTION

Le mauvais branchement du conducteur de mise à la terre peut causer des risques de choc électrique. En cas de doute sur la mise à la terre de l'appareil, consulter un électricien agréé ou un technicien de réparation.

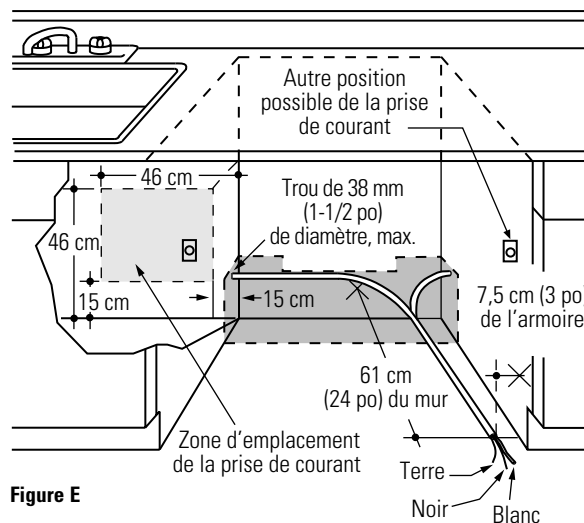


Figure E

Modèles équipés d'un cordon d'alimentation : Ne pas modifier la fiche fournie avec l'appareil. Si la fiche ne correspond pas à la prise, faire installer une prise appropriée par un électricien qualifié.

Préparation de l'armoire et du passage des fils

- Les fils doivent entrer dans la cavité d'un côté ou de l'autre, de l'arrière ou du sol, dans la zone hachurée.
- Couper un trou de 38 mm (1-1/2 po) de diamètre maximum pour permettre le passage des fils d'alimentation électrique. Le câble de branchement direct peut passer dans le même trou que le tuyau de vidange et le tuyau d'eau chaude, si c'est plus pratique. Si le mur de l'armoire est métallique, le bord du trou doit être protégé par un œillet.

REMARQUE : Le cordon d'alimentation avec une fiche doit passer dans un trou séparé.

Branchement électrique du lave-vaisselle

Le branchement électrique se fait sur le côté droit du lave-vaisselle.

- Pour les branchements directs, le câble doit passer comme montré à la Figure E. Il doit y avoir une longueur de câble d'au moins 61 cm (24 po) dépassant du mur arrière.
- Pour le branchement avec un cordon d'alimentation, installer une prise à trois broches sur le mur arrière de l'armoire d'évier, de 15 cm (6 po) minimum ou 46 cm (18 po) maximum de l'ouverture, de 15 cm à 46 cm (6 à 18 po) au-dessus du sol.

Instructions d'installation

PRÉPARATION DU TUYAU D'EAU CHAUDE

- Le tuyau peut entrer d'un côté ou de l'autre, de l'arrière ou du sol, dans la zone hachurée montrée à la Figure F.
- Le tuyau peut passer dans le même trou que le câble électrique et le tuyau de vidange. Il est aussi possible de couper un trou supplémentaire de 38 mm (1-1/2 po) de diamètre uniquement pour le tuyau d'eau. En cas d'utilisation d'un cordon d'alimentation avec une fiche, celui-ci doit passer dans le trou d'alimentation électrique.

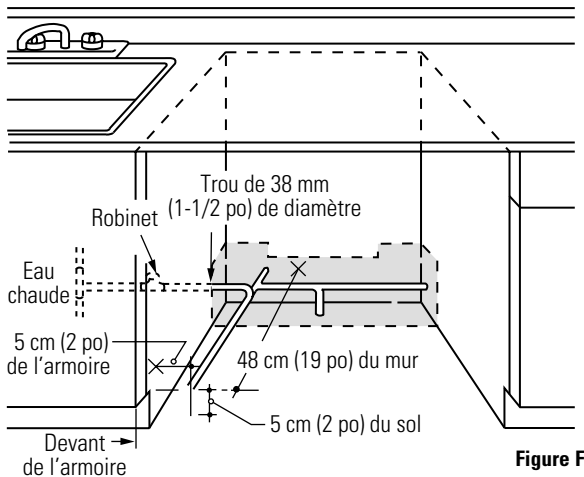


Figure F

Branchement du tuyau d'eau

- Couper l'alimentation d'eau.
- Installer un robinet dans un endroit accessible, sous l'évier par exemple (optionnel, mais fortement recommandé et peut être exigé par les codes locaux).
- Le branchement d'eau est sur la gauche du lave-vaisselle. Installer la conduite d'alimentation d'eau chaude avec un tuyau en cuivre d'au moins 3/8 po de diamètre externe. Faire passer la conduite comme montré à la figure F et l'amener à 48 cm (19 po) du mur arrière.
- Régler le chauffe-eau à une température entre 49° et 65°C (120° et 150°F).
- Purger la conduite d'eau pour éliminer tous les débris.
- La conduite d'alimentation d'eau chaude doit avoir une pression entre 1,4 et 8,3 bar (20 et 120 psi).



PRUDENCE

Il ne faut pas enlever la base de bois avant d'être prêt à installer le lave-vaisselle. Quand la base de bois est enlevée et la porte ouverte, le lave-vaisselle bascule.



AVANT DE COMMENCER

Repérer et mettre de côté (pour l'étape 12) les 2 vis spéciales cruciformes enveloppées dans du ruban jaune collé dans le haut ou le côté du lave-vaisselle. S'il n'est pas pré-installé, retirer le tuyau d'évacuation de l'égouttoir supérieur et le mettre de côté pour l'étape 7.

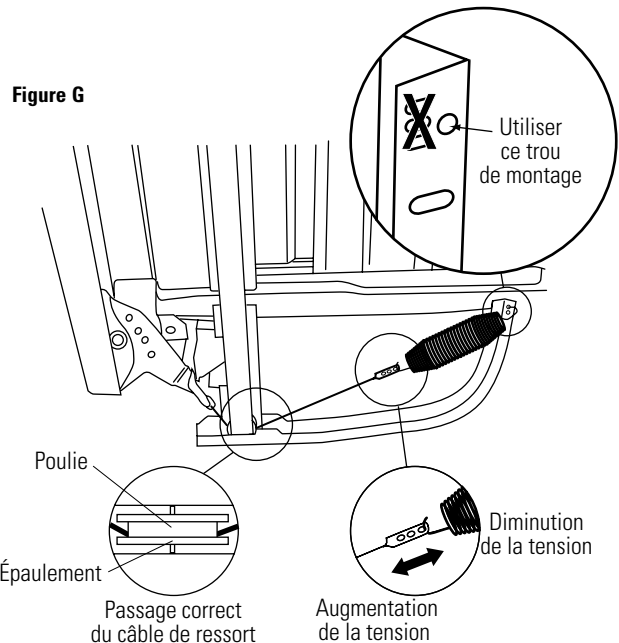
ÉTAPE 1 VÉRIFIER L'ÉQUILIBRE DE LA PORTE

- Avec le lave-vaisselle sur la palette de bois, ouvrir et fermer la porte pour vérifier son équilibre.
- Si la porte tombe quand elle est relâchée, augmenter la tension du ressort. Si la porte monte quand elle est relâchée, diminuer la tension du ressort.

NOTE : L'addition du panneau sur commande sur le modèle ZBD6890 nécessite le changement des ressorts installés à l'usine. Utiliser les ressorts ultrarobustes fournis. Voir le gabarit du panneau sur commande pour des instructions supplémentaires.

- Régler le ressort pour augmenter ou diminuer la tension selon le besoin.

NOTE : Régler les deux ressorts d'équilibre au même degré de tension afin d'éviter une torsion excessive de la porte pendant l'emploi.



CONSEIL : Si la porte ne s'ouvre pas facilement ou si elle tombe trop rapidement, vérifier le passage du câble du ressort. Vérifier que le câble passe correctement sur la poulie, comme montré.

Instructions d'installation

ÉTAPE 2 DÉPOSE DE LA BASE EN BOIS, INSTALLATION DES PATTES DE MISE À NIVEAU

IMPORTANT — Il ne faut pas frapper la base en bois pour l'enlever ! Ceci endommage le lave-vaisselle.

- Amener le lave-vaisselle à proximité de l'emplacement définitif et le basculer sur le dos.
- Avec une clé à molette ou une douille de 15/16 po, enlever les quatre pieds de mise à niveau du dessous de la base en bois.
- Jeter la base.

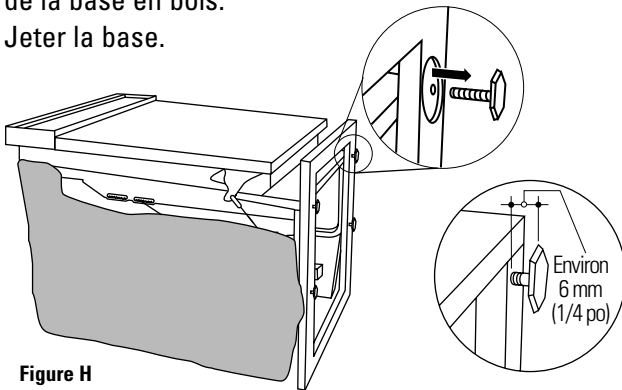


Figure H

- Visser les pieds de mise à niveau dans le cadre du lavevaisselle, jusqu'à environ 6 mm (1/4 po) du cadre, comme montré.

ÉTAPE 3 DÉPOSE DE LA PLINTHE

- Enlever les deux vis de la plinthe.

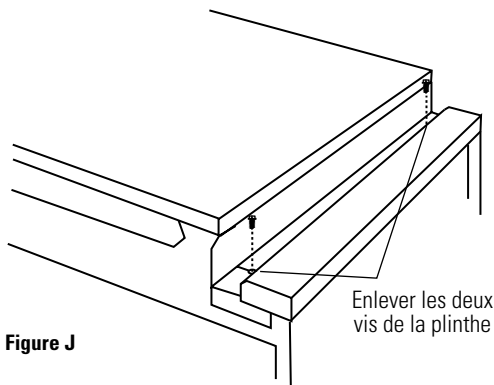


Figure J

ÉTAPE 4 INSTALLATION DU CORDON D'ALIMENTATION

Utilisez la trousse de cordon d'alimentation No WX09X70910 disponibles pour l'achat chez votre revendeur d'appareil électroménagers GE autorisé.

Ignorer cette étape si le lave-vaisselle est branché directement ou si le cordon d'alimentation a été installé en usine.

Le cordon d'alimentation et les branchements doivent être conformes au code national d'électricité et aux codes et règlements actuelles locaux.

- La longueur du cordon d'alimentation ne doit pas dépasser 1,2 m (4 pi) à l'arrière du lave-vaisselle.

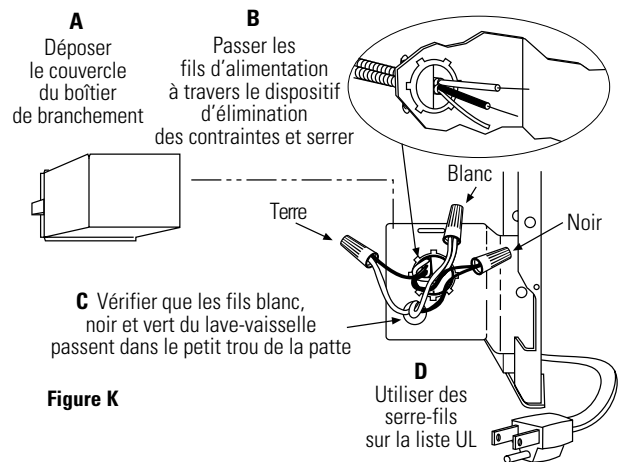


Figure K

- Brancher le fil d'alimentation blanc (ou à nervures) au fil blanc du lave-vaisselle, le fil noir (ou lisse) au fil noir et la vis de masse au fil vert du lave-vaisselle. Utiliser des serre-fils sur la liste UL de taille appropriée.
- Reposer le couvercle du boîtier de branchement. Vérifier que les fils ne sont pas pincés sous le couvercle.

ÉTAPE 5 INSTALLATION DU COUDE À ANGLE DROIT

- Mettre du ruban d'étanchéité de filet sur le coude à angle droit.
- Installer le coude à angle droit sur la vanne.
- Ne pas serrer en excès le coude à angle droit, ceci pourrait tordre la patte de la vanne ou briser le raccord de la vanne.
- Tourner le coude pour qu'il pointe vers l'arrière du lavevaisselle.

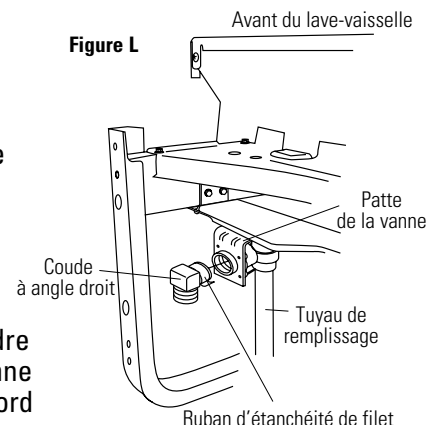


Figure L

Instructions d'installation

ÉTAPE 6 MISE EN PLACE DU TUYAU D'EAU ET DES FILS DE LA MAISON

- Mettre en place le tuyau d'eau et les fils de la maison sur le sol de l'ouverture, afin d'éviter toute interférence avec la base du lave-vaisselle et des divers éléments sous celui-ci.

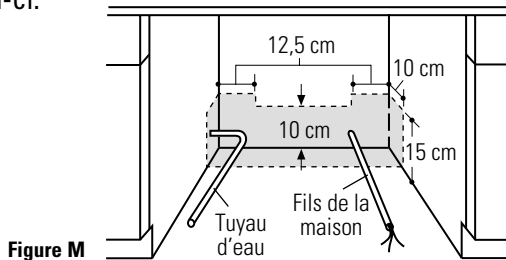


Figure M

ÉTAPE 7 INSTALLATION DU TUYAU DE VIDANGE, GUIDAGE DANS L'ARMOIRE

- Enlever le ruban et les attaches métalliques maintenant le collier sur le tuyau de vidange. **Il faut prendre soin de ne pas endommager le tuyau de vidange.**
- Mettre le lave-vaisselle à la verticale.
- Glisser le collier de tuyau fourni sur la grande extrémité du tuyau. Ne pas serrer.

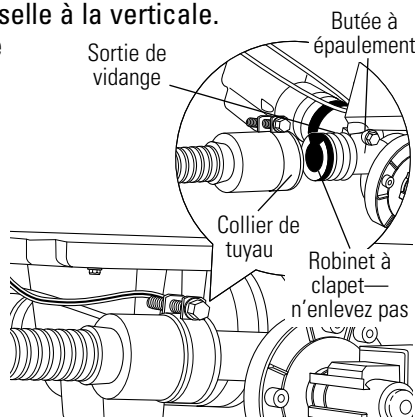


Figure N

- Pousser le tuyau sur le raccord de vidange à l'arrière du lave-vaisselle. Consulter l'illustration. Pousser le tuyau sur le raccord et contre la butée à épaulement.
- Serrer le collier de tuyau avec un tournevis à douille de 1/4 po.
- Mettre le lave-vaisselle en position devant l'ouverture. Insérer le tuyau de vidange dans le côté de l'armoire. Si un cordon d'alimentation est utilisé, guider son extrémité dans un trou séparé.

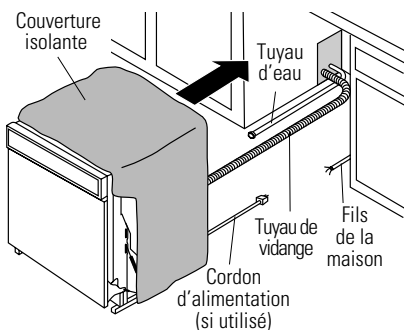


Figure O

ÉTAPE 8 GLISSER LE LAVE-VAISSELLE PARTIELLEMENT DANS L'OUVERTURE DE L'ARMOIRE NE PAS POUSSER CONTRE LE PANNEAU AVANT AVEC LE GENOU. CECI CAUSE DES DOMMAGES.

- Glisser le lave-vaisselle dans l'ouverture, une dizaine de centimètres à la fois.

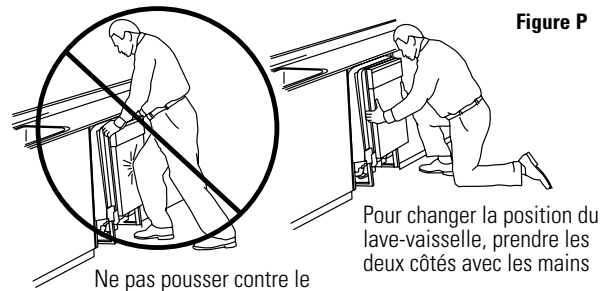


Figure P

Ne pas pousser contre le panneau de la porte avec le genou. Ceci endommage le panneau de la porte.

Pour changer la position du lave-vaisselle, prendre les deux côtés avec les mains

- Au fur et à mesure du progrès, tirer le tuyau de vidange dans l'ouverture sous l'évier. Arrêter de pousser quand le lave-vaisselle dépasse d'une dizaine de centimètres devant l'armoire avoisinante.
- Vérifier que le tuyau de vidange n'est pas pincé sous le lave-vaisselle et qu'il n'y a aucune interférence entre le tuyau d'eau et les fils et tout autre élément.

ÉTAPE 9 INSTALLATION DES PIÈCES DE FINITION

Ignorer cette étape si les panneaux de finition ne sont pas fournis avec le lave-vaisselle.

- Prendre les bandes de finition à l'intérieur du lave-vaisselle.
- Appuyer la bande de finition sur le bord du bac, de chaque côté. Commencer avec le bord supérieur et appuyer tout en descendant.
- Appuyer les deux bandes de finition de chaque côté du verrou.
- Ouvrir et fermer la porte pour vérifier que les bandes de finition ne coïncent pas et n'interfèrent pas avec le verrouillage de la porte.

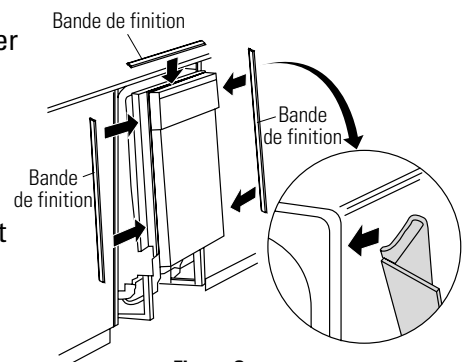


Figure Q

Instructions d'installation

ÉTAPE 10 MISE EN POSITION DU LAVE-VAISSELLE SOUS LE PLAN DE TRAVAIL

- Pousser le lave-vaisselle dans l'armoire.
- Pousser sur les bords, avec les mains. Ne pas utiliser un genou contre la porte, car ceci endommage la porte.
- Pendant la mise en place dans l'armoire, vérifier que la couverture isolante du bac n'est pas « rebroussée » et qu'elle n'interfère pas avec les ressorts.
- Centrer le lave-vaisselle dans l'ouverture.
- Vérifier que les bords de la porte du lave-vaisselle sont derrière le cadre de l'armoire et alignés sur la face avant de l'armoire, comme montré.
- Ouvrir et fermer avec soin la porte pour vérifier que le panneau de la porte n'accroche pas ou ne frotte pas sur le cadre de l'armoire.
- Si la porte accroche ou frotte sur le cadre, changer la position ou mettre l'appareil de niveau (Étape 11) jusqu'à ce que la porte se déplace librement et n'est pas en contact avec le cadre de l'armoire.

Les commandes sont conçues de façon à être cachées par votre plan de travail. Aligner le lave-vaisselle comme illustré à la figure T.

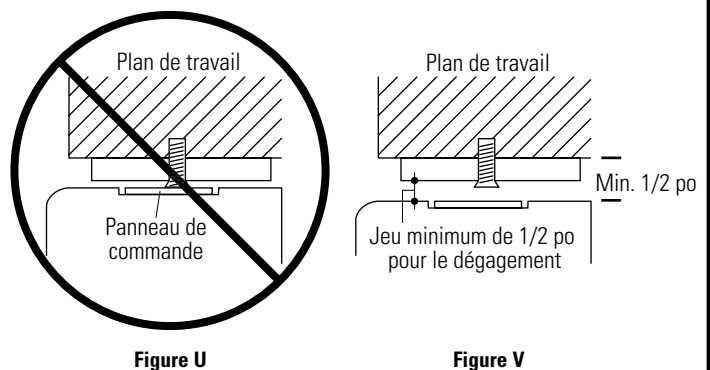
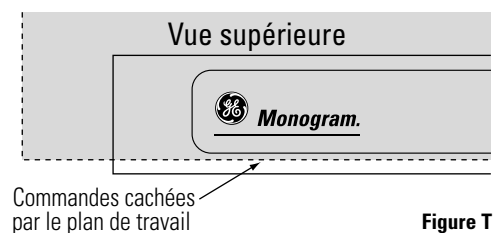
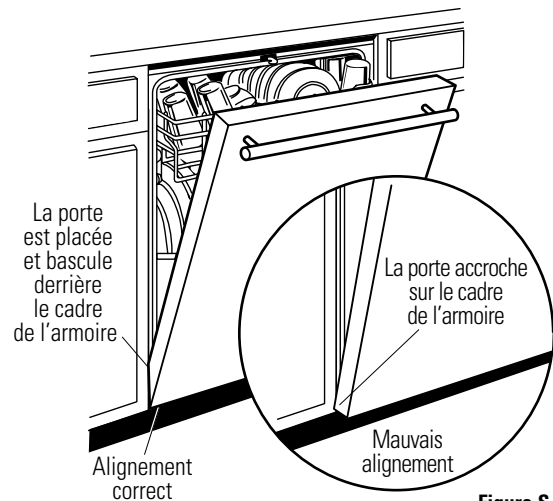
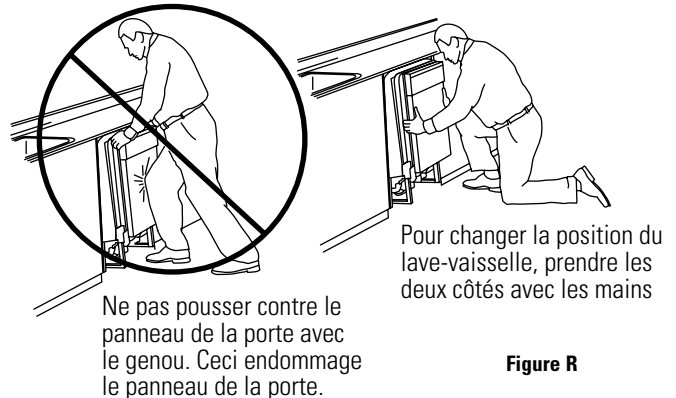
REMARQUE : Si le tuyau du vidange se coince entre le mur et le côté arrière du lave-vaisselle, cela peut empêcher celui-ci de glisser vers l'arrière tout à fait contre l'ouverture de l'armoire, empêchant ainsi un ajustement à fleur des panneaux de l'armoire de cuisine.

CONSEIL : Pour obtenir le meilleur aspect possible, l'installation des modèles du panneau sur commande peut nécessiter le découpage du panneau arrière de la couverture d'isolant afin que le panneau de la porte du lave-vaisselle puisse s'aligner à fleur des panneaux de l'armoire.

Il est possible de régler les pieds de mise de niveau pour augmenter ou diminuer l'espace entre les commandes et le plan de travail, affectant la visibilité des commandes. Laisser un jeu minimum de 1/2 po entre le dessous du plan de travail et le haut de la porte du lave-vaisselle (voir Figure V).

IMPORTANT — Laisser un jeu minimum de 1/2 po entre les commandes et le dessous du plan de travail pour prévenir la condensation et les dommages causés au panneau de commande par les têtes de vis.

REMARQUE : Si ce lave-vaisselle remplace un lave-vaisselle existant, il est possible que les trous de vis de l'ancienne patte du plan de travail ne soient pas au bon endroit pour accepter un modèle à commandes en haut. Il peut être nécessaire de faire de nouveaux trous.



Instructions d'installation

ÉTAPE 11 MISE À NIVEAU DU LAVE-VAISSELLE

IMPORTANT — Le lave-vaisselle doit être de niveau pour obtenir un bon déplacement de l'égouttoir et du lave-vaisselle.

- Mettre un niveau sur la porte et sur la glissière de l'égouttoir à l'intérieur du bac, comme montré, pour vérifier que le lave-vaisselle est de niveau.

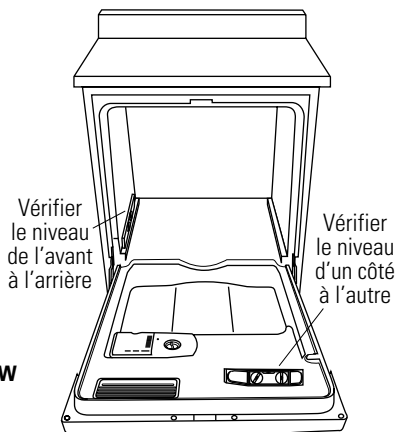


Figure W

- Pour mettre le lave-vaisselle de niveau, régler individuellement les pieds de mise à niveau.

- S'assurer qu'un jeu de 1/2 po est maintenu (voir Figure V).

- S'il faut régler le pied arrière droit de mise à niveau, obtenir accès en desserrant la vis de la patte de boîtier de branchement (à travers le trou d'accès) et tourner la patte dans le sens des aiguilles d'une montre.

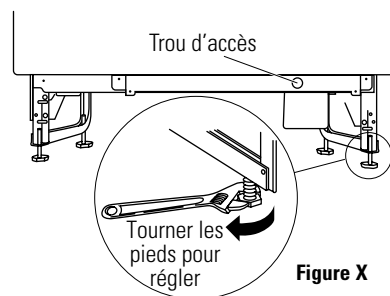


Figure X

CONSEIL : Sortir l'égouttoir inférieur, à moitié environ. Vérifier que l'égouttoir ne roule pas en avant ou en arrière dans le lave-vaisselle. Si l'égouttoir roule, il faut mettre de niveau le lave-vaisselle une nouvelle fois.

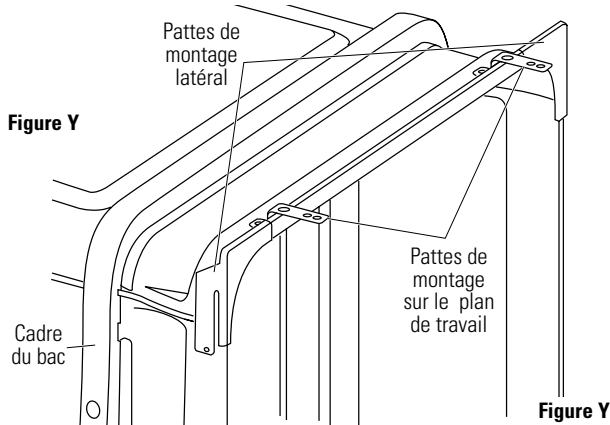
- Si la porte butte contre le bac, le lave-vaisselle n'est pas installé correctement. Régler les pieds de mise à niveau pour aligner la porte par rapport au bac.

Instructions d'installation

ÉTAPE 12 FIXATION DU LAVE-VAISSELLE À L'ARMOIRE

Le lave-vaisselle doit être fixé au plan de travail ou aux côtés de l'armoire. Utiliser la méthode n° 1 quand le plan de travail est en bois. Quand le plan de travail est en granite ou autre matériau qui n'accepte pas les vis, utiliser la méthode n° 2 pour fixer le lave-vaisselle sur les côtés.

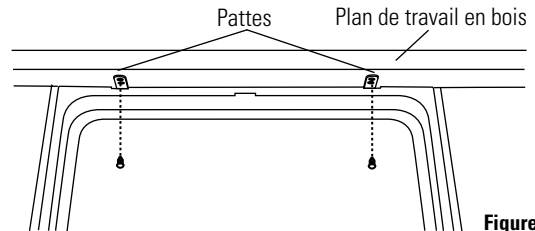
IMPORTANT — Après avoir fait la mise à niveau, vérifier que le lave-vaisselle est toujours en bonne position, comme montré à l'étape 10.



IMPORTANT — Enfoncer les vis tout droit et de niveau. Des têtes de vis qui dépassent rayent le dessus ou les côtés du panneau de commande et peuvent interférer avec la fermeture de la porte.

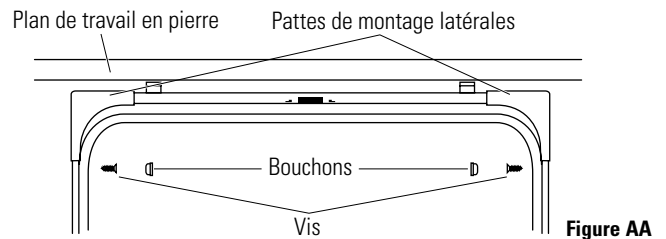
Méthode 1—Fixation du lave-vaisselle au plan de travail en bois

- Avec les deux vis Phillips fournies, visser le lave-vaisselle sur le dessous du plan de travail.

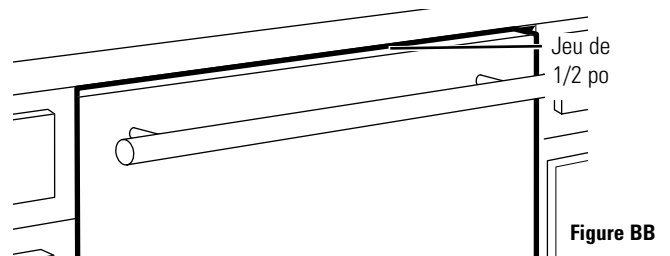


Méthode 2—Fixation du lave-vaisselle avec les pattes de montage latérales

- Enlever les bouchons (un de chaque côté).
- Poser la vis à travers le trou sur le côté du lave-vaisselle et dans l'armoire adjacente. Reposer les bouchons.



Pour les deux méthodes : maintenir un jeu de 1/2 po



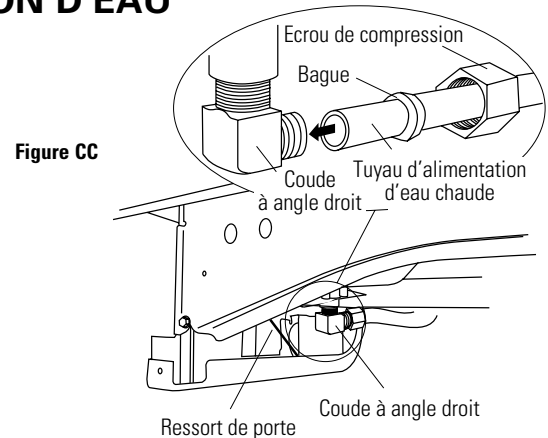
Instructions d'installation

ÉTAPE 13 BRANCHEMENT DE L'ALIMENTATION D'EAU

Brancher le tuyau d'alimentation d'eau au coude à angle droit.

- Glisser l'écrou de compression et ensuite la bague sur l'extrémité du tuyau d'eau.
- Insérer le tuyau d'eau dans le coude à angle droit.
- Glisser la bague contre le coude et serrer l'écrou de compression.

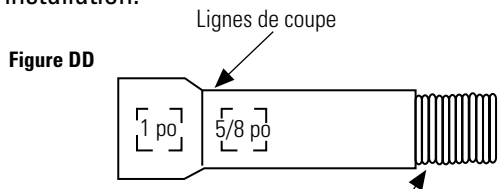
IMPORTANT — Ouvrir et fermer la porte pour vérifier que le ressort de la porte ne frotte pas ou n'est pas en contact avec le tuyau de remplissage ni le tuyau d'alimentation d'eau. Changer le passage des tuyaux s'il y a un bruit de frottement ou une interférence.



ÉTAPE 14 BRANCHEMENT DU TUYAU DE VIDANGE

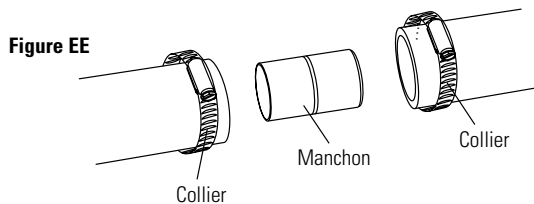
IL FAUT RESPECTER TOUS LES CODES ET RÉGLEMENTS LOCAUX.

L'extrémité moulée du tuyau de vidange se branche sur des raccords de 5/8 po ou 1 po de diamètre de dispositif anti-siphon, du raccord en té d'égout ou du broyeur à déchets. Couper à la ligne marquée, selon le besoin de l'installation.



IMPORTANT: Il ne faut pas couper la portion ondulée du tuyau.

- S'il faut un tuyau de vidange plus long, ajouter au tuyau installé en usine une longueur de 1,1 m (42 po) pour obtenir une longueur totale de 3 m (10 pi). Utiliser un tuyau de 5/8 ou 7/8 po de diamètre interne et un manchon pour brancher les deux extrémités de tuyaux. Maintenir le manchon en place avec des colliers.



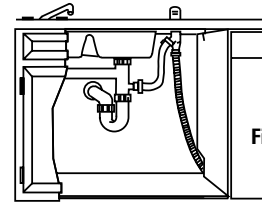
- Monter avec des colliers le tuyau de vidange sur le dispositif anti-siphon, le raccord en té d'égout ou le broyeur à déchets.

REMARQUE : POUR OBTENIR UNE BONNE VIDANGE, LA LONGUEUR TOTALE DU TUYAU DE VIDANGE NE DOIT PAS DÉPASSER 3 m (10 pi).

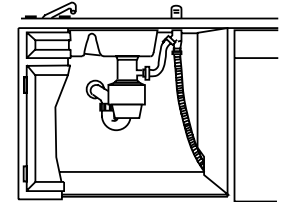
INSTALLATION DU TUYAU DE VIDANGE

- Brancher le tuyau de vidange au dispositif anti-siphon, au raccord en té d'égout ou au broyeur à déchets selon l'une des méthodes déterminées au préalable.

Méthode 1—Dispositif anti-siphon avec raccord en té d'égout ou broyeur à déchets

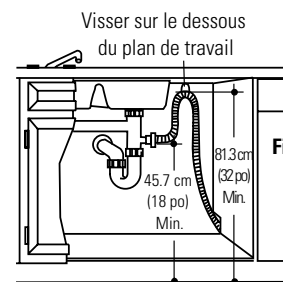


Installation avec un raccord en té d'égout

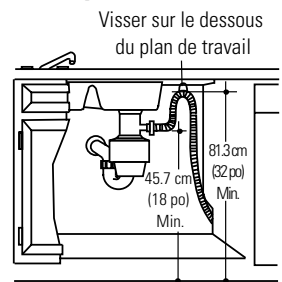


Installation avec un broyeur à déchets

Méthode 2—« Boucle d'égout élevée » intégrée avec raccord en té d'égout ou broyeur à ordures

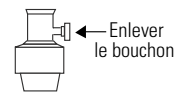


Installation avec un raccord en té d'égout



Installation avec un broyeur à déchets

IMPORTANT — En cas de branchement du tuyau d'égout au broyeur à ordures, vérifier que le bouchon de vidange a été enlevé. **LE LAVEVAISSELLE NE SE VIDE PAS SI LE BOUCHON EST EN PLACE.**



CONSEIL : Il faut éviter les frais d'intervention inutiles. Il faut toujours s'assurer que le bouchon de vidange a été enlevé avant de brancher le tuyau de vidange du lave-vaisselle au broyeur à déchets.

Instructions d'installation

ÉTAPE 15 BRANCHEMENT DE L'ALIMENTATION ÉLECTRIQUE

Ignorer cette étape si le lave-vaisselle est équipé d'un cordon d'alimentation. Aller à l'étape 16.

Vérifier que le circuit est hors tension.

- Déposer le couvercle du boîtier de branchement « A ».
- Attacher les fils de la maison au dos du boîtier de branchement à l'aide du dispositif d'élimination des contraintes « B ».
- Identifier les trois fils du lave-vaisselle avec les extrémités dénudées (blanc, noir et vert). Insérer les fils du lave-vaisselle dans le petit trou du boîtier de branchement « C ». Utiliser des serre-fils pour brancher la terre du circuit au fil vert, le fil blanc au fil blanc et le fil noir au fil noir, « D ».
- Reposer le couvercle « E » du boîtier de branchement. Vérifier que les fils ne sont pas pincés sous le couvercle.

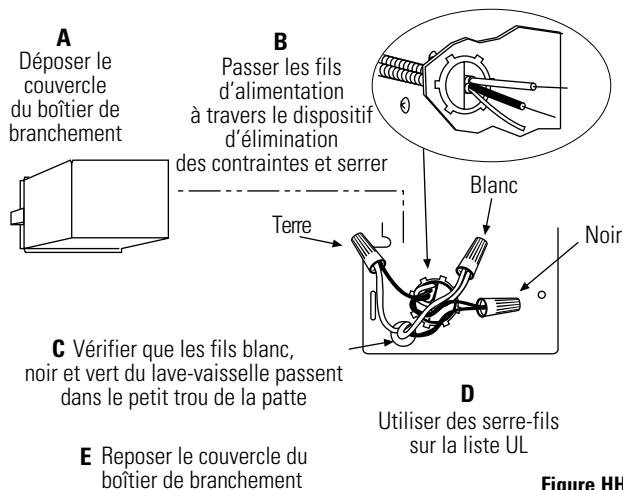


Figure HH



WARNING

Si le circuit de la maison n'est pas un circuit à deux fils plus fil de terre, l'installateur doit installer un fil de terre. Quand le circuit de la maison est en aluminium, il faut prendre soin d'utiliser une pâte antioxydante et des connecteurs aluminium à cuivre sur la liste UL.

ÉTAPE 16 LISTE DE VÉRIFICATION AVANT DE FAIRE LES ESSAIS

Examiner cette liste après l'installation du lave-vaisselle pour éviter les frais d'intervention qui ne sont pas couverts par la garantie.

- Vérifier que le système est hors tension.
- Ouvrir la porte et enlever tout le conditionnement en mousse et papier.
- Trouver le Manuel d'utilisation dans l'enveloppe de documentation.
- Lire les instructions d'utilisation dans le Manuel d'utilisation.
- Vérifier l'ouverture et la fermeture de la porte. Si la porte ne s'ouvre pas ou ne se ferme pas librement ou si elle a tendance à tomber, vérifier le passage du câble de ressort et le réglage des ressorts. Consulter l'étape 1.
- Vérifier que les fils sont bien en place sous le lave-vaisselle, qu'ils ne sont pas pincés ni en contact avec les ressorts de porte ni autres éléments. Consulter les étapes 8 et 10.
- Vérifier l'alignement de la porte par rapport au bac, et que le lave-vaisselle est de niveau. Consulter l'étape 11.
- Sortir l'égouttoir, à moitié chemin. Vérifier qu'il ne recule ni n'avance. Si l'égouttoir se déplace, régler les pieds de mise à niveau. Consulter l'étape 11.
- Vérifier l'alignement de la porte par rapport à l'armoire. Si la porte touche l'armoire, repositionner le lave-vaisselle ou le remettre à niveau. Consulter les étapes 10, 11 et 12.
- Vérifier que le ressort de la porte n'est pas en contact avec le tuyau d'eau, le tuyau de remplissage, les fils et autres éléments. Consulter l'étape 13.
- Vérifier que le tuyau d'alimentation d'eau et le tuyau de vidange ne sont pas pincés ni en contact avec d'autres éléments. Le contact avec le moteur ou le lave-vaisselle peut causer des bruits. Consulter les étapes 6 et 8.
- Ouvrir le robinet d'eau chaude d'évier et vérifier la température de l'eau. L'eau d'alimentation doit avoir une température entre 49° et 65°C (120° et 150°F). Il faut une température d'au moins 49°C (120°F) pour obtenir le meilleur rendement du lave-vaisselle. Consulter « Préparation du tuyau d'eau chaude », page 7.
- Ajouter deux litres d'eau au fond du lave-vaisselle pour lubrifier le joint de la pompe.
- Ouvrir le robinet d'eau. Vérifier qu'il n'y a pas de fuites. Serrer les branchements selon le besoin.
- Enlever, du panneau de commande et de la porte, la pellicule de protection, si elle est présente.

Instructions d'installation/Dimensions du panneau sur commande

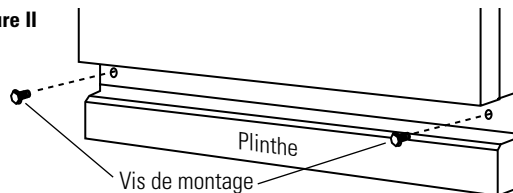
ÉTAPE 17 ESSAI DU LAVE-VAISSELLE AVEC DE L'EAU

- Mettre le circuit sous tension (ou brancher le cordon d'alimentation dans la prise de courant, si installée).
- Mettre le lave-vaisselle en marche pour vérifier qu'il n'y a pas de fuites.
 - Appuyer sur la touche RINSE ONLY (RINÇAGE SEULEMENT)
 - Appuyer une fois sur la touche START/RÉSET (DÉMARRAGE/REMISE) à zéro
 - Fermer la porte
- Vérifier que l'eau entre dans le lave-vaisselle. Si l'eau n'entre pas dans le lave-vaisselle, vérifier que le robinet d'alimentation est ouvert et que le circuit est sous tension.
- Vérifier qu'il n'y a pas de fuites sous le lave-vaisselle. S'il y a une fuite, couper l'alimentation électrique et serrer les branchements. Remettre le lave-vaisselle sous tension après avoir éliminé les fuites.
- Vérifier qu'il n'y a aucune fuite autour de la porte. Une fuite autour de la porte peut être causée par un frottement de la porte ou un impact avec l'armoire adjacente. Repositionner le lave-vaisselle si nécessaire. Consulter l'étape 12.
- Le lave-vaisselle se vidange et s'arrête environ 5 minutes après la mise en marche. Inspecter le tuyau de vidange. S'il y a des fuites, mettre le circuit hors tension au coupe-circuit et corriger la plomberie selon le besoin. Remettre sous tension après avoir corrigé les problèmes. Consulter l'étape 15.
- Ouvrir la porte du lave-vaisselle et vérifier que la plus grande partie de l'eau est évacuée. Dans le cas contraire, vérifier que le bouchon du broyeur à ordures a été enlevé et que le dispositif anti-siphon n'est pas bouché. Consulter l'étape 14. Vérifier aussi que le tuyau n'est pas pincé.
- Faire fonctionner le lave-vaisselle pendant un autre cycle de « Rinse Only » (Rinçage seulement). Vérifier qu'il n'y a pas de fuite et corriger selon le besoin.

ÉTAPE 18 REPOSE DE LA PLINTHE

- Mettre la plinthe contre les pieds du lave-vaisselle.

Figure II



- Aligner la plinthe sur le bord inférieur et vérifier qu'elle est contre le sol.
- Insérer et serrer les deux vis de montage de la plinthe. La plinthe doit rester en contact avec le sol.

CONSEIL : Vérifier que la plinthe est contre le sol, afin de minimiser le bruit.

ÉTAPE 19 DOCUMENTATION

- Prendre soin de laisser au consommateur l'enveloppe complète de documentation et d'instructions d'installation.

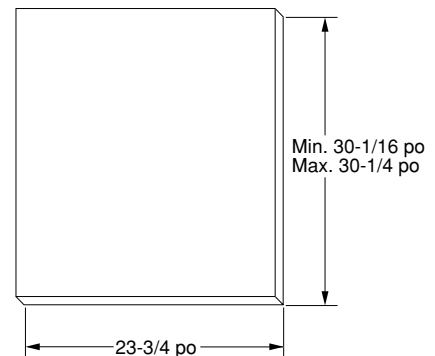
PANNEAU SUR COMMANDE POUR LE MODÈLE ZBD6890, ZBD0700

Ces lave-vaisselles nécessitent une installation, à pied d'oeuvre, d'un panneau sur commande de 1,9 cm (3/4 po) d'épaisseur muni d'une poignée également sur commande. Un gabarit est fourni avec ces modèles et peut être obtenu à l'avance. Commander la Pub. N° 31-30569-1. Des instructions complètes d'installation du panneau sont incluses sur le gabarit.

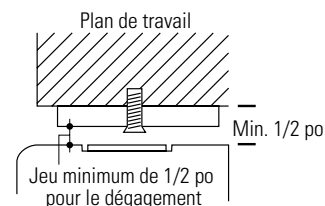
TAILLE NÉCESSAIRE POUR LE PANNEAU SUR MESURE

HAUTEUR

Le panneau doit avoir entre au moins 30 1/16 po et 30 1/4 po de hauteur.



- Si le panneau a plus de 30 1/4 po de hauteur, il empêche la porte de s'ouvrir complètement.
- Si le panneau a moins de 30 1/16 po de hauteur, il ne couvre pas le châssis de porte du lave-vaisselle.
- Le haut du panneau sur mesure doit affleurer le haut de la porte. Il doit y avoir un espace libre d'au moins 1/2 po entre le haut de la porte et le bas du revêtement de comptoir.



LARGEUR

Le panneau doit avoir au moins 23 3/4 de largeur.

- Si le panneau a moins de 23 3/4 po de largeur, il ne couvre pas le châssis de porte du lave-vaisselle.

IMPORTANT : Pour que la porte fonctionne bien, le panneau sur mesure ne doit pas peser plus de 14 livres.

NOTE : En exécutant les installations décrites dans ce livret, il faut porter des lunettes de sécurité.

Pour un service local Monogram® dans votre région, appeler le 1.800.444.1845.

NOTE : Chez General Electric, nous nous efforçons continuellement d'améliorer les produits. Par conséquent, les matériaux, l'aspect et les caractéristiques sont assujettis à des changements sans préavis.

Pub. N° 31-30586

Pièce N° 206C1559P126

11-04 JR



Monogram.®

GE Consumer & Industrial
Louisville, KY 40225

©2004 GE Company