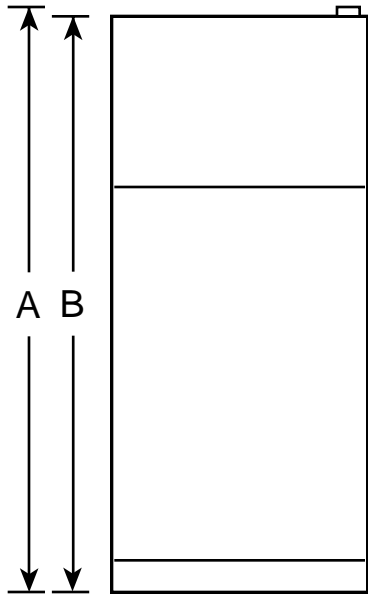


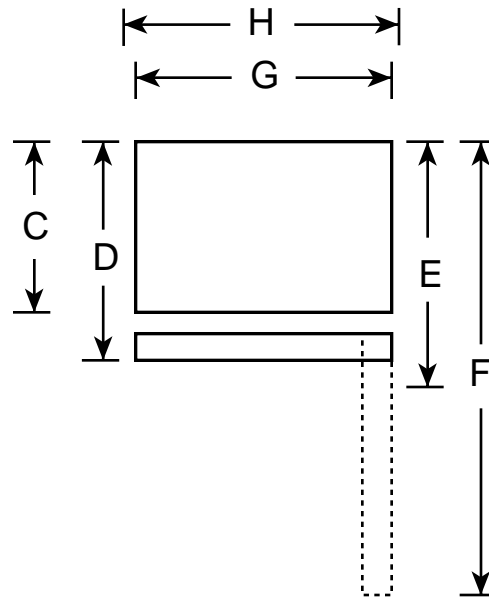
HOTPOINT®

HTS18JCP – Hotpoint 17.9 Cu. Ft. Top-Freezer Refrigerator with Icemaker

Front View



Top View



Overall Dimensions	Height to top of hinge (in.) A	66-5/8
	Height to top of case (in.) B	66-1/8
	Case depth without door (in.) C	27-1/2
	Case depth less door handle (in.) D	30-1/4
	Case depth with door handle (in.) E	32-1/8
	Depth with fresh food door open 90° (in.) F	58-1/8
	Width (in.) G	29-1/2
	Width with door open 90° with door handle (in.) H	32
Air Clearances	Each side (in.)	1/8
	Top (in.)	1
	Back (in.)	1

Note: Before installing, consult installation instructions packed with product for current dimensional data.

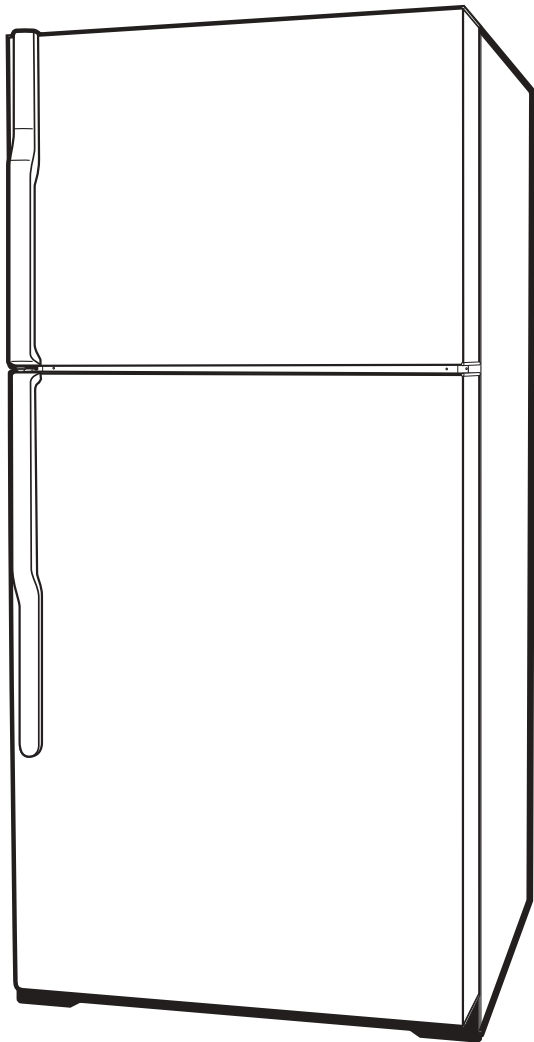
Note: All Top-Freezer No-Frost Right-Hand Refrigerator Doors: As you face the front of the refrigerator, the handle is on your left and the hinges are on your right.

All Top-Freezer No-Frost Left-Hand Refrigerator Doors: As you face the front of the refrigerator, the handle is on your right and the hinges are on your left.





HTS18JCP – Hotpoint 17.9 Cu. Ft. Top-Freezer Refrigerator with Icemaker



Features and Benefits

- Spill-Proof Glass Shelves – Help contain spills and keep them from dripping.
- Illuminated Upfront Slimline Temperature Controls – Offer maximum style and convenience.
- Vegetable/Fruit Crisper – Provides the ideal storage environment for your fruits and vegetables.
- Electronic Icemaker – Makes ice automatically, ensuring a ready supply.
- Gallon Door Storage – Makes room for milk and any other gallon size containers.
- Dual-Level Lighting – Puts far-corner containers into clear view.
- Model HTS18JCPWW – White on white
- Model HTS18JCPCC – Bisque on bisque