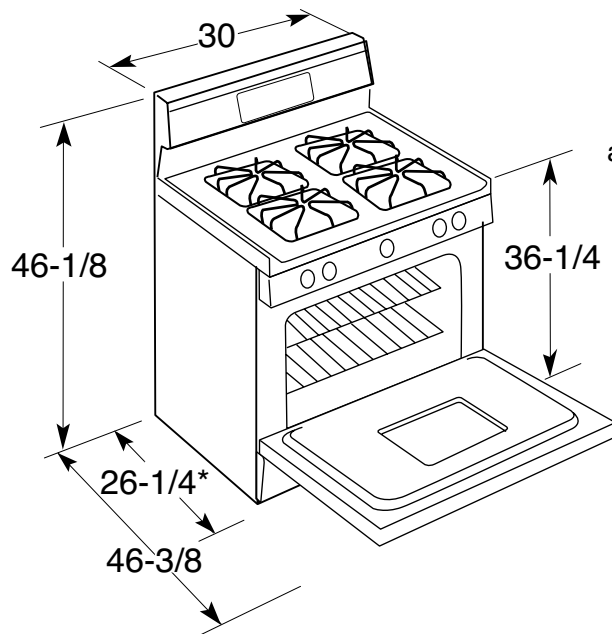


HOTPOINT®

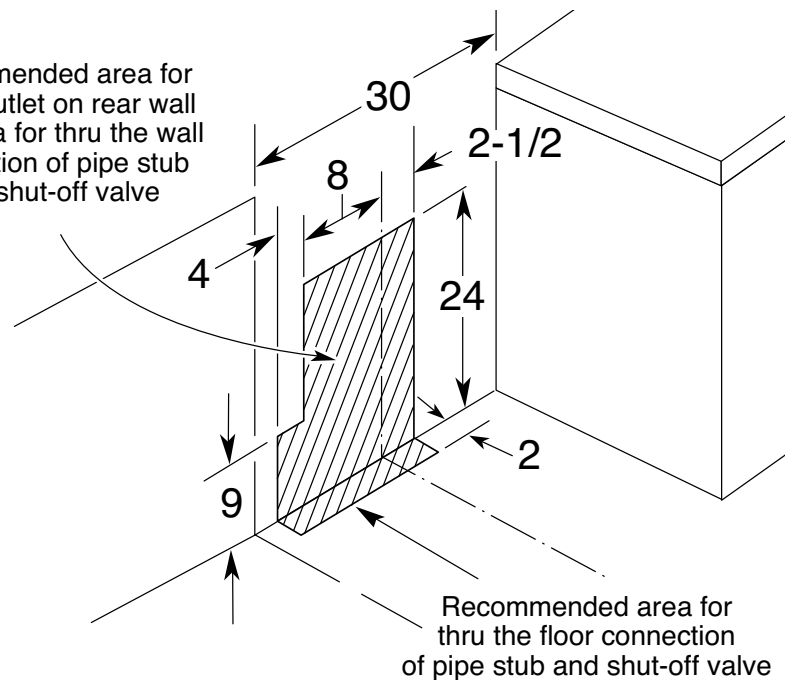
RGB790DET – Hotpoint 30" Free-Standing Gas Range

Dimensions (in inches)



30" Gas Range Installation Information (in inches)

Recommended area for 120V outlet on rear wall and area for thru the wall connection of pipe stub and shut-off valve



Installation Information: Before installing, consult installation instructions packed with product for current dimensional data.

Optional gas range accessory drip pans:

(Available at additional cost)
To order these accessory drip pans, call toll-free 800-626-2002.

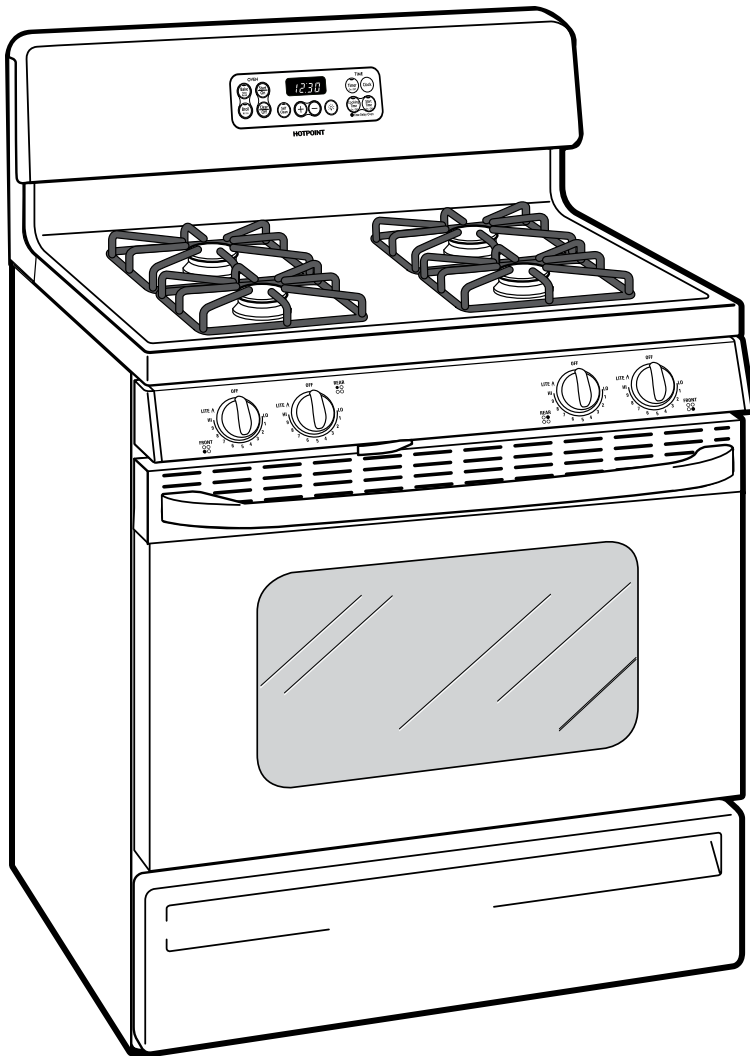


All Hotpoint ranges are equipped with an Anti-Tip device. The installation of this device is an important, required step in the installation of the range.



HOTPOINT®

RGB790DET – Hotpoint 30" Free-Standing Gas Range



Features and Benefits

- Self-clean oven - Self-clean allows you to spare yourself from the trouble and effort it takes to scrub the oven interior
- Extra-large oven capacity - Enough room to cook an entire meal at once
- Sealed cooktop burners - Burner elements are sealed to the cooktop to keep foods and liquid contained on the cooktop, making cleaning painless
- Performance plus burner - This 13,000 BTU burner element provides the high heat ideal for frying or sautéing and fast heat-up
- Simmer setting - Simmer setting allows for low, even heat distribution for delicate foods and sauces
- All purpose burners - All-purpose burner delivers two levels of BTU output to accommodate virtually all your cooking needs
- Two oven racks - Includes two oven racks that are sturdy and reliable
- Porcelain upswept cooktop - Raised edges and porcelain-enameled surface makes cleaning incredibly easy
- Model RGB790DETB - Black on black

Specification Created 6/11

430166