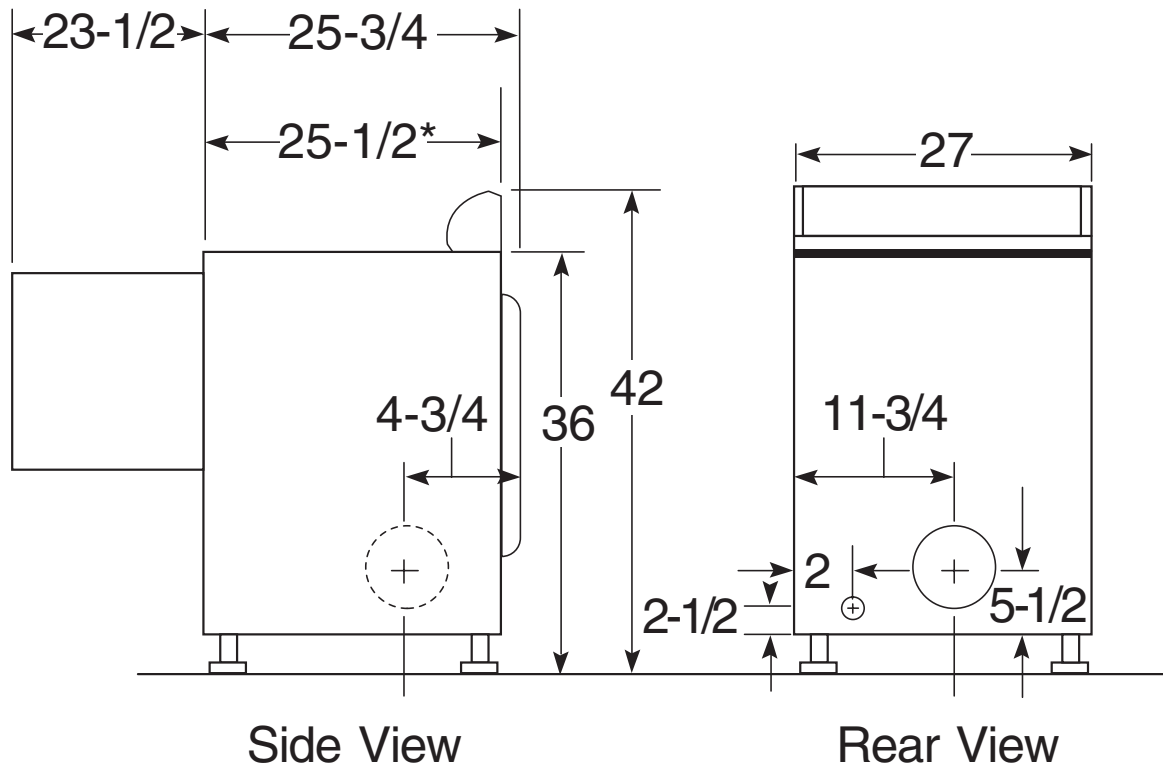


HOTPOINT®

NVL333EBWW/CC – Hotpoint 5.7 Cu. Ft. Extra-Large Capacity Electric Dryer

Dryer Dimensions (in inches)



*24-1/2" from the edge of the side panel to the front.
25-1/2" from front to edge of end caps.

Exhaust Options:

4-way via rear, right, left and bottom.

Circuit Requirements:

An individual, properly-grounded branch circuit, protected by a 30-amp circuit breaker or a time-delay fuse, is required.

Electric Dryer Rating:

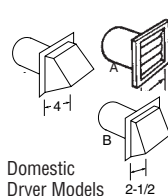
208/240V, 5600W, 60Hz, 24 Amp

Installation Information: For complete information, see installation instructions packed with product for current dimensional data.



NVL333EBWW/CC – Hotpoint 5.7 Cu. Ft. Extra-Large Capacity Electric Dryer

Dryer Exhausting Information – Use Metal Duct Only Vertical and Horizontal Ducting



Domestic Dryer Models	Number of 90° Turns	Best Performance			
		Maximum Length of 4" Dia. Rigid Metal Duct		Maximum Length of 4" Dia. Flexible Metal Duct	
		Exhaust Hood Type		Exhaust Hood Type	
		A 4" Opening	B 2-1/2" Opening	A 4" Opening	B 2-1/2" Opening
7.3 Capacity Electric and Gas Dryers	0	150 ft.	127 ft.	75 ft.	52 ft.
	1	140 ft.	117 ft.	65 ft.	42 ft.
	2	130 ft.	107 ft.	55 ft.	32 ft.
	3	120 ft.	97 ft.	45 ft.	22 ft.
	4	110 ft.	87 ft.	35 ft.	12 ft.
7.0 and 6.0 Capacity Models all Electric Dryers	0	90 ft.	60 ft.	55 ft.	45 ft.
	1	60 ft.	45 ft.	40 ft.	30 ft.
	2	45 ft.	35 ft.	30 ft.	20 ft.
	3	35 ft.	25 ft.	20 ft.	15 ft.
	4	25 ft.	15 ft.	15 ft.	10 ft.
7.0 and 6.0 Capacity Models all Gas Dryers	0	90 ft.	60 ft.	55 ft.	45 ft.
	1	60 ft.	45 ft.	40 ft.	30 ft.
	2	45 ft.	35 ft.	30 ft.	20 ft.
	3	35 ft.	25 ft.	20 ft.	15 ft.
	4	0	60 ft.	48 ft.	30 ft.
5.7 Capacity Electric and Gas Dryers	1	52 ft.	40 ft.	22 ft.	14 ft.
	2	44 ft.	32 ft.	14 ft.	10 ft.
	3	32 ft.	24 ft.	—	—
	4	28 ft.	16 ft.	—	—

Special Installation Requirements

Alcove or Closet Installation:

- If your dryer is approved for installation in an alcove or closet, it will be stated on a label on the dryer back.
- The dryer MUST be exhausted to the outside.
- Minimum clearances between dryer cabinet and adjacent walls or other surfaces are:
0" either side
3" front and rear
- Minimum vertical space from floor to overhead cabinets, ceilings, etc. is 52".
- Closet doors must be louvered or otherwise ventilated and must contain a minimum of 60 sq. in. of open area equally distributed. If this closet contains both a washer and a dryer, doors must contain a minimum of 120 sq. in. of open area equally distributed.
- No other fuel-burning appliance shall be installed in the same closet with a gas dryer.

Bathroom or Bedroom Installation:

- The dryer MUST be exhausted to the outdoors.
- The installation must conform with the local codes, or in the absence of local codes, with the National Fuel Gas Code, ANSI Z223.

Minimum Clearances other than Alcove or Closet Installation:

- Minimum clearances to combustible surfaces
0" both sides
3" rear

Specification Revised 7/04

470131

Dryer exhausting information

For complete information see installation instructions packed with dryer.

Important note:

GE Kit Number 14-A018 needed when converting rear exhaust to bottom or side.
(On Extra-large (5.7) capacity models only.)

Ducting materials

For best performance, this dryer should be vented with 4" diameter all rigid metal exhaust duct. If "all rigid metal" duct cannot be used, then "flexible all metal" venting can be used, but it will reduce the maximum recommended duct length. The following kit or parts are available from your local service organization.
Kit WX8X75 – 7' aluminum duct and 4' hood, short tail.

(OR individual parts):

- WX8X65 7' aluminum flex duct only
- WX8X58 4' clamps (2)
- WX8X67 4' exhaust hood

See installation instructions for complete information.

Exhaust length calculation:

1. Determine the number of 90° turns needed for your installation. If you exhaust to the side or bottom of dryer, add one turn.
2. The maximum length of 4' rigid (aluminum or galvanized) duct which can be tolerated is shown in the table. The maximum lengths for flexible ducts are less than for rigid duct.
See table in installation instructions. A turn of 45° or less may be ignored. Two 45° turns within the duct length should be treated as a 90° elbow. A turn over 45° should be treated as a 90° elbow.

Exhausting the dryer to the outside is strongly recommended to prevent large amounts of moisture and lint from being blown into the room. Gas dryers or any dryer located in a closet must be exhausted to the outside.

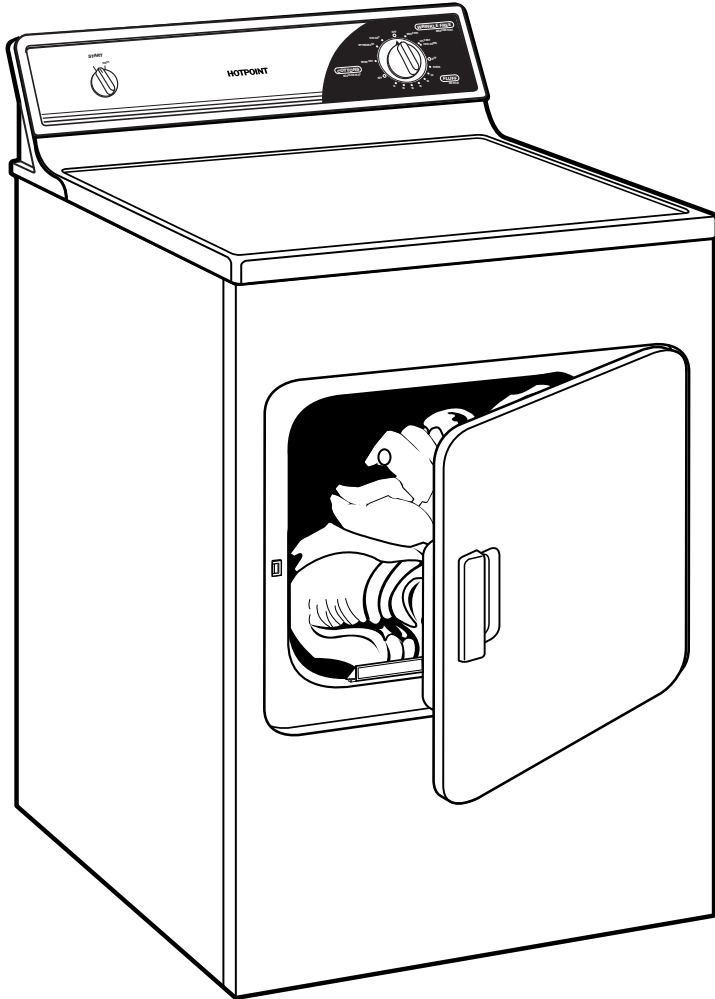
Caution: For personal safety do not terminate exhaust into a chimney, under any enclosed house floor (crawl space), or into an attic, since the accumulated lint could create a fire hazard or moisture could cause damage. Never terminate the exhaust into a common duct or plenum with a kitchen exhaust, since the combination of lint and grease could create a fire hazard.

Exhaust ducts should be terminated in a dampered wall cap to prevent back drafts, bird nesting, etc. The wall cap must also be located at least 12" above the ground or any other obstruction with the opening pointed down. Other terminations, such as louvered wall boxes, are acceptable provided they are equivalent to a 4" opening dampered wall cap.



HOTPOINT®

NVL333EBWW/CC – Hotpoint 5.7 Cu. Ft. Extra-Large Capacity Electric Dryer



Features and Benefits

- Extra-Large (5.7 cu. ft.) Capacity
- Auto Dry Control
- 3 (Timer) Heat Selections
- 3 Cycle Selections: Cottons-More/Less Dry; Wrinkle Free-More/Less Dry with Cool Down; Timed Dry (70 Mins-Fluff)
- Quiet-By-Design™ Performance
- Front Serviceable
- Model NVL333EBWW – White on white (Electric)
- Model NVL333EBCC – Bisque on Bisque (Electric)
- Model NVL333GBWW – White on white (Gas)
- Model NVL333GBCC – Bisque on bisque (Gas)