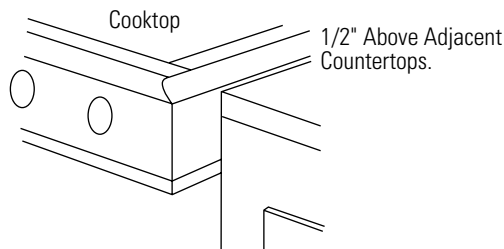




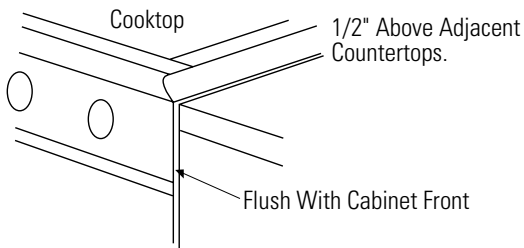
Monogram™

ZGU36N6DSS—36" Professional Gas Cooktop

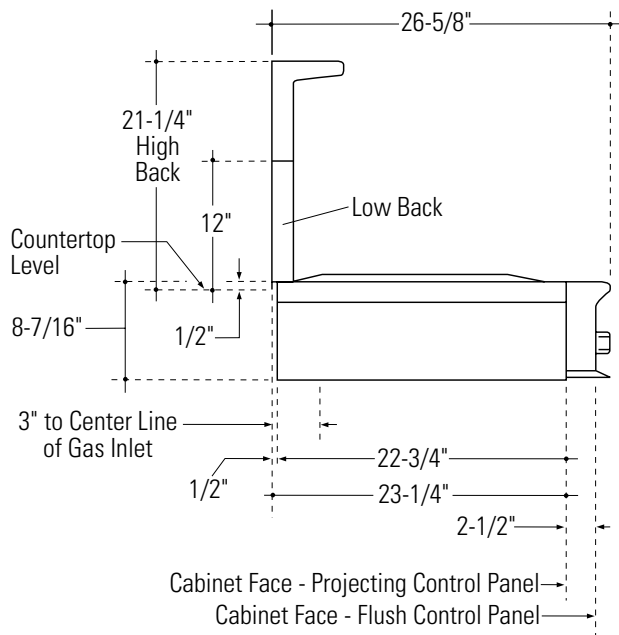
Dimensions and Specifications (in inches)



Front Projects Outward as Shown From Standard Depth Cabinets.



Front Flush With Cabinets - a Minimum of 25-3/4" Cabinet Depth Required



This cooktop is factory set for natural gas and has 6 gas burners.

Liquid Propane Gas Model Also Available:

ZGU36L6YSS—6 gas burners.

Installation Options:

This cooktop can be installed in standard 24" or deeper 25" cabinets.

- In 24" deep cabinets, the front of the cooktop will project approximately 1-7/8" beyond the front of the countertop.
- In 25" deep cabinets, the cooktop will be flush with the front of the countertop
- The stainless surface of the cooktop will be 1/2" higher than adjacent countertop.

Accessory Requirements:

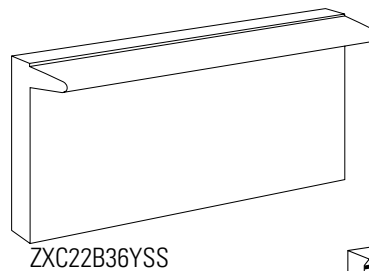
All models **require** the installation of a backguard. A backguard should be ordered at the same time as the cooktop. Both should be on site before cabinetry has been installed.

Order one backguard:

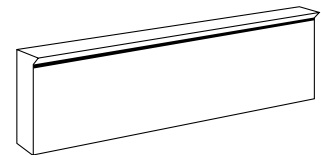
ZXC1B36YSS—1-1/2" high backguard (required for island installations)

ZXC12B36YSS—12" high backguard

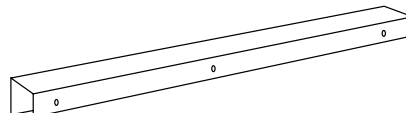
ZXC22B36YSS—22" high backguard with warming shelf (2 piece)



ZXC22B36YSS



ZXC12B36YSS



ZXC1B36YSS

For answers to your Monogram,® GE Profile™ or GE appliance questions, visit our website at GEAppliances.com or call GE Answer Center® service, 800.626.2000.

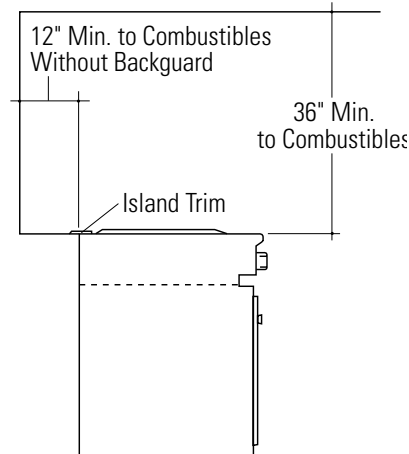
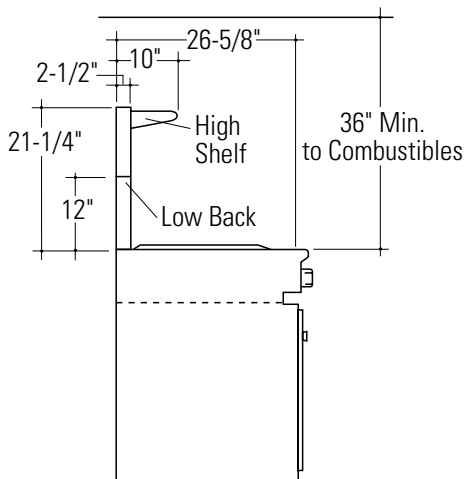
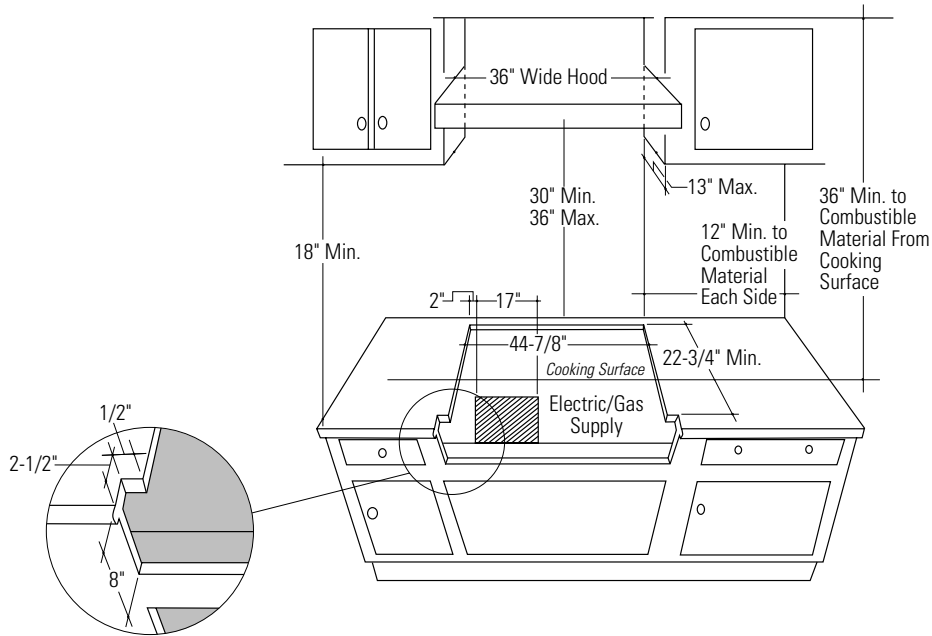




Monogram™

ZGU36N6DSS—36" Professional Gas Cooktop

Dimensions and Specifications (in inches)



Advance Planning:

Refer to "Dimensions and Clearances" for appropriate placement and necessary clearances when planning the installation.

- Cabinetry cannot be installed directly above the cooktop.
- This cooktop requires the installation of a vent hood, 30" to 36" above the surface.
 - The vent hood must be at least 24" deep.
 - The vent hood must be the same width as the cooktop.
 - The 36" vent hood must provide at least 600CFM and up to 800CFM.
- Working areas adjacent to the range should have 18" minimum clearance between countertop and cabinet bottom.
- Clearance between cooktop and side wall or combustible material must be at least 12" on each side.
- This cooktop requires 8" free space below the countertop.
- If the cooktop is installed in an island:
 - Allow 12" min. clearance at the back to combustible materials.
 - Allow 36" min. above the cooking surface to combustible materials.
- Installation must conform with local codes. In the absence of local codes, the gas cooktop must comply with the National Fuel Gas Code, ANSI Z223.1, latest edition.

A.G.A. approved

For answers to your Monogram® GE Profile™ or GE appliance questions, visit our website at GEAppliances.com or call GE Answer Center® service, 800.626.2000.

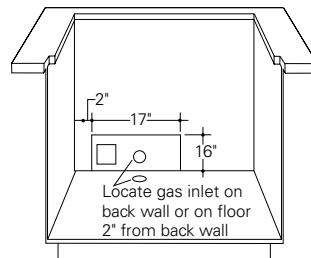
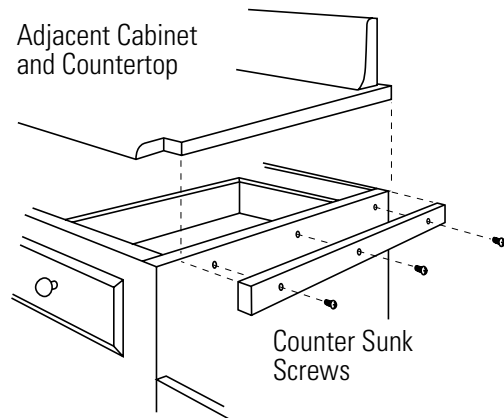
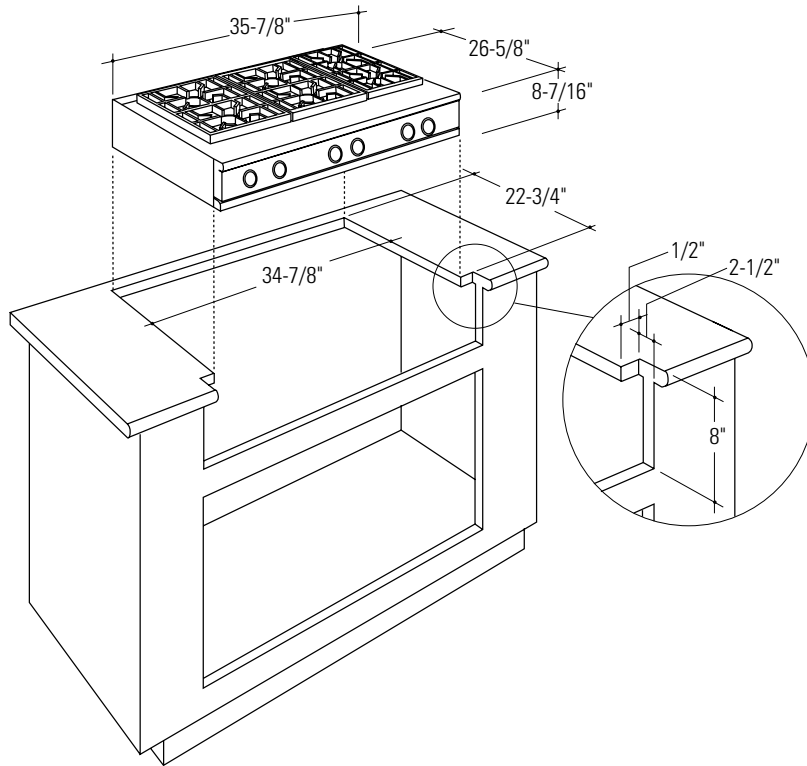




Monogram™

ZGU36N6DSS—36" Professional Gas Cooktop

Dimensions and Specifications (in inches)



Cutting the Countertop Opening:

Measure carefully when cutting the countertop. Make sure sides of the opening are parallel.

- This Monogram™ gas cooktop is designed to fit in 36" or larger base cabinet.
- This cooktop requires 8" free space below the countertop.
- The cooktop is designed to hang from the countertop from its side flanges.
- Smooth any rough edges on the countertop before installing cooktop.
 - Formica countertop edges must be finished.

The countertop must be strong enough to support the weight of the cooktop.

- Support cleats can be secured to cabinet sides **OR** build a support deck or box inside the cabinet which will support the weight of the cooktop.
 - Build the support box using a solid material, cut a 5" x 5" square in the left rear corner for the gas inlet and power cord clearances.

Installation Information:

Before installing, consult installation instructions (Pub. No. 49-8812) packed with product for current dimensional data.

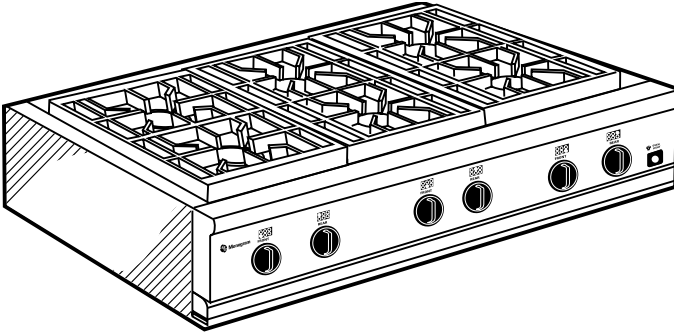
For answers to your Monogram®, GE Profile™ or GE appliance questions, visit our website at GEAppliances.com or call GE Answer Center® service, 800.626.2000.





Monogram™

ZGU36N6DSS—36" Professional Gas Cooktop



Features and Benefits

- Stainless Steel Model
- Natural Gas
- 36" Gas Cooktop
- Six (15,000/500 BTU) Dual-Ring Gas Burners
- Cast-Iron, Porcelanized Burner Grates
- Stainless Steel, Slide-Out Drip Tray
- Electronic Ignition with Automatic Re-Ignition
- Commercial-Style Controls
- Model ZGU36N6DSS—Natural Gas
- Model ZGU36L6DSS—Liquid Propane Gas