

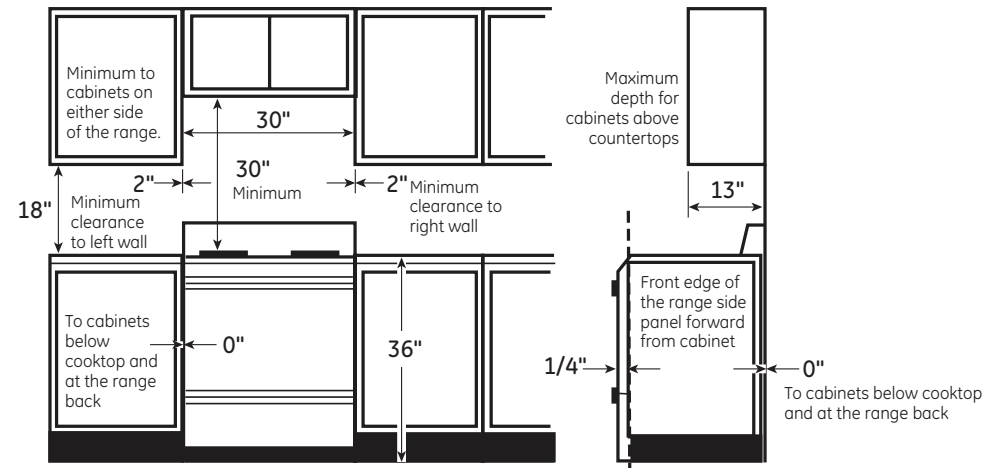
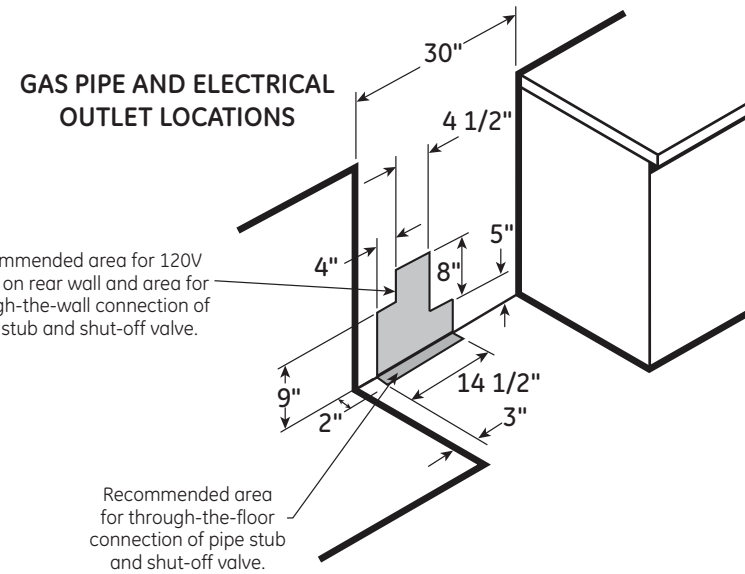
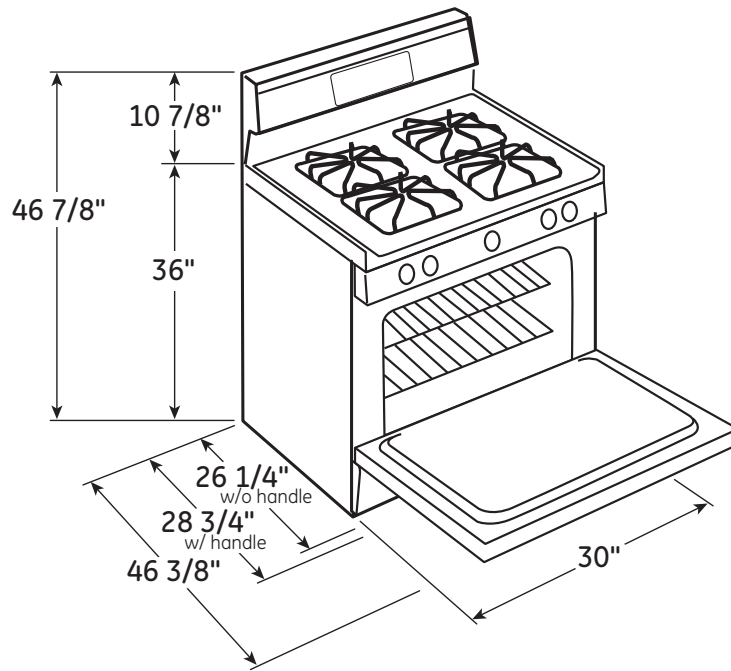
# RGB780DEH

## Hotpoint® 30" Free-Standing Gas Range

### DIMENSIONS AND INSTALLATION INFORMATION (IN INCHES)

**ELECTRICAL RATING:** 120V, 60Hz, 15A

Installation Information: Before installing, consult installation instructions packed with product for current dimensional data.



**GE APPLIANCES**

For answers to your Monogram, GE Profile™ Series or GE® Series appliance questions, visit our website at [geappliances.com](http://geappliances.com) or call GE Answer Center service, 800.626.2000.



All GE ranges are equipped with an Anti-Tip device. The installation of this device is an important, required step in the installation of the range.



# RGB780DEH

## Hotpoint® 30" Free-Standing Gas Range

### FEATURES AND BENEFITS

Self-Clean Oven – Cleans the oven cavity without the need for scrubbing

4.8 cu. ft. Oven Capacity – Enough room to cook an entire meal at once

Sealed Cooktop Burners – Contain spills and make cleaning quick and easy

Simmer Burner – Provides low, even heat distribution for delicate foods and sauces

12,500 BTU Burner – Quickly produces high heat

Heavy Steel Grates – Heavy-duty steel grates deliver the highest level of cooktop performance

In-Oven Broil – Healthy meals are hassle-free with in-oven broiling

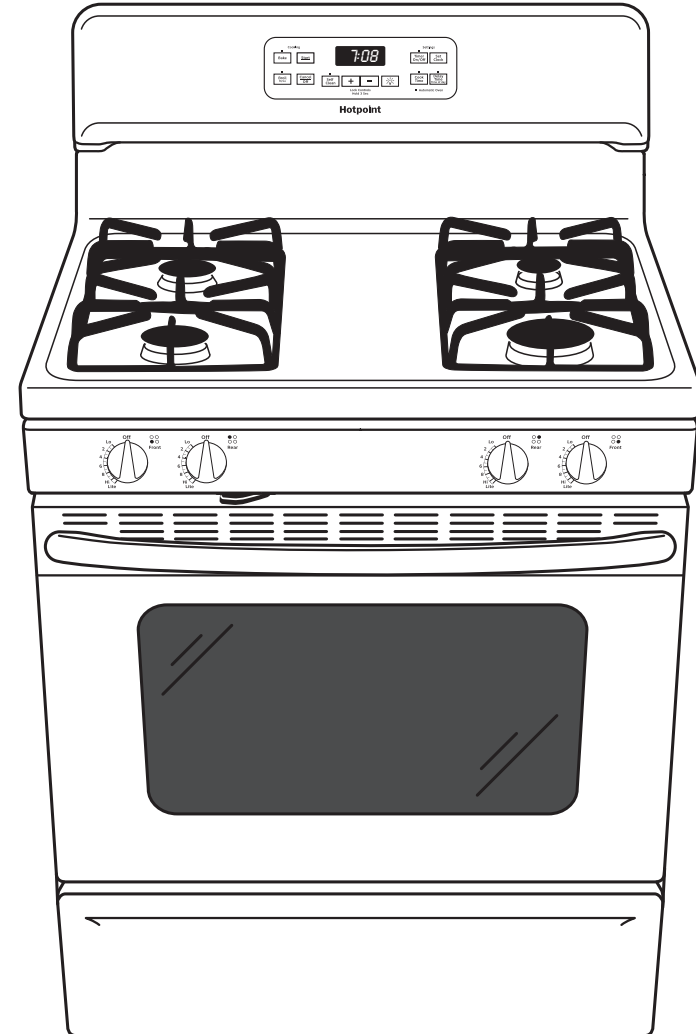
Two Oven Racks – Durable to securely hold any cookware

Electronic Pilotless Ignition – Provides reliable burner ignition operation, eliminating the need for a standing pilot

Model RGB780DEHBB – Black on black

Model RGB780DEHWW – White on white

Model RGB780DEHCC – Bisque on bisque



GE APPLIANCES